



American Hakko Products, Inc.

# PRODUCT BULLETIN

**Bulletin No:** PB487

**Issue Date:** 12-10-2024

**Effective Date:** 12-10-2024

**Description/Title:**

New CHP Fiber Optics Tools

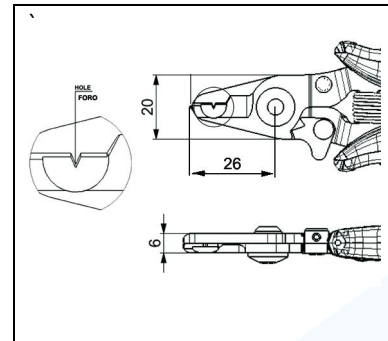
**Part No:**

CSF-1, CSF-1-125, CSF-3, CS-KC, K2-1, SC-6/8, SC-6/8-KIT

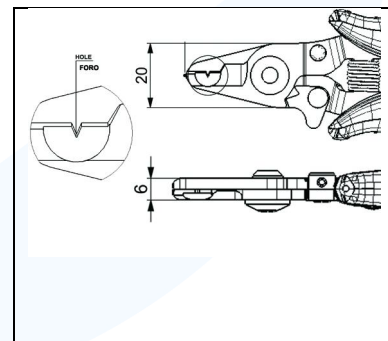
**Specification:**



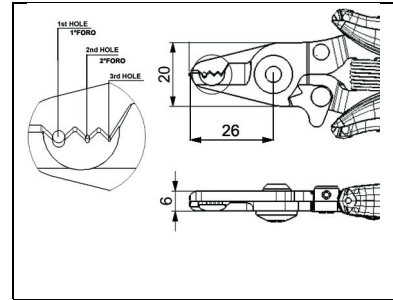
Part No.	CSF-1
Type	Fiber Optic Stripper
Capacity (Adjustable)	Down to 0.5mm $\varnothing$ (0.02in.)
Material	C70 Steel
Steel Thickness	3mm (0.118 in.)
Overall Length	145mm (5.7 in.)
Weight	83g (2.9 oz.)



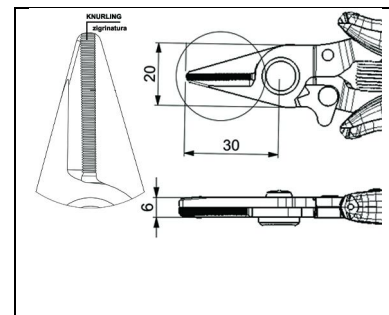
Part No.	CSF-1-125
Type	Fiber Optic Stripper
Capacity (Fixed)	Down to 125 microns $\varnothing$ (0.005in.)
Material	C70 Steel
Steel Thickness	3mm (0.118 in.)
Overall Length	145mm (5.7 in.)
Weight	83g (2.9 oz.)



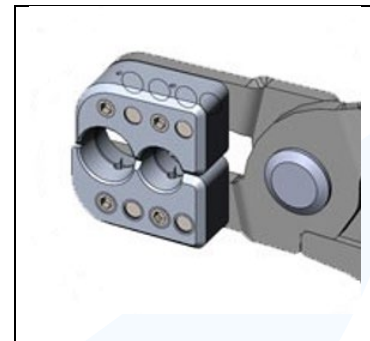
Part No.	CSF-3
Type	Fiber Optic Stripper
Capacity (Fixed)	
• Hole 1 (Sheath)	1.6 – 3.0 mm $\varnothing$ (0.06 – 0.12 in.)
• Hole 2 (Buffer)	600 - 900 microns $\varnothing$ (0.024 – 0.035 in.)
• Hole 3 (Acrylate)	250 – 125 microns $\varnothing$ (0.01in.)
Material	C70 Steel
Steel Thickness	3mm (0.118 in.)
Overall Length	145mm (5.7 in.)
Weight	83g (2.9 oz.)



Part No.	CS-KC
Type	Serrated Shear
Material	C70 Steel
Steel Thickness	3mm (0.118 in.)
Overall Length	145mm (5.7 in.)
Weight	80g (2.8 oz.)



Part No.	SC-6/8
Type	Sheath Cutter
Capacity (Max.)	6 – 8mm $\varnothing$ (0.236 – 0.315 in.)
Material	C70 Steel
Steel Thickness	3mm (0.118 in.)
Cutting Blades	Steel – Top + Bottom
Overall Length	170mm (6.7 in.)
Weight	130g (4.6 oz.)



Part No.	K2-1
Contents	<ul style="list-style-type: none"> <li>• CSF-3</li> <li>• CS-KC</li> </ul>
Dimensions	200 x 100 x 30 mm (7.9 x 3.9 x 1.2 in.)
Weight	200g (7.1 oz.)



Part No.	SC-6/8-KIT
Contents	<ul style="list-style-type: none"> <li>• 4 – Steel Cutting Blade</li> <li>• 1 – 1 mm Ø x 25mm Pin</li> <li>• 1 – Hex Wrench</li> </ul>
Dimensions	108 x 64 x 3 mm (4.3 x 2.5 x 0.1 in.)
Weight	3.6g (0.13 oz.)



**Comments:**

These new CHP hand tools are specifically designed for working with fiber optic cables and are made from C70 steel that is quenched and tempered to harden the steel and features an anti-reflective and anti-oxidation surface treatment and a closure lock. Each tool uses the ergonomic dolphin grip, which provides a comfortable anti-slip handle that reduces strain on the user’s hand and includes an integrated return spring to minimize hand fatigue.

The CSF-1 Fiber Optic Stripper has a single hole that is ideal for the most common fiber optic cables and has an adjustable stop for stripping down to a core size of 0.5mm maximum.

The CSF-1-125 Fiber Optic Stripper also has a single hole but is designed for removing the coating of the core without damaging the cladding. The hole has a set diameter of 125 microns when closed thanks to a factory set stop.

The CSF-3 Fiber Optic Stripper is a multi-tool in that there are three different holes, each designed for the three different parts of the typical fiber optic cable. The first hole is used for removing the cable sheath and can support cables with diameters from 1.6mm to 3mm. The second hole is used for removing the buffer inside the cable, which is typically between 600 microns to 900 microns across. The third hole is used for removing the coating of the core without damaging the cladding, leaving the 125 microns core untouched, all thanks to the factory set stop.

The CS-KC Shear is for fiber optic cables that include aramid yarn like Kevlar or other synthetic fibers for strength. The shear provides a precise cut using a serrated edge for cutting the material.

The K2-1 Kit is a convenient two-tool kit that contains the CSF-3 and the CS-KC tools in a durable tool pouch you can attach to your belt.

The SC-6/8 Sheath Cutter is a special tool used to cut windows into the outer sheath of vertical Fiber-To-The-Home cabling such as distribution breakout cables with multiple subunits. The tool has two openings for cables with an outside diameter of 6mm or 8mm. Each opening has a steel blade that is inserted in the top and bottom jaw so that the sheath can be easily opened to access the subunits inside the cable.



The SC-6/8-KIT is a replacement blade kit for the SC-6/8 Sheath Cutter and includes 4 blades, a small 1mm diameter pin for removing and inserting the blades, and a small hex wrench used for the set screws that hold the blades in position.

For more information, please visit [www.HakkoUSA.com](http://www.HakkoUSA.com) or call 1-800-88-HAKKO (42556)