



American Hakko Products, Inc.

PRODUCT BULLETIN

Bulletin No: PB489

Issue Date: 2-4-2025

Effective Date: 2-4-2025

Description/Title:

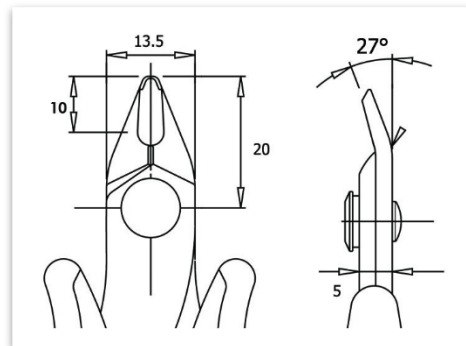
New CHP-170 Cutter with pink grips

Part No:

CHP-170-PINK

Specification:

Part No.	CHP-170-PINK
Cut Type	Flush
Cutting Capacity	1.3mm \varnothing (16 AWG) copper wire
Material	High Carbon Steel
Steel Thickness	2.5mm (0.098 in.)
Overall Length	Approx. 138mm (5.4 in.)
Weight	62g (2.2 oz.)



Comments:

The new CHP-170-PINK cutter is a high-quality and economical cutter that is arguably the most popular flush-cutting tool in the electronics manufacturing industry. Due to its popularity from HAKKO Fights™, our program to support healthcare research and provide hope and support to those in need, we are making this color grip a standard available any time of the year.

For more information, please visit www.HakkoUSA.com or call 1-800-88-HAKKO (42556)