

Thank you for purchasing the HAKKO FM-2030 Soldering Iron. Please read this manual before operating the HAKKO FM-2030. Keep this manual readily accessible for reference.

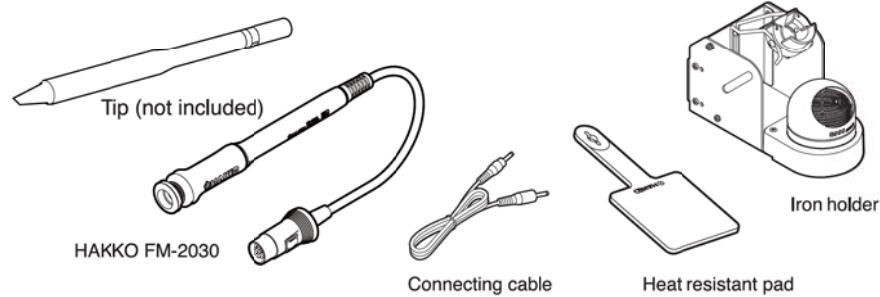
**CAUTION**

Please refer to the instruction manual of the HAKKO FM-206 Rework System or HAKKO FM-203 Soldering Station when used in conjunction with the HAKKO FM-2030.

### 1. PACKING LIST AND PART NAMES

Please check to make sure that all items listed below are included in the package.

HAKKO FM-2030	1	Iron holder	1
Heat resistant pad	1	Connecting cable	1



### 2. SPECIFICATIONS

**HAKKO FM-2030**

Power Consumption	140W (24V)
Tip to Ground Resistance	< 2 Ω
Tip to Ground Potential	< 2 mV
Length of cord	1.3 m (4.3 ft)
Length (w/c cord)	224 mm (8.8 in.) with 2.4D tip
Weight (w/c cord)	41 g (0.09 lb.) with 2.4D tip

\*Specifications and design are subject to change without notice.  
\*This product is protected against electrostatic discharge.

### 3. COMPATIBLE STATIONS

Use the HAKKO FM-2030 with the HAKKO FM-206 station or the HAKKO FM-203 station.

**NOTE :**  
That use with the HAKKO FM-203 station may require a station upgrade. Contact your HAKKO factory representative for more information.

**Electrostatic Protection**

This product includes such features as electrically conductive plastic parts and grounding of the handpiece and station as measures to protect the device to be soldered from the effects of static electricity. Be sure to observe the following instructions:

- The handle and other plastic parts are not insulators, they are conductors. When making repairs or replacing parts, take sufficient care not to expose live electrical parts or damage insulation materials.
- Be sure to ground the unit during use.

※ 各言語（日本語、英語、中国語、フランス語、ドイツ語、韓国語）の取扱説明書は以下のURL、HAKKO Document Portalからダウンロードしてご覧いただけます。  
（商品によっては設定の無い言語がありますが、ご了承ください）  
• 各言語（日本語、英語、中文、法語、ドイツ語、韓国語）の使用説明書は以下のURLのHAKKO Document Portal からダウンロードしてください。  
（一部の製品は設定外語対応、請見録）  
• Instruction manual in the language of Japanese, English, Chinese, French, German and Korean can be downloaded from the HAKKO Document Portal.  
(Please note that some languages may not be available depending on the product.)

<https://doc.hakko.com>

### 4. WARNINGS, CAUTIONS, NOTES AND EXAMPLES

**WARNING**

Warnings, cautions and notes are placed at critical points in this manual to direct the operator's attention to significant items. They are defined as follows:

- WARNING:** Failure to comply with a WARNING may result in serious injury or death.
- CAUTION:** Failure to comply with a CAUTION may result in injury to the operator, or damage to the items involved.
- NOTE:** A NOTE indicates a procedure or point that is important to the process being described.

**CAUTION**

When power is ON, tip temperature will be between 200°C and 500°C (400 to 930°F). To avoid injury or damage to personnel and items in the work area, observe the following :

- Do not touch the tip or the metal parts near the tip.
- Do not allow the tip to come close to, or touch, flammable materials.
- Inform others in the area that the unit is hot and should not be touched.
- Turn the power off when not in use, or left unattended.
- Turn the power off when changing parts or storing the HAKKO FM-2030.
- This appliance is not intended for use by persons (including children) with reduced physical, sensory or mental capabilities, or lack of experience and knowledge, unless they have been given supervision or instruction concerning use of the appliance by a person responsible for their safety.
- Children should be supervised to ensure that they do not play with the appliance.

- Do not use the HAKKO FM-2030 for applications other than soldering.
- Do not strike the iron against hard objects to remove excess solder. This will damage the iron.
- Do not modify the unit.
- Use only genuine HAKKO replacement parts.
- Do not allow the HAKKO FM-2030 to become wet, or use it when hands are wet.
- Be sure to hold the plug when inserting or removing the iron cord.
- Since smoke is produced when using the HAKKO FM-2030, be sure the work area is well ventilated.
- While using the HAKKO FM-2030, do not do anything which may cause bodily harm or physical damage.

### 5. INITIAL SETUP

**Connection**

**CAUTION**

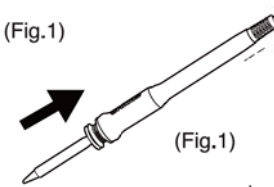
The tip may be hot. Avoid holding the hot tip for a long time even if using the heat resistant pad. Otherwise burns may result.

**A. Insert the tip**

Insert the tip into the HAKKO FM-2030 until it stops. (Fig.1)

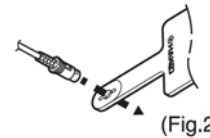
**NOTE :**

Please use only T22 Series Tips.  
The attempted use of other tips may damage the product and/or station.



**B. Soldering iron**

Pass the iron cord through the hole in the heat resistant pad. (Fig.2)

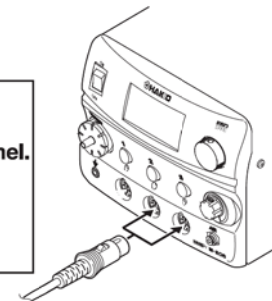


**C. Station**

- If used in conjunction with HAKKO FM-203  
Connect the cord assembly of the HAKKO FM-2030 to channel D connector of HAKKO FM-203.
- If used in conjunction with HAKKO FM-206  
Connect the cord assembly of the HAKKO FM-2030 to channel 2 or channel 3 connector of HAKKO FM-206.

**NOTE :**

The HAKKO FM-203 has 2 channels ; D and S channel.  
The HAKKO FM-2030 can be connected to only the D channel.  
The HAKKO FM-206 has 3 channels ; 1, 2 and 3 channel.  
The HAKKO FM-2030 can be connected to channel 2 or 3.  
Refer to the HAKKO FM-203/FM-206 instruction manual for details of operation.



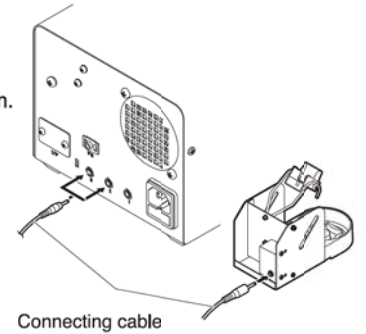
**CAUTION**

- When connecting or disconnecting the cord assembly, hold the plug.
- Be sure to turn off the power switch before connecting or disconnecting the cord assembly for the handpiece to and from the receptacle to avoid damaging the unit.

### 5. INITIAL SETUP

**Use of the sleep function**

When using the sleep function, insert one end of the connecting cable into the jack at the back of the handpiece holder and the other end into the jack at the back of the station to connect them.



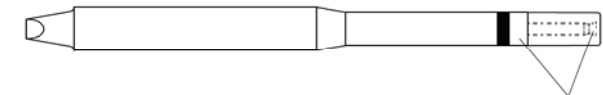
**CAUTION**

- Please make sure the power is off when you plug in cables.
- Please make sure to hook up the connector cable and the iron holder on the same channel and not to place the iron in a holder connected to a differing channel.

### 6. OPERATION

For operation, please refer to the appropriate sections of the HAKKO FM-203/HAKKO FM-206 User Manual.

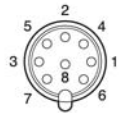
### 7. CHECKING PROCEDURE



Measure the resistance across these positions.

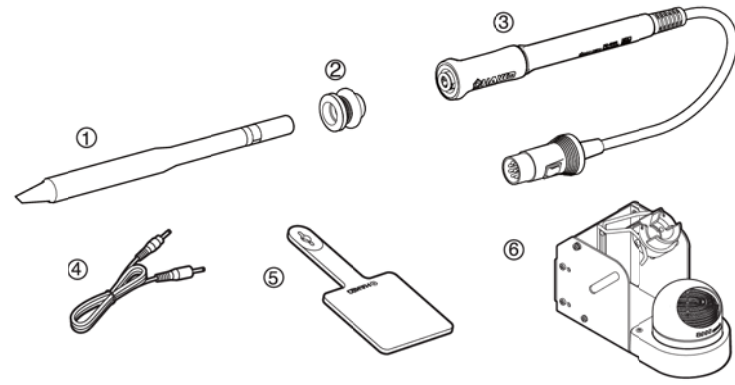
- Check for a broken heater  
Check the heating element for electric fault.  
Measure the heater element at room temperature (15 to 25°C; 59 to 77°F).  
Normal resistance value is 4Ω ±10%. If resistance value is abnormal, replace the tip with a new one.

- Check the grounding line.  
If the resistance value is higher than 2Ω (at room temperature), remove the black oxide or replace the tip with a new one.  
If the resistance value still does not decrease, check the connection cord for breakage.



- Checking the connection cord for breakage.  
Measure the resistance between the connector pins.  
Between pin 1 and pin 3: 3.6 to 4.4Ω.  
If the resistance value is different from the above values, replace the HAKKO FM-2030.

## 8. PARTS LIST

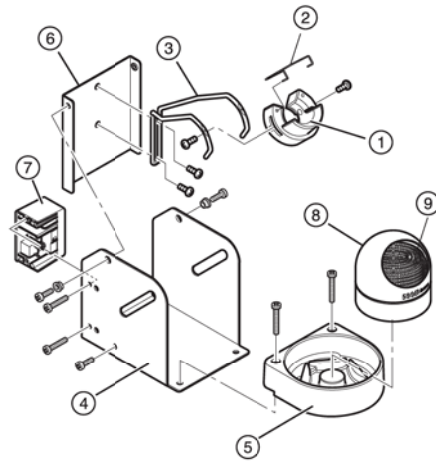


### ●HAKKO FM-2030

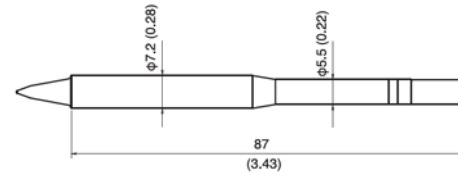
Item No.	Part No.	Part Name	Specifications
①		Tip	See "TIP STYLES"
②	B3687	Nipple	With O-ring
② ③	FM2030-01	HAKKO FM-2030	24V-140W
② ③ ④ ⑤ ⑥	FM2030-02	HAKKO FM-2030	24V-140W Conversion kit
④	B3253	Connecting cable	
⑤	B2300	Heat resistant pad	
⑥	FH200-01	Iron holder	

### ●Iron Holder

Item No.	Part No.	Part Name	Specifications
①	B3001	Iron receptacle	With screws
②	B2791	Retaining clip	
③	B3248	Holder for iron receptacle	
④	B3251	Iron holder base	With rubber foot
⑤	B3249	Cleaner base	With rubber foot
⑥	B3250	Stay	
⑦	B3252	Switch case assembly	
⑧	599B-02	Tip cleaner	
⑨	599-029	Cleaning wire	



## 9. TIP STYLES



Unit : mm (in.)

