



American Hakko Products, Inc.

PRODUCT BULLETIN


Bulletin No: PB432A
Issue Date: 3-8-2019
Effective Date: 4-1-2019

Description/Title:
 NEW HAKKO FT-802 Thermal Wire Stripper

Part No:
 FT802-03



Specification:

Model	FT-802
Part No.	FT802-03
Input Voltage	120 VAC 50/60 Hz
Power Consumption	76W Max
ESD Safe	Yes
Safety Approval	

Station:

Output Voltage	20 VAC
Dimensions (WxHxD)	76 x 159 x 161 mm (3.0 x 6.3 x 6.3 in.)
Weight	1.6 kg (3.53 lbs.)

Handpiece:

Model	FT-8004
Part No.	FT8004-81
Power Consumption	72W (20V)
Total Length (w/o cord, blade)	153mm (6.0 in.)
Length of Cord	1.6m (63.0 in.)
Weight (w/o cord, blade)	47g (0.1 lb.)

Blades:

Part No.	Description
G4-1601	Straight
G4-1602	AWG 18-28
G4-1603	AWG 26-38

Contents:

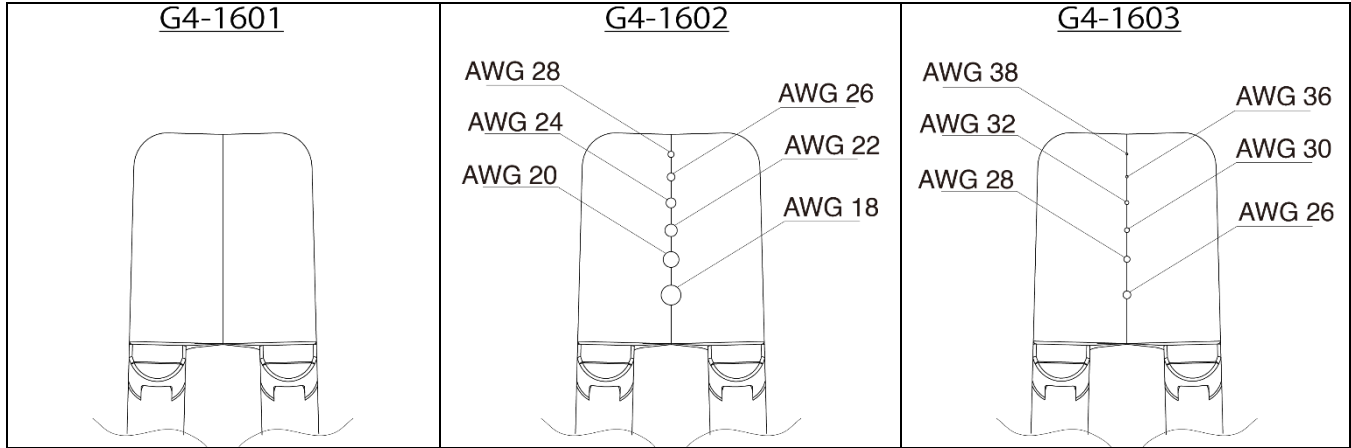
FT802-03 Thermal Wire Stripper	
Part No.	Description
--	FT-802 Station
FT8004-81	FT-8004 Handpiece Comes with: B5242 Lead Adjuster, Hexagon Wrench(1.27mm) and Hexagon Socket Set Screws (2pc)
B2419	Power Cord
--	Instruction Manual



American Hakko Products, Inc.

Specifications (continued):

G4 Blades



Comments:

The NEW Hakko FT-802 Thermal Wire Stripper will become available April 1, 2019 and will replace the FT-801 Thermal Wire Stripper. The FT-802 features an integrated handpiece holder on the top of the station to maximize workbench space while also providing a shield to prevent burns. The holder on top of the station also has a blade removal plate which allows users to remove the blades from the handpiece without touching them. The FT-802 maintains the same performance and features of the FT-801.

The New Hakko FT-8004 handpiece is an upgraded design from the FT-8002 handpiece. The FT-8004 has improved blade alignment with set screws that ensure the alignment maintains throughout the workday. The FT-8004 handpiece also has an ergonomic design and built in heat resistance. The FT-8004 uses G4 blades which are an upgrade from the G2 blades. The G4 blades boast an optimized edge for wire stripping with superior thermal performance that make wire stripping easier.

For more information, please visit www.HakkoUSA.com, e-mail Support@HakkoUSA.com, or call 1-800-88-HAKKO (42556).