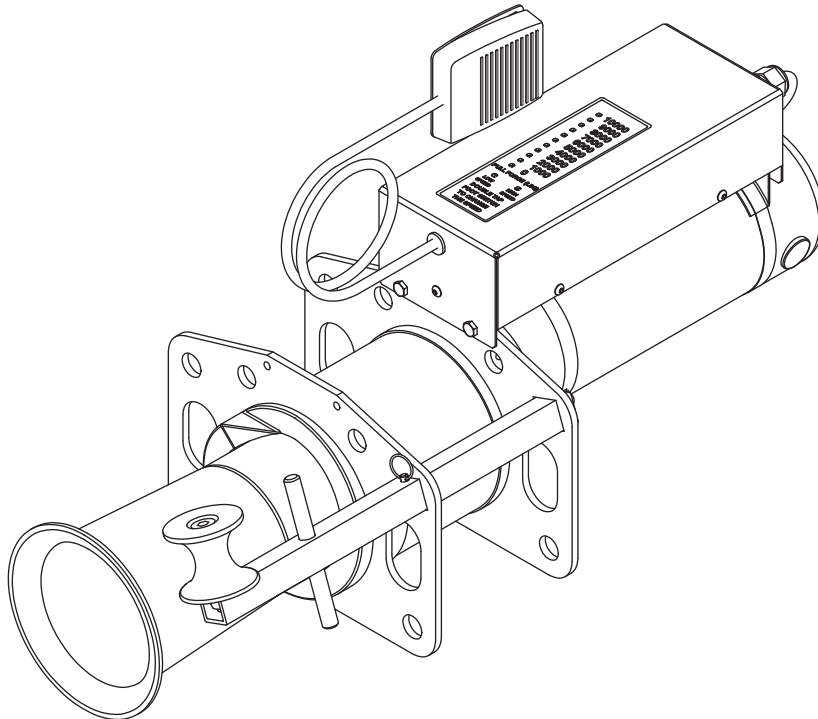


# INSTRUCTION MANUAL



Español..... 37  
Français..... 73

## UT10 Ultra Tugger<sup>®</sup> Cable Puller and Pulling Packages

Serial Codes ANB and BBD



**Read and understand** all of the instructions and safety information in this manual before operating or servicing this tool.

Register this product at [www.greenlee.com](http://www.greenlee.com)

## Table of Contents

Description .....	2	
Safety .....	2	
Purpose of this Manual .....	2	
General Safety Rules.....	3	
Specific Safety Rules and Symbols .....	4-7	
Grounding Instructions.....	7	
FUNCTIONAL DESCRIPTION		
Identification.....	8-9	
Specifications.....	10	
Cable Pulling Glossary .....	11	
Cable Pulling Principles.....	12-20	
Cable Pulling Systems.....	12	
Pulling Theory .....	13	
Cable Pulling Forces .....	14-18	
Tailing the Rope .....	19	
Summary of Cable Pulling Principles.....	20	
Planning the Pull.....	20	
ASSEMBLY		
Boom Assembly/Disassembly.....	21	
Boom Setup .....	22-25	
Up Pull Starting from Teepee Position.....	22	
Down Pull Starting from Teepee Position .....	23	
Horizontal Pull.....	24	
Single Boom Pull .....	24	
Boom Components .....	25	
Transporting the Boom.....	26	
OPERATION		
Boom Operation.....	27-28	
Puller Operation.....	29	
Removing Cable.....	30	
SERVICE.....	31	
Maintenance.....	31-32	
ACCESSORIES .....		33
Setup—Chain Mount.....	34-35	
Setup—Floor Mount.....	36	
Illustration and Parts Lists		
Ultra Tugger 10 .....	109-110	
Gearmotor.....	111-112	
Mobile Carriage and Boom.....	113-114	
Accessories .....	115	
Heavy-Duty Footswitch.....	116	

## Description

The Greenlee UT10 Ultra Tugger® Cable Puller is intended to be used to pull cable through conduit and in tray. The UT10 will develop 44.5 kN (10,000 lb) of pulling force. Refer to a Greenlee catalog for sheaves, pulling rope, and other cable pulling accessories to create an entire cable pulling system.

No single manual can provide instructions for every possible cable pulling application; this manual contains general information necessary to accomplish cable pulls of many different setups.

## Safety

Safety is essential in the use and maintenance of Greenlee tools and equipment. This instruction manual and any markings on the tool provide information for avoiding hazards and unsafe practices related to the use of this tool. Observe all of the safety information provided.

## Purpose of this Manual

This manual is intended to familiarize all personnel with the safe operation and maintenance procedures for the Greenlee UT10 Ultra Tugger® Cable Puller.

Keep this manual available to all personnel.

Replacement manuals are available upon request at no charge at [www.greenlee.com](http://www.greenlee.com).

All specifications are nominal and may change as design improvements occur. Greenlee Tools, Inc. shall not be liable for damages resulting from misapplication or misuse of its products. Ultra Tugger is a registered trademark of Greenlee Tools, Inc. Loctite and 242 are registered trademarks of Henkel Corporation.

# **KEEP THIS MANUAL**



## GENERAL SAFETY RULES

**WARNING! Read and understand all instructions.** Failure to follow all instructions listed below may result in electric shock, fire, and/or serious personal injury.

### SAVE THESE INSTRUCTIONS

#### WORK AREA SAFETY

**Keep your work area clean and well lit.** Cluttered benches and dark areas invite accidents.

**Do not operate power tools in explosive atmospheres, such as in the presence of flammable liquids, gases, or dust.** Power tools create sparks which may ignite the dust or fumes.

**Keep bystanders, children, and visitors away while operating a power tool.** Distractions can cause you to lose control.

#### ELECTRICAL SAFETY

**Grounded tools must be plugged into an outlet properly installed and grounded in accordance with all codes and ordinances. Never remove the grounding prong or modify the plug in any way. Do not use any adapter plugs. Check with a qualified electrician if you are in doubt as to whether the outlet is properly grounded.** If the tools should electrically malfunction or break down, grounding provides a low resistance path to carry electricity away from the user.

**Avoid body contact with grounded surfaces such as pipes, radiators, ranges, and refrigerators.** There is an increased risk of electric shock if your body is grounded.

**Do not expose power tools to rain or wet conditions.** Water entering a power tool will increase the risk of electric shock.

**Do not abuse the cord. Never use the cord to carry the tools or pull the plug from an outlet. Keep cord away from heat, oil, sharp edges or moving parts. Replace damaged cords immediately.** Damaged cords increase the risk of electric shock.

**When operating a power tool outside, use an outdoor extension cord marked “W-A” or “W.”** These cords are rated for outdoor use and reduce the risk of electric shock.

#### PERSONAL SAFETY

**Stay alert, watch what you are doing and use common sense when operating a power tool. Do not use tool while tired or under the influence of drugs, alcohol, or medication.** A moment of inattention while operating power tools may result in serious personal injury.

**Dress properly. Do not wear loose clothing or jewelry. Contain long hair. Keep your hair, clothing, and gloves away from moving parts.** Loose clothes, jewelry, or long hair can be caught in moving parts.

**Avoid accidental starting. Be sure switch is off before plugging in.** Carrying tools with your finger on the switch or plugging in tools that have the switch on invites accidents.

**Remove adjusting keys or switches before turning the tool on.** A wrench or a key that is left attached to a rotating part of the tool may result in personal injury.

**Do not overreach. Keep proper footing and balance at all times.** Proper footing and balance enables better control of the tool in unexpected situations.

**Use safety equipment. Always wear eye protection.** Dust mask, non-skid safety shoes, hard hat, or hearing protection must be used for appropriate conditions.

#### TOOL USE AND CARE

**Use clamps or other practical way to secure and support the workpiece to a stable platform.** Holding the work by hand or against your body is unstable and may lead to loss of control.

**Do not force tool. Use the correct tool for your application.** The correct tool will do the job better and safer at the rate for which it was designed.

**Do not use tool if switch does not turn it on and off.** Any tool that cannot be controlled with the switch is dangerous and must be repaired.

**Disconnect the plug from the power source before making any adjustments, changing accessories, or storing the tool.** Such preventive safety measures reduce the risk of starting the tool accidentally.

**Store idle tools out of reach of children and other untrained persons.** Tools are dangerous in the hands of untrained users.

**Maintain tools with care. Keep cutting tools sharp and clean.** Properly maintained tools, with sharp cutting edges, are less likely to bind and are easier to control.

**Check for misalignment or binding of moving parts, breakage of parts, and any other condition that may affect the tool's operation. If damaged, have the tool serviced before using.** Many accidents are caused by poorly maintained tools.

**Use only accessories that are recommended by the manufacturer for your model.** Accessories that may be suitable for one tool may become hazardous when used on another tool.

#### SERVICE

**Tool service must be performed only by qualified repair personnel.** Service or maintenance performed by unqualified personnel could result in a risk of injury.

**When servicing a tool, use only identical replacement parts. Follow instructions in the “Maintenance” section of this manual.** Use of unauthorized parts or failure to follow maintenance instructions may create a risk of electric shock or injury.

**SPECIFIC SAFETY RULES AND SYMBOLS**



**SAFETY ALERT SYMBOL**

This symbol is used to call your attention to hazards or unsafe practices which could result in an injury or property damage. The signal word, defined below, indicates the severity of the hazard. The message after the signal word provides information for preventing or avoiding the hazard.

**⚠ DANGER**

Immediate hazards which, if not avoided, WILL result in severe injury or death.

**⚠ WARNING**

Hazards which, if not avoided, COULD result in severe injury or death.

**⚠ CAUTION**

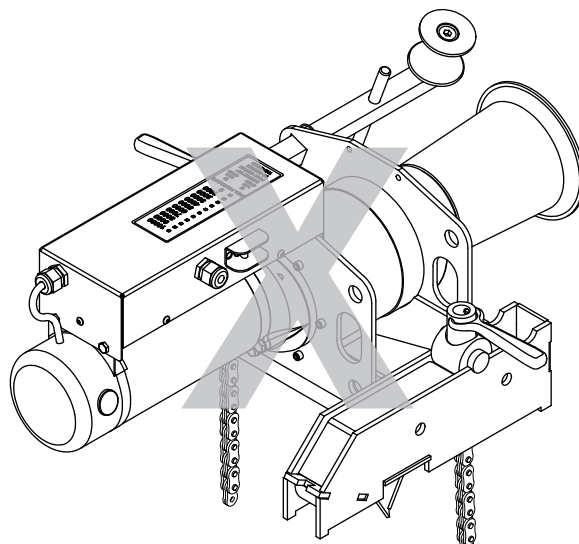
Hazards or unsafe practices which, if not avoided, MAY result in injury or property damage.



**⚠ DANGER**

Do not operate the cable puller in a hazardous environment. Hazards include flammable liquids and gases. Failure to observe this warning will result in severe injury or death.

**⚠ DANGER**



**Do not mount puller as shown above.**

Inside of capstan should be centered over conduit. The chain mount could break away from the mounting, causing severe injury or death.



**⚠ DANGER**

Read and understand all of the instructions and safety information in this manual before operating or servicing this tool.

Failure to observe this warning will result in severe injury or death.





**⚠ WARNING**


Electric shock hazard:  
Disconnect the cable puller from the power supply before servicing. Failure to observe this warning could result in severe injury or death.

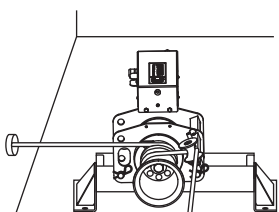
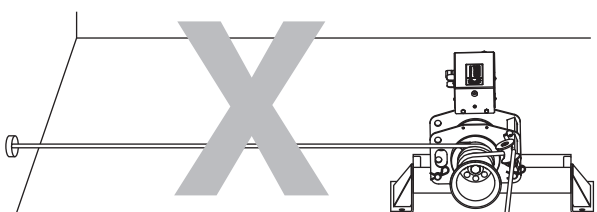


## **SPECIFIC SAFETY RULES AND SYMBOLS**

	<b>⚠ WARNING</b>
	Inspect and verify the maximum load-bearing capacity or maximum strength of all structural supports, pulling system components and anchoring systems before setting up the puller. Any component that cannot withstand the maximum cable pulling forces could break and strike nearby personnel with sufficient force to cause severe injury or death.

	<b>⚠ WARNING</b>
	Do not allow anything other than the pulling rope to contact the capstan. A grip, swivel, or other component could break and strike nearby personnel with great force. Failure to observe this warning could result in severe injury or death.

	<b>⚠ WARNING</b>
	Do not stand directly under a vertical pull. Cable could fall suddenly from the conduit. Failure to observe this warning could result in severe injury or death.

<b>⚠ WARNING</b>
Locate the puller so that it is close to the conduit. Rope, cable, or connectors can break under tension, causing the rope to whip violently. Failure to observe this warning could result in severe injury or death.



<b>⚠ WARNING</b>
An under-rated or worn rope may break and whip violently. Use a double-braided composite rope with the following minimum characteristics: Average Breaking Strength: at least 143 kN (32,000 lb) Failure to observe this warning could result in severe injury or death.

## SPECIFIC SAFETY RULES AND SYMBOLS

### ⚠ WARNING

- Check the condition of the entire rope before use. A worn or damaged rope can break under tension and whip violently.
- Do not maintain a stationary rope on a rotating capstan. The wear generated may cause the rope to break under tension and whip violently.

Failure to observe these warnings could result in severe injury or death.

### ⚠ WARNING

Rope, cable, or a connecting device can break under tension, causing the rope to whip violently.

- Do not allow any unnecessary personnel to remain in the area during the pull.
- Do not allow any personnel to stand in line with the pulling rope.

Failure to observe these warnings could result in severe injury or death.

### ⚠ WARNING

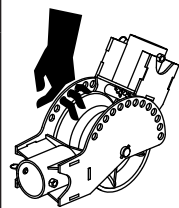
Attach the pulling rope to the cable with appropriate types of connectors as described in this manual. Select connectors with a maximum rated capacity of 44.5 kN (10,000 lb). An under-rated connector can break under tension.

Failure to observe this warning could result in severe injury or death.

### ⚠ WARNING

Do not allow the rope to become overlapped on the capstan. If an overlap begins to develop, relax the tailing force immediately and shut off the cable puller.

Failure to observe this warning could result in severe injury or death.



### ⚠ WARNING

Shear point:

Do not put fingers through holes in elbow unit. Rotating parts may cut off fingers.

Failure to observe this warning could result in severe injury or death.

### ⚠ WARNING

Use this tool for manufacturer's intended purpose only. Do not use the cable puller as a hoist or winch.

- The cable puller cannot lower a load.
- The load may fall.

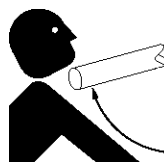
Failure to observe this warning could result in severe injury or death.



### ⚠ WARNING

Keep hands away from the capstan. Rope at the capstan can crush a hand.

Failure to observe this warning could result in severe injury or death.



### ⚠ WARNING

Always lock boom components in place during assembly or disassembly. Adding and removing components may cause rotation. Parts may strike nearby personnel.

Failure to observe this warning could result in severe injury or death.



### ⚠ WARNING

Do not wrap rope around hands, arms, waist or other body parts. Do not stand in spent coils or tailed rope. Hold rope so that it may be released quickly.



## **SPECIFIC SAFETY RULES AND SYMBOLS**

### **⚠ WARNING**

Inspect puller and accessories before use. Replace any worn or damaged components with Greenlee replacement parts. A damaged or improperly assembled item can break and strike nearby personnel with sufficient force to cause severe injury or death.

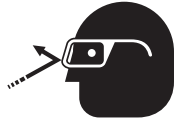
### **⚠ WARNING**

Entanglement hazard:

- Do not operate the cable puller while wearing loose-fitting clothing.
- Retain long hair.

Failure to observe this warning could result in severe injury or death.

### **⚠ WARNING**

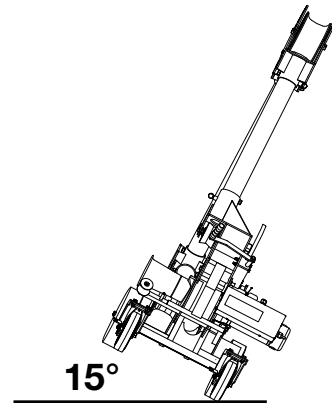


Wear eye protection when using this tool. Failure to wear eye protection could result in severe eye injury from flying debris.

### **⚠ WARNING**

When using the wheeled carriage to transport the UT10:

- Keep personnel out of the path of transport.
- Evaluate the terrain over which the carriage is to move. If in doubt, obtain additional help and move the carriage slowly.
- Do not transport over inclines of more than 15°.
- Do not transport the carriage with boom tubes longer than the supplied 3' and 4' tubes.



*Note: Keep all decals clean and legible, and replace when necessary.*

## **Grounding Instructions**

### **⚠ WARNING**



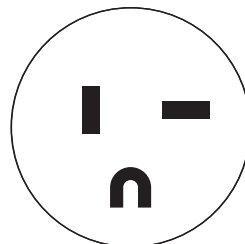
Electric shock hazard:

Connect this tool to a grounded receptacle on a 20 amp GFCI-protected circuit.

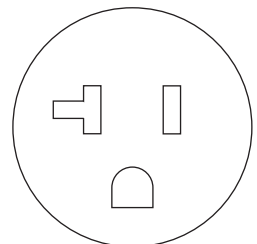
Failure to observe this warning could result in severe injury or death.

This tool's electric cord has a grounding conductor and a grounding plug as shown. Do not modify the plug. Connect the plug to receptacle that is properly installed and grounded in accordance with all national and local codes and ordinances. Do not use an adapter.

**20 Amp / 115 Volt  
Plug and Grounded Receptacle**

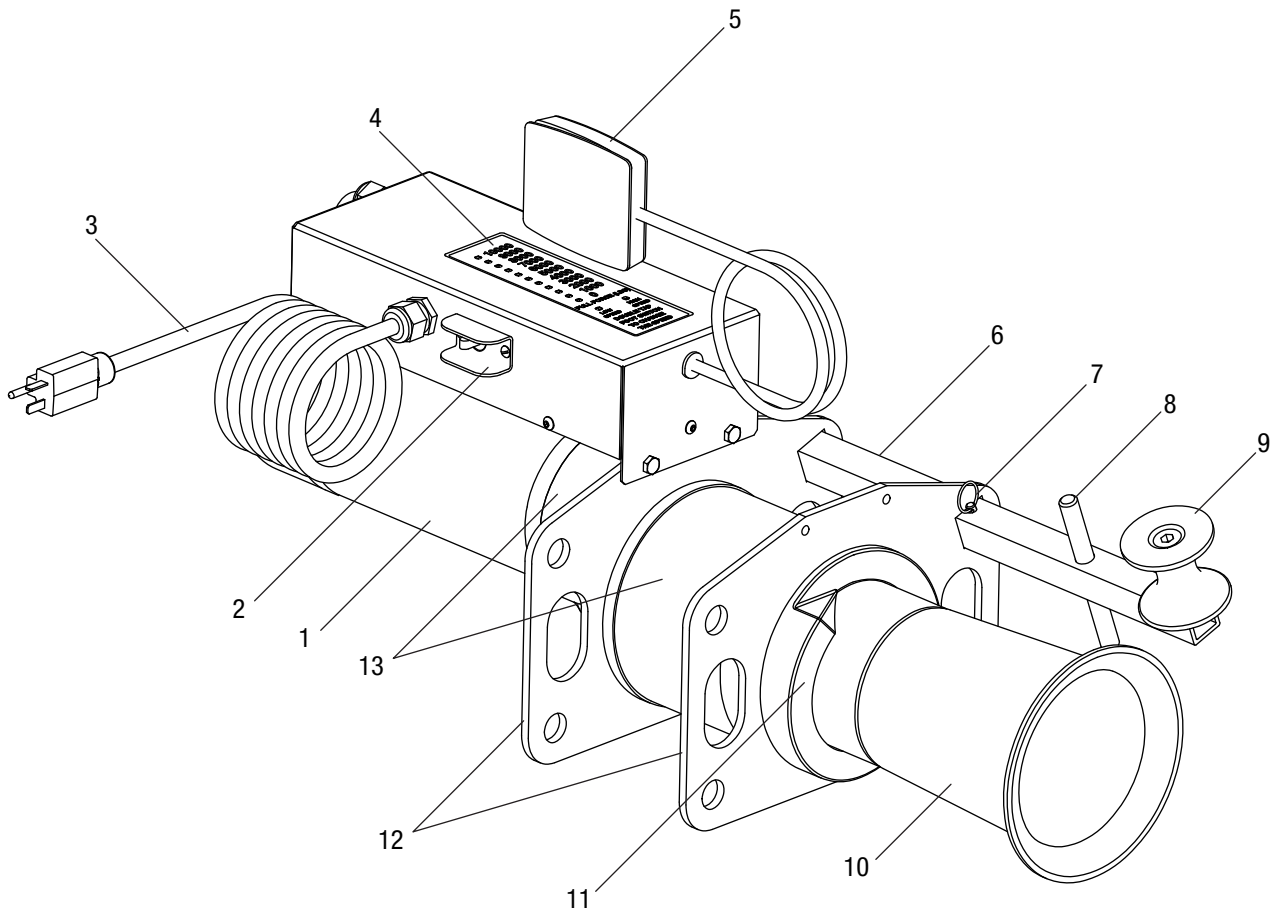


**Plug**



**Receptacle**

This tool must be grounded. In the event of a malfunction or breakdown, an electrical ground provides a path of least resistance for the electric current. This path of least resistance is intended to reduce the risk of electric shock to the operator.

**FUNCTIONAL DESCRIPTION****Identification****UT10 Cable Puller**

- |                              |                           |
|------------------------------|---------------------------|
| 1. Motor                     | 7. Hitch Clip             |
| 2. Circuit Breaker/Switch    | 8. Rope Tie-Off           |
| 3. Power Cord                | 9. Right Angle Sheave     |
| 4. Force Gauge               | 10. Tapered Steel Capstan |
| 5. Foot Switch               | 11. Rope Ramp             |
| 6. Adjustable Sheave Bracket | 12. Mounting Plates       |
|                              | 13. Gearbox               |

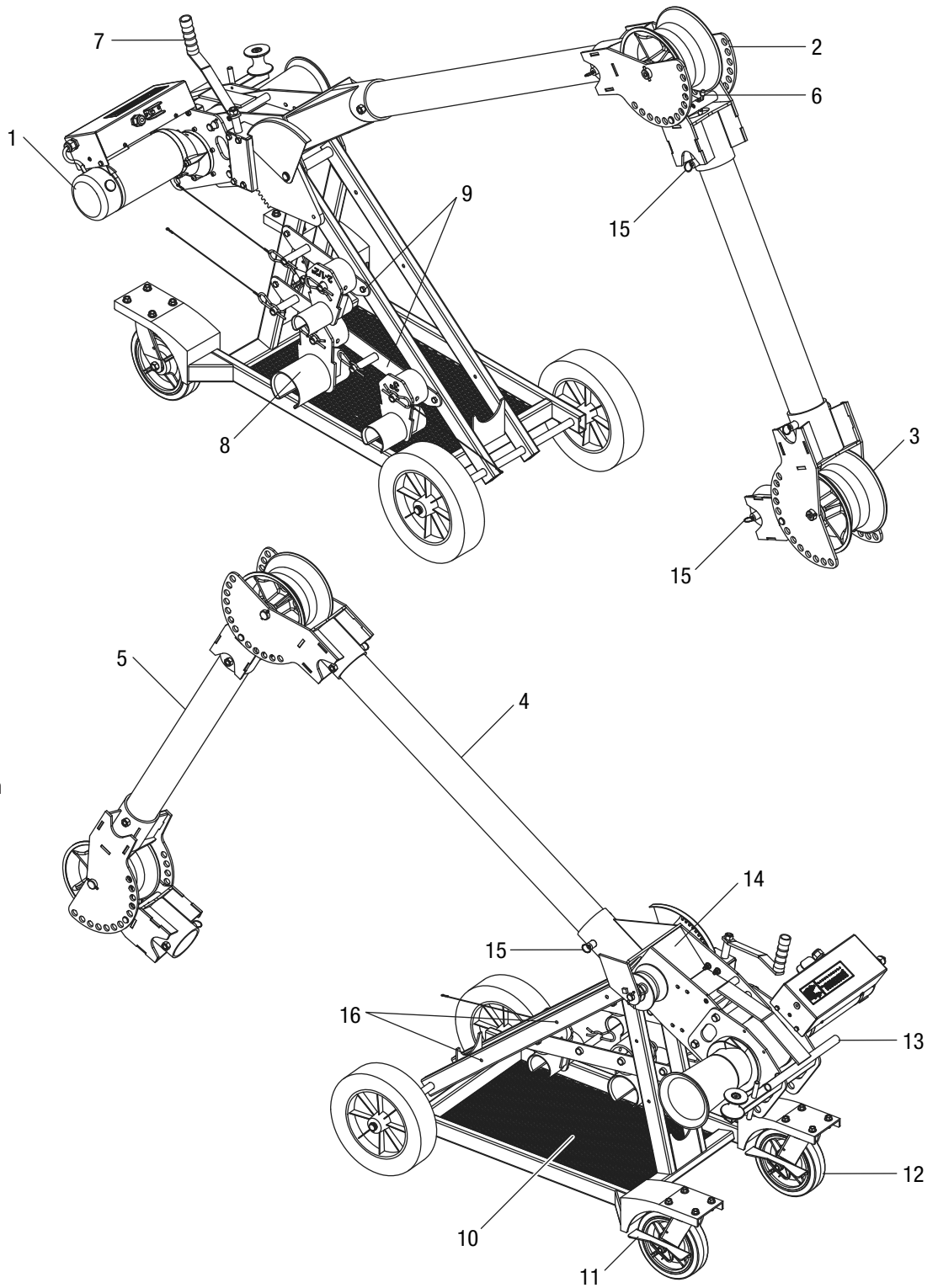




**Identification (cont'd)**

**Mobile Carriage and Boom**

- 1. Puller
- 2. Elbow
- 3. Nose
- 4. Back Boom
- 5. Forward Boom
- 6. Detent Pin
- 7. Crank
- 8. Conduit Adapter Couplings
- 9. Adapter Storage Hanger
- 10. Storage Tray
- 11. Brake
- 12. Swivel Caster
- 13. Transport Handle
- 14. Boom Mount
- 15. Ring Pull Detent Pin
- 16. Location for Additional Adapter Storage Racks





**Specifications**

Weight..... 38 kg (84 lb)

**Dimensions**

Length ..... 29 cm (11.5")

Width..... 66 cm (26")

Height..... 17 cm (6.75")

**Motor**

Voltage .....120/230 VAC, 50/60 Hz, single phase

Current Draw at Full Load ..... 20 amps (120 V), 12 amps (230 V)

Sound Level ..... 75 dB at 1 meter

Power Source ..... 120 VAC, 60 Hz, 20 amps, single phase  
230 VAC, 50 Hz, 12 amps, single phase

**Speed**

**LOW**

**HIGH**

No Load ..... 2.74 m/min (9 ft/min) 4.88 m/min (16 ft/min)

8900 N (2000 lb)..... 2.44 m/min (8 ft/min) 4.27 m/min (14 ft/min)

17.8 kN (4000 lb)..... 2.29 m/min (7.5 ft/min) 3.66 m/min (12 ft/min)

26.7 kN (6000 lb)..... 2.13 m/min (7 ft/min) —

35.6 kN (8000 lb)..... 1.83 m/min (6 ft/min) —

**Pulling Force**

0 kN to 28.9 kN (0 lb to 6500 lb) .....Continuous operation

28.9 kN to 35.6 kN (6500 lb to 8000 lb) .....5 minutes on / 5 minutes off

35.6 kN to 44.5 kN (8000 lb to 10,000 lb) ..... Momentary

**Pulling Rope**

Required Rope ..... 7/8" diameter, double-braided, polyester composite

Average Breaking Strength ..... 143 kN (32,000 lb) minimum



## Cable Pulling Glossary

**anchoring system**

any item or group of items that keeps a cable pulling component in place during the cable pull

**capstan**

the hollow cylinder of the cable puller that acts on the pulling rope to generate pulling force

**coefficient of friction**

the ratio that compares two amounts of force:  
(1) the force needed to move an object over a surface and (2) the force holding the object against the surface  
This ratio is used to describe how the capstan and the rope work together.

**connector**

any item, such as a wire grip, clevis, swivel, or pulling grip, that connects the rope to the cable

**direct line of pull**

the areas next to the pulling rope and along its path; this includes the areas in front of, in back of, and underneath the rope

**maximum rated capacity**

the amount of pulling tension that any component can safely withstand, rated in kilonewtons (metric) or pounds; the maximum rated capacity of every component must meet or exceed the maximum pulling force of the cable puller

**Newton (N)**

a metric unit of force, equivalent to 0.225 pounds of force

**pipe adapter sheave**

attaches to conduit for pulling or feeding cable

**pulling grip**

connects the rope to the cable; consists of a wire mesh basket that slides over the cable and grips the insulation

**pulling force**

the amount of pulling tension developed by the cable puller, rated in newtons (metric) or pounds; a cable puller is usually described by the maximum pulling force that it can develop

**resultant force**

any force that is produced when two or more forces act on an object; applies to the sheaves of a cable pulling system

**rope ramp**

a device that works with a tapered capstan; guides the rope onto the capstan to prevent rope overlap

**sheave**

a pulley that changes the direction of the rope and cable

**stored energy**

the energy that accumulates in the pulling rope as it stretches, described in newton-meters (metric) or foot-pounds

**support structure**

any stationary object that a cable pulling system component is anchored to, such as a concrete floor (for the floor mount) or an I-beam (for a sheave)

**tactile feedback**

the way the rope feels as it feeds off of the capstan; the feel of the rope provides information about the progress of the pull to the operator

**tail**

the portion of the rope that the operator applies force to; this is the rope coming off of the capstan, and is not under the tension of the pull

**tailing the rope**

the operator's main function; this is the process of applying force to the tail of the pulling rope—refer to the complete explanation under "Cable Pulling Principles"

**wire grip**

connects the rope to the cable; some use a set screw to clamp onto the conductors of the cable

## Cable Pulling Principles

Pulling cable is a complex process. This section of the manual describes and explains four main topics of pulling cable:

- Each cable pulling system component
- How these components work together
- Forces that are generated
- Procedures for the cable puller operator to follow

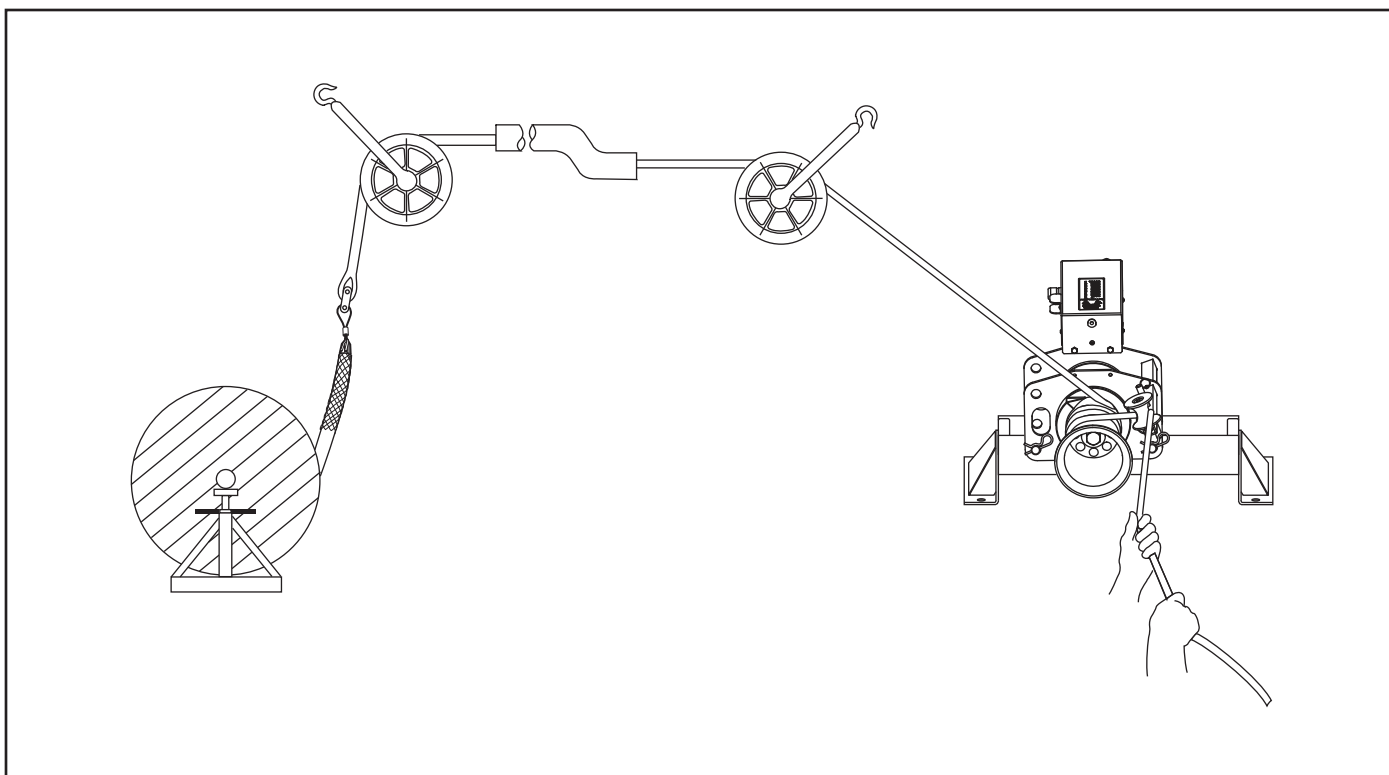
While reading through this section of the manual, look for components that are shaded in the illustrations. The shading indicates components that are associated with the text.

Greenlee strongly recommends that each member of the cable pulling crew review this section of the manual before each cable pull.

## Cable Pulling Systems

Pulling cable requires a system of components. At a minimum, a cable pulling system will include a cable puller, a cable pulling rope, and connectors to join the rope to the cable. Most systems will also include, but are not limited to, a cable puller anchoring system, pulling sheaves, and sheave anchoring systems.

The cable puller has a maximum amount of *pulling force*, which is the amount of pulling tension that it develops. Every other component of the pulling system has a *maximum rated capacity*, which is the amount of pulling tension that it can withstand. The maximum rated capacity of every component must meet or exceed the cable puller's maximum pulling force.



**Typical Cable Pulling System**



## Cable Pulling Principles (cont'd)

### Pulling Theory

This section introduces the main ideas involved with pulling cable.

### Pulling Resistance

The cable puller must overcome two types of resistance: gravity and friction.

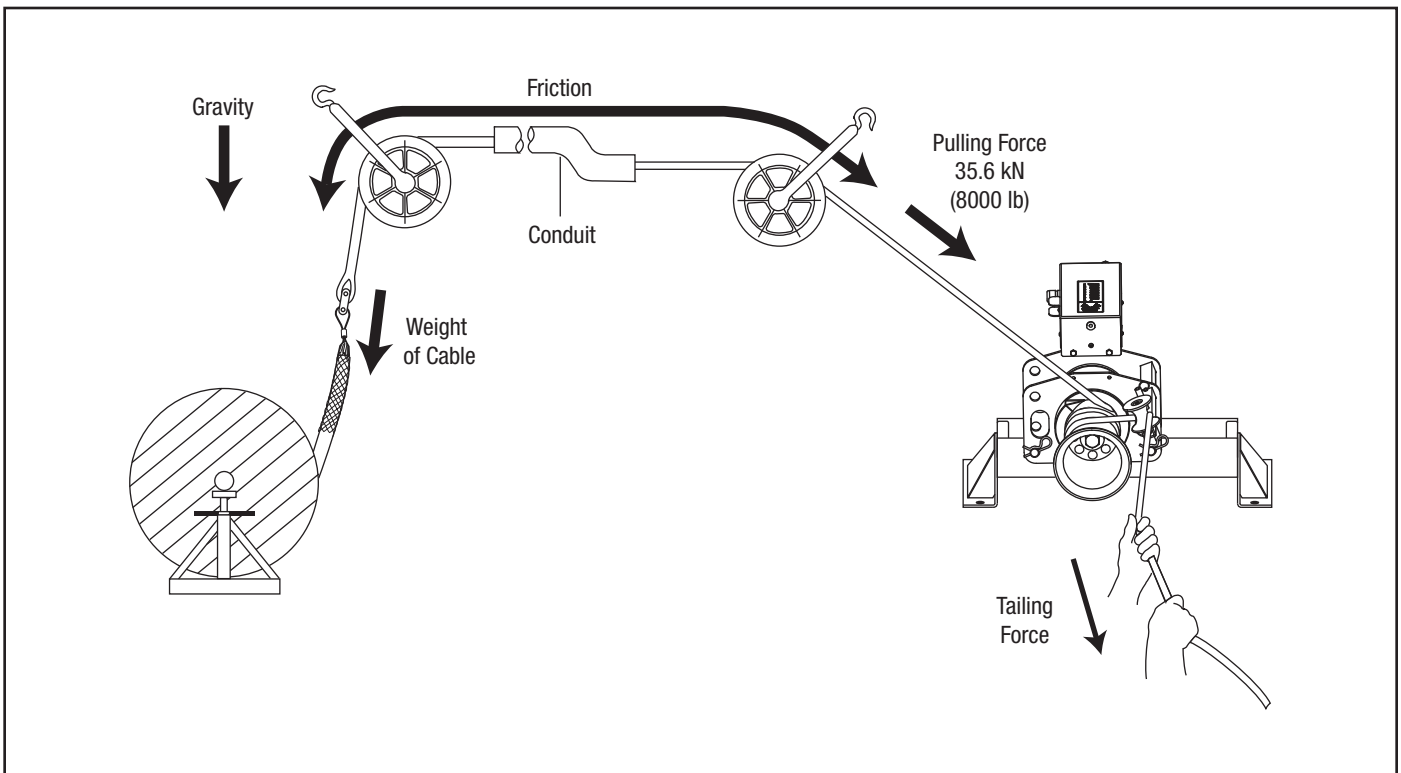
Gravity constantly exerts its force on the vertical portions of the run. When the pulling force is relaxed, gravity attempts to pull the cable downward. Friction develops where the cable contacts the sheaves, conduit, and tray. Friction resists any movement, forward or backward, and tends to hold the cables in place.

To accomplish a cable pull, the cable pulling system must develop more force than the combination of gravity and friction.

### Generating Pulling Force

To generate pulling force, the capstan works as a *force multiplier*. The operator exerts a small amount of force on the rope. The cable puller multiplies this and generates the pulling force.

This pulling force is applied to the rope, connectors, and cable in order to accomplish the pull. The direction of force is changed, where necessary, with pulling sheaves.



**Cable Pulling Theory Illustrated**

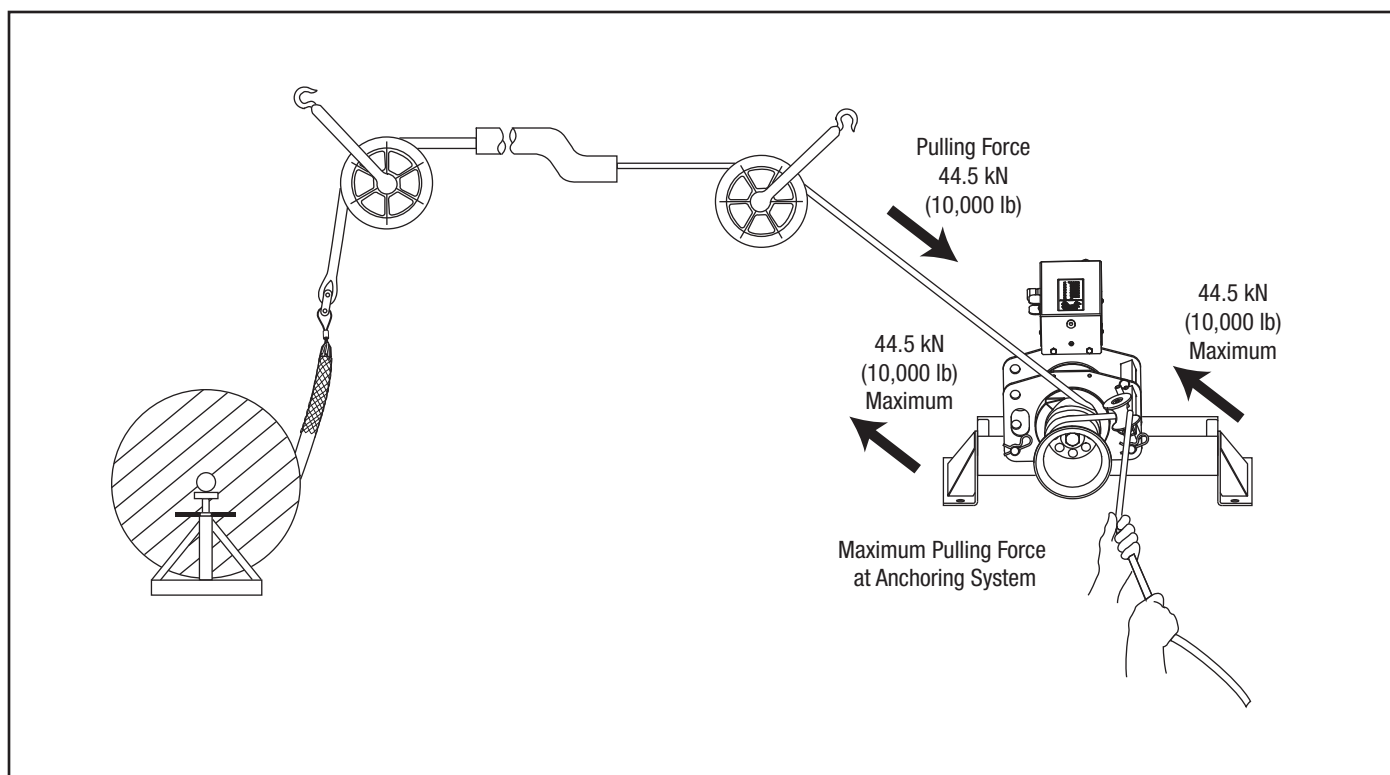
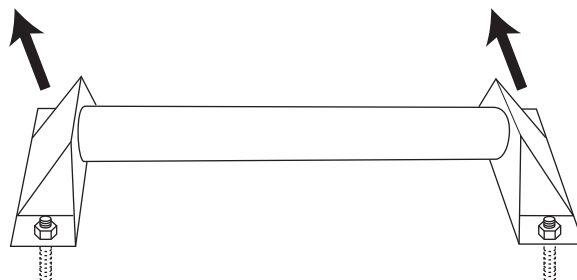
## Cable Pulling Principles (cont'd)

### Cable Pulling Forces

This section provides detailed explanations and illustrations of the forces that are generated during the cable pull. These explanations are based on the concepts presented in the last section, "Pulling Theory."

### At the Cable Puller Anchoring System

The cable puller will exert its maximum pulling force on cable puller's anchoring system. It is extremely important the anchoring system can withstand this amount of force. Refer to the instruction manual provided with your anchoring system for proper setup or installation.



**Pulling Force at the Cable Puller's Anchoring System**



### Cable Pulling Principles (cont'd)

#### Cable Pulling Forces (cont'd)

##### At the Capstan

The capstan acts as a *force multiplier*. The operator exerts a small amount of tension, or tailing force, on the rope; the capstan multiplies this force to pull the cable. The resultant force depends upon the number of times the rope is wrapped around the capstan, as shown in the formula below.

$$\text{Pulling Force} = \text{Tailing Force} \times e^{0.0175\mu\phi}$$

Where:

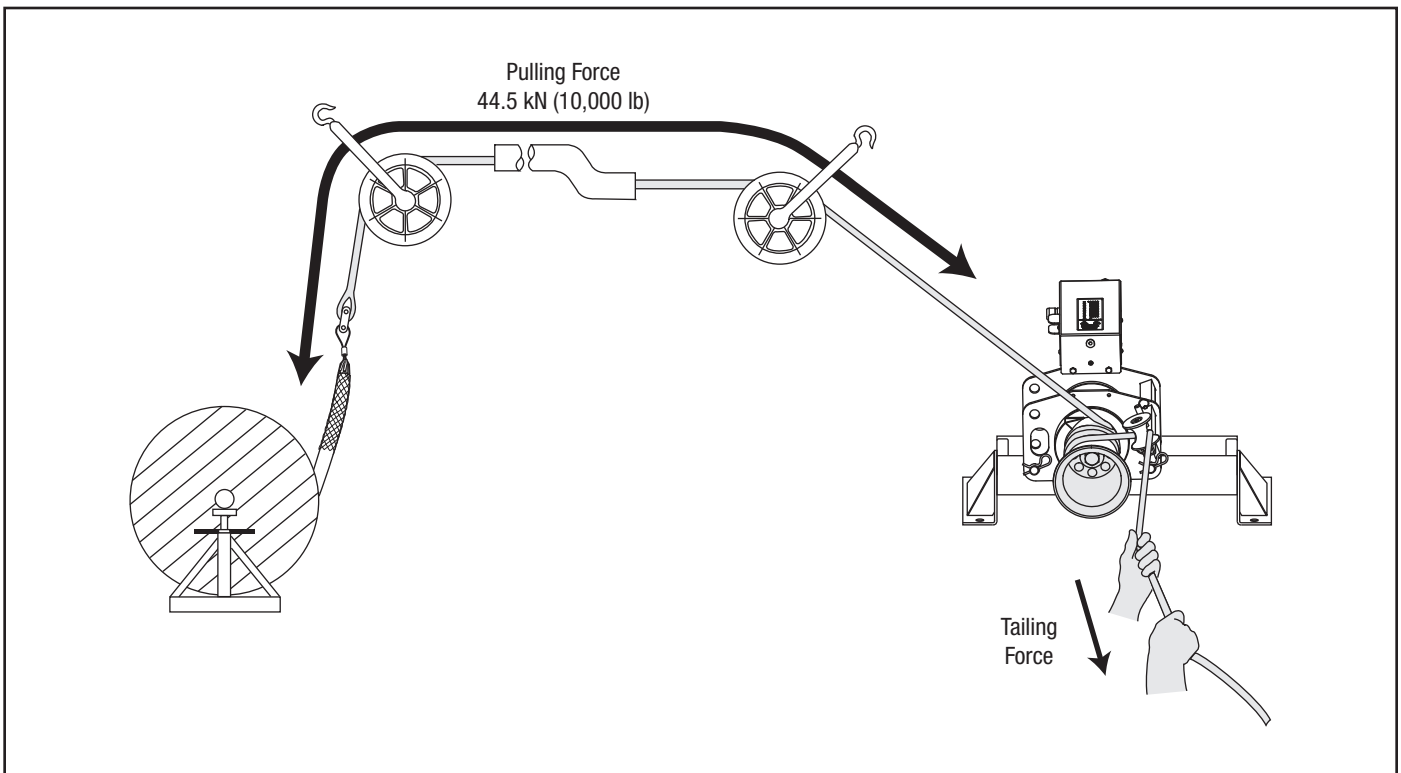
- e = the natural logarithm, or 2.7183
- $\mu$  = the coefficient of friction between the rope and the capstan\*
- $\phi$  = the number of degrees of wrap of rope around the capstan

\* The average value for the coefficient of friction when double-braided composite rope is pulled over a clean dry capstan is 0.125.

The following table is based on the formula above. The input, or tailing force, is constant at 44.5 N (10 lb). Increasing the number of wraps increases the pulling force.

Operator's Tailing Force	Number of Wraps of Rope	Approximate Pulling Force
44.5 N (10 lb)	1	93.4 N (21 lb)
	2	213.5 N (48 lb)
	3	474.9 N (106 lb)
	4	1043.8 N (233 lb)
	5	2293.7 N (512 lb)
	6	5048.9 N (1127 lb)
	7	11.1 kN (2478 lb)

This table shows how the capstan acts as a force multiplier. Because the coefficient of friction depends upon the condition of the rope and capstan, this formula cannot determine an exact amount of pulling force.



**The Capstan as a Force Multiplier**

## Cable Pulling Principles (cont'd)

### Cable Pulling Forces (cont'd)

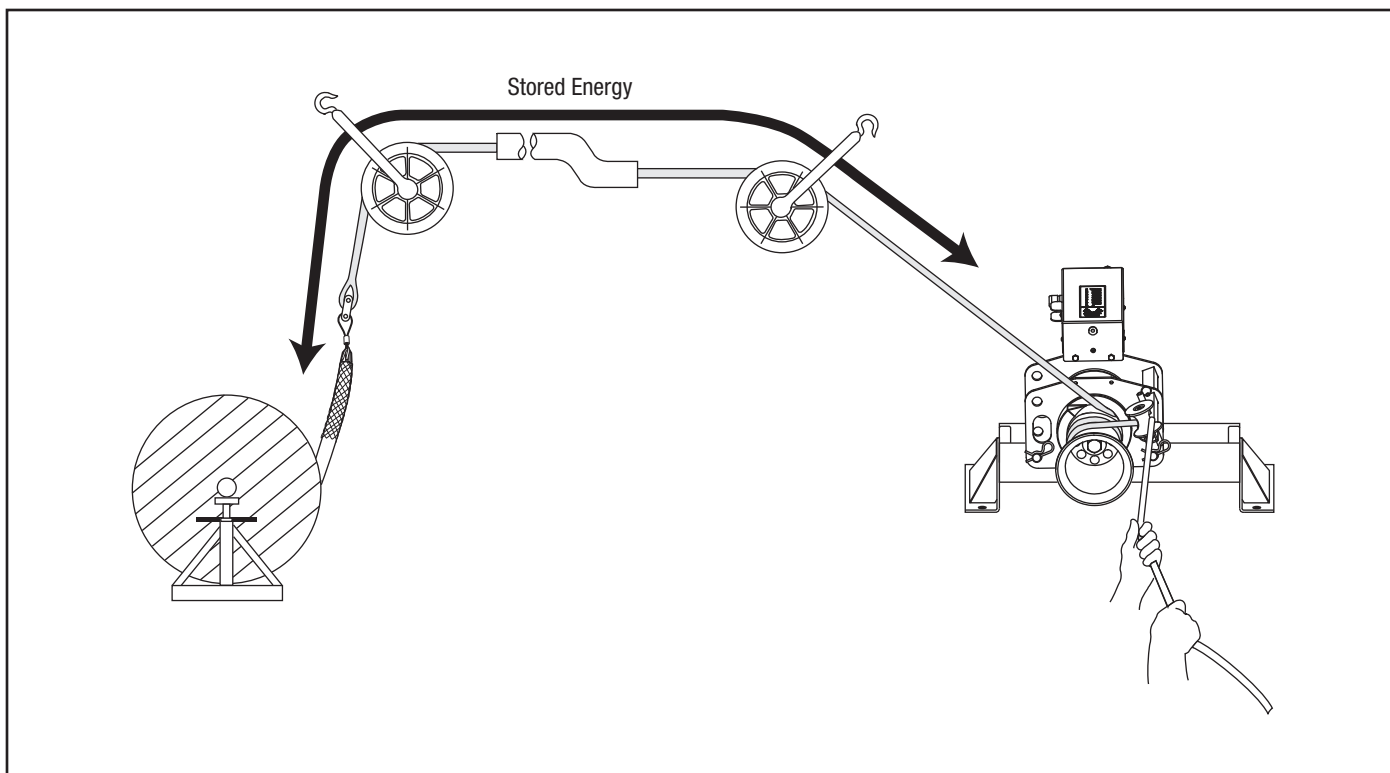
#### At the Pulling Rope

The product of a force (f) moving through a distance (d) is energy (f x d), and may be measured in newton-meters or ft-lb. Energy is stored in a rope when the rope is stretched. This is similar to the way energy is stored in a rubber band when it is stretched. Failure of the rope or any other component of the pulling system can cause a sudden uncontrolled release of the energy stored in the rope.

For example, a 100 meter nylon rope with a 50,000 newton average breaking strength could stretch 40 meters and store 1,000,000 joules of energy. This is enough energy to throw a 900 kilogram object, such as a small automobile, 113 meters into the air.

A similar double-braided composite rope could store approximately 300,000 joules of energy. This could throw the same object only 34 meters into the air. The double-braided composite rope stores much less energy and has much less potential for injury if it were to break.

Double-braided composite rope is the only type of rope recommended for use with the UT10 cable puller. Select a double-braided composite rope with an average rated breaking strength of at least 143 kN (32,000 lb).



**Stored Energy**





### Cable Pulling Principles (cont'd)

#### Cable Pulling Forces (cont'd)

##### At the Connectors

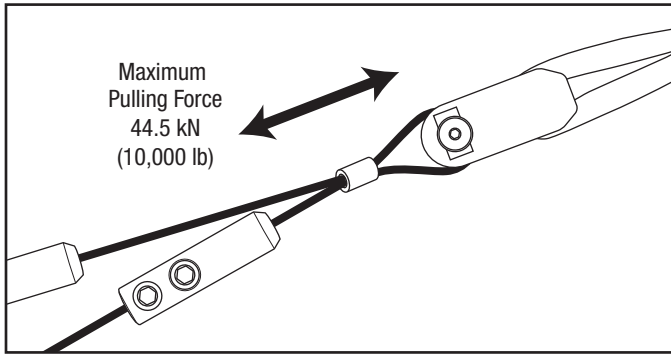
The connectors will be subjected to the cable puller's maximum pulling force.

Several types of rope connectors—clevises, swivels, and rope-to-swivel connectors—are available. Follow the instructions provided with each to provide a good connection.

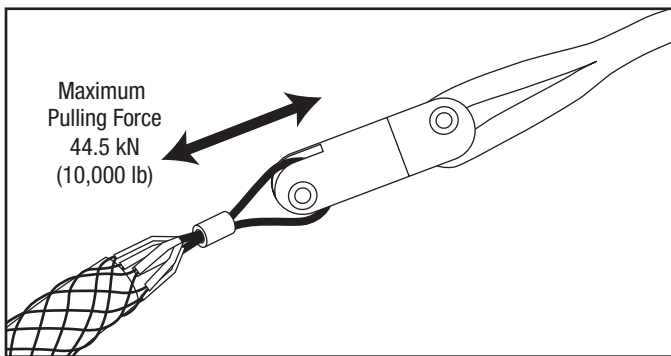
Two types of wire connectors—wire grips and pulling grips—are available. The wire grip uses a set screw to clamp onto the conductors of the cable. The pulling grip consists of a wire mesh basket that slides over the cable and grips the insulation.

When selecting a pulling grip, it is extremely important to select a grip of the correct (1) type, (2) size, and (3) maximum rated capacity.

1. Select the correct type based on the descriptions of each type in the Greenlee catalog.
2. Measure the circumference of the wire bundle. (To do this accurately, fasten a tie strap around the bundle. Cut off and discard the tail. Then cut the tie strap and measure its length.). Use the table provided to find the correct size.
3. Refer to the maximum rated capacities in the Greenlee catalog.



**A Typical Grip Setup—Clevis and Wire Grip**



**A Typical Grip Setup—Swivel and Pulling Grip**

#### Pulling Grip Size Table

Circumference Range		Required Grip Diameter	
inches	mm	inches	mm
1.57–1.95	39.9–49.5	0.50–0.61	12.7–15.5
1.95–2.36	49.5–59.9	0.62–0.74	15.8–18.8
2.36–3.14	59.9–79.8	0.75–0.99	19.1–25.1
3.14–3.93	79.8–99.8	1.00–1.24	25.4–31.5
3.93–4.71	99.8–119.6	1.25–1.49	31.8–37.8
4.71–5.50	119.6–139.7	1.50–1.74	38.1–44.2
5.50–6.28	139.7–159.5	1.75–1.99	44.5–50.5
6.28–7.85	159.5–199.4	2.00–2.49	50.8–63.2
7.85–9.42	199.4–239.3	2.50–2.99	63.5–75.9
9.42–11.00	239.3–279.4	3.00–3.49	76.2–88.6
11.00–12.57	279.4–319.3	3.50–3.99	88.9–101.3
12.57–14.14	319.3–359.2	4.00–4.49	101.6–114.0
14.14–15.71	359.2–399.0	4.50–4.99	114.3–126.7

## Cable Pulling Principles (cont'd)

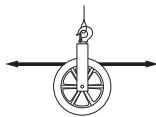
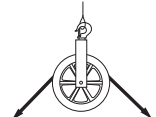

### Cable Pulling Forces (cont'd)

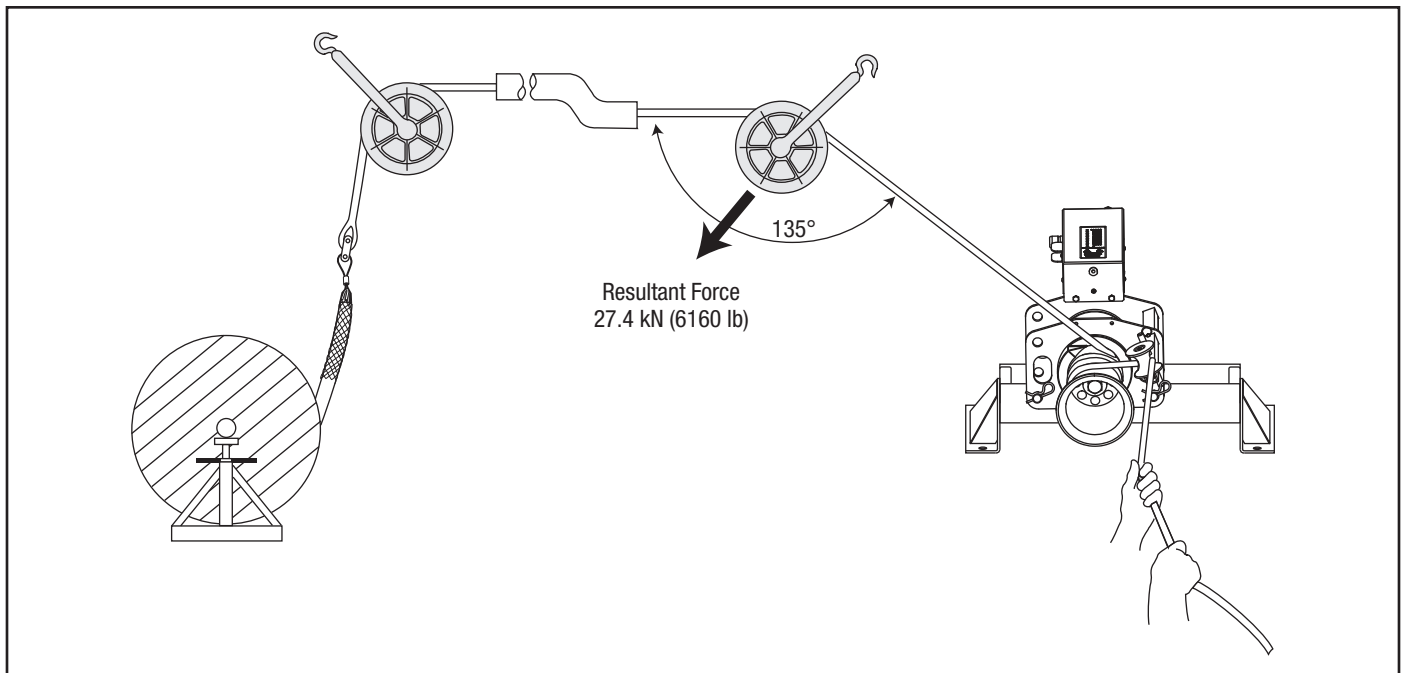
#### At the Sheaves

Sheaves are used to change the direction of the pull. A change in direction creates a new *resultant force* that may be greater than the cable puller's maximum pulling force. This new *resultant force* exerts itself on the sheaves, sheave anchoring system, and support structures illustrated.

The resultant amount of force depends on the angle of the change in direction. A brief table is provided here; For details on calculating the resultant force for any angle, refer to IM 1363 (99929988).

**Resultant Force Table**  
(35.6 kN or 8,000 lb Pulling Force)

Illustration	Angle of Change in Direction	Resultant Force in kN (lb)
	180°	0 (0)
	150°	18.5 (4160)
	135°	27.4 (6160)
	120°	35.6 (8000)
	90°	50.2 (11,300)
	60°	61.6 (13,800)
	45°	65.8 (14,800)
	30°	68.7 (15,400)
	0°	71.2 (16,000)



**Typical Resultant Force at Sheave**



## Cable Pulling Principles (cont'd)

### Tailing the Rope

The rope must be pulled off of the capstan as the pull progresses. The rope that has left the capstan is the “tail.” The process of pulling the rope off of the capstan is called *tailing the rope*.

The resistance of the cable varies throughout the duration of the cable pull. Changes in resistance are due to characteristics of the rope, changes in conduit direction, and changes in the amount of friction. The “feel” of the rope provides this information about the pull. This is called *tactile feedback*. Adjust the tailing force as necessary to compensate for these changes.

### Control of the Pull

Decreasing the tailing force will decrease the pulling force, until the rope slips on the capstan and the pull stops. This provides a high level of control over the progress of the cable pull.

Do not allow the rope to slip on the capstan for more than a few moments. If it becomes necessary to completely stop a pull, shut off the puller and maintain enough tailing force to hold cable in place. Tie the rope off to hold it in place.

### Amount of Tailing Force

While the rope and cable are under tension, it is important to maintain the proper amount of tailing force.

*Too little* tailing force will allow the rope to slip on the capstan. This will build up excessive heat and accelerate rope wear, increasing the possibility of breaking the rope.

The proper amount of tailing force will stop the rope from slipping on the capstan and produce a sufficient amount of pulling force to pull in the rope and cable.

*Too much* tailing force is any amount more than is necessary to stop the rope from slipping on the capstan. Excessive tailing force will not increase the pulling force or pulling speed.

### Number of Wraps of Rope Around the Capstan

An experienced operator should choose the number times the rope is wrapped around the capstan.

The proper number of wraps allows the operator to control the progress of the pull with a comfortable amount of effort.

Using *too few* wraps requires a large tailing force to accomplish the pull. Using too few wraps also makes the rope more likely to slip on the capstan. This builds up heat and accelerates rope wear.

Using *too many* wraps causes the rope to grab the capstan tighter. This accelerates rope wear, wastes power, and increases the possibility of a rope overlap. Using too many wraps also reduces tactile feedback, so you receive less information about the pull. You cannot quickly relax the tailing force when there are too many wraps.

If the rope becomes difficult to tail, add another wrap of rope. Turn off the puller and release all of the tension in the rope. Add a wrap and resume pulling. Be aware, however, that some pulls will require tension to hold the cables in place. In these cases, do not attempt to release all of the tension and add a wrap of rope. You will need to anticipate the number of wraps before starting the pull.

### Preventing Rope Overlap

Do not allow the rope to become overlapped on the capstan during a pull.

A rope overlap will make it impossible to continue or back out of the pull.

If the rope becomes overlapped, you will lose control of the pull—the rope will advance with no tailing force and will not feed off of the capstan. The capstan will not allow you to reverse the direction of the rope, so you cannot back out of an overlap.

Set up the puller properly. The rope ramp and tapered capstan are intended to prevent rope overlap. Refer to the instructions in the “Operation” section of this manual.

Every wrap of the rope must remain in direct contact with the capstan. During the pull, take great care to prevent the incoming rope from riding up and overlapping the next wrap. If an overlap begins to develop, immediately relax the tailing force on the rope so that the rope can feed back toward the conduit or tray. When the rope resumes its normal path, apply tailing force and continue the pull.

There is no suggested remedy for a rope overlap.

**Do not allow the rope to overlap!**



## Cable Pulling Principles (cont'd)

### Summary of Cable Pulling Principles

- A cable pulling system consists of many components that work together to accomplish a pull.
- The cable puller is rated by its maximum pulling force; every other component is rated by its maximum rated capacity. The maximum rated capacity of every component must meet or exceed the maximum pulling force of the cable puller.
- The cable puller must overcome two types of resistance: gravity and friction. The puller's capstan, the pulling rope, and the operator tailing the rope work together to produce pulling force.
- The cable puller exerts force on every component of the cable pulling system, including the anchoring systems and the support structures.
- Energy is stored in a rope when the load causes the rope to stretch. Failure of the rope or any other component can cause a sudden release of energy. Replace any rope that is worn or damaged.
- Carefully select the number or wraps of rope around the capstan before starting the pull.
- Control the pull by tailing the rope. Be familiar with the interaction of the rope and capstan.
- Do not allow a rope overlap to develop.

## Planning the Pull

- Pull in a direction that will require the lowest amount of pulling force.
- Plan several shorter pulls rather than fewer longer pulls.
- Locate the puller as close to the end of the conduit as possible to minimize the amount of exposed rope under tension.
- Place each component so that the pulling forces are used effectively.
- Select an anchoring system: adapter sheaves, which are preferred, or the floor mount.
- Verify that each component has the proper load rating.
- Inspect the structural supports. Verify that they have enough strength to withstand the maximum forces that may be generated.



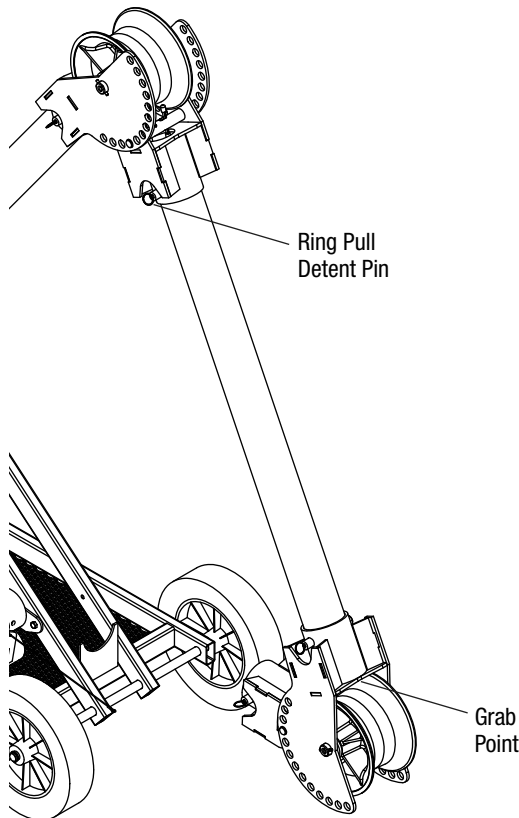
## ASSEMBLY

### Boom Assembly/Disassembly

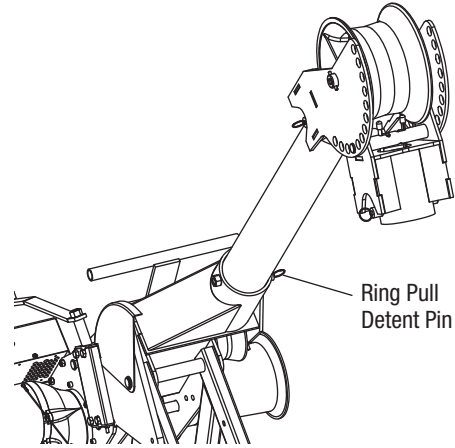
Under normal circumstances, there is no need to disassemble the boom assembly. However, it can be disassembled in order to fit into a small truck, mount the puller head remotely on a floor mount, alter the boom lengths, etc.

To disassemble, follow this procedure:

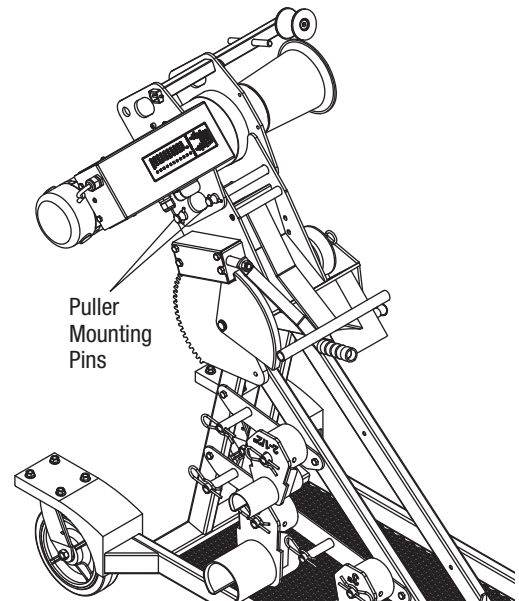
1. Lock the swivel caster brakes.
2. Pivot the elbow until the forward boom is clear of the carriage.
3. Grab the nose by the hole at the end of the boom tube, and lift up to relieve the preload on the detent pins.



4. Pull out on the detent ring that locks the boom tube, and twist the nose slightly so the hole in the boom tube and detent pin are misaligned.



5. Release the detent ring, and pull the nose and forward boom from the elbow.
6. Repeat this process to remove the back boom and elbow. Raise or lower the boom(s) as desired beforehand to gain a comfortable position.
7. Turn the crank clockwise until the puller head is as high as it will go.
8. Remove the clips and pull out the pins that mount the puller head.



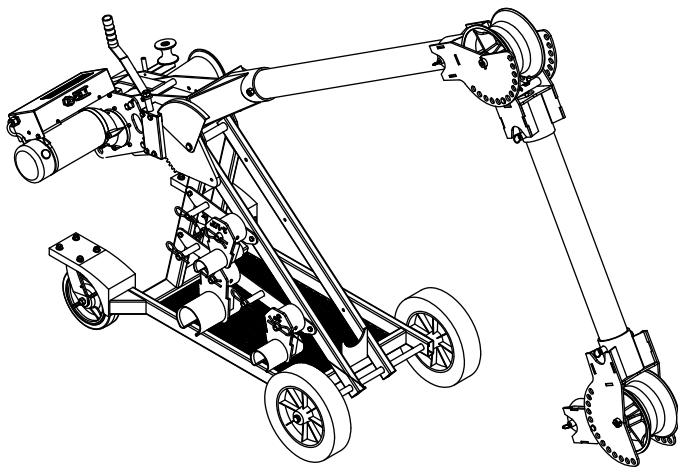
9. Lift the puller head off the boom mount using as many people as needed to lift 45 kg (100 lb).

Aside from detaching the other end of the two boom tubes, this is as far as the unit breaks down. Assemble in the reverse order, making sure that all detent pins are fully seated before releasing your hold.

## Boom Setup

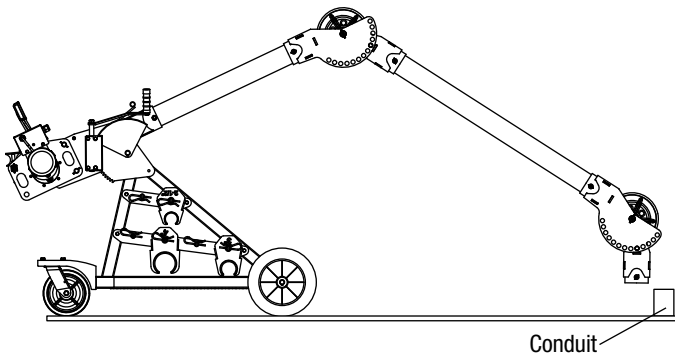
### Up Pull Starting from Teepee Position

1. Set the brakes.
2. Raise the forward boom as described under “Boom Operation” until it is close to the angle desired for the pull setup,  
**or**
  - a. Lock the elbow detent pins in the fully inward position.
  - b. Lower the boom (turn crank CW) until the nose hits the floor.
  - c. Release the brakes and continue to lower the boom while walking the carriage backwards until the elbow is at the desired angle and lock it in place.



**Position Elbow to Desired Angle**

3. Raise or lower the boom until the nose is just above the conduit to be pulled from.



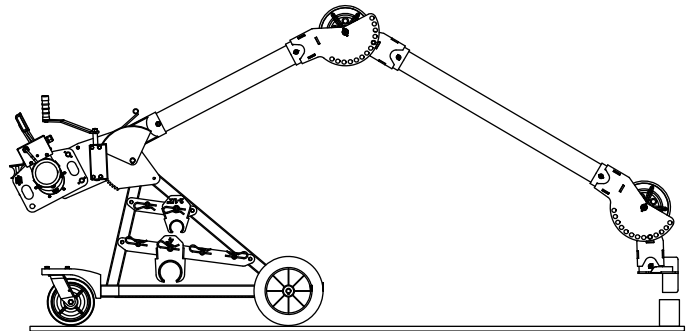
**Position Nose Higher than Conduit**

### To use slip-in couplings:

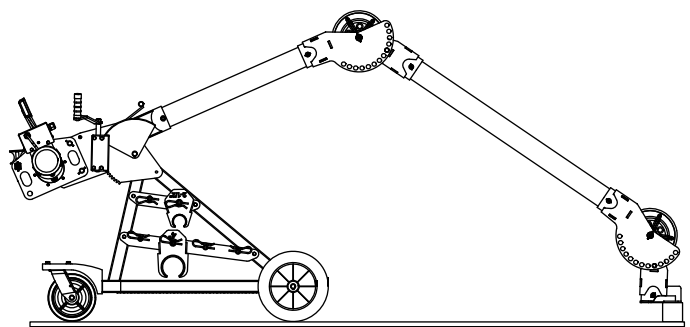
- a. Insert the appropriate slip-in conduit adapter coupling into the nose.
- b. Pivot the nose until the coupling is aligned with the conduit and lock in position.
- c. Raise the boom until the bottom of the coupling clears the conduit.
- d. Release the brakes if not already released.
- e. Roll the carriage forward until the coupling is over the conduit and lower it into the conduit.

### To use screw-on couplings:

- a. Screw the appropriate screw-on adapter coupling fully onto the conduit.
- b. Pivot the nose until it is aligned with the coupling and lock in position.
- c. Raise the boom until the bottom of the coupling clears the conduit.
- d. Release the brakes if not already released.
- e. Roll the carriage forward until the nose is over the coupling, pull the detent ring, and lower the nose onto the coupling.



**Insert Conduit Adapter and Raise above Conduit**



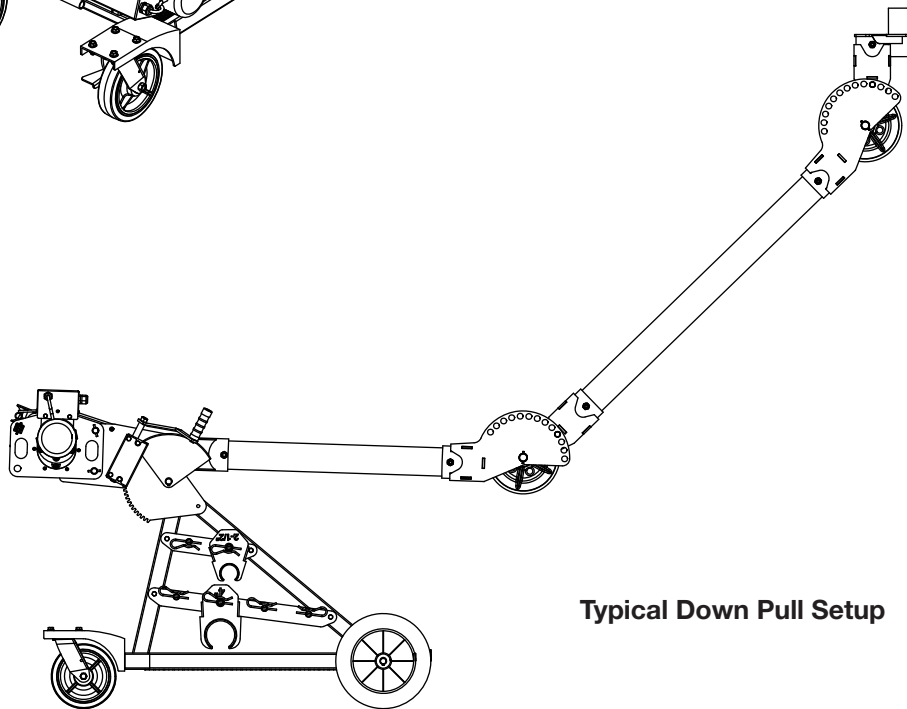
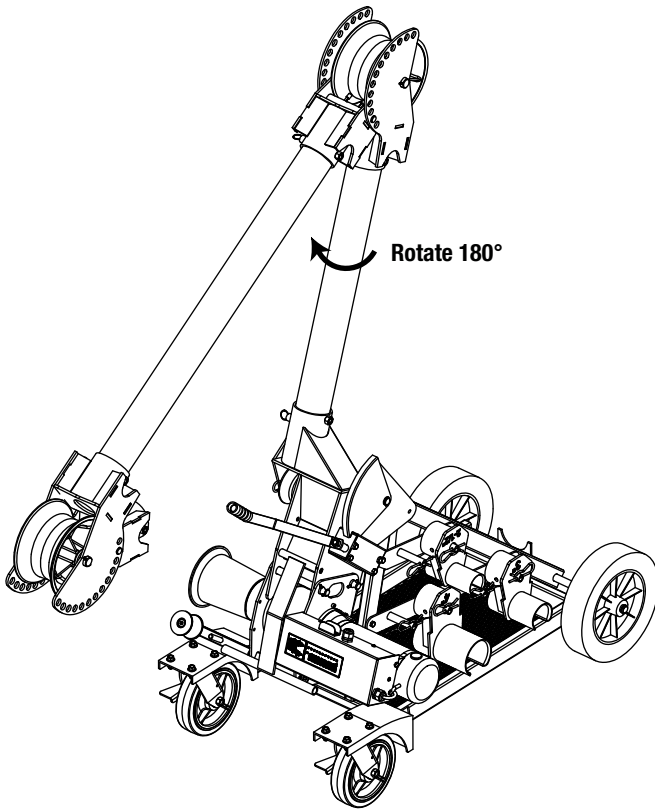
**Lower into Conduit**



### Boom Setup (cont'd)

#### Down Pull Starting from Teepee Position

1. Set the brakes.
2. Pivot the elbow one or two detent positions outward. Lift up on the nose to release any preload on the detent pin securing the back boom to the elbow.
3. While holding the detent out, rotate the elbow on the back boom 180° by walking it around the carriage.



**Typical Down Pull Setup**

4. Lower the entire boom until the forward boom is close to vertical.
5. Lower the forward boom until the elbow is close to the angle desired for the pull setup.
6. Raise or lower the boom until the nose is just below the conduit to be pulled from.

#### To use slip-in couplings:

- a. Insert the appropriate slip-in conduit adapter coupling into the nose.
- b. Pivot the nose until the coupling is aligned with the conduit and lock in position.
- c. Lower the boom until the coupling clears the conduit.
- d. Release the brakes.
- e. Roll the carriage forward until the coupling is under the conduit and raise it.

#### To use screw-on couplings:

- a. Screw the appropriate screw-on adapter coupling fully onto the conduit.
- b. Pivot the nose until it is aligned with the coupling and lock in position.
- c. Lower the boom until the coupling clears the conduit.
- d. Release the brakes.
- e. Roll the carriage forward until the nose is under the coupling, pull the detent ring, and raise the nose onto the coupling.

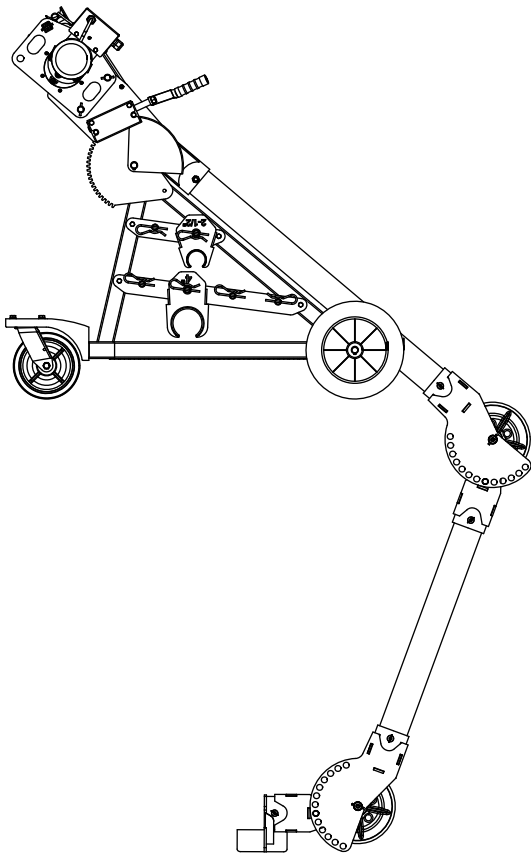
## Boom Setup (cont'd)

### Horizontal Pull

Horizontal pulls are essentially the same as an up pull or a down pull.

- If the conduit is above the puller, follow the up pull instructions.
- If the conduit is below the puller, follow the down pull instructions.

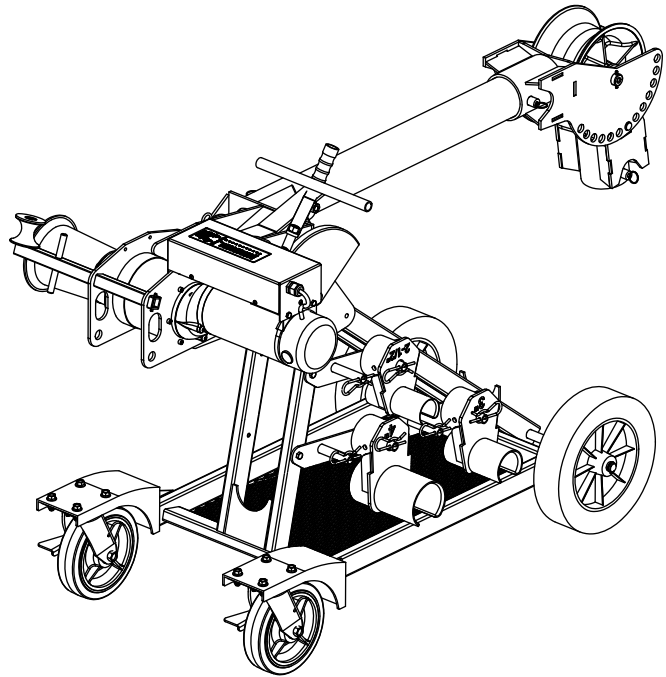
The only difference is in the horizontal alignment of the coupling with the conduit and using the carriage to walk the coupling into the conduit (or the nose into the coupling for the screw-on adapters).



**Horizontal Pull in Underground Vault**

### Single Boom Pull

All of the previous boom setup instructions assume that two booms are used. While using two booms can be useful for working around obstructions, keeping angles over sheaves to a minimum, and pulling out extra tail, it is not always necessary. A single 3', 4', or 3" rigid conduit up to 10' long can be used to keep setups even simpler.



**Single Boom Setup**





### Boom Setup (cont'd)

#### Boom Components

### ⚠ WARNING

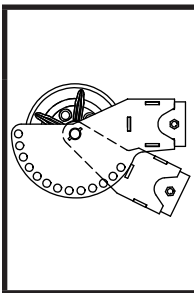
- Use only Greenlee supplied booms or straight 3" diameter rigid steel conduit or Schedule 40 steel pipe for the boom tubes.
  - Do not use boom tubes longer than 3 meters (10'). Longer booms may bend or break.
- Failure to observe this warning could result in severe injury or death.

Use these boom tubes only:

- Boom tubes supplied with the UT10
- 3" rigid steel conduit (3 m or 10' maximum)
- 3" Schedule 40 pipe (3 m or 10' maximum)

If using 3" rigid conduit in place of the standard booms:

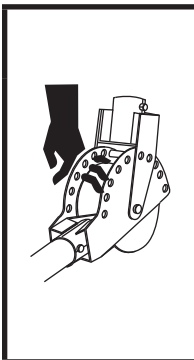
1. Insert the conduit while pulling out the detent rings.
2. Slide the conduit fully in and verify it is seated through the sight holes.
3. Use 1/2"-13 screws (not supplied) in the weld nuts to lock the conduit in place.



### ⚠ WARNING

If the elbow/nose unit is disassembled, reassemble unit as shown. Improper setup will cause the elbow unit to collapse.

Failure to observe this warning could result in severe injury or death.

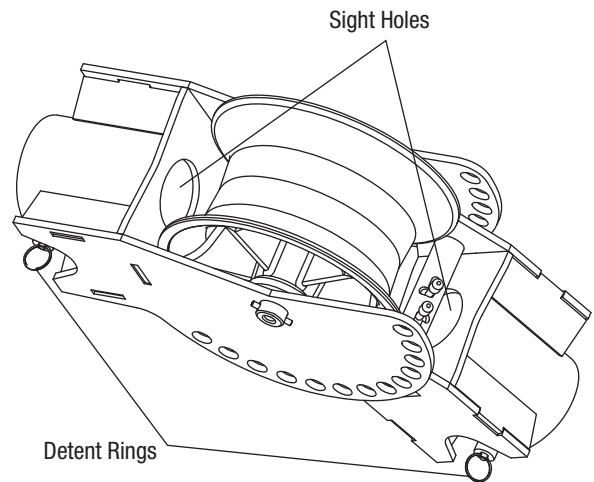


### ⚠ WARNING

**Shear point:**

Never put fingers through holes in boom components. Pivoting of mating arts may cut off fingers. Always keep elbow unit locked with pivot pin except while adjusting.

Failure to observe this warning could result in severe injury or death.



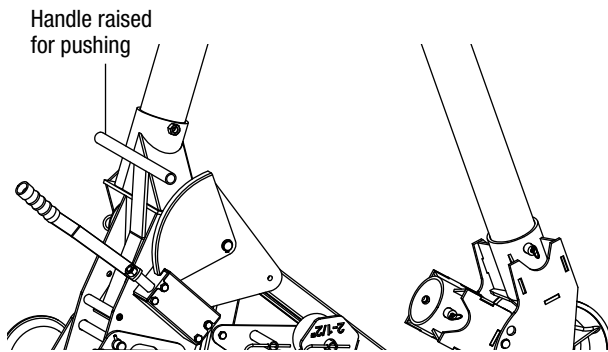
## Transporting the Boom

### Wheeling

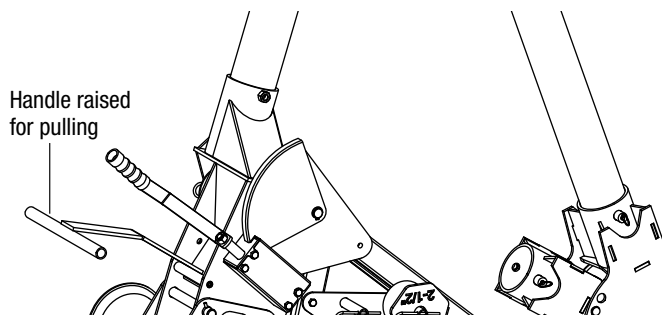
1. **If the unit had been set up for an up pull:**
  - a. Lower the nose to the floor to get to the Teepee transport position.
  - b. Lock the elbow pivot detents in the inward position.
  - c. Raise the boom by cranking until the nose is off the floor, and release the detents.

#### **If the unit had been set up for a down pull:**

- a. Release the elbow pivot detents, fold the forward boom back to the next to last position, and lock the elbow.
  - b. Raise the boom all the way up until it hits the stop.
  - c. Release the ring pull detent that locks the back boom to the elbow, and rotate the elbow 180° into its Teepee position.
2. Lift the push/pull handle up until it contacts the boom mount to push the carriage. Use the same handle to pull the unit.



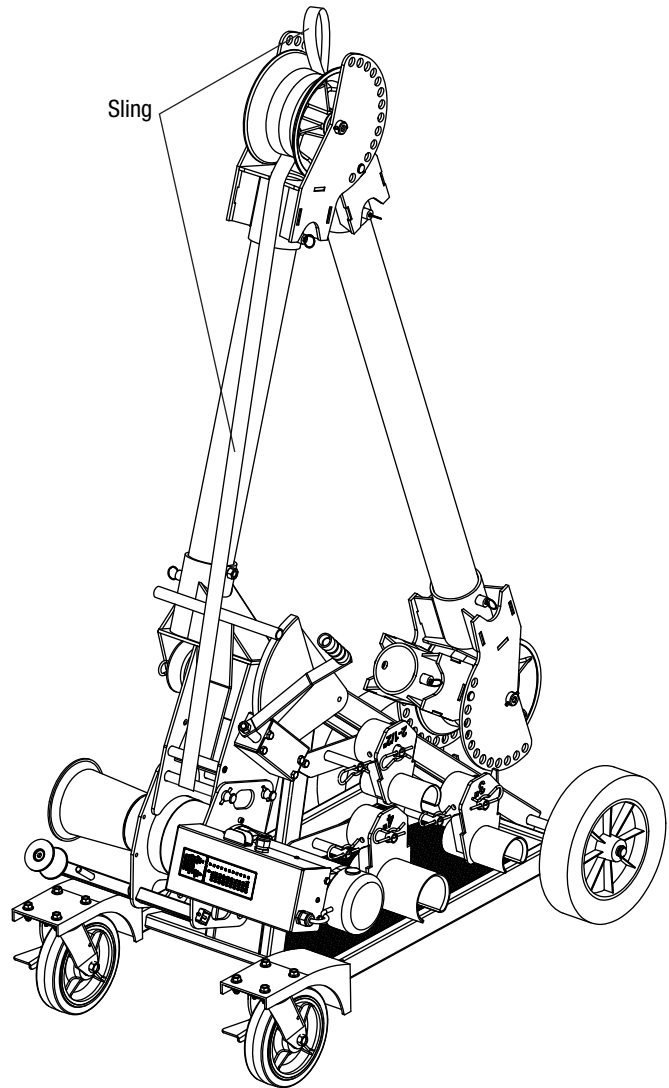
**Handle Position for Pushing**



**Handle Position for Pulling**

### Lifting

1. Connect a lifting sling to the top puller head mounting pin.
2. Feed the sling up between the sheave and frame of the elbow so that it is trapped.
3. Lift the sling from above the elbow.



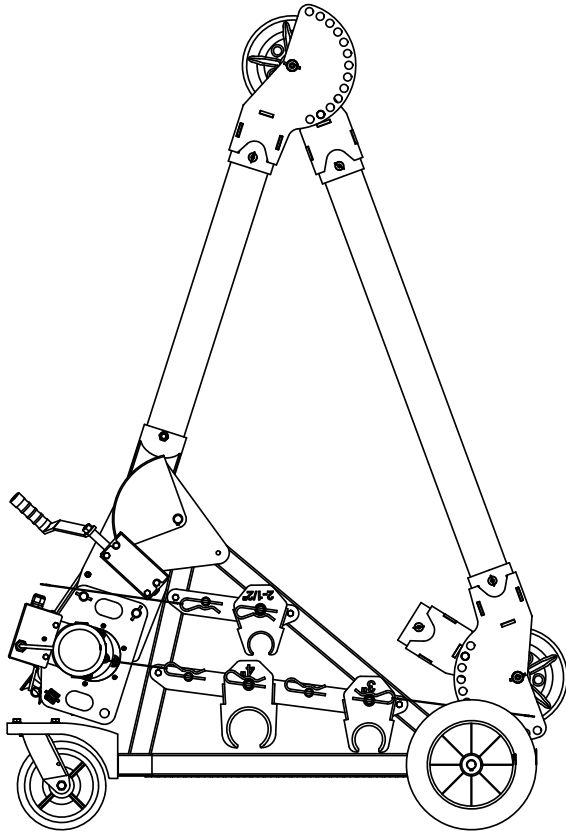
3. Fold the handle down on top of the puller head when not in use to keep it out of the way.

## OPERATION

### Boom Operation

#### Raising and Lowering

The boom can be raised and lowered using the crank in front of the puller. Turn the crank counterclockwise to raise the boom, and clockwise to lower it. When starting from the Teepee position, unlock the elbow before lowering to prevent the boom from crashing against the carriage.



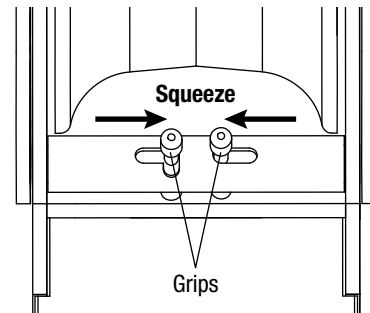
**Teepee Position**

#### Pivoting the Elbow and Nose Units

The elbow and nose units are physically identical and can be used interchangeably. For the sake of clarity, in this manual:

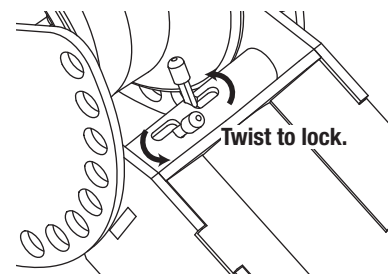
- “Nose” refers to the unit that attaches to the conduit via couplers.
- “Elbow” refers to the unit that connects the two boom tubes.

The elbow/nose units pivot and lock at various degrees of rotation. They are locked in place by a detent pin set located between the sheave and the end of the boom tube receptacle. To pivot, squeeze the grips on the detent pins fully inward.



Make sure the detent pins on both sides are fully retracted before trying to pivot. Release the grips when the desired pivot angle is reached, and pivot slightly more to allow both detents to engage in the closest holes.

When the detent pins are squeezed to the fully inward position, they can be locked in place by twisting them counterclockwise.



Never pull cable with the detent pins locked inward; both the elbow and nose must be locked from pivoting before pulling.

## Boom Operation (cont'd)

### Boom Tubes

The pulling system comes standard with a 4' and 3' long boom. The default setup is with the 3' boom between the puller and elbow, and the 4' tube between the elbow and nose. This setup can be reversed at the user's discretion. The boom tubes are held in place by detent pins with pull rings.

In addition, 3" rigid conduit up to 10' long can be substituted for either or both of the boom tubes. If 3" rigid conduit is used, two conditions must be accounted for:

- Because the detents will not hold the conduit in place in the receptacles, the conduit must be clamped in place opposite the detent pins using 1/2"-13 screws (not supplied).
- Because the weight will be too great to use the crank to raise and lower the boom, manual assist is required.

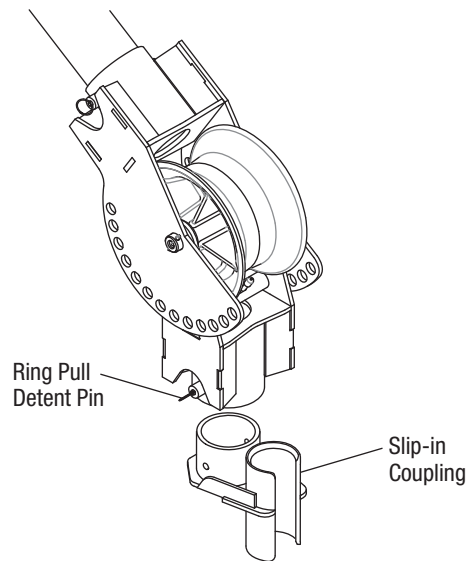
### Conduit Adapter Couplings

Couplings to attach the puller system to the conduit are available in 2", 2-1/2", 3", 3-1/2", 4", and 5" sizes.

There are two types: slip-in and screw-on:

- Slip-in couplings are the easiest to use but do intrude on the ID of the conduit.
- Screw-on couplings do not decrease the effective ID of the conduit, but take longer to set up.

If longer than standard booms are being used, screw-on couplings may be necessary to support the boom and prevent it from falling. The conduit adapter couplings fit into the same receptacles as the boom tubes and are retained by the same ring pull detent pins.



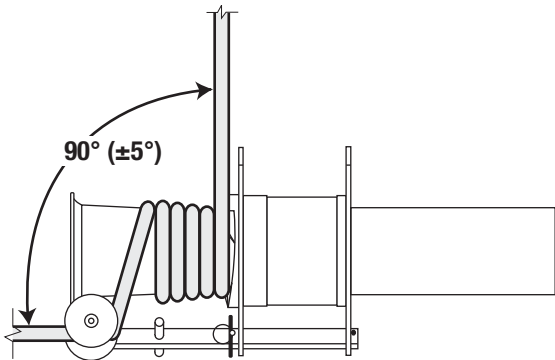


### Puller Operation

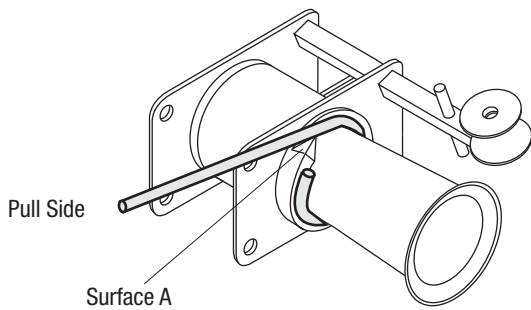
1. Fish the rope through the conduit.
2. Set up the cable puller. Refer to the illustrations and instructions in the “Typical Setups” section.

**⚠ WARNING**

Set up the cable puller so that the rope will approach the capstan at an angle of 90° (±5°). Angles outside of this range may cause the rope to overlap.



3. Set the rope ramp as follows:



- a. Wind the rope several times around the capstan.
  - b. Pull the ramp away from the mounting plate and rotate it until Surface A contacts the rope.
  - c. Push the ramp toward the mounting plate and rotate it counterclockwise until it locks into place.
4. Plug the puller into a 20 amp grounded outlet. Turn on the switch/circuit breaker.
  5. The lights will cycle through a power up sequence with only the “0” light remaining lit. The default startup speed is high. The high speed light will be lit. To change the speed to low, double tap the foot switch. The low speed light will illuminate. Double tap the foot switch again to change back to high speed.

6. After the foot switch is depressed, the green light indicating 0 lb will be lit. As the force climbs, an additional light illuminates for every 1000 lb increase in pulling force.
  - If the continuous operating limit of the puller is exceeded in high speed mode, the green lights start to flash.
  - If the continuous operating limit of the puller is exceeded in low speed mode, the yellow lights illuminate.
  - The red light illuminates at 10,000 lb to indicate that the maximum operating limit of the puller has been reached. The circuit breaker (or current limiting) may shut down the puller before or shortly after the red light illuminates.
7. Make sure all nearby personnel are not standing in line with or close to the pull rope. The right angle sheave on the UT10 should be used to allow the operator to stand off to the side as required.
8. Position yourself so that you can see the force gauge indicator lights. Refer to the table below.

#### Force Gauge Indicator Lights

State of Force Lights	Pulling Force (lb)	Duty Cycle
Green	0–6500 (low)	Continuous
	0–3250 (high)	
Green flashing	3250–4000 (high)	15 ON/15 OFF
Yellow	6500–8000 (low)	15 ON/ change to low
Red	Over 8000	STOP

9. Grasp the tailing end of the rope. Apply a slight amount of tailing force.
10. Start the puller by pressing and holding down the foot switch.
11. Tail the rope, allowing the spent rope to accumulate on the floor between the operator and the puller.
12. When the pull is complete, turn the puller OFF. Tie off the rope and anchor the cable.

## Removing Cable

Removing old cable involves the same principles as installing new cable. However, there are some important differences.

### Pulling Force

It is difficult to predict the amount of pulling force necessary to remove an old cable. The cable may be damaged, and it may break with an unexpectedly low pulling force.

The required pulling forces may be very high:

- The cable has probably “taken a set.” Unlike the new cable on a reel, cable in conduit has probably been in the conduit for years, or perhaps decades. The cable will resist bending and straightening as it is pulled through the conduit.
- The pulling lubricant has probably hardened, increasing pulling resistance.
- The insulation may be damaged and the cable may be corroded.
- Dirt or other foreign matter may have entered the conduit and may have cemented the cable in place.

### Puller Placement

Pulling out old cable is generally accomplished with the puller located some distance away from the end of the conduit. This allows the pulling crew to pull out a long section of cable before turning off the puller, cutting off the cable, and reattaching the grip(s). Mounting the cable puller a distance away from the end of the conduit increases the amount of exposed rope, which greatly increases the amount of violent whipping action which would occur if the rope were to break.

To isolate the operator from the rope path:

- Locate the puller so that you will stand behind an obstruction, such as a wall. Set up the puller so that you will be able to maintain control of the pull. You need a clear view of the rope as it feeds onto the capstan, including several feet of the rope in front of the capstan. You must be able to turn off the puller before the pulling grip, connector, or swivel contacts the capstan.
- Use an additional pulling sheave (if necessary) to change the direction of the tailing rope. Anchor the sheave so that you are close enough to maintain control of the pull. You need a clear view of the rope as it feeds onto the capstan, including several feet of the rope in front of the capstan. You must be able to turn off the puller before the pulling grip, connector, or swivel contacts the capstan.  
*Note: Use the additional pulling sheave to change the direction of the tailing rope (after the rope leaves the capstan). Do not change the direction of the pulling rope.*
- Use a longer tailing rope than usual and stand away from the puller. Stand as far from the puller as possible, while maintaining control of the pull. You need a clear view of the rope as it feeds onto the capstan, including several feet of the rope in front of the capstan. You must be able to turn off the puller before the pulling grip, connector, or swivel contacts the capstan.



## SERVICE

**Tool service must be performed only by qualified repair personnel.** Service or maintenance performed by unqualified personnel could result in a risk of injury.

**When servicing a tool, use only identical replacement parts. Follow instructions in the “Maintenance” section of this manual.** Use of unauthorized parts or failure to follow maintenance instructions may create a risk of electric shock or injury.

## Maintenance

### IMPORTANT

**Maintenance should be performed by authorized personnel only.**

### General Maintenance Notes

- Replace any part that is broken, cracked, or worn.
- Replace any bearings that don't turn freely.
- Clean all mating surfaces before assembly.
- Replace gearbox grease with Sentinel SL-WPG or equivalent.

### Specific Service Notes

- Average brush life for commutator brushes is about 100 hours. Replace brushes if they are shorter than 9.5 mm (3/8").
- Replace rope ramp if it is grooved more than 6.5 mm (1/4").
- Replace the capstan if it is grooved more than 0.15 mm (1/16").
- The puller should not require any lubrication during its normal service life.

### Control Box Removal and Disassembly

1. Remove the four hex head cap screws and nuts that secure the clamp to the control box.
2. Loosen the motor and power cord strain reliefs. Remove the six screws securing the cover to the base plate.
3. Disconnect the white and black motor leads from the circuit board.
4. Unscrew the green ground wire from the base plate.
5. Disconnect the ribbon cable.
6. Disconnect the power cord at the circuit board and breaker.
7. Disconnect the foot switch plug.
8. Pull the control unit free.

### Switchbox Assembly Notes

1. The ribbon cable has an arrow at the No. 1 pin connection, which goes next to the foot switch receptacle.
2. The foot switch plugs into the receptacle closest to the ribbon cable.
3. The white motor lead connects to the tab closest to the foot switch plug.

### IMPORTANT

The first reduction hub will be damaged if the leads are reversed.

### Motor Removal

1. Remove the control box.
2. Remove the black commutator brush caps and pull out the commutator brushes.
3. Use a 7/16" socket to remove nuts and washers at rear of motor.
4. Pull the tail housing off the motor.
5. Pull off the magnet housing.
6. Pull out the armature.

### Motor Assembly Notes

1. If the armature does not turn freely after installation, the wrong gear teeth were engaged.
2. Hold armature in place when installing the magnet housing.
3. Insert magnet housing roll pin into the recess on the tail housing.

### Capstan Removal

1. Use a 1-1/8" socket to remove capstan retaining bolt and washers.
2. Pull the capstan off of the shaft.  
If the capstan is stuck: Pull out the rope ramp. Use two pry bars on opposite sides of the capstan between the gear housing and the capstan.
3. Remove key.
4. Remove rope ramp.

### Capstan Assembly Notes

1. Remove oxidation before assembling.
2. **Do not hammer capstan onto shaft.** Use a 65 mm (2-1/2") or longer bolt to draw the capstan onto the shaft.

## Maintenance (cont'd)

### Right Angle Sheave Bracket Removal

1. Remove detent pin.
2. Slide arm towards motor. Use a small punch to remove the roll pin.
3. Remove bracket.

### Gearbox Disassembly

1. Remove control box, motor, capstan, and right angle sheave bracket.
2. Remove the six screws securing the motor mounting plate.
3. Remove the motor mounting plate.
4. Remove the two additional screws still retaining the intermediate housing (one inside and one outside).
5. Remove the intermediate housing.
6. Remove the reversing gear and shaft. Slide the high and low gears off the planetary input shaft.
7. Remove the six screws securing the puller mounting plate.
8. Remove the puller mounting plate and planetary input plate.
9. Remove the 1st reduction sun gear and shaft with bearing from the planetary input plate.
10. Pull out the 1st reduction gear cluster.
11. Pull out the 2nd reduction gear cluster and center shaft.
12. Pull out the output shaft and 3rd reduction cluster.
13. Remove the six screws securing the remaining puller mounting plate.
14. Remove the mounting plate and ring gear.
15. Remove dowels, washers, and keys, as necessary.

### Gearbox Assembly Notes

1. Clean all ring mating surfaces. Apply a flange sealant (Loctite® 515 or equivalent) to all ring mating surfaces.
2. Install the mounting plates. When viewed from the motor end, the motor mounting studs should be positioned at 1 and 7 o'clock. The square hole in the mounting plate should be between 10 and 11 o'clock.
3. Position mounting plates so the screw heads on the capstan side fit into the counterbores of the mounting plates.
4. Assemble the high and low speed gears so that they freewheel clockwise and lock counterclockwise as viewed from the motor end.

### Disassembly of Planet Gear Carriers

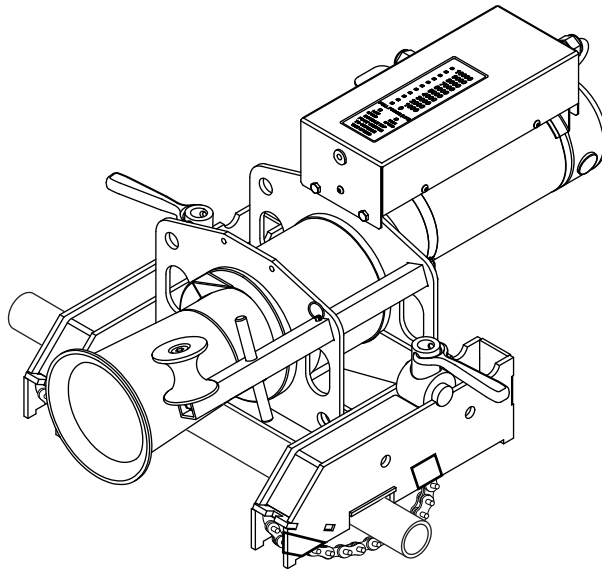
1. Remove the flat head screws.
2. Tap or pry off the hub plate from the hub and dowel pins.
3. Remove the thrust washers, gears, thrust washers and shaft.
4. Remove sun gear ONLY if replacement is required.

### Planet Gear Carrier Assembly

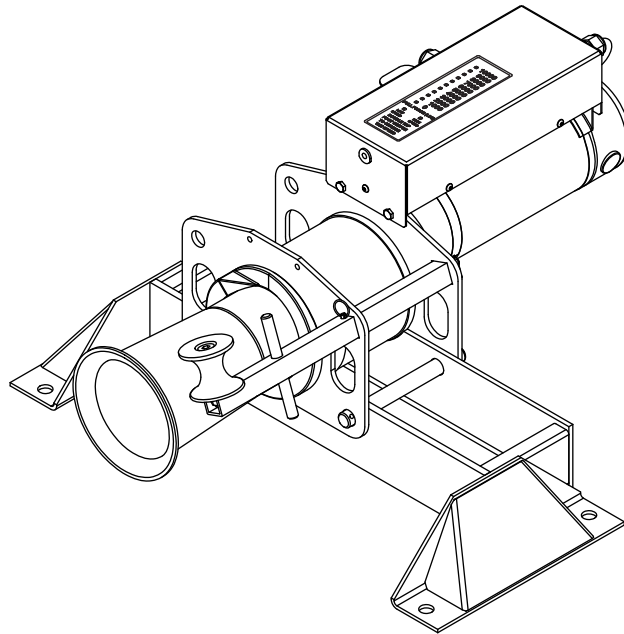
1. Place the shafts in the hub. The end with the flat should face outward.
2. The 1st planet reduction gears must be positioned with the gear end towards the capstan.
3. When replacing the 1st reduction gear bearing/clutch, the locked arrow direction must be counterclockwise (when viewed from the gear end).
4. **When replacing the ball bearing on the output shaft, the thick side of the outer race must face the capstan.**
5. Use a removable thread-locking compound, such as Loctite® 242® Threadlocker or equivalent, on the #10-32 flat head screws (items 35 and 36 on the gearmotor). Follow the manufacturer's instructions for curing.



**ACCESSORIES**



**Chain Mount—Secured to Steel Conduit or Pipe**




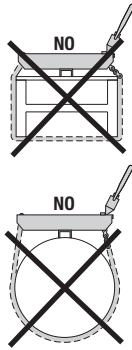
**Floor Mount—Secured to a Concrete Floor**

## Setup—Chain Mount

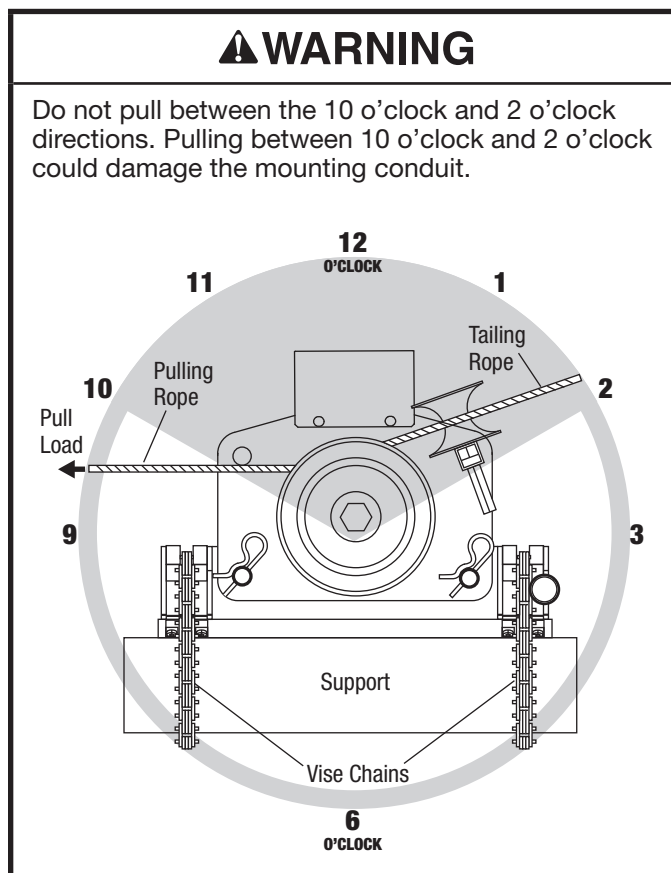
Requires: Exposed metallic conduit with the following characteristics:

- 63.5 mm to 254 mm (2-1/2" to 10") in diameter
- Capable of withstanding at least 44.5 kN (10,000 lb) of force

	<b>⚠ WARNING</b>
	<p>Do not mount the chain mount to the following:</p> <ul style="list-style-type: none"> <li>• Steel conduit less than 63.5 mm (2-1/2") in diameter</li> <li>• PVC conduit of any size</li> </ul> <p>These conduits will not support the loads imposed by the puller.</p> <p>Failure to observe this warning could result in severe injury or death.</p>

	<b>⚠ WARNING</b>
	<p>When setting up the pipe adapter, do not use the vise chains on a structural support that is less than 51 mm (2") or more than 254 mm (10") wide. An oversized or undersized structural support can allow the puller to slide or break loose and strike nearby personnel.</p> <p>Failure to observe this warning could result in severe injury or death.</p>

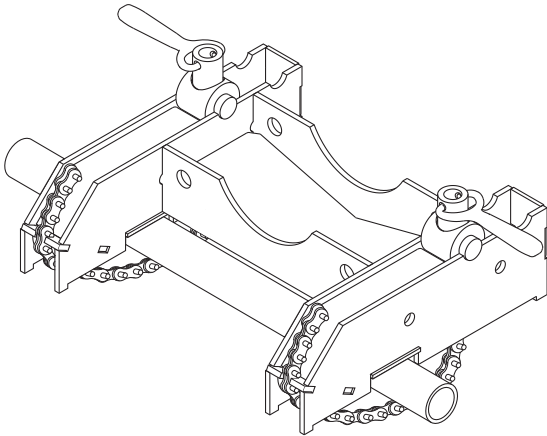
<b>⚠ WARNING</b>
<p>Install the vise chains properly.</p> <ul style="list-style-type: none"> <li>• Follow the vise chain tightening instructions carefully. Improperly tightened chains can allow the puller to slide or break loose and strike nearby personnel.</li> <li>• Do not allow the vise chains to bind at the corners when mounting the puller to a square or rectangular support. The vise chain must be uniformly tight at all points.</li> </ul> <p>Failure to observe this warning could result in severe injury or death.</p>



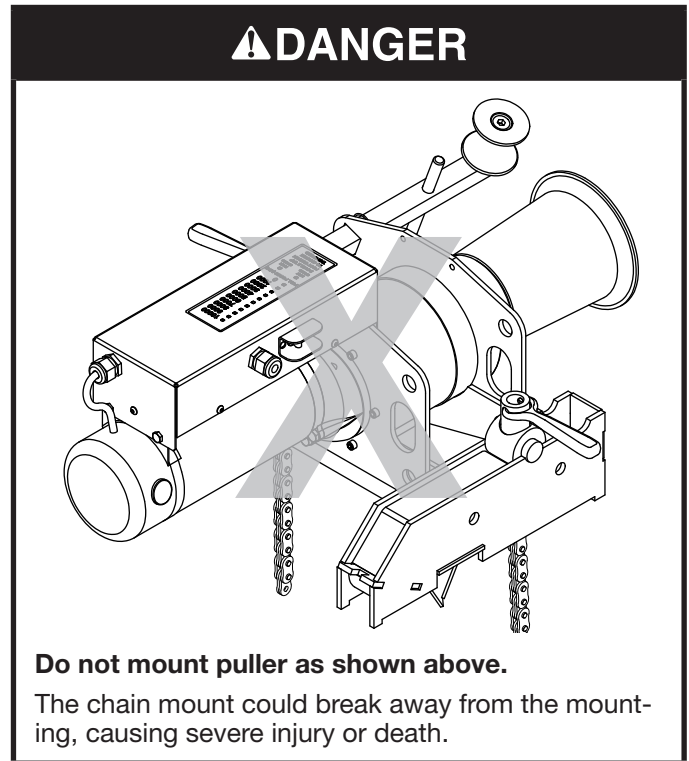
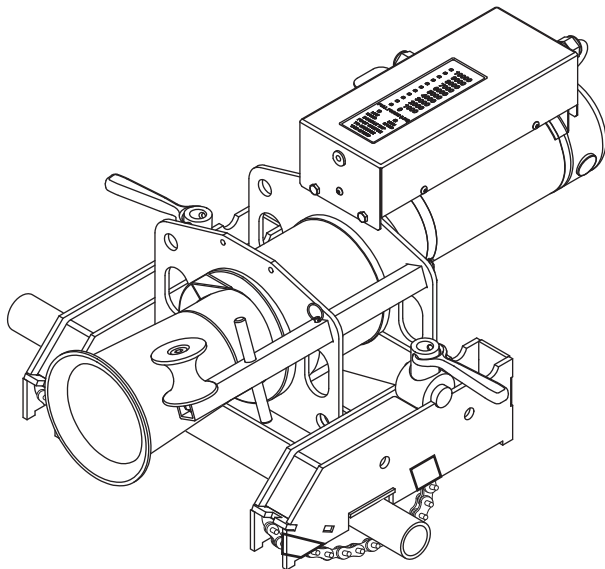


**Setup—Chain Mount (cont'd)**

1. On each vise chain unit:
  - a. Rotate the vise chain handle counterclockwise to expose most of the threads. Leave only three or four threads engaged in the handle.
  - b. Wrap the chain around the conduit.



- c. Pull the vise chain tight and insert the chain pins into the chain pockets, or recesses.
  - d. Turn the handle clockwise to tighten the chain. Tighten as much as possible by hand. Do not use a “cheater.”
2. Set the puller into the cradle of the chain mount, as shown, so that the inside of the capstan is directly over the mounting.
3. Install two pins from the motor side. Secure the pins with two hitch pin clips.



## Setup—Floor Mount

Requires: A concrete floor with the following characteristics:

- Fully cured structural-type concrete
- Minimum compressive strength of 211 kg/cm<sup>2</sup> (3000 psi)
- Free of cracks, crumbling, or patchwork

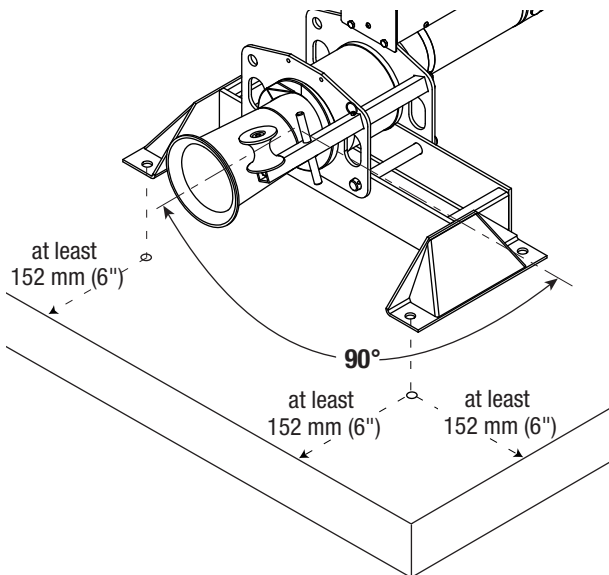
### **⚠ WARNING**

Follow all floor mounting instructions carefully.

- An improperly attached floor mount can come loose and strike nearby personnel.
- Do not attach the floor mount to masonry, brick, or cinder block. These materials will not hold the anchors securely.

Failure to observe this warning could result in severe injury or death.

1. Determine the best position for locating the floor mount. Locate the floor mount:
  - on a flat section
  - at least 152 mm (6") from edge of concrete
  - as close to the conduit as possible to reduce the amount of exposed rope under tension
  - so that the pull rope will approach the puller's capstan at a 90° (±5°) angle.



2. Set the floor mount in the desired location. Use the floor mount as a template to drill four 5/8" holes at least 152 mm (6") deep.

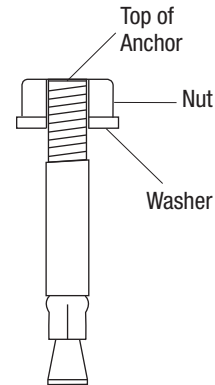
*Note: Use a 5/8" carbide-tipped masonry bit manufactured in accordance with ANSI standard B94.12-77.*

3. Vacuum the debris from the holes.

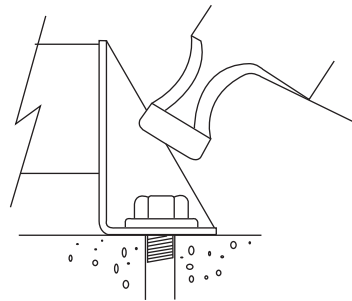
## Installation

Greenlee recommends using Greenlee 35607 Wedge Anchors. If another type of anchor is used, they must have an ICBO (International Conference of Building Officials) allowable tension and shear rating of 10.7 kN (2400 lb) in 211 kg/cm<sup>2</sup> (3000 psi) concrete.

1. Assemble the nut and washer to the anchor so the top of the nut is flush with the top of the anchor, as shown.



2. Insert the four anchors through the floor mount and into the holes in the floor.
3. Hammer the anchors in until the washer is in firm contact with the floor mount.



4. Expand the anchors by torquing the nuts to 122 to 128 Nm (90 to 95 ft-lb).

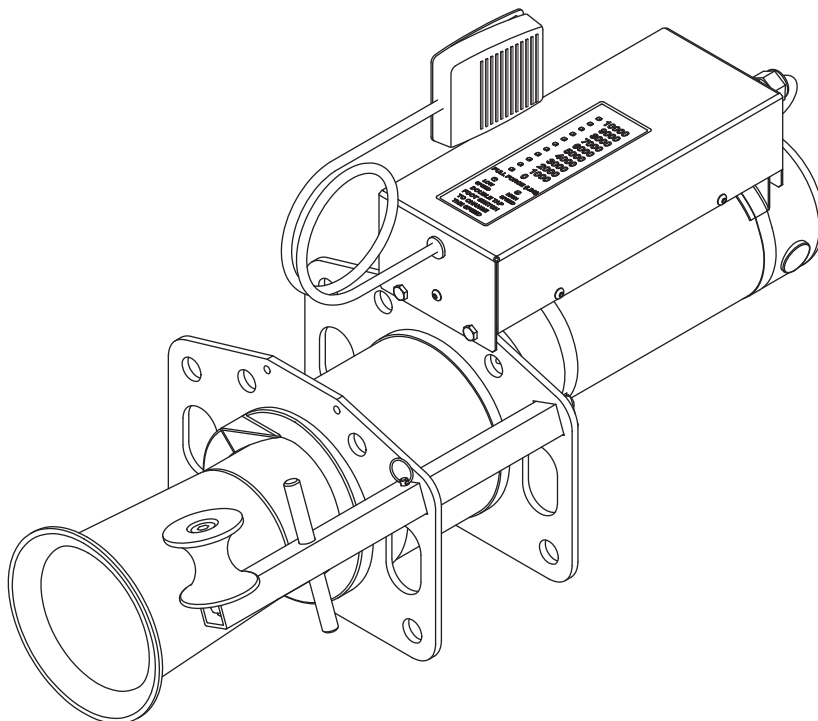
### **⚠ WARNING**

If any of the four anchors spin before the minimum torque is achieved, abandon the location and start elsewhere. An improperly installed anchor can allow the puller to break loose.

Failure to observe this warning could result in severe injury or death.

5. Have the installation checked by a qualified inspector.

# MANUAL DE INSTRUCCIONES



## Tiracables y conjuntos de tracción de cables UT10 Ultra Tugger®

Códigos de serie ANB y BBD



**Lea y entienda** todas las instrucciones y la información sobre seguridad que aparecen en este manual, antes de manejar esta bomba o darle mantenimiento.

Registre este producto en [www.greenlee.com](http://www.greenlee.com)

## Índice

Descripción .....	38	
Acerca de la seguridad.....	38	
Propósito de este manual .....	38	
Reglas de seguridad general.....	39	
Reglas de seguridad específicas y símbolos .....	40-43	
Instrucciones de puesta a tierra.....	43	
<b>DESCRIPCIÓN FUNCIONAL</b>		
Identificación .....	44-45	
Especificaciones .....	46	
Glosario de tracción de cables.....	47	
Principios de tracción de cables .....	48-56	
Sistemas de tracción de cables.....	48	
Teoría de tracción .....	49	
Fuerzas de tracción de cables.....	50-54	
Tiro de la cola de la sogas.....	55	
Resumen de los principios de tracción de cables...	56	
Planeamiento del tiro del cable .....	56	
<b>ENSAMBLAJE</b>		
Ensamblaje/Desensamblaje del brazo .....	57	
Instalación del brazo .....	58-61	
Tracción ascendente partiendo de una posición de tipi .....	58	
Tracción descendente partiendo de una posición de tipi .....	59	
Tracción horizontal.....	60	
Tracción con un solo brazo.....	60	
Componentes del brazo .....	61	
Transporte del brazo .....	62	
<b>OPERACIÓN</b>		
Operación del brazo .....	63-64	
Funcionamiento del tiracables .....	65	
Desmontaje del cable.....	66	
<b>SERVICIO</b> .....		67
Mantenimiento.....	67-68	
<b>ACCESORIOS</b> .....		69
Instalación — Montaje de cadena.....	70-71	
Instalación — Montaje al piso .....	72	
<b>Ilustración y listas de piezas</b>		
Ultra Tugger 10 .....	109-110	
Motor de engranajes.....	111-112	
Carro móvil y brazo.....	113-114	
Accesorios .....	115	
Interruptor De Pedal .....	116	

## Descripción

El tiracables UT10 Ultra Tugger® de Greenlee está diseñado para tirar de cables a través de conductos y en bandeja. El modelo UT10 desarrollará 44,5 kN (10.000 lb) de fuerza de tracción. Consulte un catálogo de Greenlee a manera de determinar las roldanas, sogas de tiro y otros accesorios del tiracables para crear un sistema completo de tracción de cables.

Ningún manual puede brindarle instrucciones para todas las posibles aplicaciones de un tiracables; este manual contiene información general necesaria para tirar de cables en diferentes tipos de instalación.

## Acerca de la seguridad

Es fundamental observar métodos seguros al utilizar y dar mantenimiento a las herramientas y equipo de Greenlee. Este manual de instrucciones y todas las marcas que ostenta la bomba le ofrecen la información necesaria para evitar riesgos y prácticas poco seguras relacionados con su uso. Siga toda la información sobre seguridad que se proporciona.

## Propósito de este manual

Este manual tiene como propósito familiarizar a todo el personal con los procedimientos de operación y mantenimiento seguros para el tiracables UT10 Ultra Tugger® de Greenlee.

Siempre mantenga este manual al alcance de todo el personal.

Puede obtener copias adicionales de manera gratuita, previa solicitud en [www.greenlee.com](http://www.greenlee.com).

Todas las especificaciones son nominales y podrían cambiar según se hagan mejoras en el diseño. Greenlee Tools, Inc. no será responsable por daños que resulten de la aplicación o uso indebidos de sus productos.

Ultra Tugger es una marca registrada de Greenlee Tools, Inc.  
Loctite y 242 son marcas registradas de Henkel Corporation.

# CONSERVE ESTE MANUAL

## **REGLAS DE SEGURIDAD GENERAL**

**¡ADVERTENCIA! Lea y entienda todas las instrucciones.** El no observar todas las instrucciones que aparecen abajo podría resultar en choque eléctrico, incendio y/o lesiones personales graves.

### **CONSERVE ESTAS INSTRUCCIONES**

#### **SEGURIDAD DEL ÁREA DE TRABAJO**

**Mantenga el área de trabajo limpia y bien iluminada.** Los bancos desordenados y las áreas oscuras propician accidentes.

**No use herramientas eléctricas en atmósferas explosivas, como ocurre en presencia de líquidos, gases o polvos inflamables.** Las herramientas eléctricas generan chispas que pueden encender el polvo o los vapores.

**Mantenga alejados a observadores, niños y visitantes mientras opera una herramienta eléctrica.** Las distracciones pueden causarle la pérdida del control.

#### **SEGURIDAD EN MATERIA DE ELECTRICIDAD**

**Las herramientas con conexión a tierra deben enchufarse a tomacorrientes correctamente instalados y puestos a tierra de acuerdo con todos los códigos y ordenanzas. Nunca elimine la pata de conexión a tierra ni modifique el enchufe en forma alguna. No utilice ningún tipo de enchufe adaptador. Si duda de que el tomacorriente esté correctamente puesto a tierra, consulte con un electricista calificado.** Si las herramientas sufren un desperfecto eléctrico o se averían, la conexión a tierra permite desviar del usuario el paso de la corriente.

**Evite el contacto corporal con superficies conectadas a tierra tales como tuberías, radiadores, estufas y refrigeradores.** Existe un mayor riesgo de electrocución si su cuerpo se conecta a tierra.

**No exponga las herramientas eléctricas a la lluvia ni a condiciones de humedad.** El agua que ingrese a una herramienta eléctrica aumentará el riesgo de electrocución.

**No use indebidamente el cordón eléctrico. Nunca use el cordón para transportar las herramientas ni tire de él para sacar el enchufe del tomacorriente. Mantenga el cordón eléctrico alejado del calor, aceite, bordes filosos y piezas móviles. Si se daña, reemplace inmediatamente el cordón.** Los cordones eléctricos dañados aumentan el riesgo de electrocución.

**Cuando utilice herramientas eléctricas al aire libre, use un cable de extensión para exteriores marcado "W-A" o "W".** Este tipo de cordones están especificados para exteriores y reducen el riesgo de electrochoque.

#### **SEGURIDAD PERSONAL**

**Esté alerta, vea lo que está haciendo y use el sentido común al operar una herramienta eléctrica. No use una herramienta cuando esté cansado o esté bajo la influencia de drogas, alcohol o medicamentos.** Un momento de descuido mientras opera herramientas eléctricas podría provocarle lesiones personales graves.

**Vista apropiadamente. No use ropa suelta ni joyería.** Sujete el cabello largo. **Mantenga su cabello, ropa y guantes alejados de las partes móviles.** La ropa y joyería holgadas, o el cabello largo pueden quedar atrapados en las partes móviles.

**Evite que la unidad se encienda accidentalmente.**

Cerciórese de apagarla antes de enchufar. Portar la herramienta con el dedo en el interruptor o enchufarla con el interruptor cerrado propicia accidentes.

**Antes de encender la herramienta, retire interruptores o chavetas de ajuste.** Una llave para tuercas o la llave de ajuste que se deje acoplada a una pieza rotativa de la herramienta pueden provocar lesiones personales.

**No se extienda demasiado. Mantenga una postura correcta y el equilibrio en todo momento.** Estar bien apoyado y en equilibrio permite controlar mejor la herramienta en situaciones inesperadas.

**Use equipo de seguridad. Use siempre protección ocular.** Cuando las condiciones lo exijan, debe usarse máscara contra el polvo, calzado antiderrapante, casco y protección para los oídos.

#### **USO Y CUIDADO DE LA HERRAMIENTA**

**Utilice abrazaderas u otra forma práctica de asegurar y apoyar la pieza de trabajo a una plataforma estable.** Sujetar la pieza de trabajo con la mano o contra su cuerpo no es seguro y podría ocasionar una pérdida de control.

**No fuerce la herramienta. Use la herramienta apropiada para su aplicación.** La herramienta apropiada hará mejor el trabajo, con mayor seguridad a la velocidad para la cual está diseñada.

**No use la herramienta si el interruptor no la enciende o no la apaga.** Cualquier herramienta que no se pueda controlar con el interruptor es peligrosa y debe ser reparada.

**Desenchufe de la fuente de alimentación antes de hacer ajustes, cambiar accesorios o guardar la herramienta.** Dichas medidas de seguridad preventivas reducen el riesgo de encender accidentalmente la herramienta.

**Guarde las herramientas que no esté usando fuera del alcance de los niños y demás personas que no hayan recibido capacitación para usarlas.** Las herramientas son peligrosas en las manos de usuarios sin capacitación.

**Dé mantenimiento cuidadoso a las herramientas. Mantenga las herramientas de corte bien afiladas y limpias.** Las herramientas que reciben el mantenimiento debido, con bordes de corte filosos, tienen menos probabilidades de entraparse y son más fáciles de controlar.

**Verifique que no haya desalineación y agarrotamiento de partes móviles, ruptura de componentes ni cualquier otra condición que pueda afectar el funcionamiento de la herramienta. Si se daña la herramienta, solicite su reparación antes de usar.** Muchos accidentes son causados por herramientas con mantenimiento deficiente.

**Use sólo los accesorios recomendados por el fabricante de su modelo.** Los accesorios correspondientes a una herramienta pueden resultar un riesgo si se usan con otra herramienta.

#### **SERVICIO**

**Sólo técnicos calificados deben hacerle servicio a la herramienta.** Si el servicio o el mantenimiento es efectuado por personal no calificado, se corre el riesgo de sufrir lesiones.

**Cuando le haga el servicio a la herramienta, utilice únicamente repuestos idénticos. Siga las instrucciones contenidas en la sección "Mantenimiento" de este manual.** El uso no autorizado de piezas o no seguir las instrucciones de mantenimiento pueden dar lugar a un electrochoque o lesiones.

## REGLAS DE SEGURIDAD ESPECÍFICAS Y SÍMBOLOS



### SÍMBOLO DE ALERTA SOBRE SEGURIDAD

Este símbolo se utiliza para indicar un riesgo o práctica poco segura que podría ocasionar lesiones o daños materiales. Cada uno de los siguientes términos denota la gravedad del riesgo. El mensaje que sigue a dichos términos le indica cómo puede evitar o prevenir dicho riesgo.

#### ⚠ PELIGRO

Peligros inmediatos que, de no evitarse, OCASIONARÁN graves lesiones o incluso la muerte.

#### ⚠ ADVERTENCIA

Peligros que, de no evitarse, PODRÍAN OCASIONAR graves lesiones o incluso la muerte.

#### ⚠ ATENCIÓN

Peligros o prácticas peligrosas que, de no evitarse, PUEDEN OCASIONAR lesiones o daños materiales.



#### ⚠ PELIGRO

Lea y entienda todas las instrucciones y la información sobre seguridad que aparecen en este manual, antes de manejar esta bomba o darle mantenimiento.

De no observarse esta advertencia pueden sufrirse graves lesiones o incluso la muerte.

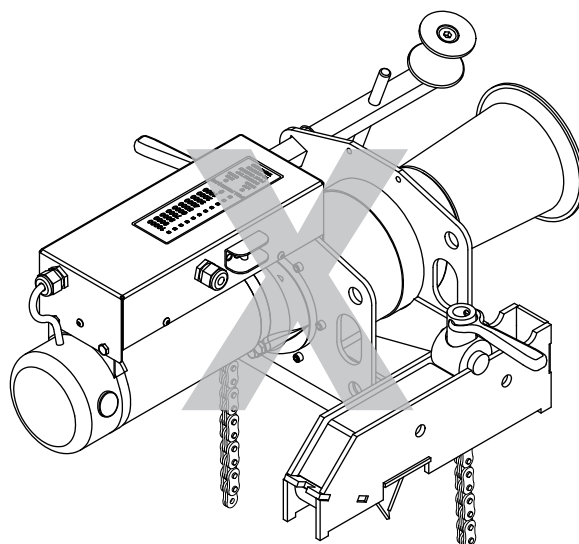


#### ⚠ PELIGRO

No accione el tiracables en un entorno peligroso. Entre los riesgos se incluyen los líquidos y gases inflamables.

De no observarse esta advertencia pueden sufrirse graves lesiones o incluso la muerte.

#### ⚠ PELIGRO



**No instale el tiracables de la manera que se muestra arriba.**

El interior del cabrestante deberá quedar centrado sobre el conducto.

El montaje de cadena podría desprenderse de la base y causar lesiones graves o la muerte.



#### ⚠ ADVERTENCIA

Peligro de electrocución:


Desconecte el tiracables de la fuente de alimentación eléctrica antes de brindarle mantenimiento.


De no observarse esta advertencia podrían sufrirse lesiones graves o incluso la muerte.

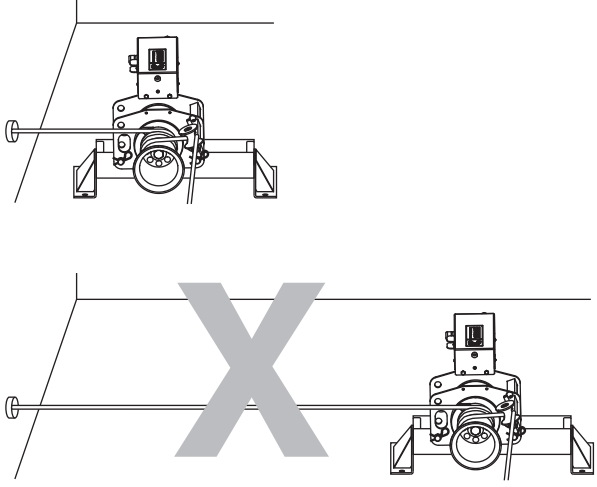


**REGLAS DE SEGURIDAD ESPECÍFICAS Y SÍMBOLOS**

	<p><b>⚠ADVERTENCIA</b></p>
	<p>Antes de instalar el tiracables, inspeccione y verifique la capacidad máxima de carga o la resistencia máxima de todos los apoyos estructurales, de los componentes del sistema de tracción y de los sistemas de anclaje. Cualquier componente que no resista las fuerzas máximas de tracción de cables puede romperse y golpear al personal con suficiente fuerza para causar lesiones graves o la muerte.</p>

	<p><b>⚠ADVERTENCIA</b></p>
	<p>No permita que nada que no sea la soga de tiro haga contacto con el cabrestante. Una abrazadera, una placa giratoria u otro componente podría romperse y golpear contundentemente al personal que se encuentre en el área.</p> <p>De no observarse esta advertencia podrían sufrirse lesiones graves o incluso la muerte.</p>

	<p><b>⚠ADVERTENCIA</b></p>
	<p>No se pare directamente frente a una operación de tiro vertical. El cable podría caerse repentinamente del conducto.</p> <p>De no observarse esta advertencia podrían sufrirse lesiones graves o incluso la muerte.</p>

<p><b>⚠ADVERTENCIA</b></p>
<p>Coloque el tiracables de manera que quede cerca del conducto. La soga, el cable, o los conectores pueden romperse bajo tensión y causar que la soga azote violentamente.</p> <p>De no observarse esta advertencia podrían sufrirse lesiones graves o incluso la muerte.</p>


<p><b>⚠ADVERTENCIA</b></p>
<p>Una soga de tiro gastada o sin capacidad suficiente puede romperse y azotar violentamente. Utilice una soga compuesta de trenzado doble que tenga las características mínimas siguientes:</p> <p>Resistencia media de ruptura: 143 kN (32.000 lb) como mínimo</p> <p>De no observarse esta advertencia podrían sufrirse lesiones graves o incluso la muerte.</p>

<p><b>⚠ADVERTENCIA</b></p>
<ul style="list-style-type: none"> <li>• Verifique la condición de toda la longitud de la soga antes de cada uso. Una soga dañada o gastada se puede romper bajo tensión y azotar violentamente.</li> <li>• No mantenga la soga estacionaria cuando el cabrestante esté girando. El desgaste generado puede causar que se rompa la soga bajo tensión y azotar violentamente.</li> </ul> <p>De no observarse estas advertencias podrían sufrirse lesiones graves o incluso la muerte.</p>

## REGLAS DE SEGURIDAD ESPECÍFICAS Y SÍMBOLOS

### ⚠ADVERTENCIA

Acople la soga de tiro al cable con los tipos apropiados de conectores según se describe en este manual. Seleccione los conectores con una capacidad nominal máxima de 44,5 kN (10.000 lb). Un conector con capacidad menor que la nominal se puede romper bajo tensión.

De no observarse esta advertencia podrían sufrirse lesiones graves o incluso la muerte.

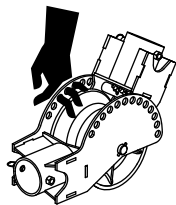
### ⚠ADVERTENCIA

La soga, el cable, o un dispositivo de conexión pueden romperse bajo tensión y causar que la soga azote violentamente.

- No permita que personal innecesario permanezca en el área durante la operación de tiro.
- No permita que personal alguno se pare en línea con la soga de tiro.

De no observarse estas advertencias podrían sufrirse lesiones graves o incluso la muerte.

### ⚠ADVERTENCIA



Punto de corte:

No introduzca los dedos en los orificios de la unidad de codo. Las piezas giratorias pueden cortar los dedos.

De no observarse esta advertencia podrían sufrirse lesiones graves o incluso la muerte.

### ⚠ADVERTENCIA

No permita que la soga se traslape en el cabrestante. Si comienza a formarse un traslape, afloje inmediatamente la fuerza en la soga y apague el tiracables.

De no observarse esta advertencia podrían sufrirse lesiones graves o incluso la muerte.

### ⚠ADVERTENCIA



Mantenga las manos alejadas del cabrestante. La soga en el cabrestante puede aplastar una mano.

De no observarse esta advertencia podrían sufrirse lesiones graves o incluso la muerte.

### ⚠ADVERTENCIA

Utilice la herramienta únicamente para el propósito para el que ha sido diseñada por el fabricante. No use el tiracables como grúa o gúinche.

- No se puede usar el tiracables para bajar una carga.
- Se puede caer la carga.

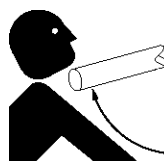
De no observarse esta advertencia podrían sufrirse lesiones graves o incluso la muerte.

### ⚠ADVERTENCIA



No enrolle la soga alrededor de las manos, brazos, cintura u otras partes del cuerpo. No se pare sobre bobinas gastadas o sogas enrolladas. Sujete la soga de manera que pueda liberarse rápidamente.

### ⚠ADVERTENCIA



Siempre bloquee los componentes del brazo en posición durante el ensamblaje o desensamblaje. Al agregar o retirar componentes se puede causar la rotación. Las piezas pueden golpear al personal circundante.

De no observarse esta advertencia podrían sufrirse lesiones graves o incluso la muerte.

## REGLAS DE SEGURIDAD ESPECÍFICAS Y SÍMBOLOS

### ⚠️ ADVERTENCIA

Revise el tiracables y los accesorios antes de utilizarlos. Reemplace los componentes desgastados o dañados con piezas de repuesto de Greenlee. Un artículo dañado o ensamblado erróneamente puede romperse y golpear al personal circundante con suficiente fuerza para causarles lesiones graves o la muerte.

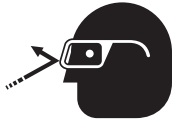
### ⚠️ ADVERTENCIA

Riesgo de enredo:

- No accione el tiracables si lleva puesta vestimenta holgada.
- Recójase el cabello largo.

De no observarse esta advertencia podrían sufrirse lesiones graves o incluso la muerte.

### ⚠️ ADVERTENCIA

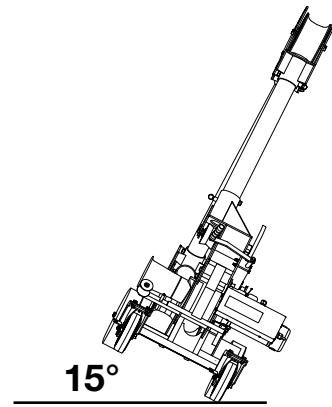


Al manejar esta herramienta utilice protectores para ojos. Las partículas de material que saltan y salen volando pueden ocasionarle lesiones oculares graves si usted no tiene puestos los protectores para los ojos.

### ⚠️ ADVERTENCIA

Al utilizar el carro con ruedas para transportar la unidad UT10:

- Mantenga al personal alejado del paso del transporte.
- Evalúe el terreno sobre el cual se desplazará el carro. Si tuviese alguna duda, obtenga ayuda adicional y mueva lentamente el carro.
- No transporte la unidad sobre terrenos con inclinaciones mayores de 15°.
- No transporte el carro con brazos tubulares de mayor longitud que los tubos de 0,9 m (3 pies) y 1,21 m (4 pies) suministrados.



*Aviso: Mantenga limpias y legibles todas las calcomanías y reemplácelas cuando sea necesario.*

## Instrucciones de puesta a tierra

### ⚠️ ADVERTENCIA



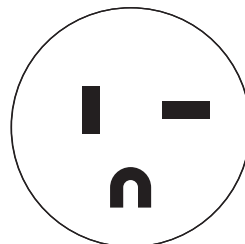
Peligro de electrocución:

Conecte esta herramienta a un receptáculo puesto a tierra en un circuito de falla a tierra protegido de 20 amperios.

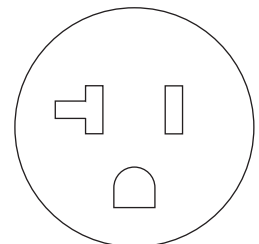
De no observarse esta advertencia podrían sufrirse lesiones graves o incluso la muerte.

El cordón eléctrico de esta herramienta incluye un conductor de puesta a tierra y un enchufe de puesta a tierra, tal como se muestra. No modifique el enchufe. Conecte el enchufe a un receptáculo que esté debidamente instalado y puesto a tierra de acuerdo con lo establecido por todos los códigos y reglamentos locales y nacionales. No utilice un adaptador.

### Enchufe y receptáculo puesto a tierra de 20 A / 115 V

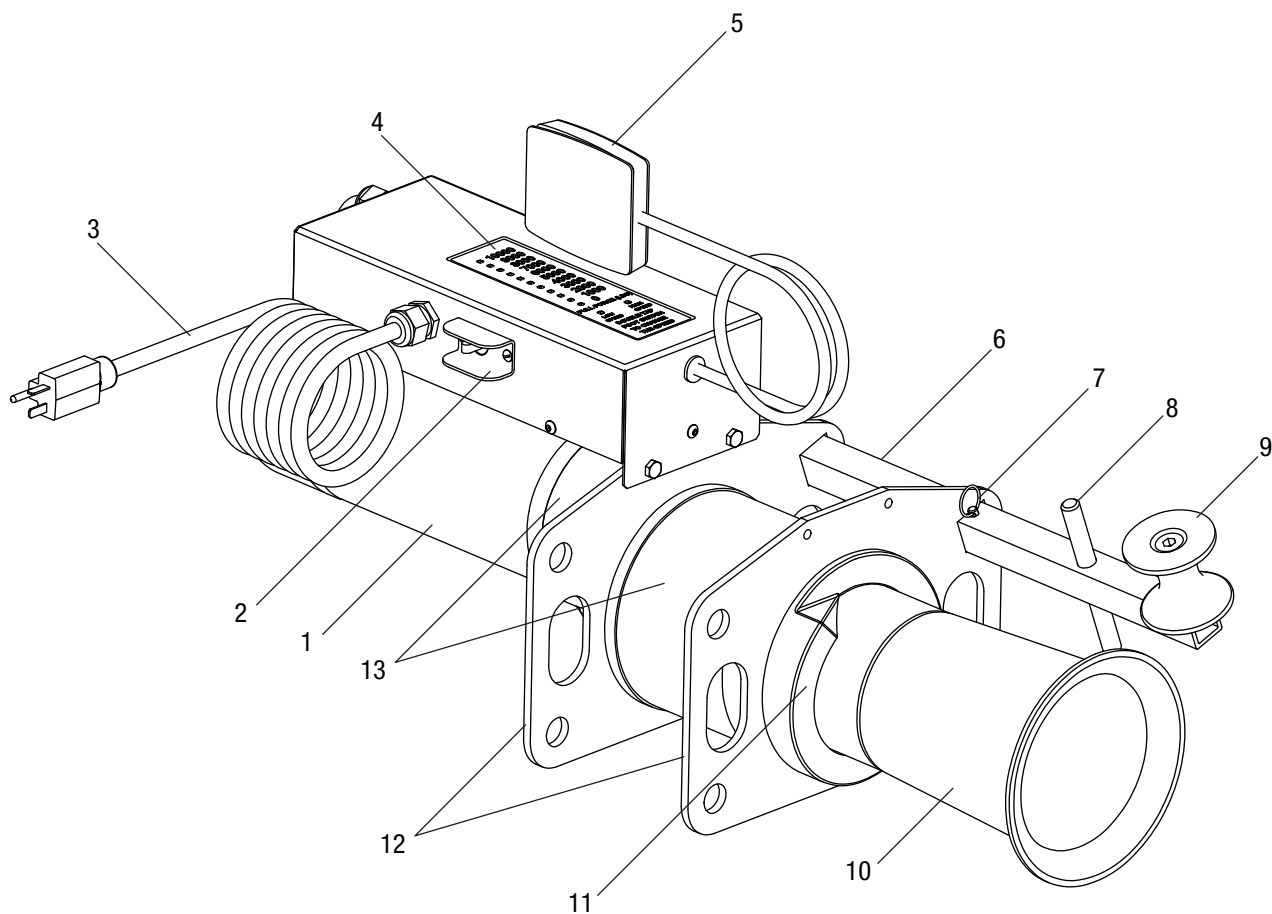


Enchufe



Receptáculo

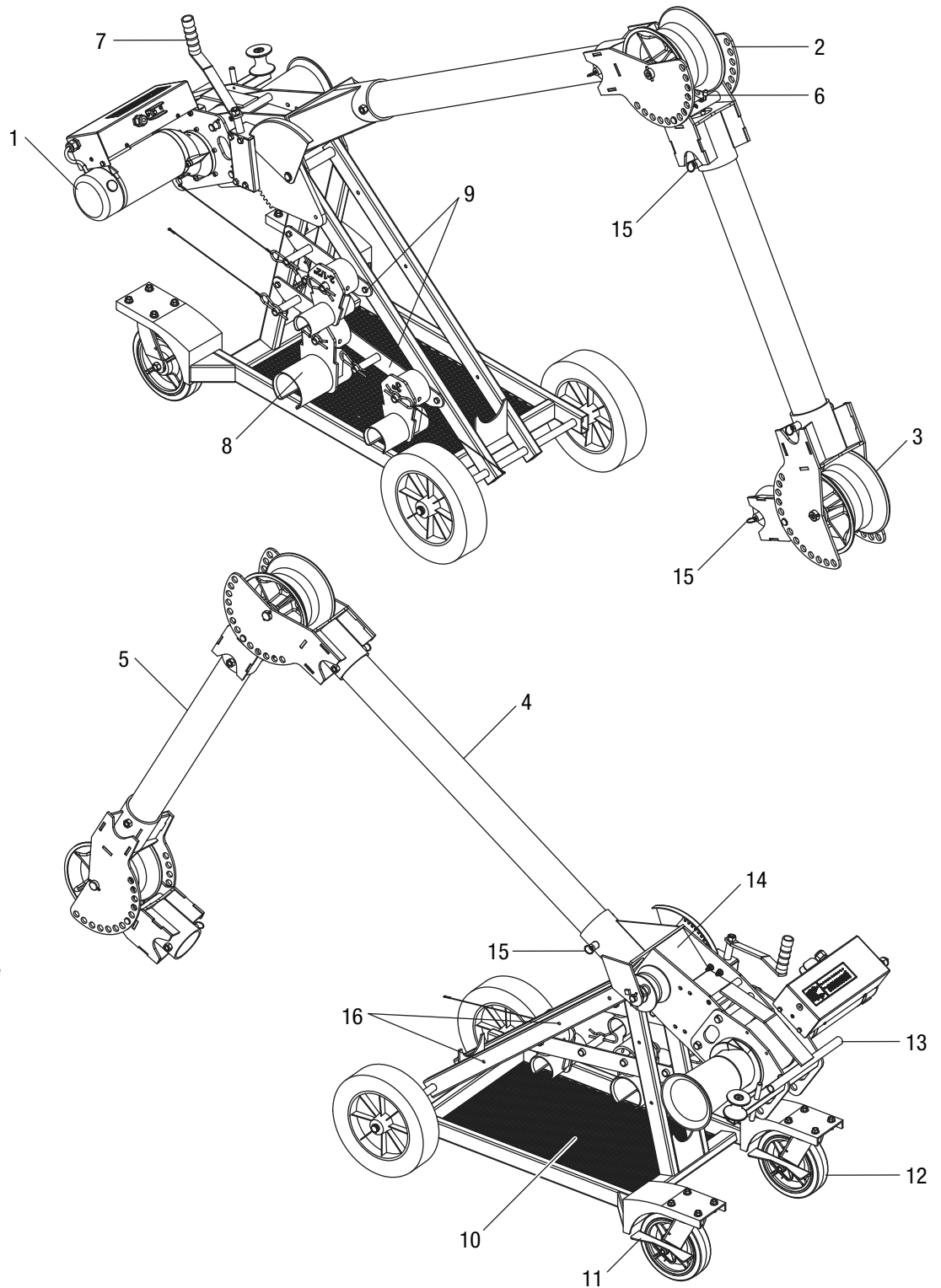
Esta herramienta debe estar puesta a tierra. Una puesta a tierra eléctrica proporcionará una trayectoria de menor resistencia para una corriente eléctrica si ocurre una falla de funcionamiento incorrecto o una avería. Esta trayectoria de menor resistencia tiene como propósito reducir el riesgo de electrocución para el operador.

**DESCRIPCIÓN FUNCIONAL****Identificación****Tiracables UT10**

- |  |                                  |
|--|----------------------------------|
| 1. Motor                                     | 7. Chaveta del enganche          |
| 2. Disyuntor/Interruptor                     | 8. Clavijas de amarre de la soga |
| 3. Cordón de alimentación eléctrica          | 9. Roldana a escuadra            |
| 4. Indicador de fuerza                       | 10. Cabrestante cónico de acero  |
| 5. Interruptor de pie                        | 11. Rampa de la soga             |
| 6. Escuadra de apoyo ajustable de la roldana | 12. Placas de montaje            |
|  | 13. Caja de engranajes           |

**Identificación (continuación)**
**Carro móvil y brazo**

1. Tiracables
2. Codo
3. Unidad de polea
4. Brazo trasero
5. Brazo delantero
6. Clavija retenedora
7. Manivela
8. Acoples de adapte del conducto
9. Almacenamiento colgante de adaptadores
10. Bandeja de almacenamiento
11. Freno
12. Ruedecilla giratoria
13. Empuñadura de transporte
14. Soporte del brazo
15. Clavija retenedora del anillo de tiro
16. Ubicación para anaqueles adicionales de almacenamiento de adaptadores



**Especificaciones**

Peso..... 38 kg (84 lb)

**Dimensiones**

Largo ..... 29 cm (11,5 pulg.)

Ancho .....66 cm (26 pulg.)

Altura .....17 cm (6,75 pulg.)

**Motor**

Voltaje.....120/230 V CA, 50/60 Hz, monofásico

Consumo de corriente a carga plena.....20 A (120 V), 12 A (230 V)

Nivel de sonido .....75 dB a 1 metro

Fuente de potencia..... 120 V AC, 60 Hz, 20 A, monofásico  
230 V AC, 50 Hz, 12 A, monofásico

**Velocidad****LOW/BAJA****HIGH/ALTA**

(sin carga)..... 2,74 m/min. (9 pies/min.) 4,88 m/min. (16 pies/min.)

8900 N (2000 lb)..... 2,44 m/min. (8 pies/min.) 4,27 m/min. (14 pies/min.)

17,8 kN (4000 lb)..... 2,29 m/min. (7,5 pies/min.) 3,66 m/min. (12 pies/min.)

26,7 kN (6000 lb)..... 2,13 m/min. (7 pies/min.) —

35,6 kN (8000 lb)..... 1,83 m/min. (6 pies/min.) —

**Fuerza de tracción**

0 kN a 28,9 kN (0 lb a 6500 lb).....Operación continua

28,9 kN a 35,6 kN (6500 lb a 8000 lb)..... 5 minutos encendido/  
5 minutos apagado

35,6 kN a 44,5 kN (8000 lb a 10.000 lb)..... Momentáneo

**Soga de tiro**

Soga necesaria .....7/8 pulg. de diámetro,  
doble trenzado compuesto de poliéster

Resistencia media de ruptura ..... 143 kN (32.000 lb) como mínimo

## Glosario de tracción de cables

### sistema de anclaje

cualquier artículo o grupo de artículos que ayuda a mantener en posición un componente de tracción de cables durante el tiro de cables

### cabrestante

el cilindro hueco del tiracables que actúa sobre la soga de tiro para generar la fuerza de tracción

### coeficiente de fricción

la relación que compara dos magnitudes de fuerza: (1) la fuerza necesaria para mover un objeto sobre una superficie y (2) la fuerza que sujeta el objeto contra la superficie

Esta relación se utiliza para describir la manera en que el cabrestante y la soga funcionan en conjunto.

### conector

cualquier artículo, como una abrazadera de cable, horquilla, placa giratoria o abrazadera de tracción, que conecte la soga al cable

### línea directa de tiro

las áreas adyacentes a la soga de tiro y a lo largo de su trayectoria; esto incluye las áreas al frente, atrás y debajo de la soga

### capacidad nominal máxima

la fuerza de tracción que cualquier componente puede resistir de manera segura, medida en Kilo-Newtons (métrico) o libras; la capacidad nominal máxima de cada componente debe satisfacer o exceder la máxima fuerza de tracción del tiracables

### Newton (N)

una unidad de fuerza en el sistema métrico, equivalente a 0,225 libras-fuerza

### roldana con adaptador para tubería

se acopla a un conducto para tracción o alimentación de cables

### abrazadera de tracción

conecta la soga al cable; consiste en una canastilla de malla de alambre que se desliza sobre el cable y sujeta el aislamiento

### fuerza de tracción

la fuerza de tensión desarrollada por el tiracables, medida en Newtons (métrico) o libras; un tiracables usualmente se define por la máxima fuerza de tracción que puede desarrollar

### fuerza resultante

cualquier fuerza que se produce cuando dos o más fuerzas actúan sobre un objeto; se aplica a las roldanas de un sistema de tracción de cables

### rampa de la soga

un dispositivo que funciona con un cabrestante cónico; guía la soga sobre el cabrestante para prevenir el traslapo de la soga

### roldana

una polea que cambia la dirección de la soga y del cable

### energía almacenada

la energía que se acumula en la soga de tiro al estirarse, expresada en Newton-metros (métrico) o libras-pie

### estructura de soporte

cualquier objeto estacionario al que está anclado un componente del sistema de tracción de cables, como el piso de concreto (para el montaje al piso) o una viga I (para una roldana)

### retroalimentación táctil

es la sensación al tacto cuando la soga sale del cabrestante; la sensación al tacto que produce la soga le brinda al operador información sobre el avance del tiro del cable

### cola

la porción de la soga sobre la que el operador aplica fuerza; ésta es la soga que sale del cabrestante, y no se encuentra bajo la tensión del tiracables

### tiro de la cola de la soga

la función principal del operador; éste es el proceso de aplicar fuerza a la cola de la soga de tiro — el inciso Principios de tracción de cables incluye la explicación completa de esta función

### abrazadera de cable

conecta la soga al cable; algunas abrazaderas utilizan un tornillo prisionero para fijarse a los conductores del cable

## Principios de tracción de cables

La tracción de cables es un proceso muy complejo. Esta sección del manual describe y explica cuatro temas principales para la tracción de cables:

- cada uno de los componentes de un sistema de tracción de cables
- cómo funcionan juntos estos componentes
- las fuerzas que se generan
- los procedimientos que debe seguir el operador del tiracables

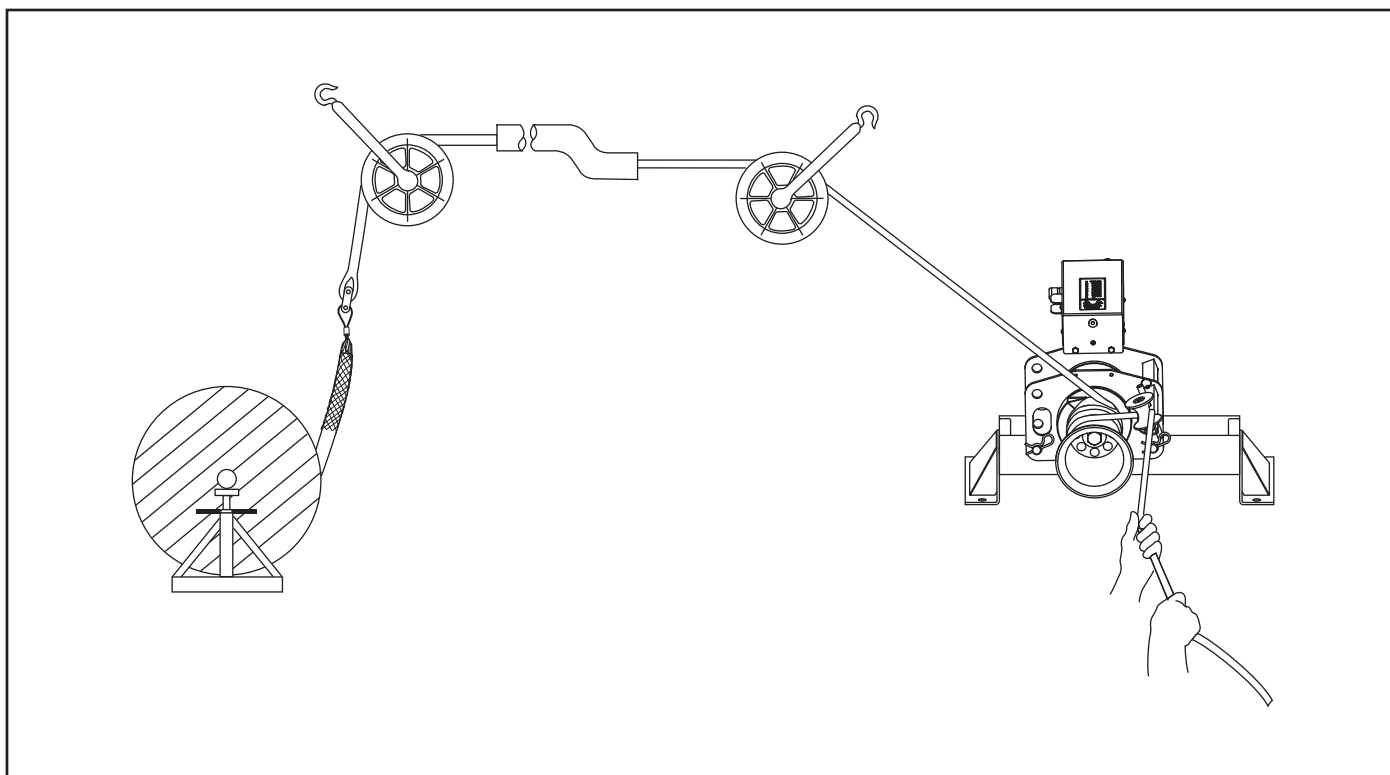
Al leer esta sección del manual, observe los componentes sombreados que se muestran en las ilustraciones. El sombreado indica los componentes que están asociados con el texto.

Greenlee recomienda enfáticamente que cada miembro de la cuadrilla de tracción de cables repase esta sección del manual antes de cada operación de tiro de cables.

## Sistemas de tracción de cables

La tracción de cables requiere un sistema de componentes. Como mínimo, un sistema de tracción de cables incluirá un tiracables, una soga tiracables, y conectores para empalmar la soga a los cables. La mayoría de los sistemas también incluirán, entre otros, un sistema de anclaje del tiracables, roldanas de tracción y sistemas de anclaje de roldanas.

El tiracables tiene una capacidad máxima de *fuerza de tracción*, la cual equivale a la fuerza de tensión que es capaz de desarrollar. Cada uno de los componentes del sistema de tracción tiene una *capacidad nominal máxima*, la cual es la máxima tensión que puede resistir. La capacidad nominal máxima de cada componente debe satisfacer o exceder la fuerza máxima de tracción del tiracables.



**Sistema típico de tracción de cables**



## Principios de tracción de cables (continuación)

### Teoría de tracción

Esta sección presenta las ideas principales involucradas con la tracción de cables.

### Resistencia a la tracción

El tiracables debe vencer dos tipos de resistencia: gravedad y fricción.

La gravedad ejerce su acción constante en las porciones verticales del tramo. Al reducir la fuerza de tracción, la gravedad intenta tirar del cable hacia abajo. La fricción se desarrolla donde el cable hace contacto con las roldanas, con el conducto y con la bandeja. La fricción ofrece resistencia a cualquier movimiento, de avance o retroceso, y tiende a mantener los cables en posición.

Para tirar de los cables, el sistema de tracción de cables debe desarrollar más fuerza que la combinación de gravedad y fricción.

### Generación de la fuerza de tracción

Para generar la fuerza de tracción, el cabrestante funciona como un *multiplicador de fuerza*. El operador ejerce una pequeña cantidad de fuerza en la soga. El tiracables multiplica esta fuerza y genera la fuerza de tracción.

Esta fuerza de tracción se aplica a la soga, a los conectores y al cable a fin de lograr la operación de tiro. La dirección de la fuerza se cambia, cuando sea necesario, con las roldanas de tracción.

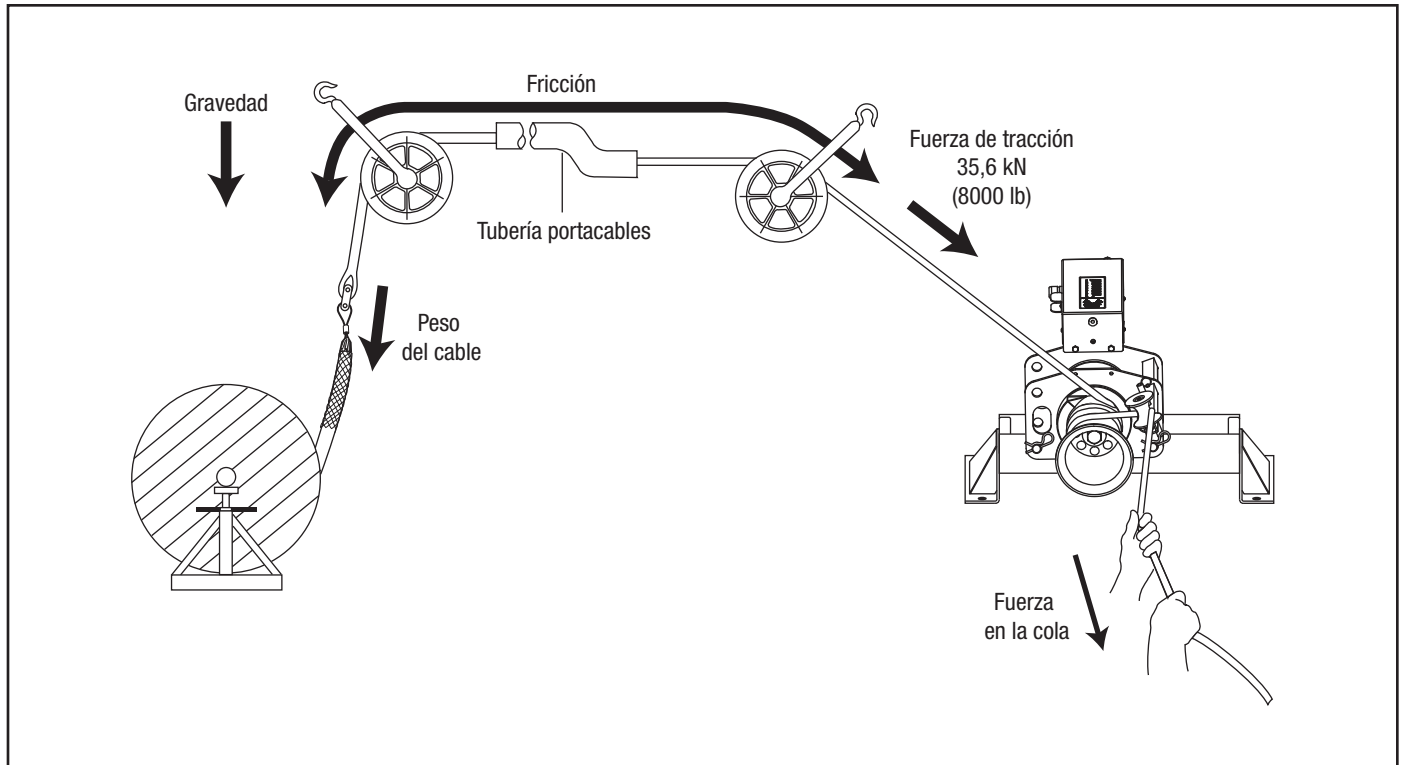


Ilustración de la teoría de tracción de cables

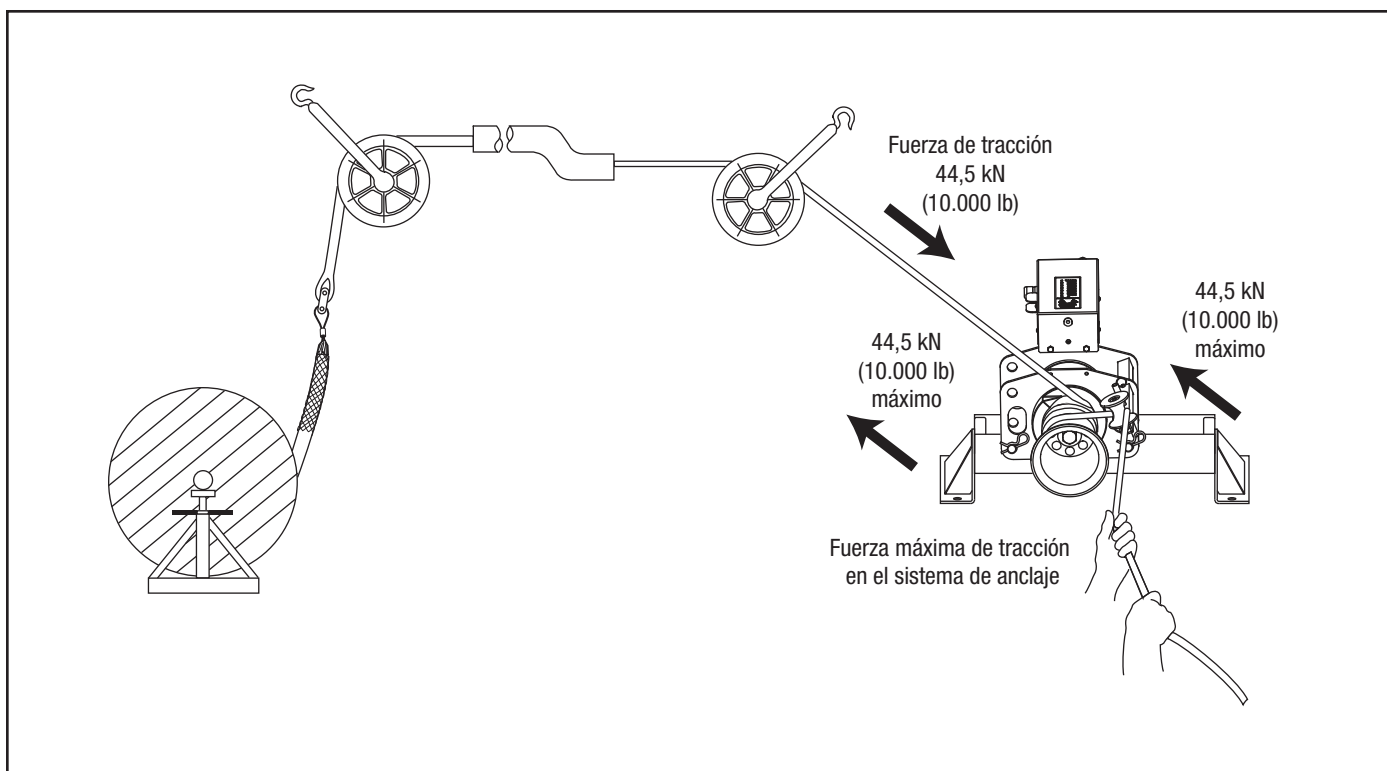
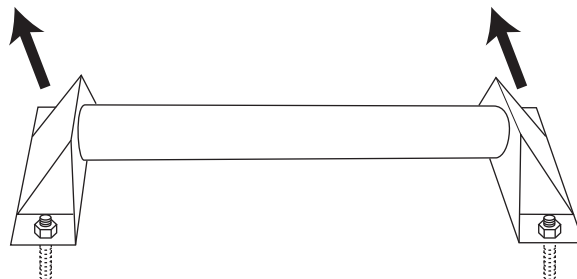
## Principios de tracción de cables (continuación)

### Fuerzas de tracción de cables

Esta sección brinda explicaciones e ilustraciones detalladas de las fuerzas que se generan durante la tracción de cables. Estas explicaciones tienen como base los conceptos presentados en la sección anterior, Teoría de tracción.

### En el sistema de anclaje del tiracables

El tiracables ejercerá su máxima fuerza de tracción en el sistema de anclaje del tiracables. Es sumamente importante que el sistema de anclaje pueda resistir la magnitud de esta fuerza. Consulte el manual de instrucciones suministrados con su sistema de anclaje para obtener información sobre la configuración o instalación apropiadas.



**Fuerza de tracción en el sistema de anclaje del tiracables**

## Principios de tracción de cables (continuación)

### Fuerzas de tracción de cables (continuación)

#### En el cabrestante

El cabrestante actúa como un *multiplicador de fuerza*. El operador ejerce una tensión mínima, o fuerza en la cola, sobre la soga; el cabrestante multiplica esta fuerza para tirar del cable. La fuerza resultante depende del número de vueltas de la soga en el cabrestante, según se muestra en la fórmula a continuación.

Fuerza de tracción =  
Fuerza en la cola de la soga  $\times e^{0,0175\mu\theta}$

Donde:

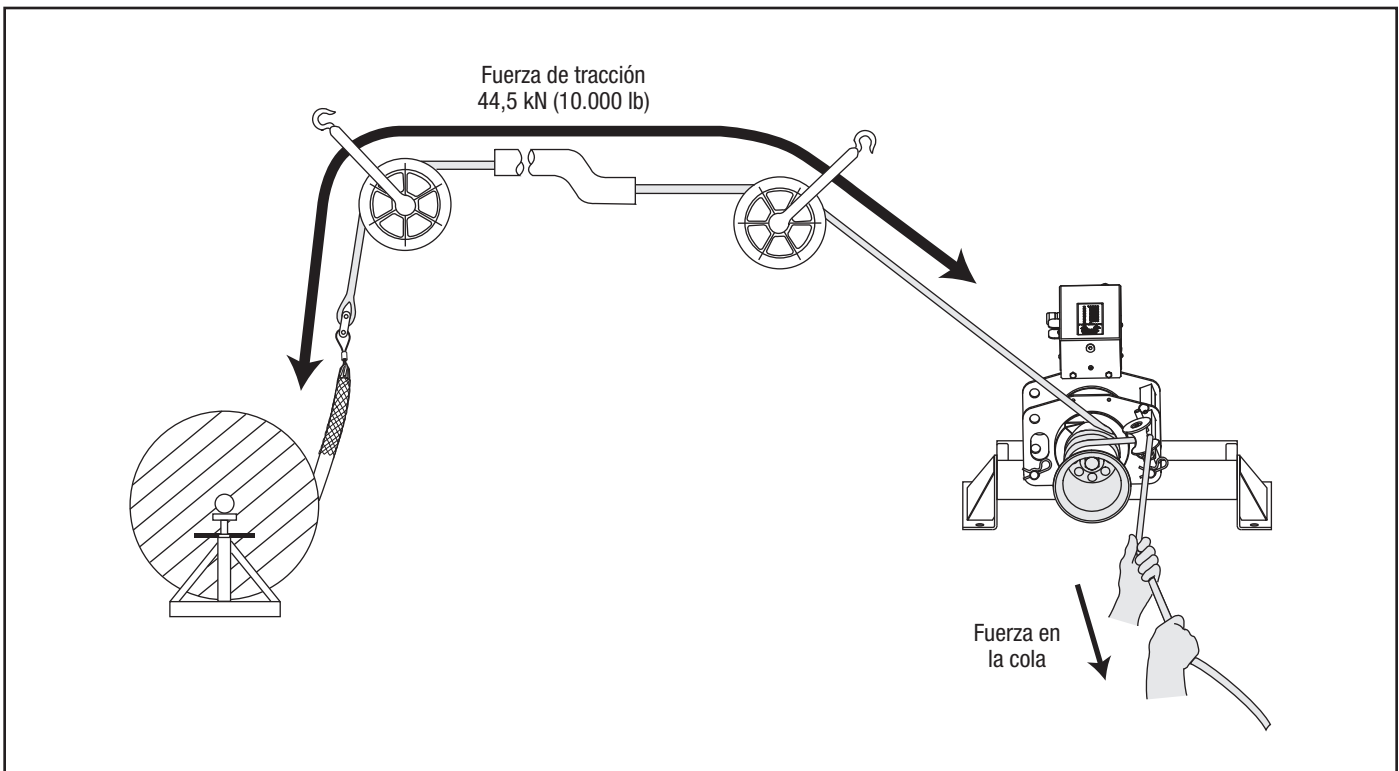
- e = el logaritmo natural, o 2,7183
- $\mu$  = el coeficiente de fricción entre la soga y el cabrestante\*
- $\theta$  = el número de grados de vueltas de soga alrededor del cabrestante

\* El valor promedio para el coeficiente de fricción cuando se utiliza soga compuesta de doble trenzado en un cabrestante limpio y seco es de 0,125.

La siguiente tabla está basada en la fórmula anterior. La entrada, o fuerza en la cola, permanece constante en 44,5 N (10 lb). Al aumentar el número de vueltas aumenta la fuerza de tracción.

Fuerza del operador en la cola de la soga	Número de vueltas de soga	Fuerza de tracción aproximada
44,5 N (10 lb)	1	93,4 N (21 lb)
	2	213,5 N (48 lb)
	3	474,9 N (106 lb)
	4	1043,8 N (233 lb)
	5	2293,7 N (512 lb)
	6	5048,9 N (1127 lb)
	7	11,1 kN (2478 lb)

Esta tabla muestra cómo el cabrestante actúa como una fuerza multiplicadora. Debido a que el coeficiente de fricción depende de la condición en que se encuentre la soga y el cabrestante, esta fórmula no puede determinar la magnitud exacta de la fuerza de tracción.



**El cabrestante como fuerza multiplicadora**

## Principios de tracción de cables (continuación)

### Fuerzas de tracción de cables (continuación)

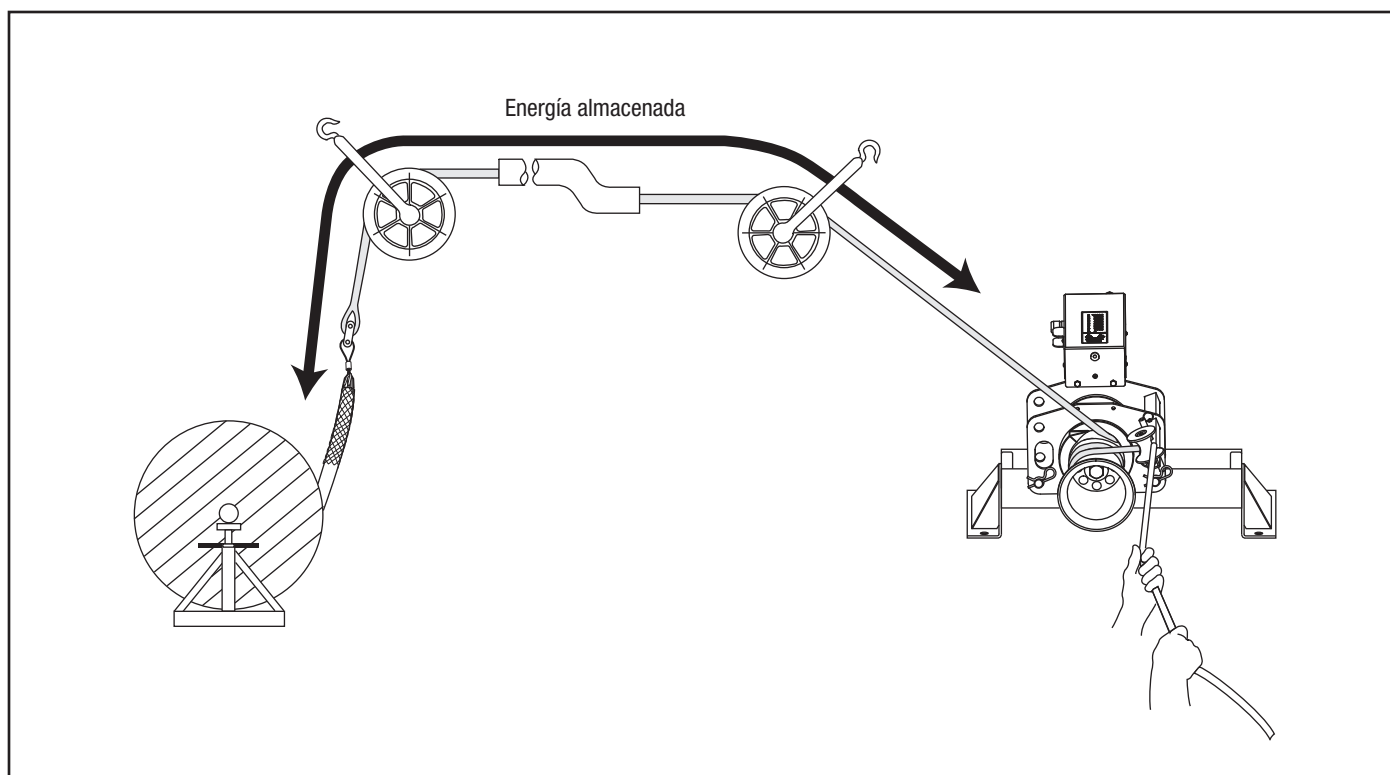
#### En la soga de tiro

El producto de una fuerza (f) que se desplaza una distancia (d) es energía (f x d), y se puede medir en Newton-metros o lb-pie. La energía se almacena en una soga cuando la soga se estira. Esto es similar a la manera en que la energía se almacena en una banda de goma cuando se la estira. El fallo de la soga o de cualquier otro componente del sistema de tracción puede causar la liberación repentina y sin control de la energía almacenada en la soga.

Por ejemplo, una soga de nilón de 100 metros con una resistencia promedio de ruptura de 50.000 Newton podría estirarse 40 metros y almacenar 1.000.000 joules de energía. Ésta es suficiente energía para lanzar al aire un objeto de 900 kilogramos, como un automóvil pequeño, una distancia de 113 metros.

Una soga similar, compuesta de doble trenzado podría almacenar aproximadamente 300.000 joules de energía. Esta energía podría lanzar el mismo objeto únicamente 34 metros en el aire. La soga compuesta de doble trenzado almacena mucho menos energía y tiene mucho menos potencial de causar lesiones si se rompiese.

La soga compuesta de doble trenzado es el único tipo de soga recomendado para el uso con el tiracables UT10. Seleccione una soga compuesta de doble trenzado con una resistencia nominal promedio de ruptura mínima de 143 kN (32.000 lb).



**Energía almacenada**

## Principios de tracción de cables (continuación)

### Fuerzas de tracción de cables (continuación)

#### En los conectores

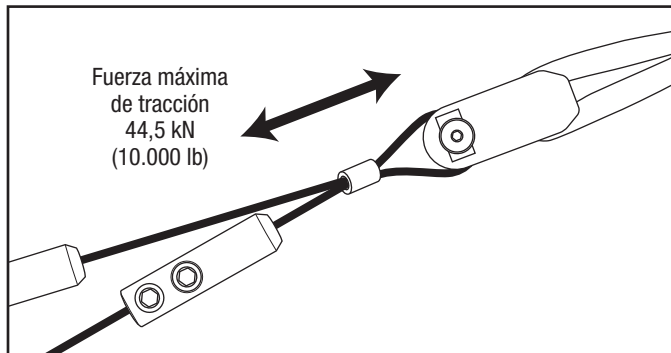
Los conectores estarán sujetos a la máxima fuerza de tracción del tiracables.

Hay disponibles varios tipos de conectores de sogas, entre ellos: horquillas, placas giratorias, y conectores de sogas a horquilla. Siga las instrucciones suministradas con cada unidad para lograr una buena conexión.

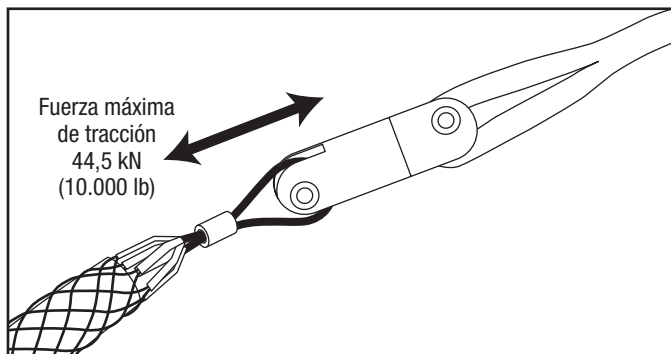
Hay disponibles dos tipos de conectores de cable: abrazaderas de cable y abrazaderas de tracción. La abrazadera de cable utiliza un tornillo prisionero para engancharse a los conductores del cable. La abrazadera de tracción consiste en una canastilla de malla de alambre que se desliza sobre el cable y se engancha en el aislamiento.

Al seleccionar una abrazadera de tracción, es sumamente importante seleccionar una abrazadera del (1) tipo, (2) tamaño y (3) capacidad nominal máxima apropiados.

1. Seleccione el tipo correcto de abrazadera con base en las descripciones de cada tipo en el catálogo de Greenlee.
2. Mida el perímetro del haz de cables. (Para hacerlo con exactitud, sujete una correa de amarre alrededor del haz de cables. Corte y deseche la longitud sobrante. Después, corte la correa de amarre y mida su longitud). Use la tabla suministrada para determinar el tamaño correcto.
3. Consulte las capacidades nominales máximas en el catálogo de Greenlee.



**Un modelo típico de abrazadera –  
horquilla y abrazadera de cable**



**Un modelo típico de abrazadera –  
placa giratoria y abrazadera de tracción**

**Tabla de tamaños de abrazaderas de tracción**

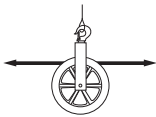

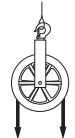
Gama de perímetros		Diámetro necesario de abrazadera	
pulgadas	mm	pulgadas	mm
1,57–1,95	39,9–49,5	0,50–0,61	12,7–15,5
1,95–2,36	49,5–59,9	0,62–0,74	15,8–18,8
2,36–3,14	59,9–79,8	0,75–0,99	19,1–25,1
3,14–3,93	79,8–99,8	1,00–1,24	25,4–31,5
3,93–4,71	99,8–119,6	1,25–1,49	31,8–37,8
4,71–5,50	119,6–139,7	1,50–1,74	38,1–44,2
5,50–6,28	139,7–159,5	1,75–1,99	44,5–50,5
6,28–7,85	159,5–199,4	2,00–2,49	50,8–63,2
7,85–9,42	199,4–239,3	2,50–2,99	63,5–75,9
9,42–11,00	239,3–279,4	3,00–3,49	76,2–88,6
11,00–12,57	279,4–319,3	3,50–3,99	88,9–101,3
12,57–14,14	319,3–359,2	4,00–4,49	101,6–114,0
14,14–15,71	359,2–399,0	4,50–4,99	114,3–126,7

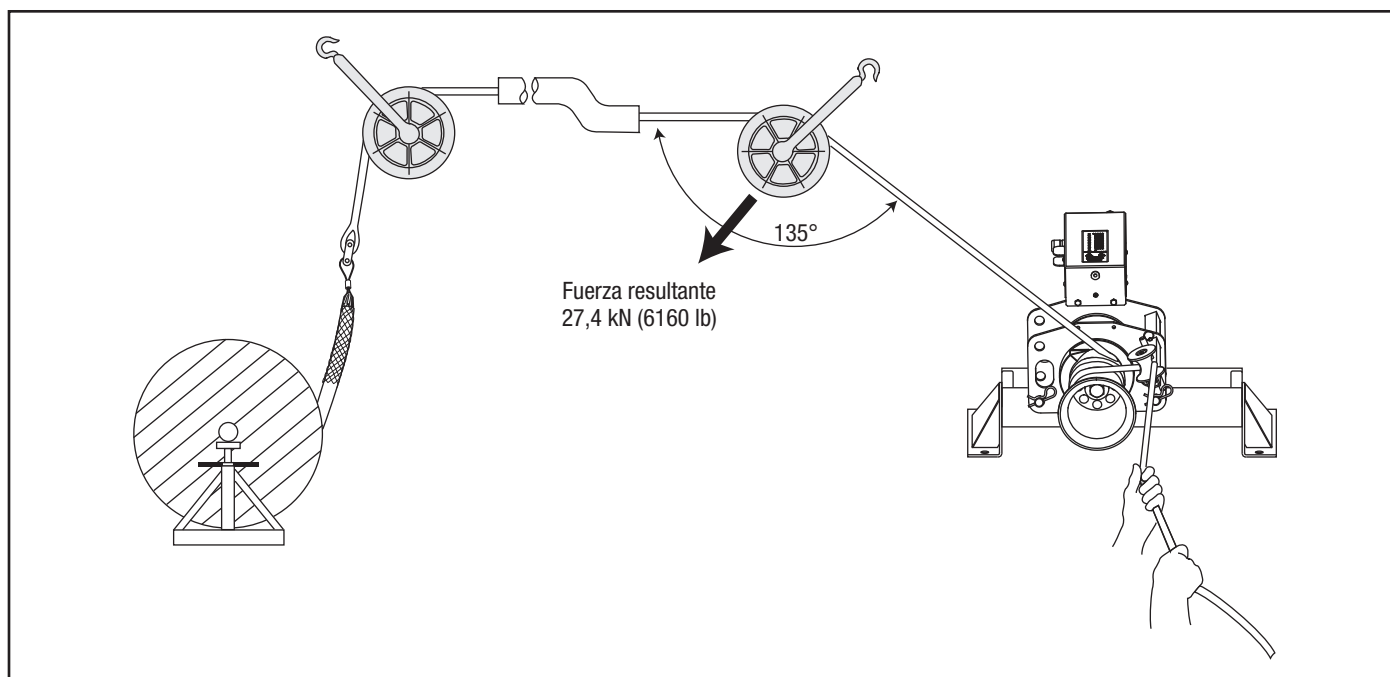
**Principios de tracción de cables (continuación)**
**Fuerzas de tracción de cables (continuación)**
**En las roldanas**

Las roldanas se utilizan para cambiar la dirección de tiro. Un cambio en la dirección crea una nueva *fuerza resultante* que puede ser mayor que la fuerza máxima de tracción del tiracables. Esta nueva *fuerza resultante* se transmite a las roldanas, al sistema de anclaje de las roldanas y a las estructuras de soporte que se indican en la ilustración.

La magnitud de la fuerza resultante depende del ángulo del cambio de dirección. A continuación se suministra una breve tabla; para obtener detalles sobre el cálculo de la fuerza resultante para cualquier ángulo, consulte la especificación IM 1363 (99929988).

**Tabla de fuerzas resultantes  
(35,6 kN u 8000 lb de fuerza de tracción)**

Ilustración	Ángulo de cambio de dirección	Fuerza resultante en kN (lb)
	180°	0 (0)
	150°	18,5 (4160)
	135°	27,4 (6160)
	120°	35,6 (8000)
	90°	50,2 (11.300)
	60°	61,6 (13.800)
	45°	65,8 (14.800)
	30°	68,7 (15.400)
	0°	71,2 (16.000)


**Fuerza resultante típica en la roldana**

## Principios de tracción de cables (continuación)

### Tiro de la cola de la sogá

Es necesario tirar de la sogá para sacarla del cabrestante a medida que el tiro del cable avanza. La sogá que sale del cabrestante se conoce como “cola”. El proceso de tirar de la sogá para sacarla del cabrestante se conoce como *tiro de la cola de la sogá*.

La resistencia del cable varía a través de la duración del tiro del cable. Los cambios en la resistencia se deben a las características de la sogá, a cambios en la dirección del conducto y a cambios en la cantidad de fricción.

La “sensación” de la sogá brinda esta información acerca del tiro del cable. Esto se conoce como *retroalimentación táctil*. Ajuste la fuerza de tracción de la cola de la sogá según sea necesario para compensar estos cambios.

### Control del tiro

Al disminuir la fuerza del tiro de la cola de la sogá se reducirá la fuerza de tracción, hasta que la sogá se deslice sobre el cabrestante y se detenga el tiro. Esto permite ejercer un alto nivel de control sobre el avance del tiro del cable.

No permita que la sogá se deslice sobre el cabrestante por mucho tiempo. Si fuese necesario detener completamente el tiro del cable, apague el tiracables y mantenga suficiente fuerza de tracción en la cola de la sogá para mantener el cable en posición. Ate la sogá para fijarla en posición.

### Fuerza aplicada a la cola de la sogá

Mientras la sogá y el cable se encuentran bajo tensión, es importante mantener la cantidad apropiada de fuerza de tracción en la cola de la sogá.

*Muy poca* fuerza de tracción en la cola de la sogá permitirá que ésta se deslice en el cabrestante. Esto generará calor excesivo y acelerará el desgaste de la sogá, y aumentará la probabilidad de ruptura de la sogá.

La cantidad apropiada de tiro en la cola de la sogá evitará que la sogá se deslice sobre el cabrestante y producirá suficiente fuerza de tracción para tirar de la sogá y del cable.

*El exceso* de fuerza de tracción en la cola de la sogá es cualquier cantidad adicional a la necesaria para impedir que la sogá se deslice sobre el cabrestante. El exceso de fuerza de tracción en la cola de la sogá no aumentará la fuerza de tracción ni la velocidad de tiro.

### Número de vueltas de sogá alrededor del cabrestante

Un operador con experiencia deberá seleccionar el número de vueltas de la sogá alrededor del cabrestante.

El número apropiado de vueltas le permitirá al operador controlar el avance del tiro con una cantidad confortable de esfuerzo.

El uso de *muy pocas vueltas* requiere una gran fuerza de tracción en la cola de la sogá para lograr la tracción suficiente. Además, el uso de muy pocas vueltas probablemente causará que la sogá se deslice en el cabrestante. Esto generará acumulación de calor y acelerará el desgaste de la sogá.

El uso de *demasiadas vueltas* causa que la sogá se adhiera más firmemente al cabrestante. Esto acelera el desgaste de la sogá, desperdicia potencia y aumenta la probabilidad de traslape de sogá. Además, el uso de demasiadas vueltas también reduce la retroalimentación táctil, así que el operador recibe menos información sobre el tiro del cable. Al usar demasiadas vueltas de sogá no se aflojará rápidamente la fuerza del tiro de la cola de la sogá.

Si el tiro de la cola de la sogá resulta muy difícil, añada otra vuelta de sogá. Apague el tiracables y libere toda la tensión en la sogá. Añada una vuelta y reinicie la tracción. Sin embargo, tenga presente que algunos tiros de cables necesitan tensión constante para mantener los cables en posición. En estos casos, no intente liberar toda la tensión y añada una vuelta de sogá. Será necesario anticipar el número de vueltas antes de comenzar a tirar.

### Cómo evitar el traslape de la sogá

No permita que la sogá se traslape en el cabrestante durante el tiro de cables.

Un traslape de sogá hará imposible poder continuar o liberar la tensión del tiro.

Si la sogá se traslapa, perderá el control del tiro; la sogá avanzará sin necesidad del tiro de la cola de la sogá y se enrollará sin salir del cabrestante. El cabrestante no le permitirá invertir la dirección de la sogá, así que no podrá salir de un traslape.

Instale correctamente el tiracables. La rampa de la sogá y el cabrestante cónico están diseñados para evitar el traslape de la sogá. Consulte las instrucciones que aparecen en la sección Operación, en este manual.

Cada vuelta de la sogá deberá permanecer en contacto directo con el cabrestante. Durante el tiro, tenga sumo cuidado para prevenir que la sogá entrante se monte sobre la existente y se traslape en la siguiente vuelta. Si comienza a desarrollarse un traslape, afloje la fuerza de tracción en la cola de la sogá de manera que la sogá pueda retraerse hacia el conducto o la bandeja. Cuando la sogá recupere su trayectoria normal, aplique fuerza de tracción en la cola de la sogá y continúe con el tiro.

No existe una solución sugerida para el traslape de la sogá. **Sencillamente... ¡No deje que la sogá se traslape!**

## Principios de tracción de cables (continuación)

### Resumen de los principios de tracción de cables

- Un sistema de tracción de cables consta de varios componentes que funcionan conjuntamente para lograr un tiro de cables.
- El tiracables se clasifica según su fuerza máxima de tracción; todos los demás componentes se clasifican por su capacidad nominal máxima. La capacidad nominal máxima de cada componente debe satisfacer o exceder la fuerza máxima de tracción del tiracables.
- El tiracables debe vencer dos tipos de resistencia: gravedad y fricción. El cabrestante del tiracables, la soga de tiro y el operador al tirar de la cola de la soga trabajan al unísono para generar la fuerza de tracción.
- El tiracables ejerce fuerza en cada uno de los componentes del sistema de tracción de cables, incluso en los sistemas de anclaje y en las estructuras de soporte.
- La energía se almacena en una soga cuando la carga causa que la soga se estire. El fallo de la soga o de cualquier otro componente puede causar la liberación repentina de energía. Reemplace cualquier soga que esté gastada o dañada.
- Seleccione cuidadosamente el número de vueltas de soga alrededor del cabrestante antes de iniciar el tiro.
- Controle la tracción mediante el tiro de la cola de la soga. Familiarícese con la interacción de la soga y el cabrestante.
- ¡No deje que se formen traslapos en la soga!

## Planeamiento del tiro del cable

- Efectúe el tiro en una dirección que requiera la mínima fuerza de tracción.
- Planifique varios tiros más cortos en vez de menos tiros más largos.
- Coloque el tiracables lo más cerca posible del extremo del conducto para minimizar la cantidad de soga expuesta y bajo tensión.
- Coloque cada uno de los componentes de manera que las fuerzas de tracción se utilicen eficazmente.
- Seleccione un sistema de anclaje: roldanas de adaptador, las cuales son las preferidas, o el montaje al piso.
- Verifique que cada componente tenga la capacidad nominal de carga apropiada.
- Inspeccione los apoyos estructurales. Verifique que tenga suficiente resistencia para soportar las fuerzas máximas que pudiesen generarse.



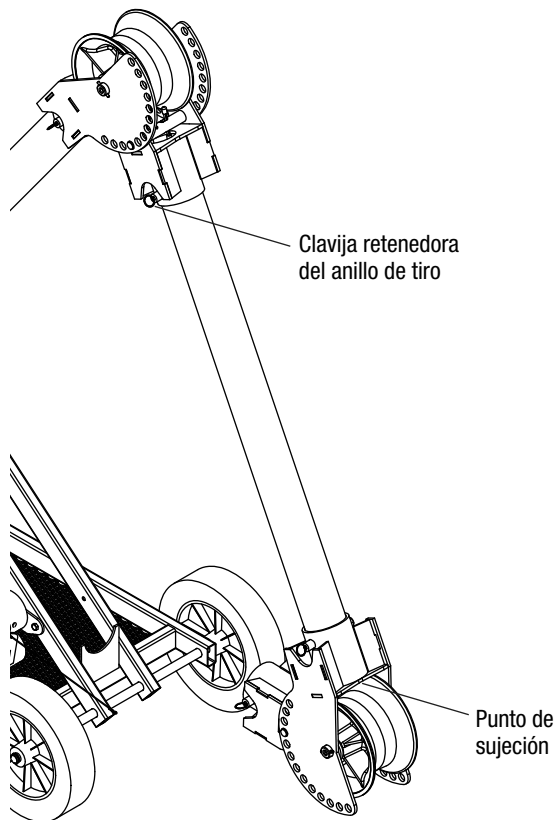
## ENSAMBLAJE

### Ensamblaje/Desensamblaje del brazo

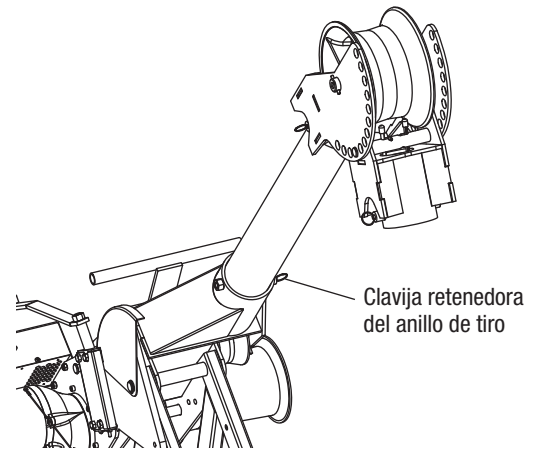
En circunstancias normales, no hay necesidad de desensamblar el conjunto del brazo. Sin embargo, éste puede ser desensamblado para transportarlo en una camioneta, para instalar remotamente el cabezal de tracción en una base de piso para modificar las longitudes del brazo, etc.

Para desensamblar la unidad, siga este procedimiento:

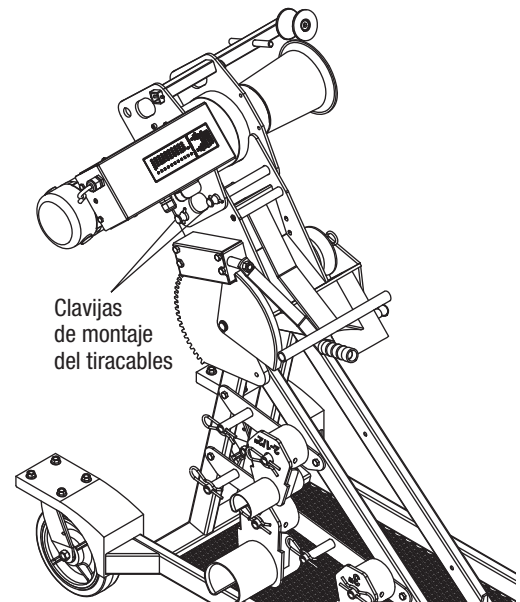
1. Bloquee los frenos de las ruedecillas giratorias.
2. Pivotee el codo hasta que el brazo delantero haya salido del carro.
3. Sujete la polea por el orificio en el extremo del brazo tubular, y levántela para aliviar la carga previa en clavijas retenedoras.



4. Tire hacia afuera del anillo de retención que sujeta el brazo tubular, y gire la polea levemente de manera que el orificio en el brazo tubular y la clavija retenedora queden desalineados.



5. Suelte el anillo de retención, y extraiga la polea y el brazo delantero del codo.
6. Repita este proceso para retirar el brazo trasero y el codo. Eleve o baje los brazos según sea necesario previamente para lograr una posición confortable.
7. Gire la manivela hacia la derecha hasta que el cabezal de tracción quede en su posición más elevada.
8. Retire las abrazaderas y extraiga las clavijas que sujetan el cabezal de tracción.



9. Levante el cabezal de tracción de la base del brazo utilizando ayuda en equipo según sea necesario para levantar 45 kg (100 lb).

Además de desprender el otro extremo de los dos brazos tubulares, esto es todo lo que la unidad puede desensamblarse. Ensamble la unidad en orden inverso, asegurándose de que todas las clavijas retenedoras queden completamente asentadas antes de soltarlas de la mano.

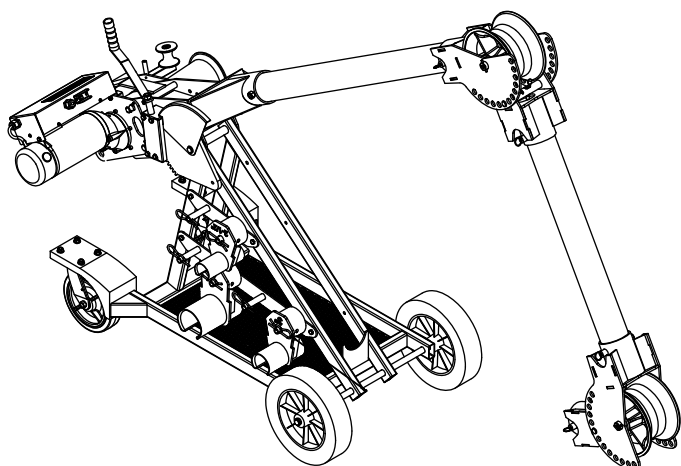
## Instalación del brazo

### Tracción ascendente partiendo de una posición de tipi

1. Accione los frenos.
2. Eleve el brazo delantero según lo descrito bajo Operación del brazo hasta que quede lo más próximo al ángulo deseado para la configuración de tracción,

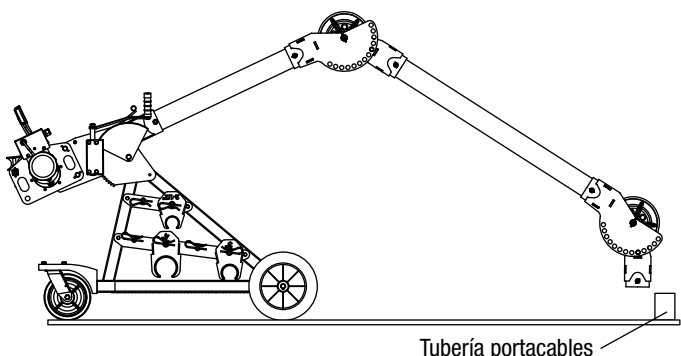
**o bien**

- a. Bloquee las clavijas retenedoras del codo en la posición completamente hacia adentro.
- b. Baje el brazo (gire la manivela hacia la izquierda) hasta que la polea haga contacto con el piso.
- c. Suelte los frenos y continúe bajando el brazo mientras avanza el carro hacia atrás hasta que el codo se encuentre en el ángulo deseado y bloquéelo en posición.



**Coloque el codo según el ángulo deseado**

3. Eleve o baje el brazo hasta que la polea esté justo arriba del conjunto en el cual se realizará la tracción.



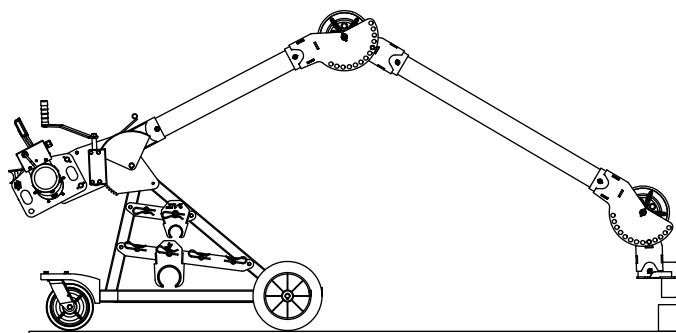
**Coloque la polea más alta que el conducto**

### Para usar acoples deslizantes:

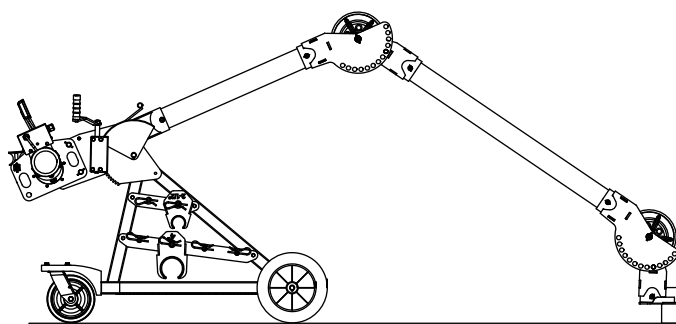
- a. Introduzca el acople deslizante adaptador de conducto en la polea.
- b. Pivotee la polea hasta que el acople esté alineado con el conducto y bloquéelo en posición.
- c. Eleve el brazo hasta que la parte inferior del acople se separe del conducto.
- d. Suelte los frenos si aún no lo ha hecho.
- e. Mueva el carro hacia adelante hasta que el acople se encuentre sobre el conducto y bájelo sobre el conducto.

### Para usar acoples de rosca:

- a. Enrosque el acople de adapte de rosca apropiado completamente en el conducto.
- b. Pivotee la polea hasta que esté alineada con el acople y bloquéela en posición.
- c. Eleve el brazo hasta que la parte inferior del acople se separe del conducto.
- d. Suelte los frenos si aún no lo ha hecho.
- e. Avance el carro hacia adelante hasta que la polea se encuentre sobre el acople, hale el anillo de retención y baje la polea sobre el acoplador.



**Introduzca el adaptador del conducto y elévelo sobre el conducto**

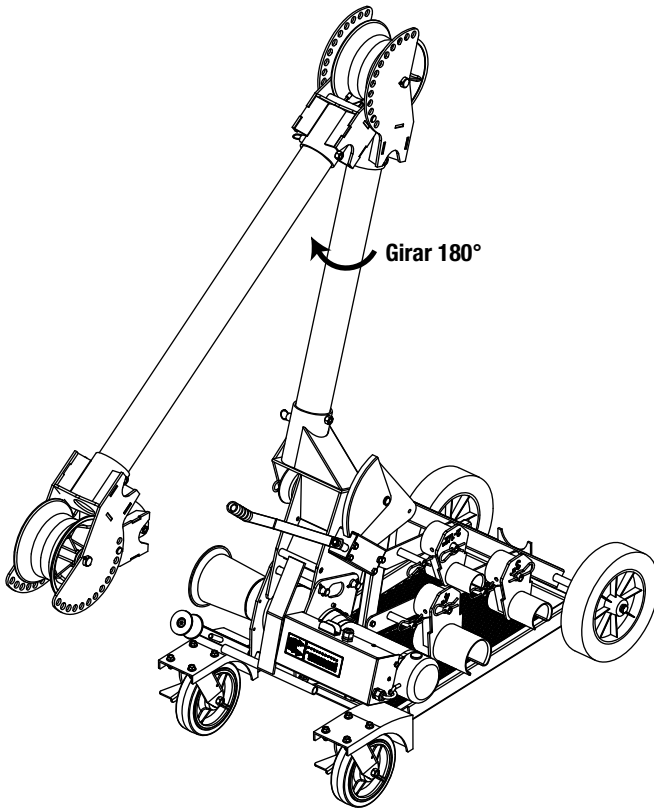


**Bájelo sobre el conducto**

## Instalación del brazo (continuación)

### Tracción descendente partiendo de una posición de tipi

1. Accione los frenos.
2. Pivotee el codo una o dos posiciones de retención hacia afuera. Levante la polea para liberar cualquier carga previa en la clavija retenedora sujetando el brazo trasero al codo.
3. Mientras sujeta el retenedor afuera, gire el codo en el brazo trasero 180° y para ello desplácelo alrededor del carro.



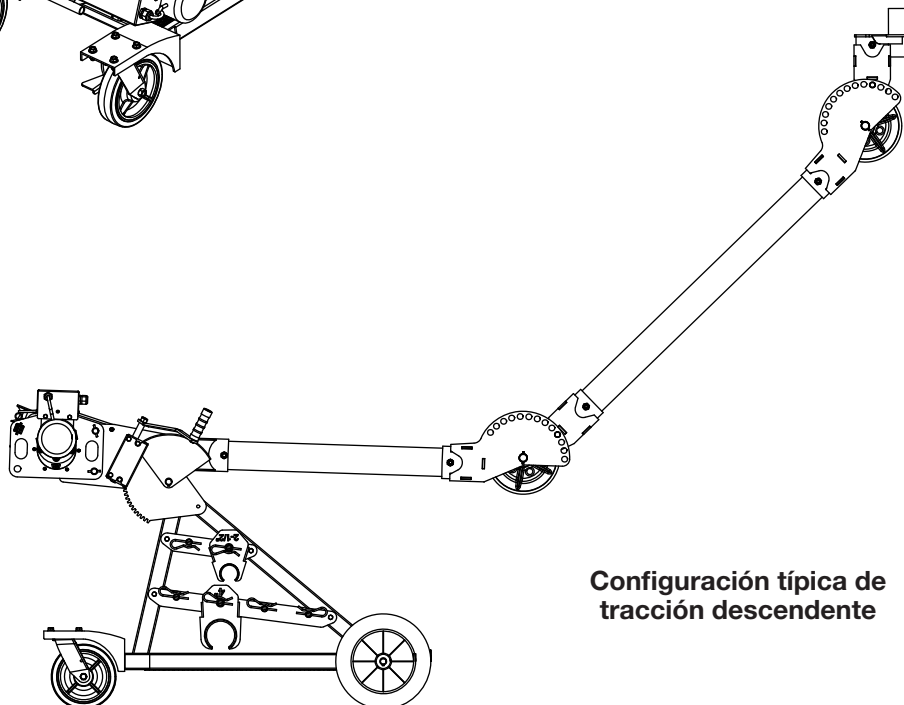
4. Baje todo el brazo hasta que el brazo delantero esté cercano a la vertical.
5. Baje el brazo delantero hasta que el codo esté cerca del ángulo deseado para la configuración de tracción.
6. Suba o baje el brazo hasta que la polea esté justo debajo del conducto desde el cual se realizará la tracción.

#### Para usar acoples deslizantes:

- a. Introduzca el acople deslizante adaptador de conducto en la polea.
- b. Pivotee la polea hasta que el acople esté alineado con el conducto y bloquéelo en posición.
- c. Baje el brazo hasta que el acople se separe del conducto.
- d. Libere los frenos.
- e. Avance el carro hacia adelante hasta que el acople esté debajo del conducto y levántelo.

#### Para usar acoples de rosca:

- a. Enrosque el acople de adapte de rosca apropiado completamente en el conducto.
- b. Pivotee la polea hasta que esté alineada con el acople y bloquéela en posición.
- c. Baje el brazo hasta que el acople se separe del conducto.
- d. Libere los frenos.
- e. Avance el carro hacia adelante hasta que la polea esté debajo del acople, hale el anillo de retención y eleve la polea sobre el acoplador.



**Configuración típica de tracción descendente**

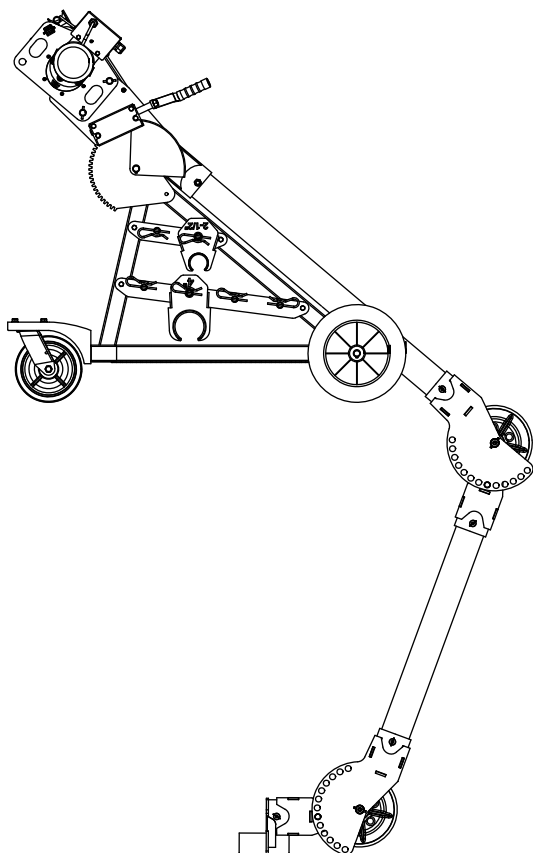
## Instalación del brazo (continuación)

### Tracción horizontal

Las operaciones de tracción horizontal son esencialmente lo mismo que una tracción ascendente vertical o descendente vertical.

- Si el conducto se encuentra arriba del tiracables, siga las instrucciones para tracción ascendente.
- Si el conducto se encuentra abajo del tiracables, siga las instrucciones para tracción descendente.

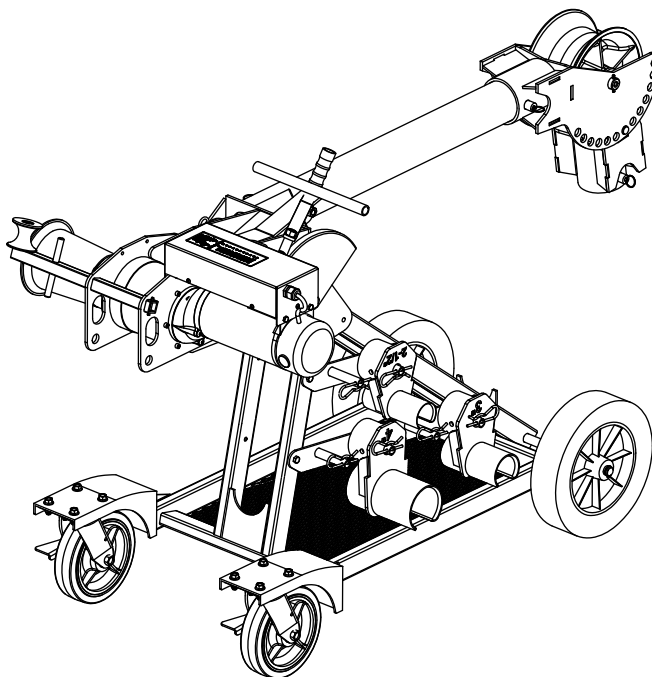
La única diferencia está en la alineación horizontal del acople con el conducto y el uso del carro para avanzar el acople en el conducto (o la polea en el acople para los adaptadores de rosca).



Tracción horizontal en una bóveda subterránea

### Tracción con un solo brazo

Todas las instrucciones de instalación de brazo anteriores suponen el uso de dos brazos. No obstante que dos brazos pueden ser útiles para trabajar alrededor de obstrucciones, mantener los ángulos sobre las roldanas al mínimo, y tirar hacia, afuera cola adicional de soga no es siempre necesario. Para mantener las instalaciones aún más sencillas, se puede utilizar un solo conducto rígido de 0,9 m (3 pies), 1,2 m (4 pies) o de 7,62 cm (3 pulg.) de hasta 3,2 m (10 pies) de longitud.



Instalación del brazo sencillo

## Instalación del brazo (continuación)

### Componentes del brazo

#### **⚠ADVERTENCIA**

- Use solamente brazos suministrados por Greenlee o conducto de acero rígido, recto de 3 pulg. de diámetro o tubo de acero Programa 40 para tubos de brazo.
- No use brazos tubulares con longitudes mayores de 3 metros (10 pies). Los brazos de mayor longitud se pueden doblar o romper.

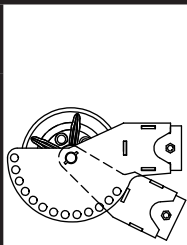
De no observarse esta advertencia podrían sufrirse lesiones graves o incluso la muerte.

Use únicamente estos brazos tubulares:

- Brazos tubulares suministrados con la unidad UT10
- Conducto de acero rígido de 3 pulg. (3 m o 10 pies como máximo).
- Tubos de 3 pulg. Programa 40 (3 m o 10 pies como máximo)

Si se usa conducto rígido de 3 pulg. en vez de los brazos estándar:

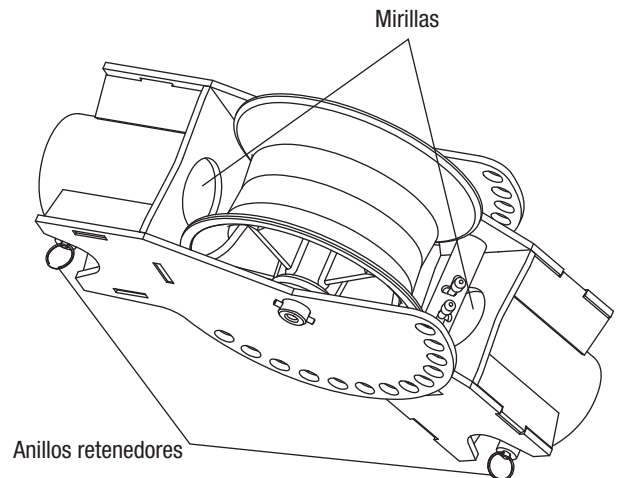
1. Introduzca el conducto mientras tira de los anillos de retención.
2. Deslice completamente el conducto y a través de las mirillas verifique si está asentado.
3. Use tornillos de 1/2-13 pulg. (no se suministran) en las tuercas soldadas para fijar el conducto en posición.



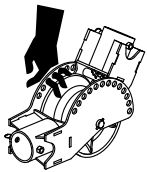
#### **⚠ADVERTENCIA**

Si se desensambla la unidad con codo/polea, vuelva a ensamblar la unidad según se muestra. La instalación errónea causará que colapse la unidad de codo.

De no observarse esta advertencia podrían sufrirse lesiones graves o incluso la muerte.



#### **⚠ADVERTENCIA**



Punto de corte:

Nunca introduzca los dedos en los orificios de los componentes del brazo. El pivoteo de piezas acopladas puede cortar los dedos. Mantenga siempre la unidad de codo bloqueada con el pasador de pivote excepto durante el ajuste.

De no observarse esta advertencia podrían sufrirse lesiones graves o incluso la muerte.

## Transporte del brazo

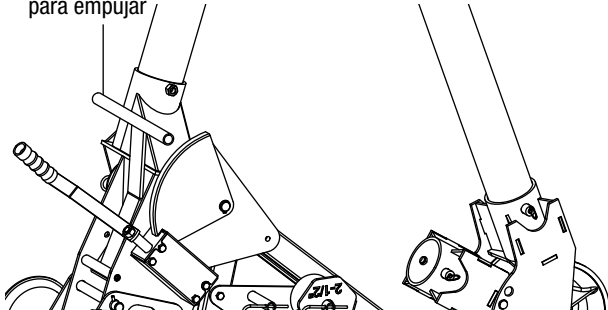
### Sobre ruedas

1. Si la unidad ha sido instalada para realizar tracciones ascendentes:
  - a. Baje la polea hasta el piso para llegar a la posición de transporte de tipi.
  - b. Bloquee los retenedores de pivote del codo en la posición hacia adentro.
  - c. Levante el brazo con la manivela hasta que la polea se eleve sobre el piso y suelte los retenedores.

### Si la unidad ha sido instalada para realizar tracciones descendentes:

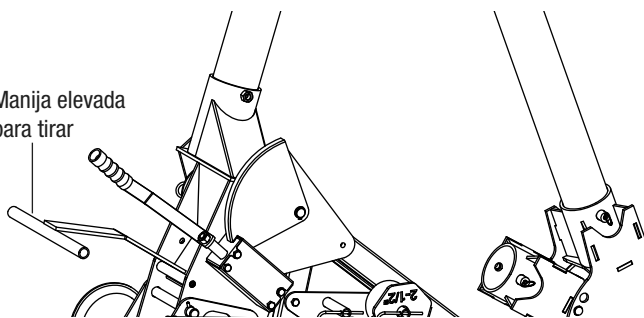
- a. Suelte los retenedores del pivote del codo, pliegue el brazo delantero hacia atrás en la penúltima posición, y bloquee el codo.
  - b. Eleve el brazo hasta arriba hasta que tope.
  - c. Suelte el retenedor del anillo de tiro que sujeta el brazo trasero al codo, y gire el codo 180° hasta su posición tipi.
2. Levante la manija de empuje y tiro hasta que haga contacto con la base del brazo para empujar el carro. Use la misma manija para tirar de la unidad.

Manija elevada para empujar



Posición de la manija para el empuje

Manija elevada para tirar

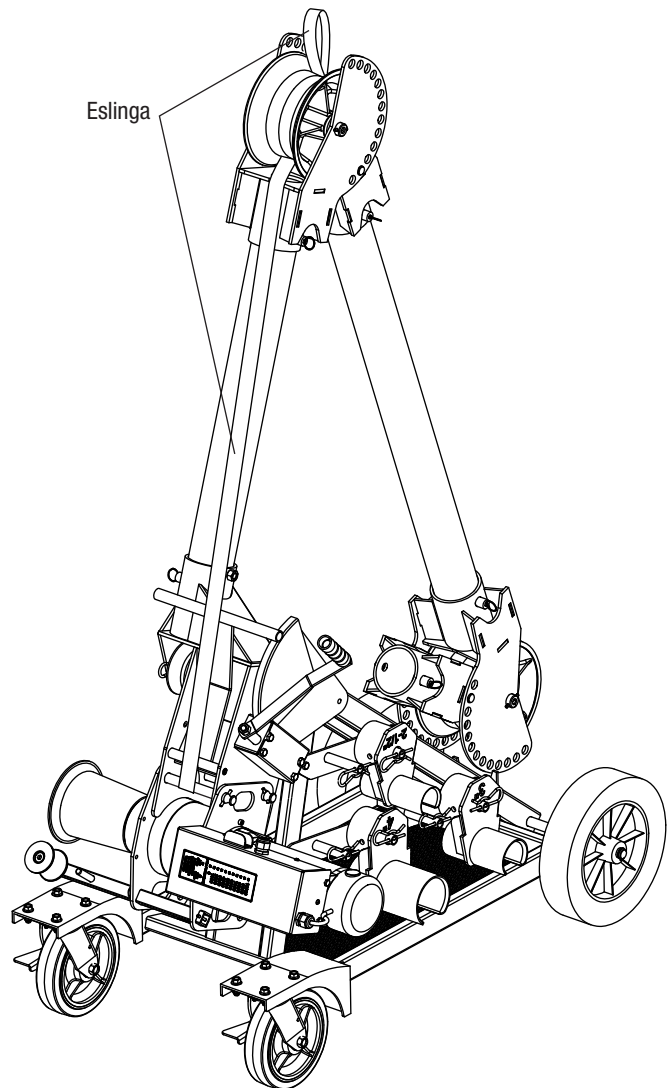


Posición de la manija para el tiro

3. Pliegue la manija hacia abajo sobre el cabezal de tracción cuando no esté en uso a fin de mantenerla fuera del paso.

### Elevación

1. Conecte una eslinga de elevación en el pasador de montaje del cabezal de tracción superior.
2. Pase la eslinga entre la roldana y el bastidor del codo a fin de que quede atrapada.
3. Levante la eslinga anterior del codo.

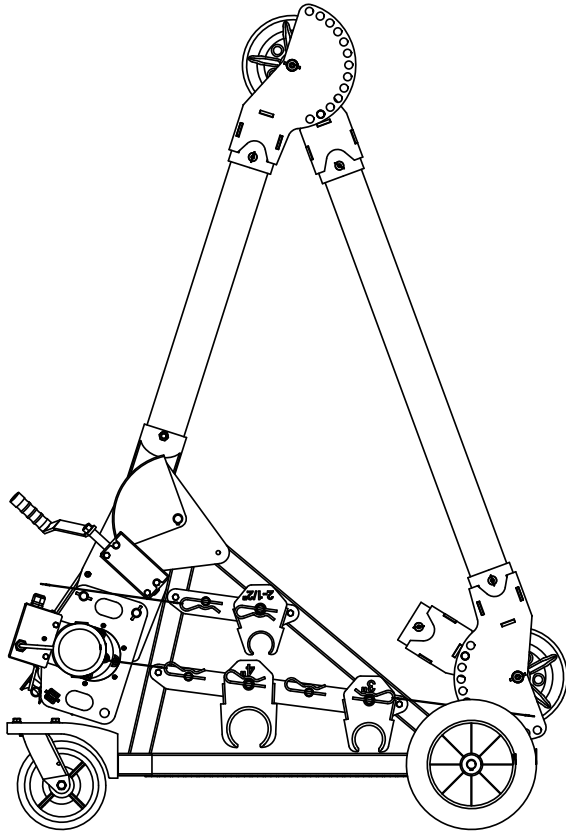


## OPERACIÓN

### Operación del brazo

#### Elevación y descenso

El brazo puede elevarse y bajarse utilizando la manivela en frente del tiracables. Gire la manivela a la izquierda para elevar el brazo y a la derecha para bajar. Al comenzar desde la posición de tipi, libere el codo antes de bajar el brazo a fin de evitar que éste golpee contra el carro.



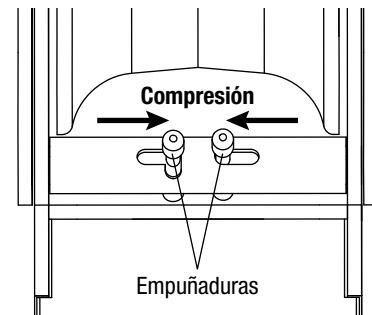
Posición de tipi

#### Pivoteo de las unidades de codo y polea

Las unidades de codo y polea son físicamente idénticas y pueden utilizarse de manera intercambiable. Para fines de claridad en este manual:

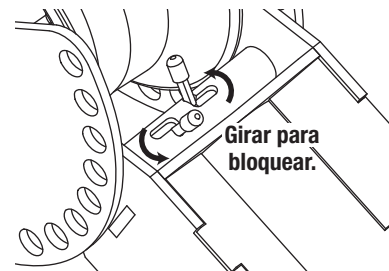
- La “Polea” se refiere a la unidad que se acopla al conducto mediante acopladores.
- “Codo” se refiere a la unidad que se conecta a dos brazos tubulares.

Las unidades de codo/polea pivotean y se bloquean con diferentes grados de rotación. Éstas se bloquean en posición por medio de una clavija retenedora ubicada entre la roldana y el extremo del receptáculo del brazo tubular. Para pivotear, oprima las empuñaduras de las clavijas retenedoras completamente hacia adentro.



Asegúrese de que las clavijas retenedoras en ambos lados estén completamente retraídas antes de intentar realizar el pivoteo. Suelte las empuñaduras cuando se alcance el ángulo de pivoteo deseado, y realice un pivoteo levemente mayor para permitir que ambas clavijas retenedoras se enganchen en los orificios más próximos.

Cuando se oprimen las clavijas retenedoras hasta la posición completamente hacia adentro, éstas pueden bloquearse en posición girándolas hacia la izquierda.



Nunca tire cable cuando las clavijas retenedoras estén bloqueadas hacia adentro; tanto el codo como la polea deberán estar bloqueados contra el pivoteo antes de realizar el tiro.

## Operación del brazo (continuación)

### Brazos tubulares

El sistema de tracción viene estándar de fábrica con un brazo de 1,2 m (4 pies) y 0,9 m (3 pies) de longitud. La instalación predeterminada se realiza con el brazo de 0,9 m (3 pies) entre el tiracables y el codo, y el tubo de 1,2 m (4 pies) entre el codo y la polea. Esta instalación puede invertirse a discreción del usuario. Los brazos tubulares se sujetan en posición mediante clavijas retenedoras con anillos de tiro.

Además, la tubería rígida de 3 pulg. de hasta 3,2 m (10 pies) de longitud puede sustituir a cualquiera o a ambos brazos tubulares. Si se utiliza conducto rígido de 3 pulg., se debe tener en cuenta dos condiciones:

- Debido a que los retenedores no sujetarán el conducto en posición en los receptáculos, el conducto debe sujetarse con abrazaderas en posición en el lado opuesto de las clavijas retenedoras utilizando tornillos de 1/2-13 pulg. (no se suministran).
- Debido a que el peso será demasiado grande para usar la manivela a fin de elevar y bajar el brazo, se requiere asistencia manual.

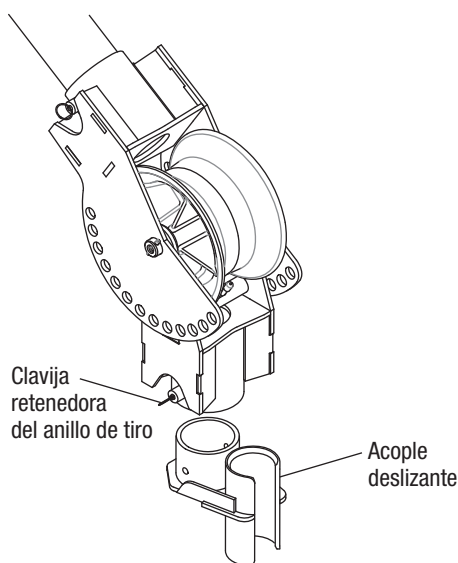
### Acoples de adapte del conducto

Los acoples para sujetar el sistema de tracción al conducto están disponibles en diámetros de 2, 2-1/2, 3, 3-1/2, 4, y 5 pulg.

Existen dos tipos: deslizantes y de rosca:

- Los acoples deslizantes son los más fáciles de usar pero se introducen y afectan el diámetro interior del conducto.
- Los acoples de rosca no reducen el diámetro interior efectivo del conducto, pero se requiere más tiempo para su instalación.

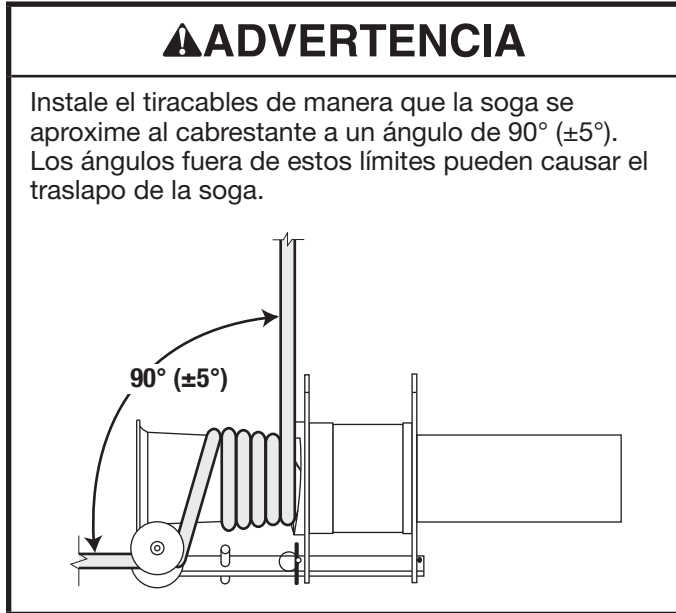
Si se utilizan brazos más largos que la dimensión estándar, quizá sea necesario utilizar acoples de rosca a fin de apoyar el brazo y evitar que éste caiga. Los acoples de adapte del conducto encajan en los mismos receptáculos que los brazos tubulares y se sujetan por medio de las mismas clavijas retenedoras con anillo de tiro.



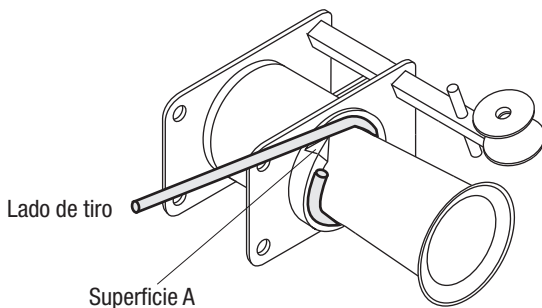


## Funcionamiento del tiracables

1. Introduzca la soga a través el conducto.
2. Instale el tiracables. Consulte las instrucciones en la sección "Instalaciones típicas".



3. Ajuste la rampa de la soga de la manera siguiente:



- a. Enrolle la soga varias veces alrededor del cabrestante.
  - b. Tire de la rampa hacia afuera de la placa de montaje y gírela hasta que la superficie A haga contacto con la soga.
  - c. Empuje la rampa hacia la placa de montaje y gírela a la izquierda hasta que enganche en posición.
4. Enchufe el tiracables a un tomacorriente de 20 amperios conectado a tierra. Encienda el interruptor/disjuntor.
  5. Las luces realizarán un ciclo por la secuencia de encendido y sólo permanecerá encendida la luz "0". La velocidad predeterminada de arranque es la alta. La luz indicadora de alta velocidad se encenderá. Para cambiar la velocidad a baja, golpee dos veces

el interruptor de pedal. Se iluminará la luz de baja velocidad. Vuelva a golpear dos veces el interruptor de pedal para devolver la velocidad a la posición alta.

6. Después de presionar el interruptor de pedal, la luz indicadora verde de 0 lb se encenderá. A medida que la fuerza aumenta, una luz adicional se iluminará por cada aumento de 1000 lb en la fuerza de tracción.
  - Si se excede el límite continuo de operación del tiracables en modo de alta velocidad, las luces verdes comenzarán a iluminarse intermitentemente.
  - Si se excede el límite de operación continua del tiracables en modo de velocidad baja, se iluminarán las luces amarillas.
  - La luz roja se ilumina al llegar a 10.000 lb para indicar que se ha llegado al límite máximo de operación del tiracables. El disyuntor (o limitador de corriente) puede apagar el tiracables antes o poco tiempo después de que se encienda la luz roja.
7. Asegúrese de que todo el personal cercano no esté colocado en línea con o cerca de las sogas de tiro. La roldana en ángulo recto en la unidad UT10 deberá utilizarse para permitir al operador colocarse de pie a un lado según sea necesario.
8. Colóquese usted de manera que pueda ver las luces indicadoras del calibrador de fuerza. Consulte la Tabla que se incluye a continuación.

### Luces indicadoras del calibrador de fuerza

Estado de las luces de fuerza	Fuerza de tracción (lb)	Ciclo de trabajo
Verde	0-6500 (baja)	Continuo
	0-3250 (alta)	
Verde intermitente	3250-4000 (alta)	15 ENCENDIDO/ 15 APAGADO
Amarilla	6500-8000 (baja)	15 ENCENDIDO/ cambiar a baja
Roja	Más de 8000	PARAR

9. Sujete la cola de la soga de tiro. Aplique una fuerza leve a la cola de la soga de tiro.
10. Ponga en marcha el tiracables oprimiendo sin soltar el interruptor de pedal.
11. Tire de la cola de la soga de tiro, deje que la soga que salga del cabrestante se acumule en el piso entre el operador y el tiracables.
12. Al terminar la tracción de cables, coloque el tiracables en la posición APAGADO. Amarre la soga de tiro y ancle el cable.

## Desmontaje del cable

El desmontaje del cable gastado involucra los mismos principios de la instalación de un cable nuevo. Sin embargo, existen algunas diferencias importantes.

### Fuerza de tracción

Es difícil predecir la cantidad de fuerza de tracción necesaria para retirar un cable gastado. El cable podría estar dañado, y podría romperse con una fuerza de tracción inesperadamente baja.

Las fuerzas de tracción requeridas podrían ser muy altas:

- El cable probablemente esté “asentado”. A diferencia del nuevo cable en un carrete, el cable en el conducto probablemente ha estado allí por años, o quizá décadas. El cable ofrecerá resistencia a la flexión y al enderezado cuando se tire de él a través del conducto.
- El lubricante de tracción probablemente esté endurecido, lo cual aumenta la resistencia de tracción.
- El aislamiento podría estar dañado y el cable podría estar corroído.
- Suciedad y otras materias extrañas podrían haber ingresado al conducto y cementado el cable en posición.

### Colocación del tiracables

La extracción del cable viejo usualmente se logra con el tiracables ubicado a cierta distancia del extremo del conducto. Esto le permite a la cuadrilla de trabajo extraer una sección más larga de cable antes de apagar el tiracables, cortar el cable y volver a acoplar las abrazaderas. La instalación del tiracables a cierta distancia del extremo del conducto aumenta la cantidad de soga de tiro expuesta, lo cual aumenta grandemente la cantidad de azote violento que podría ocurrir si la soga se rompiese.

Para aislar al operador de la trayectoria de la soga:

- Coloque el tiracables de manera que le permita colocarse detrás de una obstrucción, tal como una pared. Coloque el tiracables de manera que usted pueda mantener el control del tiro. Usted necesitará una clara visibilidad de la soga al avanzar por el cabrestante, incluso varios pies de soga al frente del cabrestante. Será necesario que pueda apagar el tiracables antes de que la abrazadera de tracción, el conector o la placa giratoria hagan contacto con el cabrestante.
- Utilice una roldana adicional de tracción (si fuese necesario) para cambiar la dirección de la cola de la soga de tiro. Ancle la roldana de manera que usted pueda colocarse lo suficientemente cerca para mantener el control del tiro. Usted necesitará una clara visibilidad de la soga al avanzar por el cabrestante, incluso varios pies de soga al frente del cabrestante. Será necesario que pueda apagar el tiracables antes de que la abrazadera de tracción, el conector o la placa giratoria hagan contacto con el cabrestante.

*Nota: Utilice la roldana adicional de tracción para cambiar la dirección de la cola de la soga de tiro (después que la soga de tiro salga del cabrestante). No cambie la dirección de la soga de tiro.*

- Utilice una cola de soga de tiro de mayor longitud de lo usual y apártese del tiracables. Párese lo más lejos posible del tiracables, mientras mantiene el control sobre el tiro. Usted necesitará una clara visibilidad de la soga al avanzar por el cabrestante, incluso varios pies de soga al frente del cabrestante. Será necesario que pueda apagar el tiracables antes de que la abrazadera de tracción, el conector o la placa giratoria hagan contacto con el cabrestante.

## SERVICIO

**Sólo técnicos calificados deben hacerle servicio a la herramienta.** Si el servicio o el mantenimiento es efectuado por personal no calificado, se corre el riesgo de sufrir lesiones.

**Cuando le haga el servicio a la herramienta, utilice únicamente repuestos idénticos. Siga las instrucciones contenidas en la sección "Mantenimiento" de este manual.** El uso no autorizado de piezas o no seguir las instrucciones de mantenimiento pueden dar lugar a un electrochoque o lesiones.

## Mantenimiento

### IMPORTANTE

**Solamente personal autorizado deberá realizar el mantenimiento.**

#### Notas sobre el mantenimiento general

- Reemplace cualquier parte que esté rota, agrietada o gastada.
- Cambie los cojinetes que no giren libremente.
- Limpie todas las superficies de contacto antes del ensamblaje.
- Reemplace la grasa del engranaje con Sentinel SL-WPG o equivalente.

#### Notas de servicio específicas

- La vida útil promedio de las escobillas del conmutador es de aproximadamente 100 horas. Reemplace las escobillas cuando la longitud se reduzca a menos de 9,5 mm (3/8 pulg.)
- Cambie la rampa de la soga si presenta ranuras de más de 6,5 mm (1/4 pulg.)
- Cambie el cabrestante si presenta ranuras de más de 0,15 mm (1/16 pulg.)
- El tiracables no requiere lubricación alguna durante su vida útil de servicio normal.

#### Remoción y desmontaje de la caja de control

1. Retire los cuatro tornillos de cabeza hueca hexagonal y las tuercas que sujetan la abrazadera de la caja de control.
2. Afloje el motor y los protectores contra tirones del alambre eléctrico. Retire los seis tornillos que sujetan la cubierta a la placa de base.
3. Desconecte los conductores blanco y negro de las tarjetas de circuitos.
4. Desenrosque el alambre verde de tierra de la placa de base.
5. Desconecte el cable del listón.

6. Desconecte el cable eléctrico en la tarjeta de circuitos y en el disyuntor.
7. Desconecte el enchufe del interruptor de pedal.
8. Extraiga la unidad de control.

#### Notas sobre el ensamblaje de la caja del interruptor

1. El cable de listón tiene una flecha en la conexión de la clavija No. 1, la cual va junto al receptáculo del interruptor de pedal.
2. El interruptor se enchufa en el receptáculo más cercano al cable de listón.
3. El conductor blanco del motor se conecta a la lengüeta más cercana del enchufe del interruptor de pedal.

### IMPORTANTE

Si se invierten los conductores se dañará el primer cubo reductor.

#### Desmontaje del motor

1. Retire la caja de control.
2. Retire las tapas negras de las escobillas del conmutador y saque las escobillas del conmutador.
3. Use una llave de cubo de 7/16 pulg. para extraer las tuercas y las arandelas en la parte trasera del motor.
4. Extraiga la caja de la cola del motor.
5. Extraiga la caja del imán.
6. Extraiga la armadura.

#### Notas para el ensamblaje del motor

1. Si la armadura no gira libremente después de su instalación, es porque se han enganchado los dientes erróneos del engranaje.
2. Sujete la armadura en posición al instalar la caja del imán.
3. Introduzca el pasador de rodillo de la caja del imán en la ranura de la caja de la cola.

#### Remoción del cabrestante

1. Use una llave cubo de 1-1/8 pulg. para extraer los pernos y arandelas de sujeción del cabrestante.
2. Saque el cabrestante del eje.  
Si el cabrestante está atorado: Extraiga la rampa de la soga. Use dos barras de apalancamiento en ambos lados del cabrestante entre la caja del engranaje y el cabrestante.
3. Retire la chaveta.
4. Retire la rampa de la soga.

## Mantenimiento (continuación)

### Nota sobre el ensamblaje del cabrestante

1. Elimine el óxido antes de volver a ensamblar el cabrestante.
2. **No golpee el cabrestante con un martillo para introducirlo en el eje.** Use un perno de 65 mm (2-1/2 pulg.) o más largo para halar el cabrestante sobre el eje.

### Remoción de la escuadra de soporte de la roldana en ángulo recto

1. Extraiga la clavija retenedora.
2. Deslice el brazo hacia el motor. Use un punzón pequeño para retirar el pasador de rodillo.
3. Retire la escuadra de soporte.

### Desensamblaje de la caja de herramientas

1. Retire la caja de control, el motor, el cabrestante, y la escuadra de soporte de la roldana en ángulo recto.
2. Retire los seis tornillos que fijan la placa de montaje del motor.
3. Retire la placa de montaje del motor.
4. Retire los dos tornillos adicionales que aún sujetan la caja intermedia (una en el interior y una en el exterior).
5. Retire la caja intermedia.
6. Retire el engranaje de reversa y el eje. Deslice los engranajes de relación alta y baja fuera del eje de entrada del planetario.
7. Retire los seis tornillos que fijan la placa de montaje del tiracables.
8. Retire la placa de montaje del tiracables y la placa de entrada del planetario.
9. Retire el 1er engranaje central (sol) reductor y el eje con cojinete de la placa de entrada del planetario.
10. Extraiga el grupo del 1er engranaje reductor.
11. Extraiga el 2do grupo de engranajes reductores y el eje central.
12. Extraiga el eje de salida y el tercer grupo reductor.
13. Retire los seis tornillos que sujetan la placa de montaje del tiracables restante.
14. Retire la placa de montaje y el engranaje de anillo.
15. Retire los pasadores, las arandelas, y las chavetas según sea necesario.

### Notas de ensamblaje de la caja de engranajes

1. Limpie todas las superficies de contacto del anillo. Aplique un sellador de bridas (Loctite® 515 o equivalente) a todas las superficies de contacto del anillo.
2. Instale las placas de montaje. Visto desde el extremo del motor, los pernos de montaje del motor deberán estar colocados en posiciones de la 1 y 7 en punto. El orificio cuadrado en la placa de montaje deberá estar colocado en posición de las 10 y las 11 en punto.
3. Coloque las placas de montaje de manera que las cabezas de los pernos en el lado del cabrestante encajen en los rebajos avellanados de las placas de montaje.
4. Ensamble los engranajes de velocidad alta y baja de manera que giren libremente hacia la derecha y se bloqueen al girar hacia la izquierda vistos desde el extremo del motor.

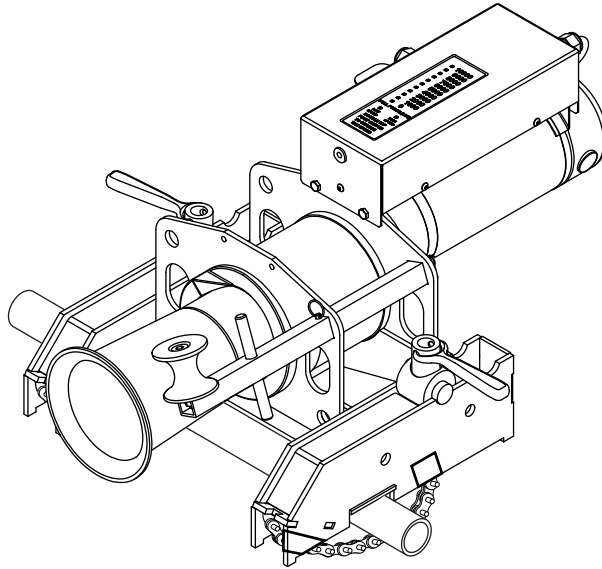
### Desensamblaje de los porta engranajes planetarios

1. Retire los tornillos de cabeza plana.
2. Utilice la barra de apalancamiento para retirar la placa de cubo del cubo y los pasadores.
3. Retire las arandelas de empuje, los engranajes, las arandelas de empuje y el eje.
4. Retire el engranaje central (sol) SOLAMENTE si es necesario reemplazarlo.

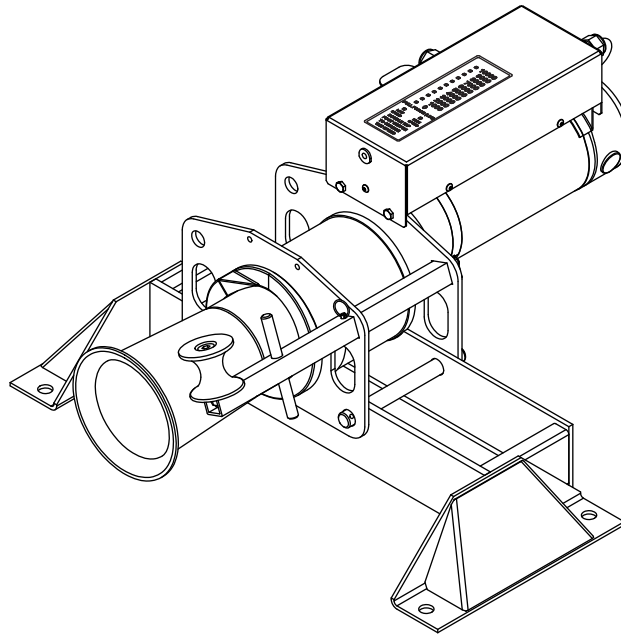
### Ensamblaje del corta engranajes planetario

1. Coloque los ejes en el cubo. El extremo con la sección plana deberá quedar de frente hacia afuera.
2. Los primeros engranajes reductores planetarios deberán colocarse con el extremo del engranaje en dirección al cabrestante.
3. Al reemplazar el cojinete/embrague del primer engranaje reductor, la dirección de la flecha de bloqueo deberá apuntar hacia la izquierda (visto desde el extremo del engranaje).
4. **Al reemplazar el cojinete de bolas en el eje de salida, el lado grueso de la ranura exterior deberá quedar de frente hacia el cabrestante.**
5. Use un compuesto para sello de roscas removibles, tal como Loctite® 242® Threadlocker o equivalente, en los tornillos de cabeza plana #10-32 (artículos 35 y 36 en el motor de engranajes). Siga las instrucciones del fabricante para el curado.

**ACCESORIOS**



**Montaje de cadena — Fijado a un conducto o tubería de acero**




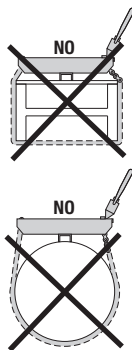
**Montaje al piso — Fijado a un piso de concreto**

## Instalación – Montaje de cadena

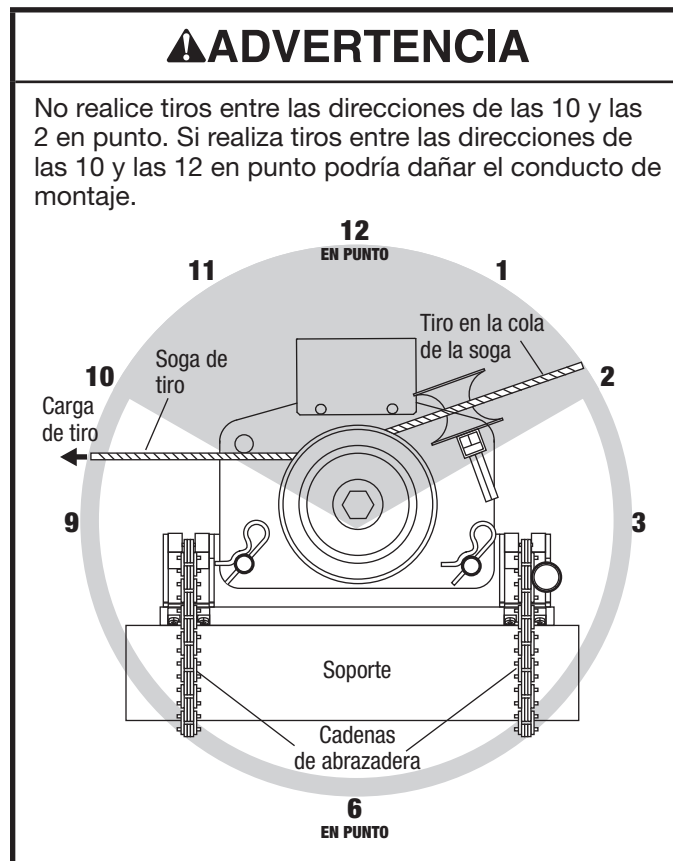
Requiere: Conducto metálico expuesto con las siguientes características:

- 63,5 mm a 254 mm (2-1/2 a 10 pulg.) de diámetro
- capaz de resistir una fuerza mínima de 44,5 kN (10.000 lb)

	<h3>⚠ADVERTENCIA</h3>
	<p>No instale el montaje de cadena en los siguientes elementos:</p> <ul style="list-style-type: none"> <li>• Conducto de acero menor de 63,5 mm (2-1/2 pulg.) de diámetro</li> <li>• Conducto de PVC de cualquier tamaño</li> </ul> <p>Estos conductos no resistirán las cargas transmitidas por el tiracables. De no observarse esta advertencia podrían sufrirse lesiones graves o incluso la muerte.</p>

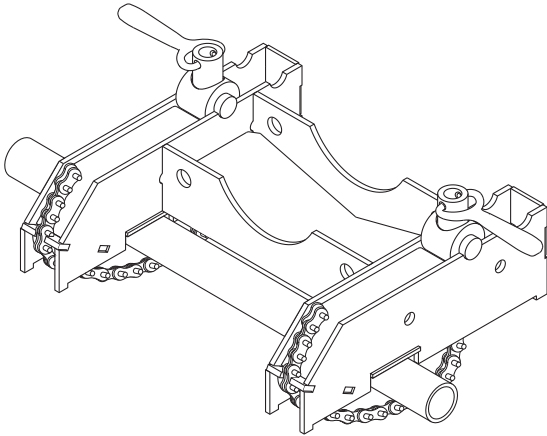
	<h3>⚠ADVERTENCIA</h3>
	<p>Al instalar el adaptador de tubería, no use las cadenas de abrazadera en un apoyo estructural que sea menor de 51 mm (2 pulg.) o mayor de 254 mm (10 pulg.) de ancho. Un apoyo estructural sobredimensionado o subdimensionado puede permitir que el tiracables se deslice o que se afloje y golpee al personal circundante. De no observarse esta advertencia podrían sufrirse lesiones graves o incluso la muerte.</p>

<h3>⚠ADVERTENCIA</h3>
<p>Instale correctamente las cadenas de abrazadera.</p> <ul style="list-style-type: none"> <li>• Siga cuidadosamente las instrucciones para apretar las cadenas de abrazadera. Las cadenas mal apretadas pueden hacer que el tiracables se deslice o se suelte y golpee al personal circundante.</li> <li>• No permita que las cadenas de abrazadera se atoren en los bordes angulares al instalar el tiracables sobre un apoyo cuadrado o rectangular. La cadena de abrazadera debe estar uniformemente apretada en todos los puntos.</li> </ul> <p>De no observarse esta advertencia podrían sufrirse lesiones graves o incluso la muerte.</p>

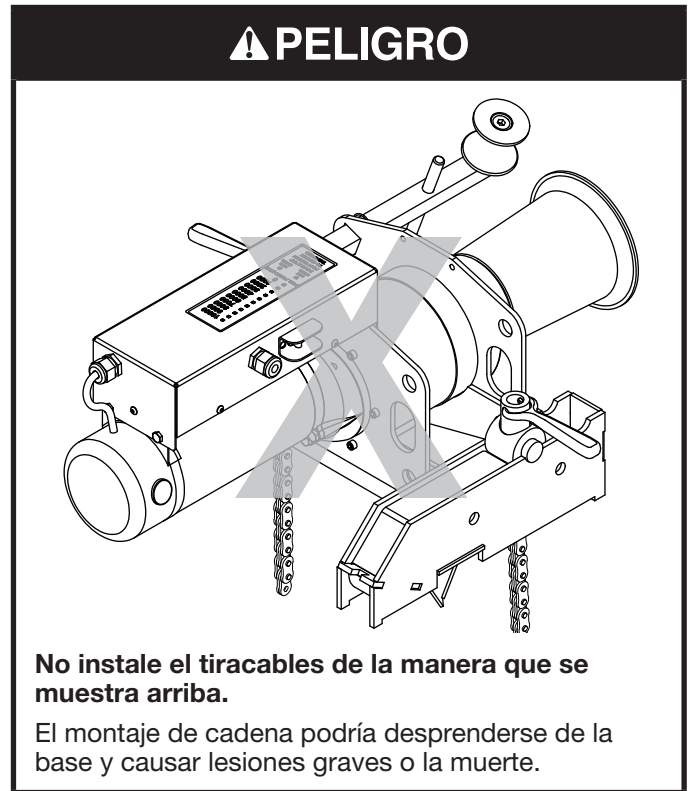
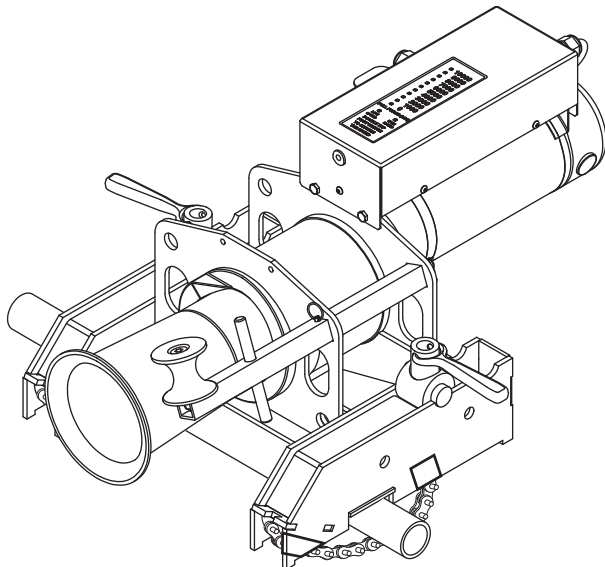


**Instalación – Montaje de cadena (continuación)**

1. En cada unidad de cadena de abrazadera:
  - a. Gire a la izquierda el mango de la cadena de abrazadera para exponer la mayoría de las roscas. Deje únicamente tres o cuatro roscas enganchadas en el mango.
  - b. Enrolle la cadena alrededor del conducto.



- c. Tire con fuerza de la cadena de abrazadera e introduzca los pasadores de la cadena en las cavidades para la cadena, o rebajos.
    - d. Gire a la derecha el mango para apretar la cadena. Apriete la cadena lo más que pueda con la fuerza de la mano. No use una “palanca”.
2. Coloque el tiracables en la base del montaje de cadena, según se muestra, a fin de que el interior del cabrestante quede directamente sobre el montaje.
3. Instale dos pasadores desde el lado del motor. Fije los pasadores con dos chavetas de pasador de enganche.



## Instalación – Montaje al piso

Requiere: Un piso de concreto con las características siguientes:

- Concreto tipo estructural completamente curado
- Resistencia mínima a la compresión de 211 kg/cm<sup>2</sup> (3000 psi)
- Sin fisuras, desmoronamiento o parches de reparación

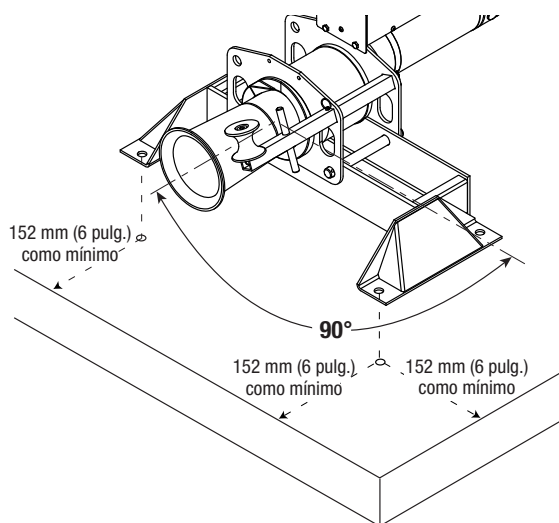
### ⚠️ ADVERTENCIA

Siga cuidadosamente todas las instrucciones de montaje.

- Una instalación deficiente al piso puede aflojarse y golpear al personal circundante.
- No se debe acoplar la instalación de piso a mampostería, ladrillo o bloques de concreto. Estos materiales no podrán sujetar las anclas de manera segura.

De no observarse esta advertencia podrían sufrirse lesiones graves o incluso la muerte.

1. Determine la mejor posición para la ubicación de la base de montaje al piso. Coloque el montaje al piso:
  - En una sección plana
  - Al menos a 152 mm (6 pulg.) del borde del concreto
  - Lo más cerca posible al conducto para reducir la cantidad de soga expuesta bajo tensión
  - De tal manera que la soga de tiro pueda aproximarse al cabrestante del tiracables a un ángulo de 90° (± 5°).



2. Coloque la base de montaje al piso en la ubicación deseada. Utilice la base de montaje al piso como plantilla para taladrar cuatro orificios de Ø15,87 mm (5/8 pulg.) con una profundidad mínima de 152 mm (6 pulg.).

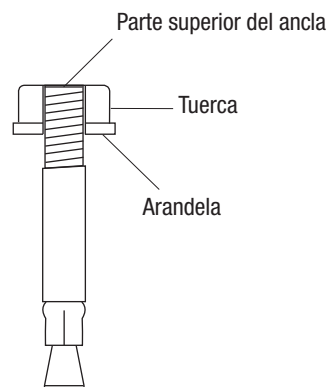
*Nota: Utilice una broca Ø15,87 mm (5/8 pulg.) para mampostería con punta de carburo fabricada de conformidad con las normativas ANSI B94.12-77.*

3. Limpie con aspiradora los residuos de los orificios.

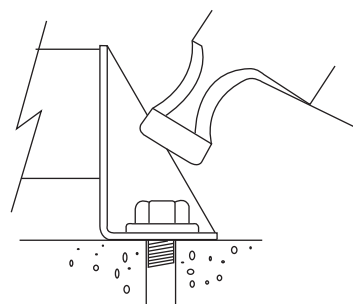
### Instalación

Greenlee recomienda el uso de anclas de cuña Greenlee 35607. Si se utiliza otro tipo de ancla, será necesario que tengan una tensión permisible y capacidad nominal de corte de 10,7 kN (2400 lb) en concreto de 211 kg/cm<sup>2</sup> (3000 psi), según las normativas de ICBO (International Conference of Building Officials).

1. Acople la tuerca y la arandela al ancla de manera que la parte superior de la tuerca quede a ras con la parte superior del ancla, según se muestra.



2. Introduzca las cuatro anclas a través de la base de montaje al piso hasta los orificios en el piso.
3. Clave las anclas hasta que la arandela haga contacto firmemente con la base de montaje al piso.



4. Apriete las tuercas con un par de 122 a 128 Nm (90 a 95 lb-pie) para expandir las anclas.

### ⚠️ ADVERTENCIA

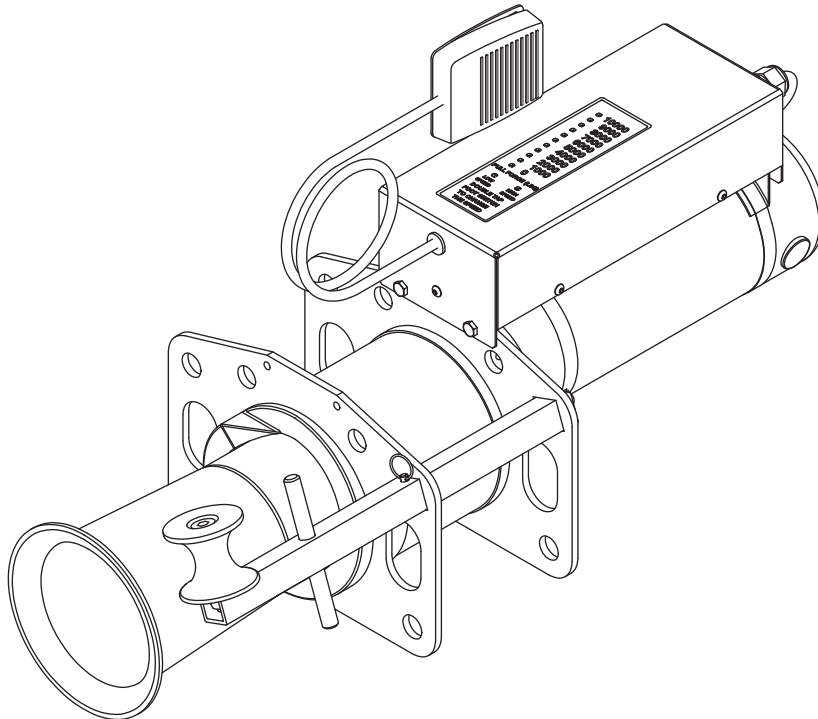
Si cualquiera de las cuatro anclas girase antes de que se alcance el par de torsión mínimo, abandone la ubicación y comience en otro punto. Un ancla instalada erróneamente puede causar que se suelte el tiracables.

De no observarse esta advertencia podrían sufrirse lesiones graves o incluso la muerte.

5. Un inspector calificado deberá verificar la instalación.



# MANUEL D'INSTRUCTIONS



## Treuil de tirage UT10 Ultra Tugger<sup>®</sup> et ensembles de tirage

Codes de série ANB et BBD



**Lire et comprendre** toutes les instructions et les informations sur la sécurité figurant dans ce manuel avant d'utiliser ou de procéder à l'entretien de cet outil.

Enregistrez votre produit en ligne, [www.greenlee.com](http://www.greenlee.com)

## Table des matières

Description .....	74	
Sécurité .....	74	
Objet de ce manuel .....	74	
Règles de sécurité générales .....	75	
Règles de sécurité particulières et symboles .....	76-79	
Instructions de mise à la terre .....	79	
<b>DESCRIPTION FONCTIONNELLE</b>		
Identification .....	80-81	
Caractéristiques techniques .....	82	
Glossaire du tirage de câble .....	83	
Principes du tirage de câble .....	84-92	
Systèmes de tirage de câble .....	84	
Théorie du tirage .....	85	
Forces de tirage de câble .....	86-90	
Ravaler la corde .....	91	
Récapitulatif des principes du tirage de câble .....	92	
Planifier le tirage .....	92	
<b>MONTAGE</b>		
Montage/démontage de la flèche .....	93	
Montage de la flèche .....	94-97	
Tirage vers le haut depuis la position « tipi » .....	94	
Tirage vers le bas depuis la position « tipi » .....	95	
Tirage horizontal .....	96	
Tirage à flèche simple .....	96	
Éléments de la flèche .....	97	
Transport de la flèche .....	98	
<b>FONCTIONNEMENT</b>		
Fonctionnement de la flèche .....	99-100	
Fonctionnement du tire-câble .....	101	
Enlèvement de câble .....	102	
<b>ENTRETIEN</b> .....		103
Entretien .....	103-104	
<b>ACCESSOIRES</b>		
Montage — Bâti à chaînes .....	106-107	
Montage — Socle de fixation au sol .....	108	
Illustrations et nomenclatures des pièces		
Ultra Tugger 10 .....	109-110	
Moteur à engrenages .....	111-112	
Chariot mobile et flèche .....	113-114	
Accessoires .....	115	
Pédale .....	116	

## Description

Le treuil de tirage UT10 Ultra Tugger® de Greenlee est conçu pour le tirage de câbles à travers des conduits et dans des chemins de câble. L'UT10 développe une force de tirage de 44,5 kN (10 000 lb). Voir les galets, les cordes de tirage et autres accessoires de tirage de câbles dans un catalogue Greenlee pour créer un système de tirage de câbles complet.

Aucun manuel individuel ne peut fournir des instructions pour toute application de tirage de câble; ce manuel contient les informations générales nécessaires pour tirer des câbles dans différentes configurations.

## Sécurité

Lors de l'utilisation et de l'entretien des outils et de l'équipement de Greenlee, la sécurité est essentielle. Les instructions de ce manuel et celles qui sont inscrites sur l'outil fournissent des informations qui permettent d'éviter les dangers et les manipulations dangereuses liés à l'utilisation de cet outil. Veiller à respecter toutes les consignes de sécurité.

## Objet de ce manuel

Ce manuel a pour objet de familiariser tout le personnel avec les procédures préconisées pour une utilisation et un entretien sans danger du treuil de tirage UT10 Ultra Tugger® de Greenlee.

Mettre ce manuel à la disposition de tous les employés.

Des exemplaires gratuits peuvent être obtenus sur simple demande au site [www.greenlee.com](http://www.greenlee.com).

Toutes les caractéristiques sont nominales et peuvent changer conjointement aux améliorations apportées. Greenlee Tools, Inc. décline toute responsabilité pour les dommages résultant d'un emploi détourné ou abusif de ses produits.

Ultra Tugger est une marque déposée de Greenlee Tools, Inc.

Loctite et 242 sont des marques déposées de Henkel Corporation.

## **CONSERVER CE MANUEL**

## **RÈGLES DE SÉCURITÉ GÉNÉRALES**

**AVERTISSEMENT ! Lire et comprendre toutes les instructions.** Veiller à respecter toutes les instructions ci-dessous pour écarter les risques de décharge électrique, d'incendie et/ou de blessure grave.

### **CONSERVER CES INSTRUCTIONS**

#### **SÉCURITÉ DE L'AIRE DE TRAVAIL**

**Garder l'aire de travail propre et bien éclairée.** Les établis encombrés et les aires de travail mal éclairés favorisent les accidents.

**Ne pas utiliser les outils électriques dans des atmosphères explosives, notamment en présence de liquides, de gaz ou de poussières inflammables.** Les outils électriques produisent des étincelles susceptibles d'enflammer les poussières ou les vapeurs.

**Tenir les enfants, autres personnes et visiteurs présentes à l'écart durant l'utilisation d'un outil électrique.** Les distractions peuvent provoquer une perte de contrôle.

#### **SÉCURITÉ EN MATIÈRE D'ÉLECTRICITÉ**

**Les outils mis à la terre doivent être branchés dans une prise installée adéquatement et mise à la terre conformément à tous les codes et à toutes les réglementations en vigueur. Ne jamais retirer la prise de mise à la terre ni la modifier de quelque façon. Ne pas utiliser de fiches d'adaptateur. S'adresser à un électricien qualifié si les instructions en cas de doute concernant une mise à la terre adéquate.** En cas de mauvais fonctionnement électrique ou de panne des outils, la mise à la terre offre un circuit de moindre résistance en déviant l'électricité de l'utilisateur.

**Éviter tout contact corporel avec des surfaces reliées à la terre, notamment tuyaux, radiateurs, cuisinières et réfrigérateurs.** La mise à la terre du corps accroît le risque de décharge électrique.

**Ne pas exposer les outils électriques à la pluie ou à l'humidité.** L'infiltration d'eau dans un outil électrique accroît le risque de décharge électrique.

**Ne pas maltraiter le cordon. Ne jamais utiliser le cordon pour transporter les outils ni tirer sur la fiche pour les débrancher. Tenir le cordon à l'écart de sources de chaleur, d'huile, d'arêtes coupantes ou de pièces en mouvement. Remplacer tout cordon endommagé immédiatement.** Un cordon endommagé accroît le risque de décharge électrique.

**Lors de l'utilisation d'un outil électrique à l'extérieur, utiliser une rallonge pour l'extérieur marquée « W-A » ou « W ».** Ces rallonges sont homologuées pour une utilisation à l'extérieur et leur utilisation diminue le risque de décharge électrique.

#### **SÉCURITÉ INDIVIDUELLE**

**Faire preuve de vigilance, de concentration et de bon sens lors de l'utilisation d'un outil électrique. Ne pas utiliser un outil alors qu'on est fatigué ou sous l'emprise de drogues, d'alcool ou de médicaments.** Un instant d'inattention durant l'utilisation d'un outil électrique peut entraîner des blessures graves.

**Porter une tenue appropriée. Ne pas porter de vêtements amples ni de bijoux. Attacher les cheveux longs. Tenir les cheveux, les vêtements et les gants à l'écart des pièces en mouvement.** Les vêtements amples, les bijoux et les cheveux longs peuvent se prendre dans les pièces en mouvement.

**Éviter tout démarrage accidentel. Vérifier que l'interrupteur est en position d'arrêt avant de brancher.** Le fait de porter un outil électrique avec le doigt sur l'interrupteur ou de brancher des outils avec l'interrupteur en position de marche favorise les accidents.

**Enlever les clés de réglage ou les interrupteurs avant de mettre l'outil en position de marche.** Une clé laissée attachée sur une pièce tournante de l'outil peut provoquer des blessures.

**Ne pas travailler à bout de bras. Maintenir en permanence un pied ferme et un bon équilibre.** Un pied ferme et un bon équilibre permettent de mieux contrôler l'outil dans des situations inattendues.

**Utiliser un équipement de sécurité. Toujours porter une protection oculaire.** Utiliser dans les conditions appropriées, un masque antipoussière, des chaussures de sécurité antidérapantes, un casque ou une protection auditive.

#### **UTILISATION ET ENTRETIEN DE L'OUTIL**

**Utiliser des pinces ou tout autre moyen pratique de fixer la pièce à un support stable.** Tenir la pièce à la main ou contre le corps est une position instable et peut causer une perte de contrôle.

**Ne pas forcer sur l'outil. Utiliser l'outil adapté au travail à effectuer.** L'outil adapté assure un travail plus correct et plus sûr, au régime pour lequel il a été conçu.

**Ne pas utiliser l'outil si l'interrupteur ne le met pas en marche et à l'arrêt.** Tout outil qui ne peut pas être commandé au moyen de l'interrupteur est dangereux et doit être réparé.

**Débrancher la fiche de la source de courant avant d'effectuer des ajustements, de changer des accessoires ou de ranger l'outil.** Ces mesures préventives réduisent le risque de démarrage accidentel de l'outil.

**Ranger les outils inutilisés hors de la portée des enfants et des personnes inexpérimentées.** Les outils sont dangereux dans les mains d'utilisateurs inexpérimentés.

**Entretenir les outils avec attention. Garder les outils de coupe propres et affûtés.** Les outils bien entretenus et aux arêtes tranchantes sont moins susceptibles de se bloquer et sont plus faciles à maîtriser.

**Vérifier que l'outil ne présente pas de pièces tournantes grippées ou désaxées, de pièces cassées ou d'autres problèmes susceptibles d'entraver son bon fonctionnement. En cas d'endommagement, faire réparer l'outil avant de l'utiliser.** De nombreux accidents sont causés par des outils mal entretenus.

**N'utiliser que les accessoires qui sont recommandés par le fabricant pour le modèle utilisé.** Les accessoires qui peuvent convenir à un outil peuvent être dangereux lorsqu'ils sont utilisés sur un autre outil.

#### **ENTRETIEN**

**La réparation de l'outil doit être effectuée uniquement par un technicien qualifié.** Toute réparation ou toute opération d'entretien effectuée par du personnel non qualifié peut entraîner des blessures.

**Lors de la réparation d'un outil, utiliser uniquement des pièces de rechange identiques. Suivre les instructions de la section « Entretien » de ce manuel.** L'utilisation de pièces non autorisées ou le non-respect des instructions d'entretien peut entraîner un risque de choc électrique ou de blessure.

## RÈGLES DE SÉCURITÉ PARTICULIÈRES ET SYMBOLES



### SYMBOLE D'AVERTISSEMENT

Ce symbole met en garde contre les risques et les manipulations dangereuses pouvant entraîner des blessures ou des dégâts matériels. Les mots indicateurs ci-dessous définissent la gravité du danger, et sont suivis d'informations permettant de prévenir ou d'éviter le danger.

#### ⚠ DANGER

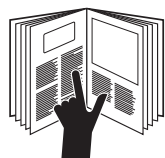
Danger immédiat qui, s'il n'est pas évité, ENTRAÎNERA des blessures graves, voire mortelles.

#### ⚠ AVERTISSEMENT

Danger qui, s'il n'est pas évité, POURRAIT entraîner des blessures graves, voire mortelles.

#### ⚠ ATTENTION

Dangers ou manipulations dangereuses qui, s'ils ne sont pas évités, POURRAIENT ÉVENTUELLEMENT entraîner des blessures graves, voire mortelles.



#### ⚠ DANGER

Lire et comprendre toutes les instructions et les informations sur la sécurité figurant dans ce manuel avant d'utiliser ou de procéder à l'entretien de cet outil.

Le non-respect de cette mise en garde entraînerait des blessures graves ou la mort.

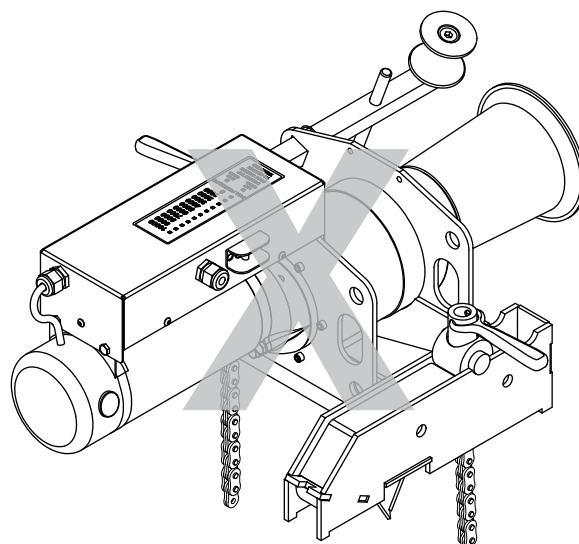


#### ⚠ DANGER

Ne pas utiliser le treuil de tirage dans un environnement dangereux. Ces dangers comprennent notamment les liquides et gaz inflammables.

Le non-respect de cette mise en garde entraînerait des blessures graves ou la mort.

#### ⚠ DANGER



**Ne pas monter le treuil comme sur l'illustration ci-dessus.**

L'intérieur du cabestan doit être centré au-dessus du conduit.

Le bâti à chaînes peut se séparer du support et provoquer des blessures graves ou la mort.



#### ⚠ AVERTISSEMENT


Danger de choc électrique :


Débrancher le treuil de tirage de son alimentation électrique avant toute opération d'entretien.

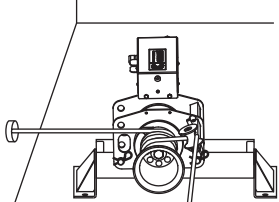
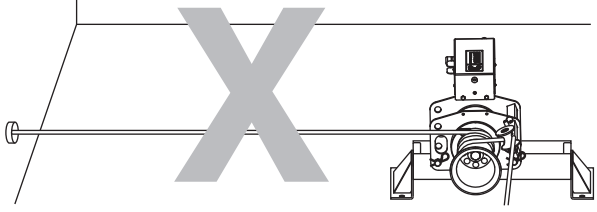
Le non-respect de cette mise en garde peut entraîner des blessures graves ou la mort.

## RÈGLES DE SÉCURITÉ PARTICULIÈRES ET SYMBOLES

	<b>⚠️ AVERTISSEMENT</b>
	<p>Contrôler et confirmer la capacité de charge maximale ou la résistance maximale de tous les supports structurels, des éléments du système de tirage et des systèmes d'ancrage avant de monter le treuil. Tout élément qui n'est pas conçu pour résister aux forces de tirage maximales peut se rompre et heurter les personnes présentes avec suffisamment de violence pour provoquer des blessures graves ou la mort.</p>

	<b>⚠️ AVERTISSEMENT</b>
	<p>Ne rien laisser venir au contact du cabestan autre que la corde de tirage. Un serre-câble, un émerillon ou toute autre pièce peut se casser et heurter les personnes présentes avec violence.</p> <p>Le non-respect de cette mise en garde peut entraîner des blessures graves ou la mort.</p>

	<b>⚠️ AVERTISSEMENT</b>
	<p>Ne pas se tenir directement sous un tirage vertical. Le câble peut chuter soudainement du conduit.</p> <p>Le non-respect de cette mise en garde peut entraîner des blessures graves ou la mort.</p>

<b>⚠️ AVERTISSEMENT</b>
<p>Placer le treuil à proximité du conduit. La corde, le câble et les connecteurs peuvent se rompre sous la tension, ce qui provoquerait un fouettement violent de la corde.</p> <p>Le non-respect de cette mise en garde peut entraîner des blessures graves ou la mort.</p>



<b>⚠️ AVERTISSEMENT</b>
<p>Toute corde sous-dimensionnée ou usée peut se rompre et fouetter violemment. Utiliser une corde composite double tresse présentant les caractéristiques minimales suivantes :</p> <p>Résistance moyenne à la rupture : au moins 143 kN (32 000 lb)</p> <p>Le non-respect de cette mise en garde peut entraîner des blessures graves ou la mort.</p>

<b>⚠️ AVERTISSEMENT</b>
<ul style="list-style-type: none"> <li>• Contrôler l'état de la corde sur toute sa longueur avant de l'utiliser. Une corde usée ou endommagée peut se rompre sous la tension et fouetter violemment.</li> <li>• Ne pas maintenir une corde immobile sur un cabestan en rotation. L'usure engendrée peut provoquer une rupture et un fouettement violent de la corde sous la tension.</li> </ul> <p>Le non-respect de ces mises en garde peut entraîner des blessures graves ou la mort.</p>

## RÈGLES DE SÉCURITÉ PARTICULIÈRES ET SYMBOLES

### ⚠️ AVERTISSEMENT

Attacher la corde de tirage au câble à l'aide de connecteurs de type approprié conformément aux indications de ce manuel. Sélectionner des connecteurs d'une capacité maximale nominale de 44,5 kN (10 000 lb). Un connecteur sous-dimensionné peut se rompre sous la tension.

Le non-respect de cette mise en garde peut entraîner des blessures graves ou la mort.

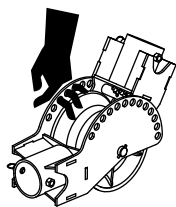
### ⚠️ AVERTISSEMENT

La corde, le câble et un connecteur peuvent se rompre sous la tension, ce qui provoquerait un fouettement violent de la corde.

- Ne permettre à aucune personne non indispensable de rester au voisinage du tirage.
- Ne permettre à personne de se tenir dans l'alignement de la corde de tirage.

Le non-respect de ces mises en garde peut entraîner des blessures graves ou la mort.

### ⚠️ AVERTISSEMENT



Point de cisaillement :

Ne pas placer les doigts à travers les trous du coude de flèche. Les pièces tournantes peuvent sectionner les doigts.

Le non-respect de cette mise en garde peut entraîner des blessures graves ou la mort.

### ⚠️ AVERTISSEMENT

Ne pas laisser la corde se chevaucher sur le cabestan. Si un chevauchement commence à se produire, relâcher immédiatement la force de ravalement et arrêter le treuil de tirage.

Le non-respect de cette mise en garde peut entraîner des blessures graves ou la mort.

### ⚠️ AVERTISSEMENT



Garder les mains à l'écart du cabestan. La corde sur le cabestan peut écraser une main.

Le non-respect de cette mise en garde peut entraîner des blessures graves ou la mort.

### ⚠️ AVERTISSEMENT

Utiliser cet outil exclusivement aux fins prévues par le fabricant. Ne pas utiliser le treuil de tirage en tant que palan de levage ou que treuil universel.

- Le treuil de tirage ne peut pas abaisser une charge.
- Cette charge pourrait chuter.

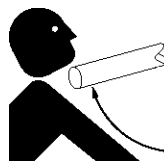
Le non-respect de cette mise en garde peut entraîner des blessures graves ou la mort.

### ⚠️ AVERTISSEMENT



Ne pas enrouler la corde autour des mains, des bras, de la taille ou d'autres parties du corps. Ne pas se tenir sur des spires dévidées ou sur la corde ravalée. Tenir la corde de manière qu'elle puisse être libérée rapidement.

### ⚠️ AVERTISSEMENT



Toujours bloquer les éléments de flèche durant le montage ou le démontage. La pose ou la dépose de pièces peut provoquer leur rotation. Les pièces peuvent alors heurter les personnes présentes.

Le non-respect de cette mise en garde peut entraîner des blessures graves ou la mort.

## RÈGLES DE SÉCURITÉ PARTICULIÈRES ET SYMBOLES

### ⚠️ AVERTISSEMENT

Contrôler le treuil et ses accessoires avant utilisation. Remplacer tous les éléments usés ou manquants par des pièces de rechange Greenlee. Un élément endommagé ou mal assemblé peut se rompre et heurter les personnes présentes avec suffisamment de violence pour provoquer des blessures graves ou la mort.

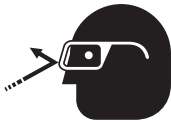
### ⚠️ AVERTISSEMENT

Danger d'enchevêtrement :

- Ne pas porter des vêtements amples lors de l'utilisation du treuil de tirage.
- Attacher les cheveux longs.

Le non-respect de cette mise en garde peut entraîner des blessures graves ou la mort.

### ⚠️ AVERTISSEMENT

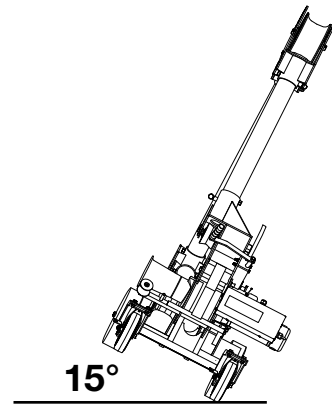


Porter une protection oculaire durant l'utilisation de cet outil. L'absence de protection oculaire peut entraîner des lésions oculaires graves en cas de projection de débris.

### ⚠️ AVERTISSEMENT

Si un chariot à roues est utilisé pour transport l'UT10 :

- S'assurer qu'il n'y a personne sur le trajet.
- Évaluer le terrain sur lequel le chariot doit passer. En cas de doute, obtenir une assistance supplémentaire et déplacer lentement le chariot.
- Ne pas transporter le treuil sur des dévers de plus de 15°.
- Ne pas transporter le chariot avec des tubes de flèche plus longs que les tubes de 3 et 4 pieds (0,9 et 1,2 m) fournis.



*Remarque : Conserver toutes les décalcomanies dans un état propre et lisible et les remplacer au besoin.*

## Instructions de mise à la terre

### ⚠️ AVERTISSEMENT



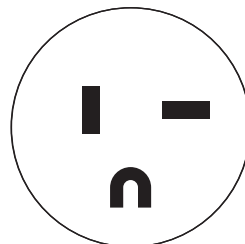
Danger de choc électrique :

Brancher cet outil sur une prise raccordée à la terre alimentée par un circuit de 20 A protégé par disjoncteur différentiel (GFCI).

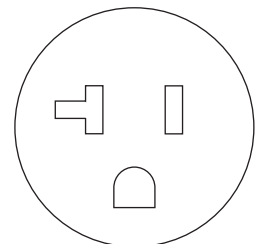
Le non-respect de cette mise en garde peut entraîner des blessures graves ou la mort.

Le cordon électrique de cet outil comporte un conducteur de terre et une fiche avec terre, comme sur l'illustration. Ne pas modifier la fiche. Brancher la fiche sur une prise qui a été correctement installée et mise à la terre en conformité avec toute la réglementation en vigueur. Ne pas utiliser d'adaptateur.

**Fiche et prise avec terre de 20 A / 115 V**

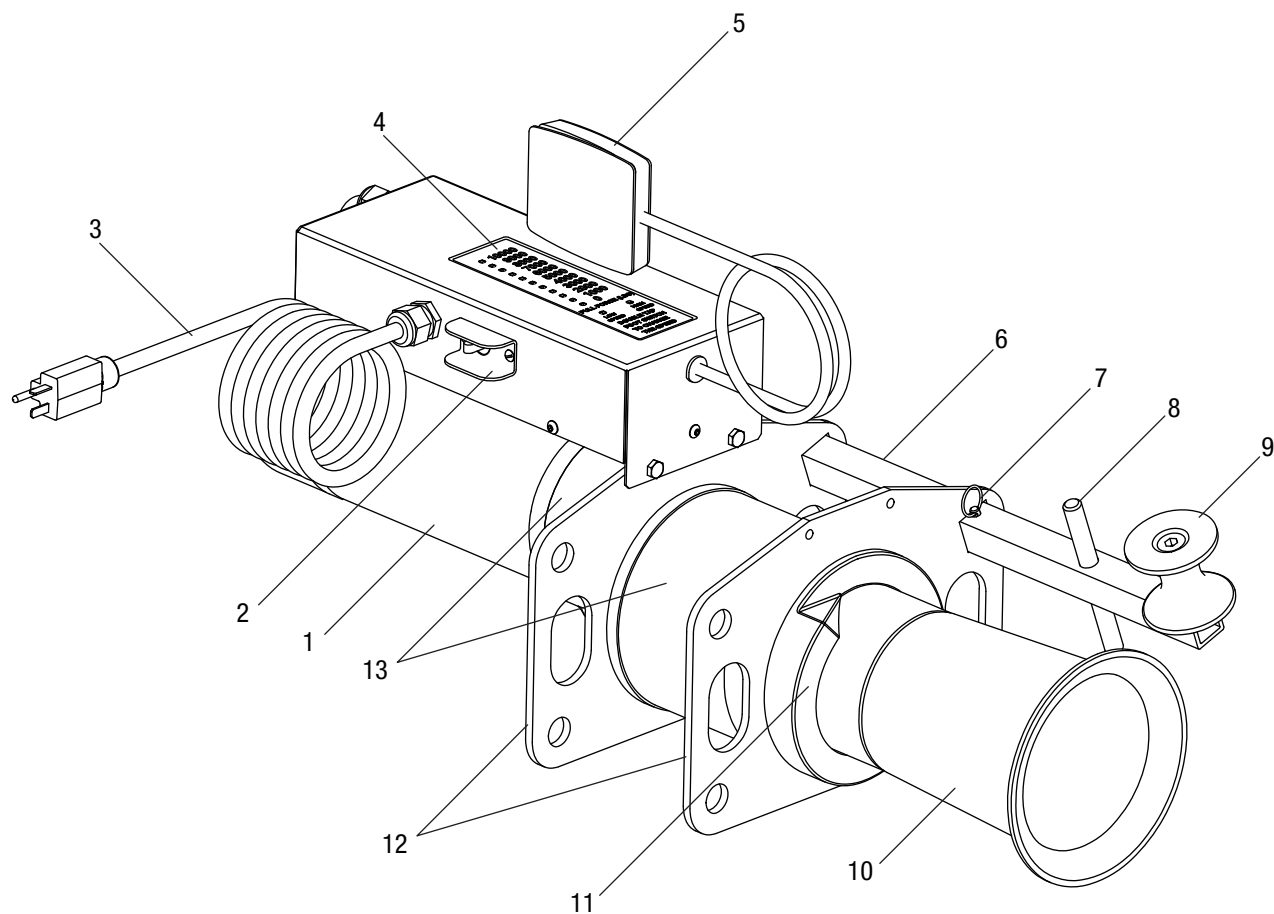


Fiche



Prise

Cet outil doit être relié à la terre. En cas de mauvais fonctionnement ou de panne, la mise à la terre offre un circuit de moindre résistance au courant électrique. Ce circuit de moindre résistance a pour objet de réduire le risque de choc électrique pour l'opérateur.

**DESCRIPTION FONCTIONNELLE****Identification****Treuil de tirage UT10**

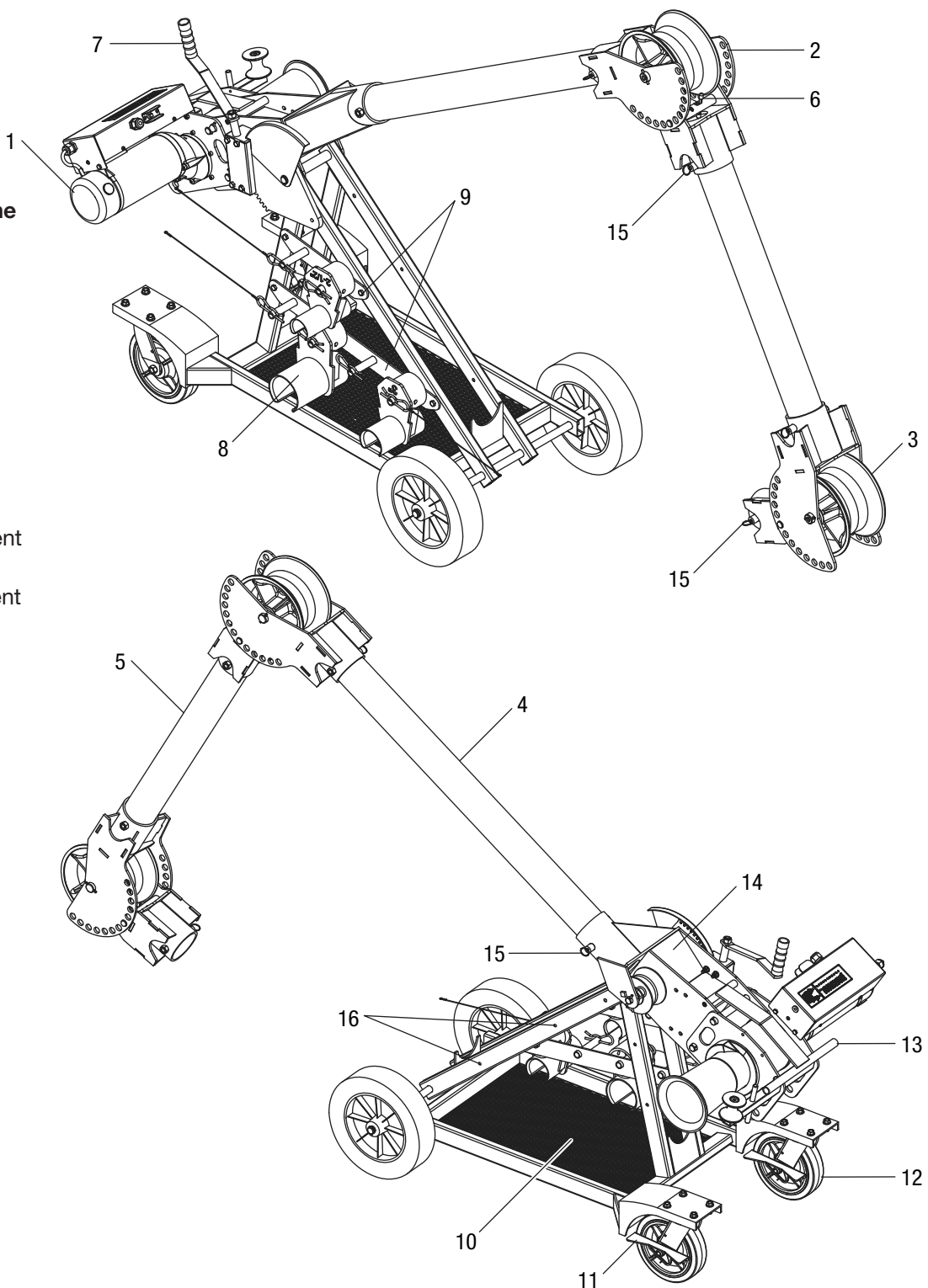
- |                              |                               |
|------------------------------|-------------------------------|
| 1. Moteur                    | 8. Barre d'attache de corde   |
| 2. Interrupteur/disjoncteur  | 9. Galet de renvoi            |
| 3. Cordon électrique         | 10. Cabestan conique en acier |
| 4. Dynamomètre               | 11. Rampe pour corde          |
| 5. Interrupteur à pédale     | 12. Plaques de fixation       |
| 6. Support de galet réglable | 13. Boîte d'engrenages        |
| 7. Goupille                  |                               |



**Identification (suite)**

**Chariot mobile et flèche**

- 1. Treuil de tirage
- 2. Coude
- 3. Tête
- 4. Flèche arrière
- 5. Flèche avant
- 6. Cheville d'arrêt
- 7. Manivelle
- 8. Accouplements de conduit
- 9. Râtelier de rangement d'accouplements
- 10. Plateau de rangement
- 11. Frein
- 12. Roulette pivotante
- 13. Guidon de déplacement
- 14. Bâti de flèche
- 15. Cheville d'arrêt à bague
- 16. Emplacement de râteliers pour accouplements supplémentaires



## Caractéristiques techniques

Poids..... 38 kg (84 lb)

### Dimensions

Longueur ..... 29 cm (11,5 po)

Largeur ..... 66 cm (26 po)

Hauteur..... 17 cm (6,75 po)

### Moteur

Tension ..... 120/230 V c.a., 50/60 Hz, monophasé

Appel de courant à pleine charge ..... 20 A (120 V), 12 A (230 V)

Niveau sonore ..... 75 dB à 1 mètre

Alimentation électrique ..... 120 V c.a., 60 Hz, 20 A, monophasée  
230 V c.a., 50 Hz, 12 A, monophasée

### Vitesse

#### LENT

#### RAPIDE

À vide ..... 2,74 m/min (9 pi/min) 4,88 m/min (16 pi/min)

8900 N (2000 lb)..... 2,44 m/min (8 pi/min) 4,27 m/min (14 pi/min)

17,8 kN (4000 lb)..... 2,29 m/min (7,5 pi/min) 3,66 m/min (12 pi/min)

26,7 kN (6000 lb)..... 2,13 m/min (7 pi/min) —

35,6 kN (8000 lb)..... 1,83 m/min (6 pi/min) —

### Force de tirage

0 kN à 28,9 kN (0 lb à 6500 lb)..... Fonctionnement continu

28,9 kN à 35,6 kN (6500 lb à 8000 lb)..... 5 min de marche / 5 min d'arrêt

35,6 kN à 44,5 kN (8000 lb à 10 000 lb)..... Marche par à-coups

### Corde de tirage

Corde requise..... Double tresse en polyester composite,  
7/8 po (22 mm) de diamètre

Résistance moyenne à la rupture..... 143 kN (32 000 lb) minimum

## Glossaire du tirage de câble

### **système d'ancrage**

tout élément ou ensemble d'éléments qui maintient un dispositif de tirage de câble en place durant le tirage

### **cabestan**

cylindre creux du treuil de tirage qui exerce la force de tirage sur la corde de tirage

### **coefficient de frottement**

rapport qui compare deux valeurs de force : (1) la force nécessaire pour déplacer un objet sur une surface (2) la force maintenant l'objet contre cette surface

Ce rapport sert à décrire comment le cabestan et la corde agissent l'un sur l'autre.

### **connecteur**

toute pièce telle qu'un serre-fil, une manille, un émerillon ou un tire-câble qui raccorde la corde au câble

### **ligne de tirage directe**

zones autour de la corde de tirage et le long de son trajet; cela comprend les zones devant, derrière et sous la corde

### **capacité maximale nominale**

intensité de la force de tirage à laquelle tout élément peut résister sans danger, exprimée en kilonewton (métrique) ou en livre; la capacité maximale nominale de chaque élément doit être égale ou supérieure à la force de tirage maximale du treuil de tirage

### **newton (N)**

unité de force du système métrique, équivalente à 0,225 livres de force

### **galet d'accouplement de conduit**

s'attache au conduit pour le tirage ou l'entrée de câble

### **tire-câble**

accessoire qui raccorde la corde au câble; constitué d'un manchon en maillage métallique qui s'enfile sur le câble et serre la gaine isolante

### **force de tirage**

intensité de la force de tirage développée par le treuil de tirage, exprimée en newton (métrique) ou en livre; un treuil de tirage est généralement caractérisé par la force de tirage maximale dont il est capable

### **force résultante**

toute force qui est produite lorsque deux forces ou plus agissent sur un objet; concerne les galets d'un système de tirage de câble

### **rampe pour corde**

dispositif associé à un cabestan conique; il guide la corde sur le cabestan pour éviter les chevauchements de corde

### **galet**

poulie qui modifie la direction de la corde et du câble

### **énergie emmagasinée**

énergie qui s'accumule dans la corde de tirage lorsqu'elle s'étire, exprimée en Newton-mètre (métrique) ou en pied-livre

### **structure de soutien**

tout objet fixe auquel un système de tirage de câble est ancré, tel qu'une dalle en béton (pour la pose au sol) ou une poutre métallique (pour un galet)

### **perception tactile**

impression laissée par la corde à sa sortie du cabestan; cette sensation fournit à l'opérateur des renseignements sur l'avancement du tirage

### **queue de corde**

partie de la corde sur laquelle l'opérateur exerce une force; c'est la corde sortant du cabestan et qui n'est pas soumise à la tension du tirage

### **ravaler la corde**

tâche principale de l'opérateur; elle consiste à exercer une force de traction sur la corde de tirage. Voir la description complète sous « Principes du tirage de câbles »

### **serre-câble**

accessoire qui raccorde la corde au câble; certains comportent une vis de calage qui se serre sur les conducteurs du câble

## Principes du tirage de câble

Tirer un câble est un processus complexe. Cette section du manuel décrit et explique quatre sujets principaux relatifs au tirage de câble :

- Différents éléments du système de tirage de câble
- Comment ces éléments fonctionnent les uns avec les autres
- Forces qui sont produites
- Procédures à suivre par l'opérateur du treuil de tirage

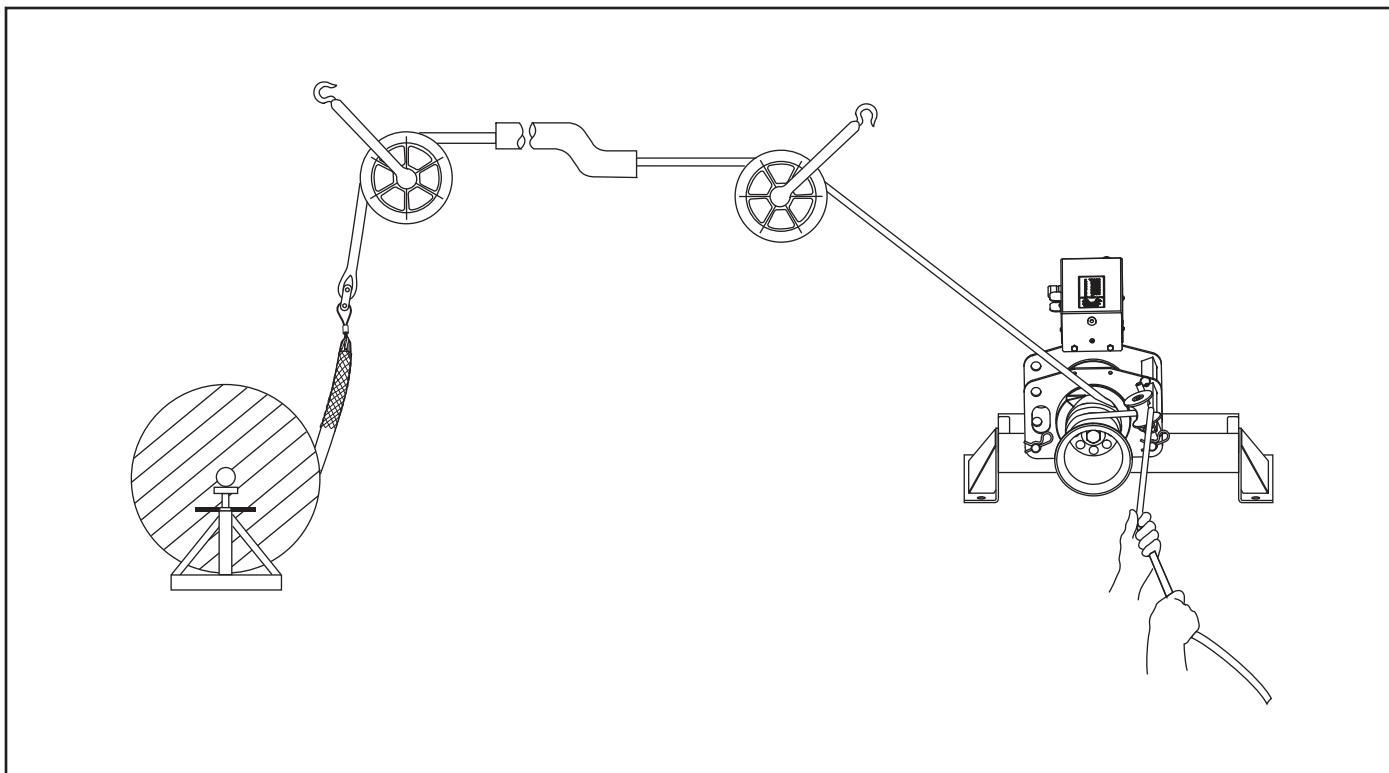
Durant la lecture de cette section du manuel, voir les éléments en grisé dans les illustrations. Le grisé identifie les éléments mentionnés dans le texte correspondant.

Il est fortement conseillé que chaque membre de l'équipe de tirage de câble ait lu cette section du manuel avant chaque tirage de câble.

## Systèmes de tirage de câble

Le tirage de câble nécessite un système constitué de différents éléments. Au minimum, un système de tirage de câble comporte un treuil de tirage, une corde de tirage et des connecteurs pour attacher la corde au câble. La majorité des systèmes inclut également, mais sans s'y limiter, un système d'ancrage du treuil de tirage, des galets de tirage et des systèmes d'ancrage des galets.

Le treuil de tirage est caractérisé par sa *force de tirage* maximale, qui est l'intensité de la force de traction qu'il est capable de développer. Chacun des autres éléments du système de tirage présente une capacité *maximale nominale*, qui est l'intensité de force de tirage à laquelle il est capable de résister. La capacité maximale nominale de chacun des éléments doit être égale ou supérieure à la force de tirage maximale du treuil de tirage.



**Système de tirage de câble typique**

## Principes du tirage de câble (suite)

### Théorie du tirage

Cette section présente les notions principales associées au tirage de câble.

### Résistance de tirage

Le treuil de tirage doit surmonter deux types de résistance : la pesanteur et le frottement.

La pesanteur est une force qui s'exerce de façon constante sur les parties verticales du parcours. Lorsque la force de tirage est relâchée, la pesanteur a tendance à tirer le câble vers le bas. Le frottement se produit aux points de contact du câble avec les galets, le conduit et le chemin de câbles. Le frottement s'oppose à tout mouvement, vers l'avant comme vers l'arrière, et a tendance à tenir les câbles en place.

Pour réaliser un tirage, le système de tirage de câble doit développer une force supérieure à la pesanteur et au frottement combinés.

### Produire la force de tirage

Pour produire la force de tirage, le cabestan joue le rôle de *multiplicateur de force*. L'opérateur exerce une force de faible intensité sur la corde. Le treuil de tirage amplifie cet effort pour produire la force de tirage.

La force de tirage est appliquée à la corde, aux connecteurs et au câble pour réaliser le tirage. La direction de la force est modifiée, à chaque emplacement nécessaire, au moyen de galets de renvoi.

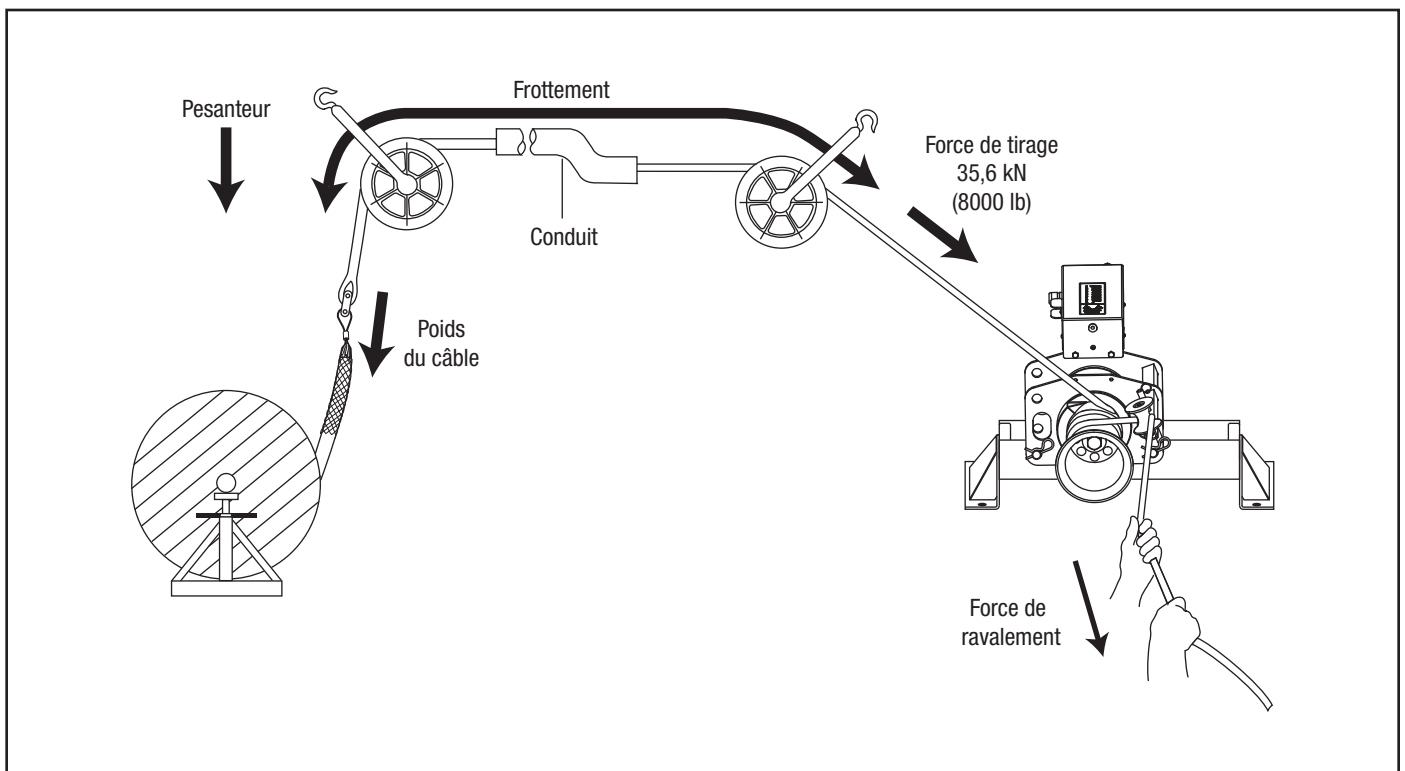


Illustration de la théorie du tirage de câble

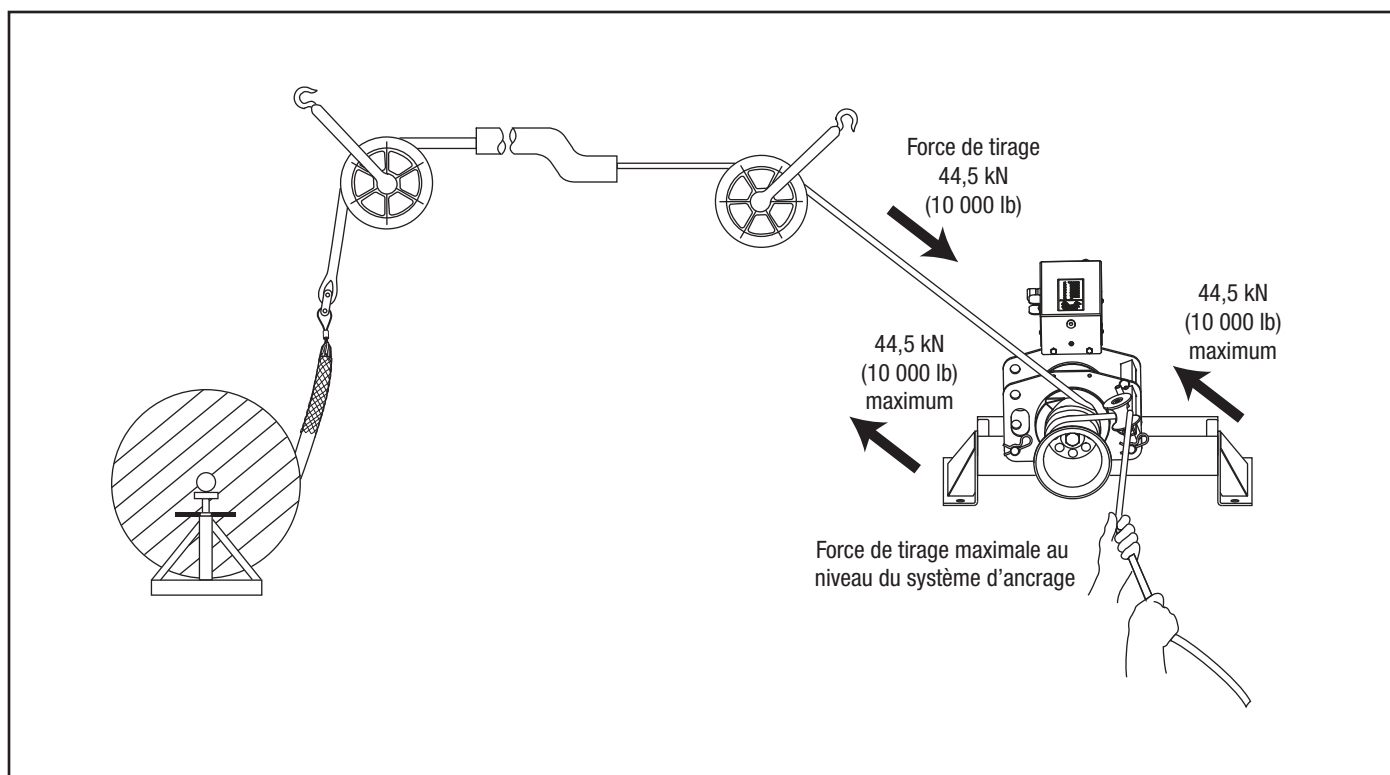
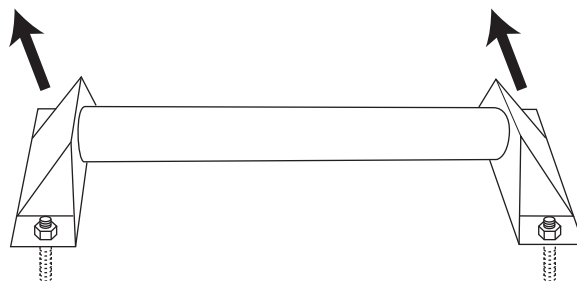
## Principes du tirage de câble (suite)

### Forces de tirage de câble

Cette section fournit des explications et illustrations détaillées sur les forces qui sont produites durant le tirage de câble. Ces explications s'appuient sur les concepts présentés dans la section précédente, « Théorie du tirage ».

### Au niveau du système d'ancrage du treuil de tirage

Le treuil de tirage exerce sa force de tirage maximale sur son système d'ancrage. Il est extrêmement important que le système d'ancrage soit capable de résister à une force de cette intensité. Voir les instructions de pose ou de mise en œuvre dans le manuel fourni avec le système d'ancrage.



**Force de tirage au niveau du système d'ancrage du treuil de tirage**

## Principes du tirage de câble (suite)

### Forces de tirage de câble (suite)

#### Au niveau du cabestan

Le cabestan fait office de *multiplicateur de force*. L'opérateur exerce une légère tension, ou force de ravalement, sur la corde; le cabestan multiplie cette force pour tirer le câble. La force résultante dépend du nombre de tours d'enroulement de la corde autour du cabestan, suivant la formule ci-dessous.

$$\text{Force de tirage} = \text{Force de ravalement} \times e^{0,0175\mu\phi}$$

Où :

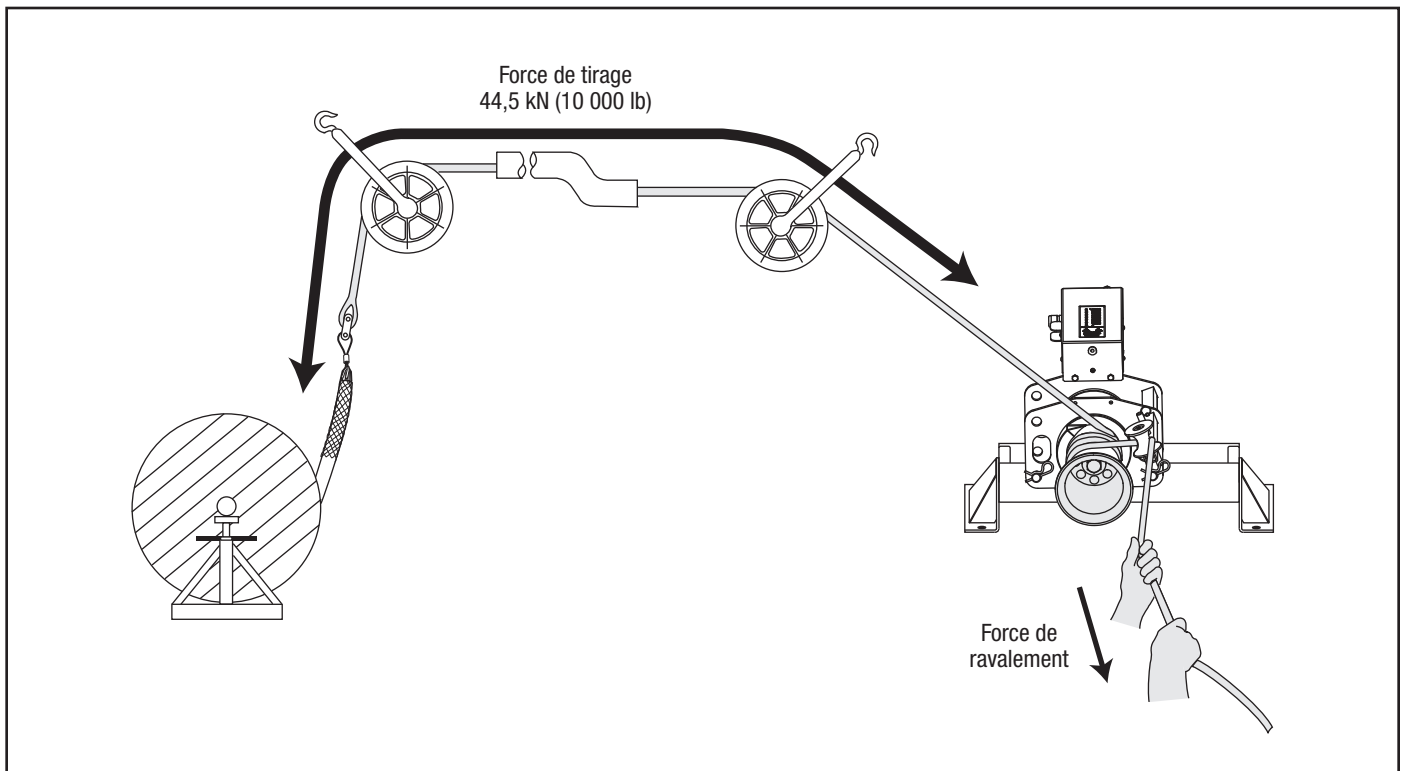
- e = la base du logarithme népérien, soit 2,7183
- $\mu$  = le coefficient de frottement entre la corde et le cabestan\*
- $\phi$  = le nombre de degrés d'enroulement de la corde autour du cabestan

\* La valeur moyenne du coefficient de frottement d'une corde à double tresse en composite tirée sur un cabestan propre et sec est de 0,125.

La table qui suit est basée sur la formule ci-dessus. L'entrée, c.-à-d. la force de ravalement, a une intensité constante de 44,5 N (10 lb). La force de tirage augmente avec le nombre de tours de corde.

Force de ravalement par l'opérateur	Nombre de tours de corde	Force de tirage approximative
44,5 N (10 lb)	1	93,4 N (21 lb)
	2	213,5 N (48 lb)
	3	474,9 N (106 lb)
	4	1043,8 N (233 lb)
	5	2293,7 N (512 lb)
	6	5048,9 N (1127 lb)
	7	11,1 kN (2478 lb)

Cette table rend compte de l'effet multiplicateur du cabestan sur la force exercée. Comme le coefficient de frottement dépend de l'état de la corde et du cabestan, cette formule ne permet pas de déterminer l'intensité exacte de la force de tirage.



**L'effet multiplicateur de force du cabestan**

## Principes du tirage de câble (suite)

### Forces de tirage de câble (suite)

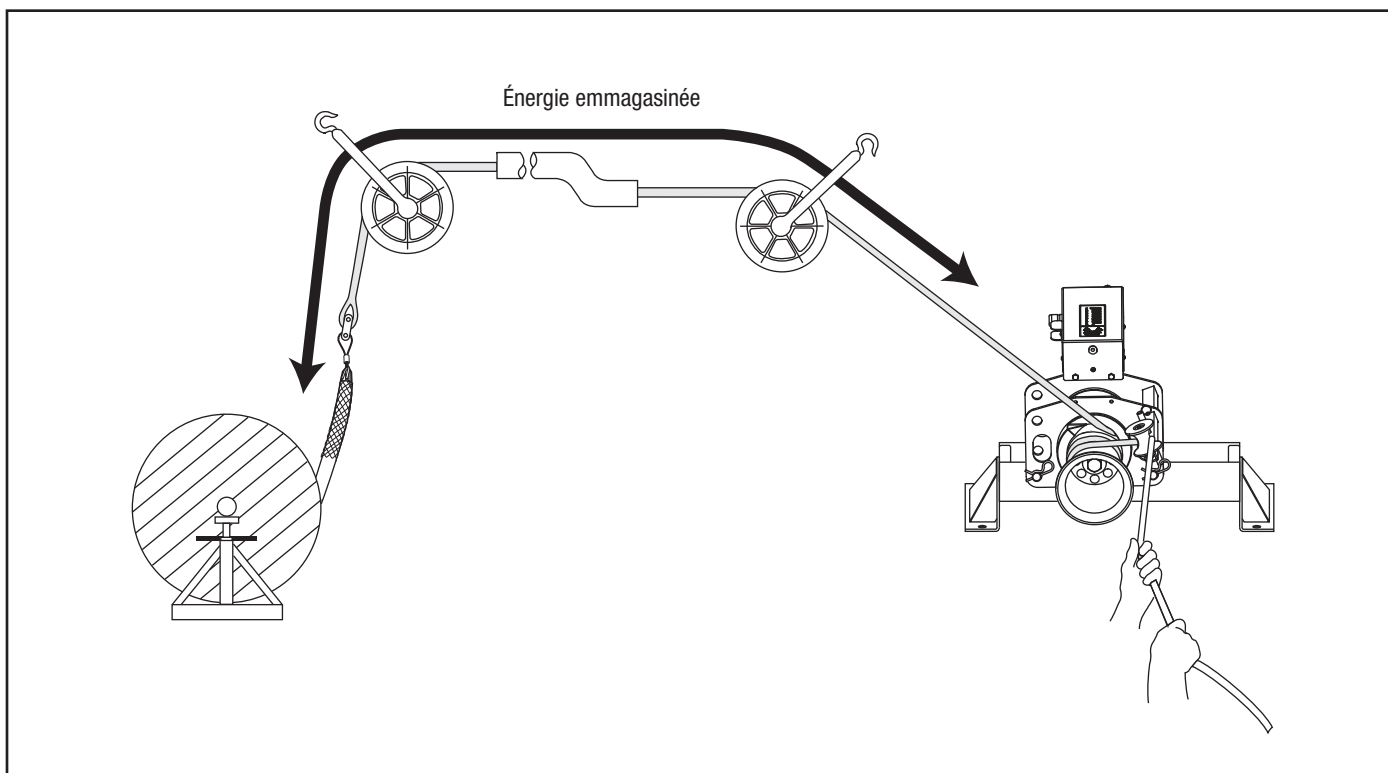
#### Au niveau de la corde de tirage

Le produit d'une force ( $f$ ) sur une distance ( $d$ ) est une énergie ( $f \times d$ ), qui peut être exprimée en newton-mètre (Nm) ou pied-livre (pi.lb). De l'énergie est emmagasinée dans la corde lorsqu'elle est étirée. Cela est semblable à la manière dont l'énergie est emmagasinée dans un élastique lorsqu'il est étiré. Une défaillance de la corde ou de tout autre élément du système de tirage peut provoquer une libération soudaine et incontrôlée de l'énergie emmagasinée dans la corde.

Par exemple, une corde en nylon de 100 mètres d'une résistance à la rupture moyenne de 50 000 newtons peut s'allonger de 40 mètres et emmagasiner 1 000 000 joules d'énergie. C'est une énergie suffisante pour projeter un objet de 900 kg, tel qu'une petite voiture, sur une hauteur de 113 mètres.

Une corde composite double tresse semblable peut emmagasiner en énergie de 300 000 joules environ. Cela permettrait de projeter le même objet sur une hauteur de 34 mètres seulement. La corde à double tresse en composite emmagasine beaucoup moins d'énergie et présente un risque de blessure moindre en cas de rupture.

La corde à double tresse en composite est le seul type de corde préconisé pour le treuil de tirage UT10. Sélectionner une corde composite double tresse d'une résistance nominale moyenne à la rupture d'au moins 143 kN (32 000 lb).



**Énergie emmagasinée**



## Principes du tirage de câble (suite)

### Forces de tirage de câble (suite)

#### Au niveau des connecteurs

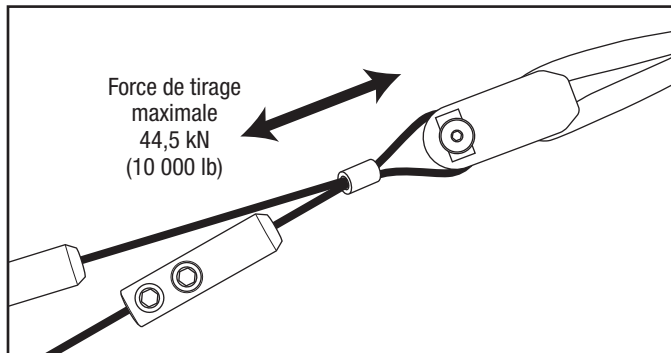
Les connecteurs sont soumis à la force de tirage maximale du treuil de tirage.

Il existe plusieurs types de connecteurs de corde : manilles, émerillons et connecteurs corde-émerillon. Suivre les instructions fournies avec chacun d'eux pour réaliser un bon raccordement.

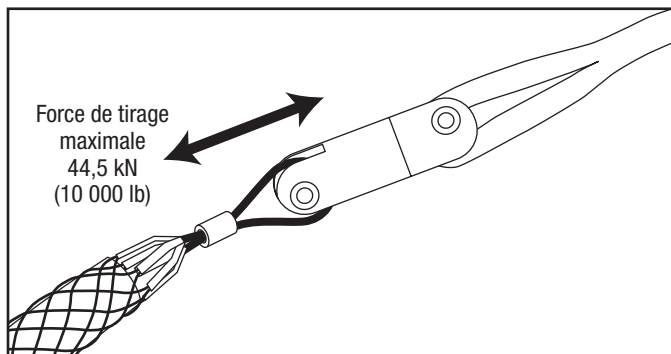
Il existe deux types de connecteurs de câble : le serre-câble et le tire-câble. Le serre-câble comporte une vis de calage qui se serre sur les conducteurs du câble. Le tire-câble est constitué d'un manchon en maillage métallique qui s'enfile sur le câble et serre la gaine isolante.

Lors du choix d'un tire-câble, il est extrêmement important de sélectionner un modèle (1) de type, (2) de taille et (3) de capacité maximale nominale corrects.

1. Sélectionner le type sur la base des descriptions figurant dans le catalogue Greenlee.
2. Mesurer la circonférence du faisceau de fils (pour obtenir une valeur exacte, serrer un serre-fil en plastique autour du faisceau, couper et éliminer l'extrémité puis couper le serre-fil et mesurer sa longueur). Utiliser la table fournie ci-dessous pour déterminer la taille de tire-câble correcte.
3. Voir les capacités maximales nominales dans le catalogue Greenlee.



**Raccordement typique — Manille et serre-câble**



**Raccordement typique — Émerillon et tire-câble**

**Table des tailles de tire-câble**

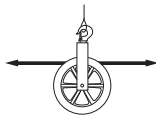
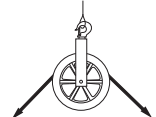
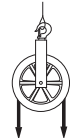
Circonférence		Diamètre de tire-câble requis	
pouces	mm	pouces	mm
1,57–1,95	39,9–49,5	0,50–0,61	12,7–15,5
1,95–2,36	49,5–59,9	0,62–0,74	15,8–18,8
2,36–3,14	59,9–79,8	0,75–0,99	19,1–25,1
3,14–3,93	79,8–99,8	1,00–1,24	25,4–31,5
3,93–4,71	99,8–119,6	1,25–1,49	31,8–37,8
4,71–5,50	119,6–139,7	1,50–1,74	38,1–44,2
5,50–6,28	139,7–159,5	1,75–1,99	44,5–50,5
6,28–7,85	159,5–199,4	2,00–2,49	50,8–63,2
7,85–9,42	199,4–239,3	2,50–2,99	63,5–75,9
9,42–11,00	239,3–279,4	3,00–3,49	76,2–88,6
11,00–12,57	279,4–319,3	3,50–3,99	88,9–101,3
12,57–14,14	319,3–359,2	4,00–4,49	101,6–114,0
14,14–15,71	359,2–399,0	4,50–4,99	114,3–126,7

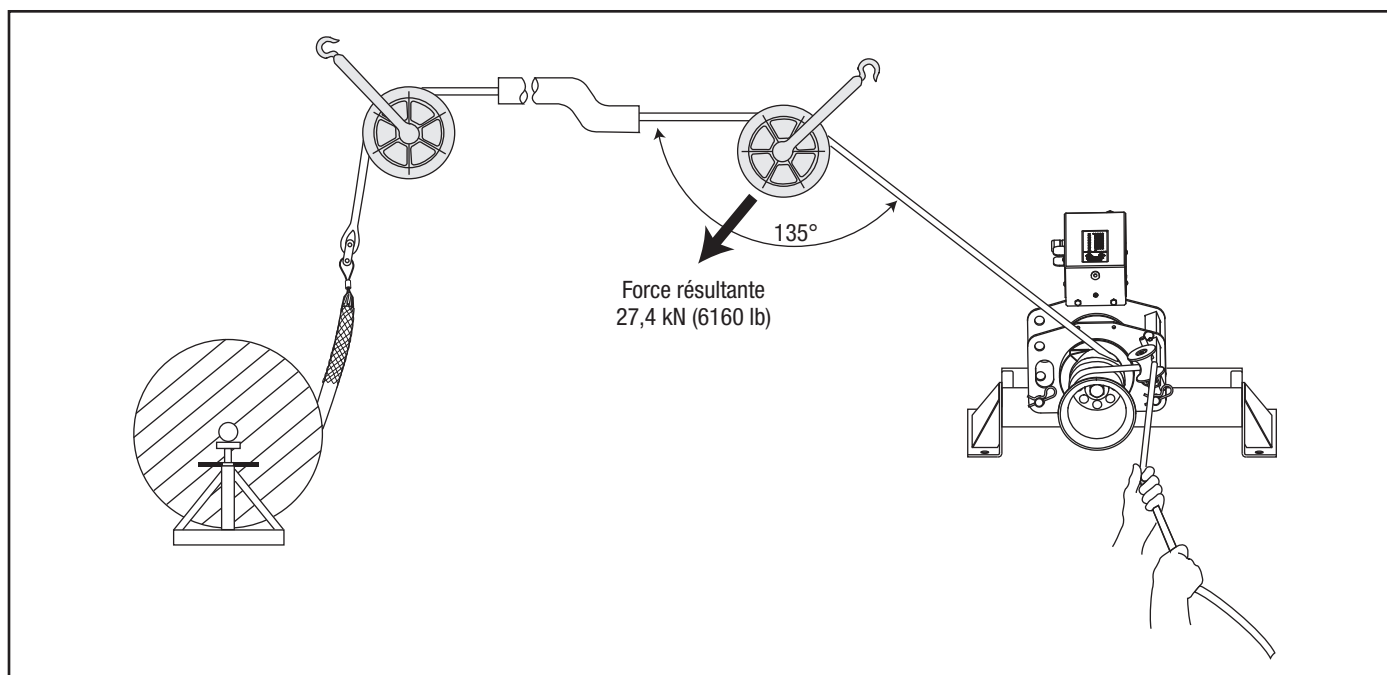
**Principes du tirage de câble (suite)**
**Forces de tirage de câble (suite)**
**Au niveau des galets**

Les galets servent à modifier la direction du tirage. Un changement de direction produit une nouvelle *force résultante* qui peut être supérieure à la force de tirage maximale du treuil de tirage. Cette nouvelle *force résultante* s'exerce sur les galets, sur le système d'ancrage des galets et sur les structures de support, comme sur l'illustration.

L'intensité de la force résultante dépend de l'angle de renvoi de la corde. Une table récapitulative est fournie ci-contre; pour plus de détails sur le calcul de la force résultante en fonction d'un angle quelconque, voir le manuel IM 1363 (99929988).

**Table des forces résultantes  
(force de tirage de 35,6 kN ou 8000 lb)**

Illustration	Angle de renvoi de la corde	Force résultante en kN (lb)
	180°	0 (0)
	150°	18,5 (4160)
	135°	27,4 (6160)
	120°	35,6 (8000)
	90°	50,2 (11 300)
	60°	61,6 (13 800)
	45°	65,8 (14 800)
	30°	68,7 (15 400)
	0°	71,2 (16 000)


**Force résultante typique sur le galet**

## Principes du tirage de câble (suite)

### Ravaler la corde

La corde doit être tirée hors du cabestan à mesure de l'avancement du tirage. La portion qui est refoulée par le cabestan est la « queue de corde ». Le fait de tirer la corde hors du cabestan s'appelle *ravaler la corde*.

La résistance du câble varie tout au long de la durée du tirage de câble. Les variations de résistance sont liées aux caractéristiques de la corde, aux changements de direction du conduit et aux variations de la quantité de frottement. Ces informations peuvent être « ressenties » à travers la corde. Cela s'appelle la *perception tactile*. Veiller à ajuster la force de ravalement comme il se doit en fonction de ces variations.

### Maîtriser le tirage

Le fait de réduire la force de ravalement a pour effet de réduire la force de tirage, jusqu'à ce que la corde glisse sur le cabestan et que le tirage s'arrête. Cela offre un haut degré de contrôle sur le tirage de câble.

Ne pas laisser la corde glisser sur le cabestan plus de quelques instants. S'il s'avère nécessaire d'arrêter complètement un tirage, couper le treuil de tirage et maintenir suffisamment de force de ravalement sur la corde pour tenir le câble en place. Attacher la corde pour tenir la tenir en place.

### Intensité de la force de ravalement

Lorsque la corde et le câble sont sous tension, il est important d'exercer l'intensité de force qui convient sur la corde.

Une force de ravalement *trop faible* permet à la corde de glisser sur le cabestan. Cela produit un échauffement important et accélère l'usure de la corde, ce qui accroît son risque de rupture.

Une force de ravalement appropriée empêche la corde de glisser sur le cabestan et produit une force de tirage suffisante pour tirer la corde et le câble.

Une force de ravalement *trop importante* est toute traction sur la corde supérieure à ce qui est nécessaire pour l'empêcher de glisser sur le cabestan. Une force de ravalement excessive n'accroît ni la force ni la vitesse de tirage.

### Nombre de tours de corde sur le cabestan

Il convient de laisser un opérateur expérimenté choisir le nombre de fois dont la corde doit être enroulée sur le cabestan.

Un nombre de tours correct permet à l'opérateur de maîtriser l'avancement du tirage moyennant un effort raisonnable.

Un nombre *insuffisant* de tours suppose une force de ravalement importante pour réaliser le tirage. Avec un nombre insuffisant de tour, il est également plus probable que la corde glisse sur le cabestan. Cela produit un échauffement et accélère l'usure de la corde.

Un nombre *excessif* de tours produit un plus fort accrochage de la corde sur le cabestan. Cela accélère l'usure de la corde, fait consommer plus d'énergie et accroît le risque de chevauchement de la corde. Un nombre excessif de tours a aussi pour effet de réduire la perception tactile, ce qui fait que l'opérateur reçoit moins d'informations sur le tirage. Il n'est pas possible de relâcher rapidement la tension de ravalement lorsqu'il y a trop de tours de corde.

S'il devient difficile de ravaler la corde, l'enrouler d'un tour supplémentaire sur le cabestan. Mettre le treuil à l'arrêt et relâcher toute la tension dans la corde. Ajouter un tour et reprendre le tirage. Garder toutefois à l'esprit que certains tirages nécessitent une certaine tension pour maintenir les câbles en place. Si c'est le cas, ne pas tenter de relâcher toute la tension pour ajouter un tour de corde. Le nombre de tours doit être déterminé avant de démarrer le tirage.

### Empêcher le chevauchement de la corde

Ne pas laisser la corde se chevaucher sur le cabestan durant le tirage.

En cas de chevauchement de la corde, il n'est pas possible de poursuivre ni d'inverser le tirage.

Lors du chevauchement de la corde, l'opérateur perd le contrôle du tirage : la corde continue de s'enrouler sans tension de ravalement mais ne se dévide plus du cabestan. Le cabestan ne permet pas d'inverser le sens de la corde et il n'est donc pas possible de sortir d'un chevauchement.

Configurer le treuil de tirage comme il se doit. La rampe pour corde et le cabestan conique ont pour objet d'empêcher les chevauchements de la corde. Voir les instructions dans la section « Fonctionnement » de ce manuel.

Chaque spire d'enroulement de la corde doit rester au contact direct du cabestan. Durant le tirage, veiller tout particulièrement à empêcher la corde entrante de se superposer à la spire voisine. Si un chevauchement commence à se produire, relâcher immédiatement la tension de ravalement de la corde afin que la corde se dévide en sens inverse vers le conduit ou le chemin de câble. Une fois que la corde a repris sa position normale, appliquer la force de ravalement et poursuivre le tirage.

Il n'y a pas de solution préconisée en cas de chevauchement de la corde. **Ne pas laisser la corde se chevaucher!**

## Principes du tirage de câble (suite)

### Récapitulatif des principes du tirage de câble

- Un système de tirage de câble est constitué de nombreux éléments qui fonctionnent les uns avec les autres pour réaliser un tirage.
- Le treuil de tirage est caractérisé par sa force de tirage maximale; chacun des autres éléments est caractérisé par sa capacité maximale nominale. La capacité maximale nominale de chacun des éléments doit être égale ou supérieure à la force de tirage maximale du treuil de tirage.
- Le treuil de tirage doit surmonter deux types de résistance : la pesanteur et le frottement. Le cabestan du treuil, la corde de tirage et l'opérateur qui ravalent la corde travaillent de concert pour produire la force de tirage.
- Le treuil de tirage exerce une force sur chacun des éléments du système de tirage de câble, y compris sur les systèmes d'ancrage et sur les structures de support.
- La corde emmagasine de l'énergie lorsqu'elle s'étire sous l'effet de la charge. La défaillance de la corde ou de tout autre élément peut provoquer une libération soudaine d'énergie. Changer toute corde qui est usée ou endommagée.
- Choisir avec soin le nombre de tours de corde autour du cabestan avant de commencer le tirage.
- Contrôler le tirage en ravalant la corde. Veiller à se familiariser avec l'interaction de la corde et du cabestan.
- Ne pas laisser un chevauchement de corde se produire.

## Planifier le tirage

- Effectuer le tirage suivant une direction nécessitant la plus petite force de tirage possible.
- Prévoir plusieurs tirages courts plutôt que moins de tirages plus longs.
- Placer le treuil de tirage aussi près de l'extrémité du conduit que possible afin de minimiser la longueur exposée de corde sous tension.
- Placer chaque élément de manière à utiliser les forces de tirage efficacement.
- Choisir un système d'ancrage : galets d'accouplement, de préférence, ou fixation au sol.
- Vérifier que la capacité de charge nominale de chaque élément convient.
- Contrôler les structures de support. Vérifier qu'elles présentent toutes une résistance suffisante pour s'opposer aux forces maximales susceptibles d'être produites.

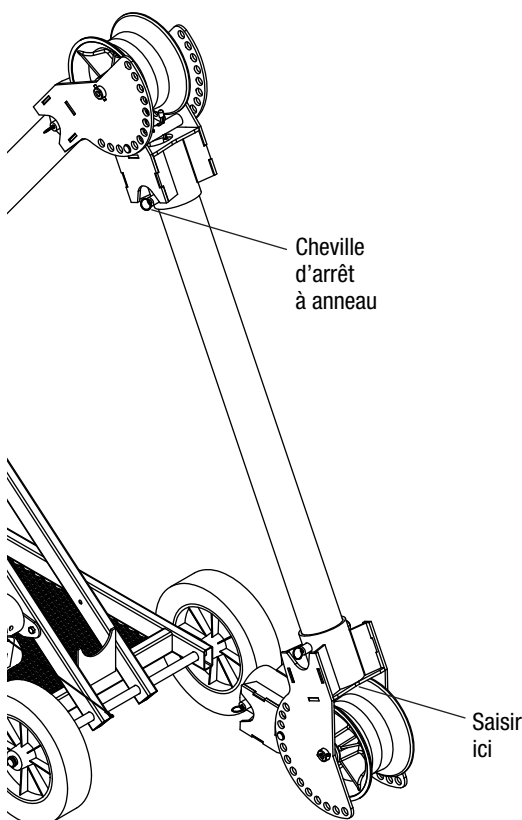
## MONTAGE

### Montage/démontage de la flèche

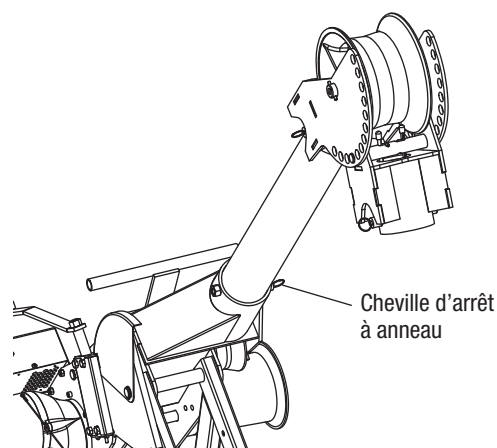
Dans des circonstances normales, il n'est pas nécessaire de démonter la flèche. Toutefois, elle peut être démontée pour la faire passer dans une camionnette, pour monter la tête de tirage à distance sur un support au sol, pour modifier la longueur de flèche, etc.

Pour démonter la flèche :

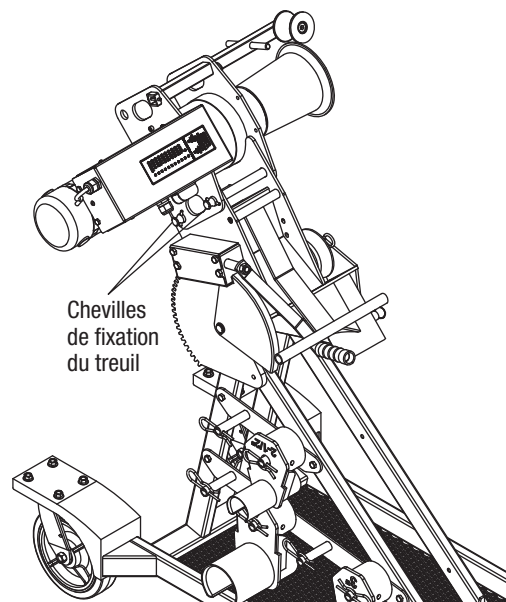
1. Bloquer les freins des roulettes pivotantes.
2. Faire pivoter le coude de manière à dégager la flèche avant soit du chariot.
3. Saisir la tête par l'orifice à l'extrémité du tube de flèche et la soulever pour libérer la contrainte sur les chevilles d'arrêt.



4. Tirer sur les anneaux de cheville qui bloquent le tube de flèche et tourner légèrement la tête de manière à désaligner le trou du tube de flèche et la cheville d'arrêt.



5. Relâcher l'anneau de cheville et tirer la tête et la flèche avant hors du coude.
6. Répéter l'opération pour déposer la flèche arrière et le coude. Relever ou abaisser préalablement la flèche comme il se doit pour la placer dans position de travail commode.
7. Tourner la manivelle dans le sens des aiguilles d'une montre pour relever la tête de treuil jusqu'au maximum.
8. Retirer les goupilles et extraire les chevilles de fixation de la tête de treuil.



9. Soulever la tête de treuil hors du bâti de flèche en faisant appel à autant de personnes que nécessaire pour soulever 45 kg (100 lb).

Mis à part le démontage de l'autre extrémité des deux tubes, cela constitue l'étendue du démontage possible. Remonter le système dans l'ordre inverse, en s'assurant que toutes les chevilles d'arrêt sont complètement engagées avant de relâcher une prise.

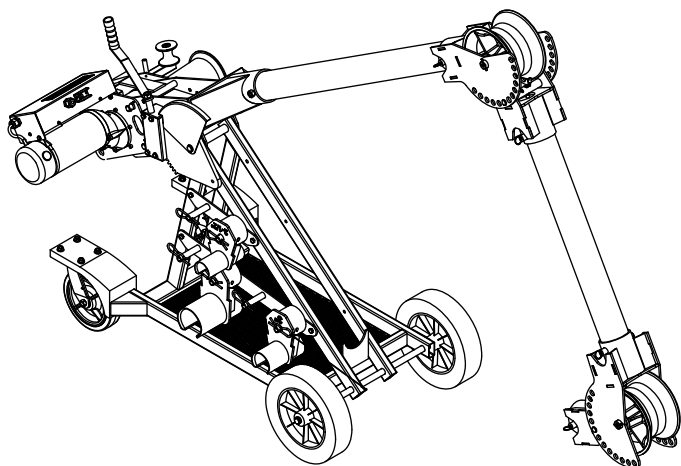
## Montage de la flèche

### Tirage vers le haut depuis la position « tipi »

1. Engager les freins.
2. Relever la flèche avant conformément aux instructions de la section « Fonctionnement de la flèche » jusqu'à être proche de l'angle souhaité pour le tirage

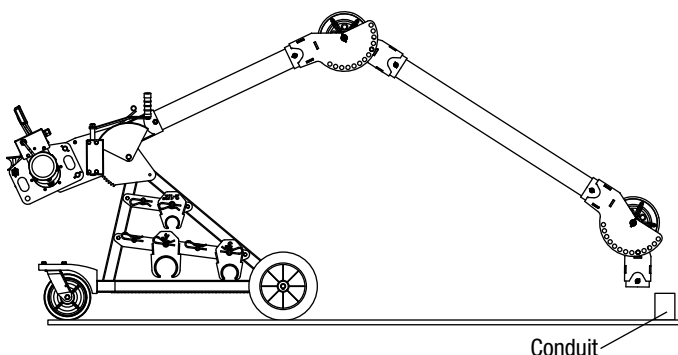
**ou**

- a. Bloquer les chevilles d'arrêt du coude en position rétractée.
- b. Abaisser la flèche (tourner la manivelle dans le sens des aiguilles d'une montre) pour amener la tête jusqu'au sol.
- c. Libérer les freins et continuer d'abaisser la flèche tout en faisant reculer le chariot jusqu'à ce que le coude soit à l'angle souhaité puis le verrouiller.



**Placer le coude à l'angle souhaité**

3. Relever ou abaisser la flèche de manière à placer la tête juste au-dessus du conduit d'où doit se faire le tirage.



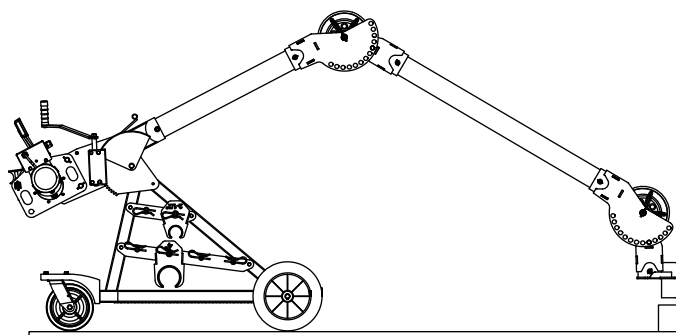
**Placer la tête plus haut que le conduit**

### Utilisation d'accouplements à insérer :

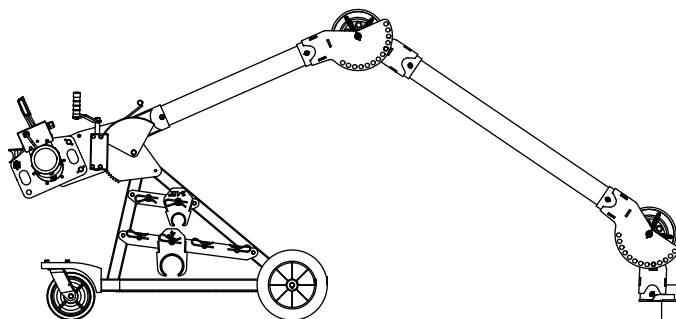
- a. Engager l'accouplement de conduit à insérer de taille appropriée dans la tête.
- b. Faire pivoter la tête de manière à aligner l'accouplement sur le conduit et la verrouiller dans cette position.
- c. Relever la flèche suffisamment pour placer le bas de l'accouplement plus haut que le conduit.
- d. Le cas échéant, libérer les freins.
- e. Avancer le chariot jusqu'à ce que l'accouplement soit au-dessus du conduit et l'abaisser dans le conduit.

### Utilisation d'accouplements à visser :

- a. Visser l'accouplement à visser correct à fond sur le conduit.
- b. Faire pivoter la tête de manière à l'aligner sur l'accouplement et la verrouiller dans cette position.
- c. Relever la flèche suffisamment pour placer le bas de la tête plus haut que l'accouplement.
- d. Le cas échéant, libérer les freins.
- e. Avancer le chariot jusqu'à ce que la tête soit au-dessus de l'accouplement, tirer sur l'anneau de cheville et abaisser la tête sur l'accouplement.



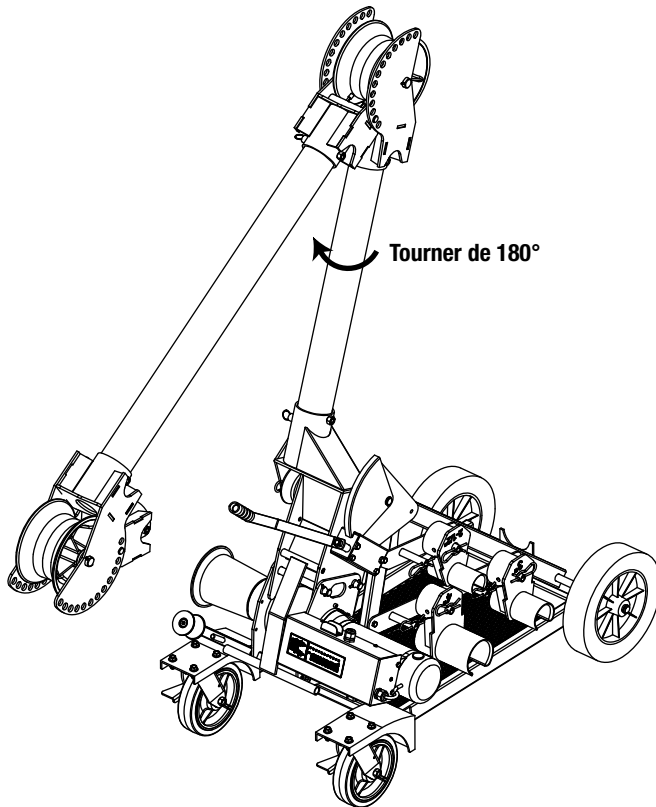
**Poser l'accouplement et le lever plus haut que le conduit**



**Abaisser dans le conduit**

**Montage de la flèche (suite)**
**Tirage vers le bas depuis la position « tipi »**

1. Engager les freins.
2. Faire pivoter le coude d'une ou deux positions de cheville vers l'extérieur. Soulever par la tête pour libérer la contrainte sur la cheville d'arrêt qui attache la flèche arrière au coude.
3. Tout en tenant la cheville rétractée, faire tourner le coude sur la flèche arrière de 180° en poussant la flèche avant autour du chariot.



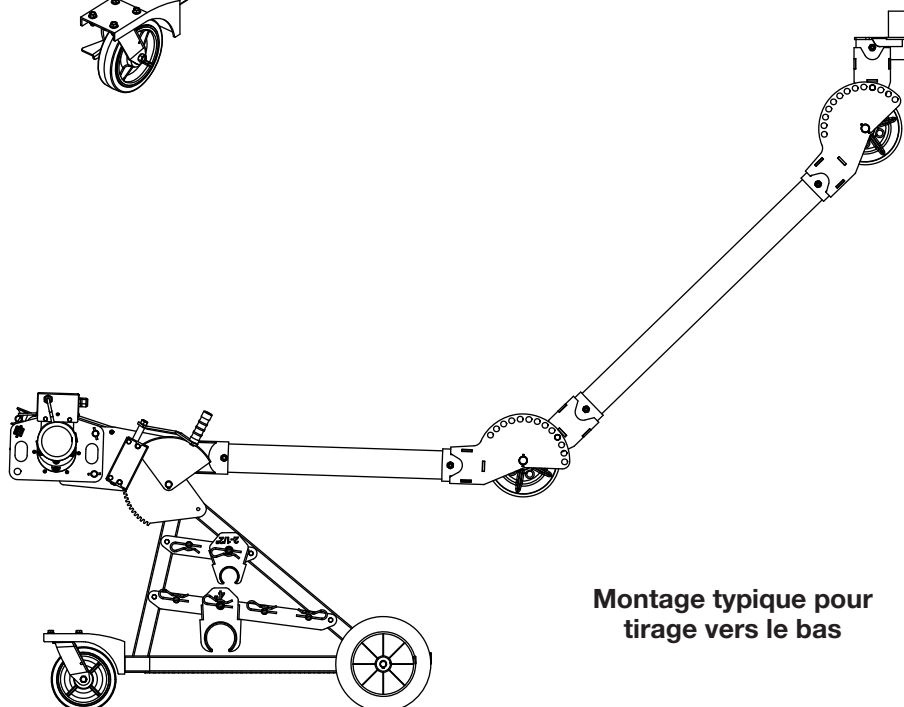
4. Abaisser toute la flèche jusqu'à ce que la flèche avant soit proche de la verticale.
5. Abaisser la flèche avant jusqu'à ce que le coude soit proche de l'angle souhaité pour la position de tirage.
6. Relever ou abaisser la flèche de manière à placer la tête juste en dessous du conduit d'où doit se faire le tirage.

**Utilisation d'accouplements à insérer :**

- a. Engager l'accouplement de conduit à insérer de taille appropriée dans la tête.
- b. Faire pivoter la tête de manière à aligner l'accouplement sur le conduit et la verrouiller dans cette position.
- c. Abaisser la flèche suffisamment pour que l'accouplement passe sous le conduit.
- d. Relâcher les freins.
- e. Avancer le chariot jusqu'à ce que l'accouplement soit sous le conduit et le relever.

**Utilisation d'accouplements à visser :**

- a. Visser l'accouplement à visser correct à fond sur le conduit.
- b. Faire pivoter la tête de manière à l'aligner sur l'accouplement et la verrouiller dans cette position.
- c. Abaisser la flèche suffisamment pour que la tête passe sous l'accouplement.
- d. Relâcher les freins.
- e. Avancer le chariot jusqu'à ce que la tête soit en dessous de l'accouplement, tirer sur l'anneau de cheville et relever la tête sur l'accouplement.


**Montage typique pour tirage vers le bas**

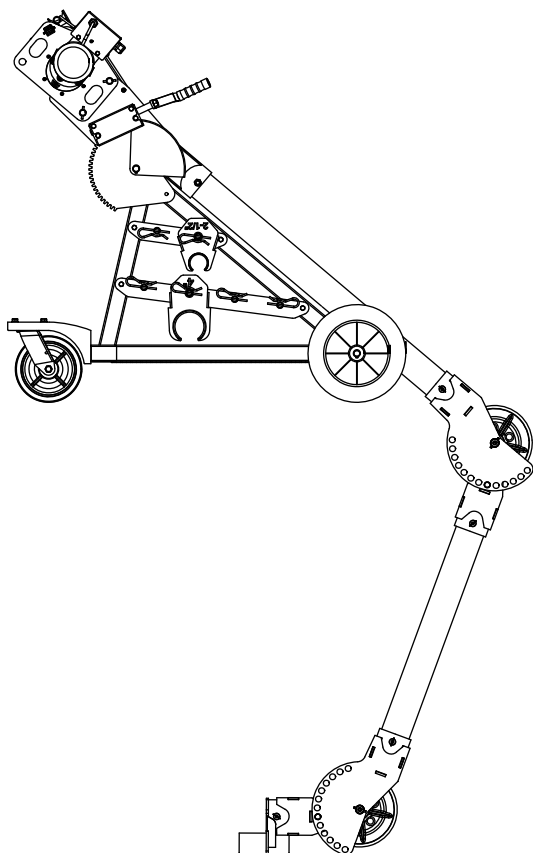
## Montage de la flèche (suite)

### Tirage horizontal

Les tirages horizontaux sont essentiellement identiques aux tirages vers le haut ou le bas.

- Si le conduit est au-dessus du treuil, suivre les instructions de tirage vers le haut.
- Si le conduit est en dessous du treuil, suivre les instructions de tirage vers le bas.

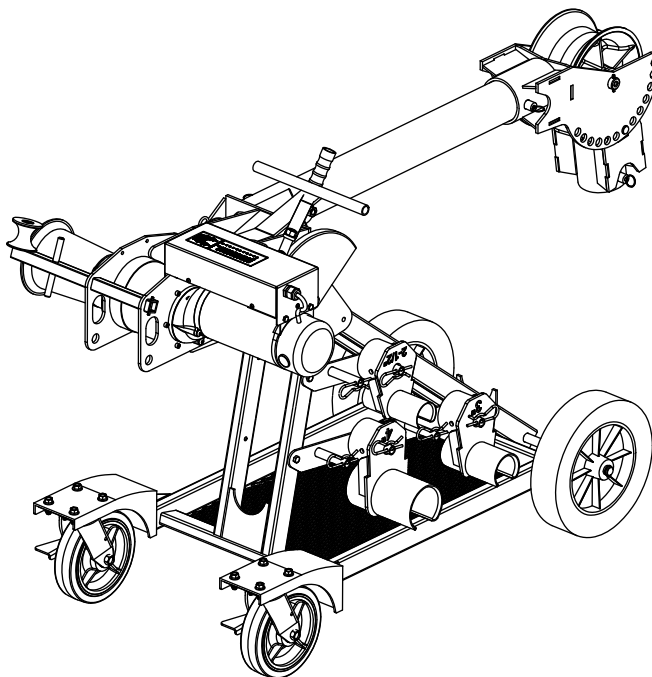
La seule différence réside dans l'alignement horizontal de l'accouplement sur le conduit et dans le déplacement du chariot pour engager l'accouplement dans le conduit (ou la tête dans l'accouplement vissé le cas échéant).



**Tirage horizontal dans une chambre souterraine**

### Tirage à flèche simple

Toutes les instructions de montage précédentes supposent l'utilisation des deux parties de flèche. Si l'emploi des deux parties de flèche peut être utile pour éviter des obstacles, maintenir les angles de renvoi sur les galets à un minimum ou tirer plus de câble hors du conduit, cela n'est pas toujours nécessaire. Un tube de flèche unique de 90 cm (3 pi) ou 1,2 m (4 pi) ou un conduit rigide de 76 mm (3 po) d'une longueur jusqu'à 3 m (10 pi) peut être utilisé pour simplifier le montage.



**Montage à flèche simple**



## Montage de la flèche (suite)

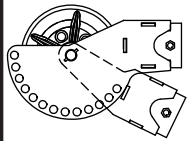
### Éléments de la flèche

#### **⚠️ AVERTISSEMENT**

- Utiliser exclusivement des tubes Greenlee ou un conduit rigide droit en acier (ou tuyau en acier de nomenclature 40) de 76 mm (3 po) de diamètre pour la flèche.
- Ne pas utiliser de tubes de flèche de plus de 3 mètres (10 pi) de longueur. Les flèches plus longues peuvent se plier ou se rompre.

Le non-respect de cette mise en garde peut entraîner des blessures graves ou la mort.

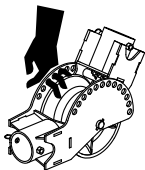
#### **⚠️ AVERTISSEMENT**



Si l'élément coude/tête est démonté, le remonter comme sur l'illustration. Un montage incorrect peut provoquer une défaillance du coude.

Le non-respect de cette mise en garde peut entraîner des blessures graves ou la mort.

#### **⚠️ AVERTISSEMENT**



Point de cisaillement :

Ne jamais placer les doigts dans les trous des éléments de flèche. Le pivotement de pièces appariées peut sectionner les doigts. Toujours garder le coude verrouillé au moyen des chevilles d'arrêt sauf durant les réglages.

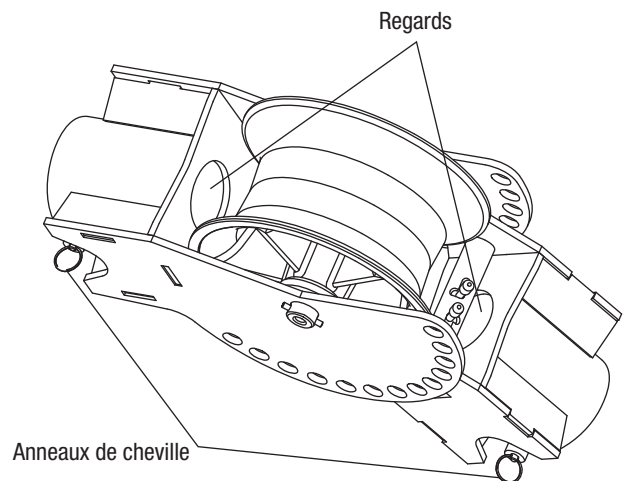
Le non-respect de cette mise en garde peut entraîner des blessures graves ou la mort.

Utiliser exclusivement les tubes de flèche suivants :

- Tubes de flèche fournis avec le treuil UT10
- Conduit rigide en acier de 76 mm (3 po) (3 m ou 10 pi maximum)
- Tuyau en acier de nomenclature 40 de 76 mm (3 po) (3 m ou 10 pi maximum)

Si un conduit rigide de 76 mm est utilisé à la place d'éléments de flèche standard :

1. Tirer sur les anneaux de cheville pour mettre le conduit en place.
2. Enfiler le conduit à fond et vérifier sa position à travers les regards.
3. Utiliser des vis de 1/2 po-13 (non fournies) dans les écrous soudés pour bloquer le conduit en place.



## Transport de la flèche

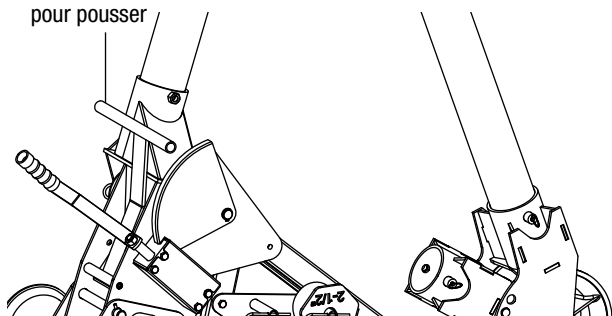
### Roulage

1. **Si le système a été configuré pour un tirage vers le haut :**
  - a. Abaisser la tête jusqu'au sol pour obtenir la position de transport en « tipi ».
  - b. Bloquer les chevilles d'arrêt de pivotement du coude en position rétractée.
  - c. Relever la flèche à la manivelle pour décoller la tête du sol et libérer les chevilles d'arrêt.

### Si le système a été configuré pour un tirage vers le bas :

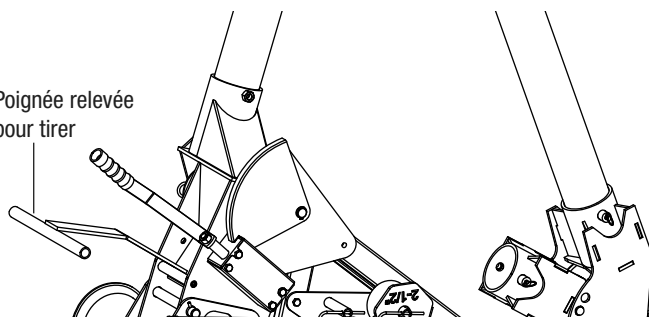
- a. Rétracter les chevilles d'arrêt de pivotement du coude, replier la flèche avant jusqu'à l'avant-dernière position et verrouiller le coude.
  - b. Relever la flèche au maximum jusqu'à la butée.
  - c. Rétracter les chevilles à anneau qui attachent la flèche arrière au coude et faire tourner le coude de 180° jusqu'en position « tipi ».
2. Relever la poignée de déplacement jusqu'à ce qu'elle appuie sur le bâti de flèche pour pousser le chariot. Utiliser la même poignée pour tirer le chariot.

Poignée relevée  
pour pousser



**Position de la poignée pour pousser**

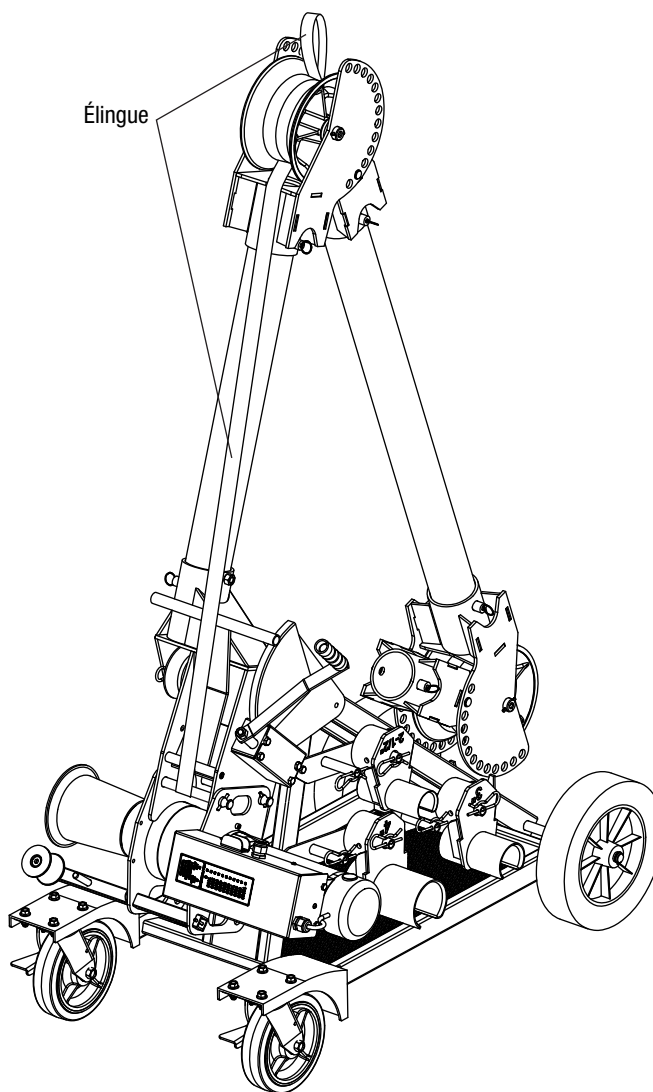
Poignée relevée  
pour tirer



**Position de la poignée pour tirer**

### Levage

1. Attacher une élingue de levage à la broche de fixation de la tête de treuil.
2. Enfiler l'élingue entre le galet et le bâti du coude pour la piéger.
3. Soulever l'élingue depuis le dessus du coude.



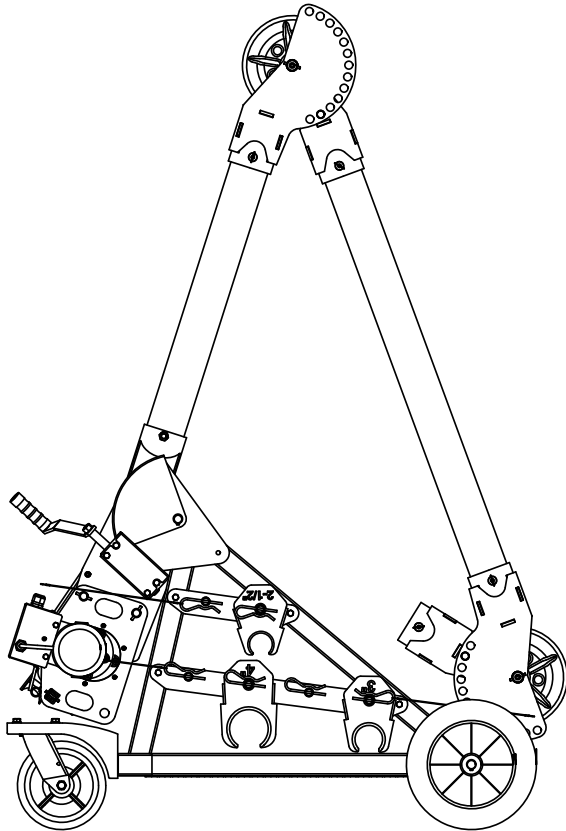
3. Rabattre la poignée vers le bas sur la tête de treuil lorsqu'elle n'est pas utilisée.

## FONCTIONNEMENT

### Fonctionnement de la flèche

#### Levage et abaissement

La flèche se lève et s'abaisse au moyen de la manivelle placée sur l'avant du treuil. Tourner la manivelle dans le sens des aiguilles d'une montre pour abaisser la flèche et dans le sens inverse pour la lever. Depuis la position « tipi », déverrouiller le coude avant d'abaisser la flèche afin de l'empêcher de heurter le chariot.



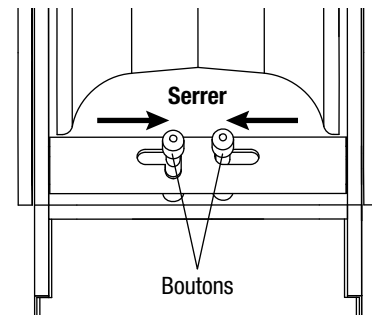
Position « tipi »

#### Pivotement du coude et de la tête

Le coude et la tête sont physiquement identiques et peuvent être utilisés de façon interchangeable. Par souci de clarté, dans ce manuel :

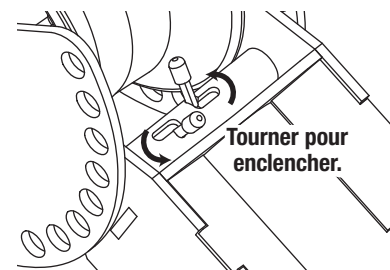
- « Tête » fait référence à l'élément qui se raccorde au conduit au moyen d'accouplements.
- « Coude » fait référence à l'élément qui raccorde les deux tubes de flèche.

Le coude et la tête pivotent et se bloquent à divers angles d'articulation. Ils se verrouillent en place au moyen de chevilles d'arrêt placées entre les galets et à l'extrémité du manchon pour tube de flèche. Pour les faire pivoter, serrer les boutons des chevilles d'arrêt à fond l'un vers l'autre.



S'assurer que les chevilles d'arrêt sont complètement rétractées des deux côtés avant d'effectuer le pivotement. Relâcher les boutons lorsque l'angle de pivotement souhaité est atteint et poursuivre légèrement le pivotement pour permettre aux deux chevilles de s'engager dans les trous les plus proches.

Lorsque les chevilles d'arrêt sont serrées l'une vers l'autre, elles peuvent être bloquées en place par une rotation dans le sens inverse des aiguilles d'une montre.



Ne jamais effectuer un tirage de câble avec les chevilles d'arrêt bloquées en position rétractée; le coude et la tête doivent être tous deux verrouillés pour ne pas pivoter avant le tirage.

## Fonctionnement de la flèche (suite)

### Tubes de flèche

Le système de tirage est fourni de série avec un tube de flèche 1,2 m (4 pi) et un de 0,9 m (3 pi) de long. Dans la configuration par défaut, le tube de 0,9 m est placé entre le treuil et le coude et le tube de 1,2 m entre le coude et la tête. L'utilisateur peut, s'il le souhaite, inverser cette configuration. Les tubes de flèche sont tenus en place au moyen de chevilles d'arrêt à bague.

En outre, un conduit rigide de 3 po (76 mm) d'une longueur jusqu'à 3 m (10 pi) peut être utilisé à la place de l'un ou des deux tubes de flèche. Lorsque le conduit rigide de 3 po (76 mm) est utilisé, veiller à tenir compte des deux points suivants :

- Comme le conduit ne peut pas être bloqué dans les manchons par les chevilles d'arrêt, il doit être serré du côté opposé à la cheville au moyen de vis de 1/2 po-13 (non fournies).
- Comme le poids du conduit est trop important pour lever et abaisser la flèche à l'aide de la manivelle, une assistance manuelle est nécessaire.

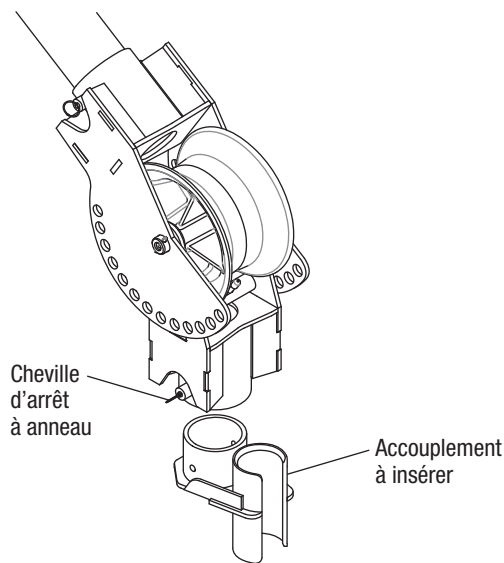
### Accouplements de conduit

Les accouplements de raccordement du système de tirage au conduit sont fournis dans des diamètres de 2 po, 2-1/2 po, 3 po, 3-1/2 po, 4 po et 5 po (51, 64, 76, 89, 102 et 127 mm respectivement).

Ils sont de deux types : à insérer et à visser :

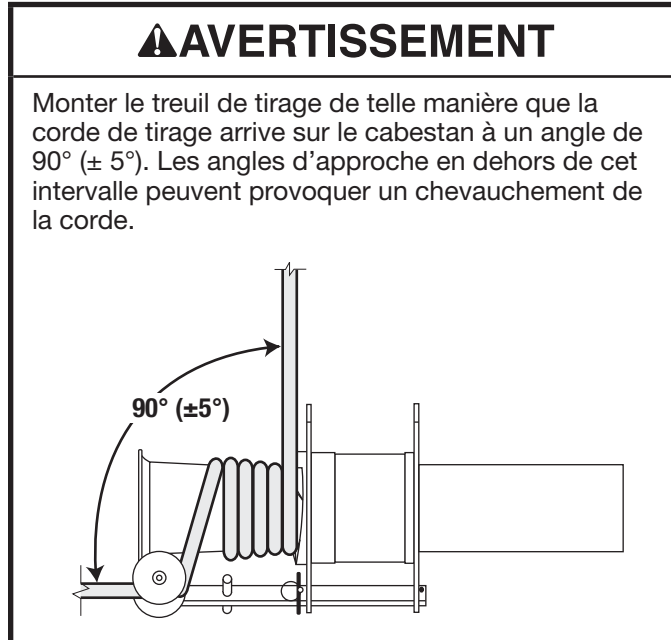
- Les accouplements à insérer sont les plus faciles à utiliser mais ils réduisent le diamètre intérieur utile du conduit.
- Les accouplements à visser ne réduisent pas le diamètre intérieur utile du conduit, mais prennent plus de temps à mettre en place.

Si des flèches plus longues que la normale sont utilisées, les accouplements à visser peuvent s'avérer nécessaires pour soutenir la flèche et l'empêcher de chuter. Les accouplements pour conduit passent dans les mêmes manchons de pose que les tubes de flèche et se bloquent au moyen des mêmes chevilles d'arrêt à anneau.

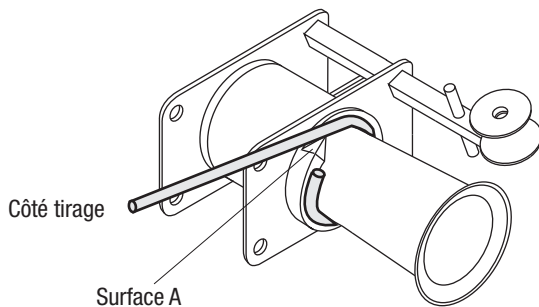


## Fonctionnement du tire-câble

1. Effectuer l'aiguillage de la corde à travers le conduit.
2. Monter le treuil de tirage. Se reporter aux illustrations et aux instructions dans la section « Montages types ».



3. Préparer la rampe pour corde comme suit :



- a. Enrouler la corde de plusieurs tours sur le cabestan.
  - b. Écarter la rampe de la plaque de fixation et la faire tourner pour placer la surface A au contact de la corde.
  - c. Repousser la rampe vers la plaque de fixation et la tourner dans le sens inverse des aiguilles d'une montre jusqu'à son enclenchement.
4. Brancher le treuil de tirage sur une prise de 20 A avec terre. Mettre l'interrupteur/disjoncteur en position de marche.
  5. Les voyants lumineux exécutent la séquence de mise sous tension, après seul le voyant « 0 » reste allumé. Par défaut, le démarrage se fait à haute vitesse. Le voyant de haute vitesse est allumé. Pour

choisir la basse vitesse de démarrage, taper deux fois sur l'interrupteur à pédale. Le voyant de basse vitesse s'allume. Taper deux fois sur la pédale pour revenir à la haute vitesse.

6. Lorsque l'interrupteur à pédale est enfoncé, le voyant vert indiquant 0 lb s'allume. À mesure que la force augmente, un voyant supplémentaire s'allume pour chaque accroissement de 1000 lb de la force de tirage.
  - Si la limite d'exploitation en continu du treuil est dépassée en mode de marche à haute vitesse, les voyants verts se mettent à clignoter.
  - Si la limite d'exploitation en continu du treuil est dépassée à basse vitesse, les voyants jaunes s'allument.
  - Le voyant rouge s'allume à 10 000 lb pour indiquer que la limite maximale d'exploitation du treuil a été atteinte. Le disjoncteur (ou limiteur de courant) peut arrêter le treuil avant ou peu après l'allumage du voyant rouge.
7. S'assurer qu'il n'y a personne dans l'alignement ou à proximité de la corde de tirage. Le galet à angle droit sur le treuil UT10 doit être utilisé pour permettre à l'opérateur de se tenir sur le côté comme il se doit.
8. Se placer de manière à voir les voyants indicateurs de force. Se reporter à la table ci-dessous.

### Voyants indicateurs de force

États des voyants	Force de tirage (lb)	Fonctionnement
Vert	0–6500 (bas)	Continu
	0–3250 (haut)	
Vert clignotant	3250–4000 (haut)	15 marche/15 arrêt
Jaune	6500–8000 (bas)	15 marche/passe à bas
Rouge	Au-dessus de 8000	Arrêt

9. Saisir le côté arrière de la corde. Appliquer une légère force de ravalement.
10. Pour démarrer le treuil, appuyer sur la pédale et la tenir enfoncée.
11. Ravaler la corde, en la laissant s'accumuler sur le sol entre l'opérateur et le treuil.
12. Une fois le tirage terminé, mettre le treuil à l'arrêt. Attacher la corde et ancrer le câble.

## Enlèvement de câble

L'enlèvement d'un câble usagé s'appuie sur les mêmes principes que la pose d'un câble neuf. Il y a toutefois quelques différences importantes.

### Force de tirage

Il est difficile de prédire le degré de force de tirage nécessaire pour extraire un câble usagé. Ce câble peut être endommagé et peut se rompre sous l'effet d'une force de tirage même très réduite.

Les forces de tirage requises peuvent être très élevées :

- Le câble s'est probablement « grippé ». Contrairement au câble neuf sur le dévidoir, le câble dans le conduit s'y trouve probablement depuis plusieurs années, voire plusieurs décennies. Ce câble résiste à la flexion et au redressement lorsqu'il est tiré à travers le conduit.
- Le lubrifiant de tirage a probablement durci, ce qui accroît la résistance au tirage.
- L'isolant peut être endommagé et le câble peut être corrodé.
- De la terre ou autres corps étrangers peuvent avoir pénétré dans le conduit et scelle le câble en place.

### Placement du treuil de tirage

L'extraction d'un câble usagé se fait généralement en plaçant le treuil de tirage à une certaine distance de l'extrémité du conduit. Cela permet de tirer une longue portion de câble avant de devoir arrêter le treuil, couper le câble et rattacher le tire-câble. Le placement du treuil de tirage à une certaine distance de l'extrémité du conduit augmente la longueur de corde exposée, ce qui accroît grandement l'amplitude du fouettement susceptible de se produire en cas de rupture de la corde.

Pour isoler l'opérateur du trajet de la corde :

- Placer le treuil de manière à se tenir derrière une protection, telle qu'un mur. Placer le treuil de manière à pouvoir maîtriser le tirage. L'opérateur doit avoir une vue dégagée de la corde qui s'enroule sur le cabestan, y compris de plusieurs mètres en amont du cabestan. Il doit pouvoir arrêter le treuil avant que le tire-câble, le connecteur ou l'émerillon ne touche le cabestan.
- Utiliser un galet de tirage supplémentaire (le cas échéant) pour changer la direction de ravalement de la corde. Ancrer ce galet de manière à être suffisamment près pour maintenir le contrôle du tirage. L'opérateur doit avoir une vue dégagée de la corde qui s'enroule sur le cabestan, y compris de plusieurs mètres en amont du cabestan. Il doit pouvoir arrêter le treuil avant que le tire-câble, le connecteur ou l'émerillon ne touche le cabestan.

*Remarque : Utiliser un galet de tirage supplémentaire pour changer la direction de ravalement de la corde (en aval du cabestan). Ne pas changer la direction de la corde de tirage.*

- Utiliser une plus grande longueur de ravalement et se tenir à l'écart du treuil. Se tenir aussi loin du treuil que possible tout en maintenant le contrôle du tirage. L'opérateur doit avoir une vue dégagée de la corde qui s'enroule sur le cabestan, y compris de plusieurs mètres en amont du cabestan. Il doit pouvoir arrêter le treuil avant que le tire-câble, le connecteur ou l'émerillon ne touche le cabestan.

## ENTRETIEN

**La réparation de l'outil doit être effectuée uniquement par un technicien qualifié.** Toute réparation ou toute opération d'entretien effectuée par du personnel non qualifié peut entraîner des blessures.

**Lors de la réparation d'un outil, utiliser uniquement des pièces de rechange identiques. Suivre les instructions de la section « Entretien » de ce manuel.** L'utilisation de pièces non autorisées ou le non-respect des instructions d'entretien peut entraîner un risque de choc électrique ou de blessure.

### Entretien

#### IMPORTANT

L'entretien doit être effectué exclusivement par du personnel autorisé.

#### Notes sur la maintenance générale

- Changer toute pièce qui est cassée, fissurée ou usée.
- Changer tout palier qui ne tourne pas librement.
- Nettoyer toutes les surfaces de contact avant l'assemblage.
- Changer la graisse de boîte d'engrenages avec de la Sentinel SL-WPG ou équivalente.

#### Notes sur l'entretien particulier

- La durée de service moyenne des balais de collecteur est d'environ 100 heures. Changer les balais s'ils ont moins de 9,5 mm (3/8 po) de longueur.
- Changer la rampe pour corde si elle présente une empreinte d'usure de plus de 6,5 mm (1/4 po).
- Changer le cabestan s'il présente une empreinte d'usure de plus de 0,15 mm (1/16 po).
- Le treuil de tirage ne nécessite normalement aucun graissage sur sa durée de service.

#### Dépose et démontage du boîtier de commande

1. Déposer les quatre vis à tête hexagonale et les écrous qui attachent la bague de serrage au boîtier de commande.
2. Desserrer collier serre-câble des cordons de moteur et d'alimentation. Déposer les six vis de fixation du capot sur la plaque support.
3. Débrancher les fils de moteur blanc et noir de la carte de circuit imprimé.
4. Dévisser la vis de terre verte de la plaque support.
5. Débrancher le câble ruban.

6. Débrancher le cordon d'alimentation au niveau de la carte de circuit imprimé et du disjoncteur.
7. Débrancher la fiche de l'interrupteur à pédale.
8. Dégager le circuit de commande.

#### Notes sur le montage du boîtier de commande

1. Le câble ruban comporte une flèche sur la broche n°1, qui se place à côté de la prise de l'interrupteur à pédale.
2. L'interrupteur à pédale se branche dans la prise la plus proche de câble ruban.
3. Le fil de moteur blanc se raccorde à la cosse la plus proche de la prise de l'interrupteur à pédale.

#### IMPORTANT

Une inversion des fils aurait pour effet d'endommager le premier démultiplicateur.

#### Dépose du moteur

1. Déposer le boîtier de commande.
2. Déposer les capuchons de balais de collecteur noirs et extraire les balais de collecteur.
3. Utiliser une douille de 7/16 po pour déposer les écrous et les rondelles sur l'arrière du moteur.
4. Déposer le carter arrière du moteur.
5. Déposer le carter de stator.
6. Extraire l'induit.

#### Notes sur le montage du moteur

1. Si l'induit ne tourne pas librement après sa pose, c'est que les pignons sont mal engrenés.
2. Tenir l'induit en place durant la pose du carter de stator.
3. Enfiler la goupille cylindrique du carter de stator dans le carter arrière.

#### Dépose du cabestan

1. Utiliser une douille de 1-1/8 po pour déposer les boulons et rondelles de fixation du cabestan.
2. Tirer le cabestan hors de l'arbre.

Si le cabestan est grippé : Extraire la rampe pour corde. Utiliser deux leviers placés de part et d'autre du cabestan entre le carter d'engrenages et le cabestan.

3. Déposer la clavette.
4. Déposer la rampe pour corde.

## Entretien (suite)

### Notes sur le montage du cabestan

1. Éliminer toute oxydation avant le remontage.
2. **Ne pas frapper le cabestan pour l'enfiler sur l'arbre.** Utiliser un boulon de 65 mm (2-1/2 mm) ou plus pour tirer le cabestan sur l'arbre.

### Dépose du support de galet de renvoi

1. Déposer la cheville d'arrêt.
2. Faire coulisser le bras vers le moteur. Utiliser un petit chasse-goupille pour déposer la goupille cylindrique.
3. Déposer le support.

### Démontage de la boîte d'engrenages

1. Déposer le boîtier de commande, le moteur, le cabestan et le support de galet de renvoi.
2. Déposer les six vis qui maintiennent la plaque de fixation du moteur.
3. Déposer la plaque de fixation du moteur.
4. Déposer les deux vis supplémentaires qui tiennent encore le carter intermédiaire (une à l'intérieur, l'autre à l'extérieur).
5. Déposer le carter intermédiaire.
6. Déposer le pignon inverseur et l'arbre. Enfiler des pignons de haute et basse vitesse de l'arbre d'entrée du train épicycloïdal.
7. Déposer les six vis qui maintiennent la plaque de fixation du treuil.
8. Déposer la plaque de fixation du treuil et la plaque d'entrée du train épicycloïdal.
9. Déposer le planétaire et l'arbre avec palier du 1er démultiplicateur hors de la plaque d'entrée du train épicycloïdal.
10. Extraire le train d'engrenages du 1er démultiplicateur.
11. Extraire le train d'engrenages du 2e démultiplicateur et l'arbre central.
12. Extraire l'arbre de sortie et le train du 3e démultiplicateur.
13. Déposer les six vis qui maintiennent la plaque de fixation de treuil restante.
14. Déposer la plaque de fixation et la couronne dentée.
15. Déposer les pions de centrage, les rondelles et les clavettes, le cas échéant.

### Notes sur le montage de la boîte d'engrenages

1. Nettoyer toutes les surfaces de contact de la couronne. Appliquer une pâte d'étanchéité (Loctite® 515 ou équivalent) sur toutes les surfaces de contact de la couronne.
2. Poser les plaques de fixation. Vus depuis le côté moteur, les goujons de fixation du moteur doivent être dans les positions 1 heure et 7 heures. Le trou carré dans la plaque de fixation doit être entre les positions 10 heures et 11 heures.
3. Placer les plaques de fixation de telle manière que les têtes de vis sur le côté cabestan soient noyées dans les chambrages des plaques de fixation.
4. Assembler les pignons de haute et basse vitesse de telle manière qu'ils tournent librement dans le sens des aiguilles d'une montre et se bloquent dans le sens inverse vus depuis le côté moteur.

### Démontage des porte-satellite

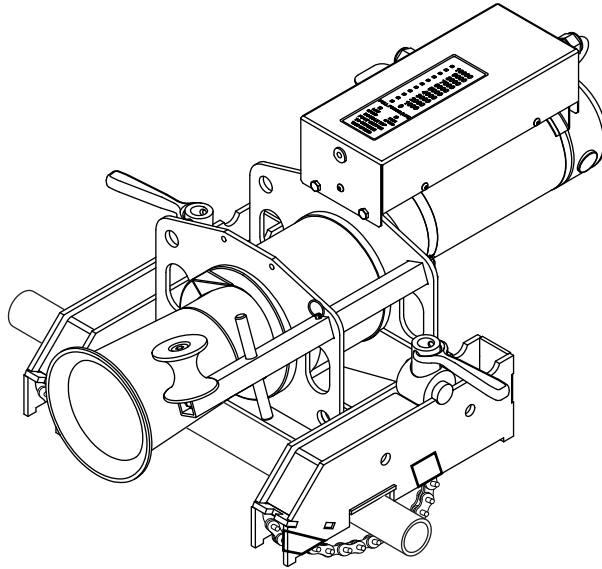
1. Déposer les vis à tête plate.
2. En tapotant ou avec un levier, extraire la plaque de démultiplicateur du bâti et des pions de centrage.
3. Déposer les rondelles de butée, les pignons, les autres rondelles de butée et l'arbre.
4. Déposer le planétaire UNIQUEMENT s'il doit être changé.

### Montage des porte-satellite

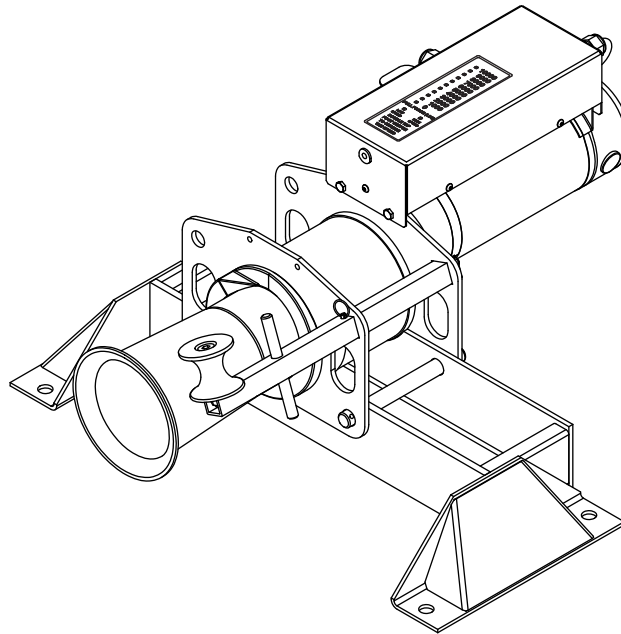
1. Placer les arbres dans le bâti de démultiplicateur. Le côté avec le méplat doit être tourné vers l'extérieur.
2. Le premier démultiplicateur épicycloïdal doit être placé avec le côté engrenages vers le cabestan.
3. Lors du remontage du palier/embrayage du premier démultiplicateur, la flèche de blocage doit pointer dans le sens inverse des aiguilles d'une montre (vue depuis le côté engrenages).
4. **Lors du remontage du roulement à billes sur l'arbre de sortie, le côté épais du chemin de roulement extérieur doit être face au cabestan.**
5. Utiliser du frein filet détachable, tel que du Loctite® 242® Threadlocker ou équivalent, sur les vis à tête plate n° 10-32 (repères 35 et 36 sur le moteur à engrenages). Suivre les instructions de séchage du fabricant.



**ACCESSOIRES**



**Bâti à chaînes — Attachée à un tuyau ou conduit en acier**






**Socle de fixation au sol — Attaché à une dalle en béton**

## Montage – Bâti à chaînes

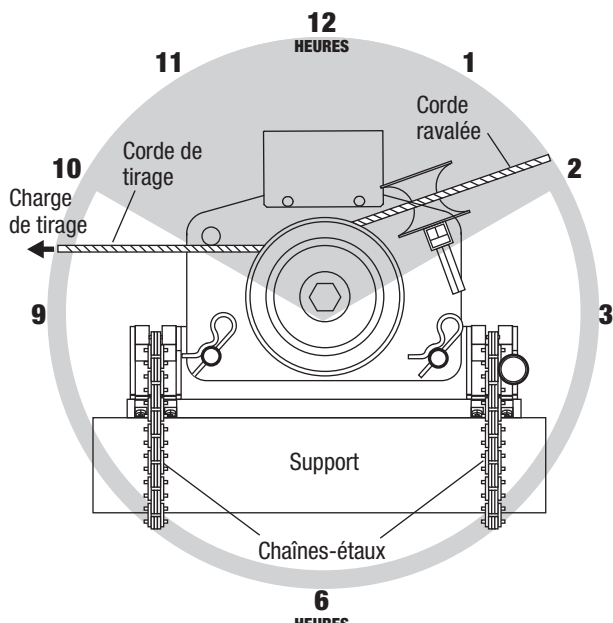
Nécessite : conduit métallique exposé aux caractéristiques suivantes :

- 64 mm à 254 mm (2-1/2 po à 10 po) de diamètre
- Capable de résister à une force de 44,5 kN (10 000 lb)

	<h3>⚠️ AVERTISSEMENT</h3>
	<p>Ne pas attacher le bâti à chaînes aux supports suivants :</p> <ul style="list-style-type: none"> <li>• Conduit en acier de moins de 64 mm (2-1/2 po) de diamètre</li> <li>• Conduit en PVC de tout diamètre</li> </ul> <p>Ces conduits ne résistent pas aux contraintes imposées par le treuil de tirage.</p> <p>Le non-respect de cette mise en garde peut entraîner des blessures graves ou la mort.</p>

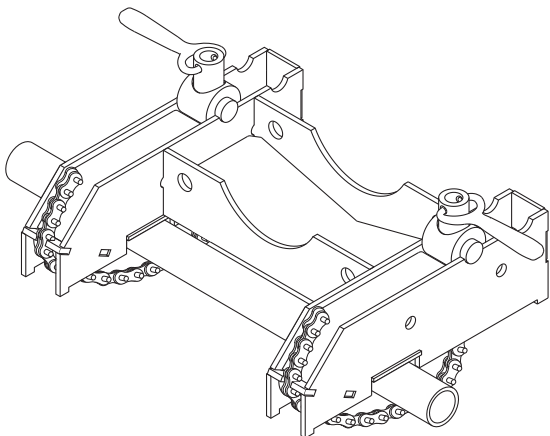
 <p>NON</p>  <p>NON</p>	<h3>⚠️ AVERTISSEMENT</h3>
	<p>Lors de la pose de l'accouplement de tuyau, ne pas serrer les chaînes-étaux sur un support structural de moins de 51 mm (2 po) ou de plus de 254 mm (10 po) d'épaisseur. Sur un support sous-dimensionné ou surdimensionné, le treuil de tirage peut glisser ou se détacher et heurter des personnes présentes.</p> <p>Le non-respect de cette mise en garde peut entraîner des blessures graves ou la mort.</p>

<h3>⚠️ AVERTISSEMENT</h3>
<p>Poser les chaînes-étaux correctement.</p> <ul style="list-style-type: none"> <li>• Suivre les instructions de serrage des chaînes-étaux avec attention. En cas de serrage incorrect des chaînes-étaux, le treuil de tirage peut glisser ou se détacher et heurter des personnes présentes.</li> <li>• Ne pas laisser les chaînes-étaux accrocher aux angles si le treuil est posé sur un support de section carrée ou rectangulaire. La chaîne-étau doit être uniformément tendue en tous points.</li> </ul> <p>Le non-respect de cette mise en garde peut entraîner des blessures graves ou la mort.</p>

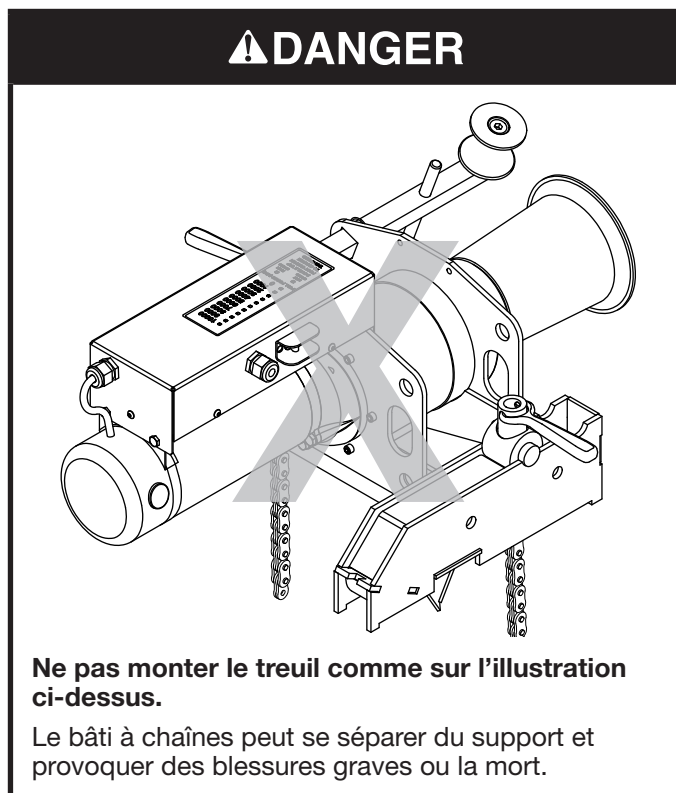
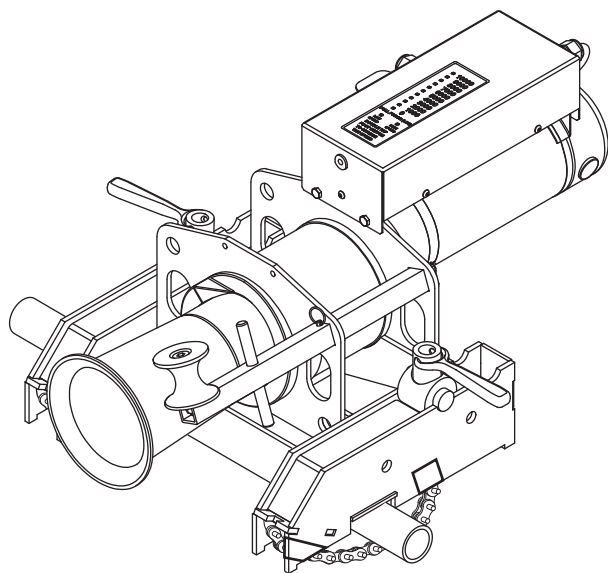
<h3>⚠️ AVERTISSEMENT</h3>
<p>Ne pas tirer entre les directions 10 heures et 2 heures. Un tirage entre les directions 10 heures et 2 heures peut endommager le conduit de fixation.</p>


**Montage – Bâti à chaînes (suite)**

1. Sur chaque chaîne-étau :
  - a. Tourner la manette de chaîne dans le sens inverse des aiguilles d'une montre pour exposer la plus grande partie du filetage. Ne laisser que trois ou quatre filets engagés dans la manette.
  - b. Passer la chaîne autour du conduit.



- c. Tirer fermement sur la chaîne et engager un maillon dans l'encoche pour chaîne.
    - d. Tourner la manette dans le sens des aiguilles d'une montre pour serrer la chaîne. Serrer autant que possible à la main. Ne pas utiliser de tube d'allonge.
2. Placer le treuil dans le berceau du bâti à chaînes de telle manière que l'intérieur du cabestan soit directement au-dessus du conduit de support.
3. Enfiler deux chevilles depuis le côté moteur. Fixer les chevilles avec deux goupilles.



## Montage – Socle de fixation au sol

Nécessite : une dalle en béton aux caractéristiques suivantes :

- Béton de structure totalement durci
- Résistance minimale à la compression de 211 kg/cm<sup>2</sup> (3000 psi)
- Sans fissuration, effritement ni rapiéçage

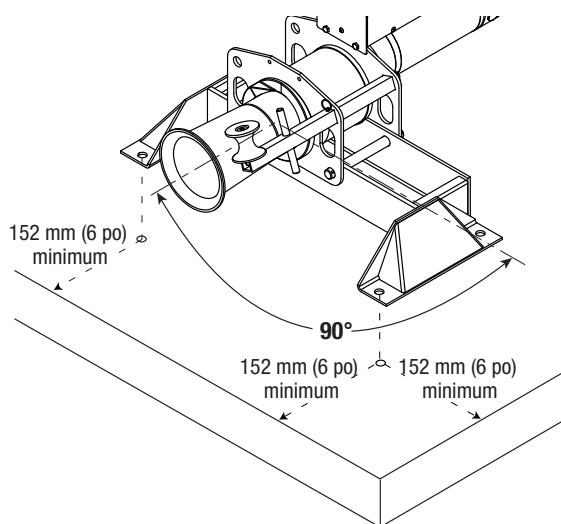
### ⚠️ AVERTISSEMENT

Suivre avec soin toutes les instructions de fixation au sol.

- Un socle mal fixé au sol peut se détacher et frapper des personnes à proximité.
- Ne pas fixer un socle pour sol à de la maçonnerie, de la brique ou à des blocs de béton de mâchefer. Ces matériaux ne retiennent pas solidement la visserie d'ancrage.

Le non-respect de cette mise en garde peut entraîner des blessures graves ou la mort.

1. Déterminer le meilleur emplacement pour la pose du socle. Poser le socle de fixation au sol :
  - sur une surface plane
  - à 152 mm (6 po) au moins du rebord du béton
  - aussi près du conduit que possible afin de réduire la longueur exposée de corde sous tension
  - de telle manière que la corde de tirage arrive sur le cabestan du treuil à un angle de 90° (± 5°).



2. Placer le socle à l'emplacement souhaité. Utiliser le socle en tant que gabarit pour percer quatre trous de 16 mm (5/8 po) d'au moins 152 mm (6 po) de profondeur.

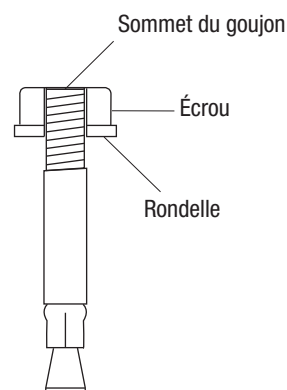
*Remarque : Utiliser une mèche à béton avec pointe en carbure de 16 mm (5/8 po) conforme à la norme ANSI B94.12-77.*

3. Aspirer les débris hors des trous.

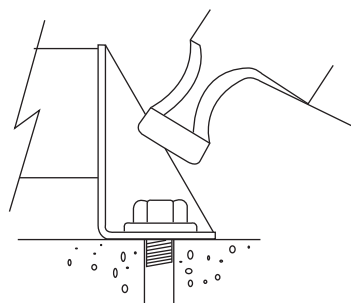
### Pose

Greenlee recommande l'utilisation de goujons d'ancrage Greenlee 35607. Si un autre type d'ancrage est utilisé, il doit présenter une limite de traction et de cisaillement ICBO (International Conference of Building Officials) de 10,7 kN (2400 lb) dans du béton de 211 kg/cm<sup>2</sup> (3000 psi).

1. Poser l'écrou et la rondelle sur le goujon d'ancrage de telle manière que le dessus de l'écrou soit au ras du dessus du goujon, comme sur l'illustration.



2. Insérer les quatre goujons d'ancrage à travers le socle de fixation dans les trous percés dans la dalle.
3. Enfoncer les goujons au marteau jusqu'à ce que la rondelle appuie fermement sur le socle.



4. Serrer les écrous à un couple de 122 à 128 Nm (90 à 95 pi-lb) pour déployer les goujons.

### ⚠️ AVERTISSEMENT

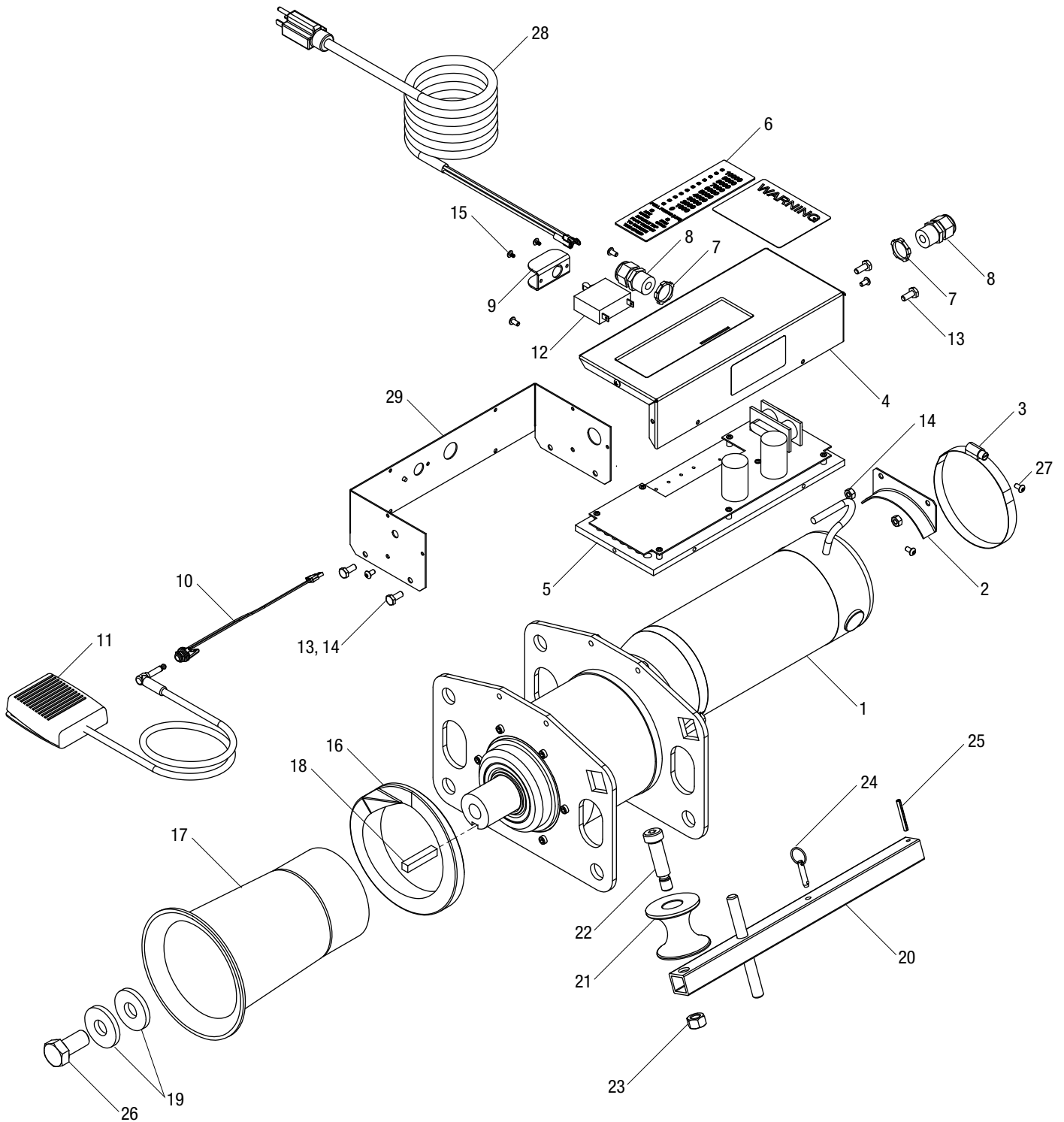
Si l'un quelconque des quatre goujons d'ancrage commence à tourner avant que le couple minimal soit atteint, abandonner l'emplacement et recommencer ailleurs. Un goujon d'ancrage mal posé peut suffire pour que le treuil de tirage se détache.

Le non-respect de cette mise en garde peut entraîner des blessures graves ou la mort.

5. Faire contrôler la pose par un inspecteur qualifié.



**Illustration / Ilustración / Illustration—Ultra Tugger 10**





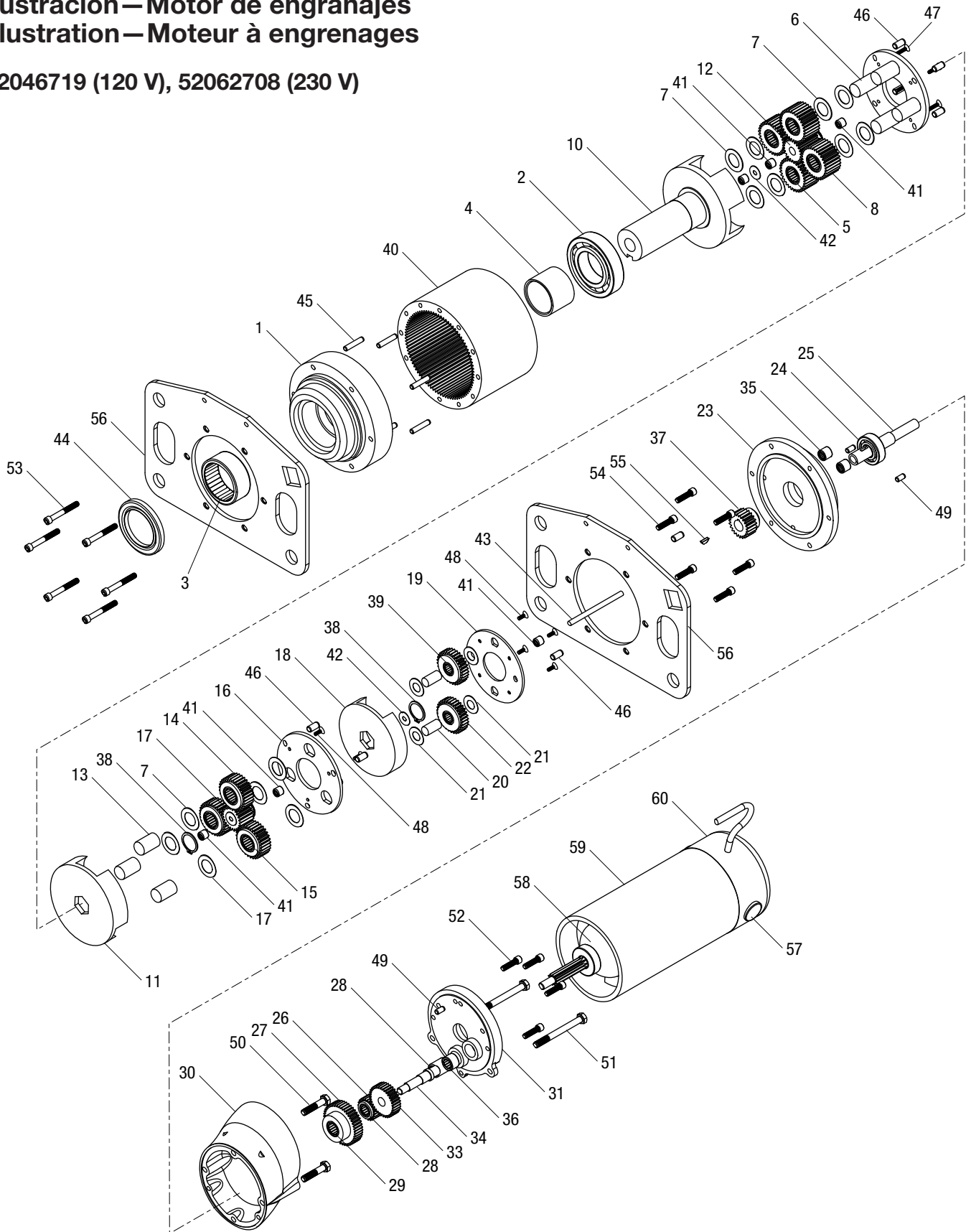
**Parts List / Lista de piezas / Nomenclature des pièces—Ultra Tugger 10**

Key	Part No.	Description	Qty	Key	Part No.	Description	Qty
1	52046719	Gearmotor (120 V).....	1	18	90548515	Key, square.....	1
	52062708	Gearmotor (230 V).....	1	19	90548507	Washer, flat.....	2
2	52054774	Mount, electrical box.....	1	20	50007416	Bar, weldment, tie.....	1
3	52059660	Clamp, screw.....	1	21	50353110	Sheave, right angle.....	1
4	52061142	Cover, electrical box (120 V).....	1	22	90539214	Screw, shoulder, 5/8 x 1.75.....	1
	52062709	Cover, electrical box (230 V).....	1	23		Nut, hex, 1/2-13, zinc-plated.....	1
5	52059658	Electrical assembly (120 V).....	1	24	90548523	Pin, hitch, long.....	1
	52062721	Electrical assembly (230 V).....	1	25	90507002	Rollpin, 3/16 x 1.50.....	1
6	52059659	Overlay.....	1	26		Screw, 3/4-16 x 1 hex head.....	1
7		Nut, 1/2 conduit lock.....	2	27		Screw, #10-24 x 3/8 button head.....	6
8	90541243	Bushing, strain relief.....	2	28	52055712	Cord unit, power (120 V).....	1
9	50297082	Guard, switch.....	1		52058596	Cord unit, power (230 V).....	1
10	52061239	Wire unit, monojack.....	1	<b>Not shown</b>			
11	52059723	Foot switch assembly.....	1		50389416	Wire unit.....	1
	52094756	Foot switch, heavy-duty (optional).....	1	<b>Decals</b>			
12	52059784	Circuit breaker (120 V).....	1			Decal, read instruction manual.....	1
	52060436	Circuit breaker (230 V).....	1		50111027	Decal, color trademark.....	1
13		Screw, cap, 1/4-20 x .625 hex head.....	4			Decal, warning.....	1
14		Nut, hex, 1/4-20.....	4		52059786	Nameplate (120 V).....	1
15		Screw, slotted machine, #6-32 x 0.25.....	2		52062722	Nameplate (230 V).....	1
16	50007513	Ramp.....	1				
17	50007440	Capstan weldment.....	1				



**Illustration—Gearmotor  
Ilustración—Motor de engranajes  
Illustration—Moteur à engrenages**

**52046719 (120 V), 52062708 (230 V)**





**Parts List—Gearmotor  
Lista de piezas—Motor de engranajes  
Nomenclature des pièces—Moteur à engrenages**

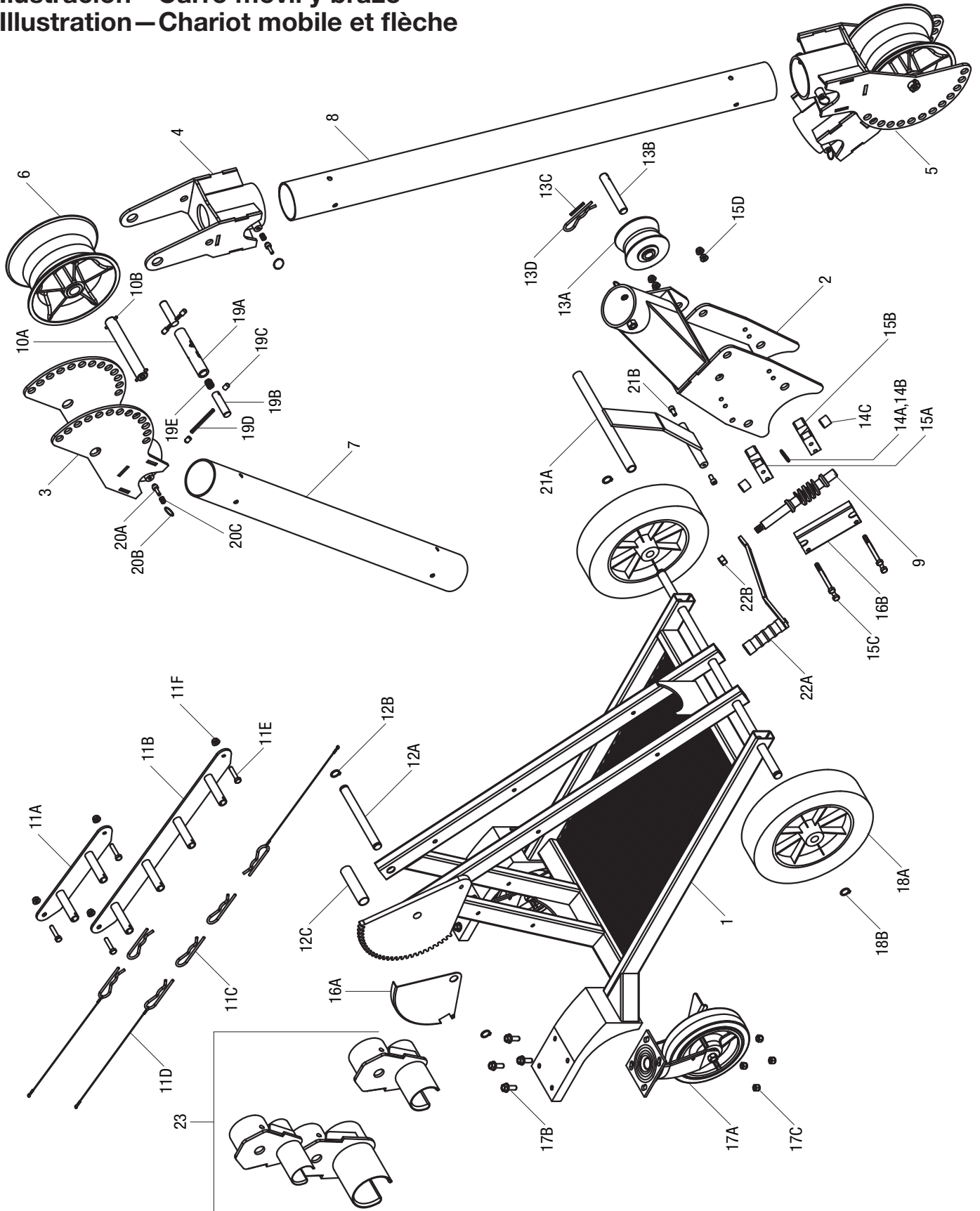
**52046719 (120 V), 52062708 (230 V)**

Key	Part No.	Description	Qty	Key	Part No.	Description	Qty
1		Bearing housing.....	1	43	52026672	Shaft, center .....	1
2		Bearing, 85 mm x 45 mm x 19 mm ball .....	1	44		Seal, grease .....	1
3		Bearing, Torrington BH-3316.....	1	45		Dowel pin, 1/4 x 1.25 .....	6
4		Inner race, Torrington IR-2824.....	1	46		Dowel pin, 5/16 x .625.....	9
5		Bearing, Torrington B-128.....	8	47		Screw, cap, #8-32 socket flat head .....	4
6		Shaft, 3rd reduction .....	4	48		Screw, cap, #8-32 socket flat head .....	7
7		Thrust washer, .760 x 1.25 x .02.....	14	49		Dowel pin, 1/4 x .50.....	3
8		Gear, 3rd reduction planet .....	4	50		Screw, 5/16-18 x 1.50 button head .....	2
9		Plate, output hub .....	1	51		Screw, 5/16-18 UNC x 3.25 button head.....	2
10		Hub, output.....	1	52		Screw, 1/4-20 UNC x 1.00 socket head .....	4
11		Hub, 2nd reduction .....	1	53		Screw, 1/4-28 UNF x 2.00 socket head .....	6
12		Gear, 3rd reduction sun .....	1	54		Screw, 1/4-28 UNF x 1.00 socket head .....	6
13		Shaft, 2nd reduction .....	3	55		Key, #404 Woodruff .....	1
14		Gear, 2nd reduction planet .....	3	56	52058418	Motor mounting plate .....	2
15		Bearing, Torrington B-1212.....	3	57		Commutator brush.....	2
16		Plate, 2nd reduction hub .....	1	58	52061592	Armature assembly (120 V).....	1
17		Gear, 2nd reduction sun .....	1		52064051	Armature assembly (230 V).....	1
18		Hub, 1st reduction .....	1	59	52061593	Magnet housing .....	1
19		Plate, 1st reduction hub.....	1	60	52061594	End bell assembly.....	1
20		Shaft, planet.....	2			<b>Kits</b>	
21		Washer, thrust.....	4	52060769		Reversing gear assembly [includes 33, 34]	
22		Gear, 1st reduction planet.....	2	52060770		Output housing assembly [includes 1, 3, 44]	
23		Plate, planetary input.....	1	52060851		Output shaft assembly [includes 2, 4-6, 7 (8), 8-10, 41 (2), 46 (4)]	
24		Bearing, 40 mm x 17 mm x 12 mm ball .....	1	52060852		2nd reduction planet assembly [includes 7 (6), 11-16, 38 (1), 41 (2), 46 (3)]	
25		Shaft, 1st reduction .....	1	52060853		1st reduction planet assembly [includes 17-22, 38 (1), 39, 41 (2), 46 (2)]	
26		Gear, high driven.....	1	52060854		Planet input housing assembly [includes 23, 35]	
27		Gear, low driven .....	1	52060855		Two speed gear shaft assembly [includes 24-27, 28 (1), 29, 37, 55]	
28		Clutch, Torrington RCB-081214 .....	2	52060856		Motor mount housing assembly [includes 28 (1), 31, 36]	
29		Clutch, Torrington RCB-101416 .....	1	52060857		Seal and thrust washer kit [includes 7, 21, 42, 44]	
30	52046741	Housing, intermediate.....	1	52060858		Hardware kit [includes 45-55]	
31		Plate, motor mount .....	1	52060859		Commutator brush kit [includes 57]	
33		Gear, reversing.....	1				
34		Shaft, idler.....	1				
35		Bearing, Torrington BH-68.....	2				
36		Bearing, Torrington BH-88.....	1				
37		Gear, 1st reduction sun.....	1				
38		Retaining ring, 25 mm ext.....	2				
39		Bearing, Torrington BH-810.....	2				
40	52046739	Gear, ring .....	1				
41		Bearing, Torrington B-46.....	6				
42		Washer, thrust.....	3				





**Illustration—Mobile Carriage and Boom**  
**Ilustración—Carro móvil y brazo**  
**Illustration—Chariot mobile et flèche**





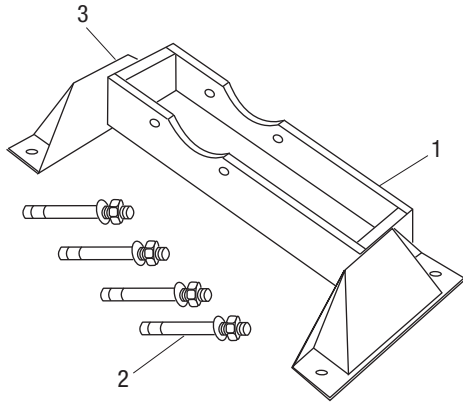
**Parts List—Mobile Carriage and Boom  
Lista de piezas—Carro móvil y brazo  
Nomenclature des pièces—Chariot mobile et flèche**

Key	Part No.	Description	Qty	Key	Part No.	Description	Qty
1	52058623	Carriage weldment.....	1	16B		Guard, worm.....	2
2	52058608	Boom mount weldment .....	1	17	52061278	Swivel caster kit (includes 17A–17C)....	2
3	52058277	Elbow/nose weldment .....	2	17A		Caster .....	1
4		Pivot weldment .....	2	17B		Screw, 3/8-16 x 1.00 hex head.....	4
5	00562	Elbow assembly.....	2	17C		Nut, 3/8-16 hex lock .....	4
6		Sheave unit, 9".....	2	18	52068651	Wheel kit (includes 18A, 18B).....	1
7	00561	Boom, 3' .....	1	18A		Wheel.....	2
8	00560	Boom, 4' .....	1	18B		Ring, retaining.....	3
9	52058618	Worm.....	1	19	52061280	Elbow detent pin kit (includes 19A–19E) .....	2
10	52061270	Sheave shaft kit (includes 10A, 10B) ....	2	19A		Sleeve, long detent.....	1
10A		Shaft.....	2	19B		Detent, long .....	2
10B		Roll pin, 3/16 x 1.50.....	4	19C		Grip, detent.....	4
11	00471	Coupling hanger kit (includes 11A–11F).....	1	19D		Roll pin, 1/4 x 3.00.....	2
11A		Hanger weldment, short .....	1	19E		Spring, detent .....	1
11B		Hanger weldment, long.....	1	20	52061281	Boom detent pin kit (includes 20A–20C).....	3
11C		Hairpin, cotter.....	6	20A		Plunger.....	2
11D		Lanyard.....	3	20B		Ring, pull.....	2
11E		Screw, 5/16-18 x 1.50 hex head.....	4	20C		Spring .....	2
11F		Nut, 5/16-18 flange.....	4	21	52061282	Transport handle kit (includes 21A, 21B).....	1
12	52061273	Pivot shaft kit (includes 12A–12C) .....	1	21A		Push handle weldment .....	1
12A		Shaft, main pivot.....	1	21B		Screw, 5/16-18 x .625 socket head cap .....	2
12B		Ring, retaining.....	2	22	52061283	Crank handle kit (includes 22A, 22B)....	1
12C		Spacer, mount.....	1	22A		Crank .....	1
13	52061274	Idler wheel kit (includes 13A–13D).....	1	22B		Nut, 1/2-20 hex.....	1
13A		Wheel unit, idler .....	1	23	00563	2" slip-in conduit adapter .....	1
13B		Shaft.....	1		00564	2-1/2" slip-in conduit adapter.....	1
13C		Roll pin, 3/16 x 1.50.....	1		00565	3" slip-in conduit adapter .....	1
13D		Hairpin, cotter.....	1		00566	3-1/2" slip-in conduit adapter.....	1
14	52061275	Bearing kit (includes 14A–14C).....	1		00567	4" slip-in conduit adapter .....	1
14A		Race, bearing–thrust.....	2		00610	5" slip-in conduit adapter .....	1
14B		Bearing, thrust needle.....	1		00583	2" screw-on conduit adapter .....	1
14C		Bearing, bronze.....	2		00584	2-1/2" screw-on conduit adapter .....	1
15	52061276	Bearing block set (includes 15A–15D).....	1		00585	3" screw-on conduit adapter .....	1
15A		Block, upper bearing .....	1		00586	3-1/2" screw-on conduit adapter .....	1
15B		Block, lower bearing .....	1		00587	4" screw-on conduit adapter .....	1
15C		Screw, 5/16-18 x 3.25 hex head.....	4				
15D		Nut, 5/16-18 flange.....	4				
16	52061277	Guard kit (includes 16A, 16B) .....	1				
16A		Guard, gear.....	1				
						<b>Decal</b>	
						Decal, warning .....	3



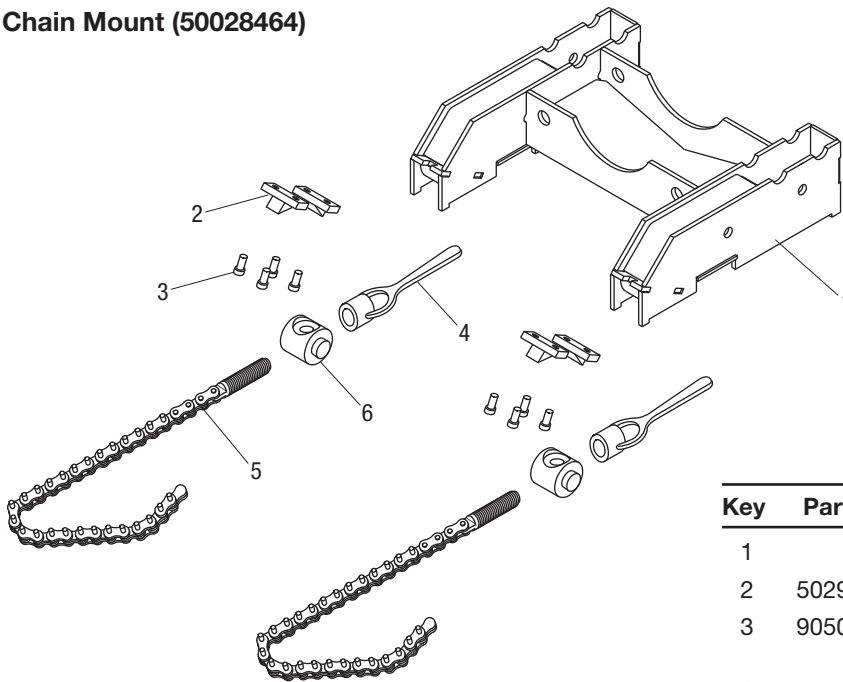
**Accessories / Accesorios / Accessoires**

**Floor Mount (00865)**



Key	Part No.	Description	Qty
1		Frame.....	1
2	50356070	Anchor, wedge, .625 x 6.00 .....	4
3		Decal, warning.....	1

**Chain Mount (50028464)**



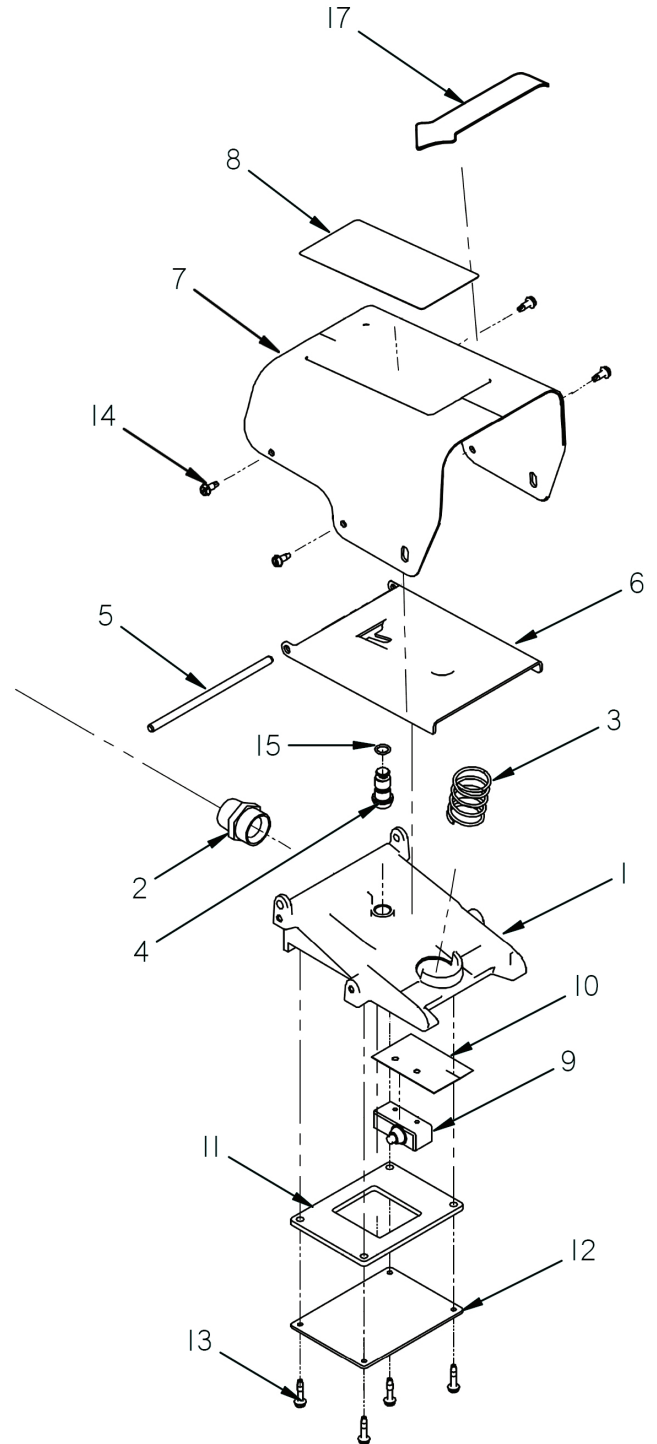
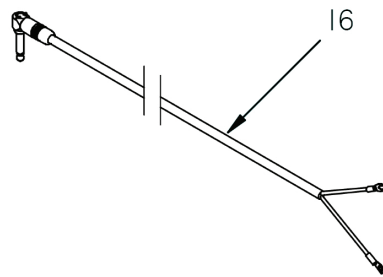
Key	Part No.	Description	Qty
1		Frame.....	1
2	50296647	Foot.....	4
3	90505794	Screw, cap, 1/4-20 x .500, socket head .....	8
4	50296302	Handle unit, vise chain.....	2
5	50356615	Screw unit, vise chain .....	2
6	50007734	Block, pivot.....	2
		Decal, warning (not shown) .....	1



**Illustration & Parts List—Footswitch, Heavy Duty (52094756)**

**Ilustración y lista de piezas—Interruptor De Pedal (52094756)**

**Illustration et nomenclature des pièces—Pédale (52094756)**



Key	Part No.	Description	Qty
1		BASE, FOOTSWITCH .....	1
2	52094784	STRAIN RELIEF W/SEALANT .....	1
3	52094808	SPRING, FOOT PEDAL.....	1
4		POPPET .....	1
5		PIN, PIVOT .....	1
6		PEDAL, FOOT .....	1
7		COVER, FOOTSWITCH .....	1
8		DECAL, WARNING.....	1
9	52094807	SWITCH, MICRO FOOTSWITCH.	1
10		INSULATOR .....	1
11		SEAL .....	1
12		COVER, BOTTOM.....	1
13		SCREW, 10-24 X 27/32 PN HD SEM .....	4
14		SCREW, 10-24 X 1/2.....	4
15		O-RING, .36 ID X .75 THK.....	1
16	52094783	LINECORD ASM. ....	1
17		DECAL, GREENLEE.....	1