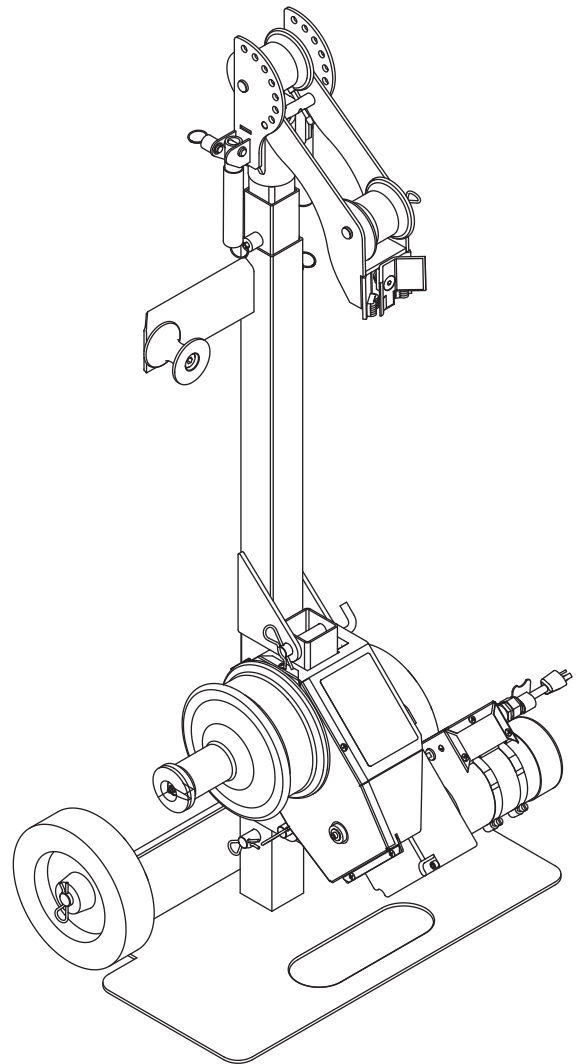


INSTRUCTION MANUAL



G3 Tugger[®] System



Español..... 17
Français..... 33



Read and understand all of the instructions and safety information in this manual before operating or servicing this tool.

Register this product at www.greenlee.com

Table of Contents

Description	2
Safety	2
Purpose of this Manual	2
General Safety Rules	3
Specific Safety Rules and Symbols	4-6
Grounding Instructions	6
FUNCTIONAL DESCRIPTION	
Identification	7
Specifications	8
Planning the Pull	8
ASSEMBLY	
Boom Assembly/Disassembly	9
Boom Setup	10-11
Typical Setup for an Up Pull	11
Typical Setup for a Down Pull	11
Typical Setup for a Side Pull	11
OPERATION	
Nose Assembly Operation	12
Boom Operation	12
Handle Operation	12
Pivoting the Elbow and Nose Units	13
Puller Operation	14
SERVICE	
Maintenance	15
ILLUSTRATIONS AND PARTS LISTS	
G3 Tugger® Cable Pulling System	49
Head Assembly	50
Mobile Carriage	50
Motor Assembly	51-52

Description

The Greenlee G3 Tugger® Cable Pulling System is intended to pull cable through conduit for light-duty applications.

Safety

Safety is essential in the use and maintenance of Greenlee tools and equipment. This instruction manual and any markings on the tool provide information for avoiding hazards and unsafe practices related to the use of this tool. Observe all of the safety information provided.

Purpose of this Manual

This manual is intended to familiarize all personnel with the safe operation and maintenance procedures for the Greenlee G3 Tugger® Cable Pulling System.

Keep this manual available to all personnel.

Replacement manuals are available upon request at no charge at www.greenlee.com.

All specifications are nominal and may change as design improvements occur. Greenlee Tools, Inc. shall not be liable for damages resulting from misapplication or misuse of its products.

G3 Tugger is a registered trademark of Greenlee Tools, Inc.

® Registered: The color green for cable pulling equipment is a registered trademark of Greenlee Tools, Inc.

KEEP THIS MANUAL

GENERAL SAFETY RULES

WARNING! Read and understand all instructions. Failure to follow all instructions listed below may result in electric shock, fire, and/or serious personal injury.

SAVE THESE INSTRUCTIONS

WORK AREA SAFETY

Keep your work area clean and well lit. Cluttered benches and dark areas invite accidents.

Do not operate power tools in explosive atmospheres, such as in the presence of flammable liquids, gases, or dust. Power tools create sparks which may ignite the dust or fumes.

Keep bystanders, children, and visitors away while operating a power tool. Distractions can cause you to lose control.

ELECTRICAL SAFETY

Grounded tools must be plugged into an outlet properly installed and grounded in accordance with all codes and ordinances. Never remove the grounding prong or modify the plug in any way. Do not use any adapter plugs. Check with a qualified electrician if you are in doubt as to whether the outlet is properly grounded. If the tools should electrically malfunction or break down, grounding provides a low resistance path to carry electricity away from the user.

Avoid body contact with grounded surfaces such as pipes, radiators, ranges, and refrigerators. There is an increased risk of electric shock if your body is grounded.

Do not expose power tools to rain or wet conditions. Water entering a power tool will increase the risk of electric shock.

Do not abuse the cord. Never use the cord to carry the tools or pull the plug from an outlet. Keep cord away from heat, oil, sharp edges or moving parts. Replace damaged cords immediately. Damaged cords increase the risk of electric shock.

When operating a power tool outside, use an outdoor extension cord marked “W-A” or “W.” These cords are rated for outdoor use and reduce the risk of electric shock.

PERSONAL SAFETY

Stay alert, watch what you are doing and use common sense when operating a power tool. Do not use tool while tired or under the influence of drugs, alcohol, or medication. A moment of inattention while operating power tools may result in serious personal injury.

Dress properly. Do not wear loose clothing or jewelry. Contain long hair. Keep your hair, clothing, and gloves away from moving parts. Loose clothes, jewelry, or long hair can be caught in moving parts.

Avoid accidental starting. Be sure switch is off before plugging in. Carrying tools with your finger on the switch or plugging in tools that have the switch on invites accidents.

Remove adjusting keys or switches before turning the tool on. A wrench or a key that is left attached to a rotating part of the tool may result in personal injury.

Do not overreach. Keep proper footing and balance at all times. Proper footing and balance enables better control of the tool in unexpected situations.

Use safety equipment. Always wear eye protection. Dust mask, non-skid safety shoes, hard hat, or hearing protection must be used for appropriate conditions.

TOOL USE AND CARE

Use clamps or other practical way to secure and support the workpiece to a stable platform. Holding the work by hand or against your body is unstable and may lead to loss of control.

Do not force tool. Use the correct tool for your application. The correct tool will do the job better and safer at the rate for which it was designed.

Do not use tool if switch does not turn it on and off. Any tool that cannot be controlled with the switch is dangerous and must be repaired.

Disconnect the plug from the power source before making any adjustments, changing accessories, or storing the tool. Such preventive safety measures reduce the risk of starting the tool accidentally.

Store idle tools out of reach of children and other untrained persons. Tools are dangerous in the hands of untrained users.

Maintain tools with care. Keep cutting tools sharp and clean. Properly maintained tools, with sharp cutting edges, are less likely to bind and are easier to control.

Check for misalignment or binding of moving parts, breakage of parts, and any other condition that may affect the tool's operation. If damaged, have the tool serviced before using. Many accidents are caused by poorly maintained tools.

Use only accessories that are recommended by the manufacturer for your model. Accessories that may be suitable for one tool may become hazardous when used on another tool.

SERVICE

Tool service must be performed only by qualified repair personnel. Service or maintenance performed by unqualified personnel could result in a risk of injury.

When servicing a tool, use only identical replacement parts. Follow instructions in the “Maintenance” section of this manual. Use of unauthorized parts or failure to follow maintenance instructions may create a risk of electric shock or injury.

SPECIFIC SAFETY RULES AND SYMBOLS



SAFETY ALERT SYMBOL

This symbol is used to call your attention to hazards or unsafe practices which could result in an injury or property damage. The signal word, defined below, indicates the severity of the hazard. The message after the signal word provides information for preventing or avoiding the hazard.

⚠ DANGER

Immediate hazards which, if not avoided, **WILL** result in severe injury or death.

⚠ WARNING

Hazards which, if not avoided, **COULD** result in severe injury or death.

⚠ CAUTION

Hazards or unsafe practices which, if not avoided, **MAY** result in injury or property damage.



⚠ WARNING

Electric shock hazard:
Disconnect the cable puller from the power source before servicing.
Failure to observe this warning could result in severe injury or death.

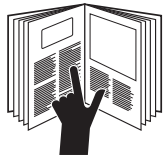
⚠ WARNING

Attach only to steel or schedule 40 PVC conduit. Do not attach to PVC conduit unless it is supported within 2" of the end.
Failure to observe this warning could result in severe injury or death.



⚠ WARNING

Do not allow anything other than the pulling rope to contact the capstan. A grip, swivel, or other component could break and strike nearby personnel with great force.
Failure to observe this warning could result in severe injury or death.



⚠ DANGER

Read and understand all of the instructions and safety information in this manual before operating or servicing this tool.

Failure to observe this warning will result in severe injury or death.



⚠ WARNING

Do not stand directly under a vertical pull. Cable could fall suddenly from the conduit, injuring nearby personnel.
Failure to observe this warning could result in severe injury or death.



⚠ DANGER

Do not operate the cable puller in a hazardous environment. Hazards include flammable liquids and gases.

Failure to observe this warning will result in severe injury or death.

SPECIFIC SAFETY RULES AND SYMBOLS

⚠ WARNING

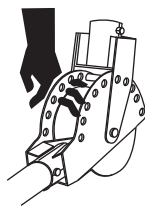
An under-rated or worn rope may break and whip violently. Use a polyester or polyester-jacketed rope with a breaking strength of 8000 pounds. Failure to observe this warning could result in severe injury or death.

⚠ WARNING

- Check the condition of the entire rope before use. A worn or damaged rope can break under tension and whip violently.
 - Do not maintain a stationary rope on a rotating capstan. The wear generated may cause the rope to break under tension and whip violently.
- Failure to observe these warnings could result in severe injury or death.

⚠ WARNING

Attach the pulling rope to the cable with appropriate types of connectors. Select connectors with a rated capacity of 2000 pounds. An under-rated connector can break under tension. Failure to observe this warning could result in severe injury or death.



⚠ WARNING

Do not put fingers through holes in elbow unit. Rotating parts may cut off fingers. Failure to observe this warning could result in severe injury or death.



⚠ WARNING

Keep hands away from the capstan. Rope at the capstan can crush a hand. Failure to observe this warning could result in severe injury or death.

⚠ WARNING



Do not wrap rope around hands, arms, waist or other body parts. Do not stand in spent coils or tailed rope. Hold rope so that it may be released quickly. Failure to observe this warning could result in severe injury or death.

⚠ WARNING

- Rope, cable, or a connecting device can break under tension, causing the rope to whip violently.
- Do not allow any unnecessary personnel to remain in the area during the pull.
 - Do not allow any personnel to stand in line with the pulling rope.
- Failure to observe these warnings could result in serious injury or death.


⚠ WARNING

Do not allow the rope to overlap on the capstan. If the rope approaches the top of the angled part of the capstan, relax the tailing force. If an overlap does occur, shut off the puller immediately. Failure to observe this warning could result in severe injury or death.

⚠ WARNING


Tipping hazard:
Lower boom tubes to completely collapsed state before transporting the cable puller. Failure to observe this warning could result in severe injury or death.

SPECIFIC SAFETY RULES AND SYMBOLS


	<p style="text-align: center;">⚠ WARNING</p> <p>Do not operate the puller without the guards in place.</p> <p>Failure to observe this warning could result in severe injury or death.</p>
---	--

<p style="text-align: center;">⚠ WARNING</p>	
<p>Entanglement hazard:</p> <ul style="list-style-type: none"> • Do not operate the cable puller while wearing loose-fitting clothing. • Retain long hair. <p>Failure to observe these warnings could result in severe injury or death.</p>	

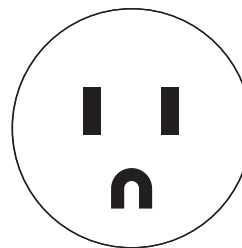
<p style="text-align: center;">⚠ WARNING</p>	
<p>Use this tool for manufacturer's intended purpose only. Do not use the cable puller as a hoist or winch.</p> <ul style="list-style-type: none"> • The cable puller cannot lower a load. • The load may fall. <p>Failure to observe this warning could result in severe injury or death.</p>	

	<p style="text-align: center;">⚠ WARNING</p> <p>Wear eye protection when using this tool.</p> <p>Failure to wear eye protection could result in severe eye injury from flying debris.</p>
---	--

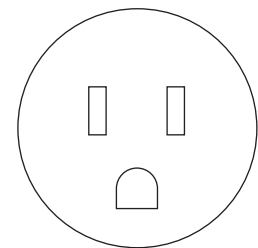
Grounding Instructions

	<p style="text-align: center;">⚠ WARNING</p> <p>Electric shock hazard:</p> <ul style="list-style-type: none"> • Do not modify the plug provided with the tool. • Connect this tool to a grounded receptacle on a 15-amp GFCI-protected circuit. <p>Failure to observe these warnings could result in severe injury or death.</p>
---	---

NEMA 5-15



Plug



Receptacle

This tool must be grounded. In the event of a malfunction or breakdown, an electrical ground provides a path of least resistance for the electric current. This path of least resistance is intended to reduce the risk of electric shock.

This tool's electric cord has a grounding conductor and a grounding plug as shown. Do not modify the plug. Connect the plug to a corresponding GFCI-protected receptacle that is properly installed and grounded in accordance with all national and local codes and ordinances.

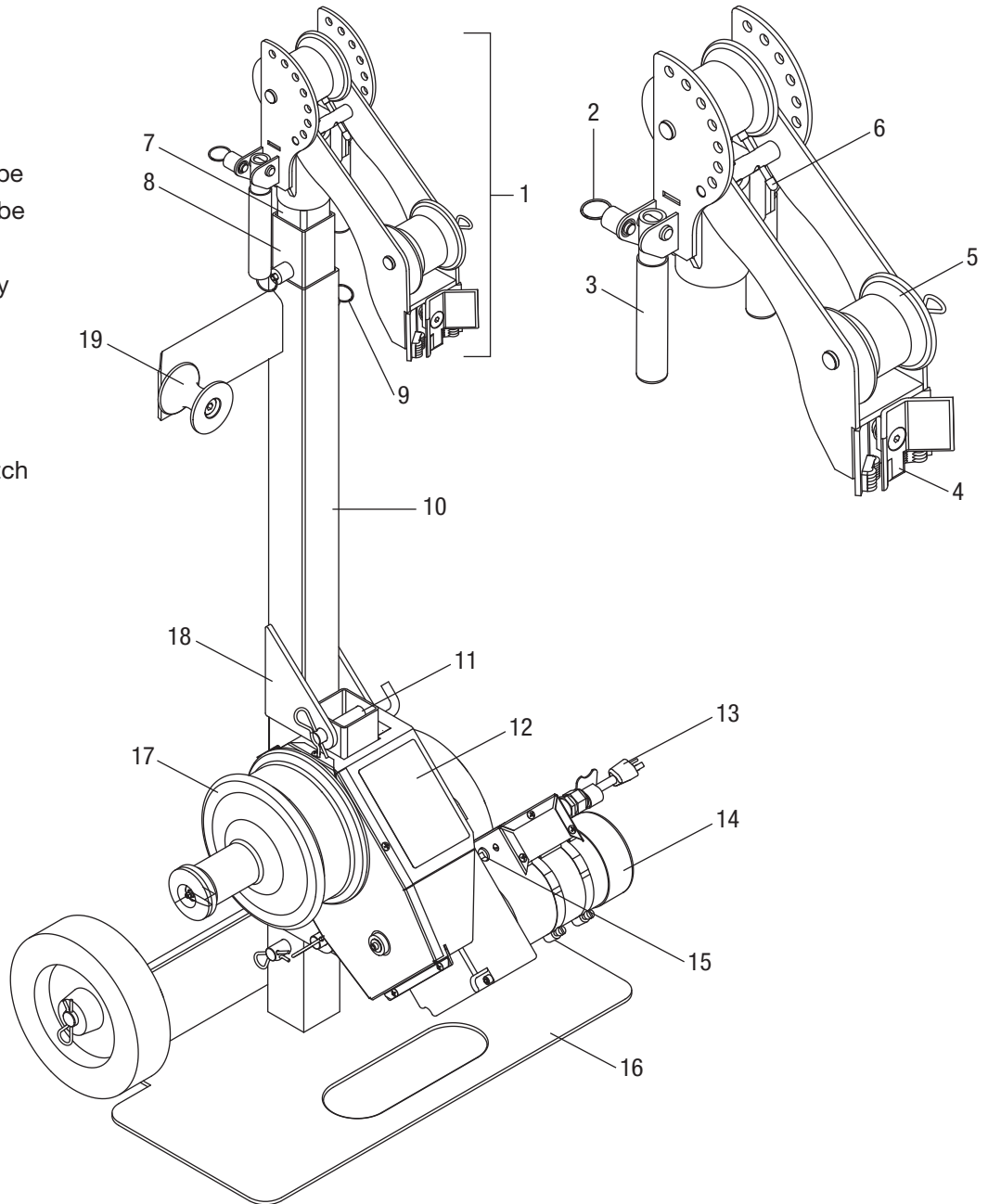
Do not use an adapter.

FUNCTIONAL DESCRIPTION

Identification

G3 Cable Pulling System

1. Nose Assembly
2. Ring Pull Detent Pin
3. Handle
4. Clamp Assembly
5. Sheave
6. Detent Pin
7. Top Extension Boom Tube
8. Mid Extension Boom Tube
9. Ring Pull Detent Pin
10. Motor Adapter Assembly
11. Hitch Clip
12. Motor Assembly
13. Power Cord
14. Motor
15. Circuit Breaker and Switch
16. Dolly Base Assembly
17. Two-Speed Capstan
18. Motor Attachment
19. Right Angle Sheave



Specifications

Weight.....	123 lb (56 kg)
Dimensions	
Length	1.4 ft (0.43 m)
Width.....	1.95 ft (0.59 m)
Height.....	4.5 ft (1.37 m)
Motor	120 VAC, 50/60 Hz, 12 amps
Speed (high)	
No Load.....	97 ft/min (30 m/min)
500 lb	59 ft/min (18 m/min)
1000 lb	36 ft/min (11 m/min)
Speed (low)	
No Load.....	41 ft/min (12 m/min)
1000 lb	21 ft/min (6 m/min)
2000 lb (intermittent – 5 min on, 20 min off).....	13 ft/min (4 m/min)
Puller Operation—Capstan	
Low Speed	5 wraps
High Speed	4 wraps
Pulling Rope	1/2" double-braided composite rope 10,000 lb average breaking strength

Planning the Pull

- Pull in a direction that will require the lowest amount of pulling force.
- Plan several shorter pulls rather than fewer longer pulls.
- Locate the puller as close to the end of the conduit as possible to minimize the amount of exposed rope under tension.
- Place each component so that the pulling forces are used effectively.
- Select an anchoring system: adapter sheaves, which are preferred, or the floor mount.
- Verify that each component has the proper load rating.
- Inspect the structural supports. Verify that they have enough strength to withstand the maximum forces that may be generated.

ASSEMBLY

Boom Assembly/Disassembly

1. Set the base of the dolly on the ground where it is flat and has a strong base structure.

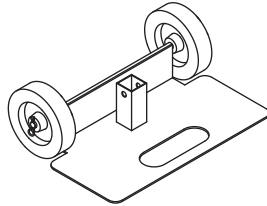


Figure 1

2. Insert the motor adapter assembly into the dolly. Make sure to insert the motor mount as shown in Figure 2. Attach and lock it with the pin.

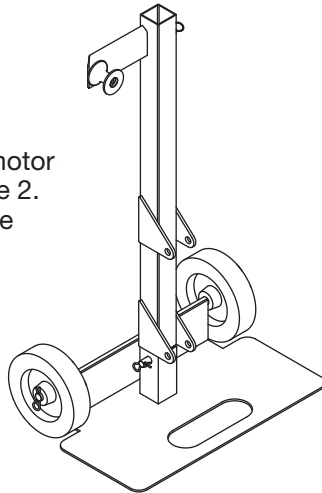


Figure 2

3. Slide in the mid extension and top extension boom tubes as shown in Figure 3. Make sure all the ring pull detent pins engage with the other tubes.

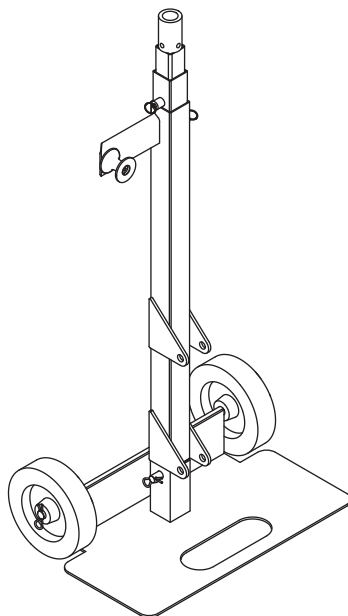


Figure 3

4. Slide the nose unit into the top extension boom tube using the ring pull detent pin.

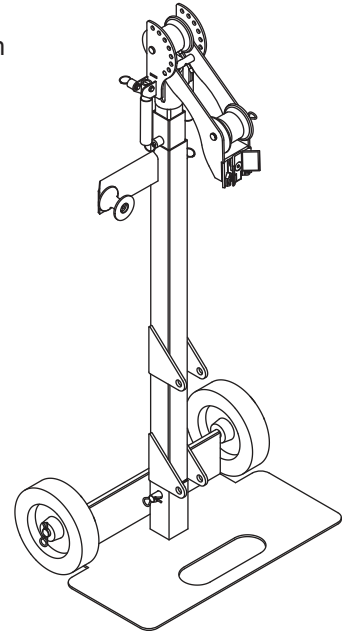


Figure 4

5. Finally, attach the motor assembly unit to the motor adapter assembly as shown in Figure 5, using two clevis pins to lock it in place.

Tip: Lay the entire assembly on the ground to make it easier to insert the motor assembly unit.

Note: Lower boom tubes to completely collapsed state as shown in Figure 5 before transporting the cable puller.

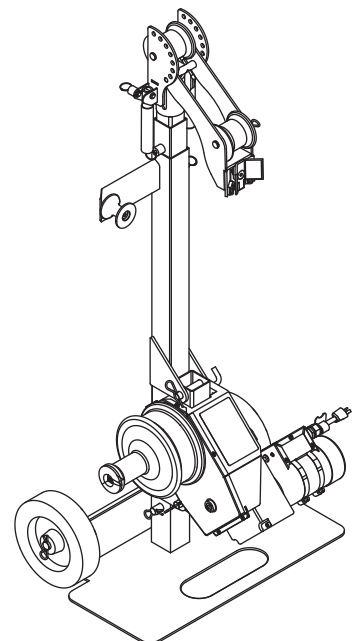
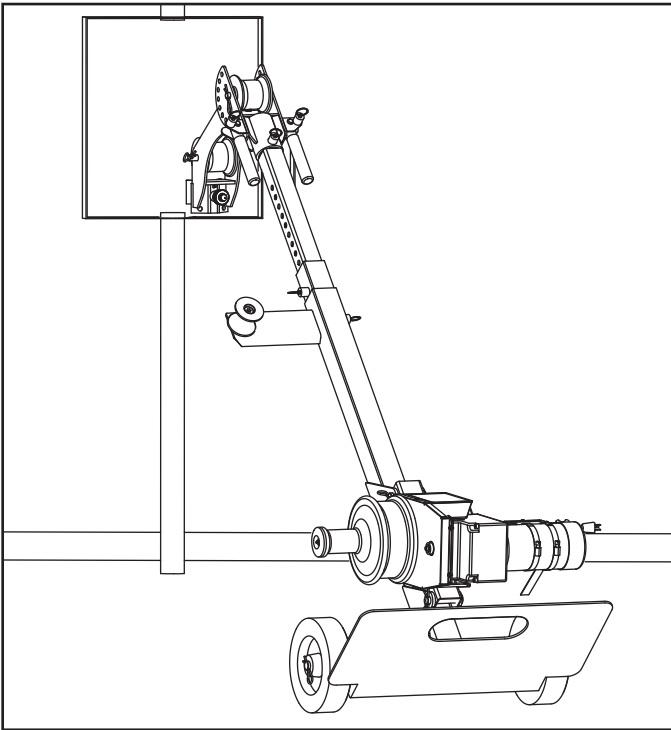


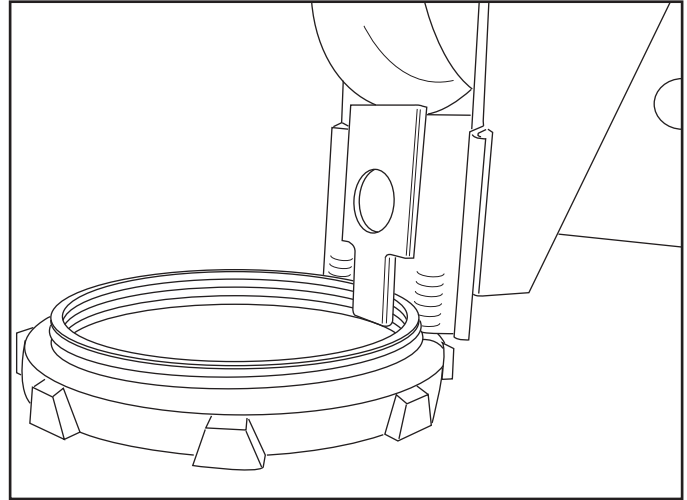
Figure 5

Boom Setup

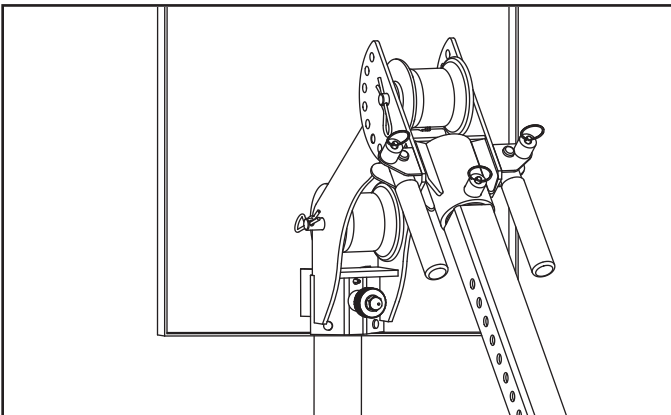
1. Place puller in approximate position of conduit.



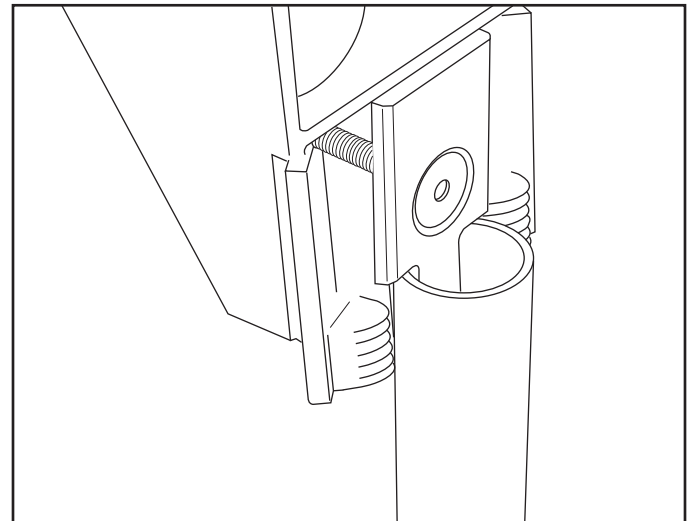
3. Butt nose up against conduit threads and conduit locking nut. Place clamping plate inside of conduit and tighten knurled nut. Take lock nut off temporarily for more thread engagement if needed.



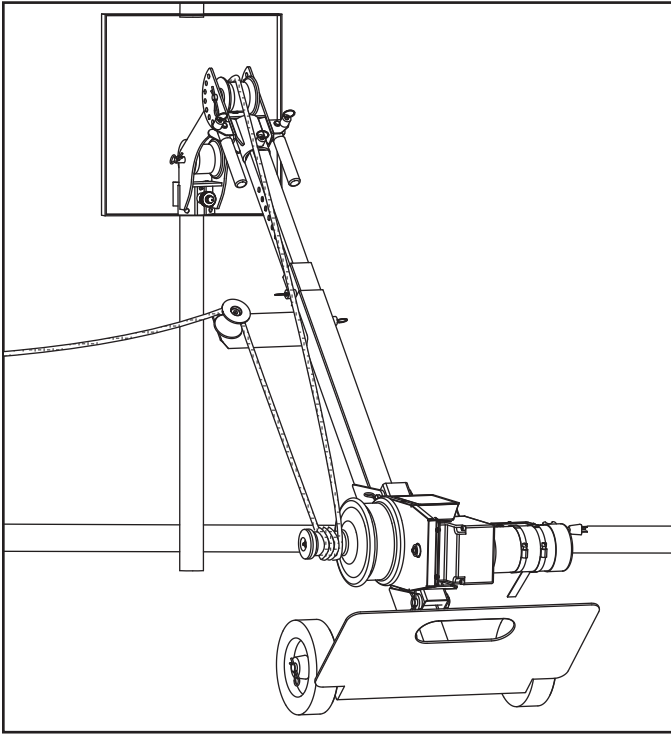
2. Align nose with conduit and lock it in place with long detent pin.



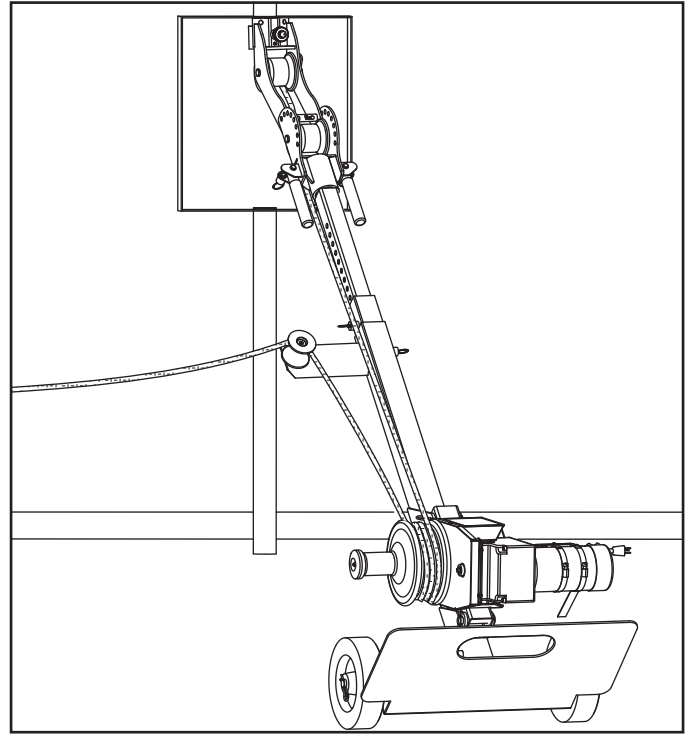
4. If the conduit is free standing or without threads, position the nose so that the conduit will butt up against the flats of the clamping plate.



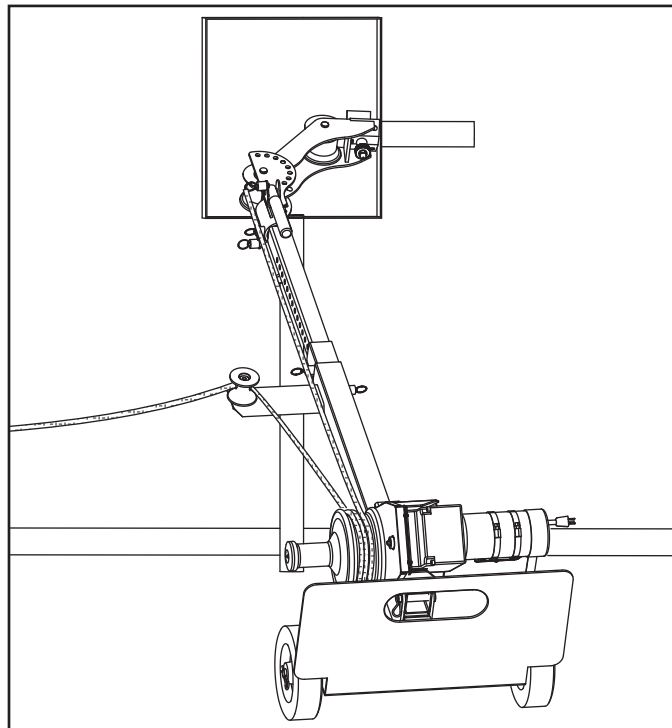
Boom Setup (cont'd)



Typical Setup for an Up Pull



Typical Setup for a Down Pull



Typical Setup for a Side Pull

OPERATION

Nose Assembly Operation

Refer to the illustration below.

1. Pull out the ring pull detent pin (1).
2. Rotate the nose assembly to the correct position for the pull.
3. Make sure the ring pull detent pin (1) is engaged with the circle tube.

Setting the Handle Height

Changing the boom tube height also changes the handle height. Refer to “Boom Operation” above for more information.

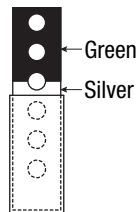
Boom Operation

Refer to the illustration below.

Raising the Boom

Make sure to raise the top extension first before raising the mid extension.

Note: When raising either extension, stop when the paint color changes from green to silver. Do not raise the extensions past the fourth hole from the end as shown here.



1. Pull out the ring pull detent pin (2).
2. Extend the top extension to the correct height.
3. Pull out the ring pull detent pin (3).
4. Extend the mid extension to the correct height.
5. Make sure the ring pull detent pins (2, 3) are engaged with the boom tubes.

Lowering the Boom

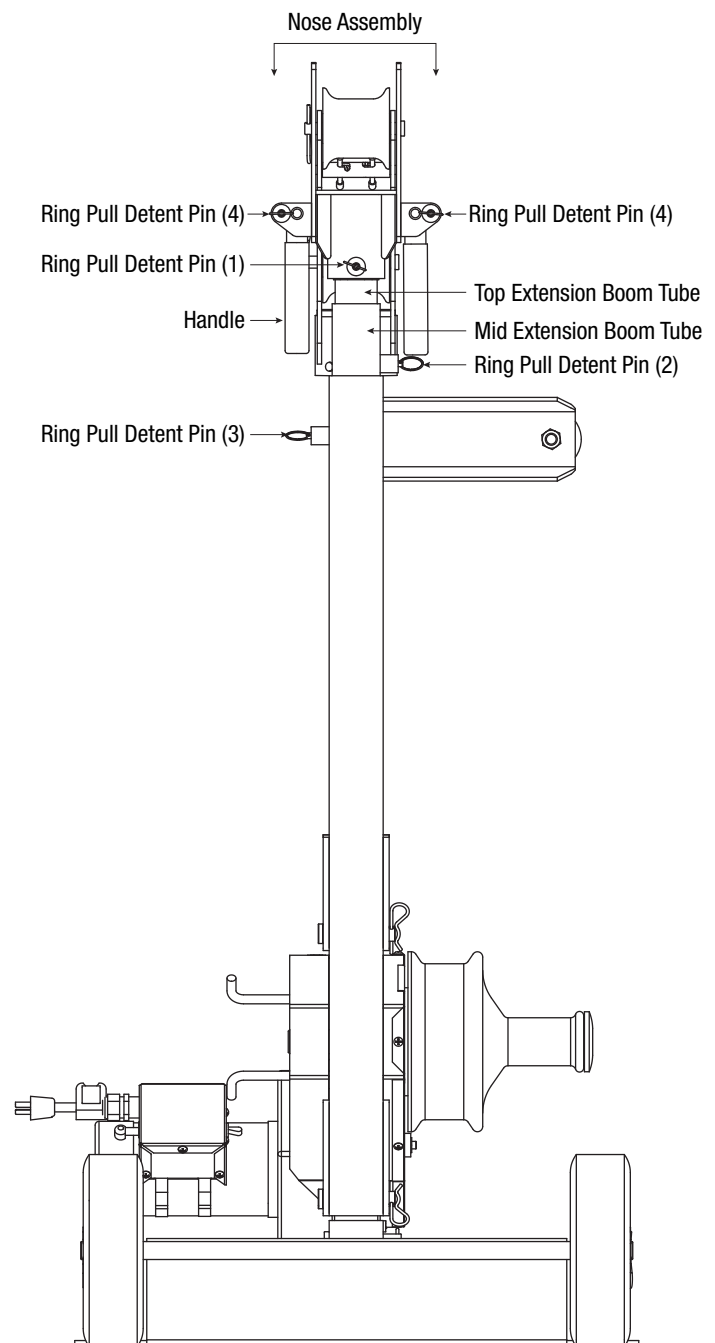
1. Hold the boom tube with one hand. Be aware of the weight.
2. Lift up the boom tube slightly and pull out the ring pull detent pin.
3. Move the boom tube to the correct height while pulling the ring pull detent pin. DO NOT allow the boom tube to drop freely.
4. When the correct height is reached, make sure the ring pull detent pin is engaged with the boom tube.

Handle Operation

Refer to the illustration below.

Rotating the Handles

1. Pull out the ring pull detent pins (4).
2. Rotate the handles to the next position.
3. Make sure the pins are engaged to the handle.

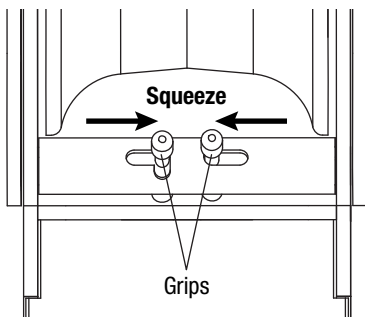


Pivoting the Elbow and Nose Units

The elbow and nose units are physically identical and can be used interchangeably. For the sake of clarity, in this manual:

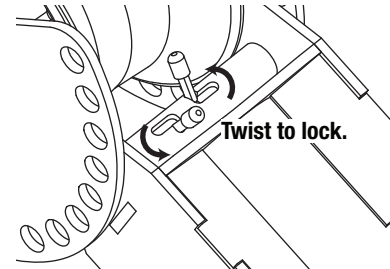
- “Nose” refers to the unit that attaches to the conduit via couplers.
- “Elbow” refers to the unit that connects the circle tubes.

The elbow/nose units pivot and lock at various degrees of rotation. They are locked in place by a detent pin set located between the sheave and the end of the boom tube receptacle. To pivot, squeeze the grips on the detent pins fully inward.



Make sure the detent pins on both sides are fully retracted before trying to pivot. Release the grips when the desired pivot angle is reached, and pivot slightly more to allow both detents to engage in the closest holes.

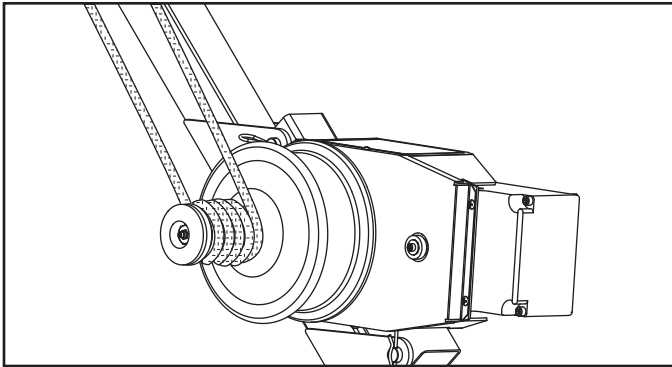
When the detent pins are squeezed to the fully inward position, they can be locked in place by twisting them counterclockwise.



Never pull cable with the detent pins locked inward; both the elbow and nose must be locked from pivoting before pulling.

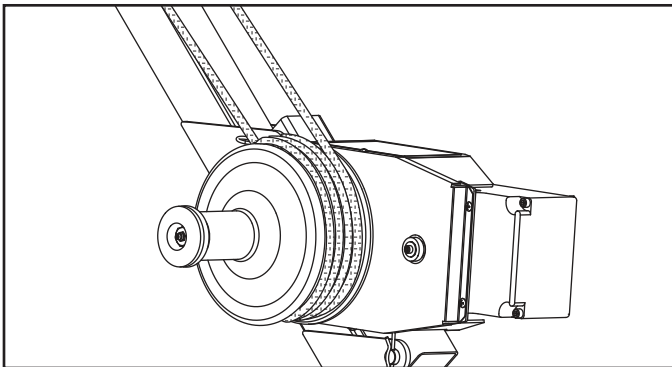
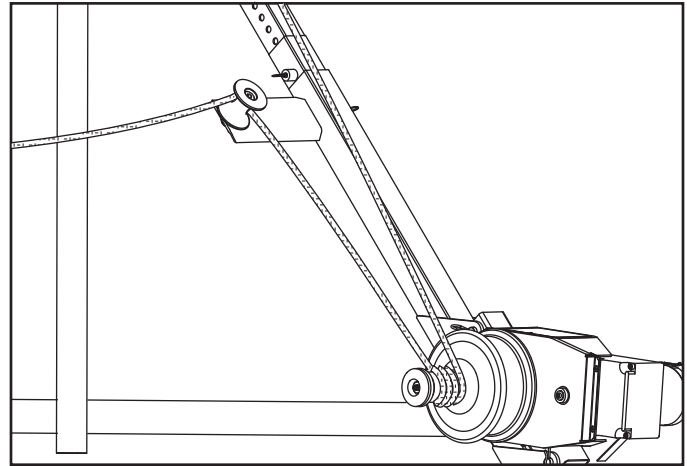
Puller Operation

After fishing the rope through the conduit, wind it around the capstan. The puller will pull at two different speeds depending on whether the rope is on the large or small diameter. To pull at the lower speed, place the rope at the inner most part of the smaller capstan diameter and wind the rope clockwise and outward. To pull faster, do the same on the large diameter section of the capstan.



Low Speed

When ready to start pulling cable, use only a few wraps of rope on the capstan at first. Using too many wraps will reduce your ability to control the rope on the capstan. Use the right angle sheave to position yourself so you are not in line with the high-tension rope in case it, the cable or the connector breaks.



High Speed

Turn on the puller and gradually apply a tailing force to the free end of the rope. If the tailing force becomes uncomfortably high, turn off the puller and add another wrap. If the rope starts climbing up the inside ramp of the capstan, ease up in the tailing force to allow it to settle down to the base diameter. If it is continually climbing up the ramp, turn off the puller and remove a wrap.

SERVICE

Tool service must be performed only by qualified repair personnel. Service or maintenance performed by unqualified personnel could result in a risk of injury.

When servicing a tool, use only identical replacement parts. Follow instructions in the “Maintenance” section of this manual. Use of unauthorized parts or failure to follow maintenance instructions may create a risk of electric shock or injury.

Maintenance

⚠ DANGER

Shut off motor and unplug unit before dismantling or servicing.

Failure to observe this warning will result in severe injury or death.

Drive Chains

Removal

Remove the 6 screws securing the chain guards. Slide out the chain guards—motor end first—and remove. Remove the bolt securing the capstan to the puller and the screw securing the drive sprocket to the motor. Remove all the washers, noting their proper order for reassembly. Pry off the drive sprocket while pulling out on the capstan unit and remove both. Pull off the drive chain. **Reassemble with the connecting link retainer facing outward.**

Wear

Check to make sure all the links pivot freely without binding. Replace the chain if any resistance is felt. Alternately load the links in tension and compression along the length to check for any perceptible free play. There should be a barely detectable amount of free play. If any joint has enough free play to be easily seen (about 1/64"), replace the chain. Always replace the entire chain, including the connecting link as a whole unit.

Lubrication

Lubricate the drive chains after every 40 hours of operation. Lubricate between the chain plates from the inside of the loop with any high quality chain lube or an 80W–90W gear oil.

Adjustment

Loosen the 4 screws securing the motor. Push the motor away from the capstan while retightening the motor screws.

Capstan

Removal

See drive chain removal.

Wear

Check for wear on the outside of the capstan. If the rope has worn a groove on the 2" diameter portion of the capstan, replace it. Check for bearing wear. If the brass bearing ID exceeds 1.020" or if there is visible radial free play between the capstan and shaft, replace the capstan and bearing assembly.

Lubrication

Lubricate the capstan shaft after every 20 hours of operation. Liberally apply a multipurpose NLGI grade 2 grease to the capstan shaft and bearing.

Adjustment

If the capstan or puller frame is replaced, adjust the axial free play to less than 1/32". Assemble the inner thrust washers and capstan to the frame without the chain. Attach with the bolt and retaining flat washer. If the capstan binds, add 52023123 shim washers one at a time until it rotates freely. If it has more than 1/32" of axial free play, add 50179160 fiber washers to set the free play at less than 1/32".

Motor

Commutator Brushes

Check the commutator brushes after every 40 hours of operation. Remove the motor brush caps and brushes. Measure the brush lengths. If length of either brush is less than 3/8", replace both brushes.

Other

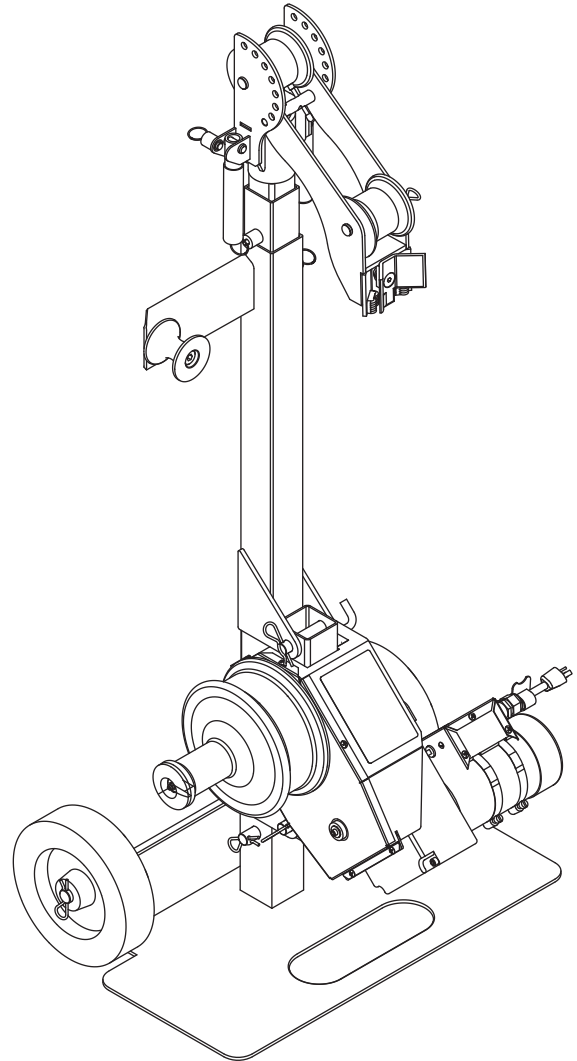
Anti-Reverse Pawl

Check that the pawl pivots freely on its shaft. Clean any rust or debris from the shaft or pawl bore.

MANUAL DE INSTRUCCIONES



Sistema G3 Tugger[®]



Lea y comprenda todas las instrucciones e información de seguridad en este manual antes de operar o dar servicio a esta herramienta.

Registre este producto en www.greenlee.com

Índice

Descripción	18
Seguridad	18
Objetivo de este manual.....	18
Reglas generales de seguridad	19
Símbolos y reglas de seguridad específicos.....	20-22
Instrucciones de conexión a tierra	22
DESCRIPCIÓN FUNCIONAL	
Identificación	23
Especificaciones.....	24
Planificación de la tracción.....	24
ENSAMBLAJE	
Ensamblaje/desmontaje de pluma	25
Instalación de pluma.....	26-27
Instalación típica para una tracción hacia arriba	27
Instalación típica para una tracción hacia abajo.....	27
Instalación típica para una tracción de lado	27
OPERACIÓN	
Operación de ensamble de boquilla.....	28
Operación de la pluma	28
Operación de manija.....	28
Giro de las unidades de boquilla y codo	29
Operación del traccionador	30
SERVICIO	
Mantenimiento	31
LISTAS DE PARTES E ILUSTRACIONES	
Sistema de tracción de cables G3 Tugger®	49
Conjunto de la cabeza.....	50
Carro móvil	50
Ensamblaje del motor.....	51-52

Descripción

El sistema de tracción de cables Greenlee G3 Tugger® está pensado para jalar cables por medio de un conducto para aplicaciones de trabajo ligero.

Seguridad

La seguridad es esencial para el uso y el mantenimiento de las herramientas y los equipos de Greenlee. Este manual de instrucciones y cualquier marca en la herramienta brinda información para evitar peligros y prácticas no seguras relacionadas con el uso de esta herramienta. Observe toda la información de seguridad proporcionada.

Objetivo de este manual

La finalidad de este manual es familiarizar a todo el personal con los procedimientos de mantenimiento y operación segura del sistema de tracción de cables Greenlee G3 Tugger®.

Mantenga este manual al alcance de todo el personal.

Los manuales de reemplazo se encuentran disponibles a pedido y sin costo en www.greenlee.com.

Todas las especificaciones son nominales y pueden cambiar a medida que surjan mejoras en el diseño. Greenlee Tools, Inc. no será responsable de los daños que resulten de la mala aplicación o el mal uso de estos productos.

G3 Tugger es una marca comercial registrada de Greenlee Tools, Inc.

® Registrado: El color verde del equipo de tracción de cables es una marca comercial registrada de Greenlee Tools, Inc.

CONSERVE ESTE MANUAL

REGLAS GENERALES DE SEGURIDAD

¡ADVERTENCIA! Lea y comprenda todas las instrucciones. No seguir todas las instrucciones indicadas a continuación puede ocasionar una descarga eléctrica y/o lesiones personales graves.

GUARDE ESTAS INSTRUCCIONES

SEGURIDAD EN EL ÁREA DE TRABAJO

Mantenga su área de trabajo limpia y bien iluminada. Las bancas abarrotadas y las áreas oscuras invitan a que sucedan accidentes.

No haga funcionar las herramientas eléctricas en atmósferas explosivas, como por ejemplo, en presencia de líquidos, gases o polvo inflamables. Las herramientas eléctricas generan chispas que pueden encender el polvo o los gases.

Mantenga a los transeúntes, niños y visitantes lejos mientras hace funcionar una herramienta eléctrica. Las distracciones pueden causar que pierda el control.

SEGURIDAD ELÉCTRICA

Las herramientas conectadas a tierra deben estar enchufadas a un tomacorriente adecuadamente instalado y conectado a tierra según los códigos y ordenanzas. Nunca retire la punta de conexión a tierra ni modifique el enchufe de ninguna manera. No utilice enchufes adaptadores. Verifique con un electricista calificado si tiene dudas acerca de si el tomacorriente está instalado a tierra adecuadamente. Si las herramientas presentaran un defecto eléctrico o se descomposieran, el sistema de puesta a tierra provee un trayecto de baja resistencia para llevar la electricidad lejos del usuario.

Evite el contacto con superficies conectadas a tierra como tuberías, radiadores, estufas y refrigeradoras. Existe un riesgo incrementado de descarga eléctrica si su cuerpo está en tierra.

No exponga las herramientas eléctricas a la lluvia o a condiciones húmedas. Si el agua tiene contacto con una herramienta eléctrica, esto incrementa el riesgo de descarga eléctrica.

No maltrate el cable. Nunca utilice el cable para llevar las herramientas o para desenchufarlas de un tomacorriente. Mantenga el cable alejado del calor, aceite, bordes afilados o piezas móviles. Reemplace los cables dañados inmediatamente. Los cables dañados incrementan el riesgo de descarga eléctrica.

Al operar una herramienta eléctrica en el exterior, utilice una extensión para exteriores marcada con “W-A” o “W”. Estos cables están clasificados para uso en el exterior y reducen el riesgo de descarga eléctrica.

SEGURIDAD PERSONAL

Manténgase alerta, observe lo que está haciendo y actúe con sentido común al operar una herramienta eléctrica. No utilice la herramienta al sentirse cansado o bajo la influencia de drogas, alcohol o medicamentos. Un momento de falta de atención al operar una herramienta eléctrica puede ocasionar una grave lesión personal.

Vista adecuadamente. No use ropa suelta o joyería. Amarre el cabello largo. Mantenga su cabello, ropa y guantes alejados de piezas móviles. La ropa suelta, joyería o cabello largo puede atrascarse en las piezas móviles.

Evite el encendido accidental. Asegúrese de que el interruptor esté apagado antes de conectar. Portar herramientas con el dedo en el interruptor o conectar herramientas con el interruptor encendido invita a que sucedan accidentes.

Retire las llaves de ajuste o los interruptores antes de encender la herramienta. Una llave de tuercas o ajuste que se deje puesta en una pieza rotativa de la herramienta puede ocasionar una lesión personal.

No fuerce la herramienta. Mantenga un balance y una posición adecuada en todo momento. El balance y la posición adecuada permite un mejor control de la herramienta en situaciones inesperadas.

Utilice equipo de seguridad. Siempre utilice protección para los ojos. Se debe utilizar mascarilla, zapatos de seguridad antideslizantes, casco de seguridad o protección auditiva para estar en condiciones adecuadas.

CUIDADO Y USO DE LA HERRAMIENTA

Utilice abrazaderas u otra forma práctica de asegurar y sostener la pieza de trabajo en una plataforma estable. Realizar el trabajo a mano o contra su cuerpo no es estable y puede conllevar a perder el control.

No fuerce la herramienta. Utilice la herramienta correcta para su aplicación. La herramienta correcta realizará un trabajo mejor y más seguro al ritmo para el que fue diseñada.

No utilice la herramienta si el interruptor no la enciende o apaga. Toda herramienta que no pueda ser controlada con el interruptor es peligrosa y debe repararse.

Desconecte el enchufe de la fuente de alimentación antes de hacer algún ajuste, cambiar accesorios o guardar la herramienta. Dichas medidas de seguridad reducen el riesgo de encender la herramienta accidentalmente.

Guarde las herramientas inactivas fuera del alcance de los niños y demás personas no capacitadas. Las herramientas son peligrosas en manos de personas no capacitadas.

Mantenga las herramientas con cuidado. Conserve las herramientas de corte limpias y afiladas. Las herramientas con adecuado mantenimiento, y bordes afilados y limpios tienen una menor probabilidad de trabarse y son más fáciles de controlar.

Verifique si existe una desalineación o atasco de las piezas móviles, una rotura de piezas y toda condición que pueda afectar el funcionamiento de la herramienta. Si se daña, haga reparar la herramienta antes de usarla. Muchos accidentes tienen su origen en herramientas sin mantenimiento adecuado.

Utilice únicamente los accesorios recomendados por el fabricante de su modelo. Los accesorios que pueden ser adecuados para una herramienta pueden ser peligrosos al usarse en una herramienta distinta.

SERVICIO

El servicio técnico de herramientas debe realizarse únicamente por personal técnico calificado. El servicio técnico o mantenimiento realizado por personal no calificado puede producir un riesgo de lesión.

Al realizar un mantenimiento de una herramienta, utilice únicamente repuestos idénticos. Siga las instrucciones en la sección de “Mantenimiento” de este manual. El uso de piezas no autorizadas o no cumplir con las instrucciones de mantenimiento puede conllevar a un riesgo de descarga eléctrica o lesión.

SÍMBOLOS Y REGLAS DE SEGURIDAD ESPECÍFICOS



SÍMBOLO DE ALERTA DE SEGURIDAD

Este símbolo se utiliza para llamar su atención ante riesgos o prácticas no seguras que podrían dar como resultado una lesión o daño a la propiedad. La palabra de advertencia, que se define a continuación, indica la gravedad del riesgo. El mensaje después de la palabra de advertencia brinda información para prevenir y evitar el riesgo.

⚠ PELIGRO

Riesgos inmediatos que, si no se los evita, DARÁN como resultado lesiones graves o la muerte.

⚠ ADVERTENCIA

Riesgos que, si no se los evita, PODRÍAN resultar en lesiones graves o la muerte.

⚠ ATENCIÓN

Riesgos o prácticas no seguras que, si no se las evita, PUEDEN resultar en lesiones o daños a la propiedad.



⚠ ADVERTENCIA

Peligro de descarga eléctrica:
Desconecte el traccionador de cables de la fuente de alimentación antes de dar mantenimiento.
No observar esta advertencia podría resultar en lesiones graves o la muerte.

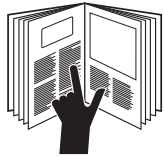
⚠ ADVERTENCIA

Conecte únicamente a un conducto de acero o PVC cédula 40. No conecte a un conducto de PVC a menos que tenga un soporte a 2 in del final.
No observar esta advertencia podría resultar en lesiones graves o la muerte.



⚠ ADVERTENCIA

No permita que un elemento distinto a la cuerda de tracción tenga contacto con el cabrestante.
Una agarraderas, grillete giratorio u otro componente podría romperse y caer cerca al personal con gran fuerza.
No observar esta advertencia podría resultar en lesiones graves o la muerte.



⚠ PELIGRO

Lea y comprenda todas las instrucciones y la información de seguridad de este manual antes de operar o reparar esta herramienta.

No cumplir con esta advertencia tendrá como resultado lesiones graves o la muerte.



⚠ ADVERTENCIA

No se pare directamente bajo el tirador vertical. El cable podría caer repentinamente del conducto y causar lesiones al personal cercano.
No observar esta advertencia podría resultar en lesiones graves o la muerte.



⚠ PELIGRO

No opere el traccionador de cables en un ambiente peligroso. Los peligros incluyen líquidos y gases inflamables.

No cumplir con esta advertencia tendrá como resultado lesiones graves o la muerte.

SÍMBOLOS Y REGLAS DE SEGURIDAD ESPECÍFICOS

⚠ ADVERTENCIA

Una cuerda gastada o con clasificación distinta puede romperse y azotar con violencia. Utilice una cuerda de poliéster o con forro de poliéster con una resistencia a la rotura de 8.000 libras.

No observar esta advertencia podría resultar en lesiones graves o la muerte.

⚠ ADVERTENCIA

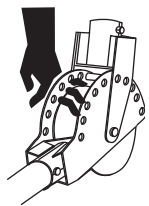
- Verifique la condición de toda la cuerda antes de uso. Una cuerda gastada o dañada puede romperse por la tensión y azotar con violencia.
- No mantenga una cuerda inmóvil en un cabrestante rotativo. El desgaste generado puede provocar que la cuerda se rompa por la tensión y azotar con violencia.

No observar esta advertencia podría resultar en lesiones graves o la muerte.

⚠ ADVERTENCIA

Conecte la cuerda de tracción al cable con los tipos de conectores adecuados. Seleccione conectores con una capacidad clasificada de 2.000 libras. Un conector con clasificación menor puede romperse por la tensión.

No observar esta advertencia podría resultar en lesiones graves o la muerte.



⚠ ADVERTENCIA

No coloque los dedos en los agujeros de la unidad de codo. Las piezas rotativas pueden amputar dedos.

No observar esta advertencia podría resultar en lesiones graves o la muerte.



⚠ ADVERTENCIA

Mantenga las manos alejadas del cabrestante. La cuerda en el cabrestante puede aplastar una mano.

No observar esta advertencia podría resultar en lesiones graves o la muerte.

⚠ ADVERTENCIA



No envuelva sus manos, brazos, cintura u otra parte del cuerpo con la cuerda. No se pare sobre bobinas gastadas o extremos de cuerda. Sostenga la cuerda para que se pueda liberar rápidamente.

No observar esta advertencia podría resultar en lesiones graves o la muerte.

⚠ ADVERTENCIA

Una cuerda, cable o dispositivo de conexión puede romperse por tensión, lo que provocaría que la cuerda azote con violencia.

- No permita que el personal que no sea necesario se quede en el área durante la tracción.
- No permita que el persona se pare en línea con la cuerda de tracción.

No observar estas advertencias podría resultar en lesiones graves o la muerte.

⚠ ADVERTENCIA

No permita que la cuerda se sobreponga en el cabrestante. Si la cuerda se acerca a la sección más alta de la parte angulada del cabrestante, disminuya la fuerza de extensión. Si se produce una superposición, apague la máquina inmediatamente.

No observar esta advertencia podría resultar en lesiones graves o la muerte.

⚠ ADVERTENCIA

Peligro de volcadura:

Contraiga los tubos de pluma totalmente antes de transportar el traccionador de cables.

No observar esta advertencia podría resultar en lesiones graves o la muerte.

SÍMBOLOS Y REGLAS DE SEGURIDAD ESPECÍFICOS


	<p>⚠ ADVERTENCIA</p>
	<p>No opere el traccionador sin los dispositivos de seguridad en su lugar. No observar esta advertencia podría resultar en lesiones graves o la muerte.</p>

<p>⚠ ADVERTENCIA</p>
<p>Riesgo de entrelazamiento:</p> <ul style="list-style-type: none"> • No opere el traccionador de cables al usar ropa suelta. • Amarre el cabello largo. <p>No observar estas advertencias podría resultar en lesiones graves o la muerte.</p>

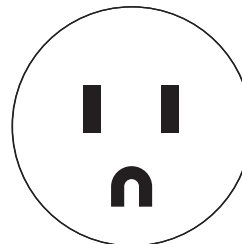
<p>⚠ ADVERTENCIA</p>
<p>Utilice esta herramienta solo para los fines establecidos por el fabricante. No utilice el traccionador de cables como elevador o cabrestante.</p> <ul style="list-style-type: none"> • El traccionador de cables no puede bajar una carga. • La carga podría caer. <p>No observar esta advertencia podría resultar en lesiones graves o la muerte.</p>

	<p>⚠ ADVERTENCIA</p>
	<p>Utilice protección para los ojos al operar esta herramienta. No utilizar protección para los ojos podría dar como resultado lesiones graves en los ojos por residuos en el aire.</p>

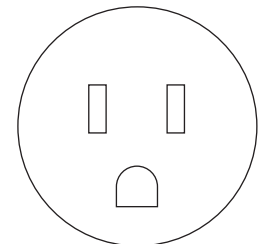
Instrucciones de conexión a tierra

	<p>⚠ ADVERTENCIA</p>
	<p>Peligro de descarga eléctrica:</p> <ul style="list-style-type: none"> • No modifique el enchufe provisto con la herramienta. • Conecte esta herramienta a un receptáculo conectado a tierra en un circuito con protección GFCI de 15 amp. <p>No observar estas advertencias podría resultar en lesiones graves o la muerte.</p>

NEMA 5-15



Enchufe



Receptáculo

Esta herramienta debe estar conectada a tierra. En caso de funcionamiento defectuoso o avería, el sistema de puesta a tierra provee un trayecto de mínima resistencia para la corriente eléctrica. Este trayecto de mínima resistencia tiene el fin de reducir el riesgo de descarga eléctrica.

El cable de esta herramienta eléctrica tiene un conductor y un enchufe de conexión a tierra como se muestra. No modifique el enchufe. Conecte el enchufe a un receptáculo con protección GFCI correspondiente que esté adecuadamente instalado y conectado a tierra según todo código y ordenanza local y nacional.

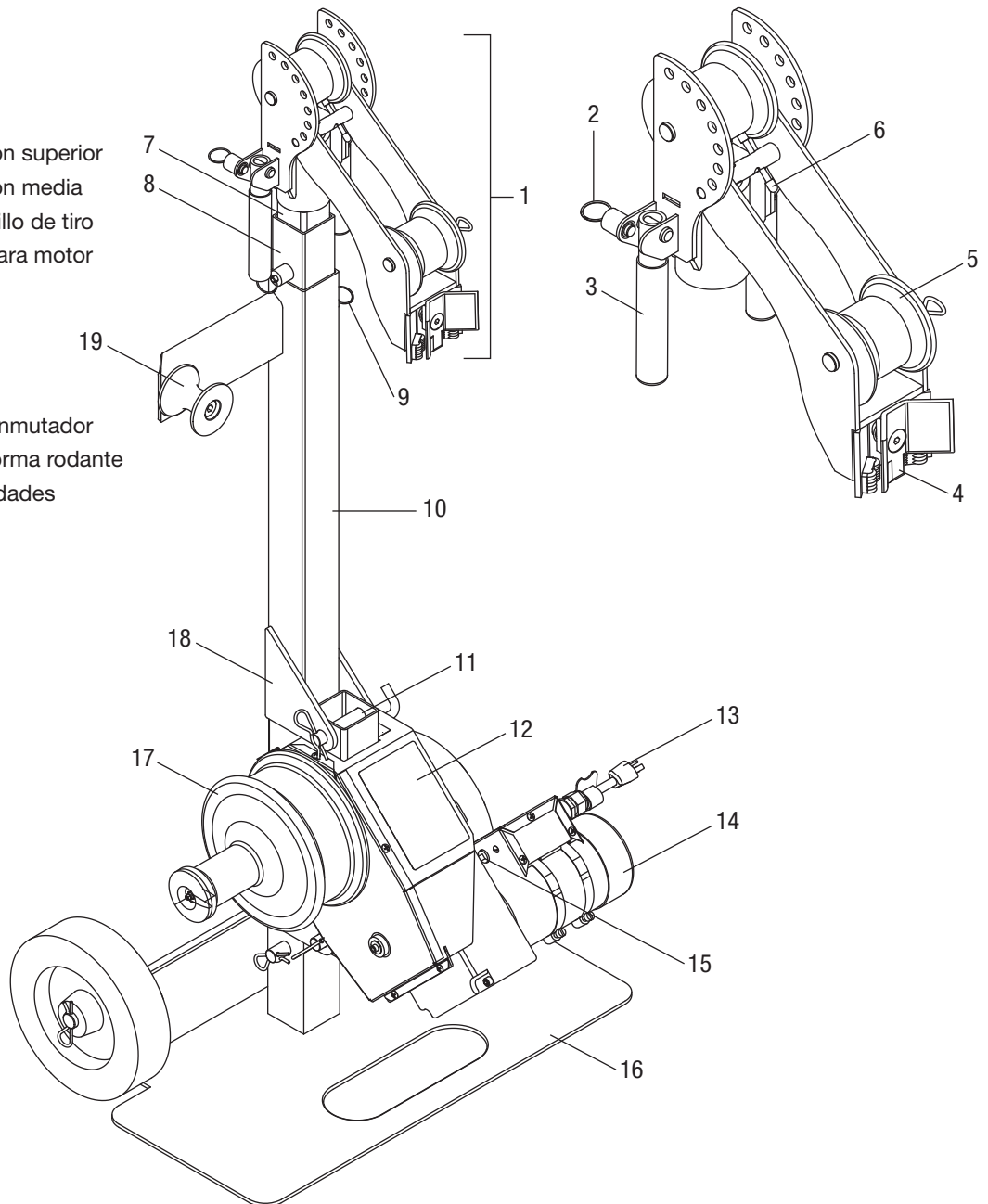
No use un adaptador.

DESCRIPCIÓN FUNCIONAL

Identificación

Sistema de tracción de cables G3

1. Ensamble de boquilla
2. Perno de retención con anillo de tiro
3. Manija
4. Conjunto de abrazadera
5. Polea
6. Perno retenedor
7. Tubo de pluma de extensión superior
8. Tubo de pluma de extensión media
9. Perno de retención con anillo de tiro
10. Ensamble del adaptador para motor
11. Gancho de ajuste
12. Sistema de motor
13. Cable alimentador
14. Motor
15. Interruptor de circuito y conmutador
16. Conjunto de base y plataforma rodante
17. Cabrestante de dos velocidades
18. Fijación del motor
19. Polea de ángulo recto



Especificaciones

Peso.....	123 lb (56 kg)
Dimensiones	
Longitud.....	1,4 ft (0,43 m)
Anchura.....	1,95 ft (0,59 m)
Altura.....	4,5 ft (1,37 m)
Motor	120 VCA, 50/60 Hz, 12 amps
Velocidad (alta)	
Sin carga.....	97 ft/min (30 m/min)
500 lb	59 ft/min (18 m/min)
1.000 lb	36 ft/min (11 m/min)
Velocidad (baja)	
Sin carga.....	41 ft/min (12 m/min)
1.000 lb	21 ft/min (6 m/min)
2.000 lb (intermitente – 5 min encendido, 20 min apagado)	13 ft/min (4 m/min)
Operación de tracción—Cabrestante	
Velocidad baja	5 vueltas
Velocidad alta	4 vueltas
Cuerda de tracción.....	Cuerda compuesta de doble trenzado de 1/2 in con resistencia a la rotura promedio de 10.000 lb

Planificación de la tracción

- Jale en una dirección que requiera la menor cantidad de fuerza de tracción.
- Planifique varias tracciones cortas que menos tracciones largas.
- Localice el traccionador tan cerca al final del conducto como sea posible para minimizar la cantidad de cuerda expuesta a la tensión.
- Coloque cada componente de manera que las fuerzas de tracción se utilicen eficazmente.
- Seleccione un sistema de anclaje: poleas de adaptador, que se prefieren, o el montaje para piso.
- Verifique que cada componente tenga la clasificación de carga adecuada.
- Inspeccione los soportes estructurales. Verifique que tengan suficiente resistencia para tolerar las fuerzas máximas que puedan generarse.

ENSAMBLAJE

Ensamblaje/desmontaje de pluma

1. Coloque la base de la plataforma rodante en el suelo con superficie plana y con una estructura de base resistente.

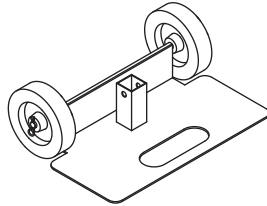


Figura 1

2. Inserte el ensamble del adaptador para motor en la plataforma rodante. Asegúrese de insertar el montaje del motor como se muestra en la Figura 2. Conecte y asegure con el perno.

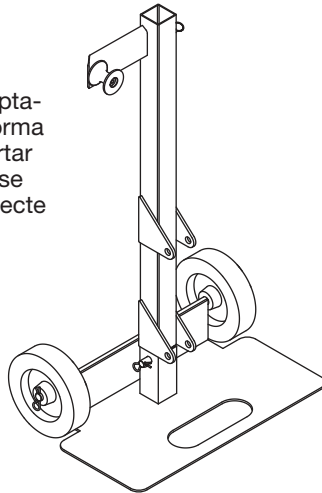


Figura 2

3. Deslice los tubos de pluma de extensión superior y media como se muestra en la Figura 3. Asegúrese de que todos los pernos de retención con anillo de tiro se acoplen con los demás tubos.

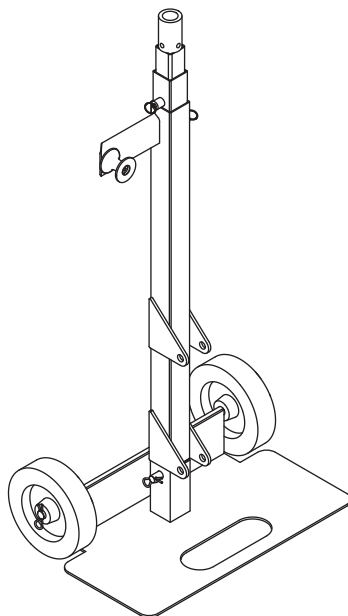


Figura 3

4. Deslice la unidad de la boquilla en el tubo de pluma de extensión superior usando el perno de retención con anillo de tiro.

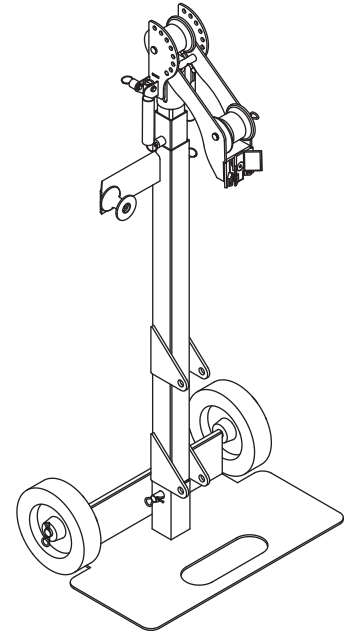


Figura 4

5. Finalmente, conecte la unidad del sistema de motor con el ensamble del adaptador para motor como se muestra en la Figura 5, usando dos pasadores de horquilla para asegurarlo en su lugar.

Consejo: Coloque todo el conjunto en el suelo para facilitar la inserción de la unidad del sistema de motor.

Nota: Contraiga los tubos de pluma totalmente como se muestra en la Figura 5 antes de transportar el traccionador de cables.

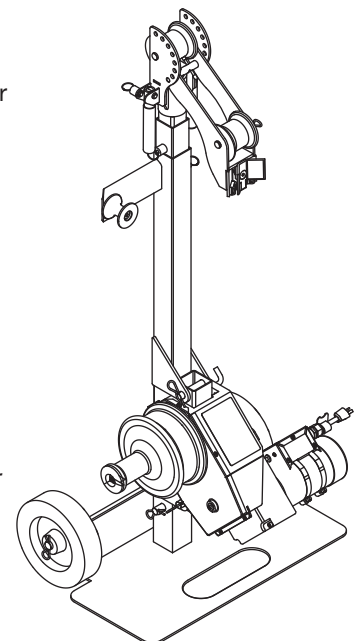
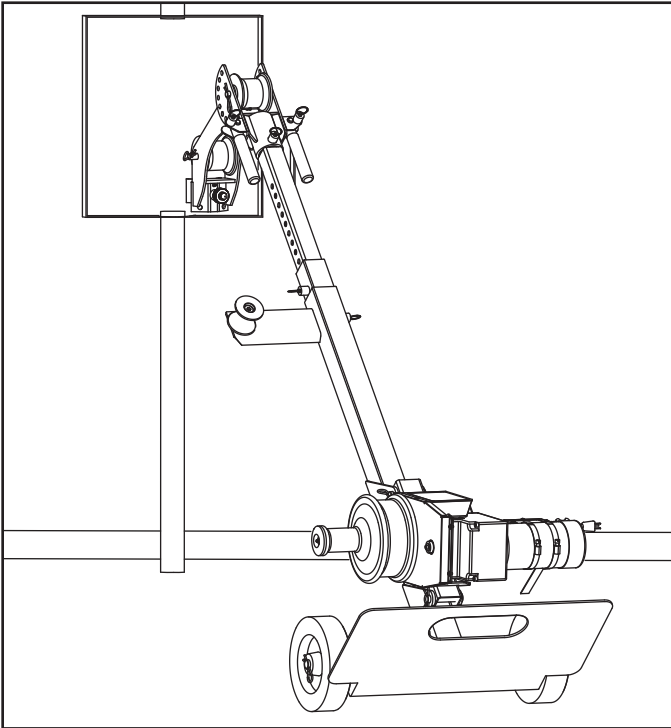


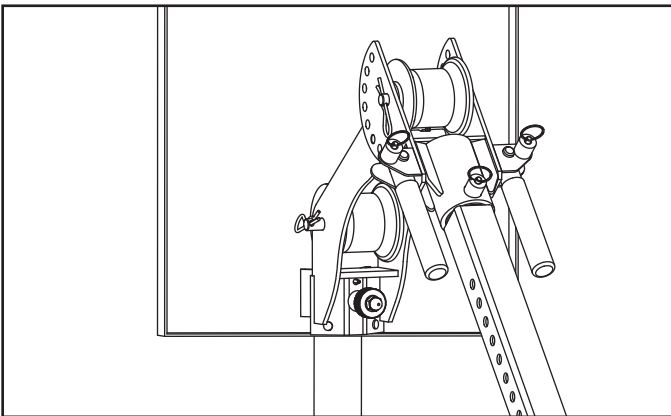
Figura 5

Instalación de pluma

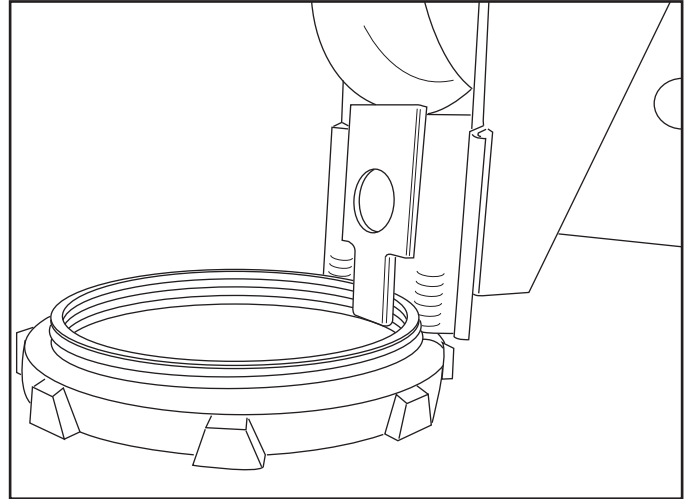
1. Coloque el traccionador en posición cercana al conducto.



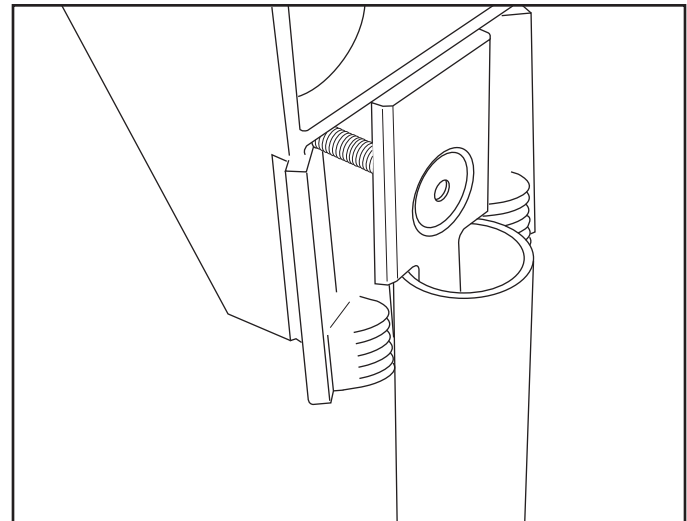
2. Nivele la boquilla con el conducto y asegúrelo en su lugar con un perno de retención largo.



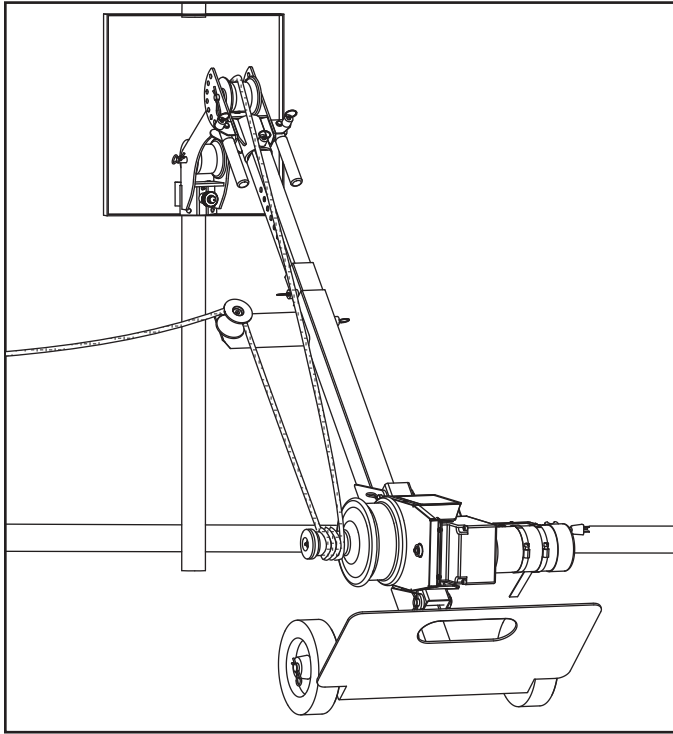
3. Empuje a tope la boquilla en la rosca del conducto y tuerca de seguridad del conducto. Coloque la placa de la abrazadera dentro del conducto y ajuste la tuerca estriada. Retire la tuerca temporalmente para un mejor ajuste de roscas de requerirse.



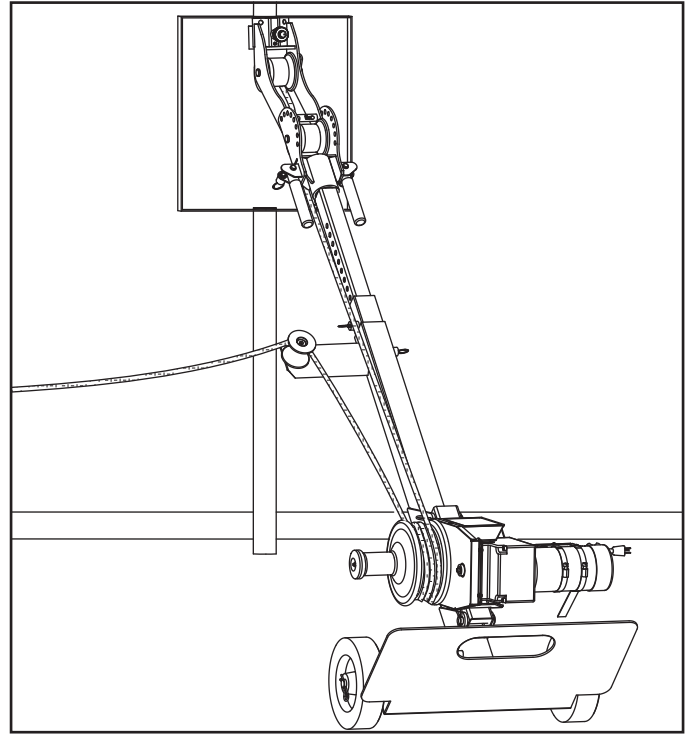
4. Si el conducto es autónomo o no tiene roscas, coloque la boquilla para que el conducto empuje a tope las superficies planas de la placa de la abrazadera.



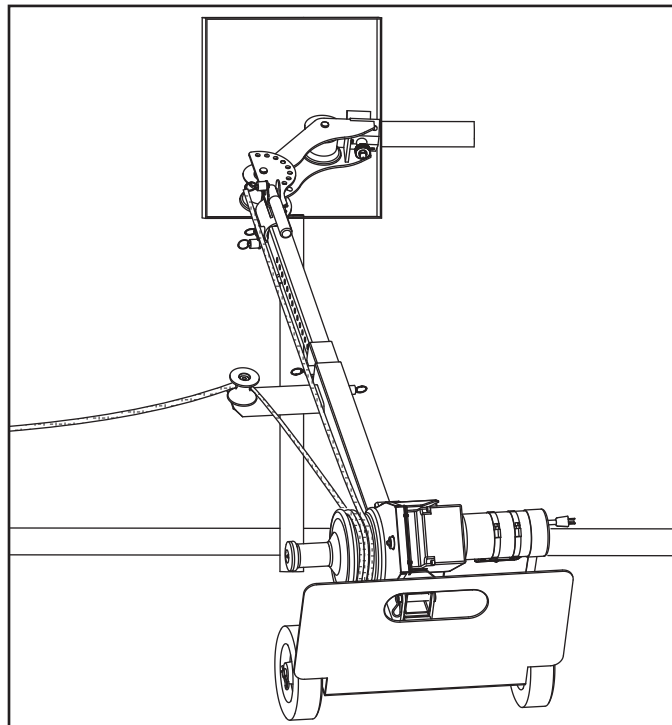
Instalación de pluma (cont.)



Instalación típica para una tracción hacia arriba



Instalación típica para una tracción hacia abajo



Instalación típica para una tracción de lado

OPERACIÓN

Operación de ensamble de boquilla

Observe la ilustración en la parte inferior.

1. Retire el perno de retención con anillo de tiro (1).
2. Rote el ensamble de boquilla a la posición correcta para la tracción.
3. Asegúrese de que el perno de retención con anillo de tiro (1) se acople con el tubo circular.

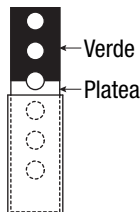
Operación de la pluma

Observe la ilustración en la parte inferior.

Elevar la pluma

Asegúrese de elevar la extensión superior primero antes de elevar la extensión media.

Nota: Al elevar cualquier extensión, deténgase cuando el color de pintura cambie de verde a plateado. No eleve las extensiones después del cuarto hoyo desde el final, como se muestra aquí.



1. Retire el perno de retención con anillo de tiro (2).
2. Extienda la extensión superior a la altura adecuada.
3. Retire el perno de retención con anillo de tiro (3).
4. Extienda la extensión media a la altura adecuada.
5. Asegúrese de que los pernos de retención con anillo de tiro (2, 3) se acoplen con los tubos de pluma.

Bajar la pluma

1. Sostenga el tubo de pluma con una mano. Tenga en cuenta la altura.
2. Levante el tubo de pluma ligeramente y retire el perno de retención con anillo de tiro.
3. Mueva el tubo de pluma a la altura correcta mientras retira el perno de retención con anillo de tiro. NO permita que el tubo de pluma caiga libremente.
4. Cuando se alcance la altura adecuada, asegúrese de que el perno de retención con anillo de tiro esté acoplado con el tubo de pluma.

Operación de manija

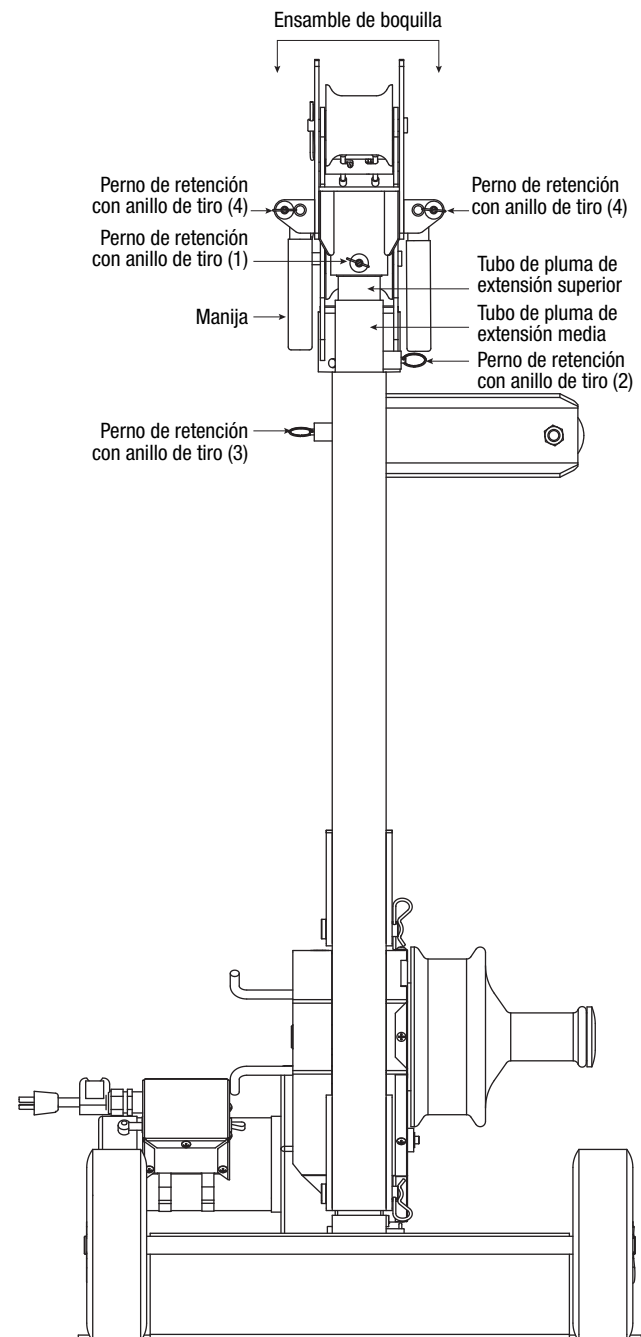
Observe la ilustración en la parte inferior.

Rotación de manijas

1. Retire el perno de retención con anillo de tiro (4).
2. Gire las manijas a la siguiente posición.
3. Asegúrese de que los pernos estén acoplados a la manija.

Fijación de la altura de la manija

El cambio de la altura del tubo de pluma también cambia la altura de la manija. Consulte con la sección "Operación de pluma" para mayor información.

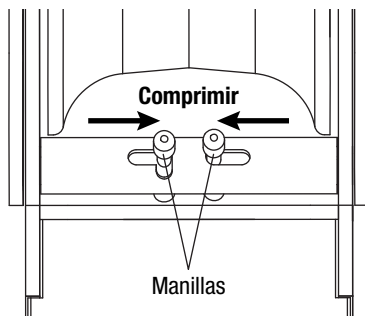


Giro de las unidades de boquilla y codo

Las unidades de boquilla y codo son físicamente idénticas y pueden intercambiarse. Por motivos de claridad, en este manual:

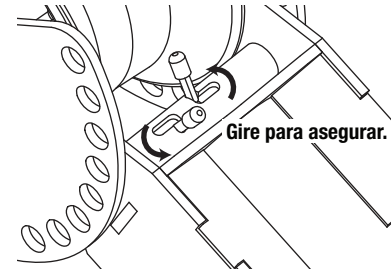
- “Boquilla” se refiere a la unidad que se conecta al conductor mediante acopladores.
- “Codo” se refiere a la unidad que conecta los tubos circulares.

Las unidades de boquilla/codo giran y se aseguran en diferentes grados de rotación. Están asegurados en su lugar mediante un conjunto de pernos de retención colocado entre la polea y el final del receptáculo del tubo de pluma. Para girar, comprima las agarraderas en los pernos de retención totalmente hacia adentro.



Asegúrese de que los pernos de retención en ambos lados están totalmente retraídos antes de intentar girar. Libere las agarraderas cuando se alcance el ángulo de giro deseado, y gire un poco más para permitir que ambos pernos se acoplen en los agujeros más cercanos.

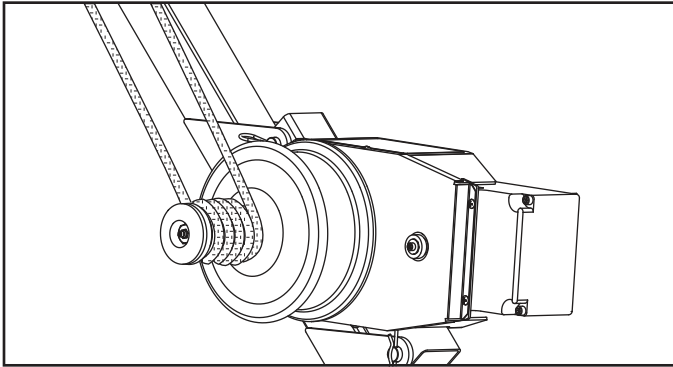
Cuando los pernos de retención se comprimen en la posición totalmente hacia adentro, pueden asegurarse en su lugar al girarlos en sentido opuesto a las agujas del reloj.



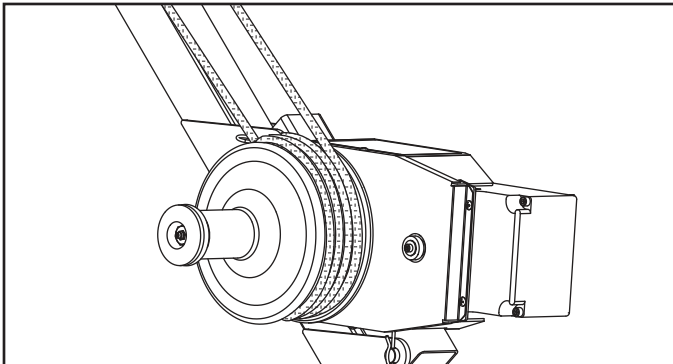
Nunca jale el cable con los pernos de retención asegurados hacia adentro; tanto la boquilla como el codo deben estar asegurados y no girar antes de la tracción.

Operación del traccionador

Después de recuperar la cuerda del conducto, enróllela alrededor del cabrestante. El traccionador operará en dos velocidades diferentes dependiendo de si la cuerda se encuentra en el diámetro grande o pequeño. Para operar en la velocidad inferior, coloque la cuerda en la parte más interna del diámetro más pequeño del cabrestante y envuelva la cuerda en el sentido de las agujas del reloj y hacia afuera. Para una tracción más rápida, haga lo mismo en la sección del diámetro más grande del cabrestante.

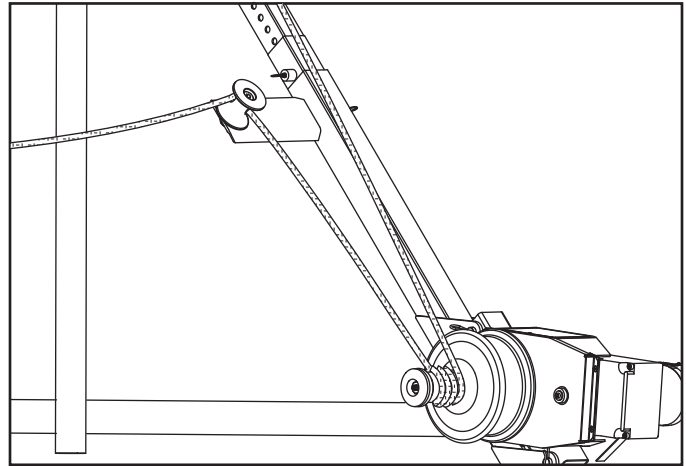


Velocidad baja



Velocidad alta

Cuando esté listo para iniciar la tracción del cable, utilice únicamente algunas vueltas de cuerda en el cabrestante, al inicio. El usar muchas vueltas de cuerda reducirá su capacidad de manipulación del la cuerda del cabrestante. Utilice la polea de ángulo recto para tomar una posición distinta al nivel de la cuerda de alta tensión, en caso de que esta, el cable o el conector se rompa.



Encienda el traccionador y gradualmente aplique la fuerza de extensión al extremo libre de la cuerda. Si la fuerza de extensión se torna excesiva, apague el traccionador y agregue otra vuelta. Si la cuerda empieza a ascender la rampa interna del cabrestante, ceda la fuerza de extensión para permitirle acomodarse en el diámetro base. Si continuamente asciende la rampa, apague el traccionador y retire una vuelta.

SERVICIO

El servicio técnico de herramientas debe realizarse únicamente por personal técnico calificado. El servicio técnico o mantenimiento realizado por personal no calificado puede producir un riesgo de lesión.

Al realizar un mantenimiento de una herramienta, utilice únicamente repuestos idénticos. Siga las instrucciones en la sección de “Mantenimiento” de este manual. El uso de piezas no autorizadas o no cumplir con las instrucciones de mantenimiento puede conllevar a un riesgo de descarga eléctrica o lesión.

Mantenimiento

PELIGRO

Apague el motor y desenchufe la unidad antes de desmontar o dar mantenimiento.

No cumplir con esta advertencia tendrá como resultado lesiones graves o la muerte.

Cadenas de transmisión

Retiro

Retire los 6 tornillos que aseguran los dispositivos de seguridad de la cadena. Deslice los dispositivos de seguridad de la cadena—primero del lado del motor—y retírelos. Retire el perno que asegura el cabrestante al traccionador y el tornillo que asegura el piñón de transmisión al motor. Retire todas las arandelas, anotando su orden correcto para el re-ensamblaje. Retire haciendo palanca el piñón de transmisión mientras que jala de la unidad de cabrestante y retire ambos. Retire la cadena de transmisión.

Reensamble con el sujetador del conector de conducto con la cara hacia el exterior.

Desgaste

Verifique para asegurarse que todos los conectores giran libremente sin trabarse. Reemplace la cadena si siente alguna resistencia. Cargue alternadamente los conectores en tensión y compresión a lo largo de la longitud para verificar alguna holgura libre. Apenas deberá sentir una cantidad detectable de holgura libre. Si alguna junta tiene suficiente holgura libre visible (alrededor de 1/64 in), reemplace la cadena. Siempre reemplace toda la cadena, incluyendo el conector de conducto como una sola unidad.

Lubricación

Lubrique las cadenas de transmisión cada 40 horas de operación. Lubrique entre las placas de la cadena desde el interior del bucle con cualquier lubricante de cadena de alta calidad o un aceite para engranajes de 80W–90W.

Ajuste

Desajuste los 4 tornillos que aseguran el motor. Aleje el motor del cabrestante mientras reajusta los tornillos del motor.

Cabrestante

Retiro

Ver el retiro de la cadena de transmisión.

Desgaste

Verifique si hay desgaste en la parte externa del cabrestante. Si la cuerda ha desgastado una ranura en la porción del diámetro de 2 in del cabrestante, reemplácela. Verifique el desgaste de cojinetes. Si el diámetro interno (ID) del cojinete de bronce excede 1,020 in o si se distingue una holgura libre radial visible entre el cabrestante y el eje, reemplace el cabrestante y el conjunto de cojinetes.

Lubricación

Lubrique el eje del cabrestante cada 20 horas de operación. Aplique abundante grasa grado 2 NLGI multi-propósito al cojinete y eje del cabrestante.

Ajuste

Si el cabrestante o armazón del traccionador se reemplaza, ajuste la holgura libre axial a menos de 1/32 in. Monte las arandelas de empuje internas y el cabrestante al armazón sin la cadena. Conecte con el perno y la arandela de sujeción plana. Si el cabrestante se traba, añada 52023123 arandelas de metal una por una hasta que rote libremente. Si tiene más de 1/32 in de holgura libre axial, añada 50179160 arandelas de fibra para establecer la holgura a menos de 1/32 in.

Motor

Cepillos del conmutador

Verifique los cepillos del conmutador cada 40 horas de operación. Retire los cepillos y tapas de cepillo del motor. Mida la longitud de los cepillos. Si la longitud de alguno de los cepillos es menor a 3/8 in, reemplace ambos cepillos.

Otro

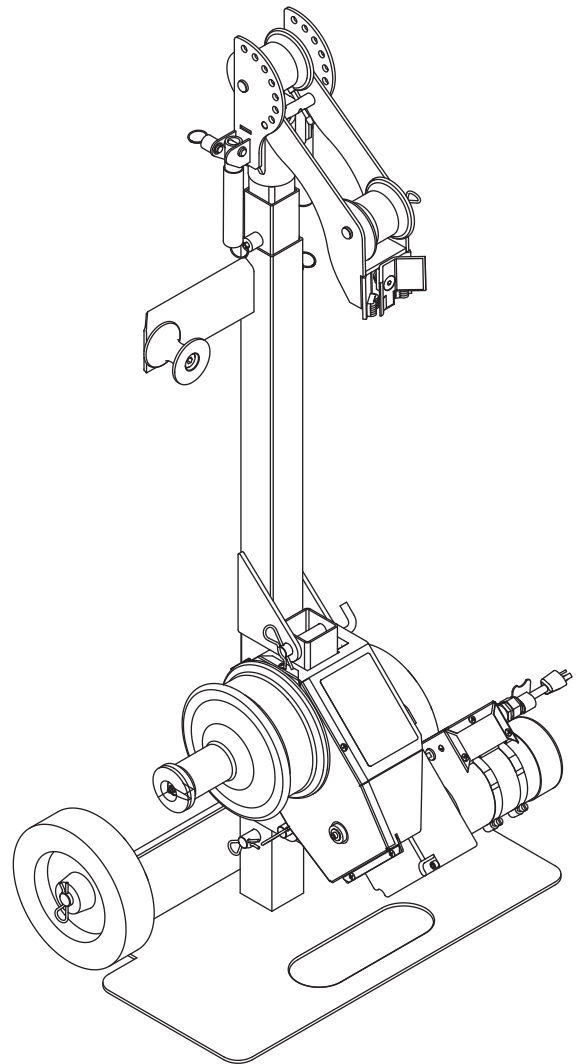
Trinquete anti-reverso

Verifique que el trinquete gire libremente sobre su eje. Limpie todo óxido o residuo del eje o cilindro del trinquete.

MANUEL D'INSTRUCTIONS



Systeme G3 Tugger®



Veillez lire et comprendre toutes les instructions et informations de sécurité de ce manuel avant d'utiliser cet outil ou d'effectuer son entretien.

Enregistrez ce produit sur www.greenlee.com

Table des matières

Description	34
Sécurité	34
Objet de ce manuel	34
Règles de sécurité générales	35
Règles et symboles particuliers de sécurité.....	36-38
Instructions de mise à la terre	38
DESCRIPTION FONCTIONNELLE	
Identification	39
Caractéristiques techniques	40
Planifier le tirage	40
MONTAGE	
Montage/démontage de la flèche.....	41
Configuration de la flèche.....	42-43
Configuration typique pour un tirage vers le haut.....	43
Configuration typique pour un tirage vers le bas.....	43
Configuration typique pour un tirage vers le côté.....	43
FONCTIONNEMENT	
Fonctionnement de l'ensemble de la buse.....	44
Fonctionnement de la flèche	44
Fonctionnement de la poignée	44
Pivotement du coude et de la buse.....	45
Fonctionnement du treuil.....	46
ENTRETIEN	
Entretien.....	47
ILLUSTRATIONS ET NOMENCLATURES DES PIÈCES	
Système de treuil à câble G3 Tugger®.....	49
Ensemble tête	50
Illustration ensemble moteur	51
Nomenclature des pièces de l'ensemble moteur	52

Description

Le système de treuil à câble G3 Tugger® de Greenlee sert à tirer un câble dans un conduit pour les travaux légers.

Sécurité

Lors de l'utilisation et de l'entretien des outils et de l'équipement de Greenlee, la sécurité est essentielle. Les instructions de ce manuel et celles qui sont inscrites sur l'outil fournissent des informations qui permettent d'éviter les dangers et les manipulations dangereuses liés à l'utilisation de cet outil. Veillez à respecter toutes les consignes de sécurité.

Objet de ce manuel

Ce manuel a pour objet de familiariser tout le personnel avec les procédures préconisées pour une utilisation et un entretien sans danger du système de treuil à câble G3 Tugger® de Greenlee.

Veillez garder ce manuel à la disposition de tout le personnel.

Des manuels de rechange peuvent être obtenus gratuitement sur demande sur www.greenlee.com.

Toutes les caractéristiques sont nominales et peuvent changer lors d'améliorations du produit. Greenlee Tools, Inc. décline toute responsabilité pour les dommages résultant d'un emploi détourné ou abusif de ses produits.

G3 Tugger est une marque déposée de Greenlee Tools, Inc.

® Déposée : la couleur verte du treuil est une marque déposée de Greenlee Tools, Inc.

CONSERVER CE MANUEL

RÈGLES DE SÉCURITÉ GÉNÉRALES

AVERTISSEMENT! Lire et comprendre toutes les instructions. Veiller à respecter toutes les instructions ci-dessous pour écarter les risques de décharge électrique, d'incendie ou de blessure grave.

CONSERVER CES INSTRUCTIONS

SÉCURITÉ DE L'AIRE DE TRAVAIL

Garder l'aire de travail propre et bien éclairée. Les établis encombrés et les aires de travail mal éclairés favorisent les accidents.

Ne pas utiliser les outils électriques dans des atmosphères explosives, notamment en présence de liquides, de gaz ou de poussières inflammables. Les outils électriques produisent des étincelles susceptibles d'enflammer les poussières ou les vapeurs.

Tenir les enfants, autres personnes et visiteurs présents à l'écart durant l'utilisation d'un outil électrique. Les distractions peuvent provoquer une perte de contrôle.

SÉCURITÉ EN MATIÈRE D'ÉLECTRICITÉ

Les outils mis à la terre doivent être branchés dans une prise installée adéquatement et mise à la terre conformément à tous les codes et à toutes les réglementations en vigueur. Ne jamais retirer la prise de mise à la terre ni la modifier de quelque façon. Ne pas utiliser de fiches d'adaptateur. S'adresser à un électricien qualifié en cas de doute concernant une mise à la terre adéquate. En cas de mauvais fonctionnement électrique ou de panne des outils, la mise à la terre offre un circuit faible résistance pour acheminer l'électricité loin de l'utilisateur.

Éviter tout contact corporel avec des surfaces reliées à la terre, notamment tuyaux, radiateurs, cuisinières et réfrigérateurs. La mise à la terre du corps accroît le risque de décharge électrique.

Ne pas exposer les outils électriques à la pluie ou à l'humidité. L'infiltration d'eau dans un outil électrique accroît le risque de décharge électrique.

Ne pas maltraiter le cordon. Ne jamais utiliser le cordon pour transporter les outils ni tirer sur la fiche pour les débrancher. Tenir le cordon à l'écart de sources de chaleur, d'huile, d'arêtes coupantes ou de pièces en mouvement. Remplacer tout cordon endommagé immédiatement. Un cordon endommagé accroît le risque de décharge électrique.

Lors de l'utilisation d'un outil électrique à l'extérieur, utiliser un cordon de rallonge prévu pour l'extérieur portant la marque « W-A » ou « W ». Ces cordons sont conçus pour l'extérieur et réduisent le risque de décharge électrique.

SÉCURITÉ INDIVIDUELLE

Faire preuve de vigilance, de concentration et de bon sens lors de l'utilisation d'un outil électrique. Ne pas utiliser un outil alors qu'on est fatigué ou sous l'emprise de drogues, d'alcool ou de médicaments. Un instant d'inattention durant l'utilisation d'un outil électrique peut entraîner des blessures graves.

Porter une tenue appropriée. Ne pas porter de vêtements amples ni de bijoux. Attacher les cheveux longs. Tenir les cheveux, les vêtements et les gants à l'écart des pièces en mouvement. Les vêtements amples, les bijoux et les cheveux longs peuvent se prendre dans les pièces en mouvement.

Éviter tout démarrage accidentel. Veiller à ce que l'interrupteur soit en position d'arrêt avant le branchement. Le fait de porter des outils avec le doigt sur l'interrupteur ou de brancher des outils alors que l'interrupteur est en position de marche favorise les accidents.

Enlever les clés de réglage ou les interrupteurs avant de mettre l'outil en position de marche. Une clé laissée attachée sur une pièce tournante de l'outil peut provoquer des blessures.

Ne pas travailler à bout de bras. Maintenir en permanence un pied ferme et un bon équilibre. Un pied ferme et un bon équilibre permettent de mieux contrôler l'outil dans des situations inattendues.

Utiliser un équipement de sécurité. Toujours porter une protection oculaire. Utiliser dans les conditions appropriées, un masque antipoussière, des chaussures de sécurité antidérapantes, un casque ou une protection auditive.

UTILISATION ET ENTRETIEN DE L'OUTIL

Utiliser des pinces ou tout autre moyen pratique de fixer la pièce à un support stable. Tenir la pièce à la main ou contre le corps est une position instable et peut causer une perte de contrôle.

Ne pas forcer sur l'outil. Utiliser l'outil adapté au travail à effectuer. L'outil adapté assure un travail plus correct et plus sûr, au régime pour lequel il a été conçu.

Ne pas utiliser l'outil si l'interrupteur ne le met pas en marche et à l'arrêt. Tout outil qui ne peut pas être commandé au moyen de l'interrupteur est dangereux et doit être réparé.

Débrancher la fiche de la source de courant avant d'effectuer des ajustements, de changer des accessoires ou de ranger l'outil. Ces mesures préventives réduisent le risque de démarrage accidentel de l'outil.

Ranger les outils inutilisés hors de la portée des enfants et des personnes inexpérimentées. Les outils sont dangereux dans les mains d'utilisateurs inexpérimentés.

Entretenir les outils avec attention. Garder les outils de coupe propres et affûtés. Les outils bien entretenus et aux arêtes tranchantes sont moins susceptibles de se bloquer et sont plus faciles à maîtriser.

Vérifier que l'outil ne présente pas de pièces tournantes grippées ou désaxées, de pièces cassées ou d'autres problèmes susceptibles d'entraver son bon fonctionnement. En cas d'endommagement, faire réparer l'outil avant de l'utiliser. De nombreux accidents sont causés par des outils mal entretenus.

N'utiliser que les accessoires qui sont recommandés par le fabricant pour le modèle utilisé. Les accessoires qui peuvent convenir à un outil peuvent être dangereux lorsqu'ils sont utilisés sur un autre outil.

ENTRETIEN

La réparation de l'outil doit être effectuée uniquement par un technicien qualifié. Toute réparation ou toute opération d'entretien effectuée par du personnel non qualifié peut entraîner des blessures.

Lors de la réparation d'un outil, utiliser uniquement des pièces de rechange identiques. Suivre les instructions de la section « Entretien » de ce manuel. L'utilisation de pièces non autorisées ou le non-respect des instructions d'entretien peut entraîner un risque de décharge électrique ou de blessure.

RÈGLES DE SÉCURITÉ PARTICULIÈRES ET SYMBOLES



SYMBOLE D'AVERTISSEMENT

Ce symbole met en garde contre les risques et les manipulations dangereuses pouvant entraîner des blessures ou des dégâts matériels. Les mots indicateurs ci-dessous définissent la gravité du danger, et sont suivis d'informations permettant de prévenir ou d'éviter le danger.

⚠ DANGER

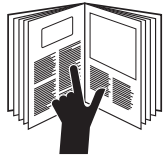
Danger immédiat qui, s'il n'est pas évité, ENTRAÎNERA des blessures graves ou la mort.

⚠ AVERTISSEMENT

Danger qui, s'il n'est pas évité, POURRAIT entraîner des blessures graves ou la mort.

⚠ ATTENTION

Dangers ou manipulations dangereuses qui, s'ils ne sont pas évités, POURRAIENT entraîner des blessures ou des dégâts matériels.



⚠ DANGER

Veuillez lire et comprendre toutes les instructions et informations de sécurité de ce manuel avant d'utiliser cet outil ou d'effectuer son entretien.

Le non-respect de cette mise en garde entraînerait des blessures graves ou la mort.



⚠ DANGER

Ne pas utiliser le treuil de tirage dans un environnement dangereux. Ces dangers comprennent notamment les liquides et gaz inflammables.

Le non-respect de cette mise en garde entraînerait des blessures graves ou la mort.



⚠ AVERTISSEMENT

Danger de décharge électrique :

Débrancher le treuil à câble de son alimentation électrique avant toute opération d'entretien.

Le non-respect de cette mise en garde peut entraîner des blessures graves ou la mort.

⚠ AVERTISSEMENT

Fixer seulement à un conduit en acier ou en PVC de calibre 40. Ne pas fixer un conduit en PVC à moins qu'il ne soit soutenu à 2 po de l'extrémité.

Le non-respect de cette mise en garde peut entraîner des blessures graves ou la mort.



⚠ AVERTISSEMENT

Ne rien laisser venir au contact du cabestan autre que la corde de tirage. Un serre-câble, un émerillon ou toute autre pièce peut se casser et heurter les personnes présentes avec violence.

Le non-respect de cette mise en garde peut entraîner des blessures graves ou la mort.



⚠ AVERTISSEMENT

Ne pas se tenir directement sous un tirage vertical. Le câble peut chuter soudainement du conduit et blesser les personnes autour.

Le non-respect de cette mise en garde peut entraîner des blessures graves ou la mort.

RÈGLES DE SÉCURITÉ PARTICULIÈRES ET SYMBOLES

⚠ AVERTISSEMENT

Toute corde sous-dimensionnée ou usée peut se rompre et fouetter violemment. Utiliser une corde en polyester ou chemisée en polyester ayant une force de rupture de 8 000 livres.

Le non-respect de cette mise en garde peut entraîner des blessures graves ou la mort.

⚠ AVERTISSEMENT

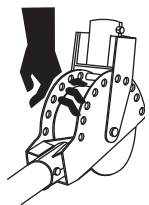
- Contrôler l'état de la corde sur toute sa longueur avant de l'utiliser. Une corde usée ou endommagée peut se rompre sous la tension et fouetter violemment.
- Ne pas maintenir une corde immobile sur un cabestan en rotation. L'usure engendrée peut provoquer une rupture et un fouettement violent de la corde sous la tension.

Le non-respect de ces mises en garde peut entraîner des blessures graves ou la mort.

⚠ AVERTISSEMENT

Attacher la corde de tirage au câble à l'aide de connecteurs de type approprié. Sélectionner des connecteurs d'une capacité maximale nominale de 2 000 lb). Un connecteur sous-dimensionné peut se rompre sous la tension.

Le non-respect de cette mise en garde peut entraîner des blessures graves ou la mort.



⚠ AVERTISSEMENT

Ne pas placer les doigts à travers les trous du coude de flèche. Les pièces tournantes peuvent sectionner les doigts.

Le non-respect de cette mise en garde peut entraîner des blessures graves ou la mort.



⚠ AVERTISSEMENT

Garder les mains à l'écart du cabestan. La corde sur le cabestan peut écraser une main.

Le non-respect de cette mise en garde peut entraîner des blessures graves ou la mort.

⚠ AVERTISSEMENT



Ne pas enrouler la corde autour des mains, des bras, de la taille ou d'autres parties du corps. Ne pas se tenir sur des spires dévidées ou sur la corde ravalée. Tenir la corde de manière qu'elle puisse être libérée rapidement.

Le non-respect de cette mise en garde peut entraîner des blessures graves ou la mort.

⚠ AVERTISSEMENT

La corde, le câble et un connecteur peuvent se rompre sous la tension, ce qui provoquerait un fouettement violent de la corde.

- Ne permettre à aucune personne non indispensable de rester au voisinage du tirage.
- Ne permettre à personne de se tenir dans l'alignement de la corde de tirage.

Le non-respect de ces avertissements peut entraîner des blessures graves ou la mort.

⚠ AVERTISSEMENT

Ne pas laisser la corde chevaucher sur le cabestan. Si la corde approche le haut de la partie inclinée du cabestan, relaxer la force de traction. Si un chevauchement survient, arrêter immédiatement le treuil.

Le non-respect de cette mise en garde peut entraîner des blessures graves ou la mort.

⚠ AVERTISSEMENT

Risque de basculement :

Abaisser les tubes de la flèche jusqu'à l'affaissement complet avant de transporter le treuil à câble.

Le non-respect de cette mise en garde peut entraîner des blessures graves ou la mort.

RÈGLES DE SÉCURITÉ PARTICULIÈRES ET SYMBOLES


	<p>⚠ AVERTISSEMENT</p>
	<p>Ne pas faire fonctionner le treuil si les protections ne sont pas en place. Le non-respect de cette mise en garde peut entraîner des blessures graves ou la mort.</p>

<p>⚠ AVERTISSEMENT</p>
<p>Danger d'enchevêtrement :</p> <ul style="list-style-type: none"> • ne pas porter des vêtements amples lors de l'utilisation du treuil de tirage. • attacher les cheveux longs. <p>Le non-respect de ces mises en garde peut entraîner des blessures graves ou la mort.</p>

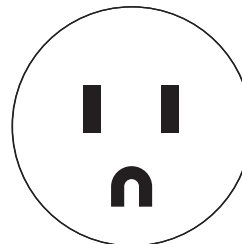
<p>⚠ AVERTISSEMENT</p>
<p>Utiliser cet outil exclusivement aux fins prévues par le fabricant. Ne pas utiliser le treuil de tirage en tant que palan de levage ou que treuil universel.</p> <ul style="list-style-type: none"> • Le treuil de tirage ne peut pas abaisser une charge. • Cette charge pourrait chuter. <p>Le non-respect de cette mise en garde peut entraîner des blessures graves ou la mort.</p>

	<p>⚠ AVERTISSEMENT</p>
	<p>Porter une protection oculaire durant l'utilisation de cet outil. L'absence de protection oculaire peut entraîner des lésions oculaires graves en cas de projection de débris.</p>

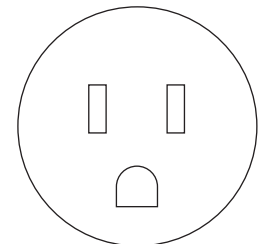
Instructions de mise à la terre

	<p>⚠ AVERTISSEMENT</p>
	<p>Danger de décharge électrique :</p> <ul style="list-style-type: none"> • ne pas modifier la fiche fournie avec l'outil. • brancher cet outil sur une prise raccordée à la terre alimentée par un circuit de 15 A protégé par DDFT. <p>Le non-respect de ces mises en garde peut entraîner des blessures graves ou la mort.</p>

NEMA 5-15



Fiche



Prise

Cet outil doit être relié à la terre. En cas de mauvais fonctionnement ou de panne, la mise à la terre offre un circuit de moindre résistance au courant électrique. Ce circuit de moindre résistance a pour objet de réduire le risque de décharge électrique.

Le cordon électrique de cet outil comporte un conducteur de terre et une fiche avec terre, comme sur l'illustration. Ne pas modifier la fiche. Brancher la fiche sur une prise correspondante protégée par DDFT qui a été correctement installée et mise à la terre en conformité avec toute la réglementation en vigueur.

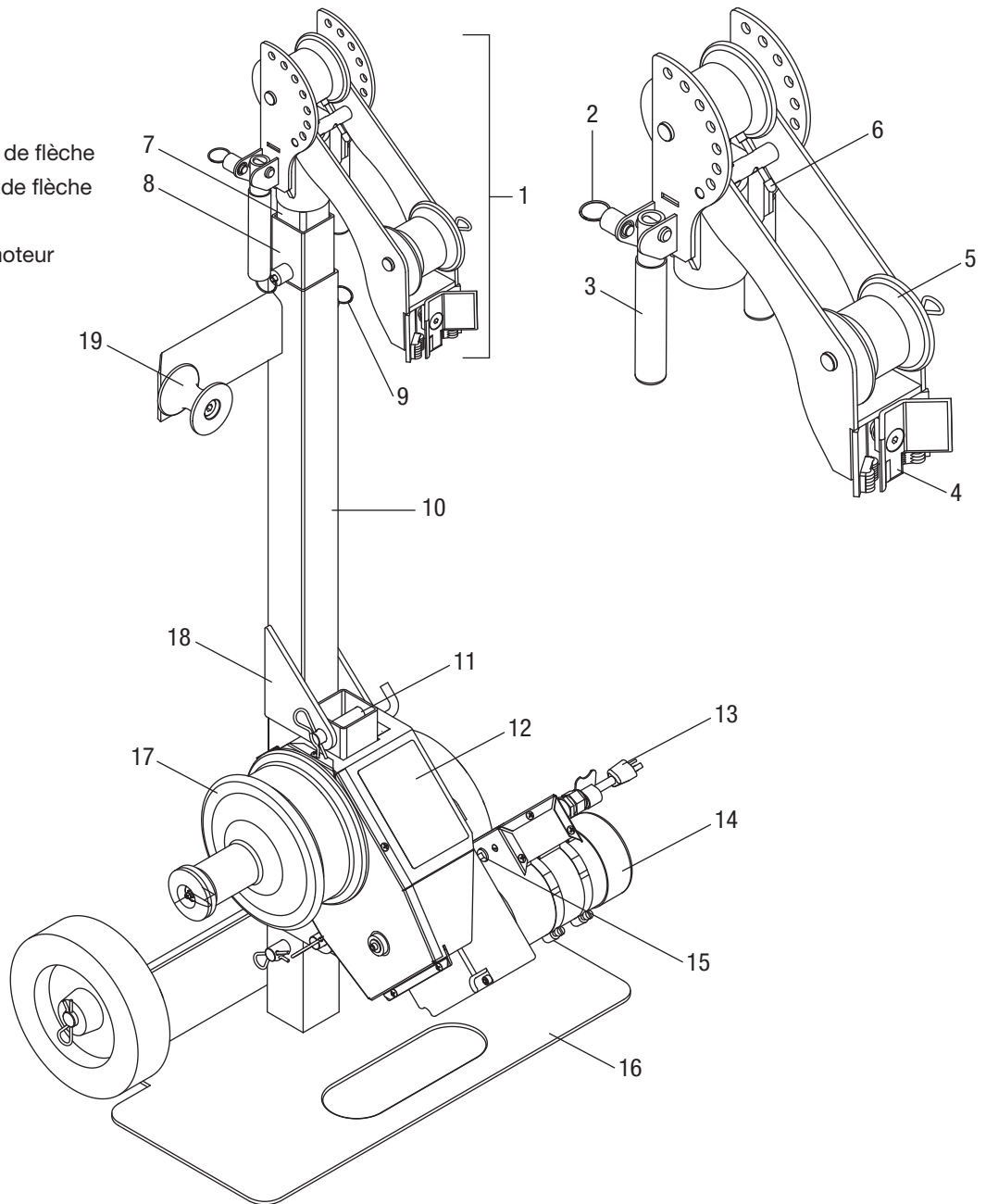
Ne pas utiliser d'adaptateur.

DESCRIPTION FONCTIONNELLE

Identification

Système de treuil à câble G3

1. Ensemble de la buse
2. Cheville d'arrêt à anneau
3. Poignée
4. Ensemble de la pince
5. Galet
6. Cheville d'arrêt
7. Tube supérieur de rallonge de flèche
8. Tube du milieu de rallonge de flèche
9. Cheville d'arrêt à anneau
10. Ensemble adaptateur de moteur
11. Goupille
12. Ensemble du moteur
13. Cordon électrique
14. Moteur
15. Disjoncteur et interrupteur
16. Ensemble base de chariot
17. Cabestan deux vitesses
18. Fixation du moteur
19. Galet de renvoi



Caractéristiques techniques

Poids.....	123 lb (56 kg)
Dimensions	
Longueur.....	1,4 pi (0,43 m)
Largeur.....	1,95 pi (0,59 m)
Hauteur.....	4,5 pi (1,37 m)
Moteur.....	120 VCA, 50/60 Hz, 12 A
Haut débit	
À vide.....	97 pi/min (30 m/min)
500 lb.....	59 pi/min (18 m/min)
1 000 lb.....	36 pi/min (11 m/min)
Faible débit	
À vide.....	41 pi/min (12 m/min)
1 000 lb.....	21 pi/min (6 m/min)
2 000 lb (intermittent – 5 min activé, 20 min désactivé).....	13 pi/min (4 m/min)
Fonctionnement du treuil : cabestan	
Vitesse lente.....	5 tours
Vitesse rapide.....	4 tours
Corde de tirage.....	Corde composite double tresse 1/2 po d'une résistance nominale moyenne à la rupture de 10 000 lb

Planifier le tirage

- Effectuer le tirage suivant une direction nécessitant la plus petite force de tirage possible.
- Prévoir plusieurs tirages courts plutôt que moins de tirages plus longs.
- Placer le treuil de tirage aussi près de l'extrémité du conduit que possible afin de minimiser la longueur exposée de corde sous tension.
- Placer chaque élément de manière à utiliser les forces de tirage efficacement.
- Choisir un système d'ancrage : galets d'accouplement, de préférence, ou fixation au sol.
- Vérifier que la capacité de charge nominale de chaque élément convient.
- Contrôler les structures de support. Vérifier qu'elles présentent toutes une résistance suffisante pour s'opposer aux forces maximales susceptibles d'être produites.

MONTAGE

Montage/démontage de la flèche

1. Poser la base du chariot sur un sol plat ayant une forte structure de base.

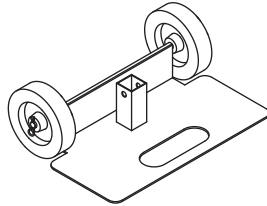


Figure 1

2. Insérer l'adaptateur de moteur dans le chariot. Veiller à bien insérer le montant du moteur comme illustré sur la Figure 2. Fixer et verrouiller la cheville.

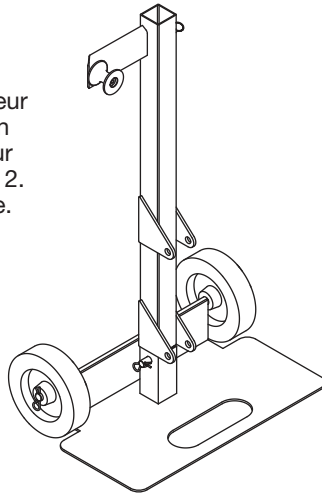


Figure 2

3. Insérer les tubes de rallonge de flèche du milieu et supérieur comme illustré sur la Figure 3. Veiller à ce que la cheville d'arrêt à anneau soit bien engagée avec les autres tubes.

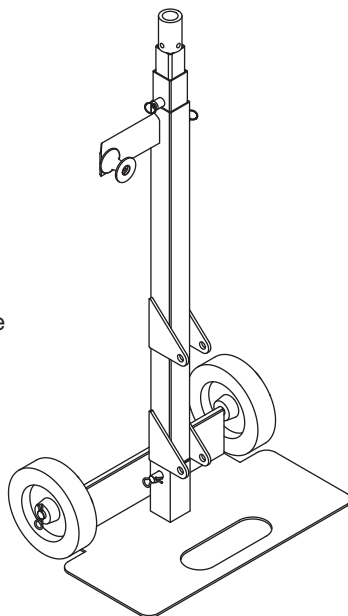


Figure 3

4. Glisser la buse dans le tube de la rallonge de flèche à l'aide de la cheville d'arrêt à anneau.

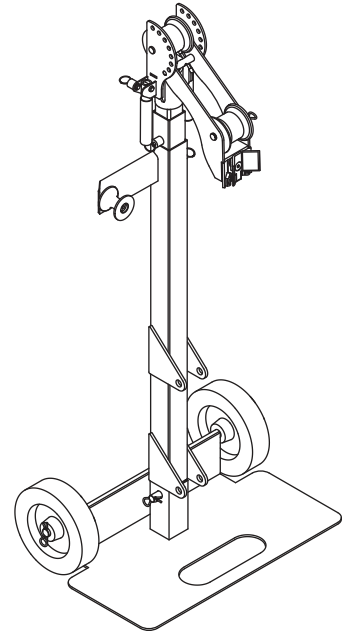


Figure 4

5. Pour terminer, fixer l'ensemble du moteur à l'adaptateur du moteur comme illustré sur la Figure 5, en utilisant deux goupilles de blocage.

Conseil : placer l'ensemble complet au sol pour faciliter l'insertion de l'ensemble du moteur.

Remarque : les tubes inférieurs de la flèche doivent être complètement affaissés comme illustré sur la Figure 5 avant de transporter le treuil à câble.

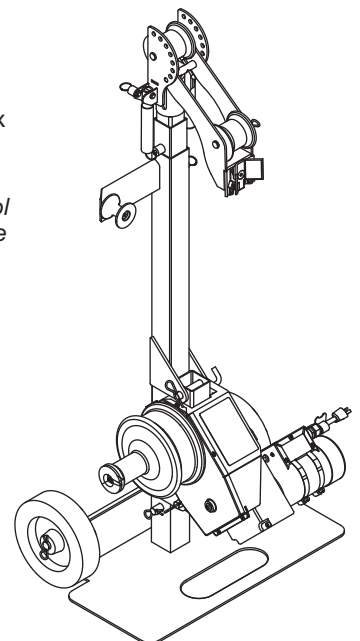
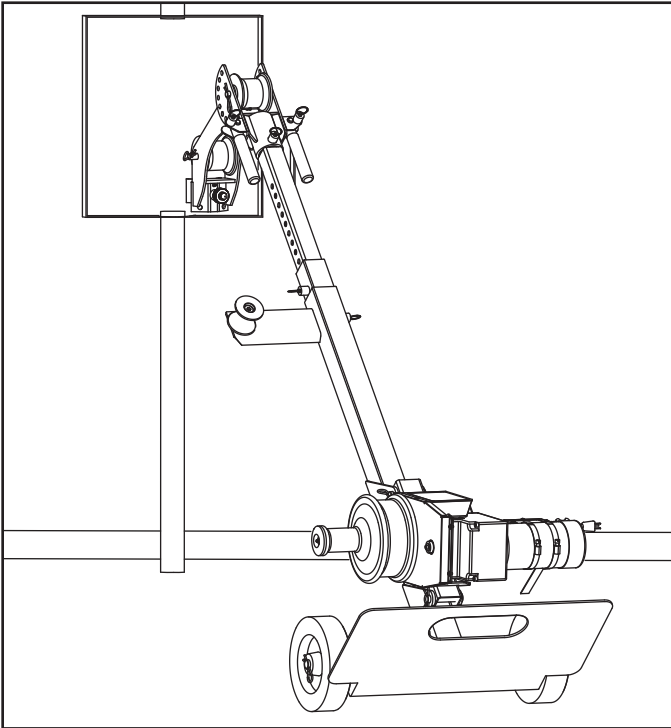


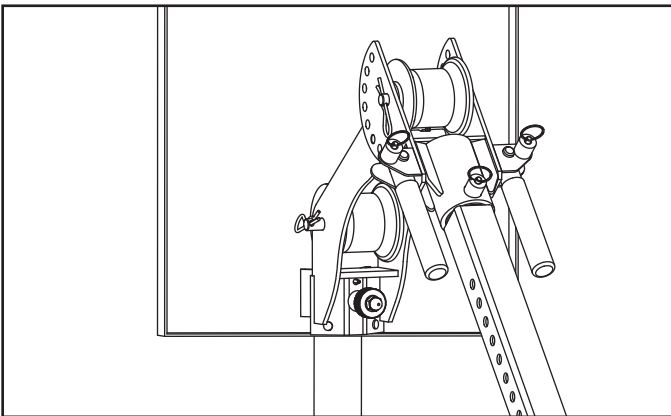
Figure 5

Configuration de la flèche

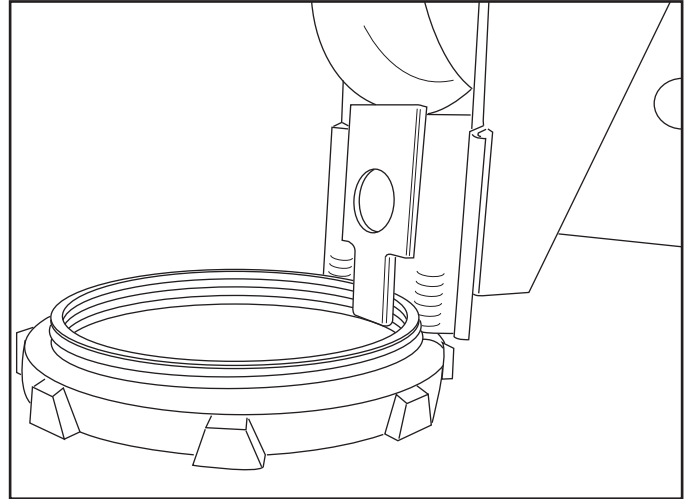
1. Placer le treuil dans la position approximative du conduit.



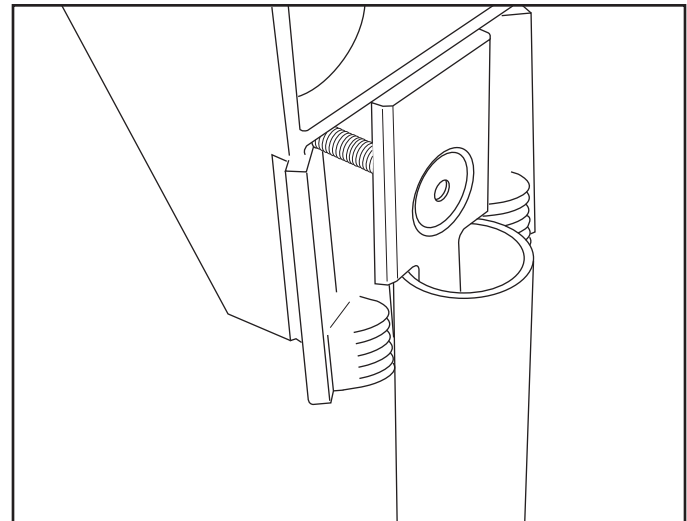
2. Aligner la buse avec le conduit et la bloquer en place avec la cheville d'arrêt.



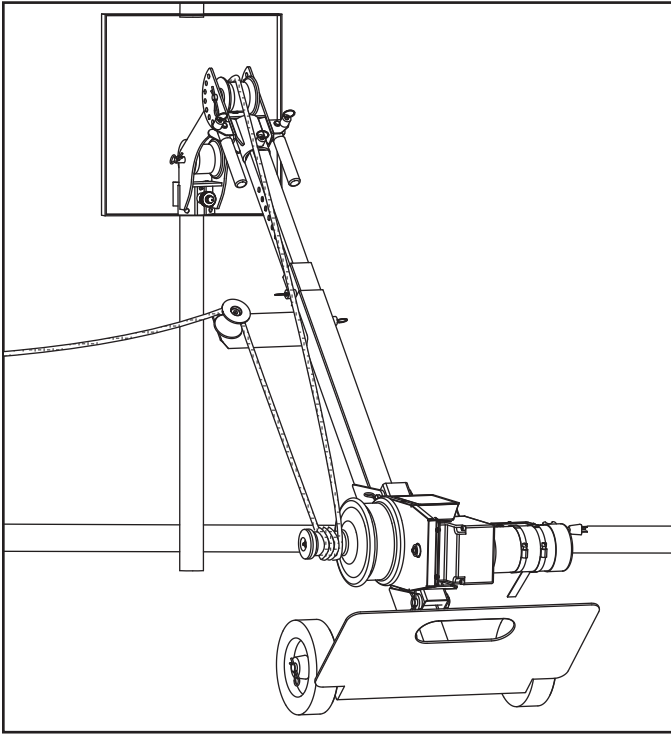
3. Enfoncer la buse vers le haut contre les filets du conduit et l'écrou de blocage du conduit. Placer la plaque de serrage à l'intérieur du conduit et serrer l'écrou moleté. Enlever temporairement l'écrou de blocage pour mieux enfiler si nécessaire.



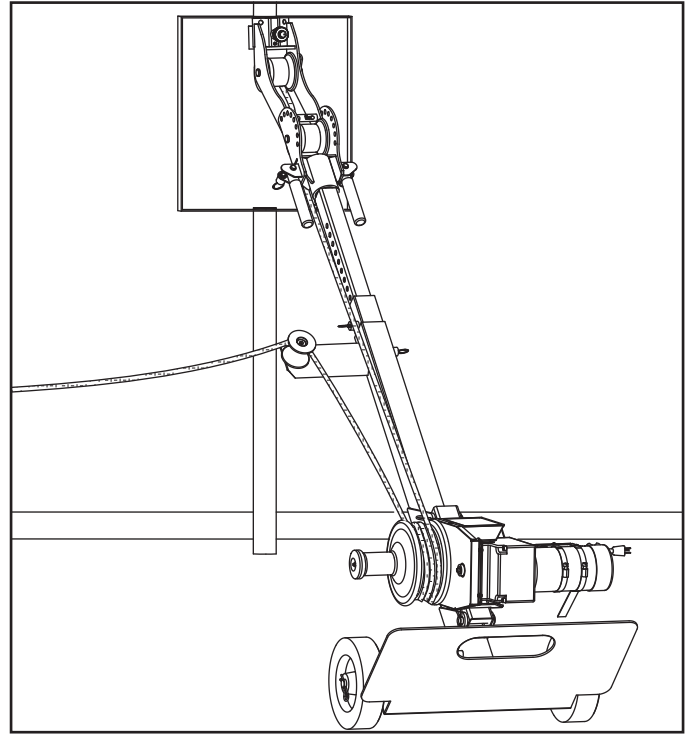
4. Si le conduit tient tout seul ou n'a pas de filets, positionner la buse afin que le conduit s'enfonce contre les plats de la plaque de serrage.



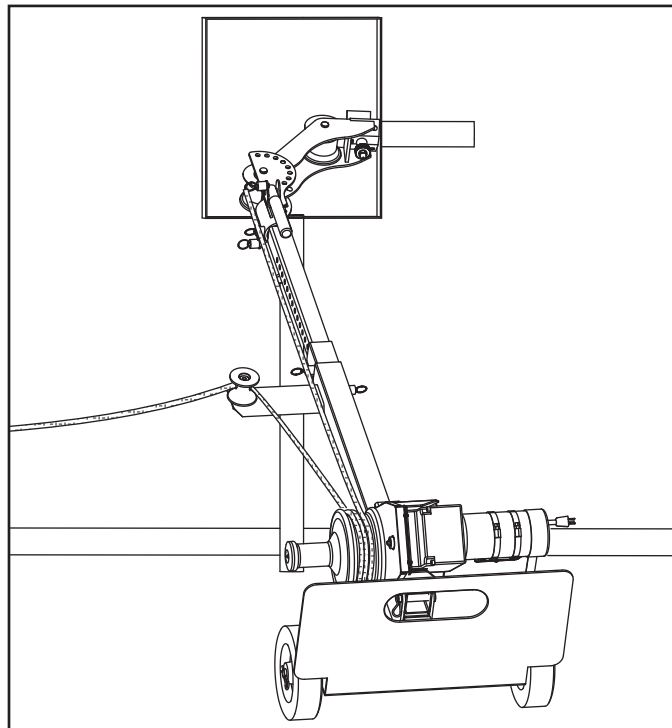
Configuration de la flèche (suite)



Configuration typique pour un tirage vers le haut



Configuration typique pour un tirage vers le bas



Configuration typique pour un tirage vers le côté

FONCTIONNEMENT

Fonctionnement de l'ensemble de la buse

Se reporter à l'illustration ci-dessous.

1. Sortir la cheville d'arrêt à anneau (1).
2. Tourner l'ensemble de la buse en bonne position pour le tirage.
3. Veiller à ce que la cheville d'arrêt à anneau (1) soit bien engagée avec le tube en cercle.

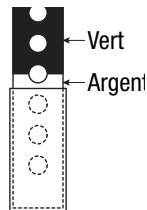
Fonctionnement de la flèche

Se reporter à l'illustration ci-dessous.

Lever la flèche

Veillez d'abord relever la rallonge supérieure avant de relever la rallonge du milieu.

Remarque : lorsqu'on relève l'une des rallonges, arrêter lorsque la couleur de la peinture passe du vert à l'argent. Ne pas relever les rallonges au-delà du quatrième trou depuis l'extrémité, comme illustré ici.



1. Sortir la cheville d'arrêt à anneau (2).
2. Allonger la rallonge supérieure à la bonne hauteur.
3. Sortir la cheville d'arrêt à anneau (3).
4. Allonger la rallonge du milieu à la bonne hauteur.
5. Veiller à ce que les chevilles d'arrêt à anneau (2, 3) soient bien engagées dans les tubes de la flèche.

Abaisser la flèche

1. Tenir le tube de la flèche d'une main. Faire attention au poids.
2. Soulever légèrement le tube de la flèche et sortir la cheville d'arrêt à anneau.
3. Déplacer le tube de la flèche à la bonne hauteur tout en tirant la cheville d'arrêt à anneau. NE PAS laisser le tube de la flèche tomber sans retenue.
4. Lorsque la bonne hauteur est atteinte, veiller à ce que la cheville d'arrêt à anneau soit bien engagée dans le tube de la flèche.

Fonctionnement de la poignée

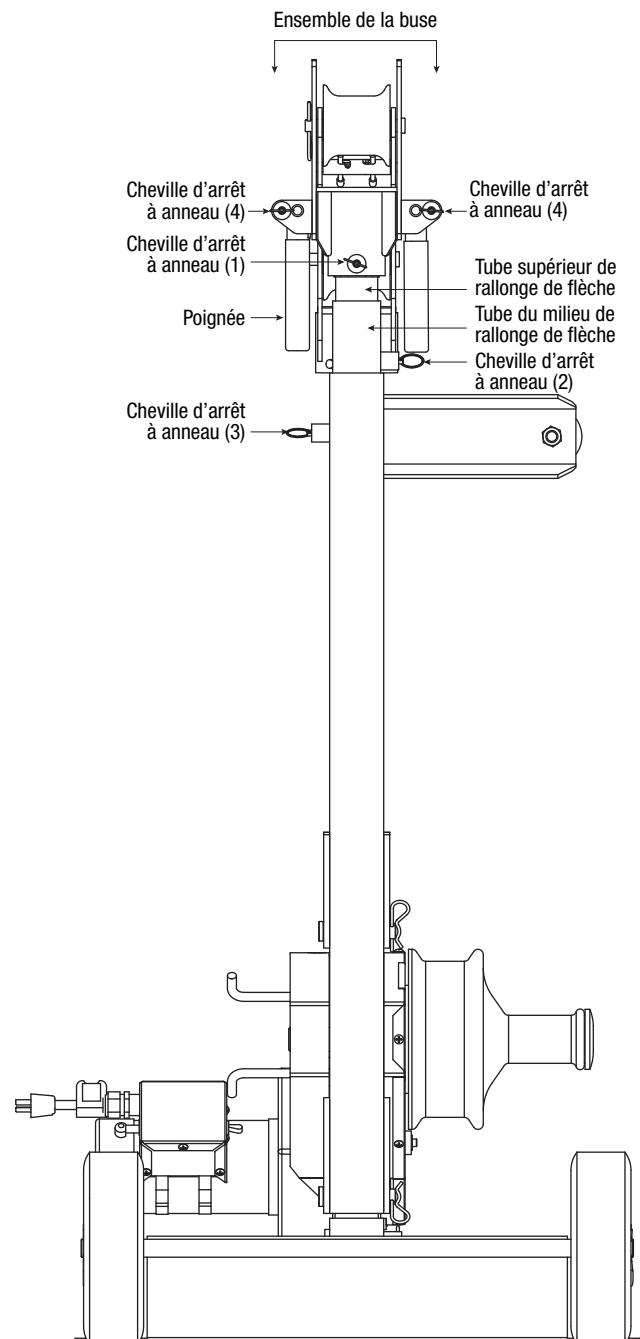
Se reporter à l'illustration ci-dessous.

Tourner les poignées

1. Sortir la cheville d'arrêt à anneau (4).
2. Tourner les poignes à la prochaine position.
3. Veiller à ce que les goupilles soient bien engagées dans la poignée.

Régler la hauteur de la poignée.

La modification de la hauteur du tube de la flèche modifie aussi la hauteur de la poignée. Vous reporter à la section « Fonctionnement de la flèche » ci-dessus pour de plus amples informations.

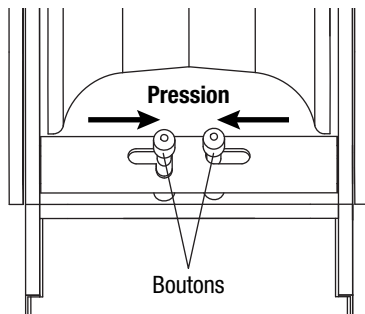


Pivotement du coude et de la buse

Le coude et la buse sont physiquement identiques et peuvent être utilisés de façon interchangeable. Par souci de clarté, dans ce manuel :

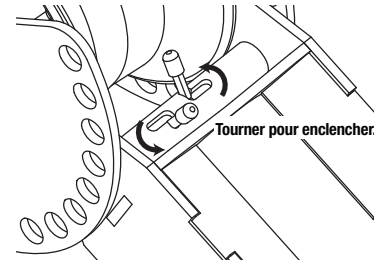
- « Buse » fait référence à l'élément qui se raccorde au conduit au moyen d'accouplements.
- « Coude » fait référence à l'élément qui raccorde les deux tubes en cercle.

Le coude et la buse pivotent et se bloquent à divers angles d'articulation. Ils se verrouillent en place au moyen de chevilles d'arrêt placées entre les galets et à l'extrémité du manchon pour tube de flèche. Pour les faire pivoter, serrer les boutons des chevilles d'arrêt à fond l'un vers l'autre.



S'assurer que les chevilles d'arrêt sont complètement rétractées des deux côtés avant d'effectuer le pivotement. Relâcher les boutons lorsque l'angle de pivotement souhaité est atteint et poursuivre légèrement le pivotement pour permettre aux deux chevilles de s'engager dans les trous les plus proches.

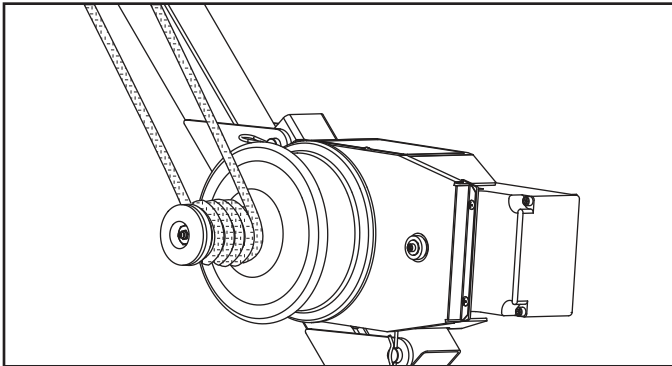
Lorsque les chevilles d'arrêt sont serrées l'une vers l'autre, elles peuvent être bloquées en place par une rotation dans le sens inverse des aiguilles d'une montre.



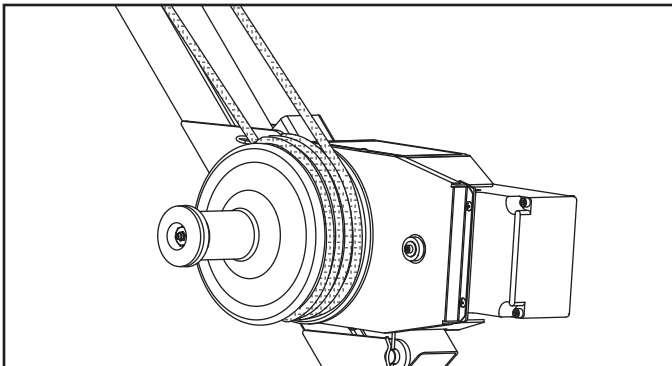
Ne jamais effectuer un tirage de câble avec les chevilles d'arrêt bloquées en position rétractée; le coude et la buse doivent être tous deux verrouillés pour ne pas pivoter avant le tirage.

Fonctionnement du treuil

Après avoir récupéré la corde dans le conduit, l'enrouler autour du cabestan. Le treuil tirera à deux vitesses différentes selon que le diamètre de la corde est large ou petit. Pour tirer à une vitesse lente, placer la corde à la partie la plus intérieure du diamètre le plus petit du cabestan et enrouler la corde dans le sens horaire et vers l'extérieur. Pour tirer plus rapidement, faire la même chose sur la partie du cabestan ayant un diamètre plus large.

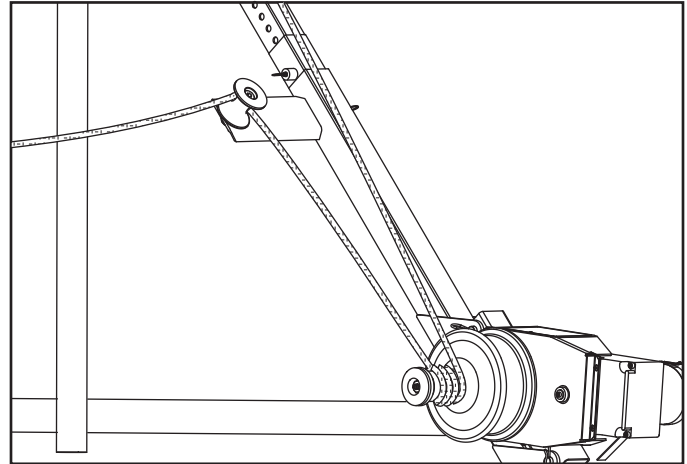


Vitesse lente



Vitesse rapide

Lorsqu'on est prêt à tirer le câble, d'abord faire seulement quelques tours de corde sur le cabestan. Trop de tours réduiront la capacité de contrôler la corde sur le cabestan. Utiliser le galet de renvoi à angle droit pour vous positionner de manière à ne pas être en ligne avec la corde sous haute tension, au cas où le câble ou le connecteur briserait.



Actionner le treuil et graduellement appliquer une force de traction sur l'extrémité libre de la corde. Si la force de traction s'élève au point d'être inconfortable, arrêter le treuil et faire un autre tour. Si la corde commence à grimper sur la rampe intérieure du cabestan, alléger la force de traction pour lui permettre de se poser sur le diamètre de la base. Si elle grimpe continuellement la rampe, arrêter le treuil et enlever un tour.

ENTRETIEN

La réparation de l'outil doit être effectuée uniquement par un technicien qualifié. Toute réparation ou toute opération d'entretien effectuée par du personnel non qualifié peut entraîner des blessures.

Lors de la réparation d'un outil, utiliser uniquement des pièces de rechange identiques. Suivre les instructions de la section « Entretien » de ce manuel. L'utilisation de pièces non autorisées ou le non-respect des instructions d'entretien peut entraîner un risque de décharge électrique ou de blessure.

Entretien

DANGER

Éteindre le moteur et débrancher l'appareil avant de le démonter ou d'effectuer un entretien.

Le non-respect de cette mise en garde entraînerait des blessures graves ou la mort.

Chaînes d'entraînement

Dépose

Enlever les 6 vis fixant les protections de la chaîne. Glisser les protections de chaîne, d'abord côté moteur, puis les enlever. Enlever le boulon fixant le cabestan au treuil et la vis fixant le pignon d'entraînement au moteur. Enlever toutes les rondelles en notant l'ordre pour les remonter correctement. Soulever le pignon d'entraînement tout en sortant le cabestan et enlever les deux. Sortir la chaîne d'entraînement. **Remonter le lien de retenue tourné vers l'extérieur.**

Usure

Vérifier que tous les liens pivotent librement sans gripper. Remplacer la chaîne s'il y a de la résistance. Mettre les liens sous tension et compression sur la longueur en alternant pour vérifier s'il y a un jeu perceptible. Il devrait y avoir à peine un jeu détectable. Si un joint a un jeu détectable (environ 1/64 po), remplacer la chaîne. Il faut toujours remplacer toute la chaîne, incluant le lien de connexion.

Lubrification

Lubrifier les chaînes d'entraînement toutes les 40 heures de fonctionnement. Lubrifier entre les plaques de chaîne depuis l'intérieur de la boucle avec une graisse à chaîne de qualité supérieure ou une huile d'engrenage 80W à 90W.

Ajustement

Desserrer les 4 vis fixant le moteur. Dégager le moteur du cabestan tout en resserrant les vis du moteur.

Cabestan

Dépose

Vous reporter à la dépose de la chaîne d'entraînement.

Usure

Vérifier l'usure sur l'extérieur du cabestan. Il faut la remplacer la corde si elle a usé une rainure sur la partie diamètre 2 po du cabestan. Vérifier l'usure du palier. Si le palier en laiton ID dépasse 1,020 po ou s'il y a un jeu radial visible entre le cabestan et l'arbre, remplacer le cabestan et le palier.

Lubrification

Lubrifier l'arbre du cabestan toutes les 20 heures de fonctionnement. Enduire généreusement de graisse à usage multiple NLGI grade 2 l'arbre du cabestan et le palier.

Ajustement

Si le cabestan ou le cadre du treuil est remplacé, ajuster le jeu axial à moins de 1/32 po. Assembler les rondelles de butée interne et le cabestan au cadre sans la chaîne. Attacher le boulon et la rondelle de retenue plate. Si le cabestan se grippe, ajouter une rondelle de cale 52023123 à la fois jusqu'à ce qu'il tourne librement. S'il a un jeu axial supérieur à 1/32 po, ajouter des rondelles en fibre 50179160 pour régler le jeu à moins de 1/32 po.

Moteur

Balais du commutateur

Vérifier l'état des balais du commutateur toutes les 40 heures de fonctionnement. Retirer les capuchons de balais du moteur et les balais. Mesurer la longueur des balais. Si la longueur d'un des balais est inférieure à 3/8 po, remplacer les deux balais.

Autre

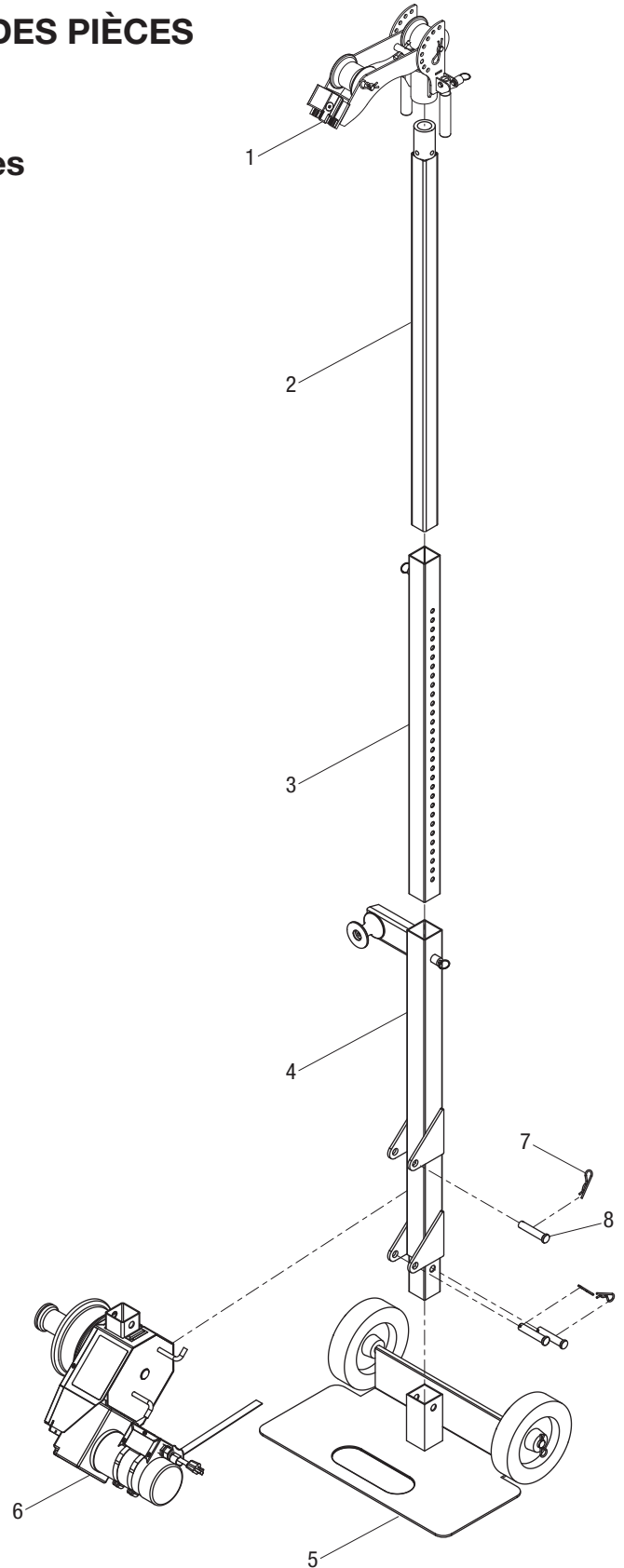
Griffe anti-inversion

Vérifier que la griffe pivote librement sur son arbre. Nettoyer toute rouille ou tous débris sur l'arbre ou l'alésage de la griffe.

**ILLUSTRATIONS AND PARTS LISTS
LISTAS DE PARTES E ILUSTRACIONES
ILLUSTRATIONS ET NOMENCLATURES DES PIÈCES**

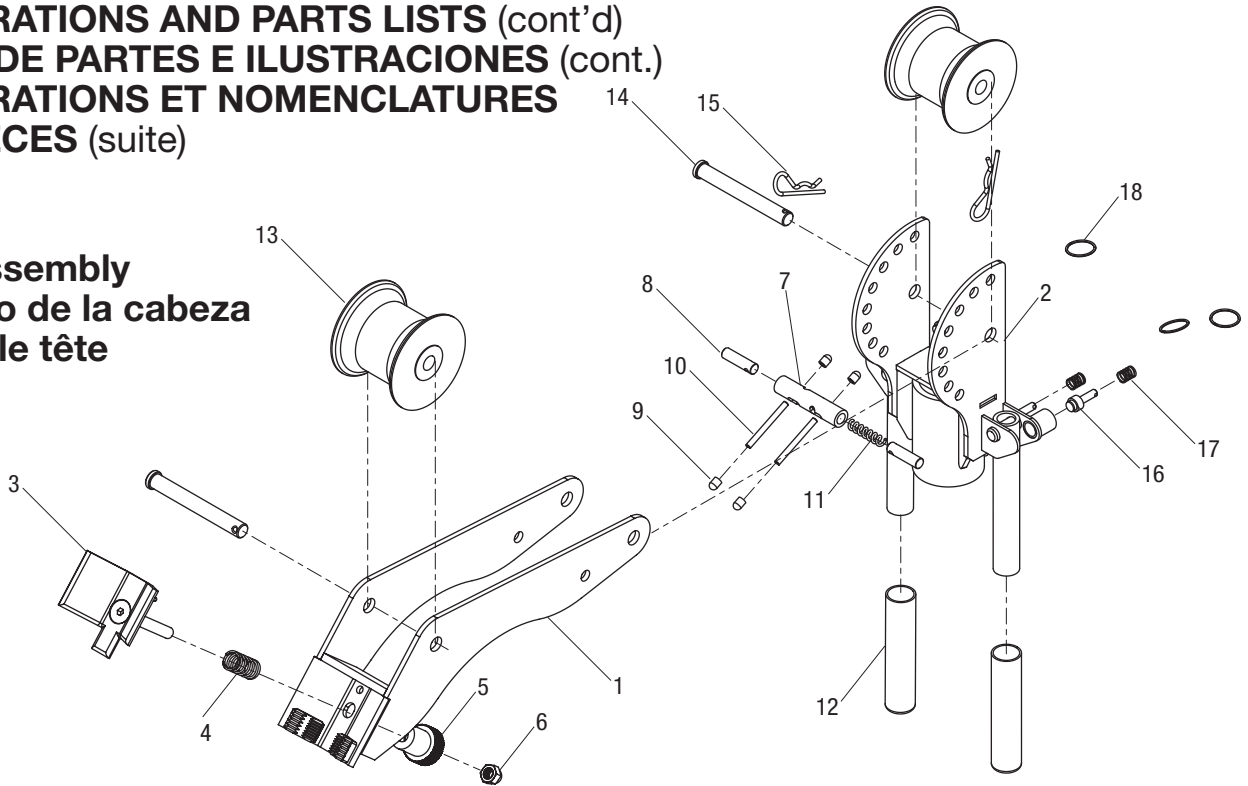
**G3 Tugger® Cable Pulling System
G3 Tugger® Sistema de tracción de cables
Système de treuil à câble G3 Tugger®**

Key	Part No.	Description	Qty
1	52066724	Nose assembly	1
2	52066725	Tube extension, top weldment (painted)	1
3	52066726	Tube extension, middle assembly.....	1
4	52066727	Motor adapter assembly.....	1
5		Dolly base assembly	1
6		Motor assembly	1
7		Clip, hitch pin.....	3
8		Pin, clevis.....	3
	52066173	Dolly assembly kit [includes 5, 7 (1), 8 (1)]	
	52066174	Motor assembly kit [includes 6, 7 (2), 8 (2)]	



ILLUSTRATIONS AND PARTS LISTS (cont'd)
LISTAS DE PARTES E ILUSTRACIONES (cont.)
ILLUSTRATIONS ET NOMENCLATURES
DES PIÈCES (suite)

Head Assembly
Conjunto de la cabeza
Ensemble tête

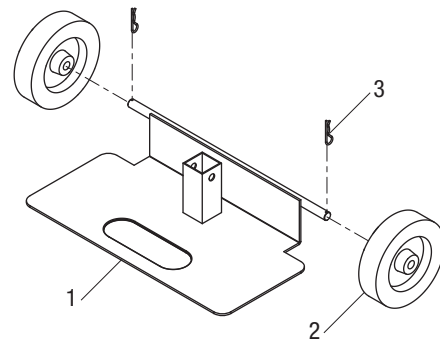


Key	Part No.	Description	Qty
1	52066728	Nose weldment.....	1
2		Nose weldment, hinged.....	1
3		Clamp weldment assembly	1
4		Spring, compression, .53 x .66 x 1.25 (H6245A)	1
5		Nut	1
6		Nut, acorn-light, 3/8-16	1
7		Sleeve detent, black oxide.....	1
8		Detent, black oxide.....	2
9		Grip detent, 0.187	4
10		Rollpin, .187 x 2.00	2
11		Spring, compression, .177 ID x .329 OD x 1.410/1.420 L	1

Key	Part No.	Description	Qty
12		Grip	2
13	52066741	Sheave	2
14		Pin, clevis, ø 1/2 x 4.....	2
15		Clip, hitch pin, ø .12 x 2.56.....	2
16		Plunger.....	3
17		Spring, collar.....	3
18		Ring, pull.....	3
	52066177	Nose handle assembly kit (includes 2, 12)	
	52066175	Clamp assembly kit (includes 3-6)	
	52063080	Lock pin assembly kit (includes 7-11)	
	52066176	Spring-loaded pin assembly kit (includes one each of 16-18)	

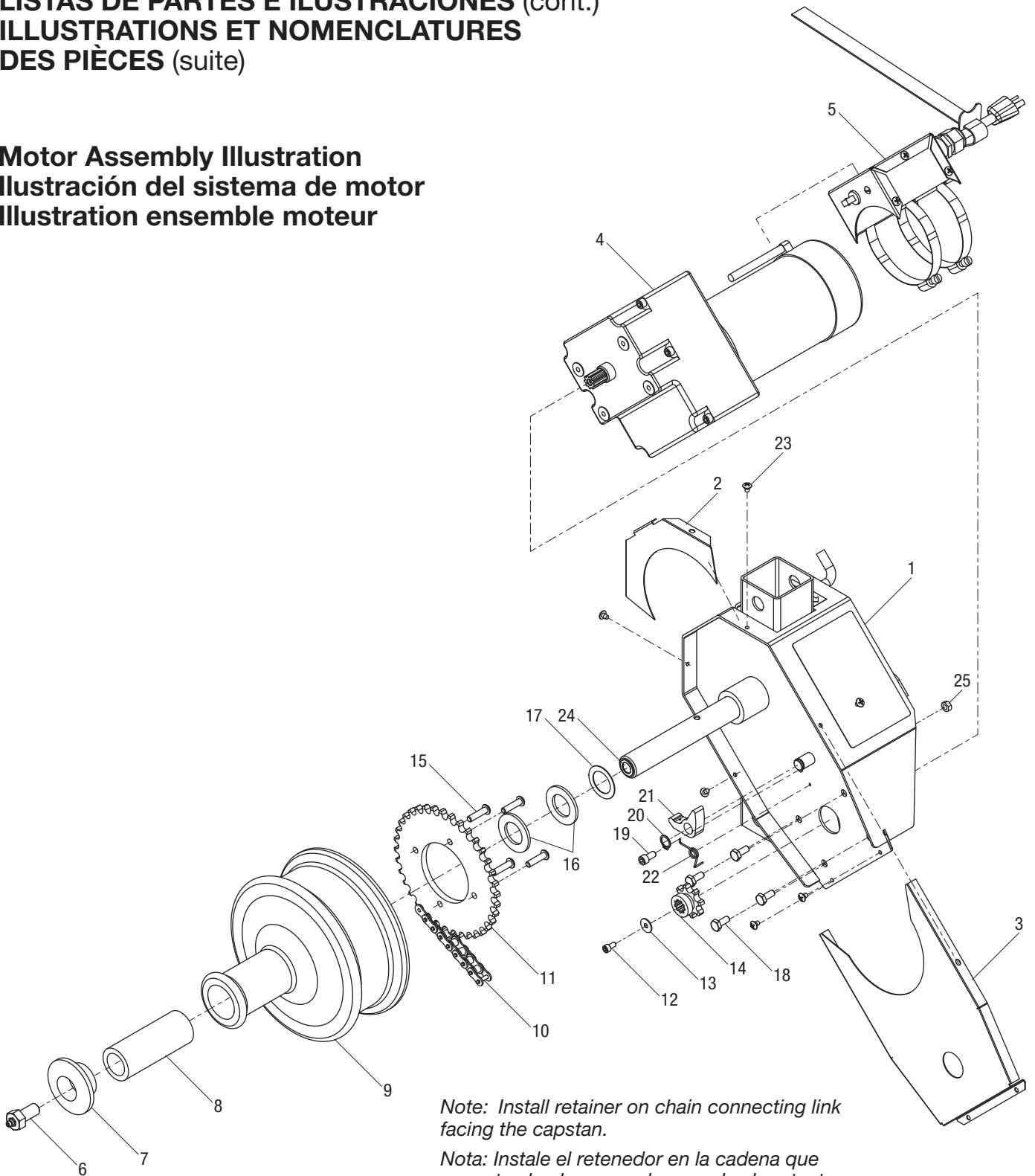
Mobile Carriage / Carro móvil

Key	Part No.	Description	Qty
1	52066729	Dolly bottom plate weldment	1
2		Wheel.....	2
3		Clip, hitch pin.....	2
	52066178	Wheel assembly kit (includes 2, 3)	



ILLUSTRATIONS AND PARTS LISTS (cont'd)
LISTAS DE PARTES E ILUSTRACIONES (cont.)
ILLUSTRATIONS ET NOMENCLATURES
DES PIÈCES (suite)

Motor Assembly Illustration
Ilustración del sistema de motor
Illustration ensemble moteur



Note: Install retainer on chain connecting link facing the capstan.

Nota: Instale el retenedor en la cadena que conecta el enlace que da cara al cabrestante.

Remarque : installer la retenue sur le lien de connexion de chaîne faisant face au cabestan.

ILLUSTRATIONS AND PARTS LISTS (cont'd)
LISTAS DE PARTES E ILUSTRACIONES (cont.)
ILLUSTRATIONS ET NOMENCLATURES DES PIÈCES (suite)

Motor Assembly Parts List
Lista de partes de sistema de motor
Nomenclature des pièces de l'ensemble moteur

Key	Part No.	Description	Qty	Key	Part No.	Description	Qty
1	52066885	Frame weldment assembly.....	1	17		Washer, flat, 1.00 x 1.50 x .031 fiber	1
2		Guard, chain (bottom).....	1	18		Screw, cap, 1/4-20 x .625 hex hd.....	4
3		Guard, chain (top).....	1	19		Screw, cap, 1/4-20 x .500 skt hd.....	1
4		Gearmotor.....	1	20		Ring, retaining, .500 Truarc #5100 EX...	1
5		Electrical box assembly.....	1	21		Pawl.....	1
6		Screw unit.....	1	22		Spring, torsion.....	1
7		Cap, end.....	1	23		Screw, slftpg-phll hd, #10-16 x .250.....	6
8		Spacer.....	1	24		Washer, shim, ø .5 ID x ø .75 OD x .031.....	2
9	52066743	Capstan assembly.....	1	25		Nut, hex, 1/4-20.....	1
10		Chain, roller, #40, 1/2" pitch.....	1		52066182	Motor guard assembly kit (includes 2, 3, 23)	
11		Sprocket, driver.....	1		52066181	Motor assembly kit (includes 4, 5)	
12		Screw, cap, #10-32 x 3/8.....	1		52066179	Capstan unit assembly kit (includes 6-9, 16, 17)	
13		Washer, flat, #10 x 5/8 OD.....	1		52066180	Sprocket unit assembly kit (includes 10-15)	
14		Sprocket.....	1		52066183	Pawl assembly kit (includes 19-22, 25)	
15		Screw, cap, sbh, 1/4-20 x 1.00.....	4		52054433	Armature and field	
16		Washer, thrust.....	2		52054434	Brush and cap	