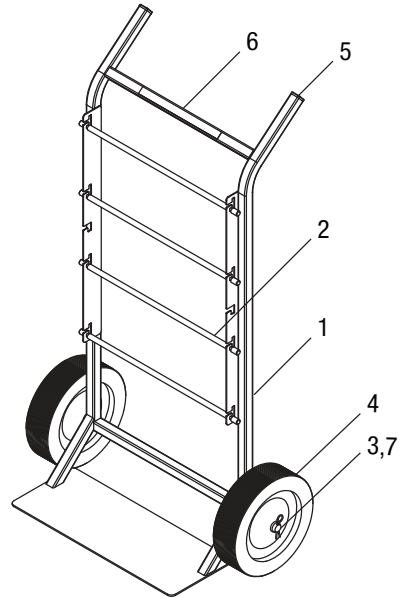


INSTRUCTION MANUAL



9505 Hand Truck/ Wire Cart



Specifications

Weight	37 lb (17 kg)
Length	47.49" (1206 mm)
Width	27.50" (699 mm)
Capacity	12 spools of 500' (152 m) 12 ga. wire or 8 spools of 500' (152 m) 10 ga. wire
Maximum Weight of All Spools.....	200 lb (90.7 kg)
Maximum Weight per Spindle	50 lb (23 kg)
Maximum Spool Diameter	7.5" (190 mm)
Maximum Dolly Lift	250 lb (113.4 kg)
Maximum Total Spool Width per Spindle.....	17.5" (445 mm)

Parts List

Key	Part No.	Description	Qty
	50012053	Hand truck/wire cart	
1		Main frame.....	1
2	50012070	Spool.....	4
3*		Axle, 3/4 x 27-1/2 rod.....	1
4*	90522850	Wheel, 10" x 2-3/4"	2
5		Plastic square plug, 1"	2
6		Decal, identification/warning	1
7		Pin, cotter	2


* Order service parts 50012088 (wheel) and 52047861 (axle) for earlier models of the 9505 cart.



Read and understand all of the instructions and safety information in this manual before operating or servicing this tool.

Register this product at www.greenlee.com

IMPORTANT SAFETY INFORMATION



SAFETY ALERT SYMBOL

This symbol is used to call your attention to hazards or unsafe practices which could result in an injury or property damage. The signal word, defined below, indicates the severity of the hazard. The message after the signal word provides information for preventing or avoiding the hazard.

⚠ DANGER


Immediate hazards which, if not avoided, WILL result in severe injury or death.

⚠ WARNING

Hazards which, if not avoided, COULD result in severe injury or death.

⚠ CAUTION

Hazards or unsafe practices which, if not avoided, MAY result in injury or property damage.



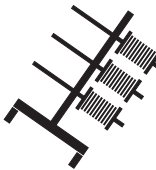
⚠ CAUTION

Read and understand all of the instructions and safety information in this manual before operating or servicing this tool.

Failure to observe this precaution may result in injury or property damage.

All specifications are nominal and may change as design improvements occur. Greenlee Tools, Inc. shall not be liable for damages resulting from misapplication or misuse of its products.
 ® Registered: The color green for material handling equipment is a registered trademark of Greenlee Tools, Inc.

KEEP THIS MANUAL




⚠ CAUTION

Tipping hazard:

- Do not unreel wire when the dispenser is in the upright position. **Dispenser must be in the horizontal position during operation.**
- Load and unload sides equally. Load bottom spindles first, and unload top spindles first.

Failure to observe this precaution may result in injury or property damage.



⚠ CAUTION

Do not use as a step or ladder.

Failure to observe this precaution may result in injury or property damage.

⚠ CAUTION

- Make sure bystanders are clear of the work area when loading, unloading or dispensing wire. Nearby personnel can be injured if wire dispenser falls.
- Do not use the wire dispenser for wire with damaged spools. Damaged spools may not turn freely and may pull over the dispenser.
- Use only on a hard, flat, level surface.
- Do not exceed the rated capacity of this tool.

Failure to observe these precautions may result in injury or property damage.

⚠ CAUTION

Use this tool for manufacturer's use only. Use other than that which is described in this manual may result in injury or property damage.

Note: Keep all decals clean and legible, and replace when necessary.