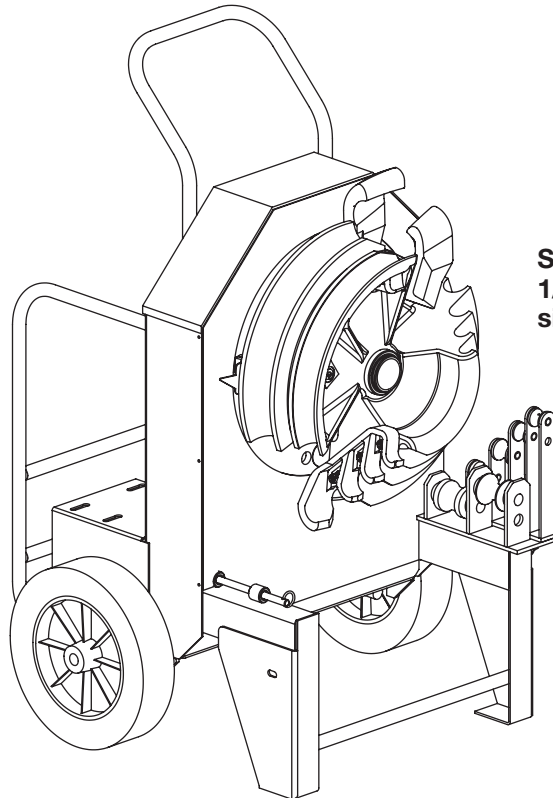


INSTRUCTION MANUAL



Shown with optional
1/2" to 2" rigid
single-shoe group

Français	45
Español.....	89

555C Electric Bender Classic

Serial Codes AFB and ADE



GREENLEE.COM/QR/555C

Read and understand all of the instructions and safety information in this manual before operating or servicing this tool.

Register this product at www.greenlee.com

Table of Contents

Description	2
Safety	2
Purpose of this Manual	2
Important Safety Information	3-4
Grounding Instructions	5
Identification	6
Specifications	6
Bending Attachment Groups	7-8
Setup	9-10
Operation	11-13
Illustrated Bending Glossary	14
Bending Instructions	15-16
Additional Bending Instructions	17-19
Additional Bending Tables	20-26
Handle Removal and Replacement	27
Transportation	27
Maintenance	28
Troubleshooting	29-31
Illustrations and Parts Lists	32-34
Schematic Diagram	35
Control Assembly	36
Bending Shoes and Roller Supports	37-43

Description

The Greenlee 555C Electric Bender Classic is intended to bend 1/2" to 2" conduit and pipe.

Bending shoe groups are available to accommodate the following types:

- Electrical Metallic Tubing
- Intermediate Metallic Conduit
- Rigid Conduit
- PVC-Coated Rigid Conduit
- Schedule 40 Pipe

The shoe groups are shown in the "Bending Attachment Groups" section of this manual.

Safety

Safety is essential in the use and maintenance of Greenlee tools and equipment. This instruction manual and any markings on the tool provide information for avoiding hazards and unsafe practices related to the use of this tool. Observe all of the safety information provided.

Purpose of this Manual

This manual is intended to familiarize personnel with the safe operation and maintenance procedures for the following Greenlee tool:

555C Electric Bender Classic
Serial Codes AFB and ADE

Keep this manual available to all personnel.

Replacement manuals are available upon request at no charge at www.greenlee.com.



Do not discard this product or throw away!

For recycling information, go to www.greenlee.com.

All specifications are nominal and may change as design improvements occur. Greenlee Tools, Inc. shall not be liable for damages resulting from misapplication or misuse of its products.

Loctite is a registered trademark of Henkel Corp.

Mobil is a registered trademark of Mobil Oil Corporation.

KEEP THIS MANUAL

IMPORTANT SAFETY INFORMATION



SAFETY ALERT SYMBOL

This symbol is used to call your attention to hazards or unsafe practices which could result in an injury or property damage. The signal word, defined below, indicates the severity of the hazard. The message after the signal word provides information for preventing or avoiding the hazard.

⚠ DANGER

Immediate hazards which, if not avoided, **WILL** result in severe injury or death.

⚠ WARNING

Hazards which, if not avoided, **COULD** result in severe injury or death.

⚠ CAUTION

Hazards or unsafe practices which, if not avoided, **MAY** result in injury or property damage.



⚠ DANGER

Read and understand all of the instructions and safety information in this manual before operating or servicing this tool.

Failure to observe this warning will result in severe injury or death.



⚠ DANGER

Do not use this tool in a hazardous environment. Hazards include flammable liquids, gases, or other materials. Using this tool in a hazardous environment can result in a fire or explosion.

Failure to observe this warning will result in severe injury or death.



⚠ WARNING

Electric shock hazard:

- Connect the power cord to a 120 volt, 20 amp receptacle on a ground fault protected circuit only. See "Grounding Instructions."
- Do not modify the power cord or plug.
- Inspect the power cord before use. Repair or replace the cord if damaged.
- Disconnect from power before servicing.

Failure to observe these warnings could result in severe injury or death.



⚠ WARNING

- Do not expose to rain.
- Do not use in wet or damp locations.

Failure to observe these warnings could result in severe injury or death.



⚠ WARNING

Wear eye protection when operating or servicing this tool.

Failure to wear eye protection could result in serious eye injury from flying debris.




⚠ WARNING

Do not remove guards.




Failure to observe this warning could result in severe injury or death.

IMPORTANT SAFETY INFORMATION

	<p>⚠ WARNING</p>
	<p>Extension cords:</p> <ul style="list-style-type: none"> • Use only three-wire, 12-gauge extension cords that have three-prong grounding-type plugs and three-hole receptacles that accept the tool's plug. • Do not use extension cords that are longer than 30 m (100'). • Repair or replace damaged extension cords. <p>Failure to observe these warnings could result in severe injury or death.</p>

<p>⚠ WARNING</p>
<p>Make sure that the handle is properly installed and secured with the safety spring clips and snap pins before lifting or moving the bender. An improperly installed handle could allow the bender to fall, injuring nearby personnel.</p> <p>Failure to observe this warning could result in severe injury or death.</p>

	<p>⚠ WARNING</p>
	<p>Pinch points:</p> <p>Keep hands away from bending shoe, rollers and conduit when bender is in use.</p> <p>Failure to observe this warning could result in severe injury or death.</p>


<p>⚠ WARNING</p>
<p>Unplug the bender before changing accessories. Accidental start-up could result in serious injury.</p>

	<p>⚠ CAUTION</p>
	<p>Do not use as a step or ladder.</p> <p>Failure to observe this precaution could result in injury or property damage.</p>

<p>⚠ CAUTION</p>
<ul style="list-style-type: none"> • Conduit moves rapidly as it is bent. The path of the conduit must be clear of obstructions. Be sure clearance is adequate before starting the bend. • Do not operate the bender while wearing loose clothing. Loose clothing can get caught in moving parts. • Inspect the bender before use. Replace worn, damaged or missing parts with Greenlee replacement parts. A damaged or improperly assembled component could break and strike nearby personnel. • Some bender parts and accessories are heavy and may require more than one person to lift and assemble. • Use this tool for the manufacturer's intended purpose only. Use other than that which is instructed in this manual can result in injury or property damage. <p>Failure to observe these precautions could result in injury or property damage.</p>

Note: Keep all decals clean and legible, and replace when necessary.

Grounding Instructions

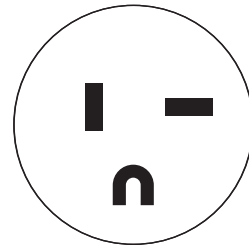
	⚠ WARNING
	<p>Electric shock hazard:</p> <ul style="list-style-type: none">• Do not modify the plug provided with the tool.• Connect this tool to a grounded receptacle on a 20 amp ground fault protected circuit. <p>Failure to observe these warnings could result in severe injury or death.</p>

This tool must be grounded. In the event of a malfunction or breakdown, an electrical ground provides a path of least resistance for the electric current. This path of least resistance is intended to reduce the risk of electric shock.

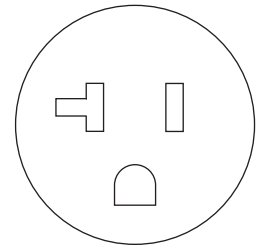
This tool's electric cord has a grounding conductor and a grounding plug as shown. Do not modify the plug. Connect the plug to a corresponding GFCI-protected receptacle that is properly installed and grounded in accordance with all national and local codes and ordinances.

Do not use an adapter.

20 Amp/120 Volt Plug and Receptacle



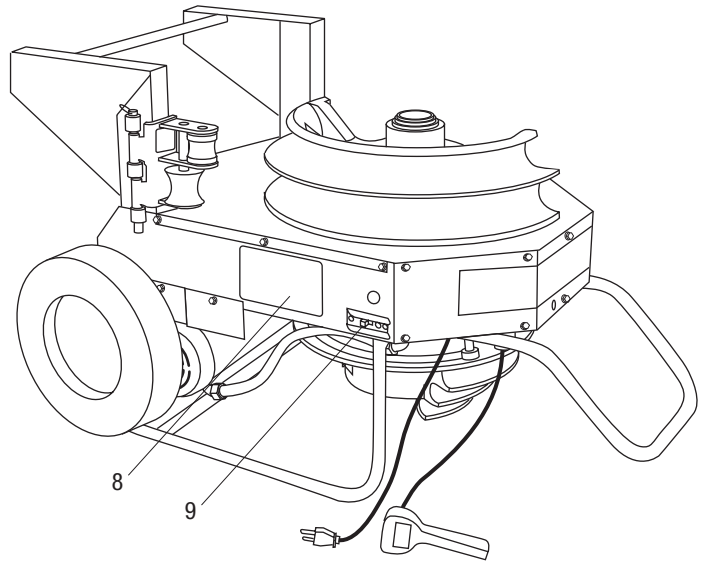
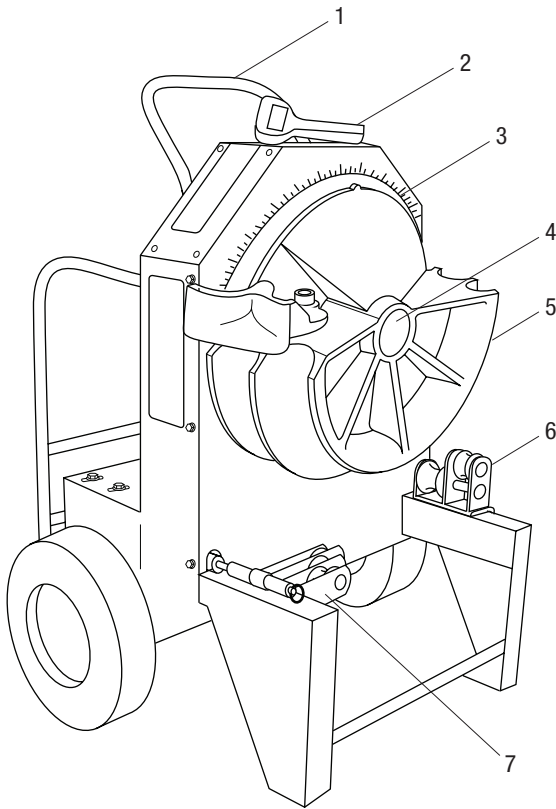
Plug



Receptacle

Do not modify the plug provided. If it will not fit the outlet, have the proper outlet installed by a qualified electrician. Improper connection of the equipment-grounding conductor can result in a risk of electric shock. The conductor with insulation having an outer surface that is green with or without yellow stripes is the equipment-grounding conductor. If repair or replacement of the electric cord or plug is necessary, do not connect the equipment-grounding conductor to a live terminal. Check with a qualified electrician or service personnel if the grounding instructions are not completely understood, or if in doubt as to whether the tool is properly grounded.

Identification



555RC Electric Bender (shown)

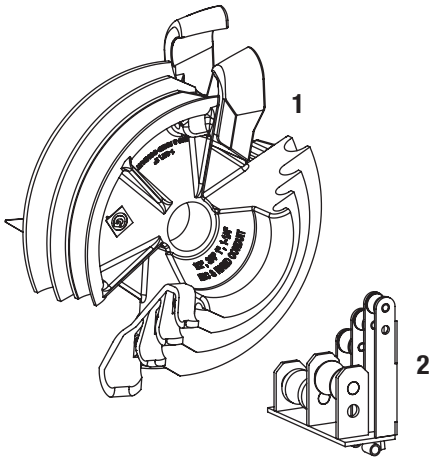
- | | |
|-----------------|--|
| 1. Handle | 6. 1-1/2" to 2" Roller Support |
| 2. Pendant | 7. 1/2" to 1-1/4" Roller Support (in storage position) |
| 3. Protractor | 8. Bending Instructions Decal |
| 4. Main Shaft | 9. Circuit Breaker (ON/OFF switch) |
| 5. Bending Shoe | |

Specifications

Height	1118 mm (44")
Width	724 mm (28.5")
Depth	521 mm (20.5")
Mass/Weight (bender without shoes or roller supports).....	118 kg (260 lb)
Power Supply	120 VAC, 20 amp GFCI-protected receptacle
Operating Conditions	
Temperature	-20 °C to 49 °C (-5 °F to 120 °F)
Relative Humidity	0 to 98%
Capacity	1/2" to 2" conduit, schedule 40 pipe

Bending Attachment Groups

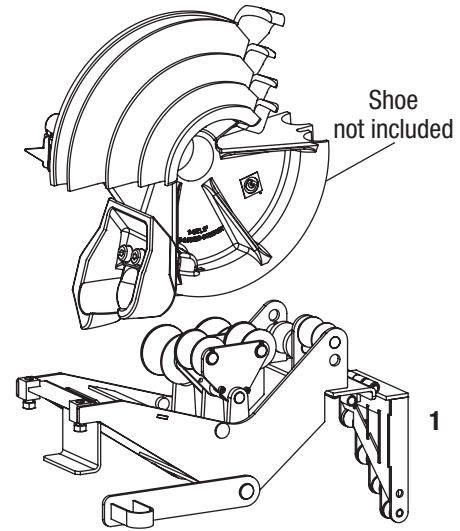
RIGID SINGLE SHOE



28008: 1/2" to 2" Rigid
1/2" to 1-1/4" IMC
1/2" to 2" Schedule 40 Pipe

Key	UPC No. 78-3310-	Description
1	02548	Bending shoe for 1/2" to 2"
2	02549	Roller support unit for 1/2" to 2"
	23818	Storage box

IMC SINGLE SHOE

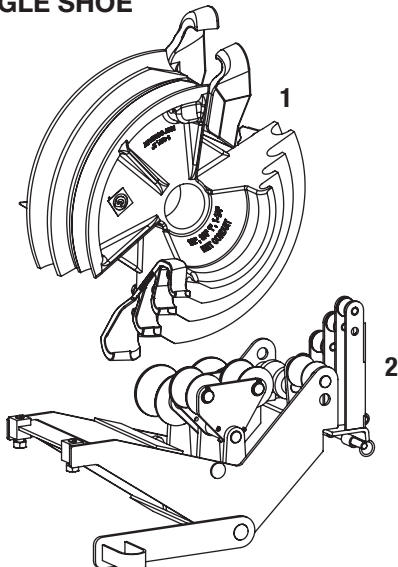


01323: 1/2" to 2" IMC

Key	UPC No. 78-3310-	Description
1	01323	Roller support assembly

Note: 02548 rigid/IMC shoe is required to use the 01323 roller support on the 555C bender.

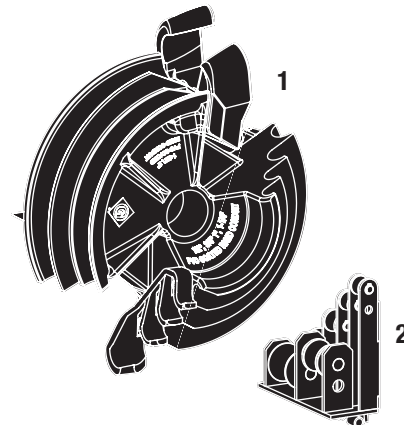
EMT SINGLE SHOE



23803: 1/2" to 2" EMT

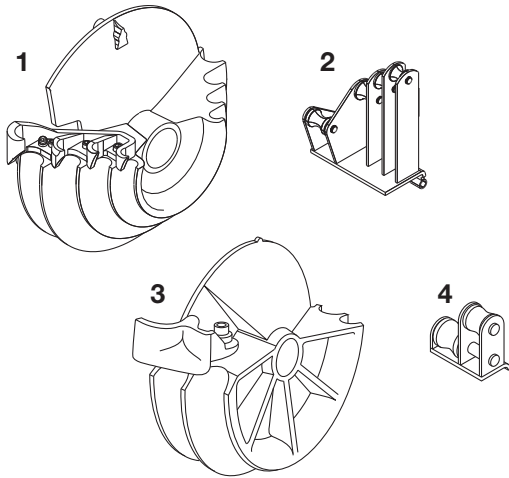
Key	UPC No. 78-3310-	Description
1	02543	Bending shoe for 1/2" to 2"
2	02544	Roller support unit for 1/2" to 2"
	23818	Storage box

PVC-COATED RIGID SINGLE SHOE



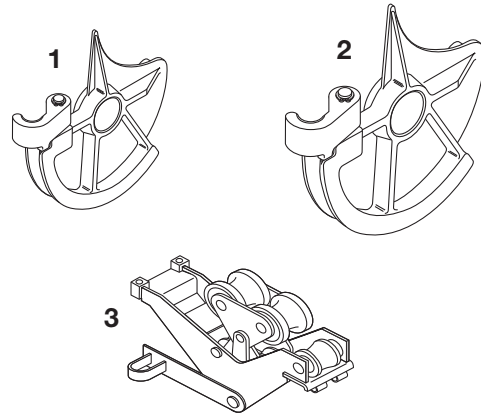
12586: 1/2" to 2" 40 Mil PVC-Coated Rigid

Key	UPC No. 78-3310-	Description
1	02553	Bending shoe for 1/2" to 2"
2	02554	Roller support unit for 1/2" to 2"
	23818	Storage box

Bending Attachment Groups (cont'd)
RIGID


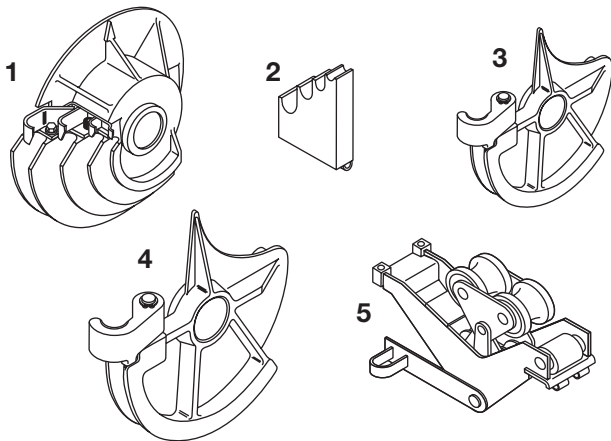
**28007: 1/2" to 1-1/4" IMC
1/2" to 2" Rigid Steel
1/2" to 2" Schedule 40 Pipe**

Key	UPC No. 78-3310-	Description
1	00571	Bending shoe for 1/2" to 1-1/4"
2	00936	Roller support unit for 1/2" to 1-1/4"
3	17937	Bending shoe for 1-1/2" to 2"
4	17984	Roller support unit for 1-1/2" to 2"

IMC


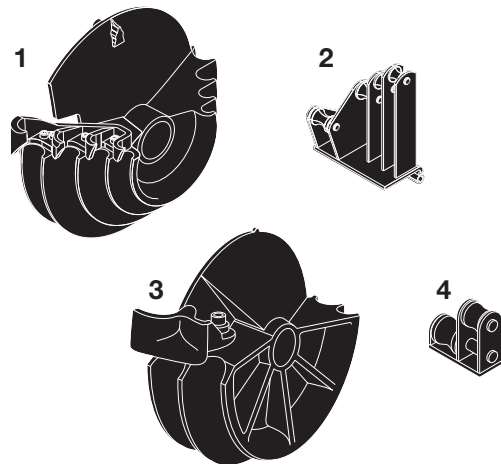
26330: 1-1/2" to 2" IMC

Key	UPC No. 78-3310-	Description
1	25263	Bending shoe for 1-1/2"
2	25268	Bending shoe for 2"
3	25273	Roller support unit for 1-1/2" to 2"
	23818	Storage box

EMT


23802: 1/2" to 2" EMT

Key	UPC No. 78-3310-	Description
1	17944	Bending shoe for 1/2" to 1-1/4"
2	17986	Roller support unit for 1/2" to 1-1/4"
3	23499	Bending shoe for 1-1/2"
4	23505	Bending shoe for 2"
5	23541	Roller support unit for 1-1/2" to 2"
	23818	Storage box

PVC-COATED RIGID


37279: 1-1/2" to 2" 40 Mil PVC-Coated Rigid

Key	UPC No. 78-3310-	Description
1	00573	Bending shoe for 1/2" to 1-1/4"
2	00946	Roller support unit for 1/2" to 1-1/4"
3	37281	Bending shoe for 1-1/2" to 2"
4	37282	Roller support unit for 1-1/2" to 2"
	23818	Storage box

Setup**⚠ WARNING**

Wear eye protection when operating or servicing this tool.

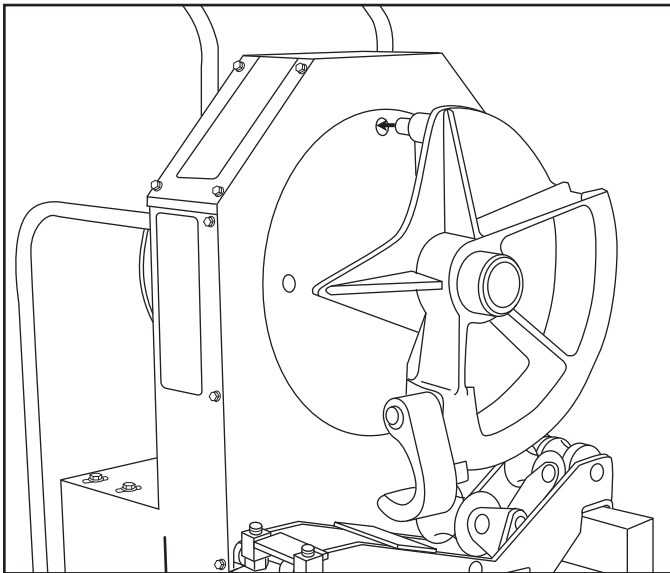
Failure to wear eye protection could result in serious eye injury from flying debris.

⚠ WARNING

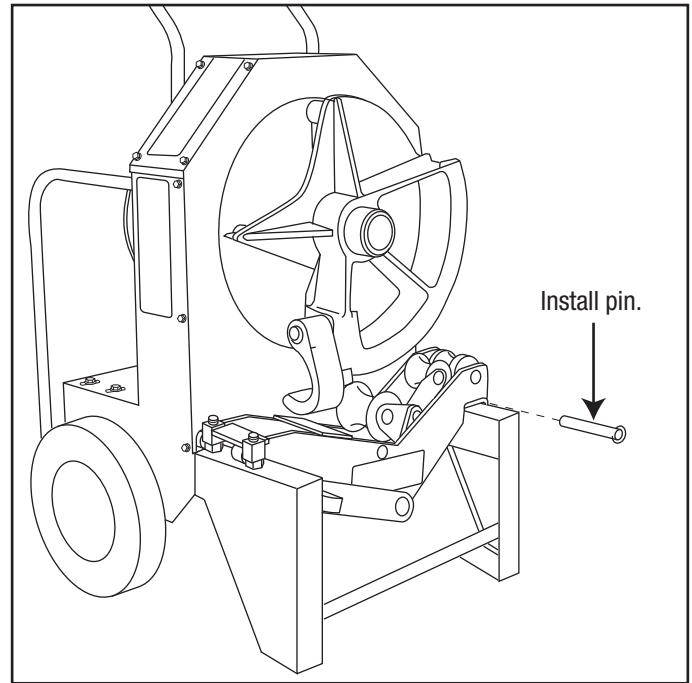
Unplug the bender before changing accessories. Accidental start-up could result in serious injury.

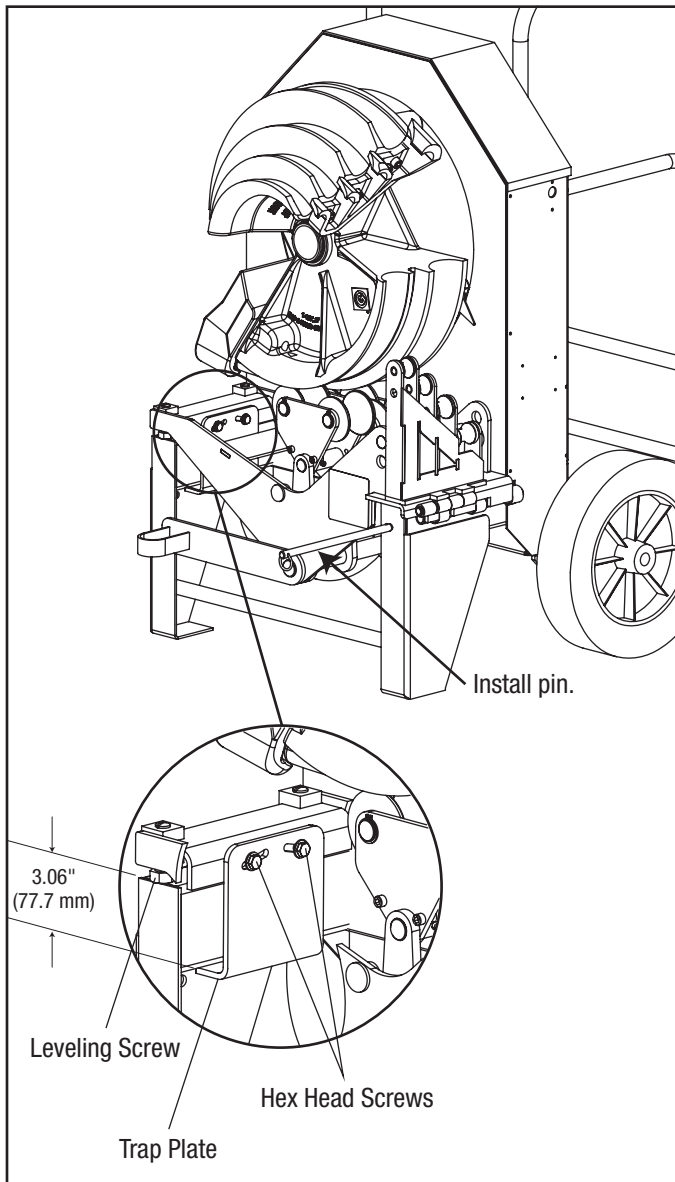
1. Slide the appropriate bending shoe onto the shaft of the main sprocket, as shown. Align the four drive studs on the back of the shoe with the four holes in the main sprocket.

Note: 1-1/2" and 2" EMT and IMC single-groove bending shoes have only three drive studs.

**Installing a Bending Shoe**

2. Mount the appropriate support unit onto the leg of the bender and install the hinge pin, as shown.


**Roller Support Unit Installed**


Setup (cont'd)**IMC Single-Shoe Roller Support Unit Installed**

Note: The IMC single-shoe roller support has a trap plate that may require adjustment to properly fit around the leg of the bender. Verify that the trap plate is 3.06" (77.7 mm) below the leveling screws. If necessary, loosen the two hex head screws and adjust the distance. Retighten the screws.

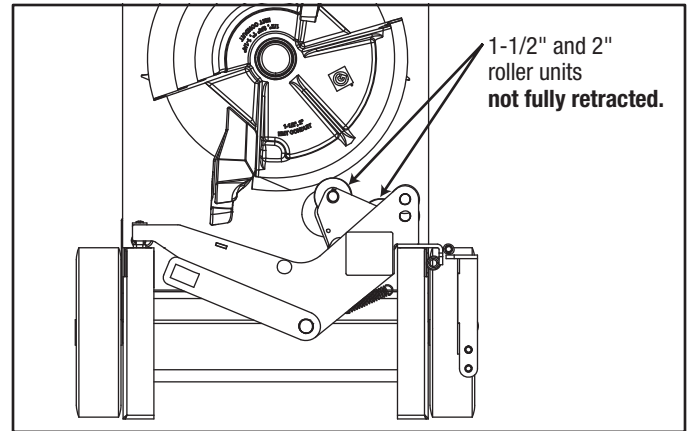
3. Mark the conduit. See the decals on the bender or the "Additional Bending Instructions" section of this manual.
4. Place the bender in either the vertical or horizontal bending position.

Operation

	⚠ WARNING
	<p>Wear eye protection when operating or servicing this tool.</p> <p>Failure to wear eye protection could result in serious eye injury from flying debris.</p>

	⚠ WARNING
	<p>Pinch points:</p> <p>Keep hands away from bending shoe, rollers and conduit when bender is in use.</p> <p>Failure to observe this warning could result in severe injury or death.</p>

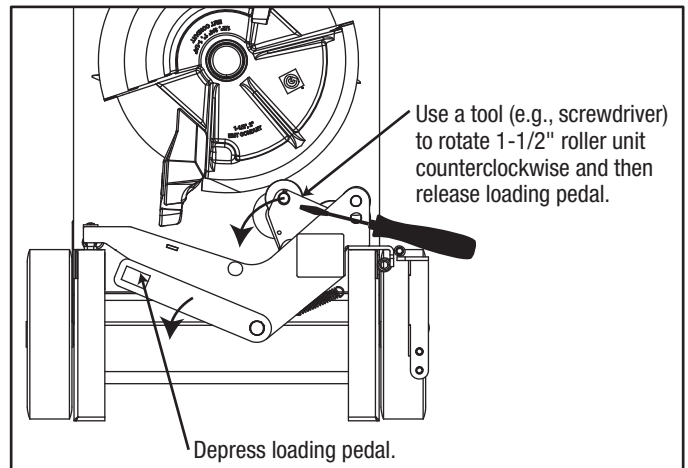
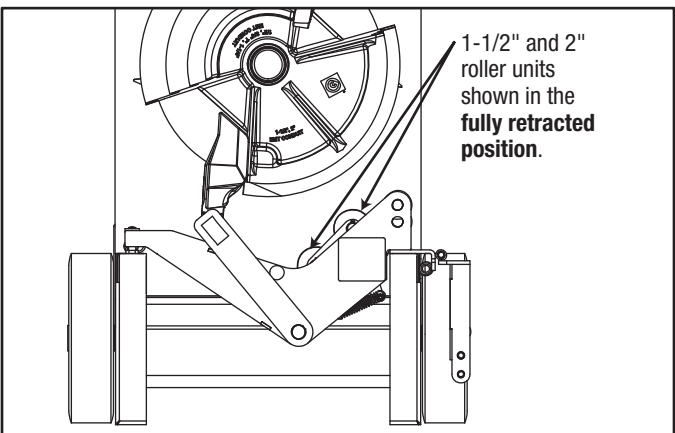
⚠ WARNING
<p>Do not operate the bender while wearing loose clothing. Loose clothing can get caught in moving parts.</p> <p>Failure to observe this warning could result in severe injury or death.</p>



To fully retract the rollers, depress the loading pedal until the arm contacts the stop and remove your foot from the loading pedal. The 1-1/2" and 2" roller units should drop into the fully retracted position. If not, use one hand to slightly press the loading pedal, and use a tool (e.g., screwdriver) to adjust the roller so that both rollers rotate counterclockwise to the retracted position. Using a tool to adjust the roller will keep hands and fingers clear from any potential pinch points.

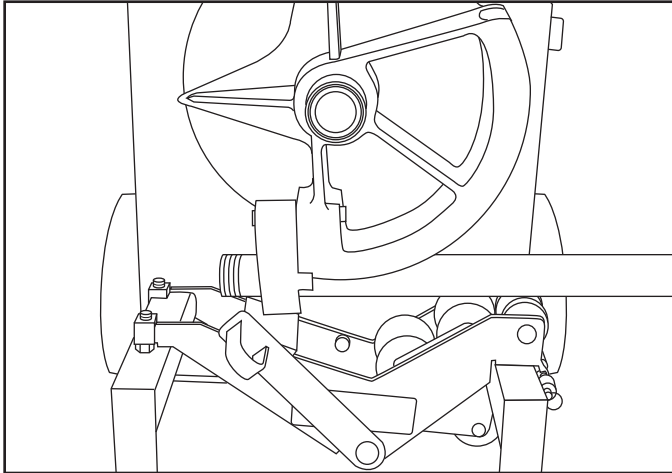
RETRACTING 1-1/2" AND 2" ROLLER UNITS

Note: The 02544 EMT bridge unit and 01323 IMC/rigid bridge unit have a spring to properly engage the 1-1/2" and 2" roller units when the loading pedal is depressed. Before loading conduit or rotating the shoe hook past the rollers, check that the 1-1/2" and 2" roller units are in the fully retracted position as shown.



Operation (cont'd)**BENDING CONDUIT**

1. Plug the cord into an appropriate receptacle. See "Grounding Instructions."
2. Press BEND or UNLOAD until the shoe is 5° to 10° before the 0° starting point.
3. Load the conduit so that the bending mark is aligned with the front edge of the shoe hook, as illustrated.

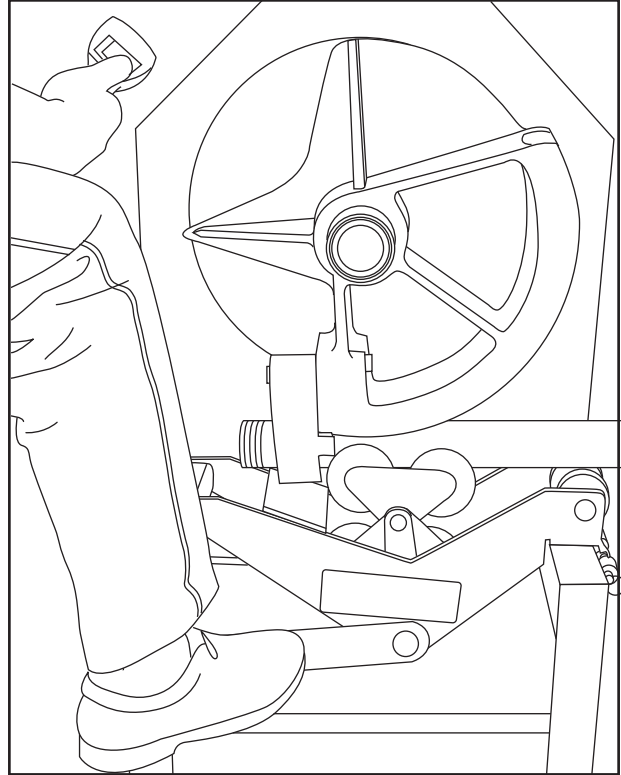
**Loading the Conduit**

4. See the instruction decal for the appropriate bend angle.

5. Bend the conduit:

If bending 1-1/2" to 2" EMT or IMC:

- a. Place one foot on the loading pedal, as shown.

**Engaging the Loading Pedal
(for 1-1/2" to 2" EMT or IMC only)**

- b. Press and hold BEND. The bender will pull up the roller support. When the roller support contacts the stop, remove your foot from the loading pedal.
 - c. Release the switch as you approach the desired angle of bend.
 - d. Press BEND momentarily until the bend is complete.
- If bending any other size or type of conduit:**
- a. Press and hold BEND.
 - b. Release the switch as you approach the desired angle of bend.
 - c. Press BEND momentarily until the bend is complete.
6. Press UNLOAD. The shoe will rotate backward.
Note: If bending EMT or IMC, the roller support unit will drop to its original position.
 7. Twist the conduit to release it from the hook. Remove the conduit.
 8. Press and hold UNLOAD until the shoe has rotated back to 0°.

Operation (cont'd)

ADJUSTING THE SQUEEZE

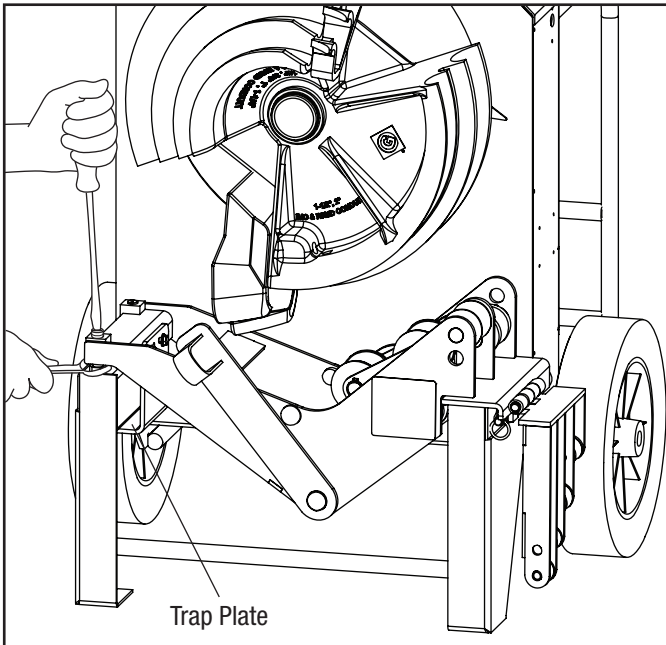
When bending 1-1/2" to 2" EMT or IMC, the roller support must be engaged so that it contacts the conduit; the pressure against the conduit is the "squeeze."

Due to variations in conduit, the standard adjustment may provide too much or too little squeeze. If the conduit develops excessive side marking when bent, the squeeze is set too high. If the conduit becomes excessively oval or wrinkled, the squeeze is set too low.

1. Use a screwdriver to loosen the set screws.
2. Use a wrench to rotate both adjusting bolts 1/2 turn clockwise to INCREASE squeeze or 1/2 turn counterclockwise to DECREASE squeeze.

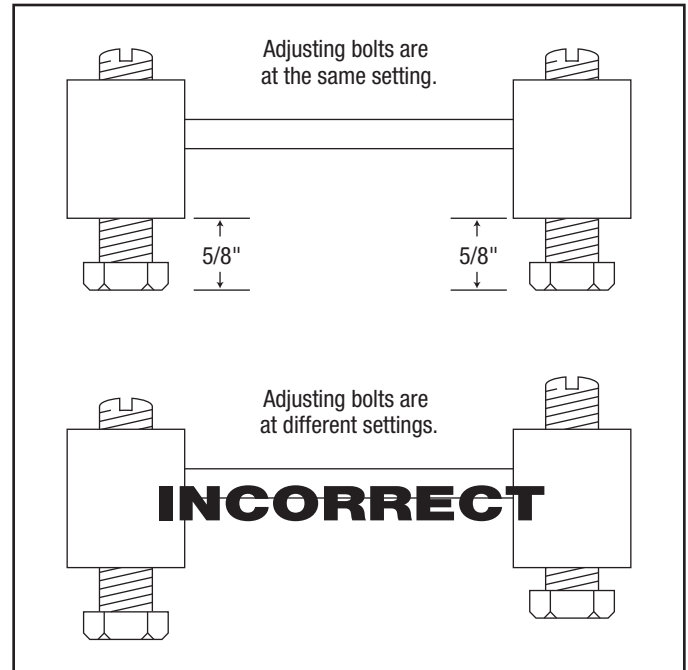
Note: In order to distribute the load evenly, adjust both bolts to the same setting. See the illustration.

3. Tighten the set screws.



Adjusting the Squeeze

Note: The IMC single-shoe roller support has a trap plate that may require adjustment to allow an increase in squeeze. Refer to the trap plate adjustment procedures under "Setup."

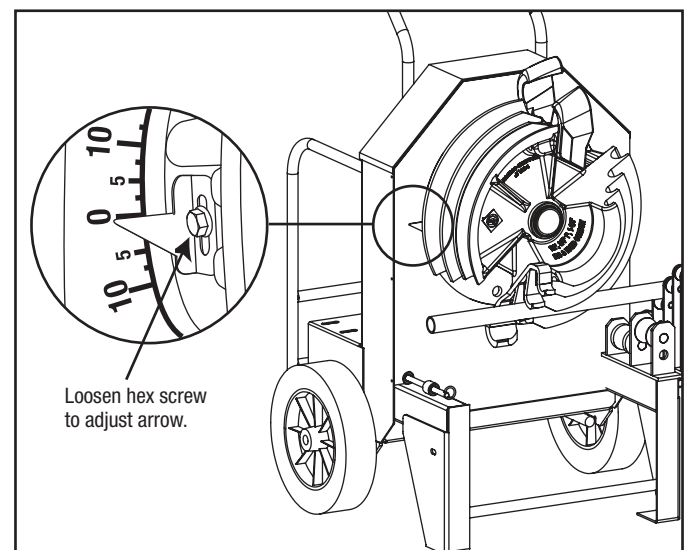


Standard Squeeze Setting

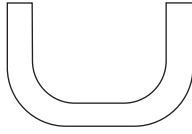
ARROW ADJUSTMENT

The arrows on the single shoes can be adjusted to compensate for variations in conduit.

1. Load the conduit into the proper shoe groove.
2. Press BEND momentarily until the shoe rotates enough so that the conduit is snug in the hook.
3. Verify that the arrow position is aligned with 0° on the front protractor scale. If necessary, loosen the hex head screw and adjust the arrow to align with 0°. Retighten the hex head screw, as shown.

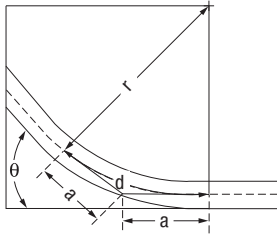


Illustrated Bending Glossary



back-to-back bend — any U-shaped bend formed by two parallel 90° bends with a straight section of conduit or pipe between the bends.

center-to-center distance — the distance between the successive bends that make up an offset or a three-bend saddle.



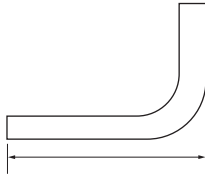
developed length — the actual length of pipe that will be bent; refer to distance “d” in the illustration at left.

gain — the difference between the straight-line distance ($a + a$) and the shorter radial distance, (d) where:

θ = angle of bend

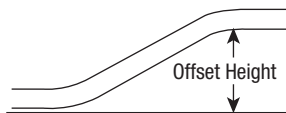
r = the centerline bending radius of the bending shoe

kick — single bend of less than 90°

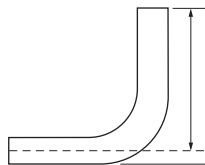


leg length — the distance from the end of a straight section of conduit or pipe to the bend; measured from the end to the outside edge of the conduit or pipe.

offset bend — two opposite bends with the same degree of bend; used to avoid an obstruction.



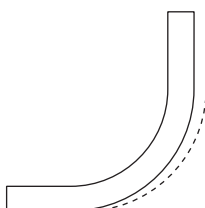
offset height — the distance between the two legs of an offset bend, measured perpendicular to the two legs; also called amount of offset and depth of offset.



rise — the distance from the end of a straight section of conduit or pipe to the bend; measured from the end to the center line of the conduit or pipe. Also called stub or stub-up.

saddle — a three-bend or four-bend combination; used to avoid an obstruction.

shrink — the amount of conduit “lost” when laying out an offset bend working toward an obstruction.



springback — the amount, measured in degrees, that a conduit or pipe tends to straighten after being bent.

Bending Instructions

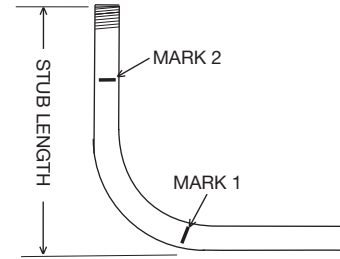
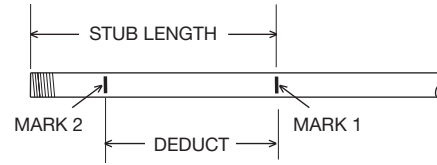
90° STUBS

1. Measure the length of the required stub.
2. See the Minimum Stub Length formula on the Deduct Table. The required stub must be equal to or longer than the Minimum Stub Length.
3. Measure and mark the stub length on the conduit. This is Mark 1. Subtract the Deduct from this mark and make a new mark. This is Mark 2.
4. Align Mark 2 with the front edge of the hook and bend the conduit.

Notes:

When the operator presses UNLOAD, the conduit may spring back a few degrees. Compensate by overbending as shown in the Scale Reading Table.

The shoes in the 28007 and 37279 groups can make a 180° bend in one shot. All other shoes bend to 90° maximum.



Deduct Table

SIZE		1/2	3/4	1	1-1/4	1-1/2	2
DEDUCT	RIGID/PVC	7-1/2	9	11	14	14-1/4	16-1/8
	EMT	7	8-7/8	10-3/4	13-1/8	13-7/8	15-3/8
	IMC	7-1/2	9	11	14	13-3/4	15-1/4
MINIMUM STUB LENGTH = DEDUCT PLUS 2 INCHES							

Figures are approximate.

Scale Reading Table

CONDUIT SIZE	RIGID					EMT					IMC					PVC-COATED				
	15°	30°	45°	60°	90°	15°	30°	45°	60°	90°	15°	30°	45°	60°	90°	15°	30°	45°	60°	90°
	1/2	18-3/4	35	50	66-1/4	96-1/4	16-1/4	32-1/2	47-1/2	63-3/4	95	20	36-1/4	51-1/4	67-1/2	98-3/4	17-1/2	33-3/4	48-3/4	65
3/4	17-1/2	32-1/2	47-1/2	63-3/4	95	17-1/2	33-3/4	48-3/4	63-3/4	95	20	36-1/4	51-1/4	67-1/2	97-1/2	17-1/2	33-3/4	48-3/4	63-3/4	95
1	17-1/2	33-3/4	48-3/4	65	95	17-1/2	32-1/2	48-3/4	65	95	21-1/4	36-1/4	51-1/4	66-1/4	97-1/2	17-1/2	32-1/2	47-1/2	63-3/4	95
1-1/4	18-3/4	33-3/4	48-3/4	63-3/4	95	17-1/2	33-3/4	48-3/4	65	95	18-3/4	33-3/4	50	65	96-1/4	18-3/4	33-3/4	50	65	95
1-1/2	18-3/4	33-3/4	48-3/4	65	95	16-1/4	31-1/4	46-1/4	61-1/4	92-1/2	17-1/2	33-3/4	48-3/4	63-3/4	95	18-3/4	33-3/4	48-3/4	65	95
2	20	35	48-3/4	63-3/4	96-1/4	17-1/2	33-3/4	48-3/4	63-3/4	95	20	35	50	65	96-1/4	20	35	48-3/4	63-3/4	96-1/4

Figures are approximate.

Scale Reading Table—Single-Shoe Groups

CONDUIT SIZE	RIGID					EMT					IMC					PVC-COATED RIGID				
	15°	30°	45°	60°	90°	15°	30°	45°	60°	90°	15°	30°	45°	60°	90°	15°	30°	45°	60°	90°
	1/2	17	33	49	64	96	16	32	48	63	95	20	36	51	67	98	16	31	47	62
3/4	17	33	48	64	95	17	33	48	64	95	19	35	50	66	97	15	31	46	62	93
1	17	32	48	63	94	17	32	48	63	94	19	35	50	66	97	16	32	47	63	94
1-1/4	17	32	48	63	94	17	32	48	63	94	19	35	50	66	97	15	30	46	61	92
1-1/2	17	32	48	63	94	19	35	50	66	97	17	33	49	64	96	18	33	49	64	95
2	17	32	48	63	94	19	34	50	65	96	19	34	50	65	96	19	34	50	65	96

Figures are approximate. Note: Due to varying conduit material properties, 1-1/2" or 2" aluminum rigid may require IMC squeeze rollers for bending. If flattening occurs, reduce the squeeze setting two positions and use IMC bending procedures.

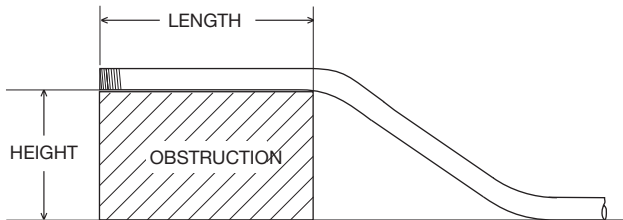
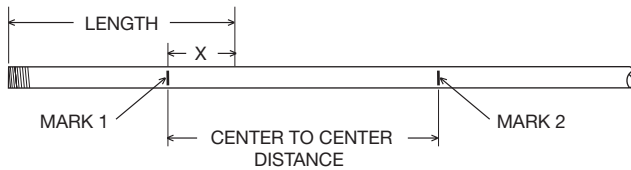
Bending Instructions (cont'd)

Offsets

1. Measure the height and length of the obstruction. Select the angle to be used.
2. See the Offset Table. The height of the obstruction must be equal to or greater than the minimum offset.
3. Refer to the X Table to find the X dimension. Refer to the Offset Table to find the center-to-center distance.

Note: If the center-to-center distance is not shown, calculate it by using the multipliers shown in the Offset Table.

4. Mark the conduit as shown.
5. Insert the conduit into the bender. Align Mark 1 with the front edge of the hook and bend the conduit.
6. Align Mark 2 with the front edge of the hook. Without removing the conduit from the bender, rotate the conduit 180°. Make the second bend.



Offset Table

OFFSET ▶		2	4	6	8	10
15°	Max. Conduit Size	3/4	1-1/2	2		
	Center-to-Center	7-3/4	15-7/16	23-3/16	30-15/16	38-5/8
30°	Max. Conduit Size		3/4	1	1-1/2	2
	Center-to-Center		8	12	16	20
45°	Max. Conduit Size			1/2	1	1-1/4
	Center-to-Center			8-1/2	11-5/16	14-1/8

OFFSET ▶		12	14	16	18	20	22
15°	Max. Conduit Size	2					
	Center-to-Center	46-3/8	54-1/16	61-13/16	69-9/16	77-1/4	85
30°	Max. Conduit Size	2					
	Center-to-Center	24	28	32	36	40	44
45°	Max. Conduit Size	1-1/2	2				
	Center-to-Center	16-15/16	19-13/16	22-5/8	25-7/16	28-1/4	31-1/8

CENTER-TO-CENTER DISTANCE = OFFSET HEIGHT x MULTIPLIER

OFFSET ANGLE	10°	15°	22-1/2°	30°	45°
MULTIPLIER	5.8	3.9	2.6	2.0	1.4

Figures are approximate

X Table

CONDUIT SIZE	1/2	3/4	1	1-1/4	1-1/2	2
"X"	3-1/16	3-1/16	3-3/16	4	4-1/4	4-1/2

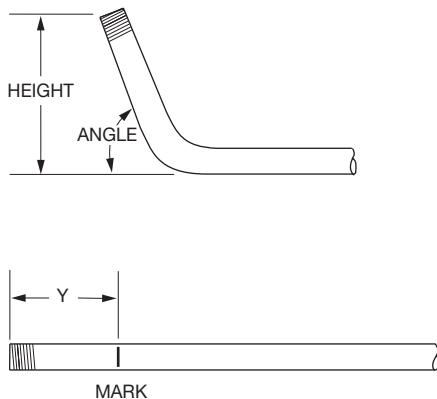
Figures are approximate

Additional Bending Instructions

The following drawings and bending tables are intended to provide the information necessary to accomplish the most common types of bends. The Bending Tables contain conduit marking information.

STUBS

1. Select the size and type of conduit. Determine the height of stub and the angle to be used.
2. Find the table that corresponds to the size and type of conduit selected in Step 1.
3. Under the column labeled ANGLE, find the appropriate angle.
4. Find the row labeled Y. In the row at the top of the page, find the height (H) of the stub. The number shown at the intersection of row Y and column H is the distance Y. Place the bending mark Y inches from the end of the conduit.
5. Bend the conduit.



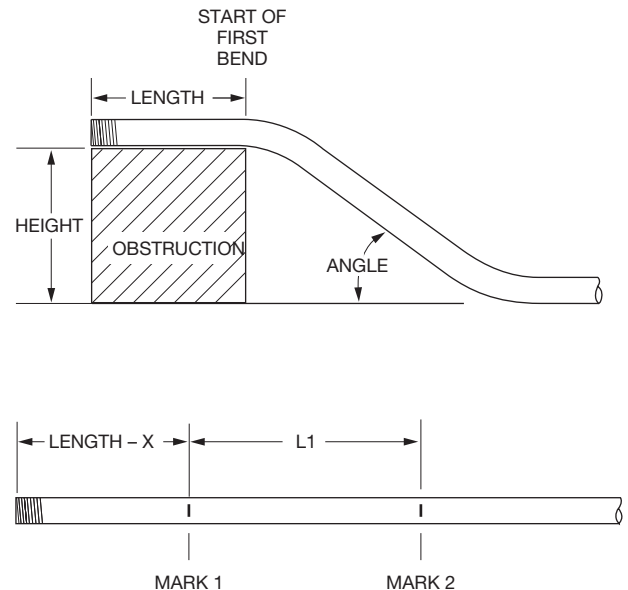
OFFSETS

An offset is used to route the conduit around an obstruction. To make an offset, two equal bends are required. The distance between the two bends is the center-to-center distance.

When working past an obstruction, it is necessary to determine the location of the first bend. The center-to-center distance is then used to determine the location of the second bend. When working toward an obstruction, it is necessary to determine the location of the second bend. The center-to-center distance is then used to determine the location of the first bend.

Working Past an Obstruction

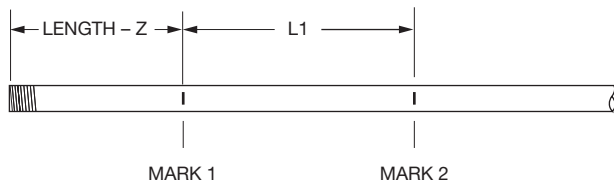
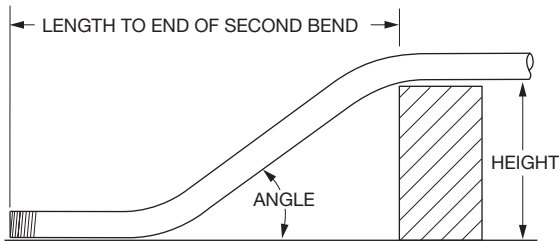
1. Select the size and type of conduit. Measure the height of the obstruction and the distance labeled LENGTH. Determine the angle to be used.
2. Find the table that corresponds to the size and type of conduit selected in Step 1.
3. To the right of the size and type of conduit, find the dimension labeled X. Subtract X from LENGTH. Place the first bending mark this distance from the end of the conduit.
4. Under the column labeled ANGLE, find the appropriate angle. Find the row labeled L1. In the row at the top of the page, find the height (H) of the offset. The number shown at the intersection of row L1 and column H is L1. Place the second bending mark L1 inches from the first bending mark.
5. Bend the conduit.



Additional Bending Instructions (cont'd)

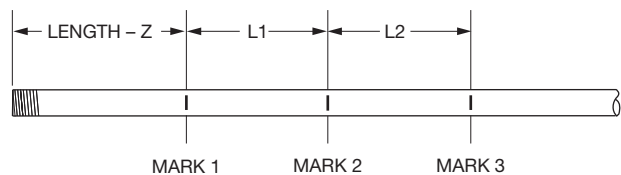
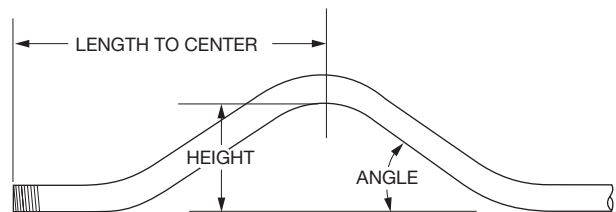
Working Toward an Obstruction

1. Select the size and type of conduit. Measure the height of the obstruction and the distance labeled **LENGTH TO END OF SECOND BEND**. Determine the angle to be used.
2. Find the table that corresponds to the size and type of conduit selected in Step 1.
3. Under the column labeled **ANGLE**, find the appropriate angle. Find the row labeled **Z**. In the row at the top of the page, find the height (**H**) of the offset. The number shown at the intersection of the **Z** row and the **H** column is **Z**. Subtract **Z** from **LENGTH TO THE END OF SECOND BEND**. Place the first bending mark this distance from the end of the conduit.
4. In the same column, find the row labeled **L1**. Place the second bending mark **L1** inches from the first bending mark.
5. Bend the conduit.



THREE-BEND SADDLE

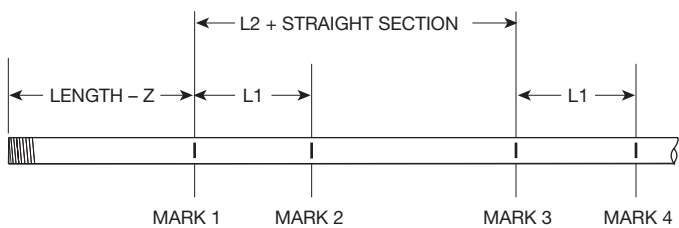
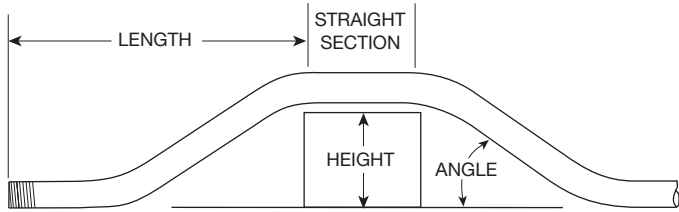
1. Select the size and type of conduit. Measure the height of the obstruction and the distance from the end of the conduit to the center (**LENGTH TO CENTER**) of the bend. Determine the angle to be used.
2. Find the table that corresponds to the size and type of conduit selected in Step 1.
3. Under the column labeled **ANGLE**, find the appropriate angle. Find the row labeled **Z**. In the row at the top of the page, find the height (**H**) of the offset. The number shown at the intersection of the **Z** row and the appropriate **H** column is **Z**. Subtract **Z** from the **LENGTH TO CENTER**. Place the first bending mark this distance from the end of the conduit.
4. In the same column, find the row labeled **L1**. Place the second bending mark **L1** inches from the first bending mark.
5. In the same column, find the row labeled **L2**. Place the third bending mark **L2** inches from the second bending mark.
6. Bend the conduit.



Additional Bending Instructions (cont'd)

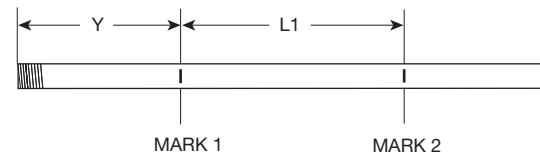
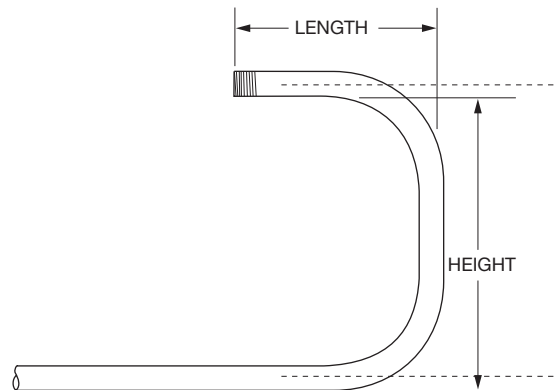
FOUR-BEND SADDLE

1. Select the size and type of conduit. Measure the height of the obstruction, the distance labeled **LENGTH**, and the distance labeled **STRAIGHT SECTION**. Determine the angle to be used.
2. Find the table that corresponds to the size and type of conduit selected in Step 1.
3. Under the column labeled **ANGLE**, find the appropriate angle. Find the row labeled **Z**. In the row at the top of the page, find the height (**H**) of the offset. The number shown at the intersection of the **Z** row and the appropriate **H** column is **Z**. Subtract **Z** from the **LENGTH**. Place the first bending mark this distance from the end of the conduit.
4. In the same column, find the row labeled **L1**. Place the second bending mark **L1** inches from the first bending mark.
5. In the same column, find the row labeled **L2**. Add **L2** to the **STRAIGHT SECTION**. Place the third bending mark this distance from the first bending mark.
6. Make the final bending mark **L1** inches from the third bending mark.
7. Bend the conduit.



U-BENDS

1. Select the size and type of conduit. Determine the **LENGTH** and the **HEIGHT**.
2. Find the table that corresponds to the size and type of conduit selected in Step 1.
3. Under the column labeled **ANGLE**, find **90°**.
4. Find the row labeled **Y**. In the row at the top of the page, find the height (**H**) that corresponds to the **LENGTH**. The number shown at the intersection of the **Y** row and the appropriate **H** column is the distance **Y**. Place the bending mark **Y** inches from the end of the conduit.
5. Find the row labeled **L1**, and go to the right to find the height (**H**) that corresponds to the **HEIGHT**.
6. The number shown at the intersection of the **L1** row and the appropriate **H** column is **L1**. Place the second bending mark **L1** inches from the first mark.
7. Bend the conduit.



Additional Bending Tables

	DIM	ANGLE	2"	4"	6"	8"	10"	12"	15"	18"	24"	36"
1/2" EMT												
	Y	15	3.74	11.47	19.20	26.92	34.65	42.38	53.97	65.56	88.74	135.11
	L1	15	7.72	15.45	23.18	30.90	38.63	46.36	57.95	69.54	92.72	139.09
	L2	15	8.94	16.66	24.39	32.12	39.84	47.57	59.16	70.75	93.94	140.30
	Z	15	10.70	18.16	25.62	33.09	40.55	48.02	59.21	70.41	92.80	137.59
MINIMUM H = 0.84												
	Y	22.5	1.37	6.60	11.82	17.05	22.28	27.50	35.34	43.18	58.86	90.22
	L1	22.5	5.20	10.43	15.65	20.88	26.11	31.33	39.17	47.01	62.69	94.05
	L2	22.5	7.02	12.25	17.48	22.70	27.93	33.16	41.00	48.83	64.51	95.87
	Z	22.5	8.68	13.51	18.34	23.17	28.00	32.83	40.07	47.31	61.80	90.77
MINIMUM H = 1.48												
	Y	30	0.04	4.04	8.04	12.04	16.04	20.04	26.04	32.04	44.04	68.04
	L1	30		7.94	11.94	15.94	19.94	23.94	29.94	35.94	47.94	71.94
	L2	30		10.37	14.37	18.37	22.37	26.37	32.37	38.37	50.37	74.37
	Z	30		11.42	14.89	18.35	21.82	25.28	30.48	35.67	46.07	66.85
MINIMUM H = 2.25												
	Y	45		1.23	4.05	6.88	9.71	12.54	16.78	21.02	29.51	46.48
	L1	45			8.29	11.11	13.94	16.77	21.01	25.26	33.74	50.71
	L2	45			11.93	14.76	17.59	20.42	24.66	28.90	37.39	54.36
	Z	45			11.85	13.85	15.85	17.85	20.85	23.85	29.85	41.85
MINIMUM H = 4.14												
	Y	60			1.83	4.14	6.45	8.76	12.22	15.69	22.62	36.47
	L1	60				8.74	11.05	13.36	16.82	20.29	27.21	41.07
	L2	60				13.60	15.91	18.22	21.68	25.14	32.07	45.93
	Z	60				11.99	13.14	14.30	16.03	17.76	21.22	28.15
MINIMUM H = 6.38												
	Y	90				1.00	3.00	5.00	8.00	11.00	17.00	29.00
	L1	90						10.01	13.01	16.01	22.01	34.01
	L2	90						17.30	20.30	23.30	29.30	41.30
	Z	90						11.29	11.29	11.29	11.29	11.29
MINIMUM H = 11.29												
3/4" EMT												
	Y	15	2.35	10.07	17.80	25.53	33.26	40.98	52.58	64.17	87.35	133.71
	L1	15	7.72	15.45	23.17	30.90	38.63	46.36	57.95	69.54	92.72	139.08
	L2	15	9.17	16.90	24.62	32.35	40.08	47.81	59.40	70.99	94.17	140.54
	Z	15	11.79	19.26	26.72	34.19	41.65	49.11	60.31	71.51	93.90	138.68
MINIMUM H = 1.12												
	Y	22.5	0.05	5.28	10.50	15.73	20.95	26.18	34.02	41.86	57.54	88.90
	L1	22.5	5.20	10.42	15.65	20.88	26.10	31.33	39.17	47.01	62.69	94.04
	L2	22.5	7.37	12.60	17.83	23.05	28.28	33.50	41.34	49.18	64.86	96.22
	Z	22.5	9.90	14.73	19.56	24.39	29.22	34.04	41.29	48.53	63.02	91.99
MINIMUM H = 1.94												
	Y	30		2.72	6.72	10.72	14.72	18.72	24.72	30.72	42.72	66.72
	L1	30		7.93	11.93	15.93	19.93	23.93	29.93	35.93	47.93	71.93
	L2	30		10.83	14.83	18.83	22.83	26.83	32.83	38.83	50.83	74.83
	Z	30		12.77	16.23	19.70	23.16	26.62	31.82	37.02	47.41	68.19
MINIMUM H = 2.92												
	Y	45			2.67	5.50	8.33	11.15	15.40	19.64	28.12	45.09
	L1	45			8.25	11.08	13.90	16.73	20.97	25.22	33.70	50.67
	L2	45			12.60	15.43	18.25	21.08	25.33	29.57	38.05	55.02
	Z	45			13.46	15.46	17.46	19.46	22.46	25.46	31.46	43.46
MINIMUM H = 5.27												
	Y	60			0.33	2.64	4.95	7.26	10.72	14.18	21.11	34.97
	L1	60					10.95	13.26	16.72	20.19	27.12	40.97
	L2	60					16.75	19.06	22.53	25.99	32.92	46.78
	Z	60					15.04	16.20	17.93	19.66	23.12	30.05
MINIMUM H = 8.03												
	Y	90					1.13	3.13	6.13	9.13	15.13	27.13
	L1	90							*12.62	15.62	21.62	33.62
	L2	90							21.32	24.32	30.32	42.32
	Z	90							13.95	13.95	13.95	13.95
MINIMUM H = 13.95*												

*MINIMUM H on U-bends = 16.25 on EMT single shoe

Additional Bending Tables (cont'd)

	DIM	ANGLE	2"	4"	6"	8"	10"	12"	15"	18"	24"	36"
1" EMT												
	Y	15	1.35	9.07	16.80	24.53	32.26	39.98	51.57	63.16	86.35	132.71
	L1	15	7.72	15.44	23.17	30.90	38.63	46.35	57.95	69.54	92.72	139.08
	L2	15	9.54	17.26	24.99	32.72	40.45	48.17	59.76	71.36	94.54	140.90
	Z	15	12.51	19.98	27.44	34.91	42.37	49.83	61.03	72.23	94.62	139.40
MINIMUM H = 1.31												
	Y	22.5		4.33	9.56	14.78	20.01	25.24	33.07	40.91	56.59	87.95
	L1	22.5		10.42	15.64	20.87	26.10	31.32	39.16	47.00	62.68	94.04
	L2	22.5		13.15	18.37	23.60	28.82	34.05	41.89	49.73	65.41	96.77
	Z	22.5		15.64	20.47	25.30	30.13	34.96	42.20	49.44	63.93	92.90
MINIMUM H = 2.29												
	Y	30		1.75	5.75	9.75	13.75	17.75	23.75	29.75	41.75	65.75
	L	30		7.91	11.91	15.91	19.91	23.91	29.91	35.91	47.91	71.91
	L2	30		11.55	15.55	19.55	23.55	27.55	33.55	39.55	51.55	75.55
	Z	30		13.87	17.34	20.80	24.27	27.73	32.92	28.12	48.51	69.30
MINIMUM H = 3.47												
	Y	45			1.56	4.39	7.22	10.05	14.29	18.53	27.02	43.99
	L1	45				11.01	13.84	16.67	20.91	25.16	33.64	50.61
	L2	45				16.47	19.30	22.13	26.37	30.62	39.10	56.07
	Z	45				16.98	18.98	20.98	23.98	26.98	32.98	44.98
MINIMUM H = 6.35												
	Y	60				1.33	3.64	5.95	9.42	12.88	19.81	33.67
	L1	60					10.80	13.11	16.57	20.04	26.97	40.82
	L2	60					18.08	20.39	23.85	27.32	34.24	48.10
	Z	60					17.02	18.17	19.91	21.64	25.10	32.03
MINIMUM H = 9.74												
	Y	90						1.25	4.25	7.25	13.25	25.25
	L1	90								15.02	21.02	33.02
	L2	90								25.93	31.93	43.93
	Z	90								17.12	17.12	17.12
MINIMUM H = 17.12												
1-1/4" EMT												
	Y	15	0.26	7.99	15.72	23.45	31.17	38.90	50.49	62.08	85.27	131.63
	L1	15	7.71	15.44	23.17	30.90	38.62	46.35	57.94	69.53	92.72	139.08
	L2	15	10.07	17.80	25.52	33.25	40.98	48.71	60.30	71.89	95.07	141.44
	Z	15	13.20	20.66	28.12	35.59	43.05	50.52	61.71	72.91	95.30	140.09
MINIMUM H = 1.48												
	Y	22.5		3.33	8.55	13.78	19.01	24.23	32.07	39.91	55.59	86.95
	L1	22.5		10.41	15.63	20.86	26.09	31.31	39.15	46.99	62.67	94.03
	L2	22.5		13.94	19.17	24.40	29.62	34.85	42.69	50.53	66.21	97.56
	Z	22.5		16.60	21.43	26.26	31.09	35.91	43.16	50.40	64.89	93.86
MINIMUM H = 2.66												
	Y	30		0.72	4.72	8.72	12.72	16.72	22.72	28.72	40.72	64.72
	L1	30			11.89	15.89	19.89	23.89	29.89	35.89	47.89	71.89
	L2	30			16.61	20.61	24.61	28.61	34.61	40.61	52.61	76.61
	Z	30			18.58	22.04	25.51	28.97	34.17	39.37	49.76	70.54
MINIMUM H = 4.09												
	Y	45			0.33	3.15	5.98	8.81	13.05	17.30	25.78	42.75
	L1	45				10.93	13.75	16.58	20.83	25.07	33.55	50.52
	L2	45				18.00	20.83	23.66	27.90	32.14	40.63	57.60
	Z	45				18.82	20.82	22.82	25.82	28.82	34.82	46.82
MINIMUM H = 7.65												
	Y	60					2.11	4.42	7.89	11.35	18.28	32.14
	L1	60						12.89	16.35	19.82	26.74	40.60
	L2	60						22.32	25.79	29.25	36.18	50.04
	Z	60						20.69	22.42	24.16	27.62	34.55
MINIMUM H = 11.92												
	Y	90							1.88	4.88	10.88	22.88
	L1	90									20.13	32.13
	L2	90									34.29	46.29
	Z	90									21.38	21.38
MINIMUM H = 21.38												

Additional Bending Tables (cont'd)

	DIM	ANGLE	2"	4"	6"	8"	10"	12"	15"	18"	24"	36"
1-1/2" EMT												
	Y	15		6.26	13.99	21.72	29.44	37.17	48.76	60.35	83.53	129.90
	L1	15	7.71	15.44	23.17	30.90	38.62	46.35	57.94	69.53	92.72	139.08
	L2	15	9.95	17.68	25.40	33.13	40.86	48.58	60.18	71.77	94.95	141.31
	Z	15	14.42	21.88	29.35	36.81	44.28	51.74	62.94	74.13	96.53	141.31
MINIMUM H = 1.81												
	Y	22.5		1.77	7.00	12.22	17.45	22.68	30.52	38.36	54.03	85.39
	L1	22.5		10.41	15.64	20.86	26.09	31.31	39.15	46.99	62.67	94.03
	L2	22.5		13.76	18.98	24.21	29.44	34.66	42.50	50.34	66.02	97.38
	Z	22.5		17.76	22.59	27.42	32.25	37.07	44.32	51.56	66.04	95.02
MINIMUM H = 3.11												
	Y	30			3.26	7.26	11.26	15.26	21.26	27.26	39.26	63.26
	L1	30			11.90	15.90	19.90	23.90	29.90	35.90	47.90	71.90
	L2	30			16.36	20.36	24.36	28.36	34.36	40.36	52.36	76.36
	Z	30			19.67	23.14	26.60	30.07	35.26	40.46	50.85	71.64
MINIMUM H = 4.64												
	L1	45				1.84	4.67	7.50	11.74	15.98	24.47	41.44
	L2	45					13.78	16.60	20.85	25.09	33.57	50.54
	Z	45					20.47	23.30	27.55	31.79	40.27	57.24
MINIMUM H = 8.33												
	L1	60					0.91	3.22	6.68	10.15	17.07	30.93
	L2	60							16.40	19.87	26.80	40.65
	Z	60							25.34	28.80	35.73	49.58
MINIMUM H = 12.61												
	L1	90							0.89	3.89	9.89	21.89
	L2	90									20.34	32.34
	Z	90									33.74	45.74
MINIMUM H = 21.77												
2" EMT												
	Y	15		5.15	12.87	20.60	28.33	36.05	47.65	59.24	82.42	128.78
	L1	15	7.71	15.44	23.17	30.90	38.62	46.35	57.94	69.53	92.71	139.08
	L2	15	10.19	17.92	25.64	33.37	41.10	48.83	60.42	72.01	95.19	141.56
	Z	15	14.77	22.24	29.70	37.17	44.63	52.10	63.29	74.49	96.88	141.66
MINIMUM H = 1.89												
	Y	22.5		0.88	6.11	11.33	16.56	21.79	29.62	37.46	53.14	84.50
	L1	22.5		10.40	15.63	20.86	26.08	31.31	39.15	46.99	62.67	94.02
	L2	22.5		14.12	19.35	24.57	29.80	35.02	42.86	50.70	66.38	97.74
	Z	22.5		18.24	23.07	27.90	32.73	37.55	44.80	52.04	66.52	95.50
MINIMUM H = 3.28												
	Y	30			2.45	6.45	10.45	14.45	20.45	26.45	38.45	62.45
	L1	30			11.88	15.88	19.88	23.88	29.88	35.88	47.88	71.88
	L2	30			16.84	20.84	24.84	28.84	34.84	40.84	52.84	76.84
	Z	30			20.28	23.75	27.21	30.67	35.87	41.07	51.46	72.24
MINIMUM H = 4.94												
	L1	45				1.02	3.85	6.68	10.92	15.16	23.65	40.62
	L2	45					13.74	16.56	20.81	25.05	33.53	50.50
	Z	45					21.16	23.99	28.24	32.48	40.96	57.93
	Z	45					22.66	24.66	27.66	30.66	36.66	48.66
MINIMUM H = 8.95												
	L1	60					0.00	2.31	5.77	9.23	16.16	30.02
	L2	60							16.30	19.77	26.70	40.55
	Z	60							26.21	29.67	36.60	50.46
	Z	60							24.40	26.14	29.60	36.53
MINIMUM H = 13.63												
	L1	90								2.62	8.62	20.62
	L2	90									19.94	31.94
	Z	90									34.80	46.80
	Z	90									23.74	23.74
MINIMUM H = 23.74												

Additional Bending Tables (cont'd)

	DIM	ANGLE	2"	4"	6"	8"	10"	12"	15"	18"	24"	36"
1/2" IMC, Rigid, and 40 Mil PVC-Coated Rigid												
	Y	15	3.03	10.76	18.48	26.21	33.94	41.67	53.26	64.85	88.03	134.39
	L1	15	7.72	15.45	23.18	30.90	38.63	46.36	57.95	69.54	92.72	139.09
	L2	15	8.87	16.59	24.32	32.05	39.78	47.50	59.10	70.69	93.87	140.23
	Z	15	11.12	18.58	26.05	33.51	40.97	48.44	59.63	70.83	93.22	138.01
MINIMUM H = 0.95												
	Y	22.5	.77	5.98	11.21	16.44	21.66	26.89	34.73	42.57	58.25	89.60
	L1	22.5	5.20	10.43	15.66	20.88	26.11	31.34	39.17	47.01	62.69	94.05
	L2	22.5	6.92	12.15	17.38	22.60	27.83	33.06	40.89	48.73	64.41	95.77
	Z	22.5	9.07	13.90	18.73	23.56	28.38	33.21	40.46	47.70	62.18	91.15
MINIMUM H = 1.62												
	Y	30		3.49	7.49	11.49	15.49	19.49	25.49	31.49	43.49	67.49
	L1	30		7.95	11.95	15.95	19.95	23.95	29.95	35.95	47.95	71.95
	L2	30		10.24	14.24	18.24	22.24	26.24	32.24	38.24	50.24	74.24
	Z	30		11.78	15.24	18.70	22.17	25.63	30.83	36.02	46.42	67.20
MINIMUM H = 2.42												
	Y	45			3.59	6.41	9.23	12.06	16.30	20.55	29.03	46.00
	L1	45			8.30	11.13	13.95	16.78	21.02	25.27	33.75	50.72
	L2	45			11.74	14.57	17.39	20.22	24.46	28.71	37.19	54.16
	Z	45			12.13	14.13	16.13	18.13	21.13	24.13	30.13	42.13
MINIMUM H = 4.33												
	Y	60			1.42	3.73	6.04	8.34	11.81	15.27	22.20	36.06
	L1	60				8.77	11.08	13.39	16.85	20.31	27.24	41.10
	L2	60				13.35	15.66	17.97	21.44	24.90	31.83	45.69
	Z	60				12.18	13.33	14.49	16.22	17.95	21.41	28.34
MINIMUM H = 6.55												
	Y	90				.71	2.71	4.71	7.71	10.71	16.70	28.70
	L1	90						10.12	13.12	16.12	22.12	34.12
	L2	90						17.00	20.00	23.00	29.00	41.00
	Z	90						11.26	11.26	11.26	11.26	11.26
MINIMUM H = 11.26												
3/4" IMC, Rigid, and 40 Mil PVC-Coated Rigid												
	Y	15	1.86	9.58	17.31	25.04	32.77	40.49	52.08	63.68	86.86	133.22
	L1	15	7.72	15.45	23.17	30.90	38.63	46.36	57.95	69.54	92.72	139.08
	L2	15	9.19	16.91	24.64	32.37	40.09	47.82	59.41	71.00	94.19	140.55
	Z	15	12.06	19.53	26.89	34.46	41.92	49.38	60.58	71.78	94.17	138.95
MINIMUM H = 1.19												
	Y	22.5		4.85	10.08	15.31	20.53	25.76	33.60	41.44	57.12	88.47
	L1	22.5		10.42	15.65	20.88	26.10	31.33	39.17	47.01	62.69	94.04
	L2	22.5		12.62	17.85	23.08	28.30	33.53	41.37	49.21	64.89	96.24
	Z	22.5		15.01	19.84	24.67	29.49	34.32	41.57	48.81	63.29	92.26
MINIMUM H = 2.05												
	Y	30		2.33	6.33	10.33	14.33	18.33	24.33	30.33	42.33	66.33
	L1	30		7.93	11.93	15.93	19.93	23.93	29.93	35.93	47.93	71.93
	L2	30		10.86	14.86	18.86	22.86	26.86	32.86	38.86	50.86	74.86
	Z	30		13.05	16.52	19.98	23.45	26.91	32.11	37.30	47.70	68.48
MINIMUM H = 3.06												
	Y	45			2.31	5.13	7.96	10.79	15.03	19.28	27.76	44.73
	L1	45			8.24	11.07	13.90	16.73	20.97	25.21	33.70	50.67
	L2	45			12.64	15.47	18.30	21.13	25.37	29.61	38.10	55.07
	Z	45			13.76	15.76	17.76	19.76	22.76	25.76	31.76	43.76
MINIMUM H = 5.49												
	Y	60				2.28	4.59	6.90	10.36	13.83	20.75	34.61
	L1	60					10.94	13.25	16.72	20.18	27.11	40.97
	L2	60					16.81	19.12	22.58	26.05	32.98	46.83
	Z	60					15.36	16.52	18.25	19.88	23.45	30.38
MINIMUM H = 8.31												
	Y	90					.76	2.76	5.76	8.76	14.76	26.76
	L1	90							*12.60	15.60	21.60	33.60
	L2	90							21.39	24.39	30.39	42.39
	Z	90							14.33	14.33	14.33	14.33
MINIMUM H = 14.33*												

*MINIMUM H on U-bends = 16.62 on single shoes

Additional Bending Tables (cont'd)

	DIM	ANGLE	2"	4"	6"	8"	10"	12"	15"	18"	24"	36"
1" IMC, Rigid, and 40 Mil PVC-Coated Rigid												
	Y	15	1.08	8.81	16.52	24.25	31.97	39.70	51.29	62.88	86.07	132.43
	L1	15	7.72	15.44	23.17	30.90	38.63	46.35	57.94	69.54	92.72	139.08
	L2	15	9.59	17.32	25.04	32.77	40.50	48.23	59.82	71.41	94.59	140.95
	Z	15	12.53	20.00	27.46	34.93	42.39	49.86	61.05	72.25	94.64	139.43
MINIMUM H = 1.31												
	Y	22.5		4.13	9.35	14.58	19.81	25.03	32.87	40.71	56.39	87.75
	L1	22.5		10.42	15.64	20.87	26.09	31.32	39.16	47.00	62.68	94.04
	L2	22.5		13.22	18.45	23.68	28.90	34.13	41.97	49.81	65.49	96.84
	Z	22.5		15.69	20.52	25.35	30.18	35.01	42.25	49.49	63.98	92.95
MINIMUM H = 2.31												
	Y	30		1.58	5.58	9.58	13.58	17.58	23.58	29.58	41.58	65.58
	L1	30		7.91	11.91	15.91	19.91	23.91	29.91	35.91	47.91	71.91
	L2	30		11.66	15.66	19.66	23.66	27.66	33.66	39.66	51.66	75.66
	Z	30		13.95	17.41	20.88	24.34	27.81	33.00	38.20	48.59	69.38
MINIMUM H = 3.51												
	Y	45			1.42	4.24	7.06	9.89	14.14	18.38	26.86	43.83
	L1	45				11.01	13.83	16.66	20.91	25.15	33.63	50.60
	L2	45				16.62	19.45	22.28	26.52	30.76	39.25	56.22
	Z	45				17.11	19.11	21.11	24.11	27.11	33.11	45.11
MINIMUM H = 6.44												
	Y	60				1.17	3.48	5.79	9.25	12.71	19.64	33.49
	L1	60					10.78	13.09	16.55	20.02	26.94	40.80
	L2	60					18.27	20.58	24.04	27.50	34.43	48.29
	Z	60					17.22	18.37	20.11	21.84	25.30	32.23
MINIMUM H = 9.91												
	Y	90						1.01	4.01	7.01	13.01	25.01
	L1	90								14.93	20.93	32.93
	L2	90								26.16	32.16	44.16
	Z	90								17.49	17.49	17.49
MINIMUM H = 17.49												
1-1/4" IMC, Rigid, and 40 Mil PVC-Coated Rigid												
	Y	15		7.15	14.87	22.60	30.33	38.06	49.65	61.24	84.42	130.78
	L1	15	7.71	15.44	23.17	30.90	38.62	46.35	57.94	69.53	92.72	139.08
	L2	15	10.07	17.80	25.53	33.25	40.98	48.71	60.30	71.89	95.07	141.44
	Z	15	13.77	21.24	28.70	36.17	43.63	51.09	62.29	73.49	95.88	140.66
MINIMUM H = 1.63												
	Y	22.5		2.57	7.80	13.02	18.25	23.47	31.31	39.15	54.83	86.19
	L1	22.5		10.41	15.63	20.86	26.09	31.31	39.15	46.99	62.67	94.03
	L2	22.5		13.94	19.17	24.40	29.62	34.85	42.69	50.53	66.21	97.56
	Z	22.5		17.18	22.01	26.84	31.66	36.49	43.73	50.98	65.46	94.43
MINIMUM H = 2.88												
	Y	30			4.00	8.00	12.00	16.00	22.00	28.00	40.00	64.00
	L1	30			11.89	15.89	19.89	23.89	29.89	35.89	47.89	71.89
	L2	30			16.61	20.61	24.61	28.61	34.61	40.61	52.61	76.61
	Z	30			19.16	22.62	26.09	29.55	34.75	39.94	50.33	71.12
MINIMUM H = 4.38												
	Y	45				2.48	5.31	8.14	12.38	16.62	25.11	42.08
	L1	45					13.75	16.58	20.83	25.07	33.55	50.52
	L2	45					20.83	23.66	27.90	32.14	40.63	57.60
	Z	45					21.40	23.40	26.40	29.40	35.40	47.40
MINIMUM H = 8.06												
	Y	60					1.46	3.77	7.23	10.69	17.62	31.48
	L1	60							16.35	19.82	26.74	40.60
	L2	60							25.79	29.25	36.18	50.04
	Z	60							23.00	24.73	28.20	35.13
MINIMUM H = 11.32												
	Y	90							1.23	4.23	10.23	22.23
	L1	90									20.13	32.13
	L2	90									34.29	46.29
	Z	90									21.96	21.96
MINIMUM H = 21.96												

Additional Bending Tables (cont'd)

	DIM	ANGLE	2"	4"	6"	8"	10"	12"	15"	18"	24"	36"
1-1/2" Rigid and 40 Mil PVC-Coated Rigid												
	Y	15		5.87	13.59	21.32	29.05	36.77	48.37	59.96	83.14	129.50
	L1	15	7.71	15.44	23.17	20.90	38.62	46.35	57.94	69.53	92.72	139.08
	L2	15	9.94	17.67	25.39	33.12	40.85	48.58	60.17	71.76	94.94	141.31
	Z	15	14.50	21.97	29.43	36.89	44.36	51.82	63.02	74.21	96.61	141.39
MINIMUM H = 1.82												
	Y	22.5		1.48	6.71	11.93	17.16	22.38	30.22	38.06	53.74	85.10
	L1	22.5		10.41	15.64	20.86	26.09	31.31	39.15	46.99	62.67	94.03
	L2	22.5		13.75	18.97	24.20	29.43	34.65	42.49	50.33	66.01	97.37
	Z	22.5		17.84	22.67	27.50	32.32	37.15	44.39	51.64	66.12	95.09
MINIMUM H = 3.13												
	Y	30			3.02	7.02	11.02	15.02	21.02	27.02	39.02	63.02
	L1	30			11.90	15.90	19.90	23.90	29.90	35.90	47.90	71.90
	L2	30			16.35	20.35	24.35	28.35	34.35	40.35	52.35	76.35
	Z	30			19.75	23.21	26.68	30.14	35.34	40.53	50.92	71.71
MINIMUM H = 4.68												
	Y	45				1.65	4.48	7.31	11.55	15.79	24.28	41.25
	L1	45					13.78	16.60	20.85	25.09	33.58	50.55
	L2	45					20.45	23.28	27.52	31.77	40.25	57.22
	Z	45					21.84	23.84	26.84	29.84	35.84	47.84
MINIMUM H = 8.37												
	Y	60					0.74	3.05	6.52	9.98	16.91	30.76
	L1	60							16.41	19.87	26.80	40.66
	L2	60							25.31	28.77	35.70	49.56
	Z	60							23.28	25.01	28.47	35.40
MINIMUM H = 12.66												
	Y	90							0.75	3.75	9.75	21.75
	L1	90									20.35	32.35
	L2	90									33.70	45.70
	Z	90									21.80	21.80
MINIMUM H = 21.80												
2" Rigid and 40 Mil PVC-Coated Rigid												
	Y	15		4.42	12.15	19.87	27.60	35.33	46.92	58.51	81.69	128.06
	L1	15	7.71	15.44	23.17	30.89	38.62	46.35	57.94	69.53	92.71	139.08
	L2	15	10.27	18.00	25.73	33.46	41.18	48.91	60.50	72.09	95.27	141.64
	Z	15	15.20	22.66	30.13	37.59	45.06	52.52	63.72	74.91	97.30	142.09
MINIMUM H = 2.00												
	Y	22.5		0.24	5.47	10.70	15.92	21.15	28.99	36.83	52.51	83.86
	L1	22.5		10.40	15.63	20.85	26.08	31.31	39.15	46.99	62.66	94.02
	L2	22.5		14.24	19.47	24.70	29.92	35.15	42.99	50.83	66.51	97.86
	Z	22.5		18.71	23.54	28.36	33.19	38.02	45.26	52.51	66.99	95.96
MINIMUM H = 3.47												
	Y	30			1.84	5.84	9.84	13.84	19.84	25.84	37.84	61.84
	L1	30			11.88	15.88	19.88	23.88	29.88	35.88	47.88	71.88
	L2	30			17.00	21.00	25.00	29.00	35.00	41.00	53.00	77.00
	Z	30			20.79	24.26	27.72	31.19	36.38	41.58	51.97	71.75
MINIMUM H = 5.20												
	Y	45				0.42	3.25	6.08	10.32	14.57	23.05	40.02
	L1	45					13.72	16.55	20.79	25.04	33.52	50.49
	L2	45					21.40	24.23	28.47	32.72	41.20	58.17
	Z	45					23.26	25.26	28.26	31.26	37.26	49.26
MINIMUM H = 9.38												
	Y	60						1.68	5.14	8.61	15.54	29.39
	L1	60							16.27	19.73	26.66	40.52
	L2	60							26.51	29.97	36.90	50.76
	Z	60							25.11	26.85	30.31	37.24
MINIMUM H = 14.25												
	Y	90								1.87	7.87	19.87
	L1	90										31.80
	L2	90										47.16
	Z	90										24.72
MINIMUM H = 24.72												

Additional Bending Tables (cont'd)

	DIM	ANGLE	2"	4"	6"	8"	10"	12"	15"	18"	24"	36"
1-1/2" IMC												
	Y	15		6.41	14.14	21.87	29.60	37.32	48.91	60.51	83.69	130.05
	L1	15	7.71	15.44	23.17	30.90	38.62	46.35	57.94	69.53	92.72	139.00
	L2	15	9.95	17.68	25.40	33.13	40.86	48.58	60.18	71.77	94.94	141.31
	Z	15	13.99	21.45	28.92	36.38	43.85	51.31	62.51	73.70	96.10	140.88
MINIMUM H = 1.69												
	Y	22.5		2.02	7.24	12.47	17.69	22.92	30.76	38.60	54.28	85.64
	L1	22.5		10.41	15.64	20.86	26.09	31.31	39.15	46.99	62.67	94.03
	L2	22.5		13.76	18.98	24.21	29.44	34.66	42.50	50.34	66.02	97.38
	Z	22.5		17.33	22.16	26.99	31.82	36.64	43.89	51.13	65.61	94.59
MINIMUM H = 2.94												
	Y	30			3.55	7.55	11.55	15.55	21.55	27.55	39.55	63.55
	L1	30			11.90	15.90	19.90	23.90	29.90	35.90	47.90	71.90
	L2	30			16.36	20.36	24.36	28.36	34.36	40.36	52.36	76.36
	Z	30			19.24	22.71	26.17	29.64	34.83	40.03	50.42	71.21
MINIMUM H = 4.43												
	Y	45				2.17	5.00	7.83	12.07	16.31	24.80	41.77
	L1	45					13.78	16.60	20.85	25.09	33.57	50.54
	L2	45					20.47	23.30	27.55	31.79	40.27	57.24
	Z	45					21.35	23.35	26.35	29.35	35.35	47.35
MINIMUM H = 8.02												
	Y	60					1.26	3.56	7.03	10.49	17.42	31.28
	L1	60							16.40	19.87	26.80	40.65
	L2	60							25.34	28.80	35.73	49.58
	Z	60							22.79	24.52	27.99	34.91
MINIMUM H = 12.24												
	Y	90							1.25	4.25	10.25	22.25
	L1	90									20.34	32.34
	L2	90									33.74	45.74
	Z	90									21.34	21.34
MINIMUM H = 21.34												
2" IMC												
	Y	15		5.04	12.77	20.50	28.22	35.95	47.54	59.13	82.31	128.68
	L1	15	7.71	15.44	23.17	30.90	38.62	46.35	57.94	69.53	92.71	139.00
	L2	15	10.19	17.92	25.64	33.37	41.10	48.83	60.42	72.01	95.19	141.56
	Z	15	14.56	22.03	29.49	36.96	44.42	51.89	63.00	74.28	96.67	141.45
MINIMUM H = 1.84												
	Y	22.5		0.88	6.10	11.33	16.56	21.78	29.62	37.46	53.14	84.50
	L1	22.5		10.40	15.63	20.86	26.08	31.31	39.15	46.99	62.67	94.02
	L2	22.5		14.12	19.35	24.57	29.80	35.02	42.86	50.70	66.38	97.74
	Z	22.5		18.03	22.86	27.69	32.52	37.34	44.59	51.83	66.31	95.29
MINIMUM H = 3.20												
	Y	30			2.50	6.50	10.50	14.50	20.50	26.50	38.50	62.50
	L1	30			11.88	15.88	19.88	23.88	29.88	35.88	47.88	71.88
	L2	30			16.84	20.84	24.84	28.84	34.84	40.84	52.84	76.84
	Z	30			20.07	23.54	27.00	30.46	35.66	40.86	51.25	72.03
MINIMUM H = 4.84												
	Y	45				1.12	3.94	6.77	11.02	15.26	23.74	40.71
	L1	45					13.74	16.56	20.81	25.05	33.53	50.50
	L2	45					21.16	23.99	28.24	32.48	40.96	57.93
	Z	45					22.45	24.45	27.45	30.45	36.45	48.45
MINIMUM H = 8.80												
	Y	60					0.11	2.42	5.89	9.35	16.28	20.13
	L1	60							16.30	19.77	26.70	20.55
	L2	60							26.21	29.67	36.60	50.46
	Z	60							24.19	25.93	29.39	26.32
MINIMUM H = 13.45												
	Y	90								2.75	8.75	20.75
	L1	90									19.94	31.94
	L2	90									34.80	46.80
	Z	90									23.53	23.53
MINIMUM H = 23.53												

Handle Removal and Replacement

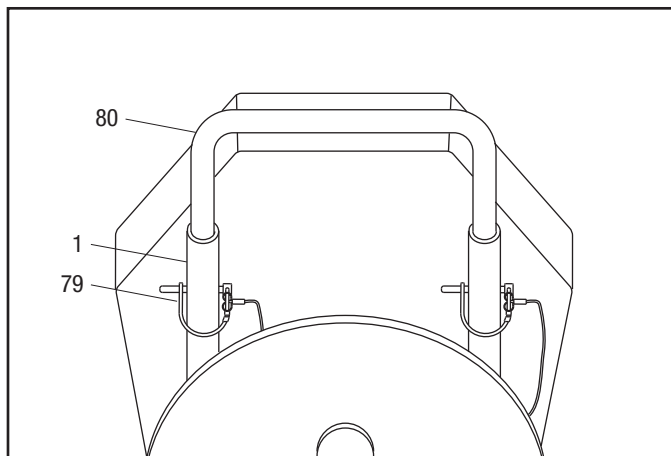
The handle of the 555C is designed to be removable. This feature is convenient when performing complex bending, and makes it easy to replace a damaged handle.

Removal

1. Place the bender in the upright position.
2. Release the spring clip on the safety snap pin (79).
3. Remove the pin from the handle (80) and the sleeve of the frame (1).
4. Repeat Steps 1 through 3 for the other end of the handle.
5. Lift the handle to remove.

Replacement

1. Insert the handle (80) into the sleeves of the frame (1).
2. Align the holes in the handle with the holes in the sleeves.
3. Insert the safety snap pin (79). Ensure that the pin goes through the handle and the sleeve on the frame (1).
4. Engage the safety spring clip over the end of the pin. Ensure that the loop on the clip is completely around the pin.
5. Repeat Steps 2 through 4 for the other end of the handle.



Removing or Replacing Handle

Transportation

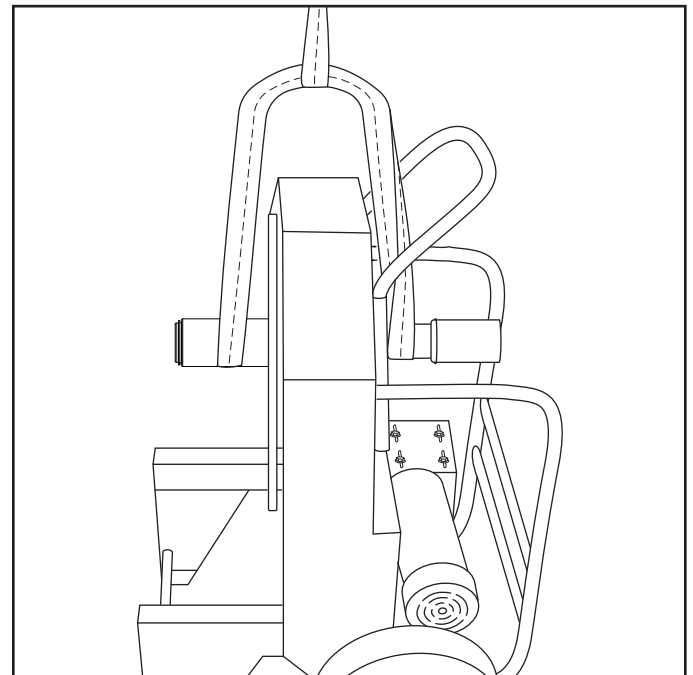
⚠ WARNING

Make sure that the handle is properly installed and secured with the safety spring clips and snap pins before lifting or moving the bender. An improperly installed handle could allow the bender to fall, injuring nearby personnel.

Failure to observe this warning could result in severe injury or death.

Remove the shoe unit from the main shaft and storage spindle and remove all roller support units from the bender. The only proper way to lift this bender is by looping a nylon or polyester sling around the storage spindle and main shaft to create a sling as shown. The sling should extend between the handle and main frame of the bender so that the handle acts as a guide for the sling, as shown below.

Securely attach the lifting device to the sling and make sure all components used to lift this bender are properly rated for 159 kg (350 lb) weight. Use a ramp to load and unload from a truck or other vehicle that is not equipped with a lift gate.




Transporting Bender

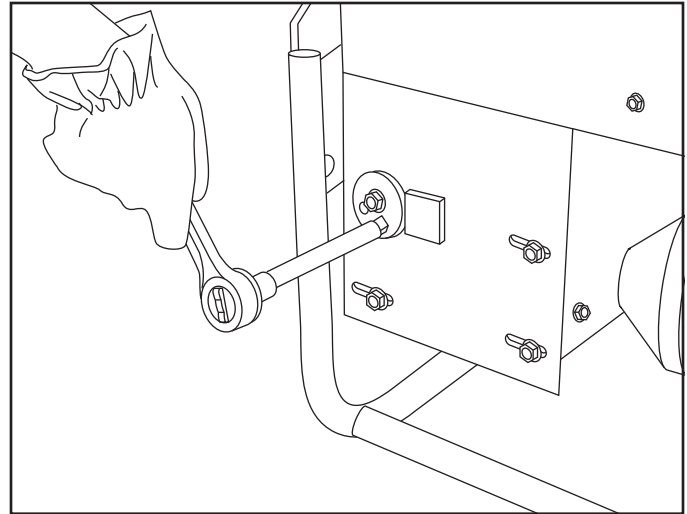
Maintenance

There is no need for periodic flushing and replacing of lube in the bender gear box since it is sealed and locked tight. However, if the box is opened for repair and the lube is lost or contaminated by dirt, then the box and parts should be flushed out and filled with 26 fluid ounces of Mobil® 634 synthetic oil.

Flushing should be accomplished with kerosene, which is a petroleum hydrocarbon that does not affect seals.

Note: Aromatic hydrocarbons such as benzene, chlorinated solvents such as carbon-tetrachloride, and ketones such as acetone should never be used for flushing as they are solvents for rubber. They are also harmful to the environment.

	<h3>⚠ WARNING</h3>
	<p>Disconnect this tool when not in use, before servicing or adjusting, and when changing shoes or conduit rollers and supports.</p> <p>Failure to observe this warning could result in severe injury or death.</p>

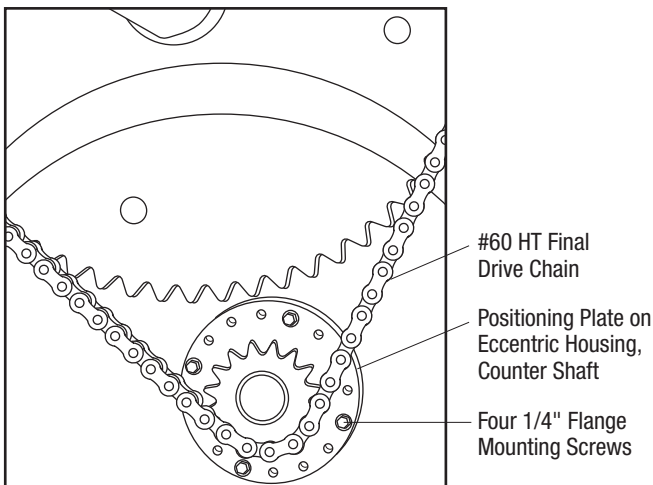
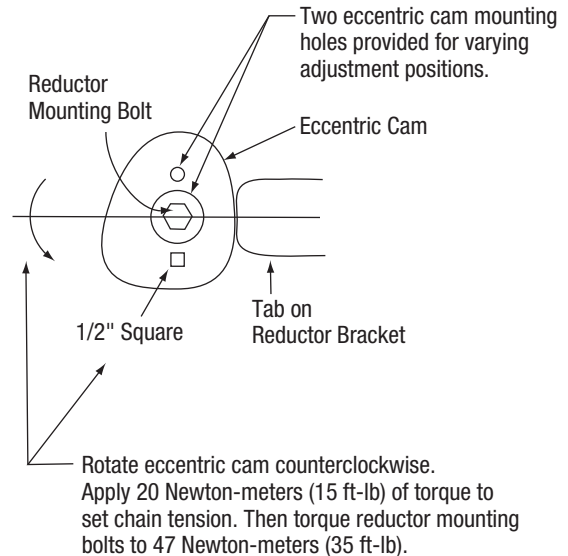


With the eight reductor mounting bolts (22, 24) loose, rotate the eccentric cam with a 1/2" square drive to tension the chain. Torque the eight reductor mounting bolts to 47 Newton-meters (35 ft-lb).

Chain Adjustment

Both chains have to be adjusted if the final drive #60 chain is to be reset. Refer to the Exploded View and Parts List.

1. Remove the front cover (38) and upper rear guard (37).
2. Loosen the eight mounting bolts for the reductor (19). Remove the eccentric cam and move the reductor to create chain slack.
3. Remove the four retaining screws for eccentric adjustment. Rotate to remove slack from the chain and align with one of the two sets of holes in the frame. Remount the eccentric with the four bolts.
4. Slide the reductor in slotted mounting holes to the retension chain. Set tension with the eccentric cam.




Troubleshooting

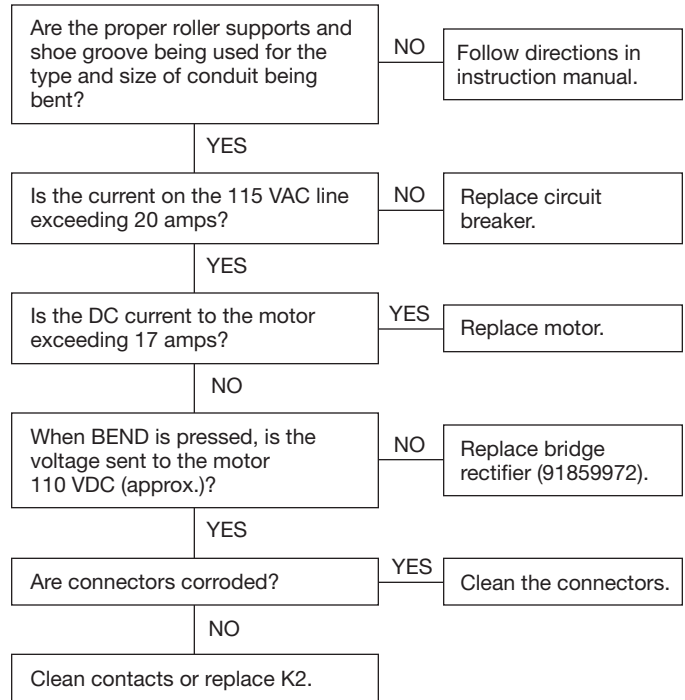
Problem	Probable Cause	Possible Remedy
Bender will not operate.	No voltage.	Check supply voltage circuit operation.
		Check that switch is on.
Bends are overbent a few degrees.	Too much squeeze on 1-1/2" or 2" EMT or IMC conduit.	Back squeeze off per adjustment instructions.
	Unusual conduit characteristics.	Bend smaller angle to compensate.
Bends are underbent a few degrees.	Too little squeeze on 1-1/2" or 2" EMT or IMC conduit.	Increase squeeze per adjustment instructions.
	Unusual conduit characteristics.	Bend larger angle to compensate.

Troubleshooting (cont'd)

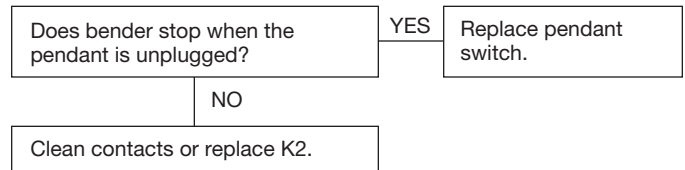
The following flow charts show the suggested troubleshooting procedures for some bender problems. They by no means encompass all possible problems or solutions.

	<p>⚠ WARNING</p>
	<p>Electric shock hazard:</p> <ul style="list-style-type: none"> • Contact with live circuits can result in severe injury or death. • Some troubleshooting steps require power to the bender. This type of troubleshooting step should only be performed at authorized Greenlee service centers by personnel who are familiar with safe troubleshooting procedures. <p>Failure to observe these warnings could result in severe injury or death.</p>

Trips 555C switch/circuit breaker

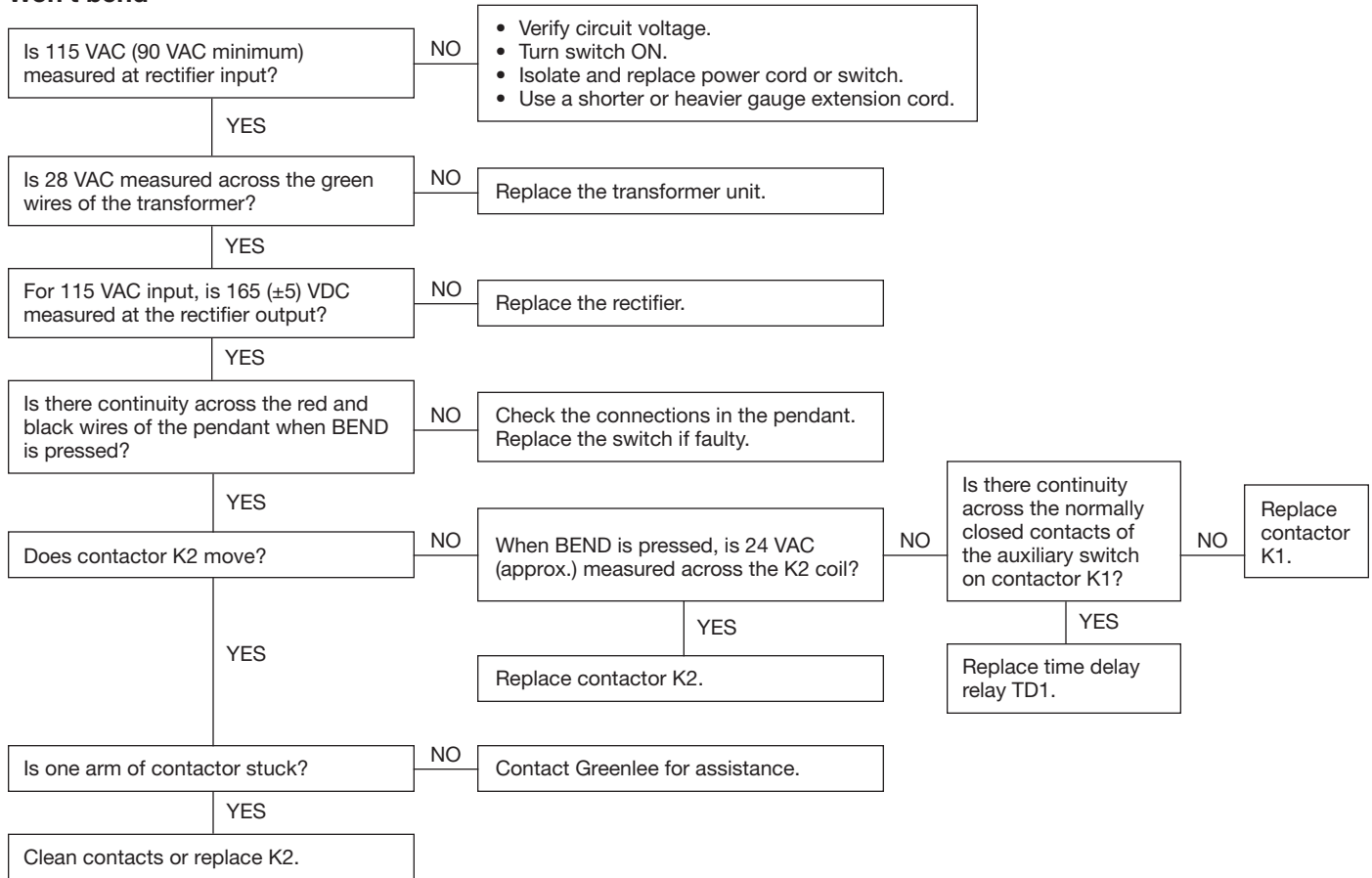


Won't stop



Troubleshooting (cont'd)

Won't bend



Bender runs only in the BEND direction

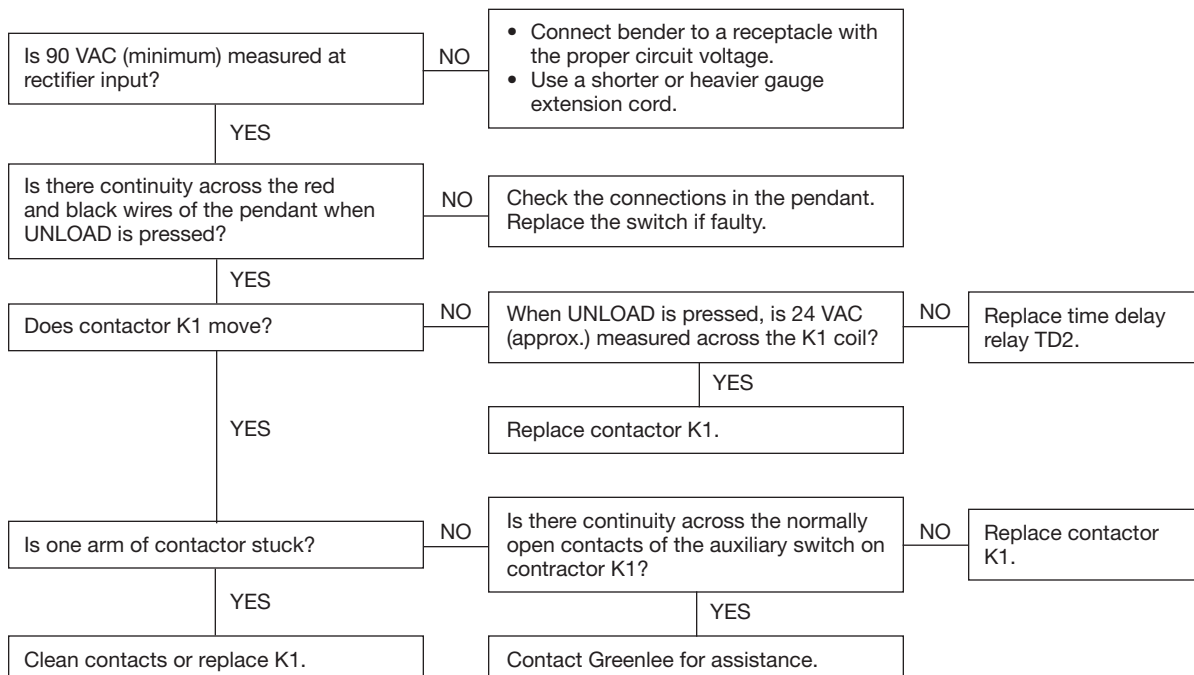
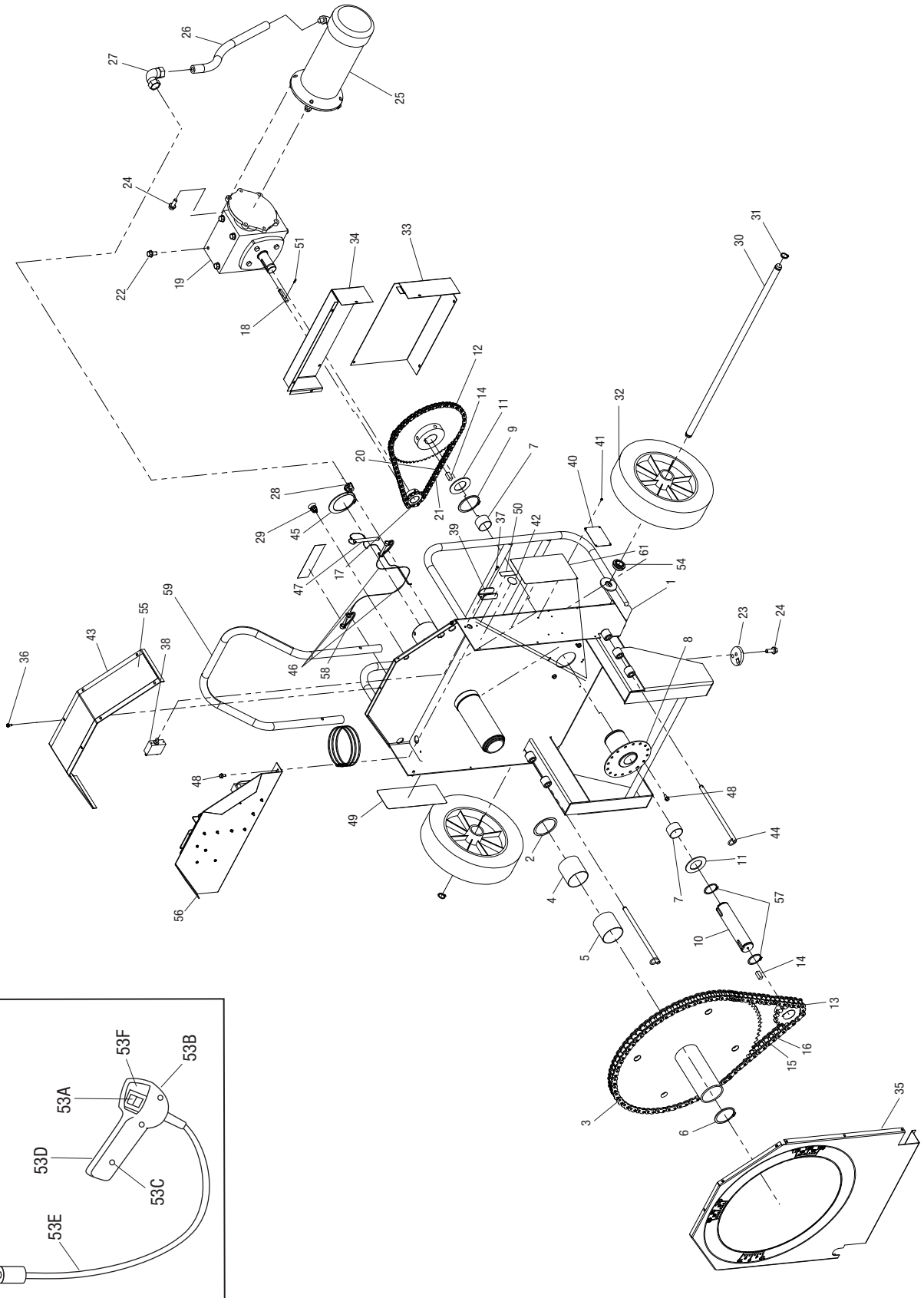
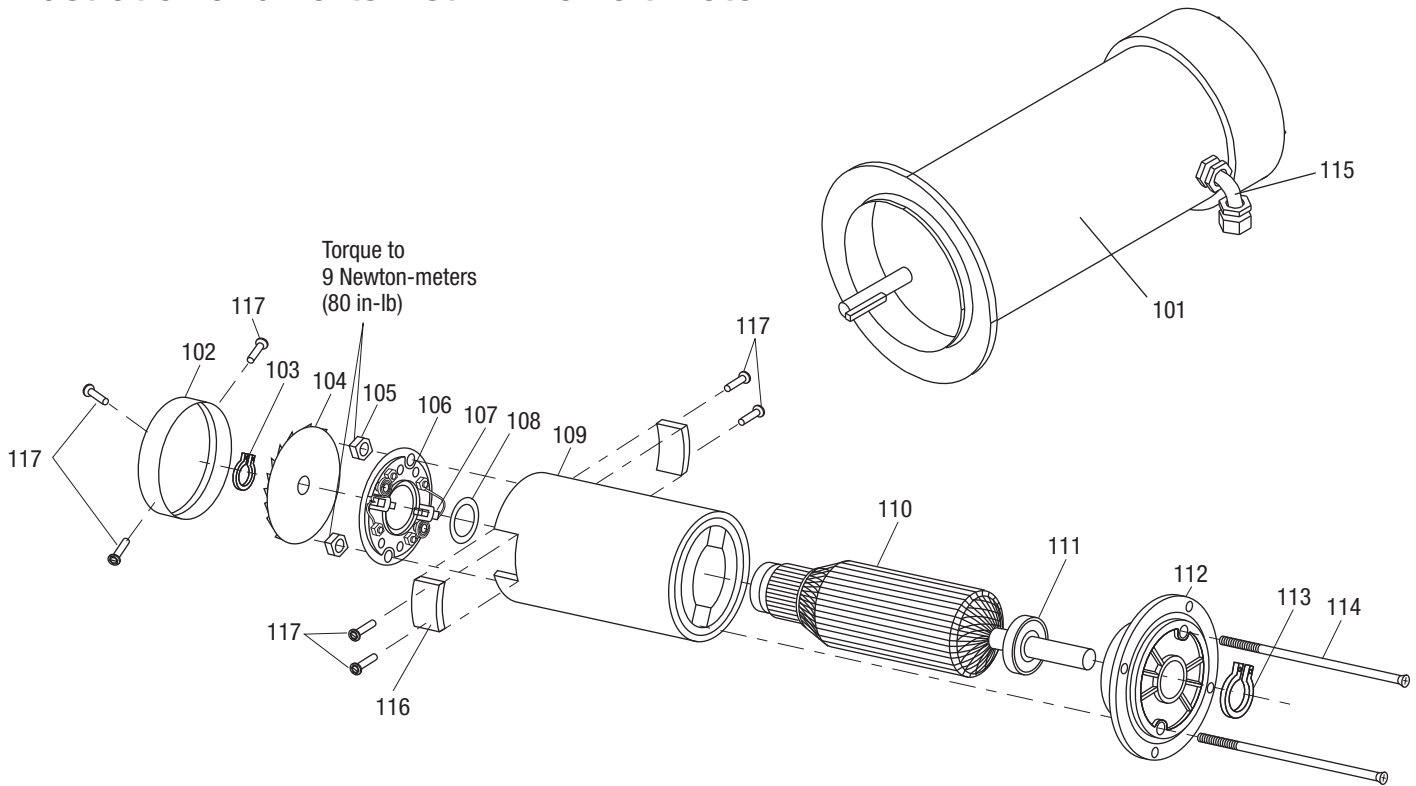


Illustration – 555C Electric Bender Classic



Parts List — 555C Electric Bender Classic

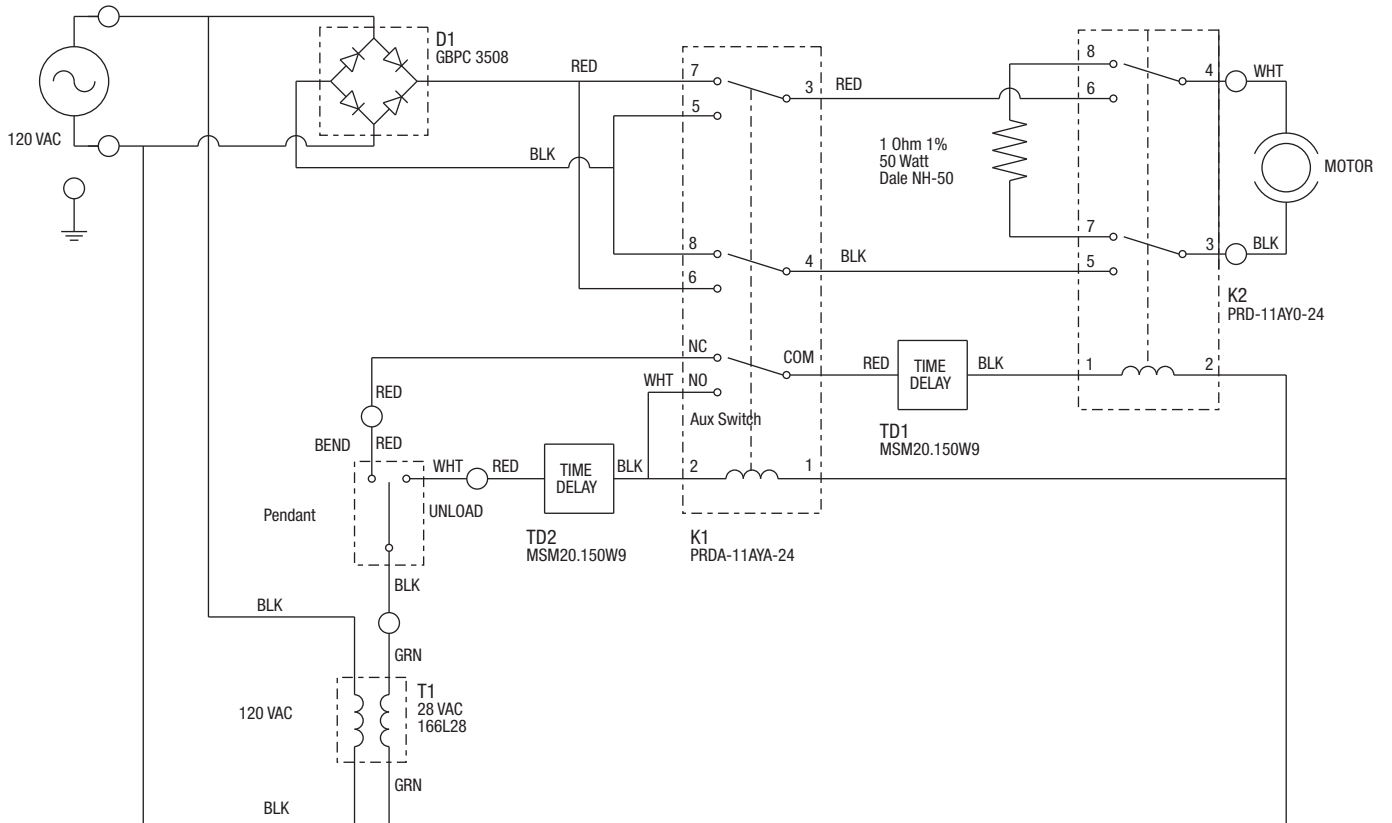
Key	Part No.	Description	Qty	Key	Part No.	Description	Qty
1	50397427	Weldment, main frame	1	39	50297082	Guard, switch	1
2	50234528	Washer, fiber.....	1	40	50069055	Nameplate.....	1
3	50328964	Weldment, sprocket unit	1	41	90530012	Rivet, pop 1/8 x 1/8 drive.....	4
4	90524098	Bearing, Fiberglide® ø2.625 x 2.5 long....	1	42	50303929	Decal, damp warning	1
5	90524101	Bearing, Fiberglide ø2.625 x 3.75 long ...	1	43	50397591	Cover, top.....	1
6	90524144	Ring, retaining #5100-237	1	44	90533895	Pin, hitch	2
7	90524128	Bearing, Fiberglide ø1.625 x 1.00 long ...	2	45	90525019	Ring, retaining #5100-287	1
8	50397630	Weldment, countershaft.....	1	46	90545524	Lanyard	3
9	90540239	Ring, retaining #5100-250.....	1	47	90545451	Pin, hitch	1
10	50397648	Countershaft	1	48	90543351	Screw, 1/4 x .37 thread-forming.....	6
11	90524136	Bearing, thrust Fiberglide	2	49	50339370	Decal, squeeze adjust	1
12	90545486	Sprocket, #40 60T.....	1	50	50389742	Decal, circuit breaker	1
13	90542533	Sprocket, #60 14T.....	1	51	90553233	Pin, DRIV-LOK®, 1/8 x 1/2.....	1
14	50397656	Key, countershaft	2	52	50079123	Power cord.....	1
15	90545460	Chain, #60 87P.....	1	53	50398393	Switch, pendant (complete assembly with Molex plug).....	1
16	90542517	Masterlink, #60.....	1	53A	91864496	Switch, center OFF.....	1
17	90545478	Sprocket, #40 13T.....	1		52093719	Housing Kit, pendant (Includes items 53B, 53C, & 53D).....	1
18	50084313	Key, reductor sprocket	1	53B		Handle, right half	1
19	90523881	Reductor, worm gear.....	1	53C		Screw, #6–20 x .625 pan head, self-tapping.....	3
20	90527879	Masterlink, #40.....	1	53D		Handle, left half.....	1
21	90545516	Chain, #40 87P.....	1	53E	50398377	Cord.....	1
22	90545680	Bolt, 3/8–16 UNC x .75	7	53F	50354876	Decal, faceplate.....	1
23	50397583	Eccentric	1	54	90517407	Washer, flat.....	2
24	90542371	Bolt, 3/8–16 UNC x 1.00	5	55	52066299	Decal, instruction	1
25	91869730	Motor.....	1	56	50068890	Electronic control assembly	1
26	90545494	Conduit, Sealtight.....	1	57	90510518	Ring, retaining #5100-150.....	2
27	91852145	Elbow, Sealtight.....	1	58	90552687	Pin, safety snap.....	2
28	52083217	Strain relief	1	59	50397486	Handle, upper.....	1
29	52085071	Strain relief, pendant switch.....	1	60	50120620	Adapter, with Molex plug (required when replacing pendant switch on units made prior to 3/1/05)	1
30	50397575	Axle	1	61	52025721	Decal, safety/warning.....	1
31	90515285	Ring, retaining #5160-75.....	2				
32	90533909	Wheel	2				
33	50397680	Guard, rear lower.....	1				
34	50397699	Guard, rear upper.....	1				
35	50397605	Cover, front.....	1				
36	90516559	Screw, #10–16 x .50 hex head	31				
37	90504305	Screw, #6–32 x .375 Phillips	2				
38	91863856	Switch, air pax.....	1				

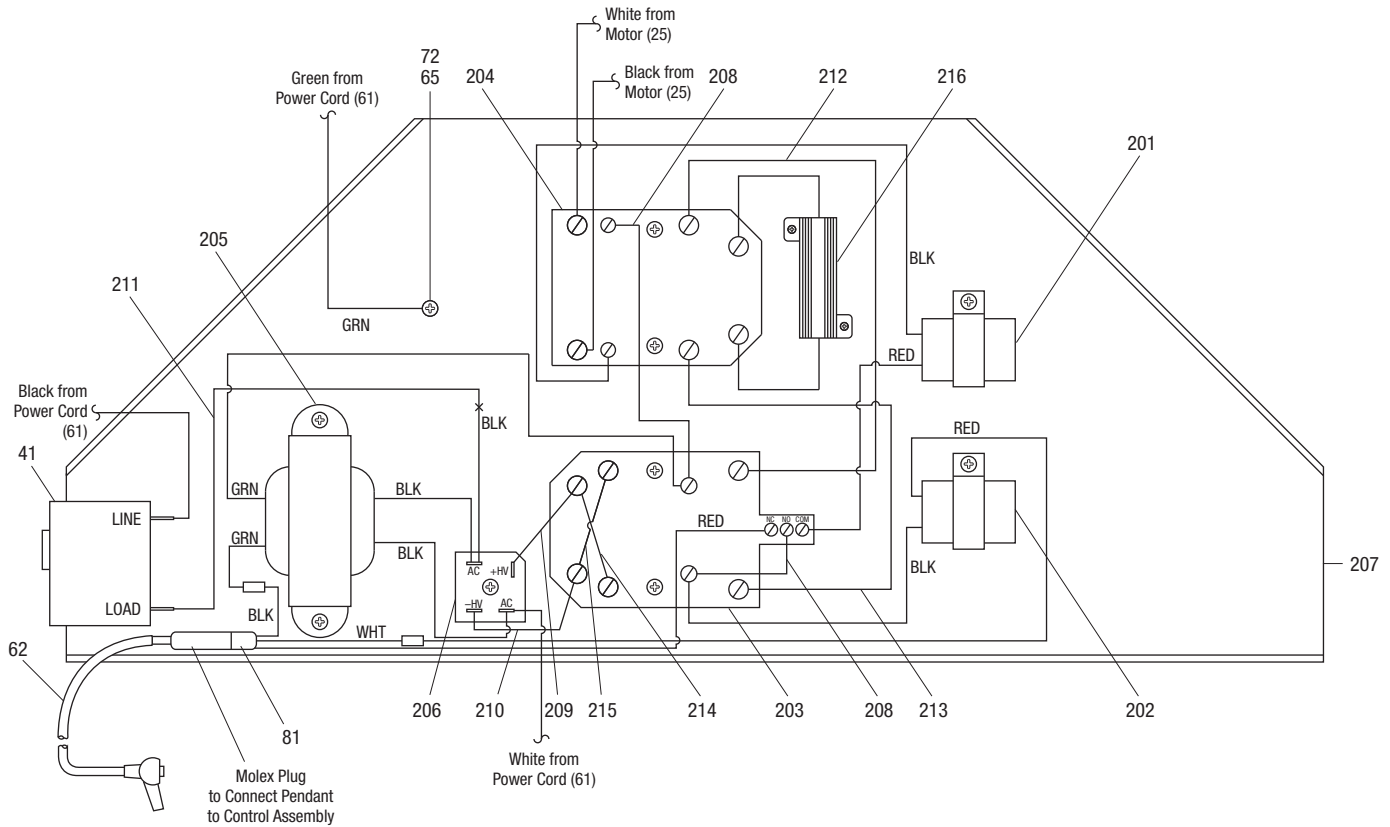
Illustration and Parts List – 115 Volt Motor

Pacific Scientific

Key	Part No.	Description	Qty
101	91869730	Motor (SRF-3648-5532-7-56C).....	1
*	91864178	Motor, 115 Volt (standard) (SRF-3745-4676-2-56C).....	1
102	91864712	Fan cover	1
103	90550714	Retaining ring	1
104	91864321	Fan	1
105	91864283	End bell nut	2
106	91864194	Bell, rear end	1
107	91864208	Brush.....	2
108	91864224	Thrust washer	1
109	91869757	Shell and magnet assembly.....	1
*	91864275	Shell and magnet assembly, 115V.....	1
110	91869749	Armature	1
*	91864259	Armature, 115V	1
111	91864216	Bearing kit	2
112	91864186	Bell, front end.....	1
113	91864240	Retaining ring	1
114	91864267	Tie bolt, 115V	2
115	91858763	90° Connector.....	1
116	91864305	Brush cover.....	2
117	91864313	Cover screw	7

*Note: Alternate motor
Check motor part number before ordering magnet shell or armature.

Schematic Diagram



Control Assembly

Electronic Control Assembly – Part No. 50068890

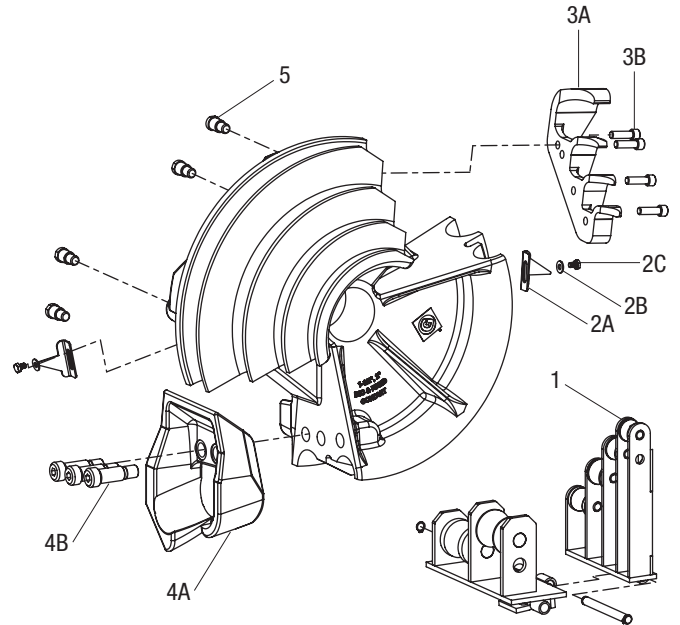
Key	Schematic Reference	Part No.	Description	Qty
201	TD1	50069152	Timer assembly, 150 ms ON Delay	1
202	TD2	50069071	Timer assembly, 150 ms ON Delay	1
203	K1	91869668	Relay, power, DPDT (with switch)	1
204	K2	91869676	Relay, power, DPDT	1
205	T1	50069080	Transformer assembly	1
206	D1	91859972	Bridge rectifier	1
207		50068954	Bracket, electrical mounting	1
208		50068962	Wire harness, 14 AWG	2
209		50060341	Wire harness, 12 AWG (RED)	1
210		50060350	Wire harness, 12 AWG (BLK)	1
211		50069160	Wire unit, BLK Rectifier	1
212		50068989	Wire harness, 12 AWG (RED)	1
213		50068997	Wire harness, 12 AWG (BLK)	1
214		50060481	Wire harness, 12 AWG (RED)	1
215		50060490	Wire harness, 12 AWG (BLK)	1
216		50060511	Resistor unit with leads	1
65		90543297	Screw, #8–32 x .37 ground	1
72		90537246	Washer, internal tooth lock	1
81		50120620	Adapter with Molex Plug	1

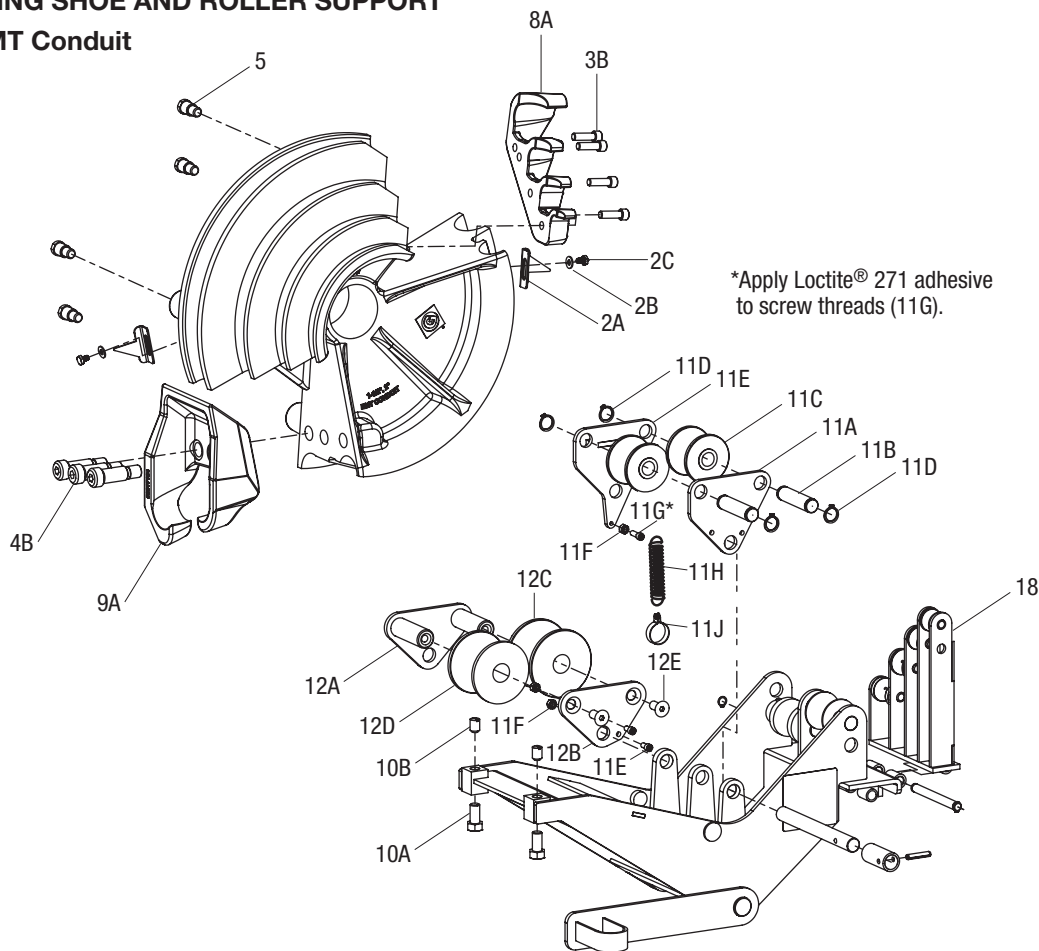
Bending Shoes and Roller Supports

28008 BENDING SHOE AND ROLLER SUPPORT

1/2" to 2" Rigid Conduit
1/2" to 1-1/4" IMC Conduit

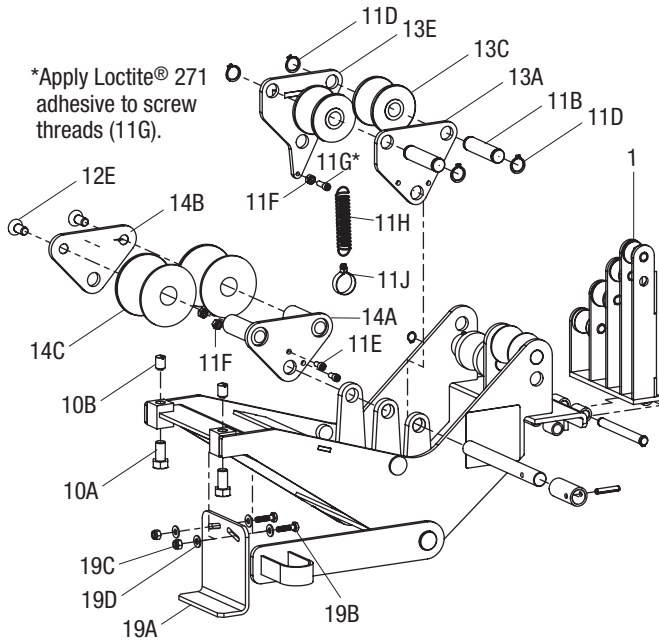
Key	Part No.	Description	Qty
	52066935	Shoe unit, 1/2"-2" rigid/IMC	1
	52066936	Roller support unit, 1/2"-2" rigid.....	1
1	52066937	Roller support, 1/2"-1-1/4"	1
2	52065278	Pointer kit (includes one each 2A-2C)	
2A		Point.....	2
2B		Washer, 1/4" standard.....	2
2C		Screw, 1/4-20 x 3/8 hex hd cap.....	2
3	52065279	Hook kit, 1/2"-1-1/4" rigid/IMC	
3A		Hook, 1/2"-1-1/4" rigid/IMC	1
3B		Screw, 3/8-16 x 1-1/4 skt hd cap.....	4
4	52065280	Hook kit, 1-1/2"-2" rigid/IMC	
4A		Hook, 1-1/2"-2" rigid/IMC	1
4B		Shoulder screw, ø.75 x 1.50 x 5/8-11	3
5	52066933	Drive pin	4



Bending Shoes and Roller Supports (cont'd)
23803 BENDING SHOE AND ROLLER SUPPORT
1/2" to 2" EMT Conduit


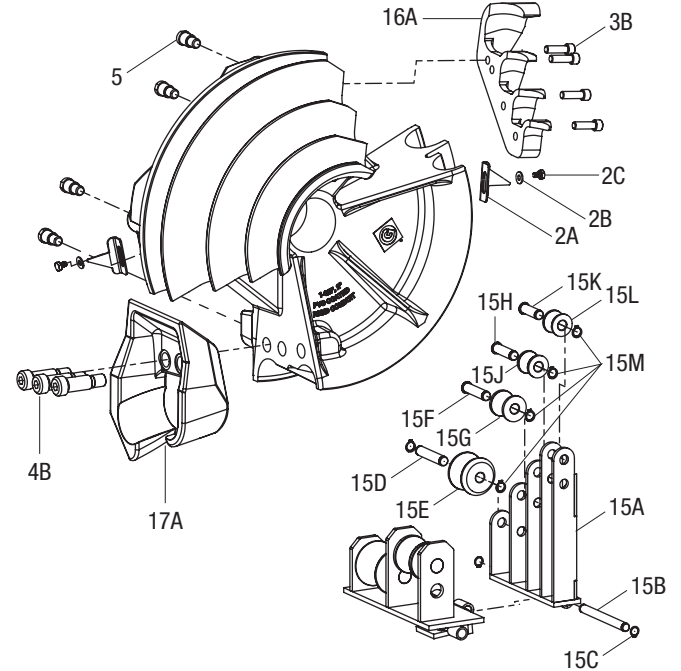
Key	Part No.	Description	Qty
	52066931	Shoe unit, 1/2"-2" EMT.....	1
	52066932	Bridge unit, 1/2"-2" EMT	1
2	52065278	Pointer kit (includes one each 2A-2C)	
2A		Point.....	2
2B		Washer, 1/4" standard.....	2
2C		Screw, 1/4-20 x 3/8 hex hd cap.....	2
8	52065321	Hook kit, 1/2"-1-1/4" EMT	
8A		Hook, 1/2"-1-1/4" EMT.....	1
3B		Screw, 3/8-16 x 1-1/4 skt hd cap.....	4
9	52065322	Hook kit, 1-1/2"-2" EMT	
9A		Hook, 1-1/2"-2" EMT.....	1
4B		Shoulder screw, ø.75 x 1.50 x 5/8-11	3
5	52066933	Drive pin	4
10	52065273	Screw kit (includes one each 10A-10B)	
10A		Screw, 1/2-13 x 1 hex hd cap	2
10B		Screw, 1/2-13 x 3/4 slotted set.....	2

Key	Part No.	Description	Qty
11	52065274	Roller kit, 1-1/2" EMT	
11A		Pivot plate	1
11B		Pin, 1-1/2" EMT roller.....	2
11C		Roller, 1-1/2" EMT	2
11D		Retaining ring, Truarc #5160 EX.....	4
11E		Pivot plate, rear	1
11F		Hex nut, 1/4-20	1
11G		Screw, 1/4-20 x 3/4 skt hd cap.....	1
11H		Spring, extension	1
11J		Clamp, loop type.....	1
12	52065275	Roller kit, 2" EMT	
12A		Support weldment, 2" EMT.....	1
12B		Plate, 2" EMT	1
12C		Roller, 2" EMT back (larger OD)	1
12D		Roller, 2" EMT front (smaller OD)	1
12E		Screw, 7/16-14 x 1 flat hd cap	2
11E		Screw, 1/4-20 x 1/2 skt hd cap.....	2
11F		Hex nut, 1/4-20	2
18	52066934	Roller support, 1/2"-1-1/4" EMT.....	1

Bending Shoes and Roller Supports (cont'd)
01323 BRIDGE UNIT
1/2" to 2" IMC and Rigid Conduit


*Apply Loctite® 271 adhesive to screw threads (11G).

Key	Part No.	Description	Qty
	52064757	Bridge unit, 1/2"-2" IMC/rigid.....	1
10	52065273	Screw kit (includes one each 10A-10B)	
10A		Screw, 1/2-13 x 1 hex hd cap.....	2
10B		Screw, 1/2-13 x 3/4 slotted set.....	2
13	52065276	Roller kit, 1-1/2" IMC	
13A		Pivot plate.....	1
11B		Pin, 1-1/2" EMT roller.....	2
13C		Roller, 1-1/2" IMC.....	2
11D		Retaining ring, Truarc #5160 EX.....	4
13E		Pivot plate, rear.....	1
11F		Hex nut, 1/4-20.....	1
11G		Screw, 1/4-20 x 3/4 skt hd cap.....	1
11H		Spring, extension.....	1
11J		Clamp, loop type.....	1
14	52065277	Roller kit, 2" IMC	
14A		Support weldment, 2" IMC.....	1
14B		Plate, 2" IMC.....	1
14C		Roller, 2" IMC.....	2
12E		Screw, 7/16-14 x 1 flat hd cap.....	2
11E		Screw, 1/4-20 x 1/2 skt hd cap.....	2
11F		Hex nut, 1/4-20.....	2
1	52066937	Roller support, 1/2"-1-1/4" IMC/rigid.....	1
19	52066949	Plate kit (includes 19A-19D)	
19A		Plate, bridge trap.....	1
19B		Screw, 1/4-20 x 1-1/4 hex hd cap.....	2
19C		Lock nut, 1/4-20.....	2
19D		Washer, 1/4" standard.....	4

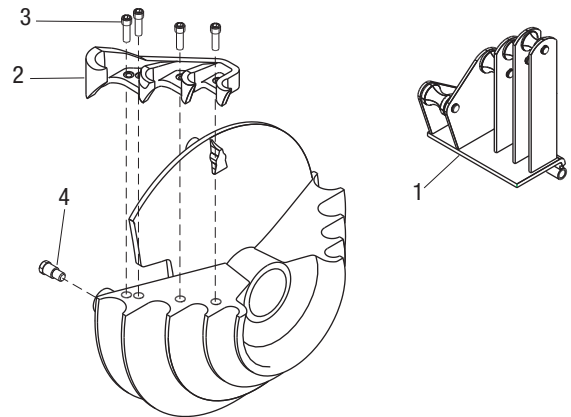
12586 PVC BENDING SHOE AND ROLLER SUPPORT
1/2" to 2" 40 MIL PVC-Coated Rigid Conduit


Key	Part No.	Description	Qty
	52066939	Shoe unit, 1/2"-2" PVC-coated rigid	
	52066940	Roller support unit, 1/2"-2"	
15	52065272	Roller support, 1/2"-1-1/4"	
15A		Support weldment.....	1
15B		Pivot pin.....	1
15C		Retaining ring, Truarc #5160-42 EX.....	2
15D		Axle, 1-1/4" roller.....	1
15E		Roller, 1-1/4".....	1
15F		Axle, 1" roller.....	1
15G		Roller, 1".....	1
15H		Axle, 3/4" roller.....	1
15J		Roller, 3/4".....	1
15K		Axle, 1/2" roller.....	1
15L		Roller, 1/2".....	1
15M		Retaining ring, Truarc #5160-50 EX.....	5
2	52065278	Pointer kit (includes one each 2A-2C)	
2A		Point.....	2
2B		Washer, 1/4" standard.....	2
2C		Screw, 1/4-20 x 3/8 hex hd cap.....	2
16	52065323	Hook kit, 1/2"-1-1/4" PVC	
16A		Hook, 1/2"-1-1/4" PVC.....	1
3B		Screw, 3/8-16 x 1-1/4 skt hd cap.....	4
17	52065324	Hook kit, 1-1/2"-2" PVC	
17A		Hook, 1-1/2"-2" PVC.....	1
4B		Shoulder screw, ø.75 x 1.50 x 5/8-11.....	3
5	52066933	Drive pin.....	4

Bending Shoes and Roller Supports (cont'd)
**BENDING SHOE AND ROLLER SUPPORT
1/2" to 1-1/4" IMC and Rigid Conduit**

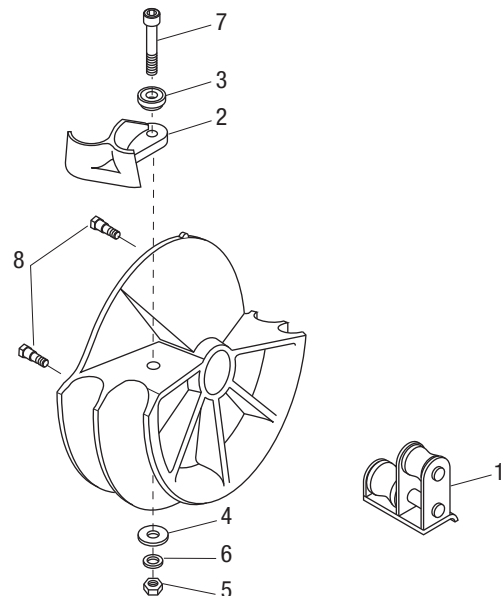
Key	Part No.	Description	Qty
1	50009362	Roller support, 1/2" to 1-1/4" IMC and rigid.....	1
	50005715	Bending shoe assembly (includes 2-4)	1
2	50005693	Hook.....	1
3		Screw, 3/8-16 UNC x 1-1/4" socket head cap.....	4
4	50234226	Stud, drive	3

Shoe not available separately.


**BENDING SHOE AND ROLLER SUPPORT
1-1/2" to 2" Rigid Conduit**

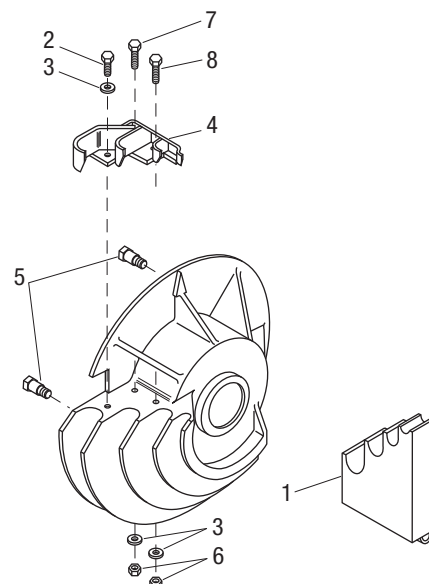
Key	Part No.	Description	Qty
1	50179845	Roller support, 1-1/2" to 2" rigid conduit	1
	50179373	Bending shoe assembly, 1-1/2" to 2" rigid conduit (includes 2-8).....	1
2	50179691	Pipe hook	1
3	50179748	Pivot	1
4	90526759	Washer, 5/8 flat.....	1
5	90515692	Nut, 5/8-11 UNC hex	1
6	90509056	Lock washer, 5/8 split	1
7	90524268	Screw, 5/8-11 UNC x 4" socket head cap.....	1
8	50234226	Stud, drive.....	4

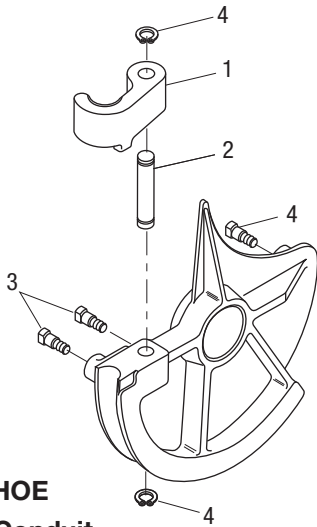
Shoe not available separately.


**BENDING SHOE AND PIPE REST
1/2" to 1-1/4" EMT Conduit**

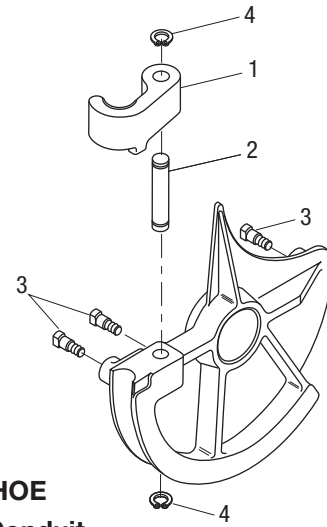
Key	Part No.	Description	Qty
1	50179861	Pipe rest assembly for 1/2" to 1-1/4" EMT conduit.....	1
	50179446	Bending shoe assembly for 1/2" to 2-1/4" EMT conduit (includes 2-8).....	1
2		Screw, 3/8-16 UNC x 1" socket head cap.....	1
3		Lock washer, 3/8 split	3
4	50245554	Pipe hook	1
5	50234226	Stud, drive.....	4
6		Nut, 3/8-16 UNC hex, cad.-plated.....	2
7		Screw, 3/8-16 UNC x 1-1/4 SAE grade 5 socket head cap.....	1
8		Screw, 3/8-16 UNC x 1-1/4 socket head	1

Shoe not available separately.

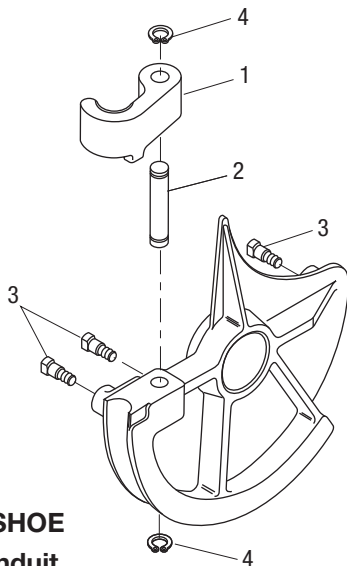


Bending Shoes and Roller Supports (cont'd)

BENDING SHOE
1-1/2" EMT Conduit

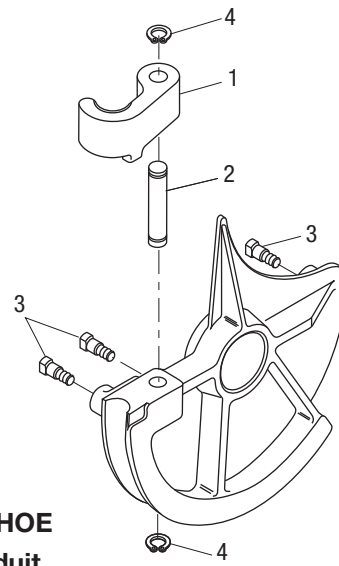
Key	Part No.	Description	Qty
	50234994	Shoe unit, 1-1/2" EMT (includes 1-4).....	1
1	50188208	Hook, 1-1/2" EMT	1
2	50188410	Pin, 1-1/2" EMT hook.....	1
3	50234226	Stud, drive.....	3
4	90515293	Ring, Tru-Arc #5160-87 retaining	2


BENDING SHOE
1-1/2" IMC Conduit

Key	Part No.	Description	Qty
	50253631	Shoe unit, 1-1/2" IMC (includes 1-4)	1
1	50188119	Hook, 1-1/2" IMC.....	1
2	50188372	Pin, 1-1/2" IMC	1
3	50234226	Stud, drive.....	3
4	90515285	Ring, Tru-Arc retaining.....	2

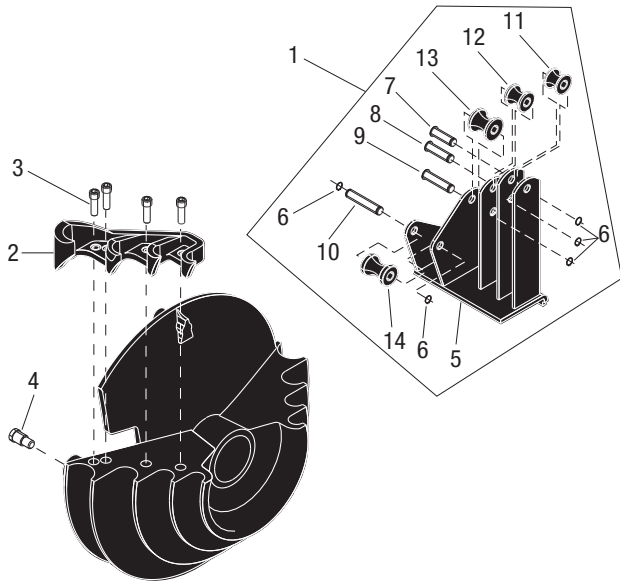

BENDING SHOE
2" EMT Conduit

Key	Part No.	Description	Qty
	50235052	Shoe unit, 2" EMT conduit (includes 1-4)	1
1	50188186	Hook, 2" EMT.....	1
2	50188429	Pin, 2" EMT hook	1
3	50234226	Stud, drive.....	3
4	90515293	Ring, Tru-Arc #5160-87, retaining	2


BENDING SHOE
2" IMC Conduit

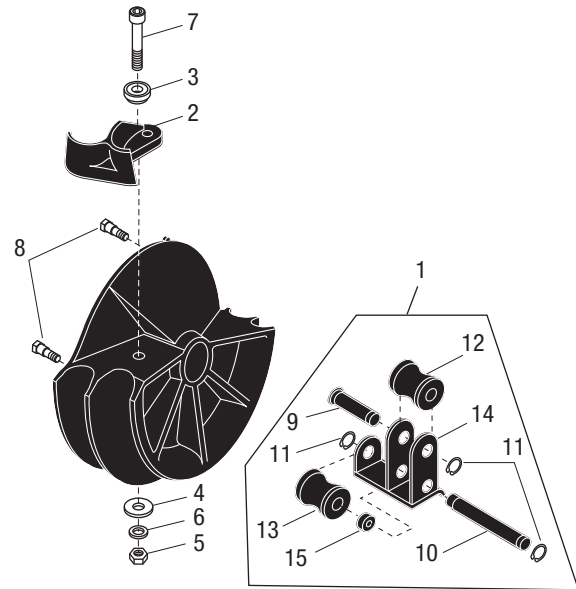
Key	Part No.	Description	Qty
	50252682	Shoe unit, 2" IMC (includes 1-4)	1
1	50001957	Hook, 2" IMC.....	1
2	50188429	Pin, 2" IMC	1
3	50234226	Stud, drive.....	3
4	90515293	Ring, Tru-Arc retaining.....	2

Bending Shoes and Roller Supports (cont'd)



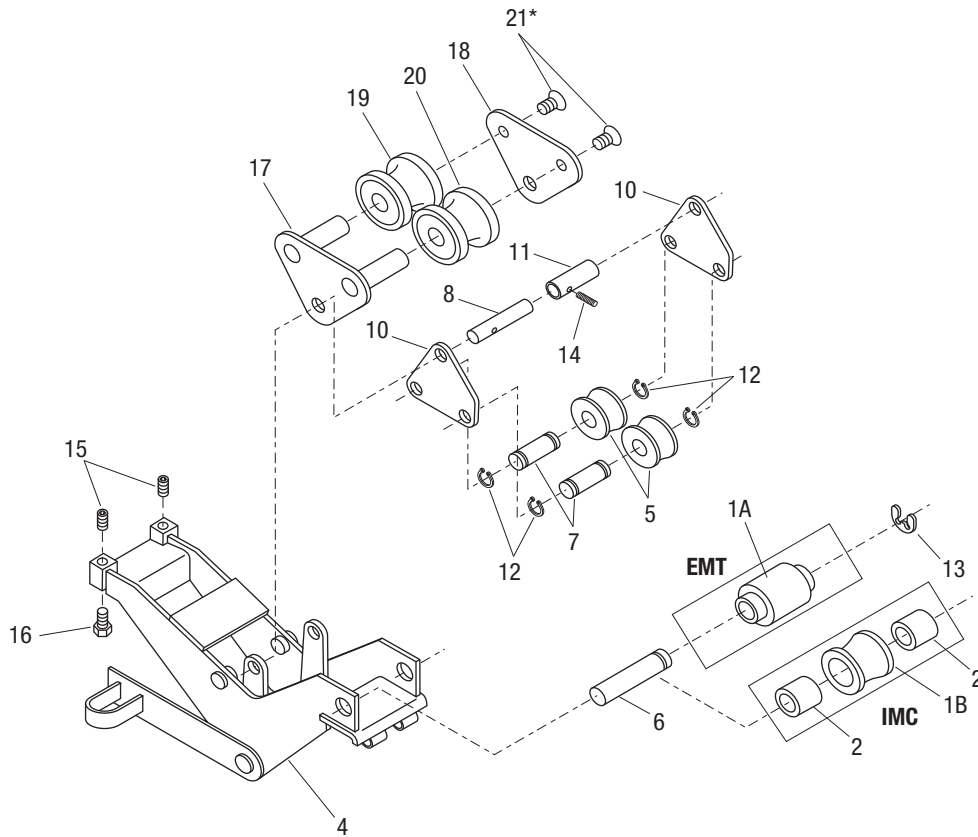
BENDING SHOE AND ROLLER SUPPORT
1/2" to 1-1/4" 40 Mil PVC-Coated Rigid Conduit

Key	Part No.	Description	Qty
1	50009460	Roller support, 1/2" to 1-1/4" PVC-coated rigid (includes 5-14).....	1
	50005731	Bending shoe assembly, 1/2" to 1-1/4" PVC-coated rigid (includes 2-4)	1
2	50005707	Hook.....	1
3	90510887	3/8-16 UNC x 1-1/4" Socket head cap screw.....	4
4	50234226	Stud, drive.....	3
5	50009451	Support weldment, roller.....	1
6	90513533	Retaining ring	5
7	50009230	1/2" Roller axle.....	1
8	50009249	3/4" Roller axle.....	1
9	50009257	1" Roller axle.....	1
10	50009265	1-1/4" Roller axle	1
11	50009273	1/2" Roller	1
12	50009281	3/4" Roller	1
13	50009290	1" Roller.....	1
14	50009303	1-1/4" Roller.....	1



BENDING SHOE AND ROLLER SUPPORT
1-1/2" to 2" 40 Mil PVC-Coated Rigid Conduit

Key	Part No.	Description	Qty
1	50372823	Roller support, 1-1/2" to 2" PVC-coated rigid (includes 9-15).....	1
	50372815	Bending shoe assembly, 1-1/2" to 2" PVC (includes 2-8)	1
2	50024990	Hook.....	1
3	50179748	Pivot	1
4	90526759	5/8" Flat washer	1
5	90515692	5/8-11 UNC Hex nut.....	1
6	90509056	5/8" Lock washer	1
7	90524268	5/8-11 UNC x 4" socket head cap screw	1
8	50234226	Stud, drive.....	4
9	50376624	1-1/2" Shaft.....	1
10	50376616	2" Shaft	1
11	90515285	Retaining ring	3
12	50372840	1-1/2" Roller.....	1
13	50372831	2" Roller.....	1
14	50376640	Support weldment.....	1
15	50320254	Spacer.....	1

Bending Shoes and Roller Supports (cont'd)

EMT ROLLER SUPPORT UNIT

Key	Part No.	Description	Qty
	50235419	Support unit, 1-1/2" and 2" EMT roller (includes all of the following).....	1
1A	50279831	Roller unit, cushioned.....	1
4	50235397	Frame unit	1
5	50235109	Roller, 1-1/2" EMT	2
6	50235117	Pin, roller support.....	1
7	50239325	Pin, 1-1/2" EMT roller.....	2
8	50235176	Pin, roller pivot	1
10	50235249	Plate, 1-1/2" EMT pivot.....	2
11	50237934	Spacer	1
12	90515285	Ring, retaining	4
13	90524640	Ring, Tru-Arc #X5133-98 external series "E" retaining	1
14	90514912	Rollpin, #59, -040-187-1250	1
15	90528484	Screw, 1/2-13 UNC x 3/4 cup point socket set.....	2
16	90505425	Screw, 1/2-13 UNC x 1, hex head cap ...	2
17	50349643	Support weldment, 2" roller	1
18	50349651	Plate, 2" inner roller support	1
19	50235192	Roller, 2" EMT front	1
20	50237926	Roller, 2" EMT back.....	1
21*	90533941	Screw, 7/16-14 UNC x 1, flat head.....	2

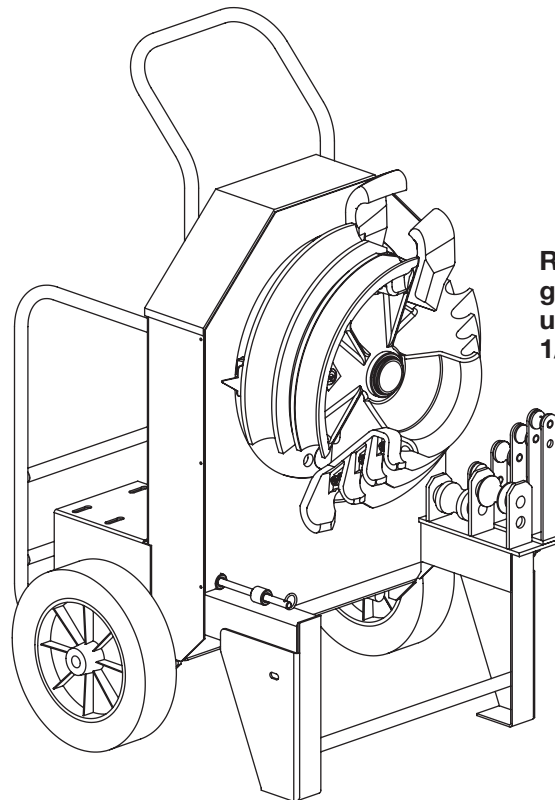
IMC ROLLER SUPPORT UNIT

Key	Part No.	Description	Qty
	50252739	Support unit, 1-1/2" and 2" IMC roller (includes 1 and 2).....	1
1B	50283340	Roller	1
2	50283359	Spacer	2
4	50263250	Frame unit	1
5	50252747	Roller, 1-1/2" IMC.....	2
6	50235117	Pin, roller support.....	1
7	50239325	Pin, 1-1/2" IMC roller.....	2
8	50235176	Pin, roller pivot	1
10	50235249	Plate, 1-1/2" IMC pivot.....	2
11	50237934	Spacer	1
12	90515285	Ring, retaining	4
13	90524640	Ring, Tru-Arc #X5133-98 external series "E" retaining	1
14	90514912	Rollpin, #59, -040-187-1250	1
15	90528484	Screw, 1/2-13 UNC x 3/4 cup point socket set.....	2
16	90505425	Screw, 1/2-13 UNC x 1, hex head cap ...	2
17	50349643	Support weldment, 2" roller	1
18	50349651	Plate, 2" inner roller support	1
19	50252798	Roller, 2" IMC	2
21*	90533941	Screw, 7/16-14 UNC x 1, flat head.....	2

*Key No. 21 must be torqued to 54 to 61 Newton-meters (40 to 45 ft-lb).



MODE D'EMPLOI



Représenté avec le
groupe de sabots
uniques pour rigide de
1/2 po à 2 po

English	1
Español.....	89

Cintreuse électrique classique 555C

Codes série AFB et ADE



Lire et comprendre l'ensemble des instructions et des renseignements de sécurité de ce manuel avant l'utilisation ou l'entretien de cet outil.

GREENLEE.COM/QR/555C

Enregistrer ce produit sur www.greenlee.com

Table des matières

Description	46
Sécurité	46
Objet du manuel	46
Informations importantes de sécurité.....	47 à 48
Instructions de mise à la terre	49
Identification.....	50
Spécifications.....	50
Groupes d'accessoires de cintrage.....	51 à 52
Mise en service.....	53 à 54
Utilisation.....	55 à 57
Glossaire de cintrage illustré	58
Instructions de cintrage.....	59 à 60
Instructions de cintrage supplémentaires	61 à 63
Tableaux de cintrage supplémentaires.....	64 à 70
Dépose et remplacement de la poignée	71
Transport	71
Entretien	72
Dépannage	73 à 75
Illustrations et listes des pièces détachées.....	76 à 78
Schéma	79
Ensemble de commande	80
Sabots de cintrage et supports de galet.....	81 à 87

Description

La cintreuse électrique classique 555C de Greenlee est conçue pour cintrer les conduits et tuyaux de 1/2 po à 2 po.

Des groupes de sabots de cintrage uniques sont disponibles pour les types suivants :

- Tube métallique pour conduit électrique
- Conduit métallique intermédiaire
- Conduit rigide
- Conduit rigide revêtu de PVC
- Tuyau de nomenclature 40

Les groupes de sabots uniques sont présentés dans la rubrique « Groupes d'accessoires de cintrage » de ce manuel.

Sécurité

Lors de l'utilisation et de l'entretien des outils et de l'équipement Greenlee, la sécurité est essentielle. Le mode d'emploi et les marquages sur l'outil fournissent des renseignements qui permettent d'éviter les dangers et les manipulations dangereuses liés à l'utilisation de cet outil. Veuillez respecter toutes les informations de sécurité fournies.


Objet du manuel

Ce manuel vise à familiariser le personnel avec les procédures de sécurité d'utilisation et d'entretien pour l'outil suivant de Greenlee :

Cintreuse électrique classique 555C
Codes série AFB et ADE

Mettre ce manuel à la disposition de tout le personnel.

Des manuels de remplacement peuvent être obtenus sur demande sans frais sur le site www.greenlee.com.

 **Ne pas éliminer ni jeter ce produit!** Pour obtenir des renseignements sur le recyclage, rendez-vous sur le site www.greenlee.com.

Toutes les spécifications sont nominales et peuvent changer lorsque des améliorations sont apportées à la conception. Greenlee Tools, Inc. décline toute responsabilité quant aux dommages résultant d'un emploi inadéquat ou d'un mauvais usage de ses produits.

Loctite est une marque de commerce déposée de Henkel Corp.

Mobil est une marque de commerce déposée de Mobil Oil Corporation.

CONSERVER CE MODE D'EMPLOI

INFORMATIONS IMPORTANTES DE SÉCURITÉ



SYMBOLE D'AVERTISSE- MENT DE SÉCURITÉ

Ce symbole met en garde contre les risques ou les pratiques dangereuses pouvant causer des blessures ou des dommages matériels. Le mot indicateur, défini ci-dessous, indique la gravité du danger. Le message après le mot indicateur fournit de l'information qui permet de prévenir ou d'éviter le danger.

⚠ DANGER

Danger immédiat qui, s'il n'est pas évité, ENTRAÎNERA des blessures graves, voire mortelles.

⚠ AVERTISSEMENT

Dangers qui, s'ils ne sont pas évités, POURRAIENT entraîner des blessures graves, voire mortelles.

⚠ ATTENTION

Dangers ou pratiques dangereuses qui, s'ils ne sont pas évités, SONT SUSCEPTIBLES d'entraîner des blessures ou des dommages matériels.

⚠ AVERTISSEMENT

Danger de décharge électrique :

- Brancher le cordon électrique uniquement sur une prise de courant de 120 V, 20 A installée sur un circuit protégé par un disjoncteur différentiel. Voir « Instructions de mise à la terre ».
- Ne pas modifier le cordon d'alimentation ou la prise.
- Inspecter le cordon d'alimentation avant utilisation. Réparer ou remplacer le cordon électrique s'il est endommagé.
- Débrancher l'alimentation avant de l'effectuer l'entretien courant.

Le non-respect de ces mises en garde peut entraîner des blessures graves, voire mortelles.



⚠ AVERTISSEMENT



- Ne pas exposer à la pluie.
- Ne pas utiliser dans des zones mouillées ou humides.

Le non-respect de ces mises en garde peut entraîner des blessures graves, voire mortelles.

⚠ DANGER



Veillez lire et comprendre toutes les instructions et tous les renseignements de sécurité du présent mode d'emploi avant d'utiliser cet outil ou d'en effectuer l'entretien.

Le non-respect de cette mise en garde entraînera des blessures graves, voire mortelles.

⚠ AVERTISSEMENT



Veiller à porter des lunettes de protection lors de l'utilisation ou de l'entretien de cet outil.

L'absence de protection oculaire peut entraîner des lésions oculaires graves causées par des projections de débris.

⚠ DANGER



Ne pas utiliser cet outil dans un environnement dangereux. Ces dangers comprennent notamment les liquides, les gaz et autres matières inflammables. L'utilisation de cet outil dans un environnement dangereux peut provoquer un incendie ou une explosion.

Le non-respect de cette mise en garde entraînera des blessures graves, voire mortelles.

⚠ AVERTISSEMENT



Ne retirez pas les protections.

Le non-respect de cette mise en garde peut entraîner des blessures graves, voire mortelles.



INFORMATIONS IMPORTANTES DE SÉCURITÉ

	⚠ AVERTISSEMENT
	<p>Rallonges :</p> <ul style="list-style-type: none"> • N'utiliser que des rallonges de calibre 12 à trois fils, avec des fiches de mise à la terre à trois branchements et des prises à trois orifices qui acceptent la fiche de l'outil. • N'utiliser aucune rallonge de plus de 30 m (100 pi). • Réparer ou remplacer les rallonges endommagées. <p>Le non-respect de ces mises en garde peut entraîner des blessures graves, voire mortelles.</p>

	⚠ ATTENTION
	<p>Ne pas utiliser d'escabeau ni d'échelle.</p> <p>Le non-respect de cette mise en garde peut entraîner des blessures graves, voire mortelles.</p>

⚠ AVERTISSEMENT
<p>S'assurer que la poignée est correctement installée et sécurisée avec les attaches à ressort de sécurité et les goupilles avant de soulever ou de déplacer la cintreuse. Une poignée mal montée peut provoquer une chute de la cintreuse et blesser les personnes présentes.</p> <p>Le non-respect de cette mise en garde peut entraîner des blessures graves, voire mortelles.</p>


⚠ ATTENTION
<ul style="list-style-type: none"> • Le conduit se déplace rapidement durant le cintrage. Le passage du conduit doit être dégagé de tout obstacle. S'assurer que l'espace disponible est suffisant avant de démarrer le cintrage. • Ne pas utiliser la cintreuse si vous portez des vêtements amples. Les vêtements amples peuvent être pris dans les pièces mobiles. • Contrôler la cintreuse avant utilisation. Remplacez les pièces usagées, endommagées ou manquantes par des pièces de rechange Greenlee. Un élément endommagé ou mal assemblé peut se casser et blesser les personnes à proximité. • En raison de leur poids, le levage et l'assemblage de certains accessoires et pièces de la cintreuse peuvent nécessiter plus d'une personne. • Utiliser cet outil pour l'usage prévu par le fabricant uniquement. Tout emploi autre que celui préconisé dans ce manuel peut entraîner des blessures ou des dégâts matériels. <p>Le non-respect de cette mise en garde peut entraîner des blessures graves, voire mortelles.</p>

	⚠ AVERTISSEMENT
	<p>Points de pincement :</p> <p>Tenir les mains à l'écart du sabot de cintrage, des galets et du conduit lorsque la cintreuse est en cours d'utilisation.</p> <p>Le non-respect de cette mise en garde peut entraîner des blessures graves, voire mortelles.</p>

⚠ AVERTISSEMENT
<p>Débrancher la cintreuse avant de changer d'accessoires. Le démarrage accidentel pourrait entraîner des blessures graves.</p>

Remarque : Conserver tous les décalques dans un état propre et lisible; les remplacer au besoin.

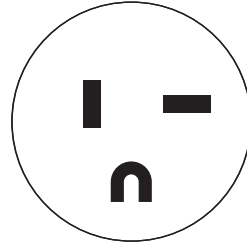
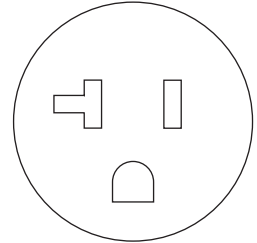
Instructions de mise à la terre

	⚠ AVERTISSEMENT
	<p>Danger de décharge électrique :</p> <ul style="list-style-type: none">• Ne pas modifier la fiche fournie avec l'outil.• Brancher cet outil sur une prise raccordée à la terre, alimentée par un circuit de 20 A protégé par un disjoncteur différentiel. <p>Le non-respect de ces avertissements pourrait entraîner des blessures graves, voire mortelles.</p>

Cet outil doit être mis à la terre. En cas de mauvais fonctionnement ou de panne, la mise à la terre offre un chemin de moindre résistance au courant électrique. Ce chemin de moindre résistance est destiné à réduire le risque de décharge électrique.

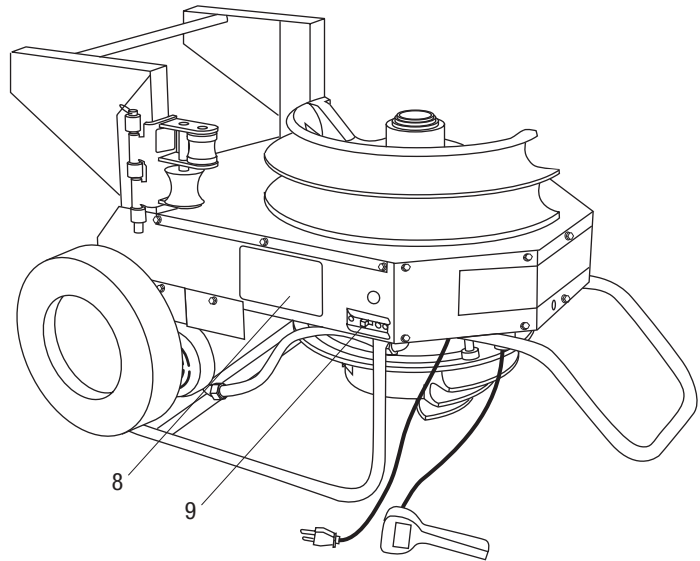
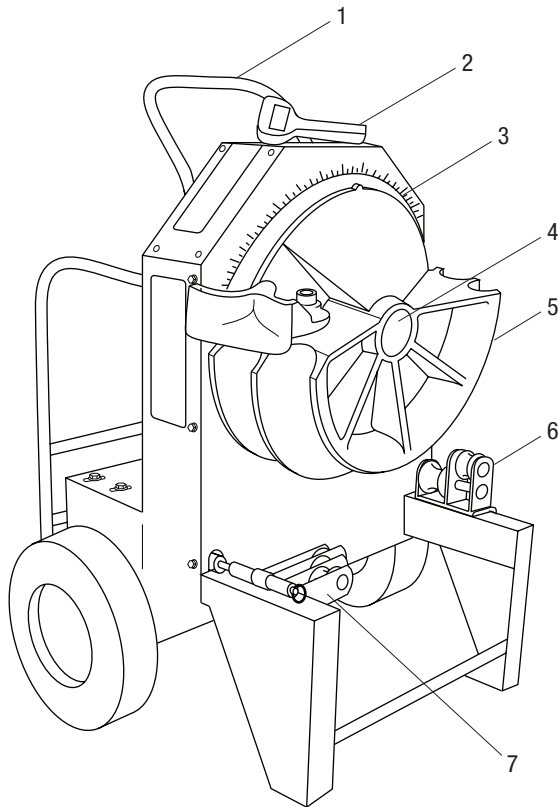
Le cordon électrique de cet outil comporte un conducteur de mise à la terre et une fiche de mise à la terre, tel qu'indiqué. Ne pas modifier la fiche. Brancher la fiche sur une prise correspondante protégée par un DDFT, qui a été correctement installée et mise à la terre en conformité avec tout code et règlement national et/ou local en vigueur.

Ne pas utiliser d'adaptateur.

20 A/120 V**Prise et fiche****Fiche****Prise**

Ne pas modifier la fiche fournie. Si elle ne passe pas dans la prise, faire installer une prise appropriée par un électricien qualifié. Le raccordement incorrect du conducteur de mise à la terre peut présenter un risque d'électrocution. Le conducteur dont la gaine isolante a une surface extérieure verte avec ou sans bandes jaunes est le conducteur de mise à la terre. Si le cordon électrique ou sa fiche doivent être réparés ou changés, ne pas raccorder le conducteur de mise à la terre à une borne sous tension. S'adresser à un électricien ou à un personnel d'entretien qualifié si les consignes de mise à la terre ne sont pas complètement comprises ou en cas de doute concernant la mise à la terre appropriée de l'outil.

Identification

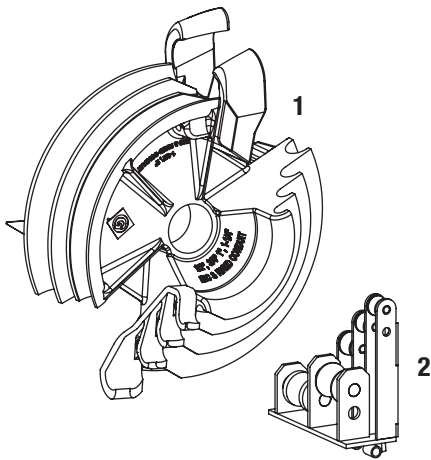


Cintreuse électrique 555RC (représentée)

- | | |
|-----------------------|---|
| 1. Poignée | 6. Support de galet de 1-1/2 po à 2 po |
| 2. Rapporteur | 7. Support de galet de 1/2 po à 1-1/4 po
(en position de stockage) |
| 3. Rapporteur d'angle | 8. Décalque des instructions de cintrage |
| 4. Arbre principal | 9. Disjoncteur (interrupteur ON/OFF [marche/arrêt]) |
| 5. Sabot de cintrage | |

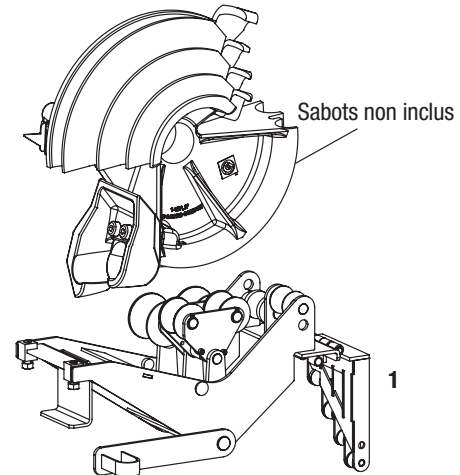
Spécifications

Hauteur	1 118 mm (44 po)
Largeur	724 mm (28,5 po)
Profondeur	521 mm (20,5 po)
Masse/Poids (cintreuse sans sabots ni supports de galet)	118 kg (260 lb)
Alimentation	120 Vca, 20 A avec fiche protectrice DDFT
Conditions d'utilisation	
Température.....	-20 °C à 49 °C (-5 °F à 120 °F)
Humidité relative.....	0 à 98 %
Capacité.....	Conduit de 1/2 po à 2 po, tuyau de nomenclature 40

Groupes d'accessoires de cintrage
SABOT UNIQUE RIGIDE


28008 : pour sabot rigide de 1/2 po à 2 po
pour sabot IMC de 1/2 po à 1-1/4 po
pour tuyau de nomenclature 40 de 1/2 po à 2 po

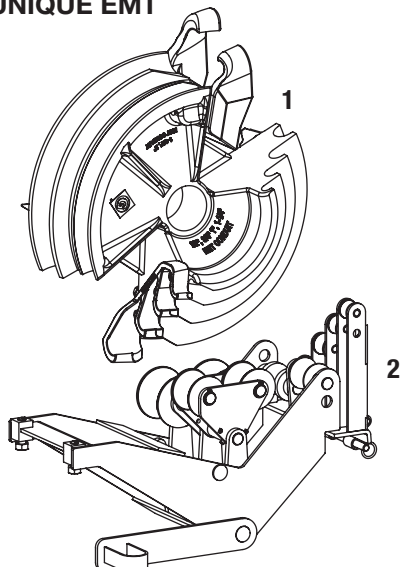
Numéro	N° CUP 78-3310-	Description
1	02548	Sabots de cintrage pour 1/2 po à 2 po
2	02549	Ensemble de support de galets pour 1/2 po à 2 po
	23818	Caisse de rangement

SABOT UNIQUE RIGIDE/IMC


01323 : IMC de 1/2 po à 2 po

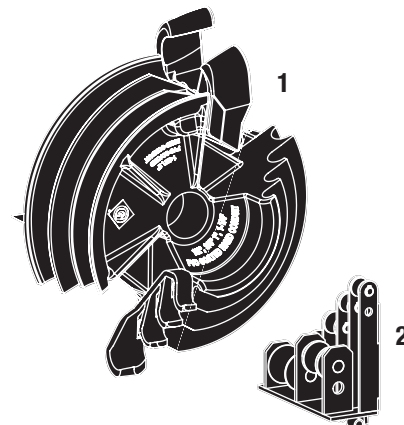
Numéro	N° CUP 78-3310-	Description
1	01323	Ensemble de supports de galet

Remarque : Le groupe de sabots rigides/IMC 02548 est nécessaire pour utiliser le support de galet 01323 sur la cintreuse 555C.

SABOT UNIQUE EMT


23803 : EMT de 1/2 po à 2 po

Numéro	N° CUP 78-3310-	Description
1	02543	Sabots de cintrage pour 1/2 po à 2 po
2	02544	Ensemble de supports de galet pour 1/2 po à 2 po
	23818	Caisse de rangement

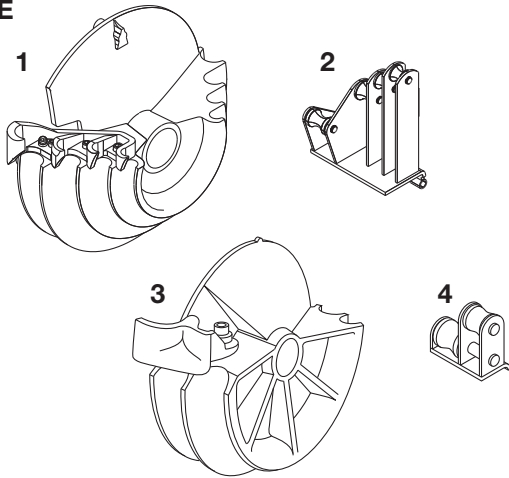
SABOT UNIQUE RIGIDE À REVÊTEMENT PVC


12586 : Rigide 40 Mil à revêtement en PVC de 1/2 po à 2 po

Numéro	N° CUP 78-3310-	Description
1	02553	Sabots de cintrage pour 1/2 po à 2 po
2	02554	Ensemble de supports de galet pour 1/2 po à 2 po
	23818	Caisse de rangement

Groupes d'accessoires de cintrage (suite)

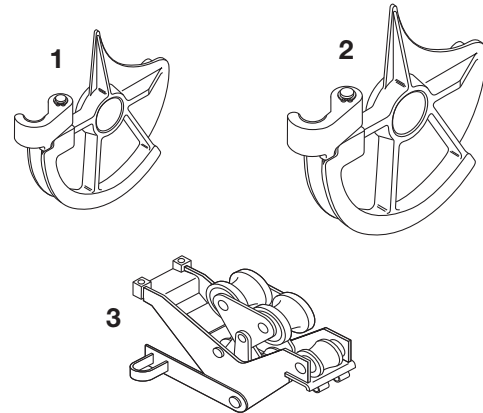
RIGIDE



**28007 : IMC de 1/2 po à 1-1/4 po
pour acier rigide de 1/2 po à 2 po
pour tuyau de nomenclature 40 de 1/2 po à 2 po**

Numéro	N° CUP 78-3310-	Description
1	00571	Sabots de cintrage pour 1/2 po à 1-1/4 po
2	00936	Ensemble de supports de galet pour 1/2 po à 1-1/4 po
3	17937	Sabots de cintrage pour 1-1/2 po à 2 po
4	17984	Ensemble de supports de galet pour 1-1/2 po à 2 po

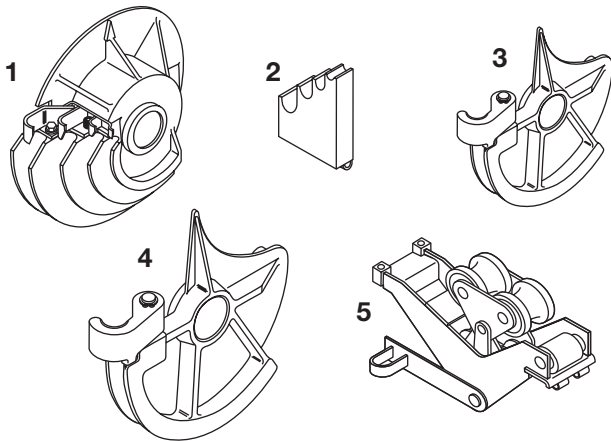
IMC



26330 : IMC de 1-1/2 po à 2 po

Numéro	N° CUP 78-3310-	Description
1	25263	Sabots de cintrage pour 1-1/2 po
2	25268	Sabots de cintrage pour 2 po
3	25273	Ensemble de supports de galet pour 1-1/2 po à 2 po
	23818	Caisse de rangement

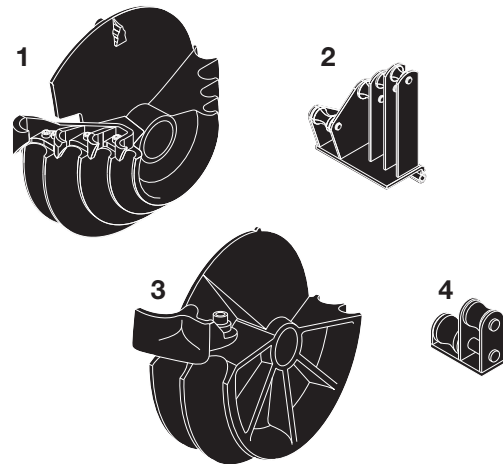
EMT



23802 : EMT de 1/2 po à 2 po

Numéro	N° CUP 78-3310-	Description
1	17944	Sabots de cintrage pour 1/2 po à 1-1/4 po
2	17986	Ensemble de supports de galet pour 1/2 po à 1-1/4 po
3	23499	Sabots de cintrage pour 1-1/2 po
4	23505	Sabots de cintrage pour 2 po
5	23541	Ensemble de supports de galet pour 1-1/2 po à 2 po
	23818	Caisse de rangement

RIGIDE À REVÊTEMENT PVC



37279 : Rigide 40 Mil à revêtement PVC de 1-1/2 po à 2 po

Numéro	N° CUP 78-3310-	Description
1	00573	Sabots de cintrage pour 1/2 po à 1-1/4 po
2	00946	Ensemble de supports de galet pour 1/2 po à 1-1/4 po
3	37281	Sabots de cintrage pour 1-1/2 po à 2 po
4	37282	Ensemble de supports de galet pour 1-1/2 po à 2 po
	23818	Caisse de rangement

Mise en service**⚠ AVERTISSEMENT**

Veiller à porter des lunettes de protection lors de l'utilisation ou de l'entretien de cet outil.

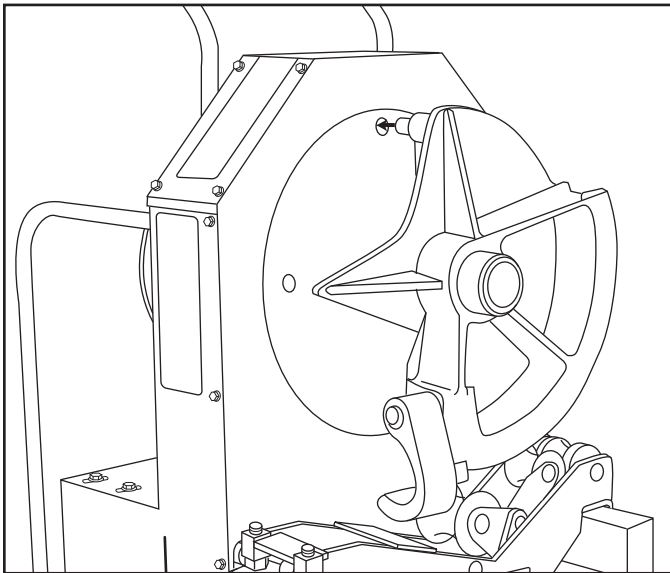
L'absence de protection oculaire peut entraîner des lésions oculaires graves causées par des projections de débris.

⚠ AVERTISSEMENT

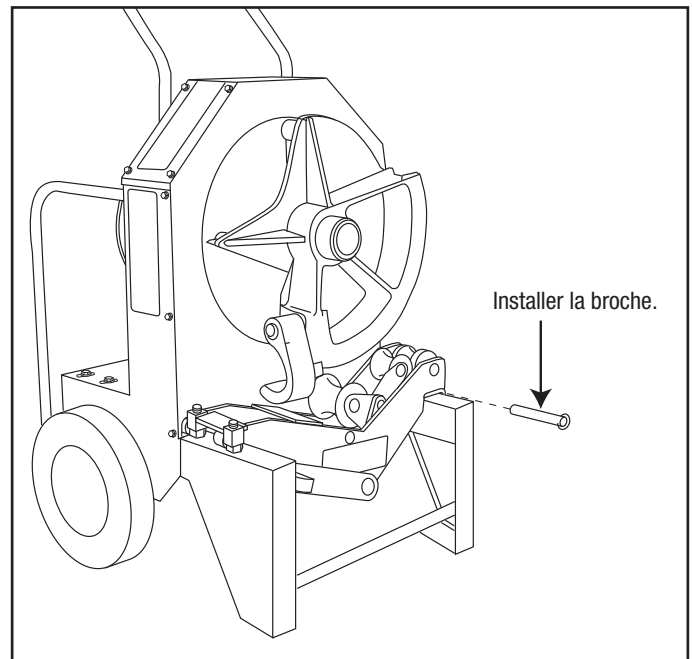
Débrancher la cintreuse avant de changer d'accessoires. Le démarrage accidentel pourrait entraîner des blessures graves.

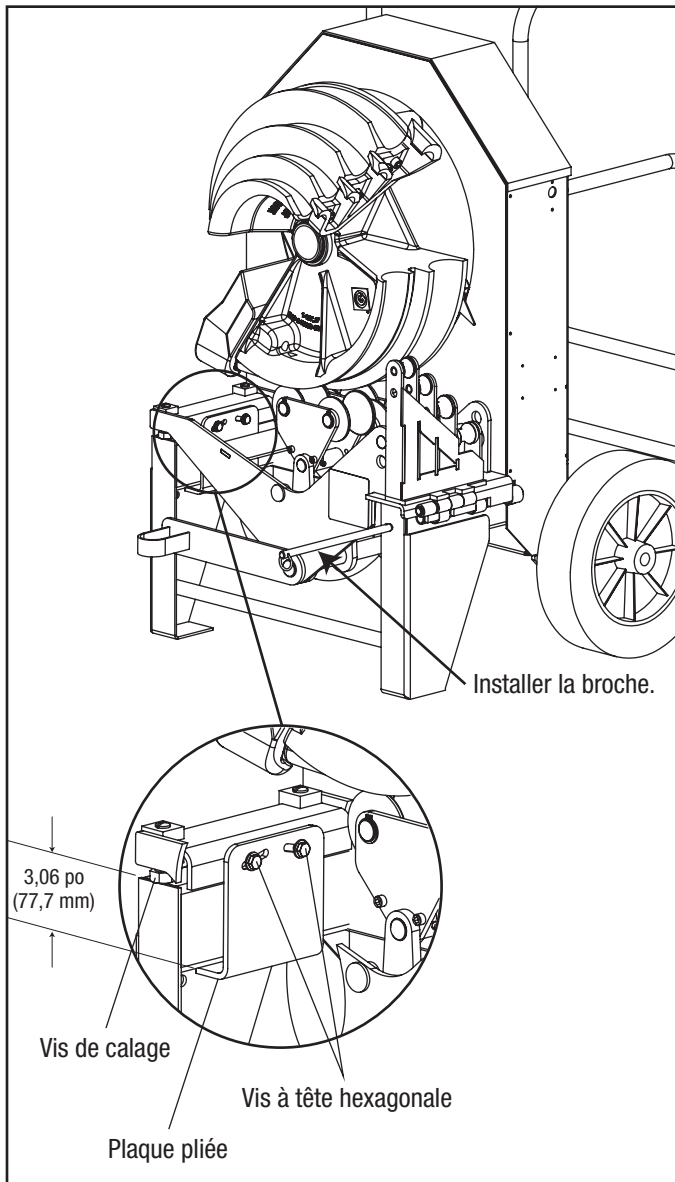
1. Enfiler le sabot de cintrage qui convient sur le pignon principal comme illustré. Aligner les quatre goujons d'entraînement à l'arrière du sabot sur les quatre trous du pignon.

Remarque : Les sabots de cintrage à gorge simple EMT et IMC de 1-1/2 po et de 2 po n'ont que trois goujons d'entraînement.

**Installation d'un sabot de cintrage**

2. Monter le support de galet qui convient sur le pied de la cintreuse et installer l'axe de charnière, comme illustré.

**Supports de galet installés**

Mise en service (suite)


**Ensemble de supports de galet
du sabot unique IMC installé**

Remarque : Le support de galet du sabot unique IMC est une plaque pliée qui peut nécessiter un réglage pour s'adapter correctement autour du pied de la cintreuse. Vérifier que la plaque pliée est à 77,7 mm (3,06 po) sous les vis de niveau. Le cas échéant, desserrer les deux vis à tête hexagonale et régler la distance. Resserrer les vis.

3. Marquer le conduit. Voir les décalques sur la cintreuse ou la rubrique « Instructions de cintrage supplémentaires » de ce manuel.
4. Placer la cintreuse en position de cintrage verticale ou horizontale.

Utilisation

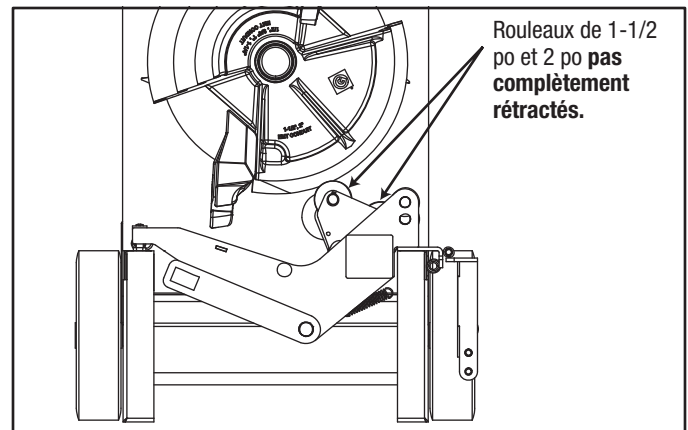
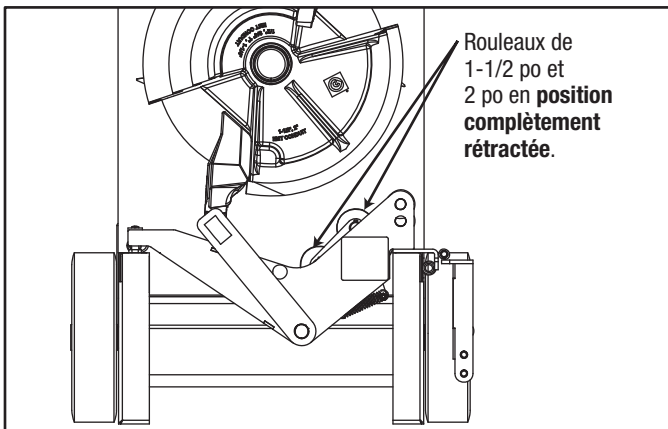
	⚠ AVERTISSEMENT
	<p>Veiller à porter des lunettes de protection lors de l'utilisation ou de l'entretien de cet outil.</p> <p>L'absence de protection oculaire peut entraîner des lésions oculaires graves causées par des projections de débris.</p>

	⚠ AVERTISSEMENT
	<p>Points de pincement :</p> <p>Tenir les mains à l'écart du sabot de cintrage, des galets et du conduit lors que la cintreuse est en cours d'utilisation.</p> <p>Le non-respect de cette mise en garde peut entraîner des blessures graves, voire mortelles.</p>

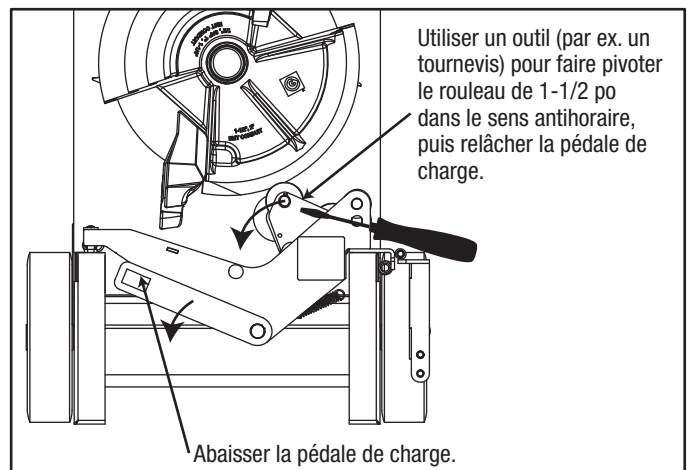
⚠ AVERTISSEMENT
<p>Ne pas utiliser la cintreuse si vous portez des vêtements amples. Les vêtements amples peuvent être pris dans les pièces mobiles.</p> <p>Le non-respect de cette mise en garde peut entraîner des blessures graves, voire mortelles.</p>

RÉTRACTER LES ENSEMBLES DE GALETS DE 1-1/2 PO ET DE 2 PO

Remarque : L'unité de pont EMT 02544 et l'unité 01323 IMC/ pont rigide sont à ressort pour être correctement en prise dans les ensembles de galets de 1-1/2 po et de 2 po lorsque la pédale de charge est enfoncée. Avant de charger le conduit ou de faire tourner le crochet du sabot devant des galets, vérifier que les ensembles de galets de 1-1/2 po et de 2 po sont en position complètement rétractée, comme illustré.



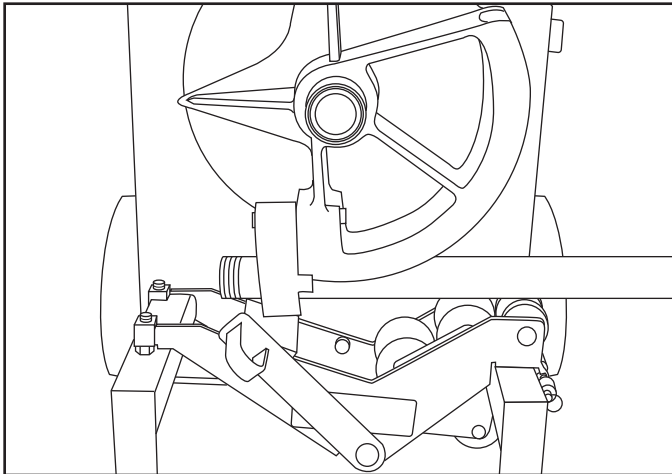
Pour rétracter complètement les galets, relâcher la pédale de charge jusqu'à ce que le bras entre en contact avec l'arrêt et retirer votre pied de la pédale de charge. Les ensembles de galets de 1-1/2 po et de 2 po doivent passer en position complètement rétractée. Si ce n'est pas le cas, appuyer légèrement d'une main sur la pédale de charge et utiliser un outil (par exemple, un tournevis) pour régler le galet de sorte que les deux galets tournent dans le sens anti-horaire jusqu'à la position rétractée. L'utilisation d'un outil pour régler le galet permet de tenir les mains et les doigts à l'écart de tout point de pincement potentiel.



Utilisation (suite)

CONDUIT DE CINTRAGE

1. Brancher le cordon dans une prise qui convient. Voir « Instructions de mise à la terre ».
2. Appuyer sur BEND (COUDE) ou UNLOAD (DÉCHARGER) jusqu'à ce que le sabot soit placé de 5° à 10° avant le point de départ 0°.
3. Charger le conduit de sorte que le repère de cintrage soit aligné sur le bord avant du crochet du sabot, comme illustré.



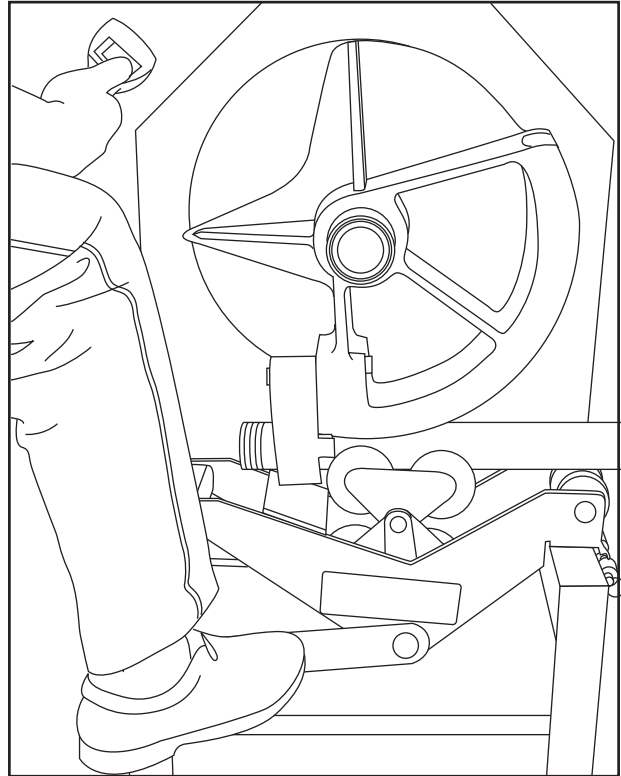
Chargement du conduit

4. Voir l'autocollant des instructions pour déterminer l'angle de cintrage qui convient.

5. Cintrer le conduit :

Pour les conduits IMC et EMT de 1-1/2 po et de 2 po :

- a. Placer un pied sur la pédale de charge, comme illustré.



Entrée en prise de la pédale de charge (pour les IMC et EMT de 1-1/2 po et de 2 po uniquement)

- b. Appuyez longuement sur BEND (COUDE). La cintreuse déploie le support de galet. Lorsque le support de galet atteint la butée, retirer votre pied de la pédale de charge.
- c. Relâcher l'interrupteur à l'approche de l'angle de cintrage souhaité.
- d. Appuyer brièvement sur BEND (COUDE) jusqu'à ce que le cintrage soit terminé.

En cas de cintrage d'une autre taille ou d'un autre type de conduit :

- a. Appuyez longuement sur BEND (COUDE).
 - b. Relâcher l'interrupteur à l'approche de l'angle de cintrage souhaité.
 - c. Appuyer brièvement sur BEND (COUDE) jusqu'à ce que le cintrage soit terminé.
6. Appuyer sur UNLOAD (DÉCHARGER). Le sabot tourne vers l'arrière.
Remarque : En cas de cintrage de l'EMT ou de l'IMC, les supports de galet reprennent leur position d'origine.
 7. Faire tourner le conduit pour le libérer du crochet. Retirer le conduit.
 8. Appuyez longuement sur UNLOAD (DÉCHARGER) jusqu'à ce que le sabot soit retourné à 0°.

Utilisation (suite)

RÉGLAGE DE LA PRESSION

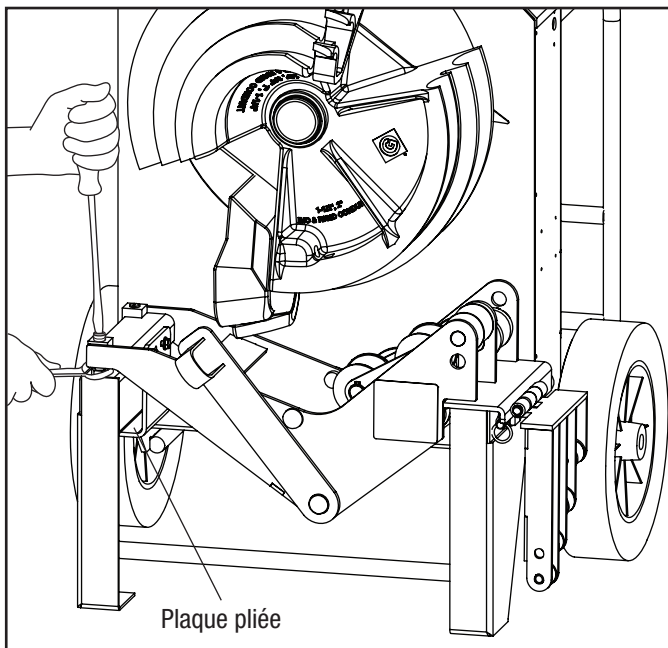
Lors du cintrage d'EMT et d'IMC de 1-1/2 po et de 2 po, le support de galet doit être en prise de sorte qu'il vienne en contact avec le conduit; la pression contre le conduit est la « squeeze ».

En raison des variations de conduit, le réglage standard peut exercer une pression trop élevée ou trop basse. Si le conduit développe un marquage latéral excessif lorsqu'il est plié, la pression est trop élevée. Si le conduit devient bien trop ovale ou froissé, la pression est trop basse.

1. Utiliser un tournevis pour desserrer les vis de retenue du réglage de pression.
2. Utiliser une clé pour faire pivoter les deux boulons de réglage de 1/2 tour dans le sens horaire pour AUGMENTER la pression ou de 1/2 tour dans le sens anti-horaire pour RÉDUIRE la pression.

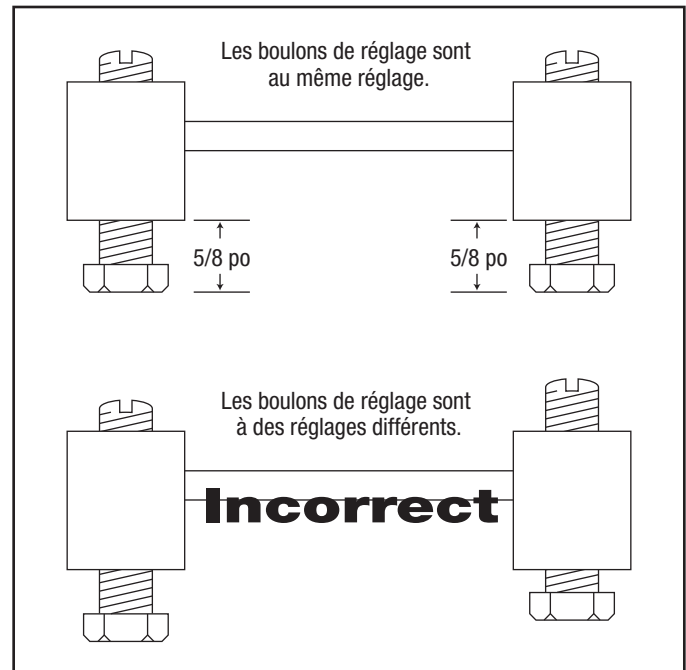
Remarque : Pour répartir la charge de manière identique, régler les deux boulons de la même manière. Voir l'illustration.

3. Resserrer les vis de retenue du réglage de pression.



Réglage de la pression

Remarque : Le support de galet du sabot unique IMC est une plaque pliée qui peut nécessiter un réglage pour permettre d'exercer davantage de pression. Se reporter aux procédures de réglage de la plaque pliée dans la rubrique « Mise en service ».

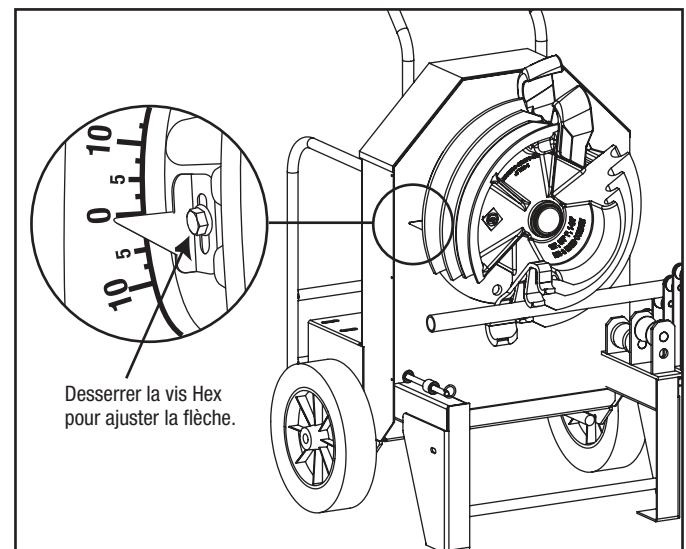


Réglage de pression standard

RÉGLAGE DES FLÈCHES

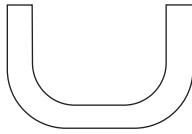
Les flèches sur les sabots uniques peuvent être ajustées pour compenser les variations dans les conduits.

1. Charger le conduit dans la gorge du sabot qui convient.
2. Appuyer brièvement sur BEND (COUDE) jusqu'à ce que le sabot pivote suffisamment pour serrer le conduit dans le crochet.
3. Vérifier que la position de la flèche est alignée sur la graduation 0° du rapporteur avant. Le cas échéant, desserrer la vis à tête hexagonale et ajuster la flèche pour l'aligner sur 0°. Resserrer la vis à tête hexagonale, comme illustré.



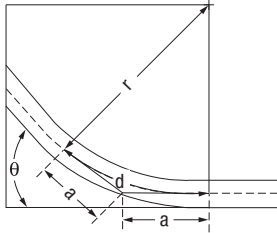
Desserrer la vis Hex pour ajuster la flèche.

Glossaire de cintrage illustré



Cintrage dos-à-dos — tout cintrage en forme de U constitué de deux coudes de 90° parallèles avec une portion droite de conduit ou de tuyau entre les coudes.

Distance centre à centre — distance entre deux coudes successifs formant un décalage ou un dos d'âne à trois coudes.

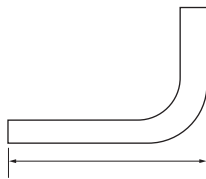


Longueur développée — longueur de tuyau qui sera cintré; Voir à la distance « d » dans l'illustration de gauche.

Gain — différence entre la distance en ligne droite ($a + a$) et la distance radiale plus courte (d), où :

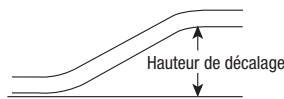
θ = angle de cintrage

r = rayon de courbure sur la fibre neutre du sabot de cintrage



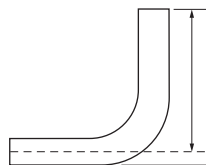
Coude — cintrage unique de moins de 90°

Longueur de branche — distance entre l'extrémité d'une portion droite d'un conduit ou d'un tuyau et le cintrage; mesurée à partir de l'extrémité au bord extérieur du conduit ou du tuyau.



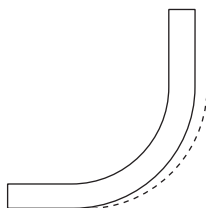
Décalage — deux cintrages opposés d'angles égaux; est utilisé pour éviter un obstacle.

Hauteur de décalage — distance entre les deux branches d'un cintrage en décalage, mesurée perpendiculairement aux deux branches; également appelée quantité de décalage ou hauteur de décalage.



Élévation — distance entre l'extrémité d'une portion droite d'un conduit ou tuyau et le cintrage; mesurée de l'extrémité à la fibre neutre du conduit ou du tuyau. Également appelée colonne ou colonne montante.

Dos d'âne — combinaison de trois ou quatre coudes; s'utilise pour éviter un obstacle.



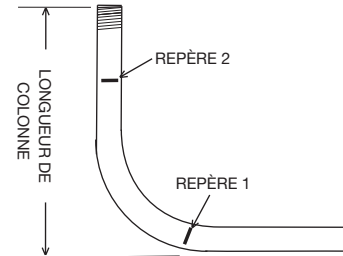
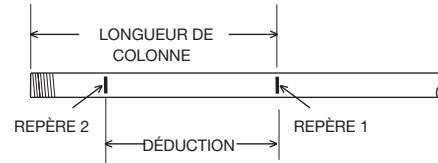
Retrait — quantité de conduit « perdue » par la formation d'un décalage pour éviter un obstacle.

Retour élastique — exprimé en degrés, mesure dans laquelle un conduit ou tuyau tend à se redresser après le cintrage.

Instructions de cintrage

COLONNES À 90°

- Mesure la longueur de colonne montante requise.
- Voir la formule de la longueur de colonne minimale dans le Tableau de déduction. La colonne requise doit être de longueur égale ou supérieure à la longueur de colonne minimale.
- Mesurer et marquer la longueur de colonne sur le conduit. C'est le repère 1. Retrancher la déduction de cette longueur et faire un nouveau marquage du conduit. C'est le repère 2.
- Aligner le repère 2 avec le bord avant du crochet et cintrer le conduit.



Remarques :

Lorsque l'opérateur appuie sur UNLOAD (DÉCHARGER), le conduit peut subir un retour élastique de quelques degrés. Pour compenser, effectuer un cintrage additionnel comme indiqué dans le Tableau de lecture d'échelle.

Les sabots des groupes 28007 et 37279 peuvent effectuer un cintrage à 180° en une seule fois. Tous les autres sabots effectuent des cintrages de 90° maximum.

Tableau de déduction

TAILLE		1/2	3/4	1	1-1/4	1-1/2	2
DÉDUCTION	RIGIDE/PVC	7-1/2	9	11	14	14-1/4	16-1/8
	EMT	7	8-7/8	10-3/4	13-1/8	13-7/8	15-3/8
	IMC	7-1/2	9	11	14	13-3/4	15-1/4
LONGUEUR DE COLONNE MINIMALE = DÉDUIRE 2 POUCES EN PLUS							

Les valeurs sont approximatives.

Tableau de lecture d'échelle

TAILLE DU CONDUIT	RIGIDE					EMT					IMC					À REVÊTEMENT PVC				
	15°	30°	45°	60°	90°	15°	30°	45°	60°	90°	15°	30°	45°	60°	90°	15°	30°	45°	60°	90°
1/2	18-3/4	35	50	66-1/4	96-1/4	16-1/4	32-1/2	47-1/2	63-3/4	95	20	36-1/4	51-1/4	67-1/2	98-3/4	17-1/2	33-3/4	48-3/4	65	95
3/4	17-1/2	32-1/2	47-1/2	63-3/4	95	17-1/2	33-3/4	48-3/4	63-3/4	95	20	36-1/4	51-1/4	67-1/2	97-1/2	17-1/2	33-3/4	48-3/4	63-3/4	95
1	17-1/2	33-3/4	48-3/4	65	95	17-1/2	32-1/2	48-3/4	65	95	21-1/4	36-1/4	51-1/4	66-1/4	97-1/2	17-1/2	32-1/2	47-1/2	63-3/4	95
1-1/4	18-3/4	33-3/4	48-3/4	63-3/4	95	17-1/2	33-3/4	48-3/4	65	95	18-3/4	33-3/4	50	65	96-1/4	18-3/4	33-3/4	50	65	95
1-1/2	18-3/4	33-3/4	48-3/4	65	95	16-1/4	31-1/4	46-1/4	61-1/4	92-1/2	17-1/2	33-3/4	48-3/4	63-3/4	95	18-3/4	33-3/4	48-3/4	65	95
2	20	35	48-3/4	63-3/4	96-1/4	17-1/2	33-3/4	48-3/4	63-3/4	95	20	35	50	65	96-1/4	20	35	48-3/4	63-3/4	96-1/4

Les valeurs sont approximatives.

Tableau de lecture de l'échelle – Groupes de sabots uniques

TAILLE DU CONDUIT	RIGIDE					EMT					IMC					À REVÊTEMENT PVC				
	15°	30°	45°	60°	90°	15°	30°	45°	60°	90°	15°	30°	45°	60°	90°	15°	30°	45°	60°	90°
1/2	17	33	49	64	96	16	32	48	63	95	20	36	51	67	98	16	31	47	62	93
3/4	17	33	48	64	95	17	33	48	64	95	19	35	50	66	97	15	31	46	62	93
1	17	32	48	63	94	17	32	48	63	94	19	35	50	66	97	16	32	47	63	94
1-1/4	17	32	48	63	94	17	32	48	63	94	19	35	50	66	97	15	30	46	61	92
1-1/2	17	32	48	63	94	19	35	50	66	97	17	33	49	64	96	18	33	49	64	95
2	17	32	48	63	94	19	34	50	65	96	19	34	50	65	96	19	34	50	65	96

Les valeurs sont approximatives. Remarque : En raison des diverses propriétés des matériaux de conduit, les tubes rigides en aluminium de 1-1/2 po et de 2 po peuvent nécessiter des galets presseurs IMC pour le cintrage. S'il se produit un aplatissement, réduire le réglage de pression de deux positions et suivre les procédures de cintrage d'IMC.

Instructions de cintrage (suite)

Décalages

- Mesurer la hauteur et la longueur de l'obstacle. Sélectionner l'angle à utiliser.
- Voir le tableau de décalage. La hauteur de l'obstacle doit être égale ou supérieure au décalage minimal.
- Consulter le Tableau X pour trouver la dimension X. Consulter le Tableau de décalage pour trouver la distance centre à centre.

Si la distance centre à centre n'est pas indiquée, la calculer à l'aide des coefficients multiplicateurs indiqués dans le Tableau de décalage.

- Marquer le conduit comme sur l'illustration.
- Enfiler le conduit dans la cintreuse. Aligner le repère 1 avec le bord avant du crochet et cintrer le conduit.
- Aligner le repère 2 avec le bord avant du crochet. Sans sortir le conduit de la cintreuse, le faire pivoter de 180°. Effectuer le deuxième cintrage.

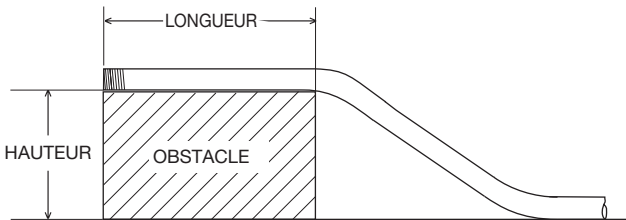
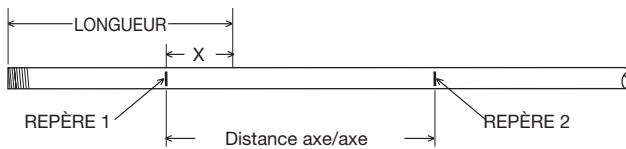


Tableau de décalage

COMPENSER ▶		2	4	6	8	10
15°	Max. Taille de conduit	3/4	1-1/2	2		
	Centre à centre	7-3/4	15-7/16	23-3/16	30-15/16	38-5/8
30°	Max. Taille de conduit		3/4	1	1-1/2	2
	Centre à centre		8	12	16	20
45°	Max. Taille de conduit			1/2	1	1-1/4
	Centre à centre			8-1/2	11-5/16	14-1/8

DÉCALAGE ▶		12	14	16	18	20	22
15°	Max. Taille de conduit	2					
	Centre à centre	46-3/8	54-1/16	61-13/16	69-9/16	77-1/4	85
30°	Max. Taille de conduit	2					
	Centre à centre	24	28	32	36	40	44
45°	Max. Taille de conduit	1-1/2	2				
	Centre à centre	16-15/16	19-13/16	22-5/8	25-7/16	28-1/4	31-1/8

DISTANCE CENTRE À CENTRE = HAUTEUR DE DÉCALAGE x COEFFICIENT

ANGLE DE DÉCALAGE	10°	15°	22-1/2°	30°	45°
COEFFICIENT	5,8	3,9	2,6	2,0	1,4

Les valeurs sont approximatives

Tableau X

TAILLE DU CONDUIT	1/2	3/4	1	1-1/4	1-1/2	2
« X »	3-1/16	3-1/16	3-3/16	4	4-1/4	4-1/2

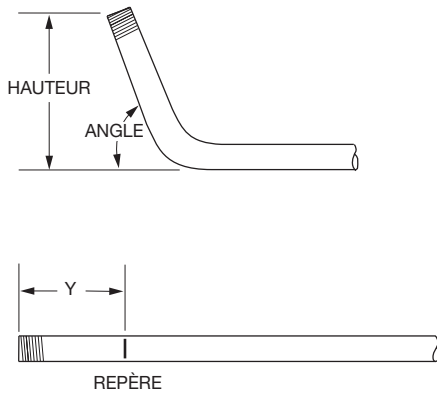
Les valeurs sont approximatives

Instructions de cintrage supplémentaires

Les dessins et tableaux de cintrage qui suivent ont pour objet de fournir les renseignements nécessaires pour la réalisation des types de cintrage les plus courants. Les tableaux de cintrage contiennent des informations sur le marquage des conduits.

COLONNES

1. Sélectionner la taille et le type de conduit. Déterminer la hauteur de la colonne et l'angle à utiliser.
2. Se reporter au tableau qui correspond à la taille et au type de conduit sélectionnés à l'étape 1.
3. Dans la colonne désignée ANGLE, trouver l'angle qui convient.
4. Se reporter à la ligne marquée Y. Dans la ligne d'en-tête de la table, trouver la hauteur (H) de la colonne. La valeur indiquée à l'intersection de la ligne Y et de la colonne H est la distance Y. Tracer le repère de cintrage à Y pouces de l'extrémité du conduit.
5. Cintrer le conduit.



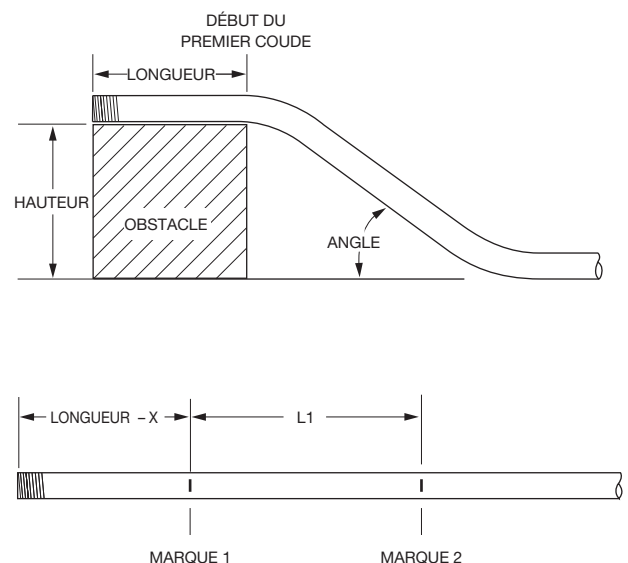
DÉCALAGES

Un décalage sert à faire passer le conduit autour d'un obstacle. Pour réaliser un décalage, deux cintrages égaux sont requis. La distance entre les deux coudes est la distance centre à centre.

Pour réaliser un décalage après l'obstacle, il est nécessaire de déterminer l'emplacement du premier coude. La distance centre à centre est ensuite utilisée pour déterminer l'emplacement du deuxième coude. Pour réaliser un décalage avant l'obstacle, il est nécessaire de déterminer l'emplacement du deuxième coude. La distance centre à centre est ensuite utilisée pour déterminer l'emplacement du premier coude.

Réalisation après un obstacle

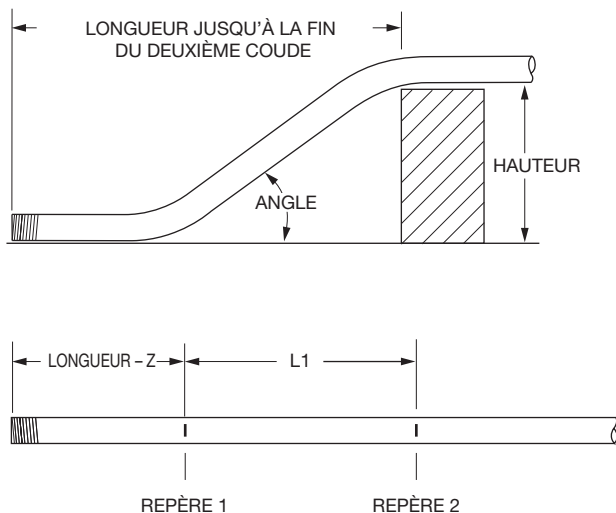
1. Sélectionner la taille et le type de conduit. Mesurer la hauteur de l'obstacle et la distance désignée LONGUEUR. Déterminer l'angle à utiliser.
2. Se reporter au tableau qui correspond à la taille et au type de conduit sélectionnés à l'étape 1.
3. À droite de la taille et du type de conduit, trouver la dimension X. Retrancher X de la LONGUEUR. Placer le premier repère de cintrage à cette distance par rapport à l'extrémité du conduit.
4. Dans la colonne désignée ANGLE, trouver l'angle qui convient. Se reporter à la ligne marquée L1. Dans la ligne en haut de la page, trouver la hauteur (H) du décalage. La valeur indiquée à l'intersection de la ligne L1 et de la colonne H est la valeur L1. Placer le deuxième repère de cintrage à L1 pouces du premier repère de cintrage.
5. Cintrer le conduit.



Instructions de cintrage supplémentaires (suite)

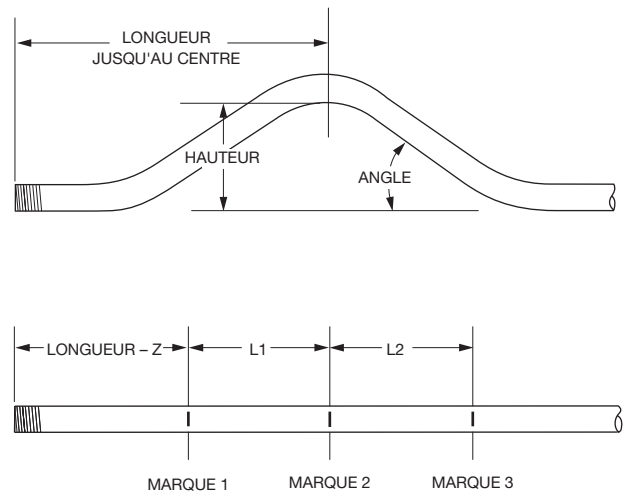
Réalisation avant un obstacle

1. Sélectionner la taille et le type de conduit. Mesurer la hauteur de l'obstacle et la distance LONGUEUR JUSQU'À LA FIN DU DEUXIÈME COUDE. Déterminer l'angle à utiliser.
2. Se reporter au tableau qui correspond à la taille et au type de conduit sélectionnés à l'étape 1.
3. Dans la colonne désignée ANGLE, trouver l'angle qui convient. Se reporter à la ligne marquée Z. Dans la ligne d'en-tête de la table, trouver la hauteur (H) du décalage. La valeur indiquée à l'intersection de la ligne Z et de la colonne H est la valeur Z. Soustraire Z de la LONGUEUR JUSQU'À LA FIN DU DEUXIÈME COUDE. Placer le premier repère de cintrage à cette distance par rapport à l'extrémité du conduit.
4. Dans la même colonne, se reporter à la ligne marquée L1. Placer le deuxième repère de cintrage à L1 pouces du premier repère de cintrage.
5. Cintrer le conduit.



DOS D'ÂNE À TROIS COUDES

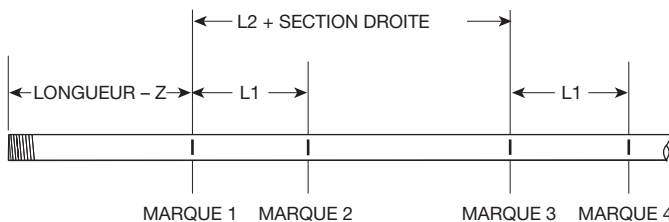
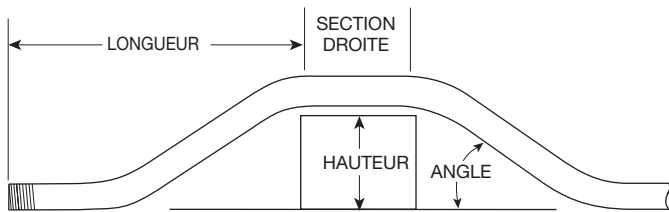
1. Sélectionner la taille et le type de conduit. Mesurer la hauteur de l'obstacle et la distance de l'extrémité du conduit au centre (LONGUEUR JUSQU'AU CENTRE) du coude. Déterminer l'angle à utiliser.
2. Se reporter au tableau qui correspond à la taille et au type de conduit sélectionnés à l'étape 1.
3. Dans la colonne désignée ANGLE, trouver l'angle qui convient. Se reporter à la ligne marquée Z. Dans la ligne d'en-tête de la table, trouver la hauteur (H) du décalage. La valeur indiquée à l'intersection de la ligne Z et de la colonne H correcte est la valeur Z. Soustraire Z de la LONGUEUR JUSQU'AU CENTRE. Placer le premier repère de cintrage à cette distance par rapport à l'extrémité du conduit.
4. Dans la même colonne, se reporter à la ligne marquée L1. Placer le deuxième repère de cintrage à L1 pouces du premier repère de cintrage.
5. Dans la même colonne, se reporter à la ligne marquée L2. Placer le troisième repère de cintrage à L2 pouces du deuxième repère de cintrage.
6. Cintrer le conduit.



Instructions de cintrage supplémentaires (suite)

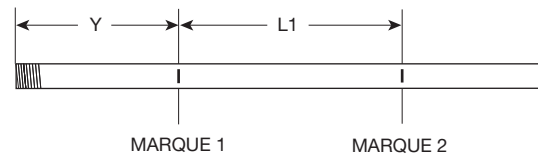
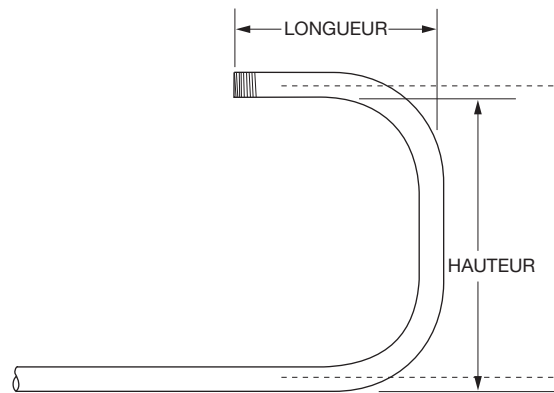
DOS D'ÂNE À QUATRE COUDES

1. Sélectionner la taille et le type de conduit. Mesurer la hauteur de l'obstacle, la distance désignée LONGUEUR et la distance désignée SECTION DROITE. Déterminer l'angle à utiliser.
2. Se reporter au tableau qui correspond à la taille et au type de conduit sélectionnés à l'étape 1.
3. Dans la colonne désignée ANGLE, trouver l'angle qui convient. Se reporter à la ligne marquée Z. Dans la ligne d'en-tête de la table, trouver la hauteur (H) du décalage. La valeur indiquée à l'intersection de la ligne Z et de la colonne H correcte est la valeur Z. Soustraire Z de la LONGUEUR. Placer le premier repère de cintrage à cette distance par rapport à l'extrémité du conduit.
4. Dans la même colonne, se reporter à la ligne marquée L1. Placer le deuxième repère de cintrage à L1 pouces du premier repère de cintrage.
5. Dans la même colonne, se reporter à la ligne marquée L2. Ajouter L2 à la valeur SECTION DROITE. Placer le troisième repère de cintrage à cette distance par rapport au premier repère de cintrage.
6. Placer le dernier repère de cintrage à L1 pouces du troisième repère de cintrage.
7. Cintrer le conduit.



CINTRAGES EN U

1. Sélectionner la taille et le type de conduit. Déterminer la LONGUEUR et la HAUTEUR.
2. Se reporter au tableau qui correspond à la taille et au type de conduit sélectionnés à l'étape 1.
3. Sous la colonne désignée ANGLE, trouver 90°.
4. Se reporter à la ligne marquée Y. Dans la ligne d'en-tête de la table, trouver la hauteur (H) qui correspond à la LONGUEUR. La valeur indiquée à l'intersection de la ligne Y et de la colonne H souhaitée est la distance Y. Tracer le repère de cintrage à Y pouces de l'extrémité du conduit.
5. Se reporter à la ligne L1, puis se déplacer vers la droite jusqu'à la hauteur (H) qui correspond à la valeur HAUTEUR.
6. La valeur indiquée à l'intersection de la ligne L1 et de la colonne H correcte est la valeur L1. Placer le deuxième repère de cintrage à L1 pouces du premier repère.
7. Cintrer le conduit.



Tableaux de cintrage supplémentaires

	DIM.	ANGLE	2 po	4 po	6 po	8 po	10 po	12 po	15 po	18 po	24 po	36 po
EMT de 1/2 po												
	Y	15	3,74	11,47	19,20	26,92	34,65	42,38	53,97	65,56	88,74	135,11
	L1	15	7,72	15,45	23,18	30,90	38,63	46,36	57,95	69,54	92,72	139,09
	L2	15	8,94	16,66	24,39	32,12	39,84	47,57	59,16	70,75	93,94	140,30
	Z	15	10,70	18,16	25,62	33,09	40,55	48,02	59,21	70,41	92,80	137,59
H MINIMUM = 0,84												
	Y	22,5	1,37	6,60	11,82	17,05	22,28	27,50	35,34	43,18	58,86	90,22
	L1	22,5	5,20	10,43	15,65	20,88	26,11	31,33	39,17	47,01	62,69	94,05
	L2	22,5	7,02	12,25	17,48	22,70	27,93	33,16	41,00	48,83	64,51	95,87
	Z	22,5	8,68	13,51	18,34	23,17	28,00	32,83	40,07	47,31	61,80	90,77
H MINIMUM = 1,48												
	Y	30	0,04	4,04	8,04	12,04	16,04	20,04	26,04	32,04	44,04	68,04
	L1	30		7,94	11,94	15,94	19,94	23,94	29,94	35,94	47,94	71,94
	L2	30		10,37	14,37	18,37	22,37	26,37	32,37	38,37	50,37	74,37
	Z	30		11,42	14,89	18,35	21,82	25,28	30,48	35,67	46,07	66,85
H MINIMUM = 2,25												
	Y	45		1,23	4,05	6,88	9,71	12,54	16,78	21,02	29,51	46,48
	L1	45			8,29	11,11	13,94	16,77	21,01	25,26	33,74	50,71
	L2	45			11,93	14,76	17,59	20,42	24,66	28,90	37,39	54,36
	Z	45			11,85	13,85	15,85	17,85	20,85	23,85	29,85	41,85
H MINIMUM = 4,14												
	Y	60			1,83	4,14	6,45	8,76	12,22	15,69	22,62	36,47
	L1	60				8,74	11,05	13,36	16,82	20,29	27,21	41,07
	L2	60				13,60	15,91	18,22	21,68	25,14	32,07	45,93
	Z	60				11,99	13,14	14,30	16,03	17,76	21,22	28,15
H MINIMUM = 6,38												
	Y	90				1,00	3,00	5,00	8,00	11,00	17,00	29,00
	L1	90						10,01	13,01	16,01	22,01	34,01
	L2	90						17,30	20,30	23,30	29,30	41,30
	Z	90						11,29	11,29	11,29	11,29	11,29
H MINIMUM = 11,29												
EMT de 3/4 po												
	Y	15	2,35	10,07	17,80	25,53	33,26	40,98	52,58	64,17	87,35	133,71
	L1	15	7,72	15,45	23,17	30,90	38,63	46,36	57,95	69,54	92,72	139,08
	L2	15	9,17	16,90	24,62	32,35	40,08	47,81	59,40	70,99	94,17	140,54
	Z	15	11,79	19,26	26,72	34,19	41,65	49,11	60,31	71,51	93,90	138,68
H MINIMUM = 1,12												
	Y	22,5	0,05	5,28	10,50	15,73	20,95	26,18	34,02	41,86	57,54	88,90
	L1	22,5	5,20	10,42	15,65	20,88	26,10	31,33	39,17	47,01	62,69	94,04
	L2	22,5	7,37	12,60	17,83	23,05	28,28	33,50	41,34	49,18	64,86	96,22
	Z	22,5	9,90	14,73	19,56	24,39	29,22	34,04	41,29	48,53	63,02	91,99
H MINIMUM = 1,94												
	Y	30		2,72	6,72	10,72	14,72	18,72	24,72	30,72	42,72	66,72
	L1	30		7,93	11,93	15,93	19,93	23,93	29,93	35,93	47,93	71,93
	L2	30		10,83	14,83	18,83	22,83	26,83	32,83	38,83	50,83	74,83
	Z	30		12,77	16,23	19,70	23,16	26,62	31,82	37,02	47,41	68,19
H MINIMUM = 2,92												
	Y	45			2,67	5,50	8,33	11,15	15,40	19,64	28,12	45,09
	L1	45			8,25	11,08	13,90	16,73	20,97	25,22	33,70	50,67
	L2	45			12,60	15,43	18,25	21,08	25,33	29,57	38,05	55,02
	Z	45			13,46	15,46	17,46	19,46	22,46	25,46	31,46	43,46
H MINIMUM = 5,27												
	Y	60			0,33	2,64	4,95	7,26	10,72	14,18	21,11	34,97
	L1	60					10,95	13,26	16,72	20,19	27,12	40,97
	L2	60					16,75	19,06	22,53	25,99	32,92	46,78
	Z	60					15,04	16,20	17,93	19,66	23,12	30,05
H MINIMUM = 8,03												
	Y	90					1,13	3,13	6,13	9,13	15,13	27,13
	L1	90							*12,62	15,62	21,62	33,62
	L2	90							21,32	24,32	30,32	42,32
	Z	90							13,95	13,95	13,95	13,95
H MINIMUM = 13,95*												

*H MINIMUM sur les cintrages en U = 16,25 sur sabot unique EMT

Tableaux de cintrage supplémentaires (suite)

	DIM.	ANGLE	2 po	4 po	6 po	8 po	10 po	12 po	15 po	18 po	24 po	36 po
EMT de 1 po												
	Y	15	1,35	9,07	16,80	24,53	32,26	39,98	51,57	63,16	86,35	132,71
	L1	15	7,72	15,44	23,17	30,90	38,63	46,35	57,95	69,54	92,72	139,08
	L2	15	9,54	17,26	24,99	32,72	40,45	48,17	59,76	71,36	94,54	140,90
	Z	15	12,51	19,98	27,44	34,91	42,37	49,83	61,03	72,23	94,62	139,40
H MINIMUM = 1,31												
	Y	22,5		4,33	9,56	14,78	20,01	25,24	33,07	40,91	56,59	87,95
	L1	22,5		10,42	15,64	20,87	26,10	31,32	39,16	47,00	62,68	94,04
	L2	22,5		13,15	18,37	23,60	28,82	34,05	41,89	49,73	65,41	96,77
	Z	22,5		15,64	20,47	25,30	30,13	34,96	42,20	49,44	63,93	92,90
H MINIMUM = 2,29												
	Y	30		1,75	5,75	9,75	13,75	17,75	23,75	29,75	41,75	65,75
	L	30		7,91	11,91	15,91	19,91	23,91	29,91	35,91	47,91	71,91
	L2	30		11,55	15,55	19,55	23,55	27,55	33,55	39,55	51,55	75,55
	Z	30		13,87	17,34	20,80	24,27	27,73	32,92	28,12	48,51	69,30
H MINIMUM = 3,47												
	Y	45			1,56	4,39	7,22	10,05	14,29	18,53	27,02	43,99
	L1	45				11,01	13,84	16,67	20,91	25,16	33,64	50,61
	L2	45				16,47	19,30	22,13	26,37	30,62	39,10	56,07
	Z	45				16,98	18,98	20,98	23,98	26,98	32,98	44,98
H MINIMUM = 6,35												
	Y	60				1,33	3,64	5,95	9,42	12,88	19,81	33,67
	L1	60					10,80	13,11	16,57	20,04	26,97	40,82
	L2	60					18,08	20,39	23,85	27,32	34,24	48,10
	Z	60					17,02	18,17	19,91	21,64	25,10	32,03
H MINIMUM = 9,74												
	Y	90						1,25	4,25	7,25	13,25	25,25
	L1	90								15,02	21,02	33,02
	L2	90								25,93	31,93	43,93
	Z	90								17,12	17,12	17,12
H MINIMUM = 17,12												
EMT de 1-1/4 po												
	Y	15	0,26	7,99	15,72	23,45	31,17	38,90	50,49	62,08	85,27	131,63
	L1	15	7,71	15,44	23,17	30,90	38,62	46,35	57,94	69,53	92,72	139,08
	L2	15	10,07	17,80	25,52	33,25	40,98	48,71	60,30	71,89	95,07	141,44
	Z	15	13,20	20,66	28,12	35,59	43,05	50,52	61,71	72,91	95,30	140,09
H MINIMUM = 1,48												
	Y	22,5		3,33	8,55	13,78	19,01	24,23	32,07	39,91	55,59	86,95
	L1	22,5		10,41	15,63	20,86	26,09	31,31	39,15	46,99	62,67	94,03
	L2	22,5		13,94	19,17	24,40	29,62	34,85	42,69	50,53	66,21	97,56
	Z	22,5		16,60	21,43	26,26	31,09	35,91	43,16	50,40	64,89	93,86
H MINIMUM = 2,66												
	Y	30		0,72	4,72	8,72	12,72	16,72	22,72	28,72	40,72	64,72
	L1	30			11,89	15,89	19,89	23,89	29,89	35,89	47,89	71,89
	L2	30			16,61	20,61	24,61	28,61	34,61	40,61	52,61	76,61
	Z	30			18,58	22,04	25,51	28,97	34,17	39,37	49,76	70,54
H MINIMUM = 4,09												
	Y	45			0,33	3,15	5,98	8,81	13,05	17,30	25,78	42,75
	L1	45				10,93	13,75	16,58	20,83	25,07	33,55	50,52
	L2	45				18,00	20,83	23,66	27,90	32,14	40,63	57,60
	Z	45				18,82	20,82	22,82	25,82	28,82	34,82	46,82
H MINIMUM = 7,65												
	Y	60					2,11	4,42	7,89	11,35	18,28	32,14
	L1	60						12,89	16,35	19,82	26,74	40,60
	L2	60						22,32	25,79	29,25	36,18	50,04
	Z	60						20,69	22,42	24,16	27,62	34,55
H MINIMUM = 11,92												
	Y	90							1,88	4,88	10,88	22,88
	L1	90									20,13	32,13
	L2	90									34,29	46,29
	Z	90									21,38	21,38
H MINIMUM = 21,38												

Tableaux de cintrage supplémentaires (suite)

	DIM.	ANGLE	2 po	4 po	6 po	8 po	10 po	12 po	15 po	18 po	24 po	36 po
EMT de 1-1/2 po												
	Y	15		6,26	13,99	21,72	29,44	37,17	48,76	60,35	83,53	129,90
	L1	15	7,71	15,44	23,17	30,90	38,62	46,35	57,94	69,53	92,72	139,08
	L2	15	9,95	17,68	25,40	33,13	40,86	48,58	60,18	71,77	94,95	141,31
	Z	15	14,42	21,88	29,35	36,81	44,28	51,74	62,94	74,13	96,53	141,31
H MINIMUM = 1,81												
	Y	22,5		1,77	7,00	12,22	17,45	22,68	30,52	38,36	54,03	85,39
	L1	22,5		10,41	15,64	20,86	26,09	31,31	39,15	46,99	62,67	94,03
	L2	22,5		13,76	18,98	24,21	29,44	34,66	42,50	50,34	66,02	97,38
	Z	22,5		17,76	22,59	27,42	32,25	37,07	44,32	51,56	66,04	95,02
H MINIMUM = 3,11												
	Y	30			3,26	7,26	11,26	15,26	21,26	27,26	39,26	63,26
	L1	30			11,90	15,90	19,90	23,90	29,90	35,90	47,90	71,90
	L2	30			16,36	20,36	24,36	28,36	34,36	40,36	52,36	76,36
	Z	30			19,67	23,14	26,60	30,07	35,26	40,46	50,85	71,64
H MINIMUM = 4,64												
	Y	45				1,84	4,67	7,50	11,74	15,98	24,47	41,44
	L1	45					13,78	16,60	20,85	25,09	33,57	50,54
	L2	45					20,47	23,30	27,55	31,79	40,27	57,24
	Z	45					21,78	23,78	26,78	29,78	35,78	47,78
H MINIMUM = 8,33												
	Y	60					0,91	3,22	6,68	10,15	17,07	30,93
	L1	60							16,40	19,87	26,80	40,65
	L2	60							25,34	28,80	35,73	49,58
	Z	60							23,22	24,95	28,42	35,34
H MINIMUM = 12,61												
	Y	90							0,89	3,89	9,89	21,89
	L1	90									20,34	32,34
	L2	90									33,74	45,74
	Z	90									21,77	21,77
H MINIMUM = 21,77												
EMT de 2 po												
	Y	15		5,15	12,87	20,60	28,33	36,05	47,65	59,24	82,42	128,78
	L1	15	7,71	15,44	23,17	30,90	38,62	46,35	57,94	69,53	92,71	139,08
	L2	15	10,19	17,92	25,64	33,37	41,10	48,83	60,42	72,01	95,19	141,56
	Z	15	14,77	22,24	29,70	37,17	44,63	52,10	63,29	74,49	96,88	141,66
H MINIMUM = 1,89												
	Y	22,5		0,88	6,11	11,33	16,56	21,79	29,62	37,46	53,14	84,50
	L1	22,5		10,40	15,63	20,86	26,08	31,31	39,15	46,99	62,67	94,02
	L2	22,5		14,12	19,35	24,57	29,80	35,02	42,86	50,70	66,38	97,74
	Z	22,5		18,24	23,07	27,90	32,73	37,55	44,80	52,04	66,52	95,50
H MINIMUM = 3,28												
	Y	30			2,45	6,45	10,45	14,45	20,45	26,45	38,45	62,45
	L1	30			11,88	15,88	19,88	23,88	29,88	35,88	47,88	71,88
	L2	30			16,84	20,84	24,84	28,84	34,84	40,84	52,84	76,84
	Z	30			20,28	23,75	27,21	30,67	35,87	41,07	51,46	72,24
H MINIMUM = 4,94												
	Y	45				1,02	3,85	6,68	10,92	15,16	23,65	40,62
	L1	45					13,74	16,56	20,81	25,05	33,53	50,50
	L2	45					21,16	23,99	28,24	32,48	40,96	57,93
	Z	45					22,66	24,66	27,66	30,66	36,66	48,66
H MINIMUM = 8,95												
	Y	60					0,00	2,31	5,77	9,23	16,16	30,02
	L1	60							16,30	19,77	26,70	40,55
	L2	60							26,21	29,67	36,60	50,46
	Z	60							24,40	26,14	29,60	36,53
H MINIMUM = 13,63												
	Y	90								2,62	8,62	20,62
	L1	90									19,94	31,94
	L2	90									34,80	46,80
	Z	90									23,74	23,74
H MINIMUM = 23,74												

Tableaux de cintrage supplémentaires (suite)

	DIM.	ANGLE	2 po	4 po	6 po	8 po	10 po	12 po	15 po	18 po	24 po	36 po
IMC, Rigide et Rigide 40 Mil à revêtement PVC de 1/2 po												
	Y	15	3,03	10,76	18,48	26,21	33,94	41,67	53,26	64,85	88,03	134,39
	L1	15	7,72	15,45	23,18	30,90	38,63	46,36	57,95	69,54	92,72	139,09
	L2	15	8,87	16,59	24,32	32,05	39,78	47,50	59,10	70,69	93,87	140,23
	Z	15	11,12	18,58	26,05	33,51	40,97	48,44	59,63	70,83	93,22	138,01
H MINIMUM = 0,95												
	Y	22,5	0,77	5,98	11,21	16,44	21,66	26,89	34,73	42,57	58,25	89,60
	L1	22,5	5,20	10,43	15,66	20,88	26,11	31,34	39,17	47,01	62,69	94,05
	L2	22,5	6,92	12,15	17,38	22,60	27,83	33,06	40,89	48,73	64,41	95,77
	Z	22,5	9,07	13,90	18,73	23,56	28,38	33,21	40,46	47,70	62,18	91,15
H MINIMUM = 1,62												
	Y	30		3,49	7,49	11,49	15,49	19,49	25,49	31,49	43,49	67,49
	L1	30		7,95	11,95	15,95	19,95	23,95	29,95	35,95	47,95	71,95
	L2	30		10,24	14,24	18,24	22,24	26,24	32,24	38,24	50,24	74,24
	Z	30		11,78	15,24	18,70	22,17	25,63	30,83	36,02	46,42	67,20
H MINIMUM = 2,42												
	Y	45			3,59	6,41	9,23	12,06	16,30	20,55	29,03	46,00
	L1	45			8,30	11,13	13,95	16,78	21,02	25,27	33,75	50,72
	L2	45			11,74	14,57	17,39	20,22	24,46	28,71	37,19	54,16
	Z	45			12,13	14,13	16,13	18,13	21,13	24,13	30,13	42,13
H MINIMUM = 4,33												
	Y	60			1,42	3,73	6,04	8,34	11,81	15,27	22,20	36,06
	L1	60				8,77	11,08	13,39	16,85	20,31	27,24	41,10
	L2	60				13,35	15,66	17,97	21,44	24,90	31,83	45,69
	Z	60				12,18	13,33	14,49	16,22	17,95	21,41	28,34
H MINIMUM = 6,55												
	Y	90				0,71	2,71	4,71	7,71	10,71	16,70	28,70
	L1	90						10,12	13,12	16,12	22,12	34,12
	L2	90						17,00	20,00	23,00	29,00	41,00
	Z	90						11,26	11,26	11,26	11,26	11,26
H MINIMUM = 11,26												
IMC, Rigide et Rigide 40 Mil à revêtement PVC de 3/4 po												
	Y	15	1,86	9,58	17,31	25,04	32,77	40,49	52,08	63,68	86,86	133,22
	L1	15	7,72	15,45	23,17	30,90	38,63	46,36	57,95	69,54	92,72	139,08
	L2	15	9,19	16,91	24,64	32,37	40,09	47,82	59,41	71,00	94,19	140,55
	Z	15	12,06	19,53	26,89	34,46	41,92	49,38	60,58	71,78	94,17	138,95
H MINIMUM = 1,19												
	Y	22,5		4,85	10,08	15,31	20,53	25,76	33,60	41,44	57,12	88,47
	L1	22,5		10,42	15,65	20,88	26,10	31,33	39,17	47,01	62,69	94,04
	L2	22,5		12,62	17,85	23,08	28,30	33,53	41,37	49,21	64,89	96,24
	Z	22,5		15,01	19,84	24,67	29,49	34,32	41,57	48,81	63,29	92,26
H MINIMUM = 2,05												
	Y	30		2,33	6,33	10,33	14,33	18,33	24,33	30,33	42,33	66,33
	L1	30		7,93	11,93	15,93	19,93	23,93	29,93	35,93	47,93	71,93
	L2	30		10,86	14,86	18,86	22,86	26,86	32,86	38,86	50,86	74,86
	Z	30		13,05	16,52	19,98	23,45	26,91	32,11	37,30	47,70	68,48
H MINIMUM = 3,06												
	Y	45			2,31	5,13	7,96	10,79	15,03	19,28	27,76	44,73
	L1	45			8,24	11,07	13,90	16,73	20,97	25,21	33,70	50,67
	L2	45			12,64	15,47	18,30	21,13	25,37	29,61	38,10	55,07
	Z	45			13,76	15,76	17,76	19,76	22,76	25,76	31,76	43,76
H MINIMUM = 5,49												
	Y	60				2,28	4,59	6,90	10,36	13,83	20,75	34,61
	L1	60					10,94	13,25	16,72	20,18	27,11	40,97
	L2	60					16,81	19,12	22,58	26,05	32,98	46,83
	Z	60					15,36	16,52	18,25	19,88	23,45	30,38
H MINIMUM = 8,31												
	Y	90					0,76	2,76	5,76	8,76	14,76	26,76
	L1	90							*12,60	15,60	21,60	33,60
	L2	90							21,39	24,39	30,39	42,39
	Z	90							14,33	14,33	14,33	14,33
H MINIMUM = 14,33*												

*H MINIMUM sur les cintrages en U = 16,62 sur sabots uniques Rigides et Revêtement PVC

Tableaux de cintrage supplémentaires (suite)

	DIM.	ANGLE	2 po	4 po	6 po	8 po	10 po	12 po	15 po	18 po	24 po	36 po
IMC, Rigide et Rigide 40 Mil à revêtement PVC de 1 po												
	Y	15	1,08	8,81	16,52	24,25	31,97	39,70	51,29	62,88	86,07	132,43
	L1	15	7,72	15,44	23,17	30,90	38,63	46,35	57,94	69,54	92,72	139,08
	L2	15	9,59	17,32	25,04	32,77	40,50	48,23	59,82	71,41	94,59	140,95
	Z	15	12,53	20,00	27,46	34,93	42,39	49,86	61,05	72,25	94,64	139,43
H MINIMUM = 1,31												
	Y	22,5		4,13	9,35	14,58	19,81	25,03	32,87	40,71	56,39	87,75
	L1	22,5		10,42	15,64	20,87	26,09	31,32	39,16	47,00	62,68	94,04
	L2	22,5		13,22	18,45	23,68	28,90	34,13	41,97	49,81	65,49	96,84
	Z	22,5		15,69	20,52	25,35	30,18	35,01	42,25	49,49	63,98	92,95
H MINIMUM = 2,31												
	Y	30		1,58	5,58	9,58	13,58	17,58	23,58	29,58	41,58	65,58
	L1	30		7,91	11,91	15,91	19,91	23,91	29,91	35,91	47,91	71,91
	L2	30		11,66	15,66	19,66	23,66	27,66	33,66	39,66	51,66	75,66
	Z	30		13,95	17,41	20,88	24,34	27,81	33,00	38,20	48,59	69,38
H MINIMUM = 3,51												
	Y	45			1,42	4,24	7,06	9,89	14,14	18,38	26,86	43,83
	L1	45				11,01	13,83	16,66	20,91	25,15	33,63	50,60
	L2	45				16,62	19,45	22,28	26,52	30,76	39,25	56,22
	Z	45				17,11	19,11	21,11	24,11	27,11	33,11	45,11
H MINIMUM = 6,44												
	Y	60				1,17	3,48	5,79	9,25	12,71	19,64	33,49
	L1	60					10,78	13,09	16,55	20,02	26,94	40,80
	L2	60					18,27	20,58	24,04	27,50	34,43	48,29
	Z	60					17,22	18,37	20,11	21,84	25,30	32,23
H MINIMUM = 9,91												
	Y	90						1,01	4,01	7,01	13,01	25,01
	L1	90								14,93	20,93	32,93
	L2	90								26,16	32,16	44,16
	Z	90								17,49	17,49	17,49
H MINIMUM = 17,49												
IMC, Rigide et Rigide 40 Mil à revêtement PVC de 1-1/4 po												
	Y	15		7,15	14,87	22,60	30,33	38,06	49,65	61,24	84,42	130,78
	L1	15	7,71	15,44	23,17	30,90	38,62	46,35	57,94	69,53	92,72	139,08
	L2	15	10,07	17,80	25,53	33,25	40,98	48,71	60,30	71,89	95,07	141,44
	Z	15	13,77	21,24	28,70	36,17	43,63	51,09	62,29	73,49	95,88	140,66
H MINIMUM = 1,63												
	Y	22,5		2,57	7,80	13,02	18,25	23,47	31,31	39,15	54,83	86,19
	L1	22,5		10,41	15,63	20,86	26,09	31,31	39,15	46,99	62,67	94,03
	L2	22,5		13,94	19,17	24,40	29,62	34,85	42,69	50,53	66,21	97,56
	Z	22,5		17,18	22,01	26,84	31,66	36,49	43,73	50,98	65,46	94,43
H MINIMUM = 2,88												
	Y	30			4,00	8,00	12,00	16,00	22,00	28,00	40,00	64,00
	L1	30			11,89	15,89	19,89	23,89	29,89	35,89	47,89	71,89
	L2	30			16,61	20,61	24,61	28,61	34,61	40,61	52,61	76,61
	Z	30			19,16	22,62	26,09	29,55	34,75	39,94	50,33	71,12
H MINIMUM = 4,38												
	Y	45				2,48	5,31	8,14	12,38	16,62	25,11	42,08
	L1	45					13,75	16,58	20,83	25,07	33,55	50,52
	L2	45					20,83	23,66	27,90	32,14	40,63	57,60
	Z	45					21,40	23,40	26,40	29,40	35,40	47,40
H MINIMUM = 8,06												
	Y	60					1,46	3,77	7,23	10,69	17,62	31,48
	L1	60							16,35	19,82	26,74	40,60
	L2	60							25,79	29,25	36,18	50,04
	Z	60							23,00	24,73	28,20	35,13
H MINIMUM = 11,32												
	Y	90							1,23	4,23	10,23	22,23
	L1	90									20,13	32,13
	L2	90									34,29	46,29
	Z	90									21,96	21,96
H MINIMUM = 21,96												

Tableaux de cintrage supplémentaires (suite)

	DIM.	ANGLE	2 po	4 po	6 po	8 po	10 po	12 po	15 po	18 po	24 po	36 po
Rigide et Rigide 40 Mil à revêtement PVC de 1-1/2 po												
	Y	15		5,87	13,59	21,32	29,05	36,77	48,37	59,96	83,14	129,50
	L1	15	7,71	15,44	23,17	20,90	38,62	46,35	57,94	69,53	92,72	139,08
	L2	15	9,94	17,67	25,39	33,12	40,85	48,58	60,17	71,76	94,94	141,31
	Z	15	14,50	21,97	29,43	36,89	44,36	51,82	63,02	74,21	96,61	141,39
H MINIMUM = 1,82												
	Y	22,5		1,48	6,71	11,93	17,16	22,38	30,22	38,06	53,74	85,10
	L1	22,5		10,41	15,64	20,86	26,09	31,31	39,15	46,99	62,67	94,03
	L2	22,5		13,75	18,97	24,20	29,43	34,65	42,49	50,33	66,01	97,37
	Z	22,5		17,84	22,67	27,50	32,32	37,15	44,39	51,64	66,12	95,09
H MINIMUM = 3,13												
	Y	30			3,02	7,02	11,02	15,02	21,02	27,02	39,02	63,02
	L1	30			11,90	15,90	19,90	23,90	29,90	35,90	47,90	71,90
	L2	30			16,35	20,35	24,35	28,35	34,35	40,35	52,35	76,35
	Z	30			19,75	23,21	26,68	30,14	35,34	40,53	50,92	71,71
H MINIMUM = 4,68												
	Y	45				1,65	4,48	7,31	11,55	15,79	24,28	41,25
	L1	45					13,78	16,60	20,85	25,09	33,58	50,55
	L2	45					20,45	23,28	27,52	31,77	40,25	57,22
	Z	45					21,84	23,84	26,84	29,84	35,84	47,84
H MINIMUM = 8,37												
	Y	60					0,74	3,05	6,52	9,98	16,91	30,76
	L1	60							16,41	19,87	26,80	40,66
	L2	60							25,31	28,77	35,70	49,56
	Z	60							23,28	25,01	28,47	35,40
H MINIMUM = 12,66												
	Y	90							0,75	3,75	9,75	21,75
	L1	90									20,35	32,35
	L2	90									33,70	45,70
	Z	90									21,80	21,80
H MINIMUM = 21,80												
Rigide et Rigide 40 Mil à revêtement PVC de 2 po												
	Y	15		4,42	12,15	19,87	27,60	35,33	46,92	58,51	81,69	128,06
	L1	15	7,71	15,44	23,17	30,89	38,62	46,35	57,94	69,53	92,71	139,08
	L2	15	10,27	18,00	25,73	33,46	41,18	48,91	60,50	72,09	95,27	141,64
	Z	15	15,20	22,66	30,13	37,59	45,06	52,52	63,72	74,91	97,30	142,09
H MINIMUM = 2,00												
	Y	22,5		0,24	5,47	10,70	15,92	21,15	28,99	36,83	52,51	83,86
	L1	22,5		10,40	15,63	20,85	26,08	31,31	39,15	46,99	62,66	94,02
	L2	22,5		14,24	19,47	24,70	29,92	35,15	42,99	50,83	66,51	97,86
	Z	22,5		18,71	23,54	28,36	33,19	38,02	45,26	52,51	66,99	95,96
H MINIMUM = 3,47												
	Y	30			1,84	5,84	9,84	13,84	19,84	25,84	37,84	61,84
	L1	30			11,88	15,88	19,88	23,88	29,88	35,88	47,88	71,88
	L2	30			17,00	21,00	25,00	29,00	35,00	41,00	53,00	77,00
	Z	30			20,79	24,26	27,72	31,19	36,38	41,58	51,97	71,75
H MINIMUM = 5,20												
	Y	45				0,42	3,25	6,08	10,32	14,57	23,05	40,02
	L1	45					13,72	16,55	20,79	25,04	33,52	50,49
	L2	45					21,40	24,23	28,47	32,72	41,20	58,17
	Z	45					23,26	25,26	28,26	31,26	37,26	49,26
H MINIMUM = 9,38												
	Y	60						1,68	5,14	8,61	15,54	29,39
	L1	60							16,27	19,73	26,66	40,52
	L2	60							26,51	29,97	36,90	50,76
	Z	60							25,11	26,85	30,31	37,24
H MINIMUM = 14,25												
	Y	90								1,87	7,87	19,87
	L1	90										31,80
	L2	90										47,16
	Z	90										24,72
H MINIMUM = 24,72												

Tableaux de cintrage supplémentaires (suite)

	DIM.	ANGLE	2 po	4 po	6 po	8 po	10 po	12 po	15 po	18 po	24 po	36 po
IMC de 1-1/2 po												
	Y	15		6,41	14,14	21,87	29,60	37,32	48,91	60,51	83,69	130,05
	L1	15	7,71	15,44	23,17	30,90	38,62	46,35	57,94	69,53	92,72	139,00
	L2	15	9,95	17,68	25,40	33,13	40,86	48,58	60,18	71,77	94,94	141,31
	Z	15	13,99	21,45	28,92	36,38	43,85	51,31	62,51	73,70	96,10	140,88
H MINIMUM = 1,69												
	Y	22,5		2,02	7,24	12,47	17,69	22,92	30,76	38,60	54,28	85,64
	L1	22,5		10,41	15,64	20,86	26,09	31,31	39,15	46,99	62,67	94,03
	L2	22,5		13,76	18,98	24,21	29,44	34,66	42,50	50,34	66,02	97,38
	Z	22,5		17,33	22,16	26,99	31,82	36,64	43,89	51,13	65,61	94,59
H MINIMUM = 2,94												
	Y	30			3,55	7,55	11,55	15,55	21,55	27,55	39,55	63,55
	L1	30			11,90	15,90	19,90	23,90	29,90	35,90	47,90	71,90
	L2	30			16,36	20,36	24,36	28,36	34,36	40,36	52,36	76,36
	Z	30			19,24	22,71	26,17	29,64	34,83	40,03	50,42	71,21
H MINIMUM = 4,43												
	Y	45				2,17	5,00	7,83	12,07	16,31	24,80	41,77
	L1	45					13,78	16,60	20,85	25,09	33,57	50,54
	L2	45					20,47	23,30	27,55	31,79	40,27	57,24
	Z	45					21,35	23,35	26,35	29,35	35,35	47,35
H MINIMUM = 8,02												
	Y	60					1,26	3,56	7,03	10,49	17,42	31,28
	L1	60							16,40	19,87	26,80	40,65
	L2	60							25,34	28,80	35,73	49,58
	Z	60							22,79	24,52	27,99	34,91
H MINIMUM = 12,24												
	Y	90							1,25	4,25	10,25	22,25
	L1	90									20,34	32,34
	L2	90									33,74	45,74
	Z	90									21,34	21,34
H MINIMUM = 21,34												
IMC de 2 po												
	Y	15		5,04	12,77	20,50	28,22	35,95	47,54	59,13	82,31	128,68
	L1	15	7,71	15,44	23,17	30,90	38,62	46,35	57,94	69,53	92,71	139,00
	L2	15	10,19	17,92	25,64	33,37	41,10	48,83	60,42	72,01	95,19	141,56
	Z	15	14,56	22,03	29,49	36,96	44,42	51,89	63,00	74,28	96,67	141,45
H MINIMUM = 1,84												
	Y	22,5		0,88	6,10	11,33	16,56	21,78	29,62	37,46	53,14	84,50
	L1	22,5		10,40	15,63	20,86	26,08	31,31	39,15	46,99	62,67	94,02
	L2	22,5		14,12	19,35	24,57	29,80	35,02	42,86	50,70	66,38	97,74
	Z	22,5		18,03	22,86	27,69	32,52	37,34	44,59	51,83	66,31	95,29
H MINIMUM = 3,20												
	Y	30			2,50	6,50	10,50	14,50	20,50	26,50	38,50	62,50
	L1	30			11,88	15,88	19,88	23,88	29,88	35,88	47,88	71,88
	L2	30			16,84	20,84	24,84	28,84	34,84	40,84	52,84	76,84
	Z	30			20,07	23,54	27,00	30,46	35,66	40,86	51,25	72,03
H MINIMUM = 4,84												
	Y	45				1,12	3,94	6,77	11,02	15,26	23,74	40,71
	L1	45					13,74	16,56	20,81	25,05	33,53	50,50
	L2	45					21,16	23,99	28,24	32,48	40,96	57,93
	Z	45					22,45	24,45	27,45	30,45	36,45	48,45
H MINIMUM = 8,80												
	Y	60					0,11	2,42	5,89	9,35	16,28	20,13
	L1	60							16,30	19,77	26,70	20,55
	L2	60							26,21	29,67	36,60	50,46
	Z	60							24,19	25,93	29,39	26,32
H MINIMUM = 13,45												
	Y	90								2,75	8,75	20,75
	L1	90									19,94	31,94
	L2	90									34,80	46,80
	Z	90									23,53	23,53
H MINIMUM = 23,53												

Dépose et remplacement de la poignée

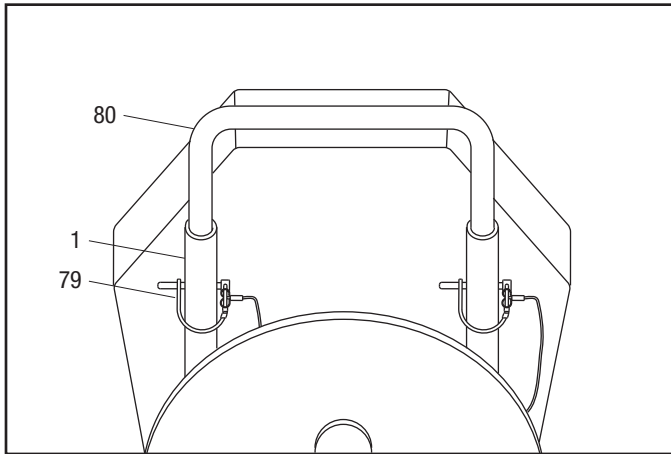
La poignée du 555C est conçue pour être amovible. Cette fonction est pratique pour les cintrages complexes et facilite le remplacement d'une poignée endommagée.

Dépose

1. Placer la cintreuse en position verticale.
2. Relâcher l'attache à ressort de la goupille de sécurité (79).
3. Retirer la goupille de la poignée (80) et le manchon du châssis (1).
4. Répéter les étapes 1 à 3 pour l'autre extrémité de la poignée.
5. Soulever la poignée pour la retirer.

Rechange

1. Insérer la poignée (80) dans les manchons du châssis (1).
2. Aligner les trous de la poignée sur les trous des manchons.
3. Insérer la goupille de sécurité (79). S'assurer que la goupille passe par la poignée et le manchon sur le châssis (1).
4. Engager l'attache à ressort de sécurité au-dessus de l'extrémité de la goupille. S'assurer que la boucle de l'attache est complètement autour de la goupille.
5. Répéter les étapes 2 à 4 pour l'autre extrémité de la poignée.



Dépose ou remplacement de la poignée

Transport

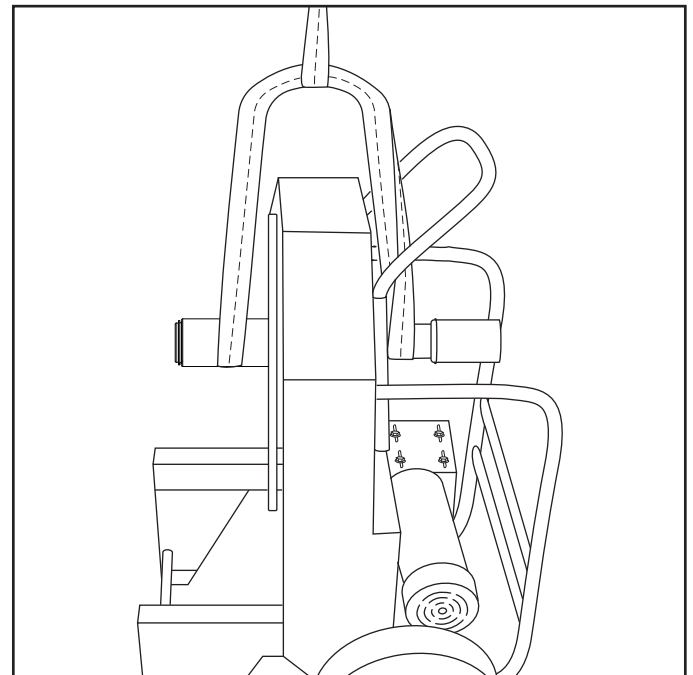
⚠ AVERTISSEMENT

S'assurer que la poignée est correctement installée et sécurisée avec les attaches à ressort de sécurité et les goupilles avant de soulever ou de déplacer la cintreuse. Une poignée mal montée peut provoquer une chute de la cintreuse et blesser les personnes présentes.

Le non-respect de cette mise en garde peut entraîner des blessures graves, voire mortelles.

Retirer le sabot de l'arbre principal et de l'axe de stockage et retirer tous les supports de galet de la cintreuse. Le seul moyen approprié de soulever cette cintreuse consiste à faire une boucle en nylon ou polyester autour de l'axe de stockage et de l'arbre principal pour créer une bretelle de transport comme illustré. La bretelle doit s'étendre de la poignée au cadre principal de la cintreuse de sorte que la poignée agisse comme guide pour la bretelle, comme illustré ci-dessous.

Fixer le dispositif de levage à l'attache et s'assurer que tous les composants utilisés pour soulever cette cintreuse sont certifiés conformément pour soulever un poids de 159 kg (350 lb). Utilisez une rampe pour charger et décharger à partir d'un camion ou d'un autre véhicule qui n'est pas équipé d'une porte de levage.



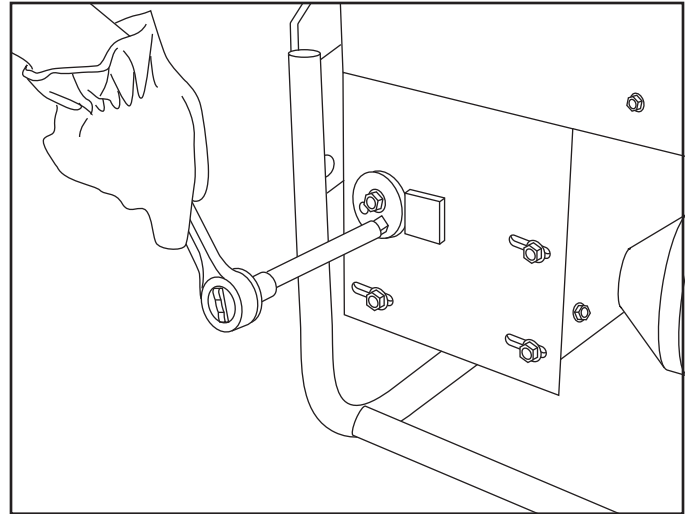
Transport de la cintreuse

Entretien

Il n'est pas nécessaire de rincer et de remplacer périodiquement le lubrifiant dans la boîte à engrenages de la cintreuse, car elle est étanche et solidement verrouillée. Cependant, si la boîte est ouverte pour réparation et que le lubrifiant est perdu ou contaminé par de la saleté, la boîte et les pièces doivent être rincés et remplis de 26 onces liquides d'huile synthétique 634 de la marque Mobil®.

Le rinçage doit être réalisé avec du kérosène, un hydrocarbure pétrolier qui n'affecte pas l'étanchéité des joints.

Remarque : Les hydrocarbures aromatiques tels que la benzine, les solvants chlorés tels que le tétrachlorure de carbone et les cétones telles que l'acétone ne doivent jamais être utilisés pour le rinçage, car ils sont des solvants pour dissoudre le caoutchouc. Ils sont également nocifs pour l'environnement.



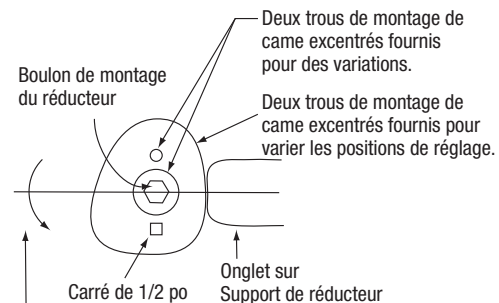
Lorsque les huit boulons de montage du réducteur (22, 24) sont desserrés, tournez la came excentrique avec un entraînement carré de 1/2 po pour mettre la chaîne en tension. Coupler les huit boulons de montage du réducteur à 47 newton-mètres (35 pi-lb).

	<h3>⚠ AVERTISSEMENT</h3>
	<p>Débrancher cet outil lorsqu'il n'est pas utilisé, avant de l'entretenir ou de l'ajuster, et lors du remplacement des sabots, des galets et des supports de conduit.</p> <p>Le non-respect de cette mise en garde peut entraîner des blessures graves, voire mortelles.</p>

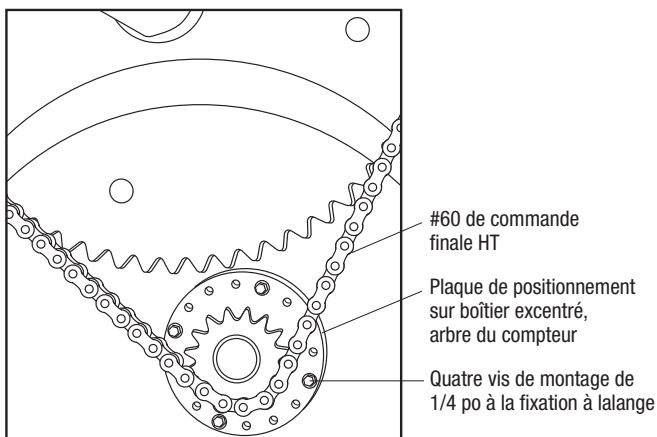
Ajustement de la chaîne

Les deux chaînes doivent être ajustées si la chaîne de transmission finale n° 60 doit être réinitialisée. Se reporter à la Vue éclatée et à la Liste des pièces détachées.

1. Retirer le couvercle avant (38) et la protection arrière supérieure (37).
2. Desserrer les huit boulons de montage du réducteur (19). Retirer la came excentrique et déplacez le réducteur pour créer du mou au niveau de la chaîne.
3. Retirer les quatre vis de retenue pour un réglage excentrique. Faire pivoter pour retirer le mou de la chaîne et l'aligner sur l'un des deux ensembles de trous dans le châssis. Remonter l'excentrique avec les quatre boulons.
4. Faire glisser le réducteur dans des trous de montage fendus sur la chaîne de rétention. Régler la tension avec la came excentrique.



Faire pivoter la came excentrique dans le sens anti-horaire. Appliquer 20 Newton-mètres (15 ft-lb) de couple pour régler la tension de la chaîne. Serrez ensuite les boulons de montage du réducteur à 47 Newton-mètres (35 pi-lb).



Dépannage

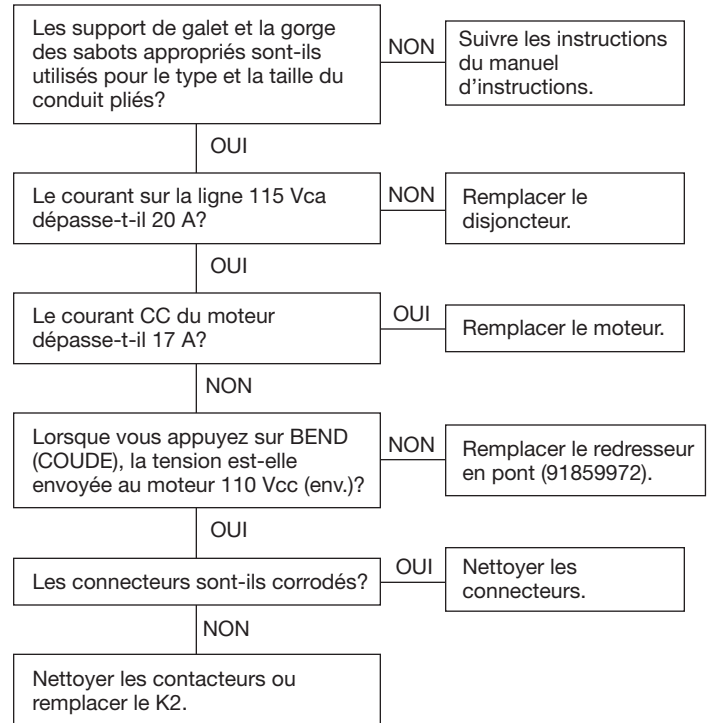
Problème	Cause probable	Solution possible
La cintreuse ne fonctionnera pas.	Aucune tension.	Vérifier le fonctionnement du circuit de tension d'alimentation.
		Vérifier que l'interrupteur est en marche.
Les cintrages sont effectués avec une compensation supérieure de quelques degrés.	Trop de pression sur les conduits EMT ou IMC de 1-1/2 po et de 2 po.	Réduire la pression selon les instructions de réglage.
	Caractéristiques inhabituelles du conduit.	Cintrer un angle plus petit pour compenser.
Les cintrages sont effectués avec une compensation inférieure de quelques degrés.	Trop peu de pression sur les conduits EMT ou IMC de 1-1/2 po et de 2 po.	Augmenter la pression selon les instructions de réglage.
	Caractéristiques inhabituelles du conduit.	Cintrer un angle plus grand pour compenser.

Dépannage (suite)

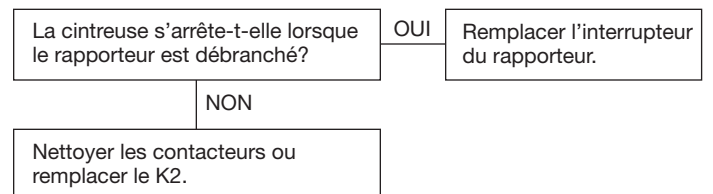
Les tableaux de débit suivants montrent les procédures de dépannage suggérées pour certains problèmes de cintreuse. Ils n'englobent en aucun cas tous les problèmes ou toutes les solutions possibles.

	<h3>⚠ AVERTISSEMENT</h3>
	<p>Danger de décharge électrique :</p> <ul style="list-style-type: none"> • Un contact avec des circuits sous tension peut entraîner des blessures graves, voire mortelles. • Certaines étapes de dépannage nécessitent l'alimentation de la cylindreuse. Ce type d'étape de dépannage ne doit être effectué que dans les centres de service Greenlee autorisés par du personnel familiarisé avec les procédures de dépannage en toute sécurité. <p>Le non-respect de ces mises en garde peut entraîner des blessures graves, voire mortelles.</p>

Bascule le disjoncteur/interrupteur 555C

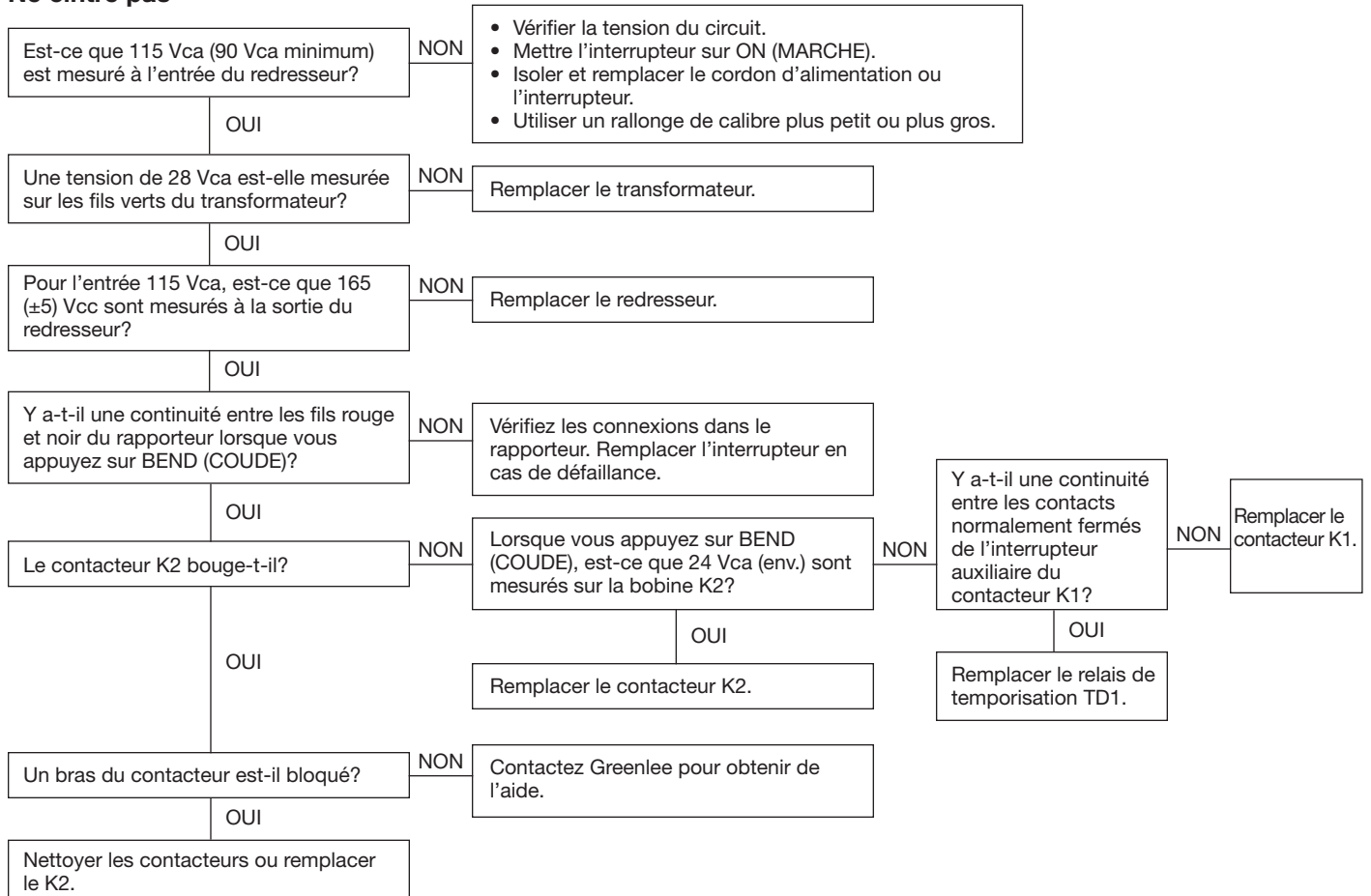


Ne s'arrête pas

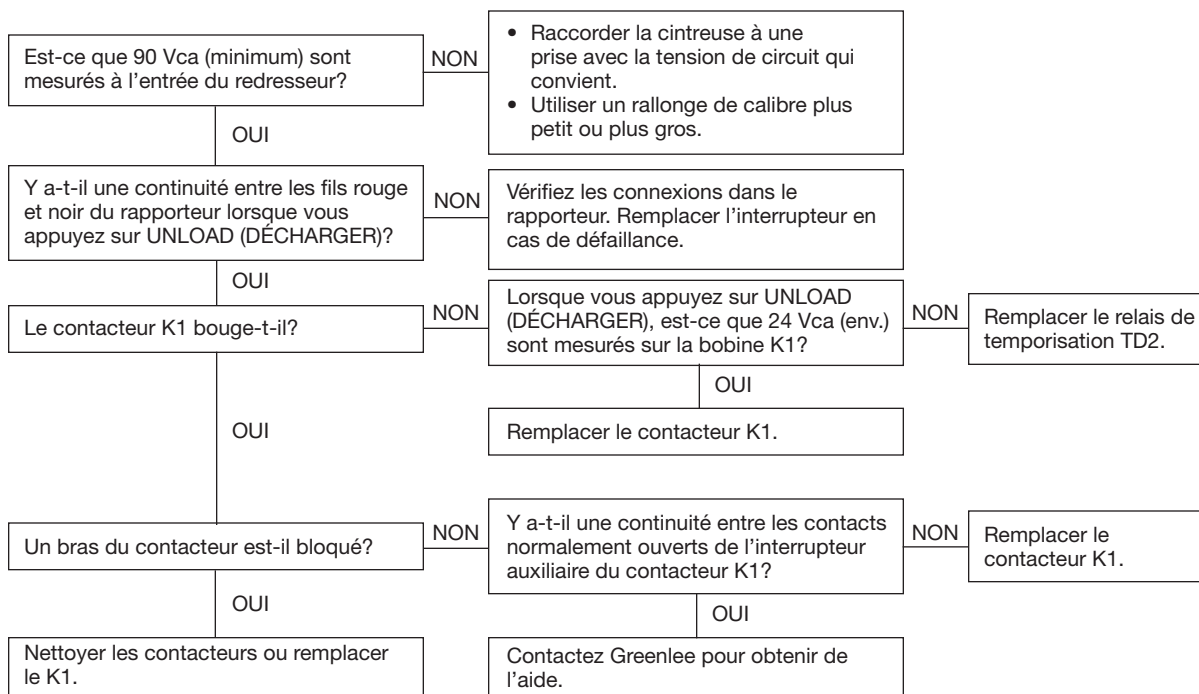


Dépannage (suite)

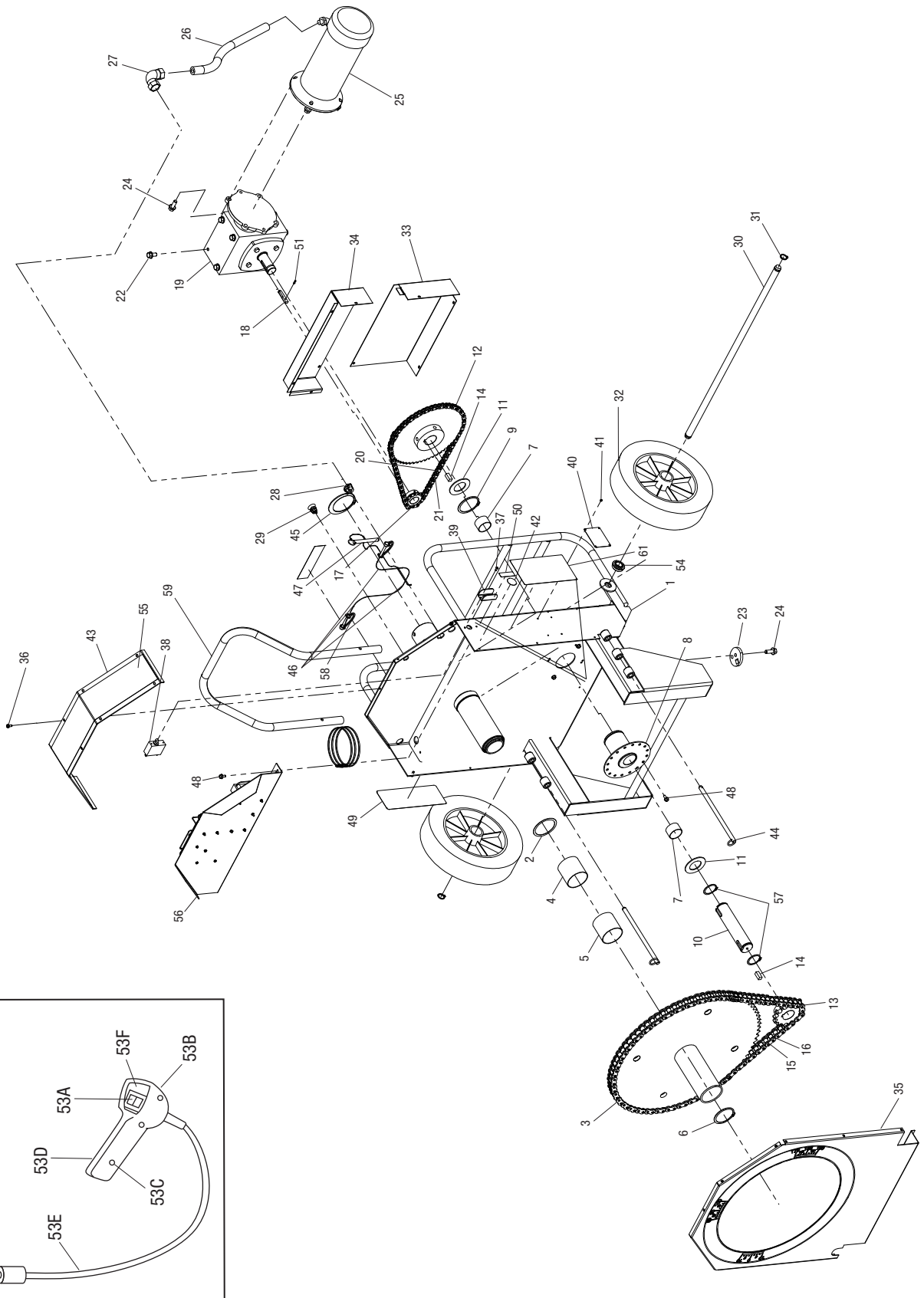
Ne cintre pas



La cintreuse ne s'exécute que quand elle est sur BEND (COUDE)



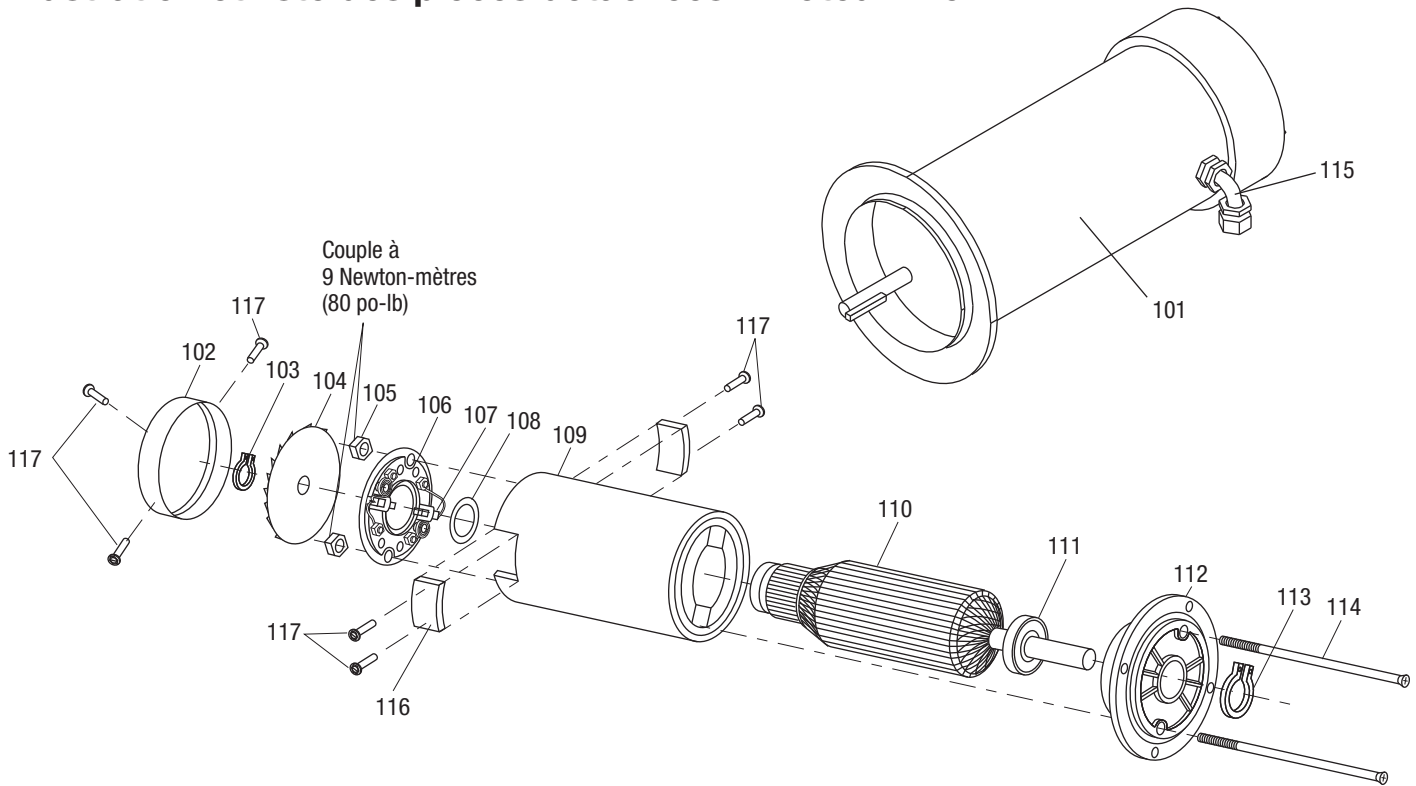
Illustration, cintreuse électrique classique 555C



Liste des pièces détachées, cintreuse électrique classique 555C

Numéro	N° de pièce	Description	Qté	Numéro	N° de pièce	Description	Qté
1	50397427	Assemblage mécanosoudé, châssis principal	1	38	91863856	Interrupteur Airpax	1
2	50234528	Rondelle, fibre	1	39	50297082	Protection, interrupteur	1
3	50328964	Assemblage mécanosoudé, pignon.....	1	40	50069055	Plaque d'identification.....	1
4	90524098	Roulement, Fiberglide® ø 2,625 x 2,5 de long	1	41	90530012	Rivet pop à expansion 1/8 x 1/8	4
5	90524101	Roulement, Fiberglide ø 2,625 x 3,75 de long	1	42	50303929	Autocollant d'avertissement d'humidité.....	1
6	90524144	Anneau de retenue n° 5100-237	1	43	50397591	Couvercle du dessus.....	1
7	90524128	Roulement, Fiberglide ø 1,625 x 1,00 de long	2	44	90533895	Goupille d'attelage	2
8	50397630	Assemblage mécanosoudé, arbre intermédiaire.....	1	45	90525019	Anneau de retenue n° 5100-287	1
9	90540239	Anneau de retenue n° 5100-250	1	46	90545524	Longe	3
10	50397648	Arbre intermédiaire	1	47	90545451	Goupille d'attelage	1
11	90524136	Roulement, poussée par Fiberglide	2	48	90543351	Vis auto-taraudeuse par formage du métal 1/4 x 0,37	6
12	90545486	Pignon n° 40 60T.....	1	49	50339370	Autocollant de réglage de la pression.....	1
13	90542533	Pignon n° 60 14T.....	1	50	50389742	Autocollant du disjoncteur	1
14	50397656	Clé, arbre intermédiaire	2	51	90553233	Broche DRIV-LOK®, 1/8 x 1/2.....	1
15	90545460	Chaîne n° 60 87P	1	52	50079123	Cordon d'alimentation.....	1
16	90542517	Maille maîtresse n° 60	1	53	50398393	Interrupteur, rapporteur (ensemble complet avec fiche Molex)	1
17	90545478	Pignon n° 40 13T.....	1	53A	91864496	Interrupteur, centre OFF (à l'arrêt)	1
18	50084313	Clé, pignon du réducteur.....	1		52093719	Kit du boîtier, rapporteur (comprend 53B, 53C et 53D)	1
19	90523881	Réducteur, vis sans fin	1	53B		Poignée, moitié droite	1
20	90527879	Maille maîtresse n° 40	1	53C		Vis auto-taraudeuse à tête cylindrique bombée n° 6-20 x 0,625	3
21	90545516	Chaîne n° 40 87P	1	53D		Poignée, moitié gauche.....	1
22	90545680	Boulon, 3/8-16 UNC x 0,75	7	53E	50398377	Cordon	1
23	50397583	Excentrique	1	53F	50354876	Autocollant du plateau de montage.....	1
24	90542371	Boulon, 3/8-16 UNC x 1,00	5	54	90517407	Rondelle plate	2
25	91869730	Moteur	1	55	52066299	Autocollant des instructions.....	1
26	90545494	Conduit, étanche.....	1	56	50068890	Ensemble de commande électronique.....	1
27	91852145	Coude, étanche.....	1	57	90510518	Anneau de retenue n° 5100-150	2
28	52083217	Réducteur de tension	1	58	90552687	Goupille de sécurité	2
29	52085071	Réducteur de tension, interrupt. à bout de fil.....	1	59	50397486	Poignée supérieure	1
30	50397575	Essieu	1	60	50120620	Adaptateur, avec fiche Molex (requis lors du remplacement de l'interrupteur à bout de fil sur les unités fabriquées avant le 1/3/05).....	1
31	90515285	Anneau de retenue n° 5160-75	2	61	52025721	Autocollant de sécurité/d'avertissement.....	1
32	90533909	Roue	2				
33	50397680	Protection arrière inférieure	1				
34	50397699	Protection arrière supérieure.....	1				
35	50397605	Couvercle avant	1				
36	90516559	Vis à tête hexagonale n° 10-16 x 0,50.....	31				
37	90504305	Vis Phillips n° 6-32 x 0,375	2				

Illustration et liste des pièces détachées - Moteur 115 V

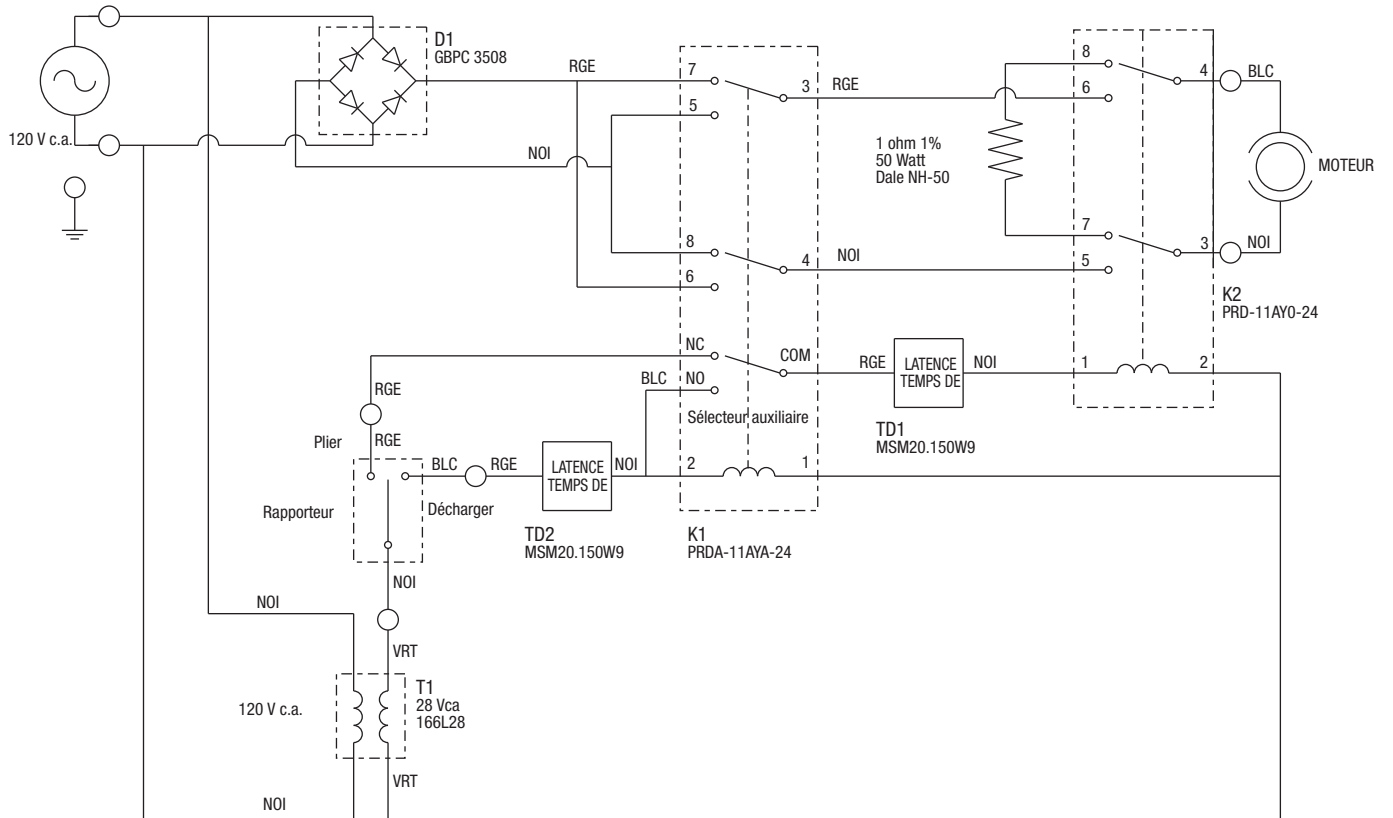


Pacific Scientific

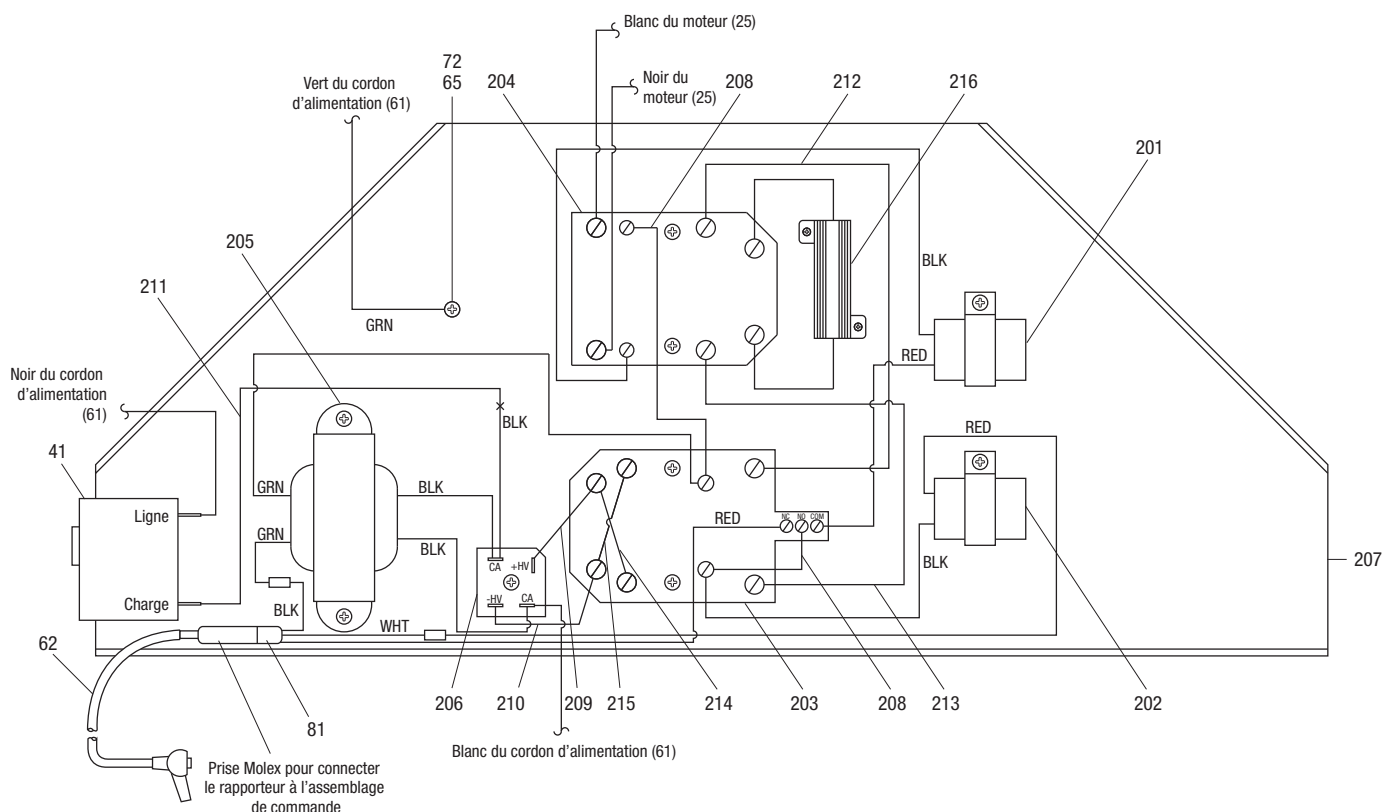
Numéro	N° de pièce	Description	Qté
101	91869730	Moteur (SRF-3648-5532-7-56C).....	1
*	91864178	Moteur, 115 V (standard) (SRF-3745-4676-2-56C).....	1
102	91864712	Couvercle du ventilateur	1
103	90550714	Anneau de retenue.....	1
104	91864321	Ventilateur	1
105	91864283	Écrou de serrage du flasque latéral	2
106	91864194	Flasque latéral arrière.....	1
107	91864208	Brosse	2
108	91864224	Rondelle de butée.....	1
109	91869757	Ensemble coque et aimant	1
*	91864275	Ensemble coque et aimant, 115 V	1
110	91869749	Armature	1
*	91864259	Armature, 115 V	1
111	91864216	Kit de paliers	2
112	91864186	Flasque latéral avant.....	1
113	91864240	Anneau de retenue.....	1
114	91864267	Boulon de liaison, 115 V	2
115	91858763	Connecteur 90°	1
116	91864305	Étui du couvercle	2
117	91864313	Vis du couvercle.....	7

*Remarque : Moteur alternatif
Vérifier le numéro de pièce du moteur avant de commander une coque aimantée ou une armature.

Schéma



Ensemble de commande

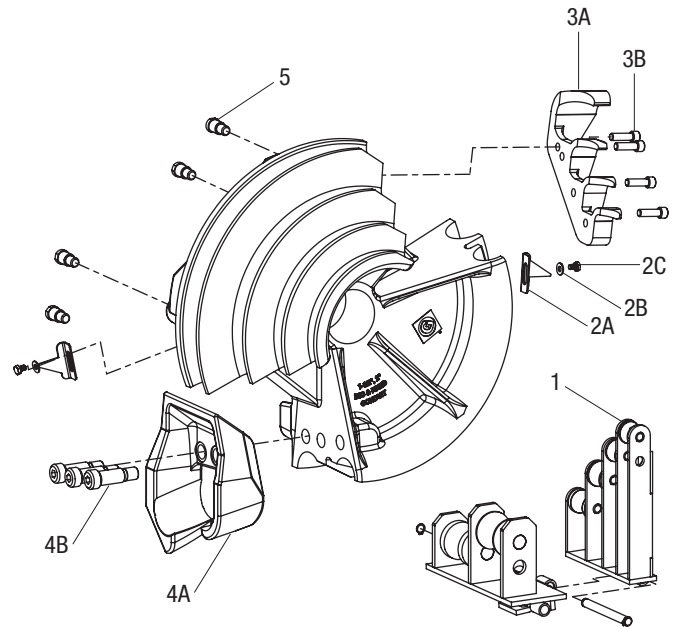


Ensemble de commande électronique – Pièce n° 50068890

Numéro	Référence		Description	Qté
	schématique	N° de pièce		
201	TD1	50069152	Ensemble du temporisateur avec retard ON (à l'enclenchement) de 150 ms	1
202	TD2	50069071	Ensemble du temporisateur avec retard ON (à l'enclenchement) de 150 ms	1
203	K1	91869668	Relais, alimentation, DPDT (avec interrupteur).....	1
204	K2	91869676	Relais, alimentation, DPDT.....	1
205	T1	50069080	Ensemble transformateur.....	1
206	D1	91859972	Redresseur en pont.....	1
207		50068954	Support du montage électrique	1
208		50068962	Faisceau de câbles, 14 AWG	2
209		50060341	Faisceau de câbles, 12 AWG (ROUGE).....	1
210		50060350	Faisceau de câbles, 12 AWG (NOIR).....	1
211		50069160	Unité de câblage du redresseur NOIR	1
212		50068989	Faisceau de câbles, 12 AWG (ROUGE).....	1
213		50068997	Faisceau de câbles, 12 AWG (NOIR).....	1
214		50060481	Faisceau de câbles, 12 AWG (ROUGE).....	1
215		50060490	Faisceau de câbles, 12 AWG (NOIR).....	1
216		50060511	Résistance avec broches de raccordement.....	1
65		90543297	Vis de borne de terre n° 8-32 x 0,37	1
72		90537246	Rondelle à denture interne	1
81		50120620	Adaptateur avec fiche Molex	1

Sabots de cintrage et supports de galet
SABOT DE CINTRAGE ET SUPPORT DE GALET 28008
Conduit rigide de 1/2 po à 2 po
Conduit IMC de 1/2 po à 1-1/4 po

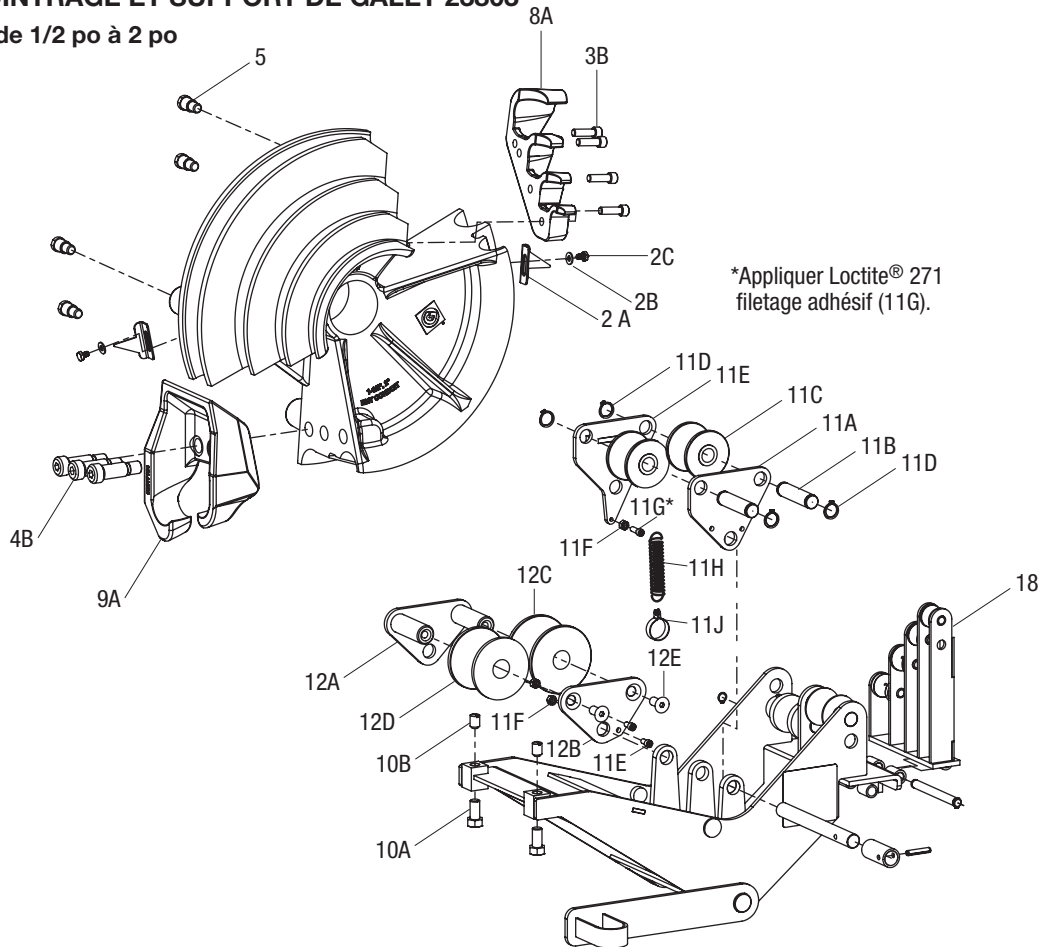
Numéro	N° de pièce	Description	Qté
	52066935	Sabot pour rigide/IMC de 1/2 po à 2 po	1
	52066936	Support de galet rigide de 1/2 po à 2 po	1
1	52066937	Support de galet de 1/2 po à 1-1/4 po	1
2	52065278	Kit de pointeur (comprend les pièces 2A à 2C)	
2A		Encoche	2
2B		Rondelle standard de 1/4 po.....	2
2C		Vis à tête hexagonale 1/4-20 x 3/8	2
3	52065279	Kit de crochets pour Rigide/IMC de 1/2 po à 1-1/4 po	
3A		Crochet pour Rigide/IMC de 1/2 po à 1-1/4 po.....	1
3B		Vis à chapeau à tête creuse 3/8-16 x 1-1/4	4
4	52065280	Kit de crochets pour Rigide/IMC de 1-1/2 po à 2 po	
4A		Crochet pour Rigide/IMC de 1-1/2 po à 2 po	1
4B		Vis à épaulement, ø 0,75 x 1,50 x 5/8-11	3
5	52066933	Goupille moletée à cartouche	4



Sabots de cintrage et supports de galet (suite)

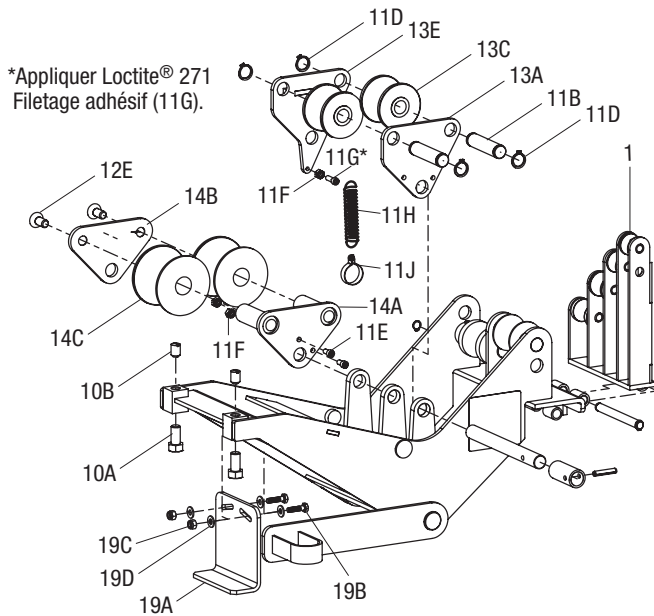
SABOT DE CINTRAGE ET SUPPORT DE GALET 23803

Conduit EMT de 1/2 po à 2 po

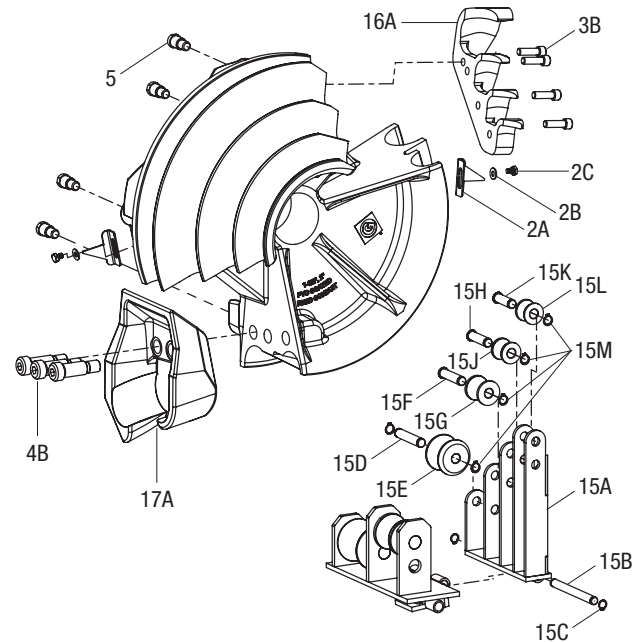


Numéro	N° de pièce	Description	Qté
	52066931	Sabot EMT de 1/2 po à 2 po.....	1
	52066932	Unité de pont EMT de 1/2 po à 2 po.....	1
2	52065278	Kit de pointeur (comprend les pièces 2A à 2C)	
2A		Encoche	2
2B		Rondelle standard de 1/4 po.....	2
2C		Vis à tête hexagonale 1/4-20 x 3/8	2
8	52065321	Kit de crochet pour EMT de 1/2 po à 1-1/4 po	
8A		Crochet pour EMT de 1/2 po à 1-1/4 po.....	1
3B		Vis à chapeau à tête creuse 3/8-16 x 1-1/4	4
9	52065322	Kit de crochet pour EMT de 1-1/2 po à 2 po	
9A		Crochet pour EMT de 1-1/2 po à 2 po.....	1
4B		Vis à épaulement, ø 0,75 x 1,50 x 5/8-11	3
5	52066933	Goupille moletée à cartouche	4
10	52065273	Kit de vis (comprend les pièces 10A et 10B)	
10A		Vis à tête hexagonale 1/2-13 x 1.....	2
10B		Jeu de vis à filets interrompus 1/2-13 x 3/4.....	2

Numéro	N° de pièce	Description	Qté
11	52065274	Kit de galets pour EMT de 1-1/2 po	
11A		Porte-pivot	1
11B		Axe de galet pour EMT de 1-1/2 po.....	2
11C		Galet pour EMT de 1-1/2 po	2
11D		Anneau de retenue Truarc n° 5160 EX	4
11E		Porte-pivot arrière	1
11F		Écrou hexagonal 1/4-20.....	1
11G		Vis à chapeau à tête creuse 1/4-20 x 3/4	1
11H		Extension à ressort.....	1
11J		Collier de fixation.....	1
12	52065275	Kit de galets pour EMT de 2 po	
12A		Assemblage mécanosoudé du support pour EMT de 2 po	1
12B		Plaque pour EMT de 2 po	1
12C		Galet arrière pour EMT de 2 po (diamètre extérieur plus grand).....	1
12D		Galet avant pour EMT de 2 po (diamètre extérieur plus petit).....	1
12E		Vis à tête plate 7/16-14 x 1	2
11E		Vis à chapeau à tête creuse 1/4-20 x 1/2	2
11F		Écrou hexagonal 1/4-20.....	2
18	52066934	Support de galet pour EMT de 1/2 po à 1-1/4 po.....	1

Sabots de cintrage et supports de galet (suite)
UNITÉ DE PONT 01323
Conduit rigide/IMC de 1/2 po à 2 po

 *Appliquer Loctite® 271
 Filetage adhésif (11G).

Numéro	N° de pièce	Description	Qté
	52064757	Unité de pont pour Rigide/IMC de 1/2 po à 2 po.....	1
10	52065273	Kit de vis (comprend les pièces 10A et 10B)	
10A		Vis à tête hexagonale 1/2-13 x 1.....	2
10B		Jeu de vis à filets interrompus 1/2-13 x 3/4.....	2
13	52065276	Kit de galets pour IMC de 1-1/2 po	
13A		Porte-pivot	1
11B		Axe de galet pour EMT de 1-1/2 po.....	2
13C		Galet pour IMC de 1-1/2 po.....	2
11D		Anneau de retenue Truarc n° 5160 EX	4
13E		Porte-pivot arrière	1
11F		Écrou hexagonal 1/4-20.....	1
11G		Vis à chapeau à tête creuse 1/4-20 x 3/4	1
11H		Extension à ressort.....	1
11J		Collier de fixation.....	1
14	52065277	Kit de galets pour IMC de 2 po	
14A		Assemblage mécanosoudé du support pour IMC de 2 po	1
14B		Plaque pour IMC de 2 po	1
14C		Galet pour IMC de 2 po.....	2
12E		Vis à tête plate 7/16-14 x 1	2
11E		Vis à chapeau à tête creuse 1/4-20 x 1/2	2
11F		Écrou hexagonal 1/4-20.....	2
1	52066937	Support de galet pour Rigide/IMC de 1/2 po à 1-1/4 po	1
19	52066949	Kit de plaques (comprend les pièces 19A à 19D)	
19A		Plaque pliée en pont	1
19B		Vis à tête hexagonale 1/4-20 x 1-1/4.....	2
19C		Écrou de blocage, 1/4-20.....	2

SABOTS DE CINTRAGE ET SUPPORTS DE GALET EN PVC 12586
Conduit rigide 40 Mil à revêtement en PVC de 1/2 po à 2 po


Numéro	N° de pièce	Description	Qté
19D		Rondelle standard de 1/4 po.....	4
	52066939	Sabot rigide à revêtement pvc de 1/2 po à 2 po	
	52066940	Support de galet de 1/2 po à 2 po	
15	52065272	Support de galet de 1/2 po à 1-1/4 po	
15A		Assemblage mécanosoudé du support	1
15B		Porte-pivot	1
15C		Anneau de retenue Truarc n° 5160-42 EX.....	2
15D		Axe de support de galet de 1-1/4 po.....	1
15E		Galet de 1-1/4 po.....	1
15F		Axe de support de galet de 1 po.....	1
15G		Galet de 1 po.....	1
15H		Axe de support de galet de 3/4 po	1
15J		Galet de 3/4 po	1
15K		Axe de support de galet de 1/2 po	1
15L		Galet de 1/2 po	1
15M		Anneau de retenue Truarc n° 5160-50 EX.....	5
2	52065278	Kit de pointeur (comprend les pièces 2A à 2C)	
2A		Encoche	2
2B		Rondelle standard de 1/4 po.....	2
2C		Vis à tête hexagonale 1/4-20 x 3/8	2
16	52065323	Kit de crochet pour PVC de 1/2 po à 1-1/4 po	
16A		Crochet pour PVC de 1/2 po à 1-1/4 po.....	1
3B		Vis à chapeau à tête creuse 3/8-16 x 1-1/4	4
17	52065324	Kit de crochet pour PVC de 1-1/2 po à 2 po	
17A		Crochet pour PVC de 1-1/2 po à 2 po.....	1
4B		Vis à épaulement, ø 0,75 x 1,50 x 5/8-11	3
5	52066933	Goupille moletée à cartouche	4

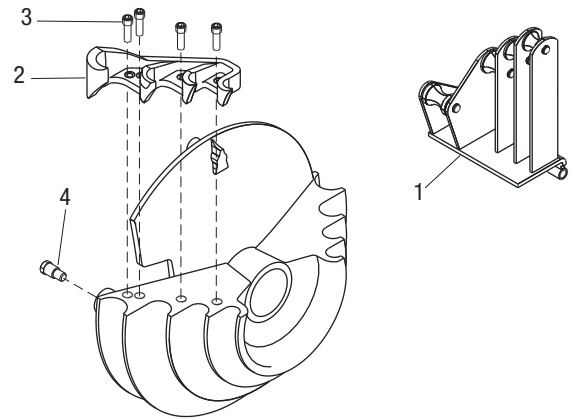
Sabots de cintrage et supports de galet (suite)

SABOT DE CINTRAGE ET SUPPORT DE GALET

Conduit rigide/IMC de 1/2 po à 1-1/4 po

Numéro	N° de pièce	Description	Qté
1	50009362	Support de galet pour rigide/IMC de 1/2 po à 1-1/4 po.....	1
	50005715	Ensemble du sabot (comprend les pièces 2 à 4).....	1
2	50005693	Crochet.....	1
3		Vis à chapeau à tête creuse 3/8-16 UNC x 1-1/4 po.....	4
4	50234226	Ergot d'entraînement.....	3

Le sabot n'est pas disponible séparément.

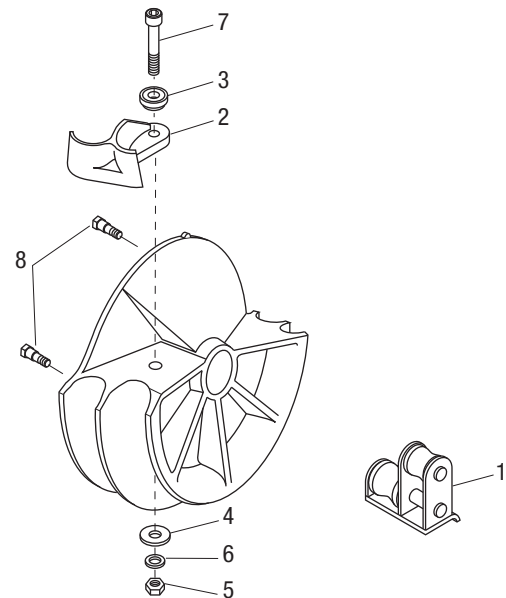


SABOT DE CINTRAGE ET SUPPORT DE GALET

Conduit rigide de 1-1/2 po à 2 po

Numéro	N° de pièce	Description	Qté
1	50179845	Support de galet pour conduit rigide de 1-1/2 po à 2 po.....	1
	50179373	Ensemble de sabot pour conduit rigide de 1-1/2 po à 2 po (comprend les pièces 2 à 8).....	1
2	50179691	Accroche-tuyau.....	1
3	50179748	Pivot.....	1
4	90526759	Rondelle plate 5/8.....	1
5	90515692	Écrou hexagonal 5/8-11 UNC.....	1
6	90509056	Rondelle de blocage 5/8.....	1
7	90524268	Vis à chapeau à tête creuse 5/8-11 UNC x 4 po.....	1
8	50234226	Ergot d'entraînement.....	4

Le sabot n'est pas disponible séparément.

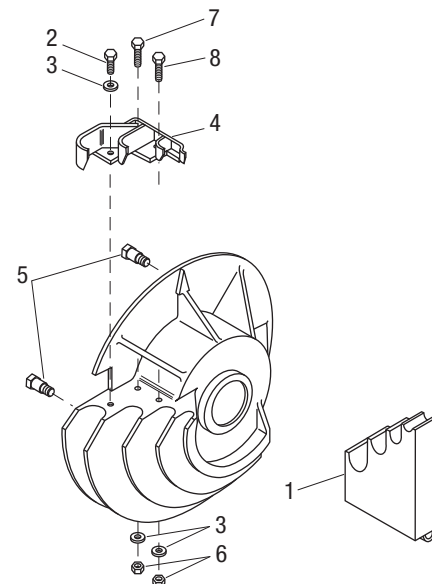


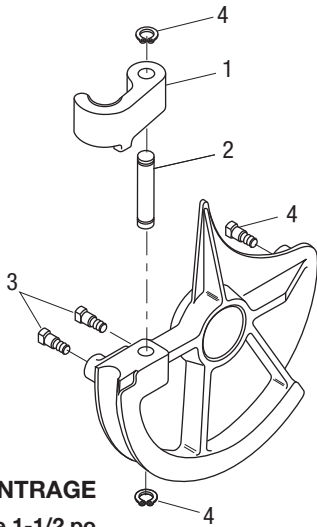
SABOT DE CINTRAGE ET APPUIS DE TUYAUX

Conduit EMT de 1/2 po à 1-1/4 po

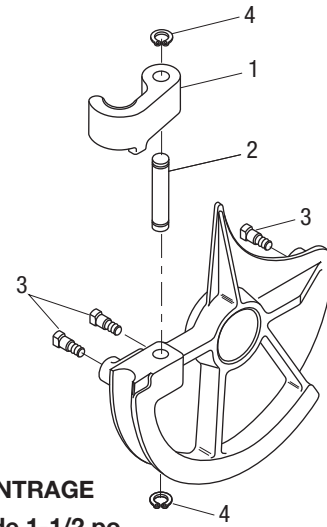
Numéro	N° de pièce	Description	Qté
1	50179861	Ensemble d'appuis de tuyaux pour conduit EMT de 1/2 po à 1-1/4 po.....	1
	50179446	Ensemble de sabot pour conduit EMT de 1/2 po à 2-1/4 po (comprend les pièces 2 à 8).....	1
2		Vis à chapeau à tête creuse 3/8-16 UNC x 1 po.....	1
3		Rondelle de blocage 3/8.....	3
4	50245554	Accroche-tuyau.....	1
5	50234226	Ergot d'entraînement.....	4
6		Écrou hexagonal plaqué au cadmium 3/8-16 UNC.....	2
7		Vis à chapeau à tête creuse 3/8-16 UNC x 1-1/4 SAE de grade 5.....	1
8		Vis à chapeau à tête creuse 3/8-16 UNC x 1-1/4.....	1

Le sabot n'est pas disponible séparément.

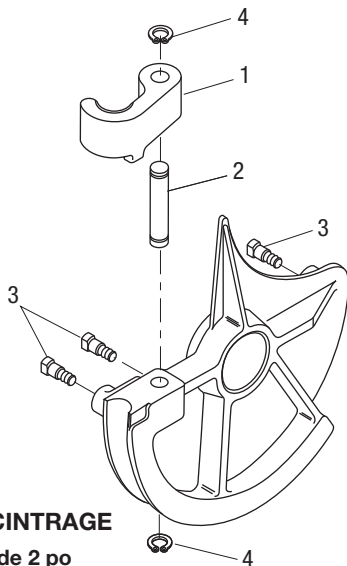


Sabots de cintrage et supports de galet (suite)

SABOT DE CINTRAGE
 Conduit EMT de 1-1/2 po

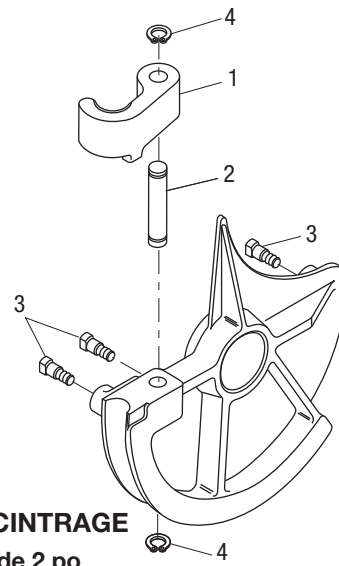
Numéro	N° de pièce	Description	Qté
	50234994	Ensemble de sabot pour EMT de 1-1/2 po (comprend les pièces 1 à 4)	1
1	50188208	Crochet pour EMT de 1-1/2 po	1
2	50188410	Taquet d'accrochage pour EMT de 1-1/2 po	1
3	50234226	Ergot d'entraînement	3
4	90515293	Anneau de retenue Tru-Arc n° 5160-87	2


SABOT DE CINTRAGE
 Conduit IMC de 1-1/2 po

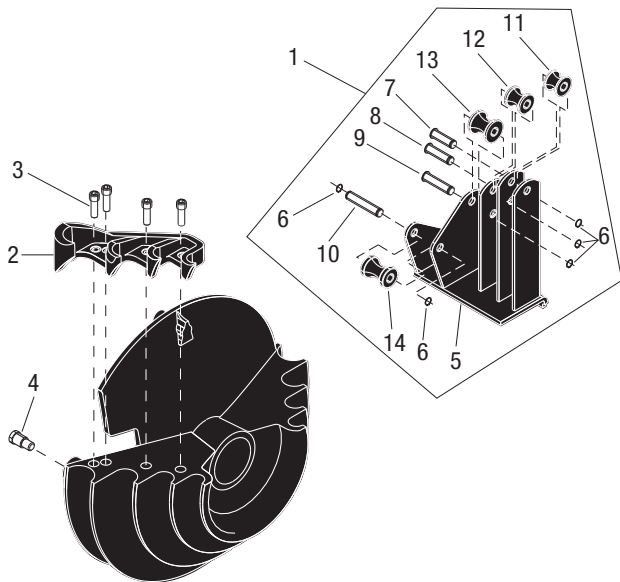
Numéro	N° de pièce	Description	Qté
	50253631	Ensemble de sabot pour IMC de 1-1/2 po (comprend les pièces 1 à 4)	1
1	50188119	Crochet pour IMC de 1-1/2 po	1
2	50188372	Broche pour IMC de 1-1/2 po	1
3	50234226	Ergot d'entraînement	3
4	90515285	Anneau de retenue Tru-Arc	2


SABOT DE CINTRAGE
 Conduit EMT de 2 po

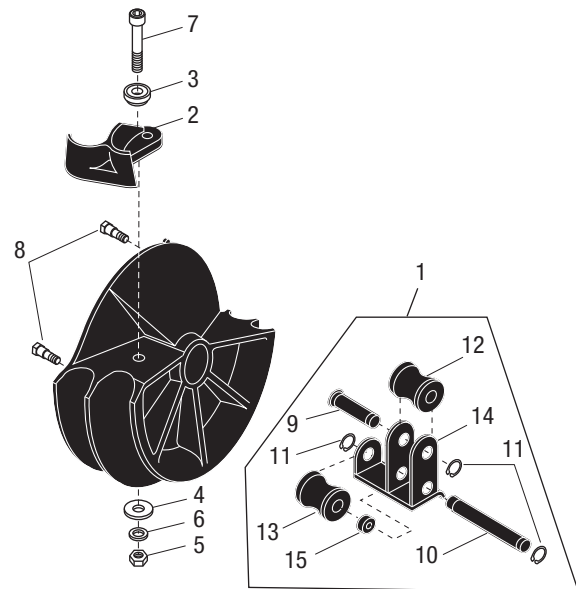
Numéro	N° de pièce	Description	Qté
	50235052	Ensemble de sabot pour conduit EMT de 2 po (comprend les pièces 1 à 4)	1
1	50188186	Crochet pour EMT de 2 po	1
2	50188429	Broche, taquet d'accrochage pour EMT de 2 po	1
3	50234226	Ergot d'entraînement	3
4	90515293	Anneau de retenue Tru-Arc n° 5160-87	2


SABOT DE CINTRAGE
 Conduit IMC de 2 po

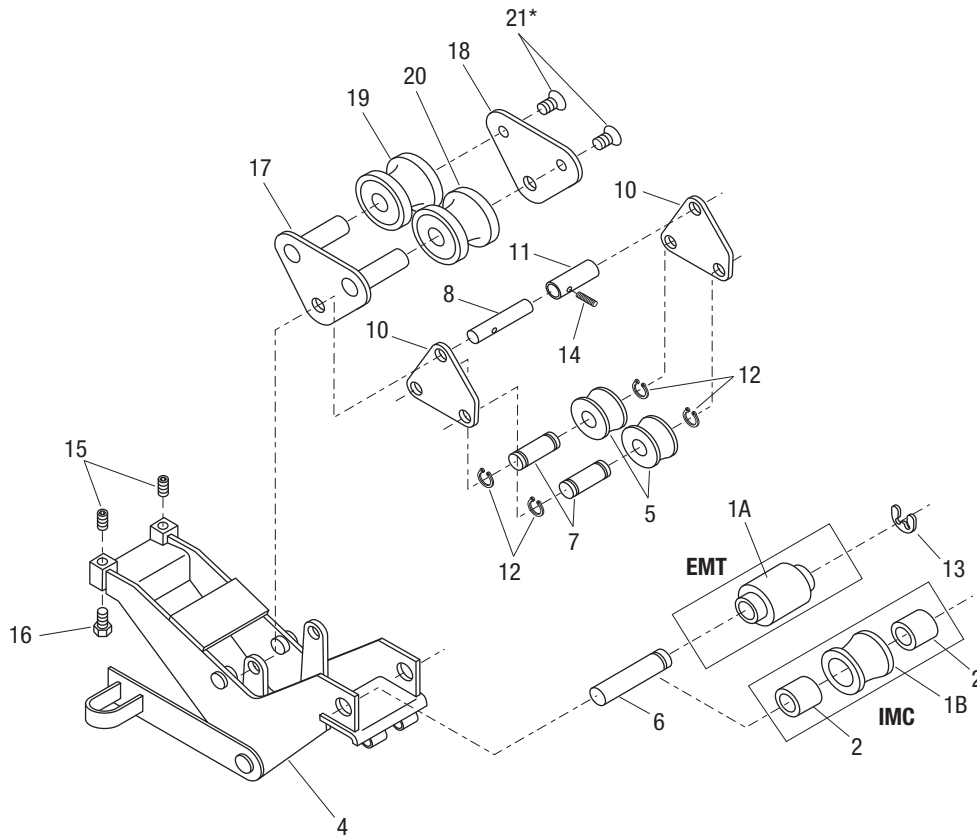
Numéro	N° de pièce	Description	Qté
	50252682	Ensemble de sabot pour IMC de 2 po (comprend les pièces 1 à 4)	1
1	50001957	Crochet pour IMC de 2 po	1
2	50188429	Broche pour IMC de 2 po	1
3	50234226	Ergot d'entraînement	3
4	90515293	Anneau de retenue Tru-Arc	2

Sabots de cintrage et supports de galet (suite)

SABOT DE CINTRAGE ET SUPPORT DE GALET
Conduit rigide 40 Mil à revêtement en PVC de 1/2 po à 1-1/4 po

Numéro	N° de pièce	Description	Qté
1	50009460	Support de galet pour rigide à revêtement en PVC de 1/2 po à 1-1/4 po (comprend les pièces 5 à 14).....	1
	50005731	Ensemble de sabot pour conduit rigide de 1/2 po à 1-1/4 po (comprend les pièces 2 à 4).....	1
2	50005707	Crochet.....	1
3	90510887	Vis à chapeau à tête creuse 3/8-16 UNC x 1-1/4 po.....	4
4	50234226	Ergot d'entraînement.....	3
5	50009451	Assemblage mécanosoudé du support de galet.....	1
6	90513533	Anneau de retenue.....	5
7	50009230	Axe de support de galet de 1/2 po.....	1
8	50009249	Axe de support de galet de 3/4 po.....	1
9	50009257	Axe de support de galet de 1 po.....	1
10	50009265	Axe de support de galet de 1-1/4 po.....	1
11	50009273	Galet de 1/2.....	1
12	50009281	Galet de 3/4.....	1
13	50009290	Galet de 1 po.....	1
14	50009303	Galet de 1-1/4 po.....	1


SABOT DE CINTRAGE ET SUPPORT DE GALET
Conduit rigide 40 Mil à revêtement en PVC de 1-1/2 po à 2 po

Numéro	N° de pièce	Description	Qté
1	50372823	Support de galet pour rigide à revêtement en PVC de 1-1/2 po à 2 po (comprend les pièces 9 à 15).....	1
	50372815	Ensemble de sabot pour PVC de 1-1/2 po à 2 po (comprend les pièces 2 à 8).....	1
2	50024990	Crochet.....	1
3	50179748	Pivot.....	1
4	90526759	Rondelle plate 5/8 po.....	1
5	90515692	Écrou hexagonal 5/8-11 UNC.....	1
6	90509056	Rondelle de blocage 5/8 po.....	1
7	90524268	Vis à chapeau à tête creuse 5/8-11 UNC x 4 po.....	1
8	50234226	Ergot d'entraînement.....	4
9	50376624	Arbre de 1-1/2 po.....	1
10	50376616	Arbre de 2 po.....	1
11	90515285	Anneau de retenue.....	3
12	50372840	Galet de 1-1/2 po.....	1
13	50372831	Galet de 2 po.....	1
14	50376640	Assemblage mécanosoudé du support.....	1
15	50320254	Entretoise.....	1

Sabots de cintrage et supports de galet (suite)

SUPPORT DE GALET POUR EMT

Numéro N° de pièce	Description	Qté
50235419	Support de galet pour EMT de 1-1/2 po et 2 po (comprend toutes les pièces suivantes).....	1
1A	50279831 Galet anti-vibratoire.....	1
4	50235397 Châssis.....	1
5	50235109 Galet pour EMT de 1-1/2 po.....	2
6	50235117 Axe du support de galet.....	1
7	50239325 Broche, galet pour EMT de 1-1/2 po.....	2
8	50235176 Pivots du galet.....	1
10	50235249 Porte-pivot pour EMT de 1-1/2 po.....	2
11	50237934 Entretoise.....	1
12	90515285 Anneau de retenue.....	4
13	90524640 Anneau de retenue externe Tru-Arc série « E » n° X5133-98.....	1
14	90514912 Goupille élastique n° 59, -040-187-1250.....	1
15	90528484 Vis à cuvette dentelée 1/2-13 UNC x 3/4.....	2
16	90505425 Vis à tête hexagonale 1/2-13 UNC x 1.....	2
17	50349643 Assemblage mécanosoudé du support de galet de 2 po.....	1
18	50349651 Plaque du support de galet intérieur de 2 po.....	1
19	50235192 Galet avant pour EMT de 2 po.....	1
20	50237926 Galet arrière pour EMT de 2 po.....	1
21*	90533941 Vis à tête plate 7/16-14 UNC x 1.....	2

SUPPORT DE GALET POUR IMC

Numéro N° de pièce	Description	Qté
50252739	Support de galet pour IMC de 1-1/2 po et 2 po (comprend les pièces 1 et 2).....	1
1B	50283340 Galet.....	1
2	50283359 Entretoise.....	2
4	50263250 Châssis.....	1
5	50252747 Galet pour IMC de 1-1/2 po.....	2
6	50235117 Axe du support de galet.....	1
7	50239325 Axe de galet pour IMC de 1-1/2 po.....	2
8	50235176 Pivots du galet.....	1
10	50235249 Porte-pivot pour IMC de 1-1/2 po.....	2
11	50237934 Entretoise.....	1
12	90515285 Anneau de retenue.....	4
13	90524640 Anneau de retenue externe Tru-Arc série « E » n° X5133-98.....	1
14	90514912 Goupille élastique n° 59, -040-187-1250.....	1
15	90528484 Vis à cuvette dentelée 1/2-13 UNC x 3/4.....	2
16	90505425 Vis à tête hexagonale 1/2-13 UNC x 1.....	2
17	50349643 Assemblage mécanosoudé du support de galet de 2 po.....	1
18	50349651 Plaque du support de galet intérieur de 2 po.....	1
19	50252798 Galet pour IMC de 2 po.....	2
21*	90533941 Vis à tête plate 7/16-14 UNC x 1.....	2

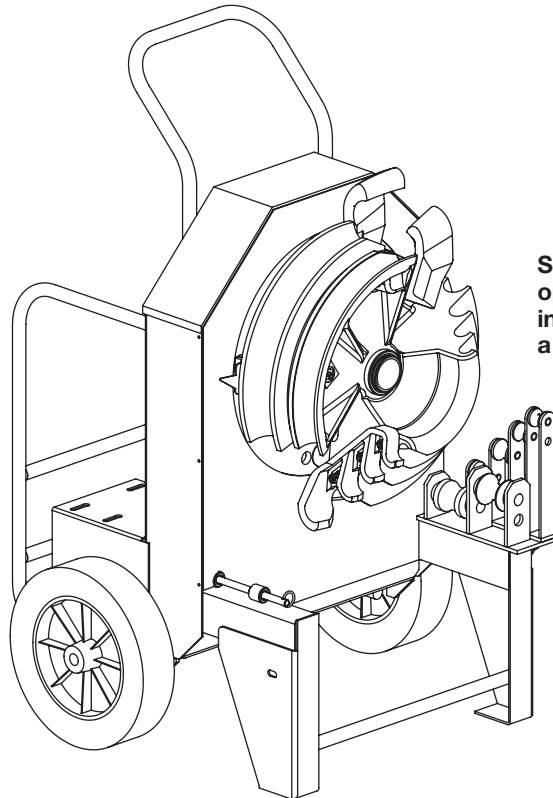
*La clé n° 21 doit être serrée au couple de 54 à 61 newton-mètres (de 40 à 45 pi-lb).



4455 Boeing Drive • Rockford, IL 61109-2988 • États-Unis • 815 397 7070
©2021 Greenlee Tools, Inc. • Une société certifiée ISO 9001
www.greenlee.com

USA Tel : 800-435-0786 CanadaTel : 800-435-0786 InternationalTel : +1-815-397-7070
Télécopieur : 800-451-2632 Télécopieur : 800-524-2853 Télécopieur : +1-815-397-9247

MANUAL DE INSTRUCCIONES



Se muestra con el grupo
opcional de zapata
individual rígida de 1/2 in
a 2 in

English	1
Français	45

Curvadora eléctrica Classic 555C

Códigos de serie AFB y ADE



GREENLEE.COM/QR/555C

Lea y comprenda todas las instrucciones y la información de seguridad de este manual antes de hacer funcionar o darle mantenimiento a esta herramienta.

Registre este producto en www.greenlee.com

Índice

Descripción	90
Seguridad	90
Objetivo de este manual.....	90
Información de seguridad importante	91-92
Instrucciones de conexión a tierra	93
Identificación	94
Especificaciones	94
Grupos de accesorios para el curvado	95-96
Configuración	97-98
Funcionamiento.....	99-101
Glosario ilustrado sobre el curvado	102
Instrucciones para el curvado	103-104
Instrucciones de curvado adicionales.....	105-108
Tablas de curvado adicionales	109-114
Extracción y sustitución de la manija.....	115
Transporte	115
Mantenimiento.....	116
Resolución de problemas.....	117-119
Ilustraciones y listas de piezas.....	120-122
Diagrama esquemático	123
Conjunto de control.....	124
Zapatas de curvado y soportes de bobina	125-131

Descripción

La curvadora eléctrica Classic 555C de Greenlee está diseñada para curvar conductos y tubos de 1/2 in a 2 in.

Existen grupos de zapatas de curvado que se adaptan a los siguientes tipos:

- Tubería eléctrica metálica
- Conducto metálico intermedio
- Conducto rígido
- Conducto rígido con recubrimiento de PVC
- Tubo cédula 40

Los grupos de zapatas se muestran en la sección “Grupos de accesorios para el curvado” de este manual.

Seguridad

La seguridad es esencial al utilizar y mantener las herramientas y los equipos de Greenlee. Este manual de instrucciones y todas las marcas presentes en la herramienta ofrecen la información necesaria para evitar riesgos y prácticas poco seguras relacionadas con su uso. Seguir toda la información sobre seguridad que se proporciona.

Objetivo de este manual

Este manual tiene como propósito familiarizar al personal con los procedimientos de operación y mantenimiento seguros de la siguiente herramienta Greenlee:

Curvadora eléctrica Classic 555C
Códigos de serie AFB y ADE

Este manual debe estar disponible para todo el personal.

Hay manuales de reemplazo disponibles sin costo y a solicitud en www.greenlee.com.



¡No desechar este producto ni tirarlo a la basura!

Para obtener información sobre reciclaje, visitar

www.greenlee.com.

Todas las especificaciones son nominales y pueden cambiar a medida que se hagan mejoras al diseño. Greenlee Tools, Inc. no se hace responsable por los daños producidos por una aplicación inadecuada o el uso indebido de sus productos.

Loctite es una marca registrada de Henkel Corp.

Mobil es una marca registrada de Mobil Oil Corporation.

CONSERVAR ESTE MANUAL

INFORMACIÓN DE SEGURIDAD IMPORTANTE



SÍMBOLO DE ALERTA DE SEGURIDAD

Este símbolo se utiliza para indicar un riesgo o una práctica poco segura que podría ocasionar lesiones o daños materiales. La palabra que está al lado del símbolo indica la gravedad del peligro, tal y como se muestra a continuación. El mensaje que sigue a esta palabra proporciona información para prevenir o evitar el peligro.

⚠ PELIGRO

Peligros inmediatos que, si no se evitan, CAUSARÁN lesiones graves o fatales.

⚠ ADVERTENCIA

Peligros que, si no se evitan, PODRÍAN causar lesiones graves o fatales.

⚠ ATENCIÓN

Peligros o prácticas no seguras que, si no se evitan, PUEDEN causar lesiones o daños materiales.



⚠ PELIGRO

Leer y comprender todas las instrucciones y la información de seguridad de este manual antes de utilizar o reparar esta herramienta.

No prestar atención a esta advertencia causará lesiones graves o fatales.



⚠ PELIGRO

No utilizar esta herramienta en un entorno peligroso. Algunos ejemplos de entornos peligrosos se producen alrededor de líquidos, gases u otros materiales inflamables. El uso de esta herramienta en entornos peligrosos puede resultar en incendio o explosión.

No prestar atención a esta advertencia causará lesiones graves o fatales.



⚠ ADVERTENCIA

Peligro de descarga eléctrica:

- Conectar el cable de alimentación a un receptáculo de 120 voltios y 20 amperios únicamente en un circuito de falla a tierra protegido. Consultar las "Instrucciones de conexión a tierra".
- No modificar el cable de alimentación ni la toma.
- Revisar minuciosamente el cable de alimentación antes de utilizarlo. Reparar o reemplazar el cable si está dañado.
- Desconectarlo del suministro de energía antes de darle mantenimiento.

No prestar atención a estas advertencias podría causar lesiones graves o fatales.



⚠ ADVERTENCIA

- No exponer la unidad a la lluvia.
- No utilizar la unidad en lugares húmedos o mojados.

No prestar atención a estas advertencias podría causar lesiones graves o fatales.



⚠ ADVERTENCIA

Usar protección para los ojos al utilizar o reparar esta herramienta.

No usar protección para los ojos podría exponer al usuario a lesiones oculares graves si salen partículas despedidas.




⚠ ADVERTENCIA

No retirar las cubiertas de protección.


No prestar atención a esta advertencia podría causar lesiones graves o fatales.




INFORMACIÓN DE SEGURIDAD IMPORTANTE

	⚠ ADVERTENCIA
	<p>Cables de extensión:</p> <ul style="list-style-type: none"> • Utilizar únicamente cables de extensión de tres cables, de calibre 12, con tomas de tres clavijas con conexión a tierra y receptáculos de tres orificios que acepten la toma de la herramienta. • No utilizar cables de extensión de más de 30 m (100 ft). • Reparar o sustituir los cables de extensión dañados. <p>No prestar atención a estas advertencias podría causar lesiones graves o fatales.</p>

⚠ ADVERTENCIA
<p>Asegurarse de que la manija esté correctamente instalada y asegurada con los sujetadores del resorte de seguridad y los pasadores de seguridad antes de levantar o mover la curvadora. Una manija instalada de manera errónea podría provocar la caída de la curvadora y lesionar al personal que se encuentre en el área.</p> <p>No prestar atención a esta advertencia podría causar lesiones graves o fatales.</p>

	⚠ ADVERTENCIA
	<p>Puntos de pinzamiento:</p> <p>Mantener las manos alejadas de las zapatas, rodillos y conductos de curvado cuando se esté utilizando la curvadora.</p> <p>No prestar atención a esta advertencia podría causar lesiones graves o fatales.</p>

⚠ ADVERTENCIA
<p>Desconectar la curvadora antes de cambiar los accesorios. Si se activa accidentalmente, podría ocasionar lesiones graves.</p>

	⚠ ATENCIÓN
	<p>No utilice la unidad como escalón o escalera.</p> <p>De no observarse esta precaución, pueden producirse lesiones o daños materiales.</p>

⚠ ATENCIÓN
<ul style="list-style-type: none"> • El conducto se mueve rápidamente conforme se curva. La trayectoria del conducto debe estar libre de obstáculos. Antes de comenzar a curvar, asegurarse de que el espacio libre sea el adecuado. • Esta curvadora no debe operarse si se lleva puesta vestimenta holgada. La vestimenta holgada puede quedar atrapada en partes móviles. • Revisar minuciosamente la curvadora antes de utilizarla. Reemplazar los componentes desgastados, dañados o faltantes con piezas de repuesto de Greenlee. Un componente dañado o montado de forma incorrecta podría romperse y golpear al personal que esté cerca de la unidad. • Algunas piezas y accesorios de la curvadora son pesadas y podría necesitarse más de una persona para levantarla y montarla. • Utilizar esta herramienta solo para el propósito que la diseñó el fabricante. Si se utiliza de una manera distinta a la prescrita en este manual, podrían ocasionarse lesiones o daños materiales. <p>De no observarse estas precauciones pueden sufrirse graves lesiones o daños materiales.</p>

Nota: Mantener todos los adhesivos limpios y legibles, y sustituirlos cuando sea necesario.

Instrucciones de conexión a tierra

	⚠ ADVERTENCIA
	<p>Peligro de descarga eléctrica:</p> <ul style="list-style-type: none">• No modifique el enchufe que se suministra con la herramienta.• Conectar esta herramienta a un receptáculo puesto a tierra en un circuito de falla a tierra (GFCI) protegido de 20 A. <p>No respetar estas advertencias podría provocar lesiones graves o la muerte.</p>

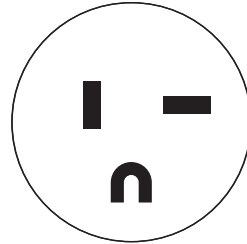
Esta herramienta debe estar conectada a tierra. En caso de fallo o avería, la conexión a tierra proporciona una vía de menor resistencia para la corriente eléctrica. Esta vía de menor resistencia se utiliza para reducir el riesgo de descargas eléctricas.

El cable eléctrico de esta herramienta incluye un conductor de puesta a tierra y una toma de puesta a tierra, tal como se muestra. No modificar el enchufe. Conecte el enchufe en el receptáculo con protección GFCI correspondiente que esté montado y conectado a tierra de forma adecuada, de conformidad con todas las ordenanzas y códigos locales y nacionales.

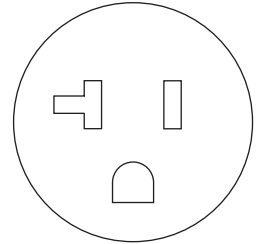
No utilice ningún adaptador.

20 A/120 V

Toma y receptáculo

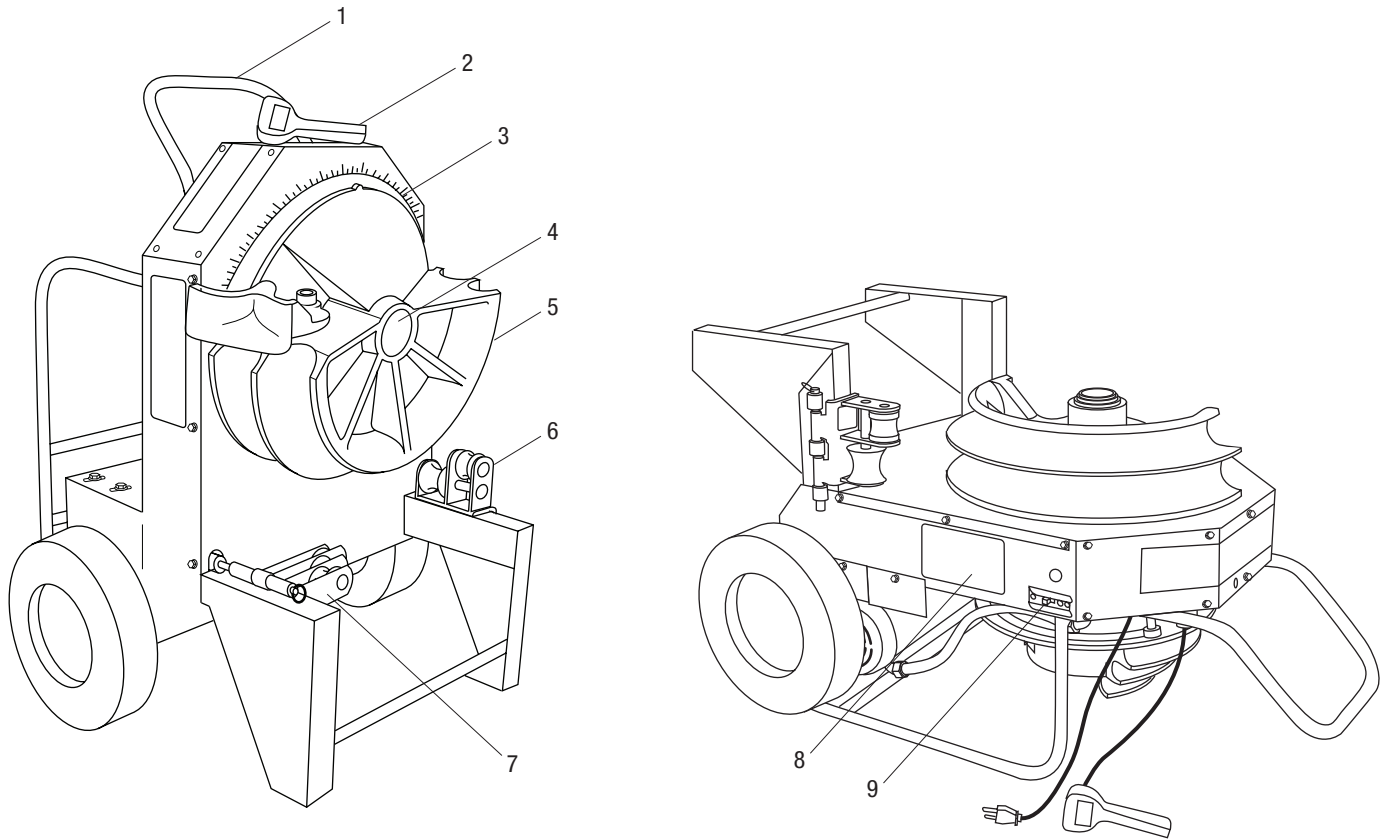


Enchufe



Receptáculo

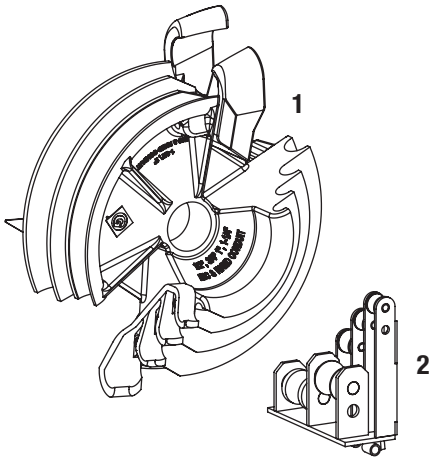
No modifique el enchufe suministrado. Si no cabe en el tomacorriente, haga que un electricista cualificado instale el tomacorriente adecuado. La conexión indebida del conductor a tierra del equipo puede provocar un riesgo de electrocución. El conductor con aislamiento con un forro verde con franjas amarillas o sin ellas es el conductor de conexión a tierra del equipo. Si es necesario reparar o reemplazar el cordón eléctrico o el enchufe, no conecte el conductor de puesta a tierra del equipo a un terminal energizado. Consulte con un electricista cualificado o personal de mantenimiento si no entiende completamente las instrucciones de conexión a tierra, o si tiene dudas en cuanto a si la herramienta está debidamente conectada a tierra.

Identificación

Curvadora eléctrica 555RC (ilustrada)

- | | |
|----------------------|---|
| 1. Manija | 6. Soporte de bobina de 1-1/2 in a 2 in |
| 2. Colgante | 7. Soporte de bobina de 1-1/2 in a 2 in |
| 3. Transportador | 8. Adhesivo de instrucciones de curvado de 1/2 in a 1-1/4 in (en la posición de almacenamiento) |
| 4. Eje principal | 9. Interruptor de circuito (Interruptor ON/OFF [ENCENDIDO/APAGADO]) |
| 5. Zapata de curvado | |

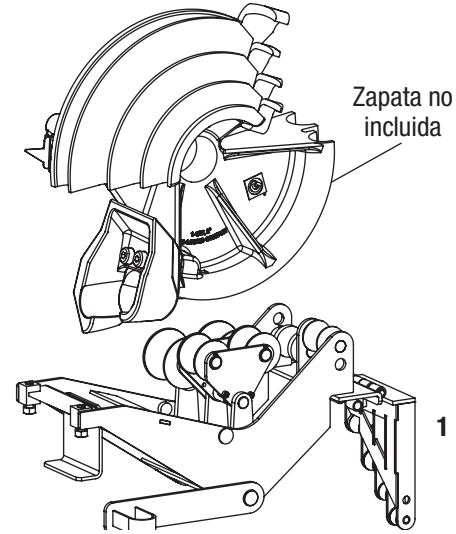
Especificaciones

Altura	1118 mm (44 in)
Ancho	724 mm (28,5 in)
Profundidad	521 mm (20,5 in)
Masa/peso (curvadora sin zapatas ni soportes de bobina).....	118 kg (260 lb)
Suministro de energía.....	Receptáculo protegido contra circuitos de fallos de conexión a tierra de 120 VCA, 20 A
Condiciones de operación	
Temperatura.....	-20 °C a 49 °C (-5 °F a 120 °F)
Humedad relativa.....	0 a 98 %
Capacidad	Conducto de 1/2 in a 2 in, tubería cédula 40

Grupos de accesorios para el curvado
ZAPATA INDIVIDUAL RÍGIDA


28008: Rígida de 1/2 in a 2 in
IMC de 1/2 in a 1-1/4 in
Tubo cédula 40 de 1/2 in a 2 in

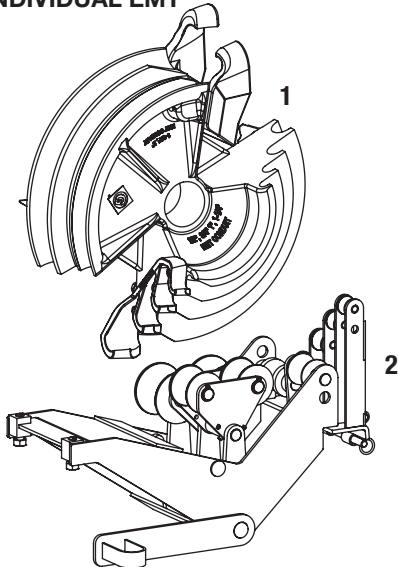
Clave	N.º de UPC 78-3310-	Descripción
1	02548	Zapata de curvado para 1/2 in a 2 in
2	02549	Unidad de soporte de bobina para 1/2 in a 2 in
	23818	Caja de almacenamiento

ZAPATA INDIVIDUAL IMC


01323: IMC de 1/2 in a 2 in

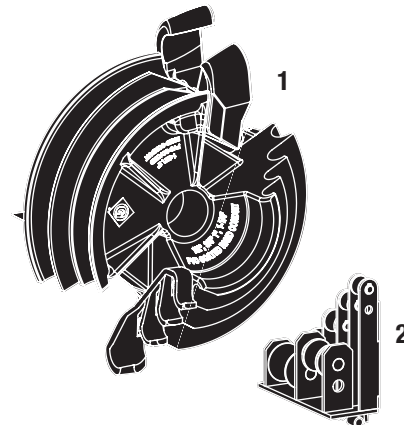
Clave	N.º de UPC 78-3310-	Descripción
1	01323	Conjunto de soporte de bobina

Nota: Se requiere la zapata rígida/IMC 02548 para utilizar el soporte de bobina 01323 en la curvadora 555C.

ZAPATA INDIVIDUAL EMT


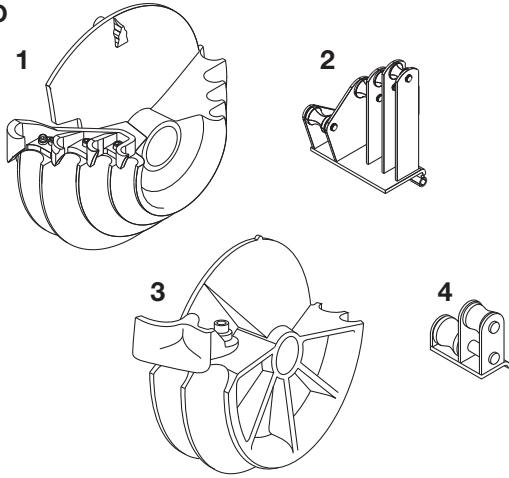
23803: EMT de 1/2 in a 2 in

Clave	N.º de UPC 78-3310-	Descripción
1	02543	Zapata de curvado para 1/2 in a 2 in
2	02544	Unidad de soporte de bobina para 1/2 in a 2 in
	23818	Caja de almacenamiento

ZAPATA INDIVIDUAL RÍGIDA RECUBIERTA DE PVC


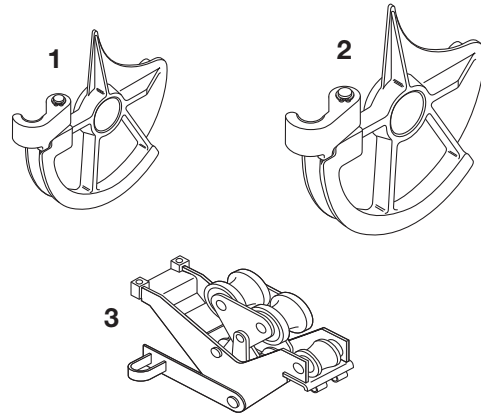
12586: Rígida recubierta de PVC de 1/2 in a 2 in, 40 mil

Clave	N.º de UPC 78-3310-	Descripción
1	02553	Zapata de curvado para 1/2 in a 2 in
2	02554	Unidad de soporte de bobina para 1/2 in a 2 in
	23818	Caja de almacenamiento

Grupos de accesorios para el curvado (cont.)
RÍGIDO


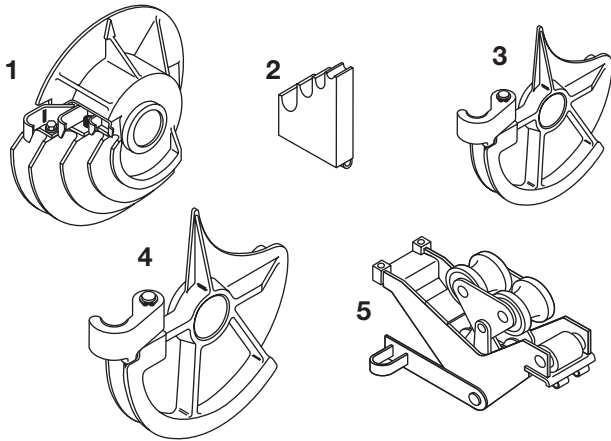
28007: IMC de 1/2 in a 1-1/4 in
Acero rígido de 1/2 in a 2 in
Tubo cédula 40 de 1/2 in a 2 in

Clave	N.º de UPC 78-3310-	Descripción
1	00571	Zapata de curvado para 1/2 in a 1-1/4 in
2	00936	Unidad de soporte de bobina para 1/2 in a 1-1/4 in
3	17937	Zapata de curvado para 1-1/2 in to 2 in
4	17984	Unidad de soporte de bobina para 1-1/2 in a 2 in

IMC


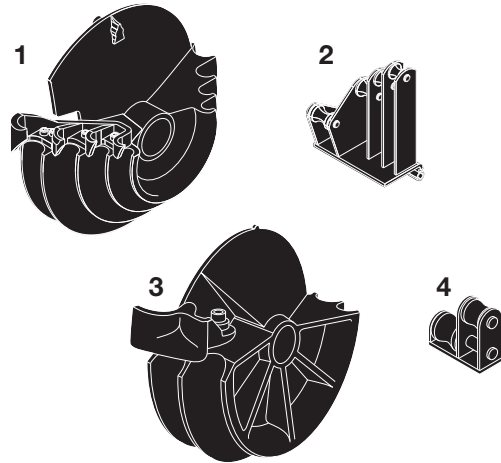
26330: IMC de 1-1/2 in a 2 in

Clave	N.º de UPC 78-3310-	Descripción
1	25263	Zapata de curvado para 1-1/2 in
2	25268	Zapata de curvado para 2 in
3	25273	Unidad de soporte de bobina para 1-1/2 in a 2 in
	23818	Caja de almacenamiento

EMT


23802: EMT de 1/2 in a 2 in

Clave	N.º de UPC 78-3310-	Descripción
1	17944	Zapata de curvado para 1/2 in a 1-1/4 in
2	17986	Unidad de soporte de bobina para 1/2 in a 1-1/4 in
3	23499	Zapata de curvado para 1-1/2 in
4	23505	Zapata de curvado para 2 in
5	23541	Unidad de soporte de bobina para 1-1/2 in a 2 in
	23818	Caja de almacenamiento

RÍGIDO RECUBIERTO DE PVC


37279: Rígido recubierto de PVC de 1-1/2 in a 2 in, 40 mil

Clave	N.º de UPC 78-3310-	Descripción
1	00573	Zapata de curvado para 1/2 in a 1-1/4 in
2	00946	Unidad de soporte de bobina para 1/2 in a 1-1/4 in
3	37281	Zapata de curvado para 1-1/2 in a 2 in
4	37282	Unidad de soporte de bobina para 1-1/2 in a 2 in
	23818	Caja de almacenamiento

Configuración



⚠ ADVERTENCIA

Usar protección para los ojos al utilizar o reparar esta herramienta.

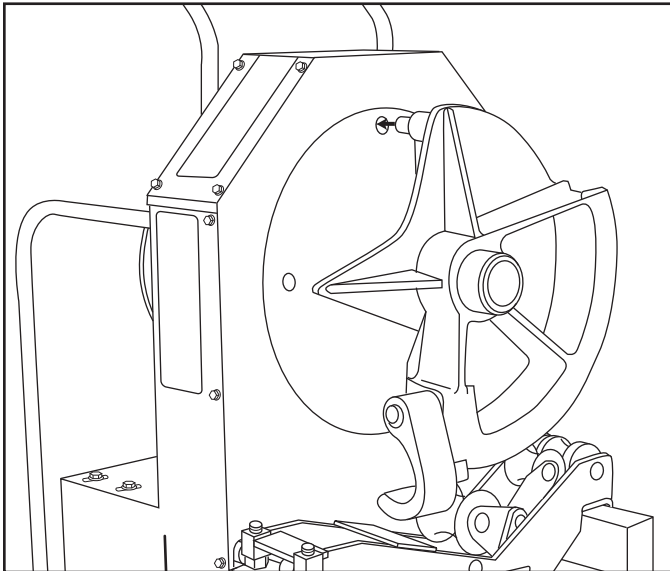
No usar protección para los ojos podría exponer al usuario a lesiones oculares graves si salen partículas despedidas.

⚠ ADVERTENCIA

Desconectar la curvadora antes de cambiar los accesorios. Si se activa accidentalmente, podría ocasionar lesiones graves.

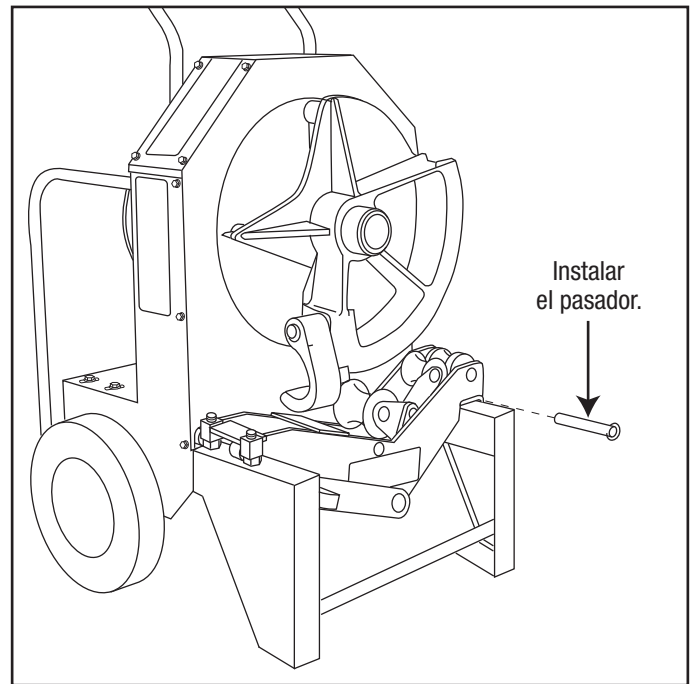
1. Deslizar la zapata de curvado apropiada en el eje del piñón principal, tal como se muestra. Alinear los cuatro espárragos de accionamiento en la parte posterior de la zapata con los cuatro orificios en el piñón principal.

Nota: Las zapatas de curvado EMT e IMC de 1-1/2 in y 2 in tienen solo tres espárragos de accionamiento.

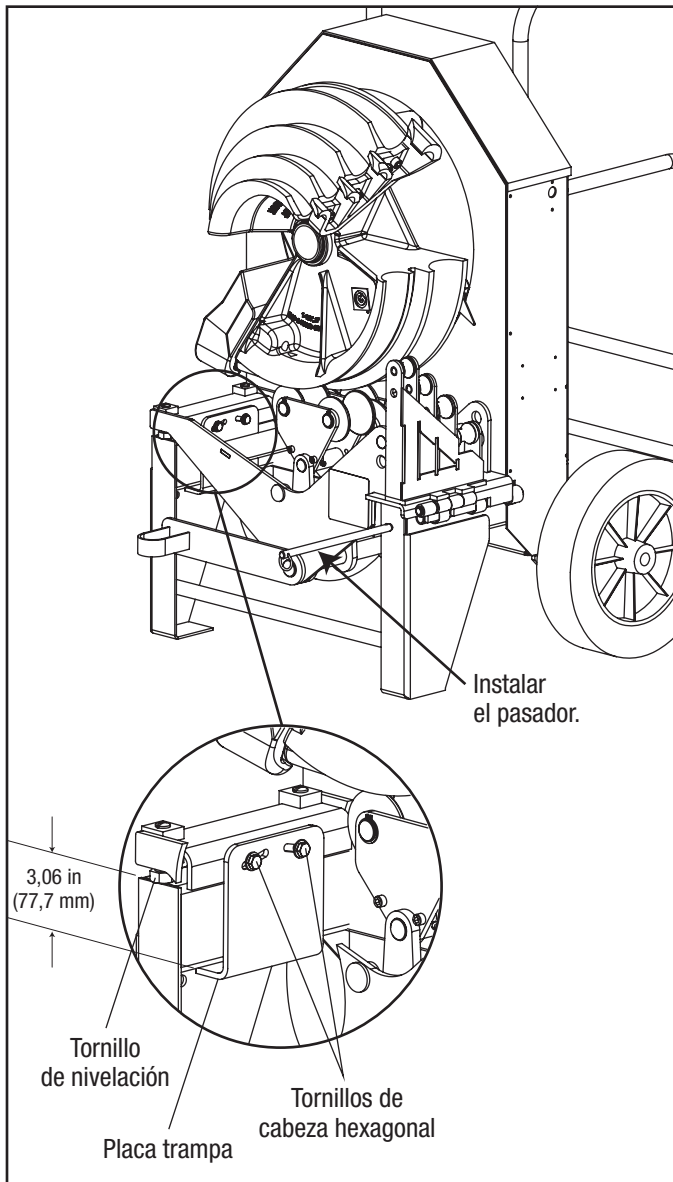


Instalación de una zapata de curvado

2. Montar la unidad de soporte apropiada en la pata de la curvadora e instalar el pasador de bisagra, tal como se muestra.



Unidad de soporte de bobina instalada

Configuración (cont.)


Nota: El soporte de bobina de zapata individual IMC tiene una placa trampa que puede requerir un ajuste para el encaje adecuado alrededor de la pata de la curvadora. Comprobar que la placa trampa esté a 3,06 in (77,7 mm) por debajo de los tornillos de nivelación. Si es necesario, aflojar los dos tornillos de cabeza hexagonal y ajustar la distancia. Volver a apretar los tornillos.

3. Hacer una marca en el conducto. Consultar los adhesivos de la curvadora o la sección "Instrucciones de curvado adicionales" de este manual.
4. Colocar la curvadora en posición de curvado vertical u horizontal.

Unidad de soporte de bobina de una zapata individual IMC instalada

Funcionamiento

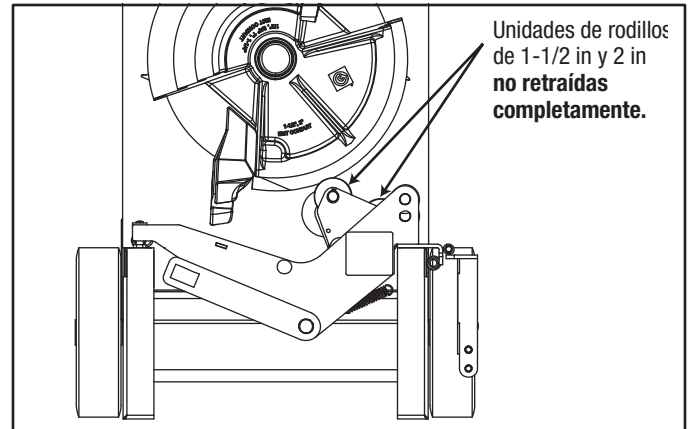
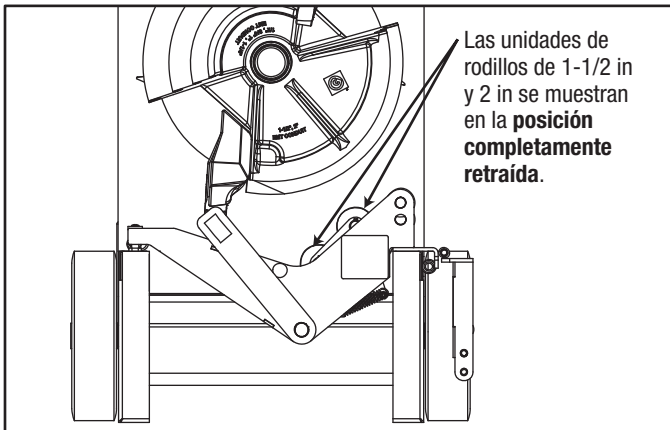
	⚠ ADVERTENCIA
	<p>Usar protección para los ojos al utilizar o reparar esta herramienta.</p> <p>No usar protección para los ojos podría exponer al usuario a lesiones oculares graves si salen partículas despedidas.</p>

	⚠ ADVERTENCIA
	<p>Puntos de pinzamiento:</p> <p>Mantener las manos alejadas de las zapatas, rodillos y conductos de curvado cuando se esté utilizando la curvadora.</p> <p>No prestar atención a esta advertencia podría causar lesiones graves o fatales.</p>

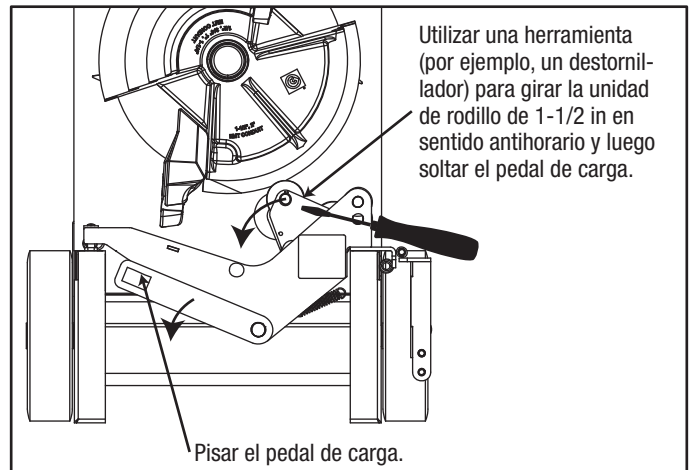
⚠ ADVERTENCIA
<p>Esta curvadora no debe operarse si se lleva puesta vestimenta holgada. La vestimenta holgada puede quedar atrapada en partes móviles.</p> <p>No prestar atención a esta advertencia podría causar lesiones graves o fatales.</p>

UNIDADES DE RODILLOS RETRÁCTILES DE 1-1/2 IN Y 2 IN

Nota: La unidad de puente EMT 02544 y la unidad de puente IMC/rígida 01323 tienen un resorte para enganchar correctamente las unidades de rodillo de 1-1/2 in y 2 in cuando se pisa el pedal de carga. Antes de cargar el conducto o de girar el gancho de la zapata más allá de los rodillos, comprobar que las unidades de rodillo de 1-1/2 in y 2 in estén en la posición totalmente retraída, como se muestra.

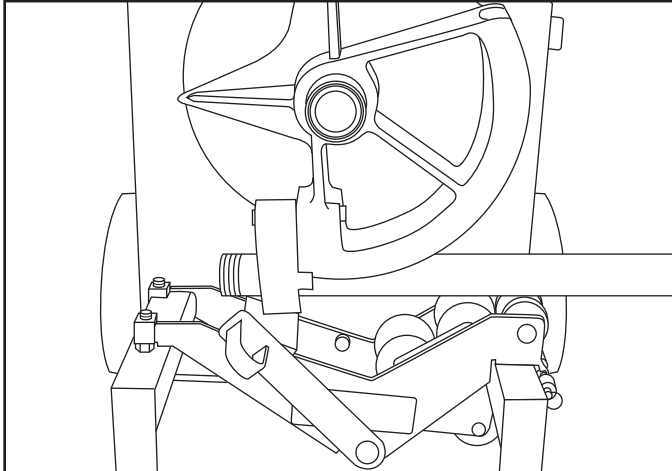


Para retraer completamente los rodillos, presionar el pedal de carga hasta que el brazo entre en contacto con el tope y retirar el pie del pedal de carga. Las unidades de rodillo de 1-1/2 in y 2 in deben colocarse en la posición totalmente retraída. De lo contrario, utilizar una mano para presionar ligeramente el pedal de carga, y utilizar una herramienta (por ejemplo, un destornillador) para ajustar el rodillo de manera que ambos rodillos giren en sentido antihorario hasta la posición de retracción. El uso de una herramienta para ajustar el rodillo mantendrá las manos y los dedos alejados de cualquier posible punto de pinzamiento.



Funcionamiento (cont.)**CURVADO DE CONDUCTOS**

1. Enchufar el cable en un receptáculo adecuado. Consultar las "Instrucciones de conexión a tierra".
2. Oprimir BEND (Curvar) o UNLOAD (Descargar) hasta que la zapata se encuentre de 5° a 10° antes del punto de inicio de 0°.
3. Cargar el conducto de manera que la marca de curvado quede alineada con el borde frontal del gancho de la zapata, tal como se ilustra.

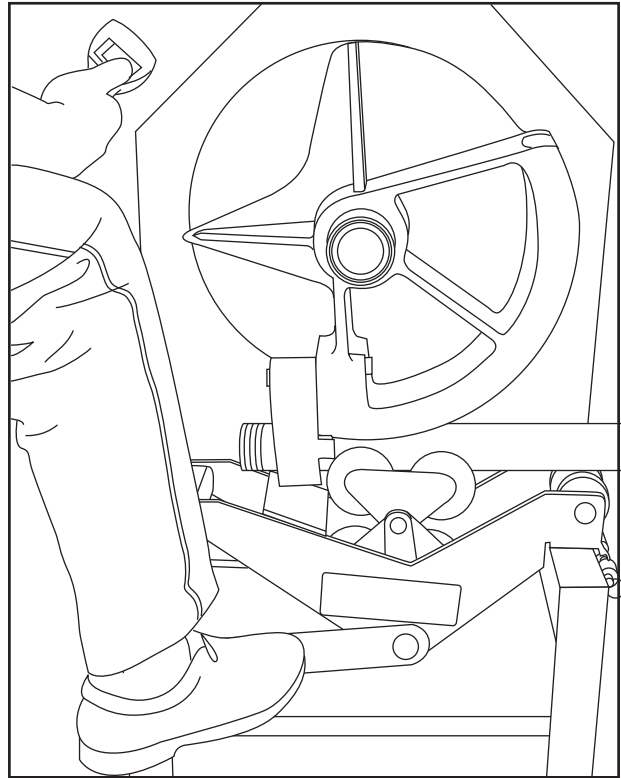
**Carga del conducto**

4. Consultar el adhesivo de instrucciones para conocer el ángulo de curvado correcto.

5. Curvar el conducto:

Si se está curvando un conducto EMT o IMC de 1-1/2 in a 2 in:

- a. Colocar un pie en el pedal de carga, tal como se muestra.



**Uso del pedal de carga
(solo para EMT o IMC de 1-1/2 in a 2 in)**

- b. Oprimir y mantener oprimido BEND (Curvar). La curvadora comenzará a accionar el soporte de bobina. Cuando el soporte de bobina entre en contacto con el tope, retirar el pie del pedal de carga.
- c. Soltar el interruptor conforme se alcance el ángulo de curvado deseado.
- d. Oprimir BEND (Curvar) momentáneamente hasta que finalice el curvado.

Si se está curvando cualquier otro tamaño o tipo de conducto:

- a. Oprimir y mantener oprimido BEND (Curvar).
 - b. Soltar el interruptor conforme se alcance el ángulo de curvado deseado.
 - c. Oprimir BEND (Curvar) momentáneamente hasta que finalice el curvado.
6. Oprimir UNLOAD (Descargar). La zapata girará en dirección contraria.
Nota: Si se está curvando un conducto EMT u IMC, la unidad de soporte de bobina regresará a su posición original.
 7. Torcer el conducto para liberarlo del gancho. Retirar el conducto.
 8. Oprimir y mantener oprimido UNLOAD (Descargar) hasta que la zapata haya girado hasta regresar a 0°.

Funcionamiento (cont.)

AJUSTE DEL APRIETE

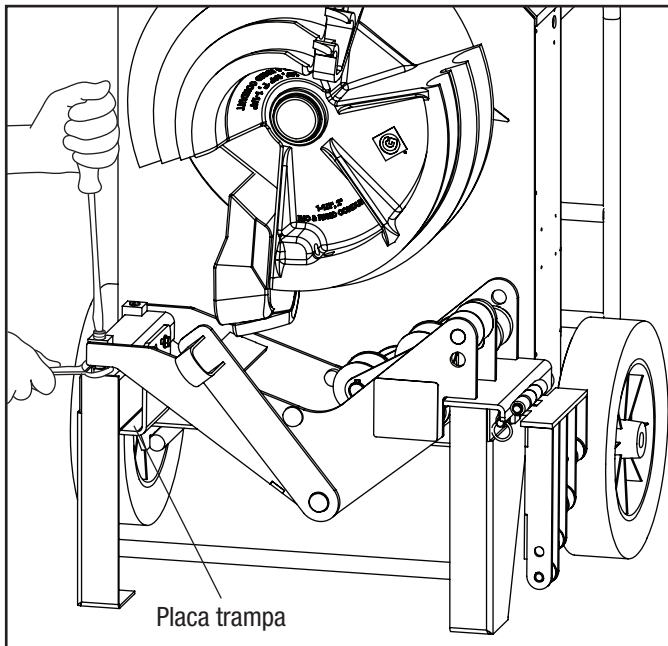
Cuando se esté curvando un conducto EMT o IMC de 1-1/2 in a 2 in, el soporte de bobina deberá estar accionado de manera que entre en contacto con el conducto; la presión contra el conducto es el “apriete”.

Debido a las variaciones en el conducto, el ajuste normal puede proporcionar demasiado o muy poco apriete. Si al curvarse el conducto desarrolla marcas laterales en exceso, el apriete es demasiado alto. Si el conducto desarrolla una forma ovalada o arrugas en exceso, el apriete es demasiado bajo.

1. Utilizar un destornillador para aflojar los tornillos de fijación.
2. Utilizar una llave para girar ambos pernos de ajuste 1/2 vuelta en sentido horario para AUMENTAR el apriete o 1/2 vuelta en sentido antihorario para DISMINUIR el apriete.

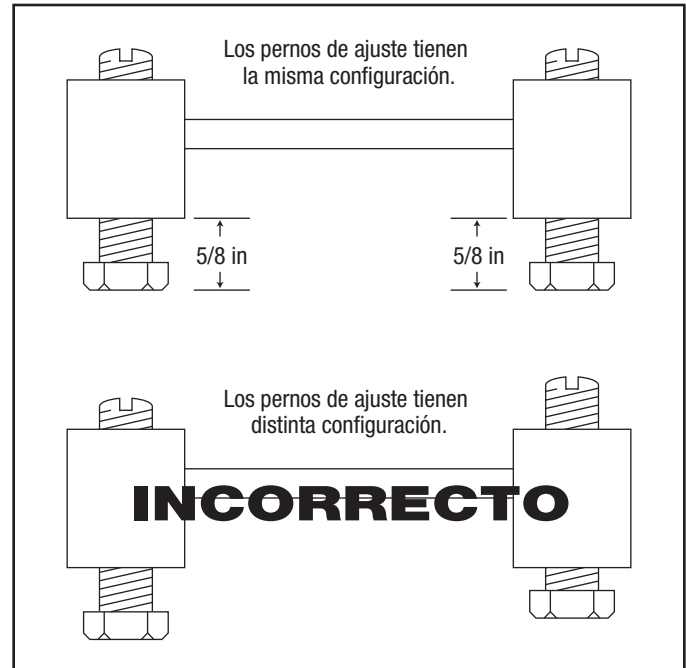
Nota: Para distribuir la carga uniformemente, ajustar ambos pernos al mismo ajuste. Ver la ilustración.

3. Apretar los tornillos de fijación.



Ajuste del apriete

Nota: El soporte de bobina de zapata individual IMC tiene una placa trampa que puede requerir un ajuste para permitir un aumento del apriete. Consultar los procedimientos de ajuste de la placa trampa en “Configuración”.

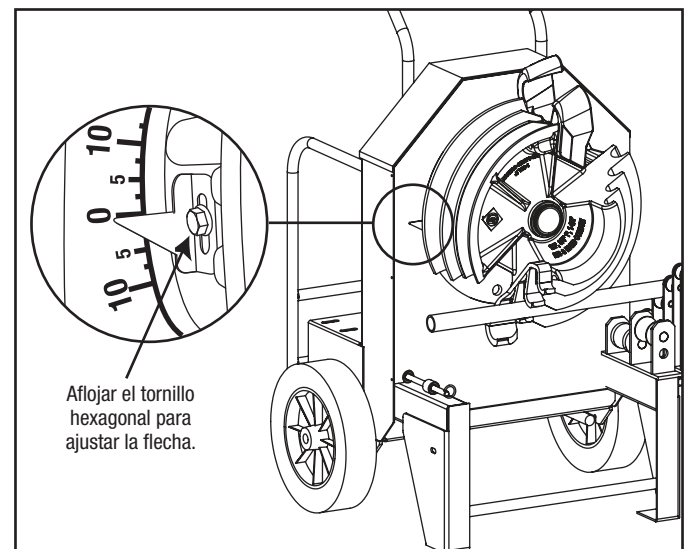


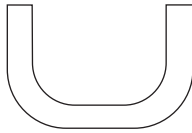
Ajuste de apriete estándar

AJUSTE DE FLECHA

Las flechas de las zapatas individuales pueden ajustarse para compensar las variaciones del conducto.

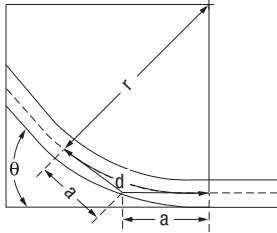
1. Cargar el conducto en la ranura adecuada de la zapata.
2. Presionar BEND (Curvar) momentáneamente hasta que la zapata gire lo suficiente para que el conducto esté ajustado en el gancho.
3. Verificar que la posición de la flecha esté alineada con 0° en la escala del transportador delantero. Si es necesario, aflojar el tornillo de cabeza hexagonal y ajustar la flecha para que se alinee con 0°. Volver a apretar el tornillo de cabeza hexagonal, como se muestra.



Glosario de curvado ilustrado


Curvado contiguo: cualquier curvado en forma de U formado por dos curvados paralelos de 90° con una sección recta de tubo portacables o tubería entre los curvados.

Distancia de centro a centro: la distancia entre los curvados sucesivos que conforman una desviación o silla de tres curvados.

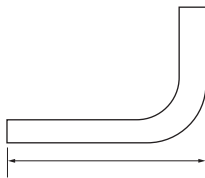


Longitud desarrollada: la longitud real del tubo que será curvado; consultar la distancia “d” en la ilustración a la izquierda.

Ganancia: la diferencia entre la distancia de línea recta ($a + a$) y la distancia radial más corta, (d) donde:

θ = ángulo de curvado

r = el radio de curvado de eje longitudinal de la zapata de curvado



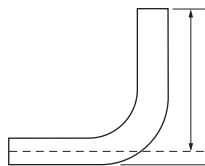
Desviación: curvado sencillo inferior a 90°

Longitud de la pata: la distancia desde el extremo de una sección recta de conducto o tubo hasta el curvado; medida desde el extremo hasta el borde exterior del conducto o tubo.



Curvado de desviación: dos curvados opuestos con el mismo grado de curvado; utilizado para esquivar un obstáculo.

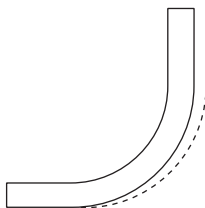
Altura de desviación: la distancia entre las dos patas de un curvado de desviación, medida de forma perpendicular a las dos patas; conocida también como cantidad de desviación o profundidad de desviación.



Elevación: la distancia desde el extremo de una sección recta del conducto o tubo hasta el curvado; medida desde el extremo hasta el eje longitudinal del conducto o tubo. Conocida también como codo o saliente.

Silla: una combinación de tres o cuatro curvados; utilizada para esquivar un obstáculo.

Contracción: la cantidad de conducto “que se pierde” cuando se tiene un curvado de desviación trabajando hacia el obstáculo.



Fuerza de retorno: la cantidad, medida en grados, que un conducto o tubería tiende a enderezarse luego del curvado.

Instrucciones de curvado

CODOS DE 90°

1. Medir la longitud necesaria del codo.
2. Consultar la fórmula de longitud mínima del codo en la tabla de deducción. El codo necesario debe ser igual o más largo que la longitud mínima del codo.
3. Medir y marcar la longitud del codo en el conducto. Esta es la marca 1. Restar la deducción de esta marca y hacer una marca nueva. Esta es la marca 2.
4. Alinear la marca 2 con el borde frontal del gancho y curvar el conducto.

Notas:

Cuando el operador oprime UNLOAD (Descargar), el conducto puede resistir el curvado y enderezarse unos grados. Compensar curvando unos grados más según se muestra en la tabla de lectura de escalas.

Las zapatas de los grupos 28007 y 37279 pueden hacer una curva de 180° en una sola vez. Todas las demás zapatas curvan a un máximo de 90°.

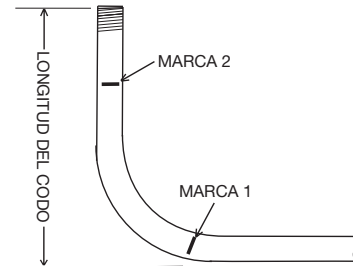
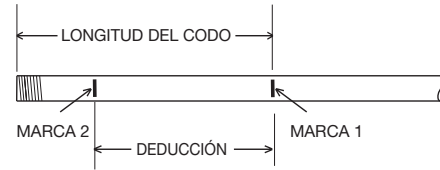


Tabla de deducción

TAMAÑO	1/2	3/4	1	1-1/4	1-1/2	2	
DEDUCCIÓN	RÍGIDO/PVC	7-1/2	9	11	14	14-1/4	16-1/8
	EMT	7	8-7/8	10-3/4	13-1/8	13-7/8	15-3/8
	IMC	7-1/2	9	11	14	13-3/4	15-1/4
LONGITUD MÍNIMA DEL CODO = DEDUCCIÓN MÁS 2 PULGADAS							

Las cifras son aproximadas.

Tabla de lectura de escalas

TAMAÑO DEL CONDUCTO	RÍGIDO					EMT					IMC					RECUBIERTO DE PVC				
	15°	30°	45°	60°	90°	15°	30°	45°	60°	90°	15°	30°	45°	60°	90°	15°	30°	45°	60°	90°
1/2	18-3/4	35	50	66-1/4	96-1/4	16-1/4	32-1/2	47-1/2	63-3/4	95	20	36-1/4	51-1/4	67-1/2	98-3/4	17-1/2	33-3/4	48-3/4	65	95
3/4	17-1/2	32-1/2	47-1/2	63-3/4	95	17-1/2	33-3/4	48-3/4	63-3/4	95	20	36-1/4	51-1/4	67-1/2	97-1/2	17-1/2	33-3/4	48-3/4	63-3/4	95
1	17-1/2	33-3/4	48-3/4	65	95	17-1/2	32-1/2	48-3/4	65	95	21-1/4	36-1/4	51-1/4	66-1/4	97-1/2	17-1/2	32-1/2	47-1/2	63-3/4	95
1-1/4	18-3/4	33-3/4	48-3/4	63-3/4	95	17-1/2	33-3/4	48-3/4	65	95	18-3/4	33-3/4	50	65	96-1/4	18-3/4	33-3/4	50	65	95
1-1/2	18-3/4	33-3/4	48-3/4	65	95	16-1/4	31-1/4	46-1/4	61-1/4	92-1/2	17-1/2	33-3/4	48-3/4	63-3/4	95	18-3/4	33-3/4	48-3/4	65	95
2	20	35	48-3/4	63-3/4	96-1/4	17-1/2	33-3/4	48-3/4	63-3/4	95	20	35	50	65	96-1/4	20	35	48-3/4	63-3/4	96-1/4

Las cifras son aproximadas.

Tabla de lectura de escalas: Grupos de zapatas individuales

TAMAÑO DEL CONDUCTO	RÍGIDO					EMT					IMC					RÍGIDO RECUBIERTO DE PVC				
	15°	30°	45°	60°	90°	15°	30°	45°	60°	90°	15°	30°	45°	60°	90°	15°	30°	45°	60°	90°
1/2	17	33	49	64	96	16	32	48	63	95	20	36	51	67	98	16	31	47	62	93
3/4	17	33	48	64	95	17	33	48	64	95	19	35	50	66	97	15	31	46	62	93
1	17	32	48	63	94	17	32	48	63	94	19	35	50	66	97	16	32	47	63	94
1-1/4	17	32	48	63	94	17	32	48	63	94	19	35	50	66	97	15	30	46	61	92
1-1/2	17	32	48	63	94	19	35	50	66	97	17	33	49	64	96	18	33	49	64	95
2	17	32	48	63	94	19	34	50	65	96	19	34	50	65	96	19	34	50	65	96

Las cifras son aproximadas. Nota: Debido a las diferentes propiedades del material de los conductos, los rígidos de aluminio de 1-1/2 in o 2 in pueden requerir rodillos de apriete IMC para el curvado. Si se produce un aplastamiento, reducir el ajuste de apriete dos posiciones y utilizar los procedimientos de curvado de IMC.

Instrucciones de curvado (cont.)

Desviaciones

1. Medir la altura y la longitud del obstáculo. Seleccionar el ángulo que se va a utilizar.
2. Consultar la Tabla de desviación. La altura del obstáculo debe ser igual o mayor que la desviación mínima.
3. Consultar la Tabla X para encontrar la dimensión X. Consultar la tabla de desviación para encontrar la distancia de centro a centro.
Nota: Si no se muestra la distancia de centro a centro, calcularla utilizando los multiplicadores que aparecen en la tabla de desviación.
4. Hacer una marca en el conducto tal como se muestra.
5. Introducir el conducto en la curvadora. Alinear la marca 1 con el borde frontal del gancho y curvar el conducto.
6. Alinear la marca de curvado 2 con el borde frontal del gancho. Sin retirar el conducto de la curvadora, girar el conducto 180°. Hacer el segundo curvado.

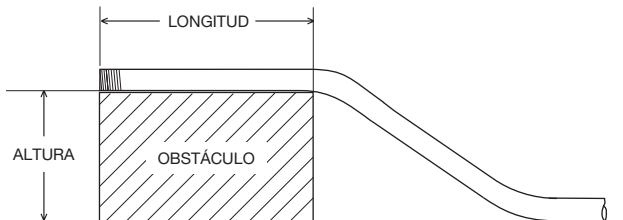


Tabla de desviación

DESVIACIÓN ▶		2	4	6	8	10
15°	Tamaño máximo del conducto	3/4	1-1/2	2		
	Centro a centro	7-3/4	15-7/16	23-3/16	30-15/16	38-5/8
30°	Tamaño máximo del conducto		3/4	1	1-1/2	2
	Centro a centro		8	12	16	20
45°	Tamaño Máximo del conducto			1/2	1	1-1/4
	Centro a centro			8-1/2	11-5/16	14-1/8

DESVIACIÓN ▶		12	14	16	18	20	22
15°	Tamaño máximo del conducto	2					
	Centro a centro	46-3/8	54-1/16	61-13/16	69-9/16	77-1/4	85
30°	Tamaño máximo del conducto	2					
	Centro a centro	24	28	32	36	40	44
45°	Tamaño máximo del conducto	1-1/2	2				
	Centro a centro	16-15/16	19-13/16	22-5/8	25-7/16	28-1/4	31-1/8

DISTANCIA DE CENTRO A CENTRO = ALTURA DE DESVIACIÓN x MULTIPLICADOR					
ÁNGULO DE DESVIACIÓN	10°	15°	22-1/2°	30°	45°
MULTIPLICADOR	5,8	3,9	2,6	2,0	1,4

Las cifras son aproximadas

Tabla X

TAMAÑO DEL CONDUCTO	1/2	3/4	1	1-1/4	1-1/2	2
"X"	3-1/16	3-1/16	3-3/16	4	4-1/4	4-1/2

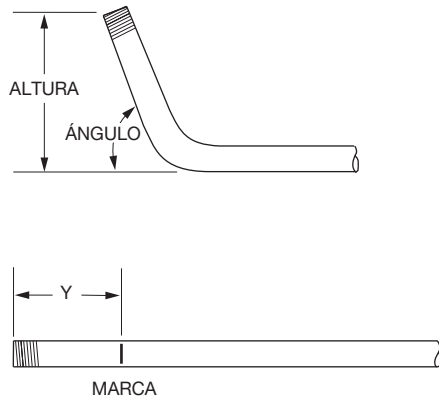
Las cifras son aproximadas

Instrucciones de curvado adicionales

Las siguientes ilustraciones y tablas de curvado tienen como propósito proporcionar la información necesaria para obtener los tipos de curvados más comunes. Las Tablas de curvado incluyen información para hacer marcas en los conductos.

CODOS

1. Seleccionar el tamaño y el tipo de conducto. Determinar la altura del codo y el ángulo que se va a utilizar.
2. Encontrar la tabla que corresponda al tamaño y tipo de conducto seleccionado en el paso 1.
3. En la columna titulada **ÁNGULO**, buscar el ángulo apropiado.
4. Encontrar la fila titulada **Y**. En la fila de la parte superior de la página, buscar la altura (A) del codo. El número mostrado donde se intersectan la fila Y y la columna A es la distancia Y. Colocar la marca de curvado a Y centímetros del extremo del conducto.
5. Curvar el conducto.



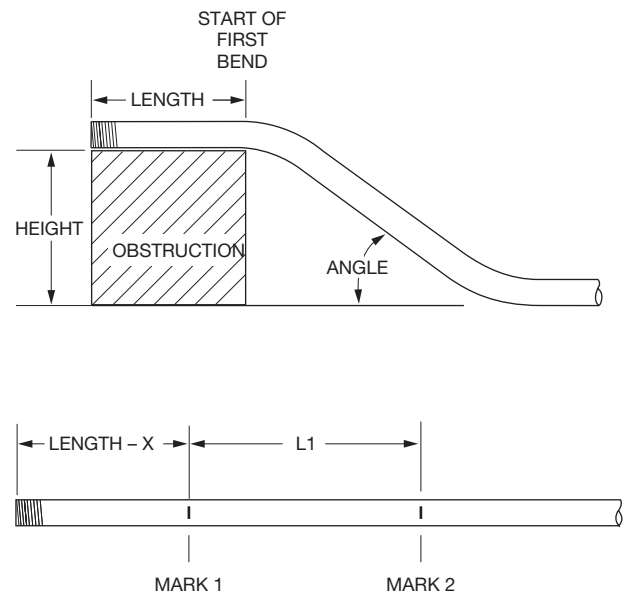
DESVIACIONES

Se utiliza una desviación para encaminar el conducto alrededor de un obstáculo. Para realizar una desviación, se requieren dos curvados iguales. La distancia entre dos curvados es la distancia de centro a centro.

Al sobrepasar un obstáculo, será necesario determinar la ubicación del primer curvado. Entonces, se utiliza la distancia de centro a centro para determinar la ubicación del segundo curvado. Al avanzar hacia un obstáculo, será necesario determinar la ubicación del segundo curvado. Entonces, se utiliza la distancia de centro a centro para determinar la ubicación del primer curvado.

Para sobrepasar un obstáculo

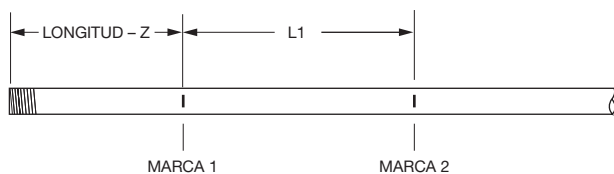
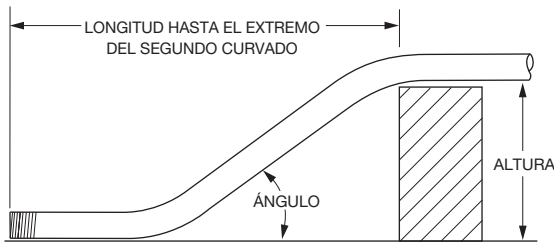
1. Seleccionar el tamaño y el tipo de conducto. Medir la altura del obstáculo y la distancia titulada **LONGITUD**. Determinar el ángulo que se va a utilizar.
2. Encontrar la tabla que corresponda al tamaño y tipo de conducto seleccionado en el paso 1.
3. A la derecha del tamaño y tipo de conducto, buscar la dimensión titulada **X**. Restar X de **LONGITUD**. Colocar la primera marca de curvado a esta distancia del extremo del conducto.
4. En la columna titulada **ÁNGULO**, buscar el ángulo apropiado. Encontrar la fila titulada **L1**. En la fila de la parte superior de la página, buscar la altura (A) de la desviación. El número mostrado donde se intersectan la fila L1 y la columna A es L1. Colocar la segunda marca de curvado a L1 pulgadas de la primera marca de curvado.
5. Curvar el conducto.



Instrucciones de curvado adicionales (cont.)

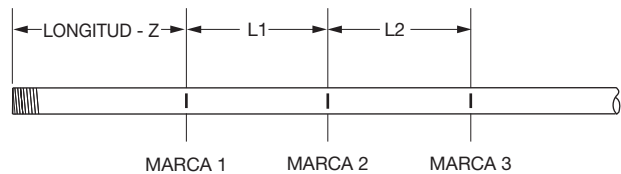
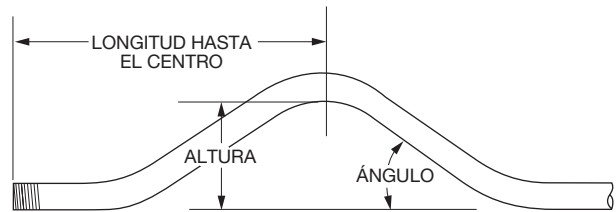
Cómo avanzar hacia un obstáculo

1. Seleccionar el tamaño y el tipo de conducto. Medir la altura del obstáculo y la distancia titulada LONGITUD HASTA EL EXTREMO DEL SEGUNDO CURVADO. Determinar el ángulo que se va a utilizar.
2. Encontrar la tabla que corresponda al tamaño y tipo de conducto seleccionado en el paso 1.
3. En la columna titulada ÁNGULO, buscar el ángulo apropiado. Encontrar la fila titulada Z. En la fila de la parte superior de la página, buscar la altura (A) de la desviación. El número mostrado donde se cruzan la fila Z y la columna A es Z. Restar Z de LONGITUD HACIA EL EXTREMO DEL SEGUNDO CURVADO. Colocar la primera marca de curvado a esta distancia del extremo del conducto.
4. En la misma columna, buscar la fila titulada L1. Colocar la segunda marca de curvado a L1 pulgadas de la primera marca de curvado.
5. Curvar el conducto.



SILLA DE TRES CURVADOS

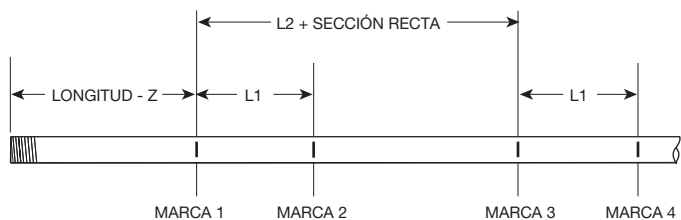
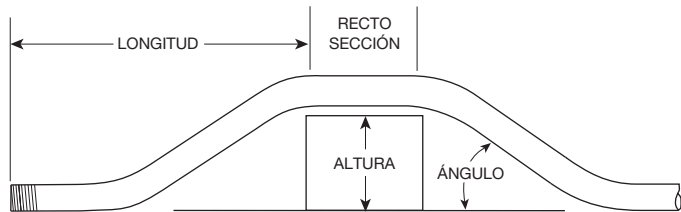
1. Seleccionar el tamaño y el tipo de conducto. Medir la altura del obstáculo y la distancia desde el extremo del conducto al centro (LONGITUD AL CENTRO) del curvado. Determinar el ángulo que se va a utilizar.
2. Encontrar la tabla que corresponda al tamaño y tipo de conducto seleccionado en el paso 1.
3. En la columna titulada ÁNGULO, buscar el ángulo apropiado. Encontrar la fila titulada Z. En la fila de la parte superior de la página, buscar la altura (A) de la desviación. El número mostrado donde se intersectan la fila Z y la columna A apropiada es Z. Restar Z de LONGITUD HASTA EL CENTRO. Colocar la primera marca de curvado a esta distancia del extremo del conducto.
4. En la misma columna, buscar la fila titulada L1. Colocar la segunda marca de curvado a L1 pulgadas de la primera marca de curvado.
5. En la misma columna, buscar la fila titulada L2. Colocar la tercera marca de curvado a L2 pulgadas de la segunda marca de curvado.
6. Curvar el conducto.



Instrucciones de curvado adicionales (cont.)

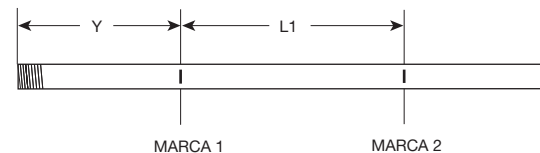
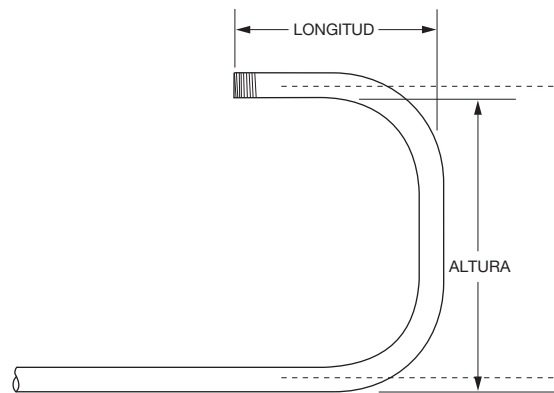
SILLA DE CUATRO CURVADOS

1. Seleccionar el tamaño y el tipo de conducto. Medir la altura del obstáculo, la distancia titulada LONGITUD y la distancia titulada SECCIÓN RECTA. Determinar el ángulo que se va a utilizar.
2. Encontrar la tabla que corresponda al tamaño y tipo de conducto seleccionado en el paso 1.
3. En la columna titulada **ÁNGULO**, buscar el ángulo apropiado. Encontrar la fila titulada **Z**. En la fila de la parte superior de la página, buscar la altura (**A**) de la desviación. El número mostrado donde se intersectan la fila **Z** y la columna **A** apropiada es **Z**. Restar **Z** de **LONGITUD**. Colocar la primera marca de curvado a esta distancia del extremo del conducto.
4. En la misma columna, buscar la fila titulada **L1**. Colocar la segunda marca de curvado a **L1** pulgadas de la primera marca de curvado.
5. En la misma columna, buscar la fila titulada **L2**. Añadir **L2** a la **SECCIÓN RECTA**. Colocar la tercera marca de curvado a esta distancia de la primera marca de curvado.
6. Colocar la última marca de curvado a **L1** pulgadas de la tercera marca de curvado.
7. Curvar el conducto.



CURVADOS EN FORMA DE U

1. Seleccionar el tamaño y el tipo de conducto. Determinar la **LONGITUD** y la **ALTURA**.
2. Encontrar la tabla que corresponda al tamaño y tipo de conducto seleccionado en el paso 1.
3. En la columna titulada **ÁNGULO**, buscar **90°**.
4. Encontrar la fila titulada **Y**. En la fila de la parte superior de la página, buscar la altura (**A**) que corresponde a la **LONGITUD**. El número que aparece en la intersección de la fila **Y** y la columna **A** correspondiente es la distancia **Y**. Colocar la marca de curvado a **Y** pulgadas del extremo del conducto.
5. Encontrar la fila titulada **L1**; luego ir a la derecha y encuentre la altura (**A**) que corresponde a la **ALTURA**.
6. El número mostrado donde se intersectan la fila **L1** y la columna **A** apropiada es **L1**. Colocar la segunda marca de curvado a **L1** pulgadas de la primera marca.
7. Curvar el conducto.



Tablas de curvado adicionales

	DIMENSIÓN	ÁNGULO	2 in	4 in	6 in	8 in	10 in	12 in	15 in	18 in	24 in	36 in
EMT de 1/2 in												
	Y	15	3,74	11,47	19,20	26,92	34,65	42,38	53,97	65,56	88,74	135,11
	L1	15	7,72	15,45	23,18	30,90	38,63	46,36	57,95	69,54	92,72	139,09
	L2	15	8,94	16,66	24,39	32,12	39,84	47,57	59,16	70,75	93,94	140,30
	Z	15	10,70	18,16	25,62	33,09	40,55	48,02	59,21	70,41	92,80	137,59
ALTURA MÍNIMA = 0,84												
	Y	22,5	1,37	6,60	11,82	17,05	22,28	27,50	35,34	43,18	58,86	90,22
	L1	22,5	5,20	10,43	15,65	20,88	26,11	31,33	39,17	47,01	62,69	94,05
	L2	22,5	7,02	12,25	17,48	22,70	27,93	33,16	41,00	48,83	64,51	95,87
	Z	22,5	8,68	13,51	18,34	23,17	28,00	32,83	40,07	47,31	61,80	90,77
ALTURA MÍNIMA = 1,48												
	Y	30	0,04	4,04	8,04	12,04	16,04	20,04	26,04	32,04	44,04	68,04
	L1	30		7,94	11,94	15,94	19,94	23,94	29,94	35,94	47,94	71,94
	L2	30		10,37	14,37	18,37	22,37	26,37	32,37	38,37	50,37	74,37
	Z	30		11,42	14,89	18,35	21,82	25,28	30,48	35,67	46,07	66,85
ALTURA MÍNIMA = 2,25												
	Y	45		1,23	4,05	6,88	9,71	12,54	16,78	21,02	29,51	46,48
	L1	45			8,29	11,11	13,94	16,77	21,01	25,26	33,74	50,71
	L2	45			11,93	14,76	17,59	20,42	24,66	28,90	37,39	54,36
	Z	45			11,85	13,85	15,85	17,85	20,85	23,85	29,85	41,85
ALTURA MÍNIMA = 4,14												
	Y	60			1,83	4,14	6,45	8,76	12,22	15,69	22,62	36,47
	L1	60				8,74	11,05	13,36	16,82	20,29	27,21	41,07
	L2	60				13,60	15,91	18,22	21,68	25,14	32,07	45,93
	Z	60				11,99	13,14	14,30	16,03	17,76	21,22	28,15
ALTURA MÍNIMA = 6,38												
	Y	90				1,00	3,00	5,00	8,00	11,00	17,00	29,00
	L1	90						10,01	13,01	16,01	22,01	34,01
	L2	90						17,30	20,30	23,30	29,30	41,30
	Z	90						11,29	11,29	11,29	11,29	11,29
ALTURA MÍNIMA = 11,29												
EMT de 3/4 in												
	Y	15	2,35	10,07	17,80	25,53	33,26	40,98	52,58	64,17	87,35	133,71
	L1	15	7,72	15,45	23,17	30,90	38,63	46,36	57,95	69,54	92,72	139,08
	L2	15	9,17	16,90	24,62	32,35	40,08	47,81	59,40	70,99	94,17	140,54
	Z	15	11,79	19,26	26,72	34,19	41,65	49,11	60,31	71,51	93,90	138,68
ALTURA MÍNIMA = 1,12												
	Y	22,5	0,05	5,28	10,50	15,73	20,95	26,18	34,02	41,86	57,54	88,90
	L1	22,5	5,20	10,42	15,65	20,88	26,10	31,33	39,17	47,01	62,69	94,04
	L2	22,5	7,37	12,60	17,83	23,05	28,28	33,50	41,34	49,18	64,86	96,22
	Z	22,5	9,90	14,73	19,56	24,39	29,22	34,04	41,29	48,53	63,02	91,99
ALTURA MÍNIMA = 1,94												
	Y	30		2,72	6,72	10,72	14,72	18,72	24,72	30,72	42,72	66,72
	L1	30		7,93	11,93	15,93	19,93	23,93	29,93	35,93	47,93	71,93
	L2	30		10,83	14,83	18,83	22,83	26,83	32,83	38,83	50,83	74,83
	Z	30		12,77	16,23	19,70	23,16	26,62	31,82	37,02	47,41	68,19
ALTURA MÍNIMA = 2,92												
	Y	45			2,67	5,50	8,33	11,15	15,40	19,64	28,12	45,09
	L1	45			8,25	11,08	13,90	16,73	20,97	25,22	33,70	50,67
	L2	45			12,60	15,43	18,25	21,08	25,33	29,57	38,05	55,02
	Z	45			13,46	15,46	17,46	19,46	22,46	25,46	31,46	43,46
ALTURA MÍNIMA = 5,27												
	Y	60			0,33	2,64	4,95	7,26	10,72	14,18	21,11	34,97
	L1	60					10,95	13,26	16,72	20,19	27,12	40,97
	L2	60					16,75	19,06	22,53	25,99	32,92	46,78
	Z	60					15,04	16,20	17,93	19,66	23,12	30,05
ALTURA MÍNIMA = 8,03												
	Y	90					1,13	3,13	6,13	9,13	15,13	27,13
	L1	90							*12,62	15,62	21,62	33,62
	L2	90							21,32	24,32	30,32	42,32
	Z	90							13,95	13,95	13,95	13,95
ALTURA MÍNIMA = 13,95*												

*ALTURA MÍNIMA en codos en U = 16,25 en zapata individual EMT

Tablas de curvado adicionales (cont.)

	DIMENSIÓN	ÁNGULO	2 in	4 in	6 in	8 in	10 in	12 in	15 in	18 in	24 in	36 in
EMT de 1 in												
	Y	15	1,35	9,07	16,80	24,53	32,26	39,98	51,57	63,16	86,35	132,71
	L1	15	7,72	15,44	23,17	30,90	38,63	46,35	57,95	69,54	92,72	139,08
	L2	15	9,54	17,26	24,99	32,72	40,45	48,17	59,76	71,36	94,54	140,90
	Z	15	12,51	19,98	27,44	34,91	42,37	49,83	61,03	72,23	94,62	139,40
ALTURA MÍNIMA = 1,31												
	Y	22,5		4,33	9,56	14,78	20,01	25,24	33,07	40,91	56,59	87,95
	L1	22,5		10,42	15,64	20,87	26,10	31,32	39,16	47,00	62,68	94,04
	L2	22,5		13,15	18,37	23,60	28,82	34,05	41,89	49,73	65,41	96,77
	Z	22,5		15,64	20,47	25,30	30,13	34,96	42,20	49,44	63,93	92,90
ALTURA MÍNIMA = 2,29												
	Y	30		1,75	5,75	9,75	13,75	17,75	23,75	29,75	41,75	65,75
	L	30		7,91	11,91	15,91	19,91	23,91	29,91	35,91	47,91	71,91
	L2	30		11,55	15,55	19,55	23,55	27,55	33,55	39,55	51,55	75,55
	Z	30		13,87	17,34	20,80	24,27	27,73	32,92	28,12	48,51	69,30
ALTURA MÍNIMA = 3,47												
	Y	45			1,56	4,39	7,22	10,05	14,29	18,53	27,02	43,99
	L1	45				11,01	13,84	16,67	20,91	25,16	33,64	50,61
	L2	45				16,47	19,30	22,13	26,37	30,62	39,10	56,07
	Z	45				16,98	18,98	20,98	23,98	26,98	32,98	44,98
ALTURA MÍNIMA = 6,35												
	Y	60				1,33	3,64	5,95	9,42	12,88	19,81	33,67
	L1	60					10,80	13,11	16,57	20,04	26,97	40,82
	L2	60					18,08	20,39	23,85	27,32	34,24	48,10
	Z	60					17,02	18,17	19,91	21,64	25,10	32,03
ALTURA MÍNIMA = 9,74												
	Y	90						1,25	4,25	7,25	13,25	25,25
	L1	90								15,02	21,02	33,02
	L2	90								25,93	31,93	43,93
	Z	90								17,12	17,12	17,12
ALTURA MÍNIMA = 17,12												
EMT de 1-1/4 in												
	Y	15	0,26	7,99	15,72	23,45	31,17	38,90	50,49	62,08	85,27	131,63
	L1	15	7,71	15,44	23,17	30,90	38,62	46,35	57,94	69,53	92,72	139,08
	L2	15	10,07	17,80	25,52	33,25	40,98	48,71	60,30	71,89	95,07	141,44
	Z	15	13,20	20,66	28,12	35,59	43,05	50,52	61,71	72,91	95,30	140,09
ALTURA MÍNIMA = 1,48												
	Y	22,5		3,33	8,55	13,78	19,01	24,23	32,07	39,91	55,59	86,95
	L1	22,5		10,41	15,63	20,86	26,09	31,31	39,15	46,99	62,67	94,03
	L2	22,5		13,94	19,17	24,40	29,62	34,85	42,69	50,53	66,21	97,56
	Z	22,5		16,60	21,43	26,26	31,09	35,91	43,16	50,40	64,89	93,86
ALTURA MÍNIMA = 2,66												
	Y	30		0,72	4,72	8,72	12,72	16,72	22,72	28,72	40,72	64,72
	L1	30			11,89	15,89	19,89	23,89	29,89	35,89	47,89	71,89
	L2	30			16,61	20,61	24,61	28,61	34,61	40,61	52,61	76,61
	Z	30			18,58	22,04	25,51	28,97	34,17	39,37	49,76	70,54
ALTURA MÍNIMA = 4,09												
	Y	45			0,33	3,15	5,98	8,81	13,05	17,30	25,78	42,75
	L1	45				10,93	13,75	16,58	20,83	25,07	33,55	50,52
	L2	45				18,00	20,83	23,66	27,90	32,14	40,63	57,60
	Z	45				18,82	20,82	22,82	25,82	28,82	34,82	46,82
ALTURA MÍNIMA = 7,65												
	Y	60					2,11	4,42	7,89	11,35	18,28	32,14
	L1	60						12,89	16,35	19,82	26,74	40,60
	L2	60						22,32	25,79	29,25	36,18	50,04
	Z	60						20,69	22,42	24,16	27,62	34,55
ALTURA MÍNIMA = 11,92												
	Y	90							1,88	4,88	10,88	22,88
	L1	90									20,13	32,13
	L2	90									34,29	46,29
	Z	90									21,38	21,38
ALTURA MÍNIMA = 21,38												

Tablas de curvado adicionales (cont.)

	DIMENSIÓN	ÁNGULO	2 in	4 in	6 in	8 in	10 in	12 in	15 in	18 in	24 in	36 in
EMT de 1-1/2 in												
	Y	15		6,26	13,99	21,72	29,44	37,17	48,76	60,35	83,53	129,90
	L1	15	7,71	15,44	23,17	30,90	38,62	46,35	57,94	69,53	92,72	139,08
	L2	15	9,95	17,68	25,40	33,13	40,86	48,58	60,18	71,77	94,95	141,31
	Z	15	14,42	21,88	29,35	36,81	44,28	51,74	62,94	74,13	96,53	141,31
ALTURA MÍNIMA = 1,81												
	Y	22,5		1,77	7,00	12,22	17,45	22,68	30,52	38,36	54,03	85,39
	L1	22,5		10,41	15,64	20,86	26,09	31,31	39,15	46,99	62,67	94,03
	L2	22,5		13,76	18,98	24,21	29,44	34,66	42,50	50,34	66,02	97,38
	Z	22,5		17,76	22,59	27,42	32,25	37,07	44,32	51,56	66,04	95,02
ALTURA MÍNIMA = 3,11												
	Y	30			3,26	7,26	11,26	15,26	21,26	27,26	39,26	63,26
	L1	30			11,90	15,90	19,90	23,90	29,90	35,90	47,90	71,90
	L2	30			16,36	20,36	24,36	28,36	34,36	40,36	52,36	76,36
	Z	30			19,67	23,14	26,60	30,07	35,26	40,46	50,85	71,64
ALTURA MÍNIMA = 4,64												
	Y	45				1,84	4,67	7,50	11,74	15,98	24,47	41,44
	L1	45					13,78	16,60	20,85	25,09	33,57	50,54
	L2	45					20,47	23,30	27,55	31,79	40,27	57,24
	Z	45					21,78	23,78	26,78	29,78	35,78	47,78
ALTURA MÍNIMA = 8,33												
	Y	60					0,91	3,22	6,68	10,15	17,07	30,93
	L1	60							16,40	19,87	26,80	40,65
	L2	60							25,34	28,80	35,73	49,58
	Z	60							23,22	24,95	28,42	35,34
ALTURA MÍNIMA = 12,61												
	Y	90							0,89	3,89	9,89	21,89
	L1	90									20,34	32,34
	L2	90									33,74	45,74
	Z	90									21,77	21,77
ALTURA MÍNIMA = 21,77												
EMT de 2 in												
	Y	15		5,15	12,87	20,60	28,33	36,05	47,65	59,24	82,42	128,78
	L1	15	7,71	15,44	23,17	30,90	38,62	46,35	57,94	69,53	92,71	139,08
	L2	15	10,19	17,92	25,64	33,37	41,10	48,83	60,42	72,01	95,19	141,56
	Z	15	14,77	22,24	29,70	37,17	44,63	52,10	63,29	74,49	96,88	141,66
ALTURA MÍNIMA = 1,89												
	Y	22,5		0,88	6,11	11,33	16,56	21,79	29,62	37,46	53,14	84,50
	L1	22,5		10,40	15,63	20,86	26,08	31,31	39,15	46,99	62,67	94,02
	L2	22,5		14,12	19,35	24,57	29,80	35,02	42,86	50,70	66,38	97,74
	Z	22,5		18,24	23,07	27,90	32,73	37,55	44,80	52,04	66,52	95,50
ALTURA MÍNIMA = 3,28												
	Y	30			2,45	6,45	10,45	14,45	20,45	26,45	38,45	62,45
	L1	30			11,88	15,88	19,88	23,88	29,88	35,88	47,88	71,88
	L2	30			16,84	20,84	24,84	28,84	34,84	40,84	52,84	76,84
	Z	30			20,28	23,75	27,21	30,67	35,87	41,07	51,46	72,24
ALTURA MÍNIMA = 4,94												
	Y	45				1,02	3,85	6,68	10,92	15,16	23,65	40,62
	L1	45					13,74	16,56	20,81	25,05	33,53	50,50
	L2	45					21,16	23,99	28,24	32,48	40,96	57,93
	Z	45					22,66	24,66	27,66	30,66	36,66	48,66
ALTURA MÍNIMA = 8,95												
	Y	60					0,00	2,31	5,77	9,23	16,16	30,02
	L1	60							16,30	19,77	26,70	40,55
	L2	60							26,21	29,67	36,60	50,46
	Z	60							24,40	26,14	29,60	36,53
ALTURA MÍNIMA = 13,63												
	Y	90								2,62	8,62	20,62
	L1	90									19,94	31,94
	L2	90									34,80	46,80
	Z	90									23,74	23,74
ALTURA MÍNIMA = 23,74												

Tablas de curvado adicionales (cont.)

DIMENSIÓN	ÁNGULO	2 in	4 in	6 in	8 in	10 in	12 in	15 in	18 in	24 in	36 in	
IMC rígido de 1/2 in y rígido recubierto de PVC de 40 mil												
	Y	15	3,03	10,76	18,48	26,21	33,94	41,67	53,26	64,85	88,03	134,39
	L1	15	7,72	15,45	23,18	30,90	38,63	46,36	57,95	69,54	92,72	139,09
	L2	15	8,87	16,59	24,32	32,05	39,78	47,50	59,10	70,69	93,87	140,23
	Z	15	11,12	18,58	26,05	33,51	40,97	48,44	59,63	70,83	93,22	138,01
ALTURA MÍNIMA = 0,95												
	Y	22,5	,77	5,98	11,21	16,44	21,66	26,89	34,73	42,57	58,25	89,60
	L1	22,5	5,20	10,43	15,66	20,88	26,11	31,34	39,17	47,01	62,69	94,05
	L2	22,5	6,92	12,15	17,38	22,60	27,83	33,06	40,89	48,73	64,41	95,77
	Z	22,5	9,07	13,90	18,73	23,56	28,38	33,21	40,46	47,70	62,18	91,15
ALTURA MÍNIMA = 1,62												
	Y	30		3,49	7,49	11,49	15,49	19,49	25,49	31,49	43,49	67,49
	L1	30		7,95	11,95	15,95	19,95	23,95	29,95	35,95	47,95	71,95
	L2	30		10,24	14,24	18,24	22,24	26,24	32,24	38,24	50,24	74,24
	Z	30		11,78	15,24	18,70	22,17	25,63	30,83	36,02	46,42	67,20
ALTURA MÍNIMA = 2,42												
	Y	45			3,59	6,41	9,23	12,06	16,30	20,55	29,03	46,00
	L1	45			8,30	11,13	13,95	16,78	21,02	25,27	33,75	50,72
	L2	45			11,74	14,57	17,39	20,22	24,46	28,71	37,19	54,16
	Z	45			12,13	14,13	16,13	18,13	21,13	24,13	30,13	42,13
ALTURA MÍNIMA = 4,33												
	Y	60			1,42	3,73	6,04	8,34	11,81	15,27	22,20	36,06
	L1	60				8,77	11,08	13,39	16,85	20,31	27,24	41,10
	L2	60				13,35	15,66	17,97	21,44	24,90	31,83	45,69
	Z	60				12,18	13,33	14,49	16,22	17,95	21,41	28,34
ALTURA MÍNIMA = 6,55												
	Y	90				,71	2,71	4,71	7,71	10,71	16,70	28,70
	L1	90						10,12	13,12	16,12	22,12	34,12
	L2	90						17,00	20,00	23,00	29,00	41,00
	Z	90						11,26	11,26	11,26	11,26	11,26
ALTURA MÍNIMA = 11,26												
IMC rígido de 3/4 in y rígido recubierto de PVC de 40 mil												
	Y	15	1,86	9,58	17,31	25,04	32,77	40,49	52,08	63,68	86,86	133,22
	L1	15	7,72	15,45	23,17	30,90	38,63	46,36	57,95	69,54	92,72	139,08
	L2	15	9,19	16,91	24,64	32,37	40,09	47,82	59,41	71,00	94,19	140,55
	Z	15	12,06	19,53	26,89	34,46	41,92	49,38	60,58	71,78	94,17	138,95
ALTURA MÍNIMA = 1,19												
	Y	22,5		4,85	10,08	15,31	20,53	25,76	33,60	41,44	57,12	88,47
	L1	22,5		10,42	15,65	20,88	26,10	31,33	39,17	47,01	62,69	94,04
	L2	22,5		12,62	17,85	23,08	28,30	33,53	41,37	49,21	64,89	96,24
	Z	22,5		15,01	19,84	24,67	29,49	34,32	41,57	48,81	63,29	92,26
ALTURA MÍNIMA = 2,05												
	Y	30		2,33	6,33	10,33	14,33	18,33	24,33	30,33	42,33	66,33
	L1	30		7,93	11,93	15,93	19,93	23,93	29,93	35,93	47,93	71,93
	L2	30		10,86	14,86	18,86	22,86	26,86	32,86	38,86	50,86	74,86
	Z	30		13,05	16,52	19,98	23,45	26,91	32,11	37,30	47,70	68,48
ALTURA MÍNIMA = 3,06												
	Y	45			2,31	5,13	7,96	10,79	15,03	19,28	27,76	44,73
	L1	45			8,24	11,07	13,90	16,73	20,97	25,21	33,70	50,67
	L2	45			12,64	15,47	18,30	21,13	25,37	29,61	38,10	55,07
	Z	45			13,76	15,76	17,76	19,76	22,76	25,76	31,76	43,76
ALTURA MÍNIMA = 5,49												
	Y	60				2,28	4,59	6,90	10,36	13,83	20,75	34,61
	L1	60					10,94	13,25	16,72	20,18	27,11	40,97
	L2	60					16,81	19,12	22,58	26,05	32,98	46,83
	Z	60					15,36	16,52	18,25	19,88	23,45	30,38
ALTURA MÍNIMA = 8,31												
	Y	90					0,76	2,76	5,76	8,76	14,76	26,76
	L1	90							*12,60	15,60	21,60	33,60
	L2	90							21,39	24,39	30,39	42,39
	Z	90							14,33	14,33	14,33	14,33
ALTURA MÍNIMA = 14,33*												

*ALTURA MÍNIMA en codos en U = 16,62 en zapata individual

Tablas de curvado adicionales (cont.)

DIMENSIÓN	ÁNGULO	2 in	4 in	6 in	8 in	10 in	12 in	15 in	18 in	24 in	36 in	
IMC rígido de 1 in y rígido recubierto de PVC de 40 mil												
	Y	15	1,08	8,81	16,52	24,25	31,97	39,70	51,29	62,88	86,07	132,43
	L1	15	7,72	15,44	23,17	30,90	38,63	46,35	57,94	69,54	92,72	139,08
	L2	15	9,59	17,32	25,04	32,77	40,50	48,23	59,82	71,41	94,59	140,95
	Z	15	12,53	20,00	27,46	34,93	42,39	49,86	61,05	72,25	94,64	139,43
ALTURA MÍNIMA = 1,31												
	Y	22,5	4,13	9,35	14,58	19,81	25,03	32,87	40,71	56,39	87,75	
	L1	22,5	10,42	15,64	20,87	26,09	31,32	39,16	47,00	62,68	94,04	
	L2	22,5	13,22	18,45	23,68	28,90	34,13	41,97	49,81	65,49	96,84	
	Z	22,5	15,69	20,52	25,35	30,18	35,01	42,25	49,49	63,98	92,95	
ALTURA MÍNIMA = 2,31												
	Y	30	1,58	5,58	9,58	13,58	17,58	23,58	29,58	41,58	65,58	
	L1	30	7,91	11,91	15,91	19,91	23,91	29,91	35,91	47,91	71,91	
	L2	30	11,66	15,66	19,66	23,66	27,66	33,66	39,66	51,66	75,66	
	Z	30	13,95	17,41	20,88	24,34	27,81	33,00	38,20	48,59	69,38	
ALTURA MÍNIMA = 3,51												
	Y	45		1,42	4,24	7,06	9,89	14,14	18,38	26,86	43,83	
	L1	45			11,01	13,83	16,66	20,91	25,15	33,63	50,60	
	L2	45			16,62	19,45	22,28	26,52	30,76	39,25	56,22	
	Z	45			17,11	19,11	21,11	24,11	27,11	33,11	45,11	
ALTURA MÍNIMA = 6,44												
	Y	60			1,17	3,48	5,79	9,25	12,71	19,64	33,49	
	L1	60				10,78	13,09	16,55	20,02	26,94	40,80	
	L2	60				18,27	20,58	24,04	27,50	34,43	48,29	
	Z	60				17,22	18,37	20,11	21,84	25,30	32,23	
ALTURA MÍNIMA = 9,91												
	Y	90					1,01	4,01	7,01	13,01	25,01	
	L1	90							14,93	20,93	32,93	
	L2	90							26,16	32,16	44,16	
	Z	90							17,49	17,49	17,49	
ALTURA MÍNIMA = 17,49												
IMC rígido de 1-1/4 in y rígido recubierto de PVC de 40 mil												
	Y	15	7,15	14,87	22,60	30,33	38,06	49,65	61,24	84,42	130,78	
	L1	15	7,71	15,44	23,17	30,90	38,62	46,35	57,94	69,53	92,72	139,08
	L2	15	10,07	17,80	25,53	33,25	40,98	48,71	60,30	71,89	95,07	141,44
	Z	15	13,77	21,24	28,70	36,17	43,63	51,09	62,29	73,49	95,88	140,66
ALTURA MÍNIMA = 1,63												
	Y	22,5	2,57	7,80	13,02	18,25	23,47	31,31	39,15	54,83	86,19	
	L1	22,5	10,41	15,63	20,86	26,09	31,31	39,15	46,99	62,67	94,03	
	L2	22,5	13,94	19,17	24,40	29,62	34,85	42,69	50,53	66,21	97,56	
	Z	22,5	17,18	22,01	26,84	31,66	36,49	43,73	50,98	65,46	94,43	
ALTURA MÍNIMA = 2,88												
	Y	30		4,00	8,00	12,00	16,00	22,00	28,00	40,00	64,00	
	L1	30		11,89	15,89	19,89	23,89	29,89	35,89	47,89	71,89	
	L2	30		16,61	20,61	24,61	28,61	34,61	40,61	52,61	76,61	
	Z	30		19,16	22,62	26,09	29,55	34,75	39,94	50,33	71,12	
ALTURA MÍNIMA = 4,38												
	Y	45			2,48	5,31	8,14	12,38	16,62	25,11	42,08	
	L1	45				13,75	16,58	20,83	25,07	33,55	50,52	
	L2	45				20,83	23,66	27,90	32,14	40,63	57,60	
	Z	45				21,40	23,40	26,40	29,40	35,40	47,40	
ALTURA MÍNIMA = 8,06												
	Y	60				1,46	3,77	7,23	10,69	17,62	31,48	
	L1	60						16,35	19,82	26,74	40,60	
	L2	60						25,79	29,25	36,18	50,04	
	Z	60						23,00	24,73	28,20	35,13	
ALTURA MÍNIMA = 11,32												
	Y	90						1,23	4,23	10,23	22,23	
	L1	90								20,13	32,13	
	L2	90								34,29	46,29	
	Z	90								21,96	21,96	
ALTURA MÍNIMA = 21,96												

Tablas de curvado adicionales (cont.)

	DIMENSIÓN	ÁNGULO	2 in	4 in	6 in	8 in	10 in	12 in	15 in	18 in	24 in	36 in
Rígido de 1-1/2 in y rígido recubierto de PVC de 40 mil												
	Y	15		5,87	13,59	21,32	29,05	36,77	48,37	59,96	83,14	129,50
	L1	15	7,71	15,44	23,17	20,90	38,62	46,35	57,94	69,53	92,72	139,08
	L2	15	9,94	17,67	25,39	33,12	40,85	48,58	60,17	71,76	94,94	141,31
	Z	15	14,50	21,97	29,43	36,89	44,36	51,82	63,02	74,21	96,61	141,39
ALTURA MÍNIMA = 1,82												
	Y	22,5		1,48	6,71	11,93	17,16	22,38	30,22	38,06	53,74	85,10
	L1	22,5		10,41	15,64	20,86	26,09	31,31	39,15	46,99	62,67	94,03
	L2	22,5		13,75	18,97	24,20	29,43	34,65	42,49	50,33	66,01	97,37
	Z	22,5		17,84	22,67	27,50	32,32	37,15	44,39	51,64	66,12	95,09
ALTURA MÍNIMA = 3,13												
	Y	30			3,02	7,02	11,02	15,02	21,02	27,02	39,02	63,02
	L1	30			11,90	15,90	19,90	23,90	29,90	35,90	47,90	71,90
	L2	30			16,35	20,35	24,35	28,35	34,35	40,35	52,35	76,35
	Z	30			19,75	23,21	26,68	30,14	35,34	40,53	50,92	71,71
ALTURA MÍNIMA = 4,68												
	Y	45				1,65	4,48	7,31	11,55	15,79	24,28	41,25
	L1	45					13,78	16,60	20,85	25,09	33,58	50,55
	L2	45					20,45	23,28	27,52	31,77	40,25	57,22
	Z	45					21,84	23,84	26,84	29,84	35,84	47,84
ALTURA MÍNIMA = 8,37												
	Y	60					0,74	3,05	6,52	9,98	16,91	30,76
	L1	60							16,41	19,87	26,80	40,66
	L2	60							25,31	28,77	35,70	49,56
	Z	60							23,28	25,01	28,47	35,40
ALTURA MÍNIMA = 12,66												
	Y	90							0,75	3,75	9,75	21,75
	L1	90									20,35	32,35
	L2	90									33,70	45,70
	Z	90									21,80	21,80
ALTURA MÍNIMA = 21,80												
Rígido de 2 in y rígido recubierto de PVC de 40 mil												
	Y	15		4,42	12,15	19,87	27,60	35,33	46,92	58,51	81,69	128,06
	L1	15	7,71	15,44	23,17	30,89	38,62	46,35	57,94	69,53	92,71	139,08
	L2	15	10,27	18,00	25,73	33,46	41,18	48,91	60,50	72,09	95,27	141,64
	Z	15	15,20	22,66	30,13	37,59	45,06	52,52	63,72	74,91	97,30	142,09
ALTURA MÍNIMA = 2,00												
	Y	22,5		0,24	5,47	10,70	15,92	21,15	28,99	36,83	52,51	83,86
	L1	22,5		10,40	15,63	20,85	26,08	31,31	39,15	46,99	62,66	94,02
	L2	22,5		14,24	19,47	24,70	29,92	35,15	42,99	50,83	66,51	97,86
	Z	22,5		18,71	23,54	28,36	33,19	38,02	45,26	52,51	66,99	95,96
ALTURA MÍNIMA = 3,47												
	Y	30			1,84	5,84	9,84	13,84	19,84	25,84	37,84	61,84
	L1	30			11,88	15,88	19,88	23,88	29,88	35,88	47,88	71,88
	L2	30			17,00	21,00	25,00	29,00	35,00	41,00	53,00	77,00
	Z	30			20,79	24,26	27,72	31,19	36,38	41,58	51,97	71,75
ALTURA MÍNIMA = 5,20												
	Y	45				0,42	3,25	6,08	10,32	14,57	23,05	40,02
	L1	45					13,72	16,55	20,79	25,04	33,52	50,49
	L2	45					21,40	24,23	28,47	32,72	41,20	58,17
	Z	45					23,26	25,26	28,26	31,26	37,26	49,26
ALTURA MÍNIMA = 9,38												
	Y	60						1,68	5,14	8,61	15,54	29,39
	L1	60							16,27	19,73	26,66	40,52
	L2	60							26,51	29,97	36,90	50,76
	Z	60							25,11	26,85	30,31	37,24
ALTURA MÍNIMA = 14,25												
	Y	90								1,87	7,87	19,87
	L1	90										31,80
	L2	90										47,16
	Z	90										24,72
ALTURA MÍNIMA = 24,72												

Tablas de curvado adicionales (cont.)

	DIMENSIÓN	ÁNGULO	2 in	4 in	6 in	8 in	10 in	12 in	15 in	18 in	24 in	36 in
IMC de 1-1/2 in												
	Y	15		6,41	14,14	21,87	29,60	37,32	48,91	60,51	83,69	130,05
	L1	15	7,71	15,44	23,17	30,90	38,62	46,35	57,94	69,53	92,72	139,00
	L2	15	9,95	17,68	25,40	33,13	40,86	48,58	60,18	71,77	94,94	141,31
	Z	15	13,99	21,45	28,92	36,38	43,85	51,31	62,51	73,70	96,10	140,88
ALTURA MÍNIMA = 1,69												
	Y	22,5		2,02	7,24	12,47	17,69	22,92	30,76	38,60	54,28	85,64
	L1	22,5		10,41	15,64	20,86	26,09	31,31	39,15	46,99	62,67	94,03
	L2	22,5		13,76	18,98	24,21	29,44	34,66	42,50	50,34	66,02	97,38
	Z	22,5		17,33	22,16	26,99	31,82	36,64	43,89	51,13	65,61	94,59
ALTURA MÍNIMA = 2,94												
	Y	30		3,55	7,55	11,55	15,55	21,55	27,55	39,55	63,55	
	L1	30		11,90	15,90	19,90	23,90	29,90	35,90	47,90	71,90	
	L2	30		16,36	20,36	24,36	28,36	34,36	40,36	52,36	76,36	
	Z	30		19,24	22,71	26,17	29,64	34,83	40,03	50,42	71,21	
ALTURA MÍNIMA = 4,43												
	Y	45				2,17	5,00	7,83	12,07	16,31	24,80	41,77
	L1	45				13,78	16,60	20,85	25,09	33,57	50,54	
	L2	45				20,47	23,30	27,55	31,79	40,27	57,24	
	Z	45				21,35	23,35	26,35	29,35	35,35	47,35	
ALTURA MÍNIMA = 8,02												
	Y	60					1,26	3,56	7,03	10,49	17,42	31,28
	L1	60					16,40	19,87	26,80	40,65		
	L2	60					25,34	28,80	35,73	49,58		
	Z	60					22,79	24,52	27,99	34,91		
ALTURA MÍNIMA = 12,24												
	Y	90						1,25	4,25	10,25	22,25	
	L1	90						20,34	32,34	45,74		
	L2	90						33,74	45,74			
	Z	90						21,34	21,34			
ALTURA MÍNIMA = 21,34												
IMC de 2 in												
	Y	15		5,04	12,77	20,50	28,22	35,95	47,54	59,13	82,31	128,68
	L1	15	7,71	15,44	23,17	30,90	38,62	46,35	57,94	69,53	92,71	139,00
	L2	15	10,19	17,92	25,64	33,37	41,10	48,83	60,42	72,01	95,19	141,56
	Z	15	14,56	22,03	29,49	36,96	44,42	51,89	63,00	74,28	96,67	141,45
ALTURA MÍNIMA = 1,84												
	Y	22,5		0,88	6,10	11,33	16,56	21,78	29,62	37,46	53,14	84,50
	L1	22,5		10,40	15,63	20,86	26,08	31,31	39,15	46,99	62,67	94,02
	L2	22,5		14,12	19,35	24,57	29,80	35,02	42,86	50,70	66,38	97,74
	Z	22,5		18,03	22,86	27,69	32,52	37,34	44,59	51,83	66,31	95,29
ALTURA MÍNIMA = 3,20												
	Y	30		2,50	6,50	10,50	14,50	20,50	26,50	38,50	62,50	
	L1	30		11,88	15,88	19,88	23,88	29,88	35,88	47,88	71,88	
	L2	30		16,84	20,84	24,84	28,84	34,84	40,84	52,84	76,84	
	Z	30		20,07	23,54	27,00	30,46	35,66	40,86	51,25	72,03	
ALTURA MÍNIMA = 4,84												
	Y	45				1,12	3,94	6,77	11,02	15,26	23,74	40,71
	L1	45				13,74	16,56	20,81	25,05	33,53	50,50	
	L2	45				21,16	23,99	28,24	32,48	40,96	57,93	
	Z	45				22,45	24,45	27,45	30,45	36,45	48,45	
ALTURA MÍNIMA = 8,80												
	Y	60					0,11	2,42	5,89	9,35	16,28	20,13
	L1	60					16,30	19,77	26,70	40,55	64,40	
	L2	60					26,21	29,67	36,60	50,46	74,31	
	Z	60					24,19	25,93	29,39	36,32	49,19	
ALTURA MÍNIMA = 13,45												
	Y	90							2,75	8,75	20,75	
	L1	90							19,94	31,94	46,80	
	L2	90							34,80	46,80		
	Z	90							23,53	23,53		
ALTURA MÍNIMA = 23,53												

Extracción y reemplazo de la manija

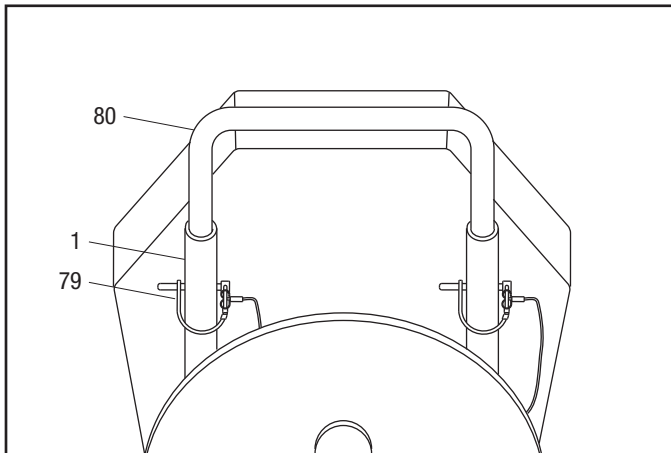
La manija de la unidad 555C está diseñada para ser extraíble. Esta característica es conveniente cuando se realizan tareas de curvado complicadas, y facilita el reemplazo de una manija dañada.

Extracción

1. Colocar la curvadora en posición vertical.
2. Soltar la abrazadera de resorte en el pasador de seguridad (79).
3. Retirar el pasador de la manija (80) y la cubierta del armazón (1).
4. Repetir los pasos 1 al 3 para el otro extremo de la manija.
5. Levantar la manija y retirarla.

Reemplazo

1. Insertar la manija (80) en las cubiertas del armazón (1).
2. Alinear los orificios de la manija con los orificios de las cubiertas.
3. Insertar el pasador de seguridad (79). Asegurarse de que el pasador pase a través de la manija y de la cubierta del armazón (1).
4. Acoplar la abrazadera del resorte de seguridad sobre el extremo del pasador. Asegurarse de que el bucle de la abrazadera rodee el pasador completamente.
5. Repetir los pasos 2 al 4 para el otro extremo de la manija.



Extracción o reemplazo de la manija

Transporte

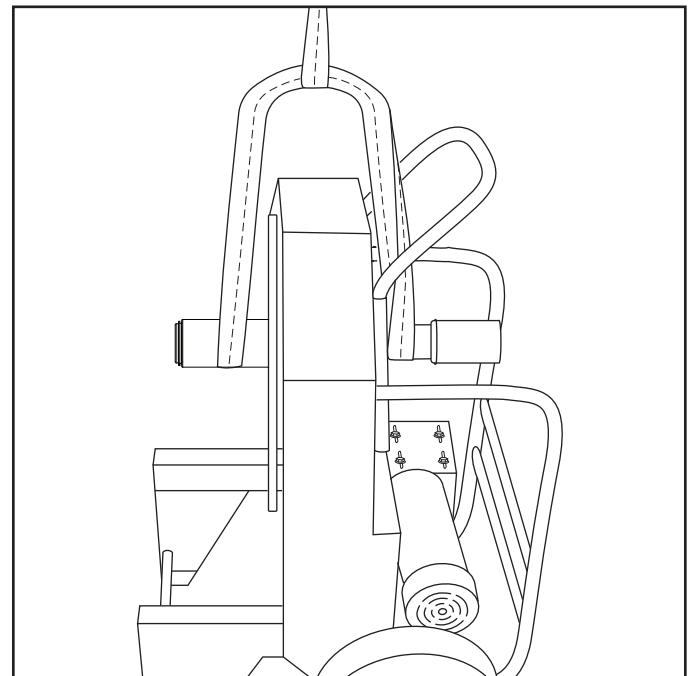
⚠ ADVERTENCIA

Asegurarse de que la manija esté correctamente instalada y asegurada con los sujetadores del resorte de seguridad y los pasadores de seguridad antes de levantar o mover la curvadora. Una manija instalada de manera errónea podría provocar la caída de la curvadora y lesionar al personal que se encuentre en el área.

No prestar atención a esta advertencia podría causar lesiones graves o fatales.

Retirar la unidad de zapata del eje principal y del eje de almacenamiento, y retirar todas las unidades de soporte de bobina de la curvadora. La única manera correcta de levantar esta curvadora es enrollando una eslinga de nailon o poliéster alrededor del eje de almacenamiento y del eje principal para crear una eslinga como se muestra. La eslinga debe extenderse entre la manija y el armazón principal de la curvadora para que la manija actúe como guía para la eslinga, como se muestra a continuación.

Fijar firmemente el dispositivo de elevación a la eslinga y asegurarse de que todos los componentes utilizados para elevar esta curvadora están debidamente dimensionados para un peso de 159 kg (350 lb). Utilizar una rampa para cargar y descargar de un camión u otro vehículo que no esté equipado con una puerta elevadora.




Transporte de la curvadora

Mantenimiento

No hay necesidad de depurar y cambiar periódicamente el aceite lubricante en la caja de engranajes de la curvadora, ya que la misma está sellada y cerrada herméticamente. No obstante, si se abre la caja para efectuar alguna reparación y se pierde el aceite lubricante o se contamina con polvo, deberán depurarse la caja y las piezas, y llenarse con 26 oz de aceite sintético Mobil® 634.

Para la depuración se deberá utilizar queroseno, un hidrocarburo de petróleo que no afecta los sellos.

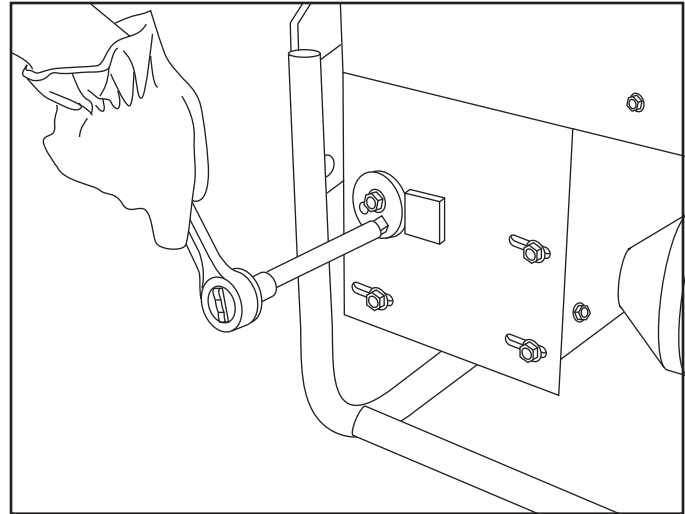
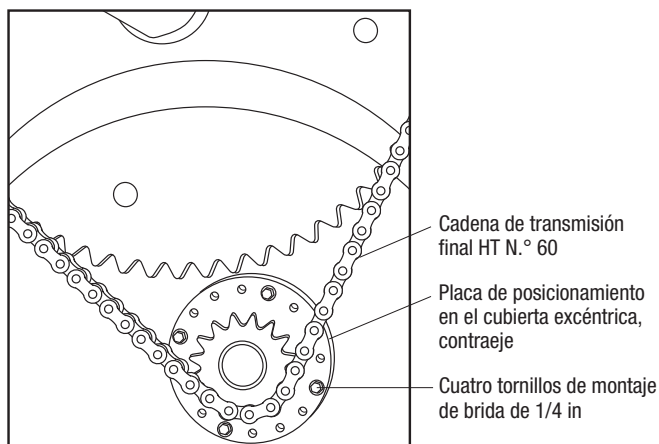
Nota: Los hidrocarburos aromáticos como la benzina, los solventes clorados como el tetracloruro de carbono y las cetonas como la acetona nunca deben utilizarse para el lavado, ya que son solventes para goma. Además son nocivos para el ambiente.

	<p style="text-align: center;">⚠ ADVERTENCIA</p> <p>Desconectar esta herramienta cuando no se esté utilizando, antes de darle mantenimiento o ajustarla, y cuando se cambien las zapatas o los soportes y rodillos del conducto.</p> <p>No prestar atención a esta advertencia podría causar lesiones graves o fatales.</p>
---	--

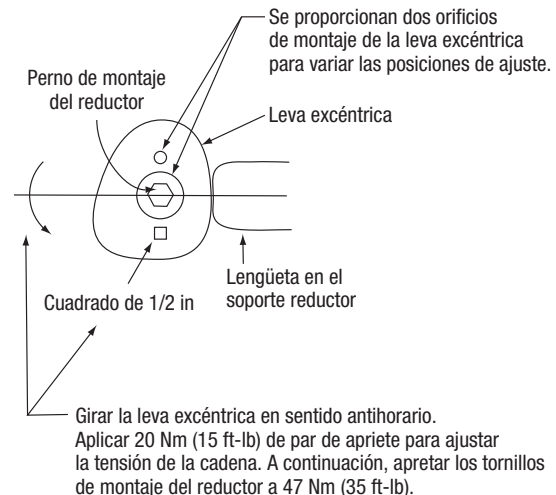
Ajuste de la cadena

Ambas cadenas deben ajustarse si se debe reajustar la cadena de transmisión final N.º 60. Consultar la vista de componentes y la lista de piezas.

1. Retirar la tapa frontal (38) y el protector superior trasero (37).
2. Aflojar los ocho pernos de montaje para el reductor (19). Retirar la leva excéntrica y mover el reductor para destensar la cadena.
3. Retirar los cuatro tornillos de retención para el ajuste de la leva excéntrica. Girar para tensar la cadena y alinear con uno de los dos juegos de orificios en el armazón. Volver a instalar la leva excéntrica con los cuatro pernos.
4. Deslizar el reductor por los orificios de montaje ranurados en la cadena de retención. Ajustar la tensión con la leva excéntrica.



Con los ocho pernos de montaje del reductor (22, 24) sueltos, girar la leva excéntrica con una broca cuadrada de 1/2 in para tensor la cadena. Ajustar los ocho pernos de montaje del reductor a 47 Nm (35 ft-lb).



Resolución de problemas

Problema	Causa probable	Posible solución
La curvadora no funciona.	No hay tensión.	Verificar la operación del circuito del suministro de tensión.
		Verificar que el interruptor se encuentre encendido.
El curvado de los plegados es unos grados mayor.	Demasiado apriete en conductos EMT o IMC de 1-1/2 in o 2 in.	Disminuir el apriete según lo indicado en las instrucciones de ajuste.
	Características poco comunes del conducto.	Curvar un ángulo menor para compensar.
El curvado de los plegados es unos grados menor.	Poco apriete en conductos EMT o IMC de 1-1/2 in o 2 in.	Aumentar el apriete según lo indicado en las instrucciones de ajuste.
	Características poco comunes del conducto.	Curvar un ángulo mayor para compensar.

Resolución de problemas (continuación)

Los siguientes diagramas de flujo muestran los procedimientos de resolución de problemas sugeridos para algunos problemas de la curvadora. De ninguna manera abarcan todos los problemas o soluciones posibles.



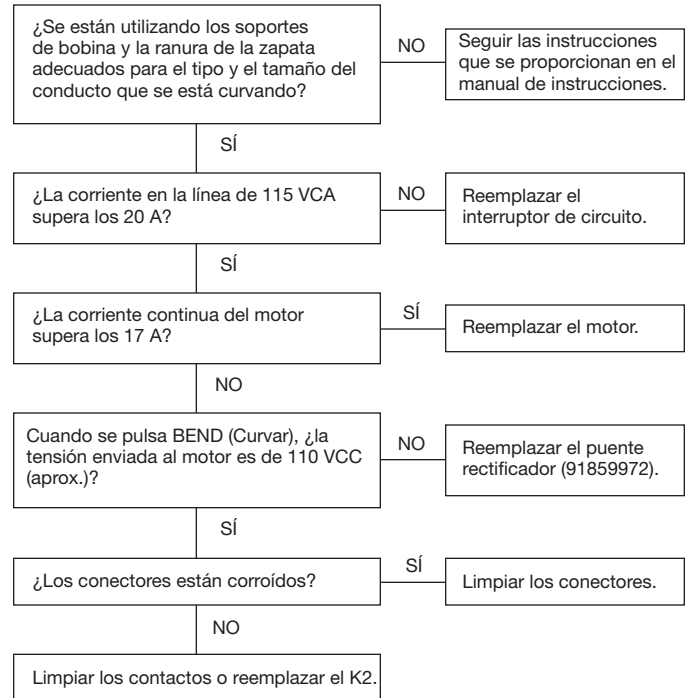
⚠ ADVERTENCIA

Peligro de descarga eléctrica:

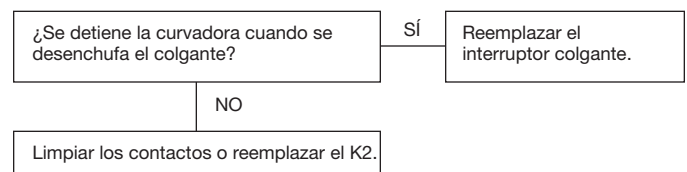
- El contacto con circuitos activados puede ocasionar lesiones graves o incluso la muerte.
- Algunos pasos de resolución de problemas requieren la alimentación de la curvadora. Este tipo de paso de resolución de problemas solo debe ser realizado en centros de servicio autorizados por Greenlee por personal que esté familiarizado con los procedimientos de resolución de problemas con seguridad.

No prestar atención a estas advertencias podría causar lesiones graves o fatales.

Accionamiento del conmutador/interruptor de circuito 555C

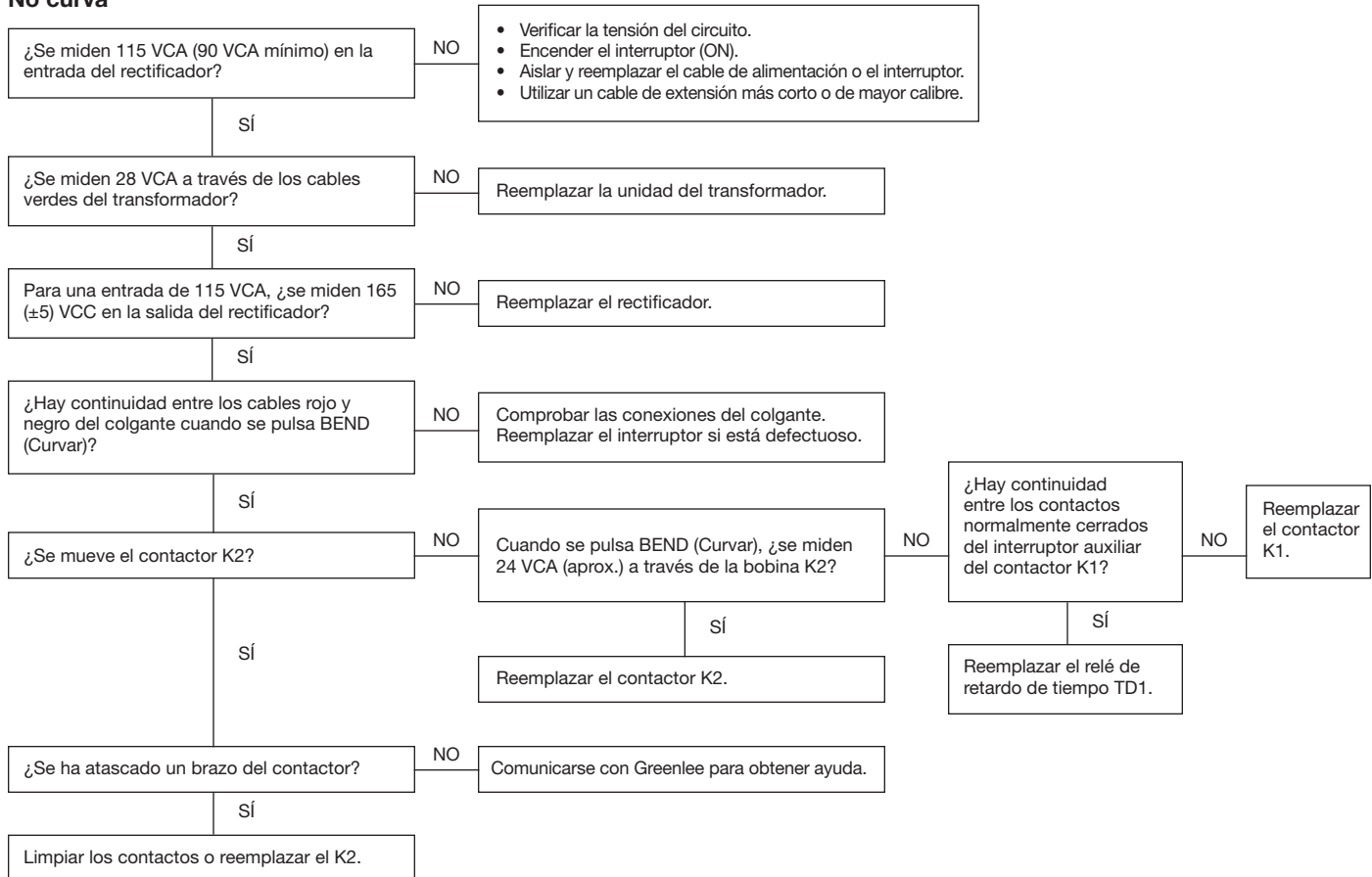


No se detiene



Resolución de problemas (continuación)

No curva



La curvadora funciona solo con la indicación BEND (Curvar)

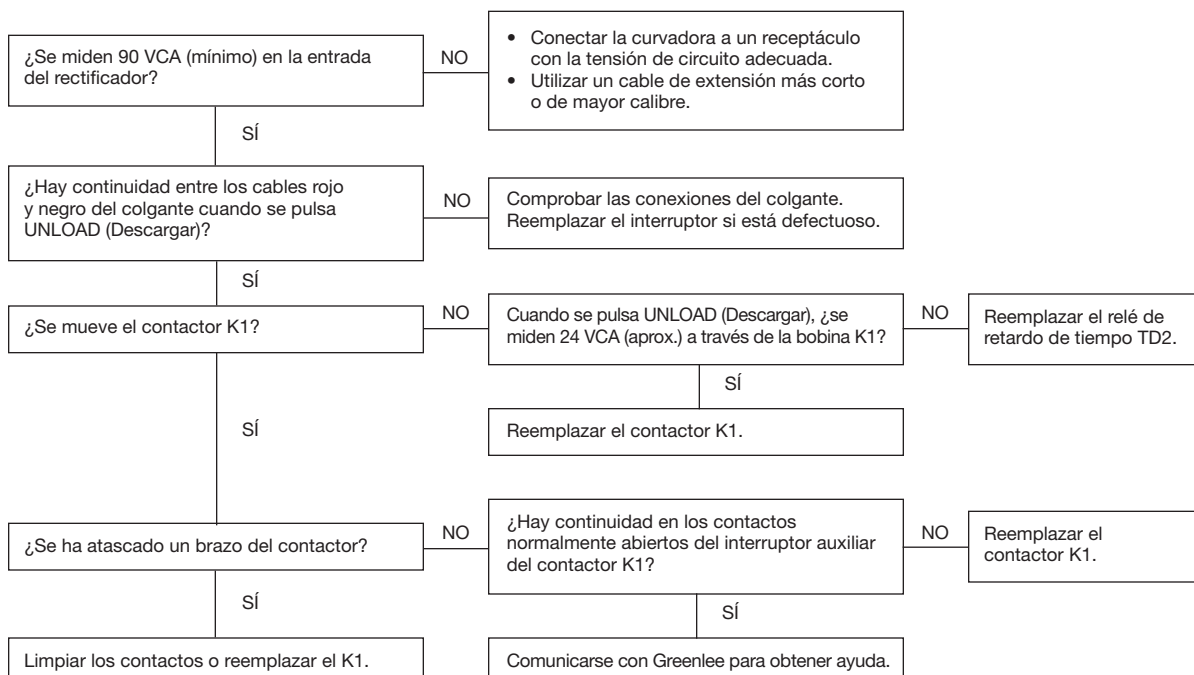
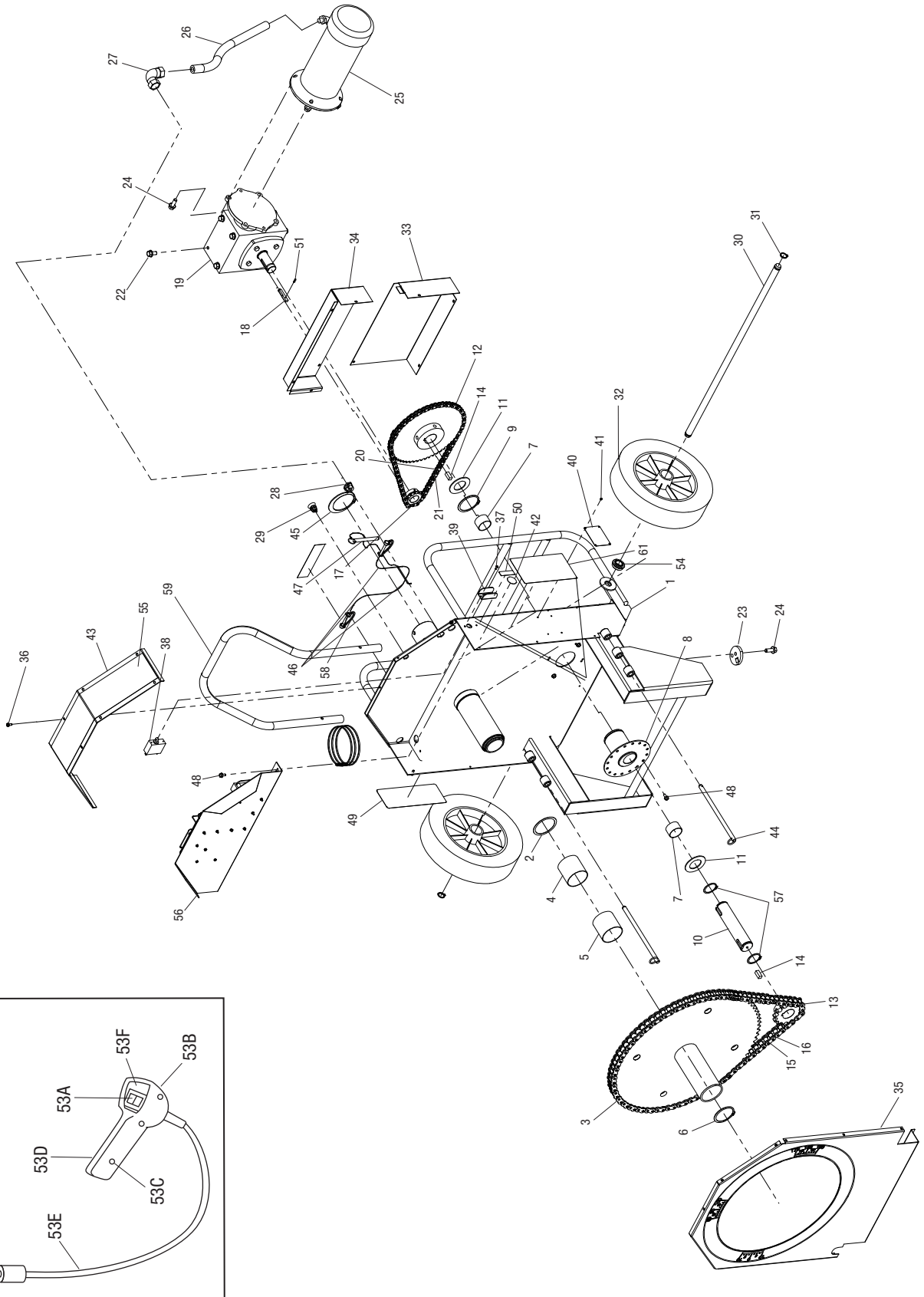
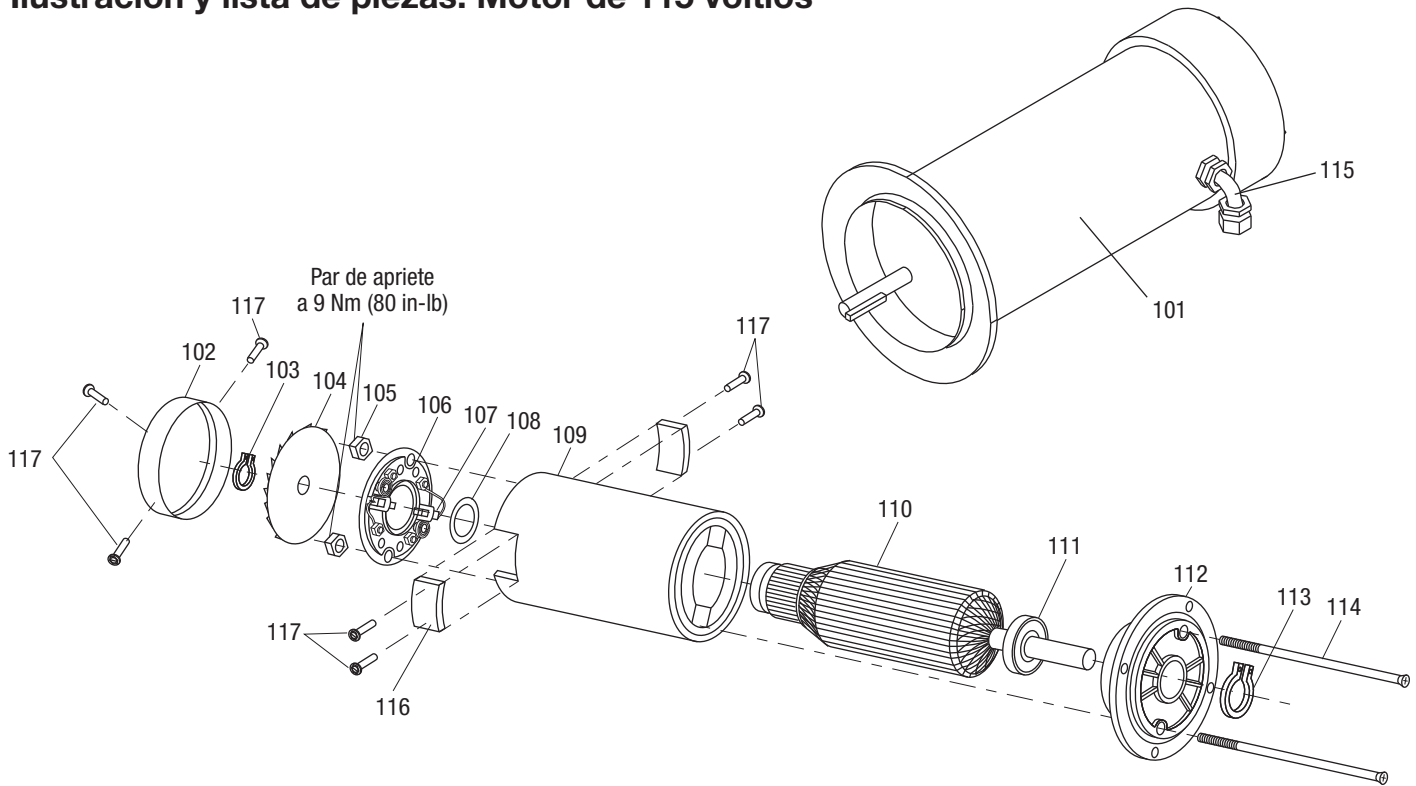


Ilustración: Curvadora eléctrica Classic 555C



Lista de piezas: Curvadora eléctrica Classic 555C

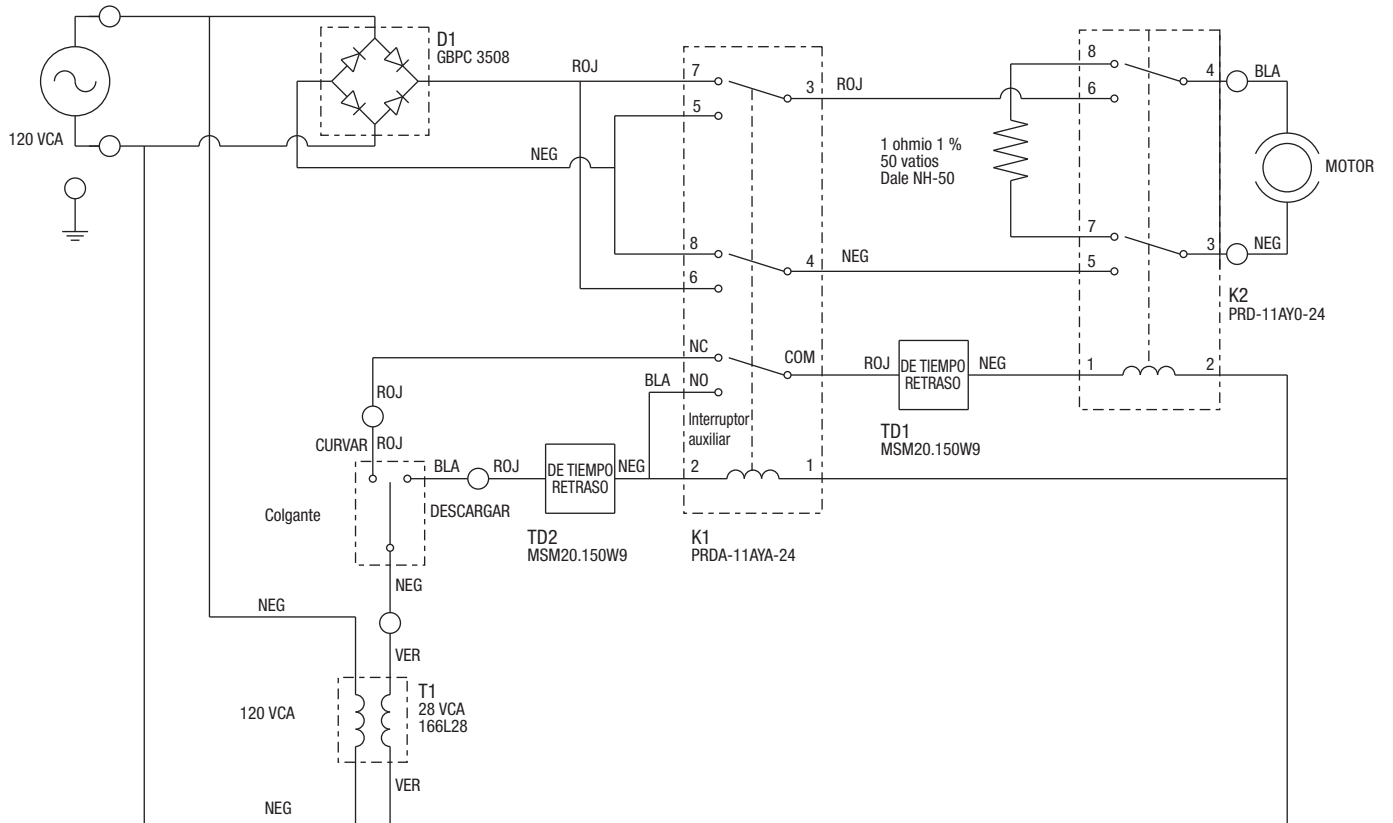
Clave	N.º de pieza	Descripción	Cant.	Clave	N.º de pieza	Descripción	Cant.
1	50397427	Soldadura, armazón principal	1	50	50389742	Adhesivo, interruptor de circuito	1
2	50234528	Arandela, fibra	1	51	90553233	Pasador, DRIV-LOK®, 1/8 x 1/2	1
3	50328964	Soldadura, unidad de piñón	1	52	50079123	Cable de alimentación,	1
4	90524098	Rodamiento, Fiberglide® ø 2,625 x 2,5 de largo	1	53	50398393	Interruptor, colgante (conjunto completo con conector Molex)	1
5	90524101	Rodamiento, Fiberglide ø 2,625 x 3,75 de largo	1	53A	91864496	Interruptor, centro OFF	1
6	90524144	Anillo de retención N.º 5100-237	1		52093719	Kit de carcasa, colgante (Incluye artículos 53B, 53C y 53D)	1
7	90524128	Rodamiento, Fiberglide ø 1,625 x 1,00 de largo	2	53B		Manija, mitad derecha	1
8	50397630	Soldadura, contraeje	1	53C		Tornillo, N.º 6-20 x 0,625 cabeza plana, autorroscante	3
9	90540239	Anillo, retención N.º 5100-250	1	53D		Manija, mitad izquierda	1
10	50397648	Contraeje	1	53E	50398377	Cable	1
11	90524136	Rodamiento, Fiberglide de empuje	2	53F	50354876	Adhesivo, placa frontal	1
12	90545486	Piñón, N.º 40 60T	1	54	90517407	Arandela, plana	2
13	90542533	Piñón, N.º 60 14T	1	55	52066299	Adhesivo, instrucción	1
14	50397656	Llave, contraeje	2	56	50068890	Conjunto de control electrónico	1
15	90545460	Cadena, N.º 60 87P	1	57	90510518	Anillo, retención N.º 5100-150	2
16	90542517	Enlace maestro, N.º 60	1	58	90552687	Pasador, cierre de seguridad	2
17	90545478	Piñón, N.º 40 13T	1	59	50397486	Manija, superior	1
18	50084313	Llave, piñón reductor	1	60	50120620	Adaptador, con conector Molex (se requiere cuando se reemplaza el interruptor colgante en unidades fabricadas antes del 03/01/05)	1
19	90523881	Reductor, tornillo sin fin	1	61	52025721	Adhesivo, seguridad/advertencia	1
20	90527879	Enlace maestro, N.º 40	1				
21	90545516	Cadena, N.º 40 87P	1				
22	90545680	Perno, 3/8-16 UNC x 0,75	7				
23	50397583	Excéntrico	1				
24	90542371	Perno, 3/8-16 UNC x 1,00	5				
25	91869730	Motor	1				
26	90545494	Conducto, hermético	1				
27	91852145	Codo, hermético	1				
28	52083217	Alivio de presión	1				
29	52085071	Alivio de presión, interruptor colgante	1				
30	50397575	Eje	1				
31	90515285	Anillo de retención N.º 5160-75	2				
32	90533909	Rueda	2				
33	50397680	Protector, parte inferior trasera	1				
34	50397699	Protector, parte superior trasera	1				
35	50397605	Tapa, frontal	1				
36	90516559	Tornillo, N.º 10-16 x 0,50 de cabeza hexagonal	31				
37	90504305	Tornillo, N.º 6-32 x 0,375 Phillips	2				
38	91863856	Interruptor, Airpax	1				
39	50297082	Protector, interruptor	1				
40	50069055	Placa de identificación	1				
41	90530012	Remache, con cabeza de 1/8 x 1/8	4				
42	50303929	Adhesivo, advertencia de humedad	1				
43	50397591	Tapa, superior	1				
44	90533895	Pasador, enganche	2				
45	90525019	Anillo de retención N.º 5100-287	1				
46	90545524	Acollador	3				
47	90545451	Pasador, enganche	1				
48	90543351	Tornillo, rosca de 1/4 x 0,37	6				
49	50339370	Adhesivo, ajuste de apriete	1				

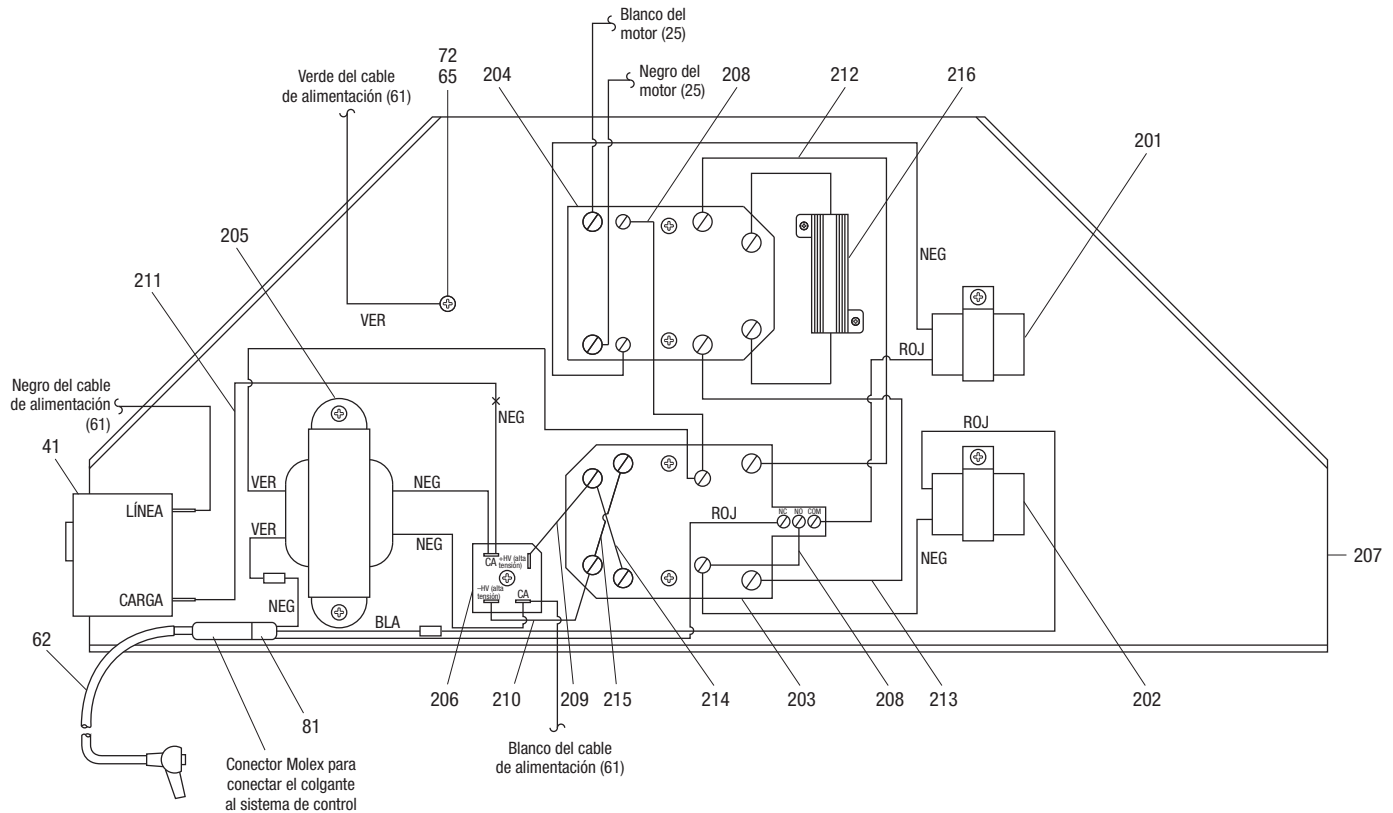
Ilustración y lista de piezas: Motor de 115 voltios

Pacific Scientific

Clave	N.º de pieza	Descripción	Cant.
101	91869730	Motor (SRF-3648-5532-7-56C).....	1
*	91864178	Motor, 115 voltios (estándar) (SRF-3745-4676-2-56C).....	1
102	91864712	Cubierta del ventilador.....	1
103	90550714	Anillo de retención.....	1
104	91864321	Ventilador.....	1
105	91864283	Tuerca campana de extremo.....	2
106	91864194	Campana, extremo posterior.....	1
107	91864208	Cepillo.....	2
108	91864224	Arandela de empuje.....	1
109	91869757	Conjunto de carcasa e imán.....	1
*	91864275	Conjunto de carcasa e imán, 115 V.....	1
110	91869749	Armadura.....	1
*	91864259	Armadura, 115 V.....	1
111	91864216	Kit de rodamientos.....	2
112	91864186	Campana, extremo delantero.....	1
113	91864240	Anillo de retención.....	1
114	91864267	Perno tensor, 115 V.....	2
115	91858763	Conector de 90°.....	1
116	91864305	Cubierta del cepillo.....	2
117	91864313	Tornillo de la cubierta.....	7

*Nota: *Motor alternativo*
Comprobar el número de pieza del motor antes de hacer un pedido de carcasa o armadura magnética.

Diagrama esquemático

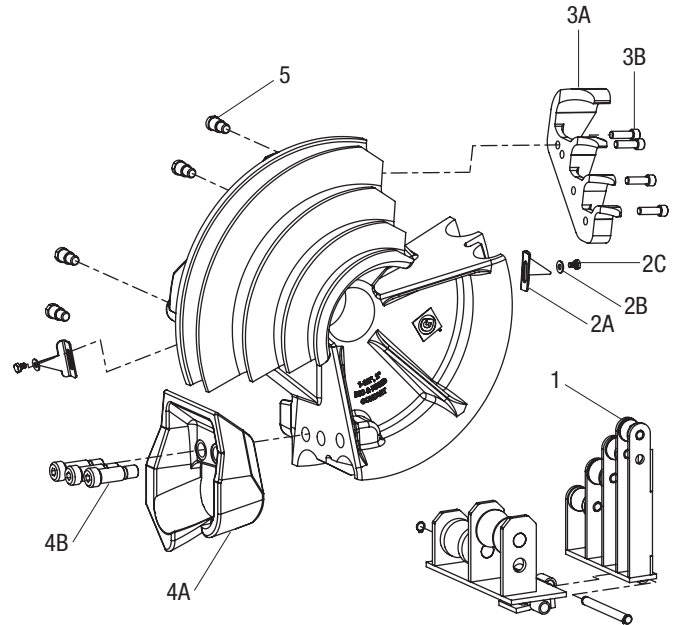


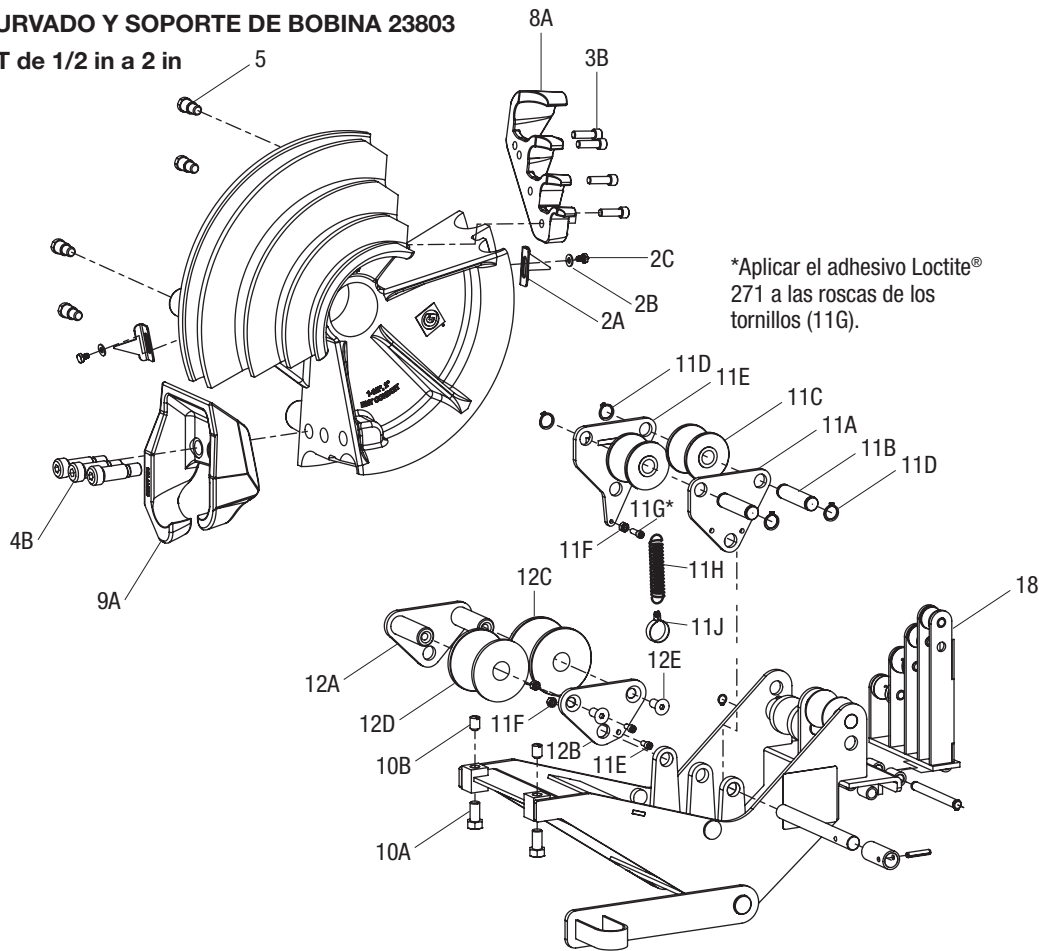
Conjunto de control

Conjunto de control electrónico: Pieza N.º 50068890

Clave	Referencia esquemática	N.º de pieza	Descripción	Cant.
201	TD1	50069152	Conjunto de temporizador, retardo de 150 ms activado (ON)	1
202	TD2	50069071	Conjunto de temporizador, retardo de 150 ms activado (ON)	1
203	K1	91869668	Relé, alimentación, CBB (con interruptor).....	1
204	K2	91869676	Relé, alimentación, CBB	1
205	T1	50069080	Conjunto del transformador	1
206	D1	91859972	Puente rectificador	1
207		50068954	Soporte, montaje eléctrico	1
208		50068962	Mazo de cables, 14 AWG.....	2
209		50060341	Mazo de cables, 12 AWG (ROJ).....	1
210		50060350	Mazo de cables, 12 AWG (NEG)	1
211		50069160	Unidad de cableado, rectificador NEG	1
212		50068989	Mazo de cables, 12 AWG (ROJ).....	1
213		50068997	Mazo de cables, 12 AWG (NEG)	1
214		50060481	Mazo de cables, 12 AWG (ROJ).....	1
215		50060490	Mazo de cables, 12 AWG (NEG)	1
216		50060511	Unidad de resistencia con cables	1
65		90543297	Tornillo, N.º 8-32 x 0,37 a tierra	1
72		90537246	Arandela, bloqueo interior dentado.....	1
81		50120620	Adaptador con conector Molex	1

Zapatras de curvado y soportes de bobina
ZAPATA DE CURVADO Y SOPORTE DE BOBINA 28008
Conducto rígido de 1/2 in a 2 in
Conducto IMC de 1/2 in a 1-1/4 in

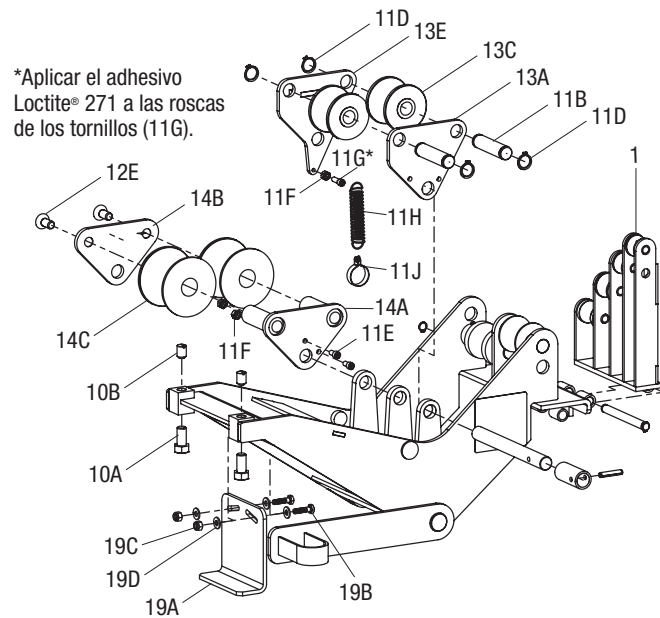
Clave	N.º de pieza	Descripción	Cant.
	52066935	Unidad para zapatas, rígida/IMC de 1/2 in-2 in....	1
	52066936	Unidad de soporte de bobina, rígida de 1/2 in-2 in...	1
1	52066937	Soporte de bobina, 1/2 in-1-1/4 in.....	1
2	52065278	Kit de punteros (incluye uno de cada uno de 2A-2C)	
2A		Punto.....	2
2B		Arandela, 1/4 in estándar.....	2
2C		Tornillo, 1/4-20 x 3/8 cabeza hexagonal.....	2
3	52065279	Kit de ganchos, rígido/IMC 1/2 in-1-1/4 in	
3A		Gancho, rígido/IMC 1/2 in-1-1/4 in.....	1
3B		Tornillo, 3/8-16 x 1-1/4 cabeza hueca.....	4
4	52065280	Kit de ganchos, rígido/IMC 1-1/2 in-2 in	
4A		Gancho, rígido/IMC 1-1/2 in-2 in.....	1
4B		Tornillo de hombro, ø 0,75 x 1,50 x 5/8-11.....	3
5	52066933	Pasador de accionamiento.....	4



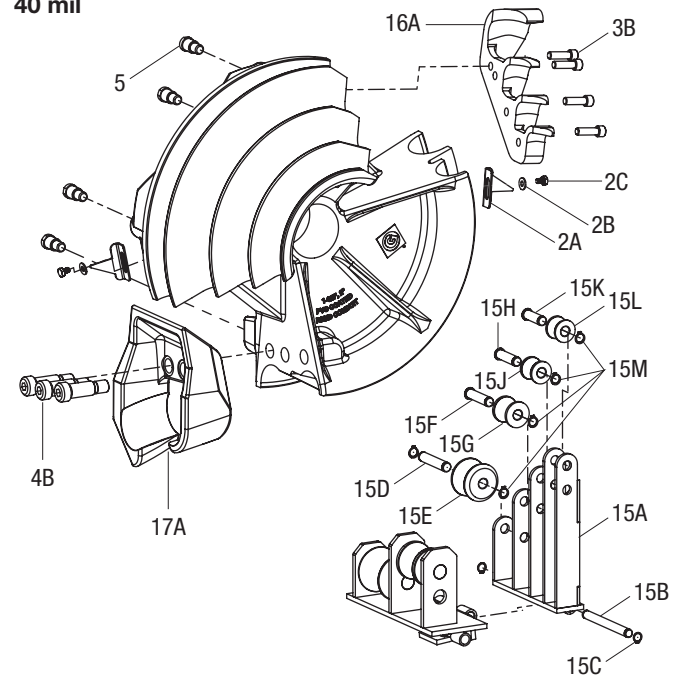
Zapatas de curvado y soportes de bobina (cont.)
ZAPATA DE CURVADO Y SOPORTE DE BOBINA 23803
Conducto EMT de 1/2 in a 2 in


Clave	N.º de pieza	Descripción	Cant.
	52066931	Unidad de zapata, EMT 1/2 in-2 in	1
	52066932	Unidad de puente, EMT 1/2 in-2 in	1
2	52065278	Kit de punteros (incluye uno de cada uno de 2A-2C)	
2A		Punto.....	2
2B		Arandela, 1/4 in estándar	2
2C		Tornillo, 1/4-20 x 3/8 cabeza hexagonal	2
8	52065321	Kit de ganchos, EMT 1/2 in-1-1/4 in	
8A		Gancho, EMT 1/2 in-1-1/4 in.....	1
3B		Tornillo, 3/8-16 x 1-1/4 cabeza hueca.....	4
9	52065322	Kit de ganchos, EMT 1-1/2 in-2 in	
9A		Gancho, EMT 1-1/2 in-2 in	1
4B		Tornillo de hombro, ø 0,75 x 1,50 x 5/8-11	3
5	52066933	Pasador de accionamiento	4
10	52065273	Kit de tornillos (incluye uno de cada uno de 10A-10B)	
10A		Tornillo, cabeza hexagonal 1/2-13 x 1.....	2
10B		Tornillo, juego ranurado 1/2-13 x 3/4.....	2

Clave	N.º de pieza	Descripción	Cant.
11	52065274	Kit de rodillos, EMT 1-1/2 in	
11A		Placa de pivote.....	1
11B		Clavija, rodillo EMT de 1-1/2 in.....	2
11C		Rodillo, EMT 1-1/2 in.....	2
11D		Anillo de retención, Truarc N.º 5160 EX.....	4
11E		Placa de pivote, trasera.....	1
11F		Tuerca hexagonal, 1/4-20	1
11G		Tornillo, cabeza hueca 1/4-20 x 3/4	1
11H		Resorte, extensión.....	1
11J		Abrazadera, tipo bucle.....	1
12	52065275	Kit de rodillos, EMT 2 in	
12A		Pieza soldada de soporte, EMT 2 in.....	1
12B		Placa, EMT 2 in.....	1
12C		Rodillo, EMT 2 in atrás (diámetro externo más grande).....	1
12D		Rodillo, EMT 2 in adelante (diámetro externo más pequeño).....	1
12E		Tornillo, cabeza plana 7/16-14 x 1.....	2
11E		Tornillo, cabeza hueca 1/4-20 x 1/2	2
11F		Tuerca hexagonal, 1/4-20	2
18	52066934	Soporte de bobina, EMT 1/2 in-1-1/4 in	1

Zapatas de curvado y soportes de bobina (cont.)
UNIDAD DE PUENTE 01323
Conducto rígido e IMC de 1/2 in a 2 in


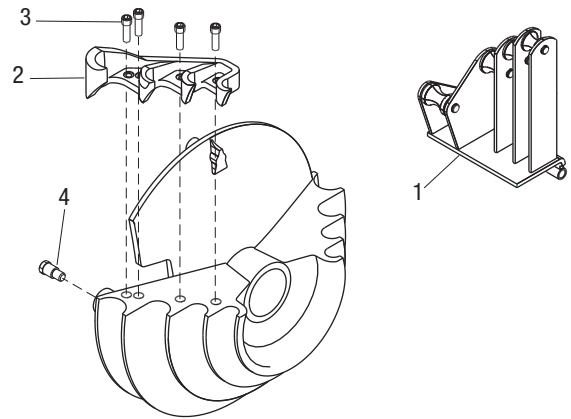
Clave	N.º de pieza	Descripción	Cant.
	52064757	Unidad de puente, IMC/rígido 1/2 in-2 in	1
10	52065273	Kit de tornillos (incluye uno de cada uno de 10A-10B)	
10A		Tornillo, cabeza hexagonal 1/2-13 x 1	2
10B		Tornillo, juego ranurado 1/2-13 x 3/4	2
13	52065276	Kit de rodillos, IMC 1-1/2 in	
13A		Placa de pivote	1
11B		Clavija, rodillo EMT de 1-1/2 in	2
13C		Rodillo, IMC 1-1/2 in	2
11D		Anillo de retención, Truarc N.º 5160 EX	4
13E		Placa de pivote, trasera	1
11F		Tuerca hexagonal, 1/4-20	1
11G		Tornillo, cabeza hueca 1/4-20 x 3/4	1
11H		Resorte, extensión	1
11J		Abrazadera, tipo bucle	1
14	52065277	Kit de rodillos, IMC 2 in	
14A		Pieza soldada de soporte, IMC 2 in	1
14B		Placa, IMC 2 in	1
14C		Rodillo, IMC 2 in	2
12E		Tornillo, cabeza plana 7/16-14 x 1	2
11E		Tornillo, cabeza hueca 1/4-20 x 1/2	2
11F		Tuerca hexagonal, 1/4-20	2
1	52066937	Soporte de bobina, IMC/rígido 1/2 in-1-1/4 in	1
19	52066949	Kit de placa (incluye 19A-19D)	
19A		Placa, trampa de puente	1
19B		Tornillo, cabeza hexagonal 1/4-20 x 1-1/4	2
19C		Tuerca de seguridad, 1/4-20	2
19D		Arandela, estándar 1/4 in	4

ZAPATA DE CURVADO Y SOPORTE DE BOBINA DE PVC 12586
Conducto rígido de 1/2 in a 2 in con revestimiento de PVC de 40 mil


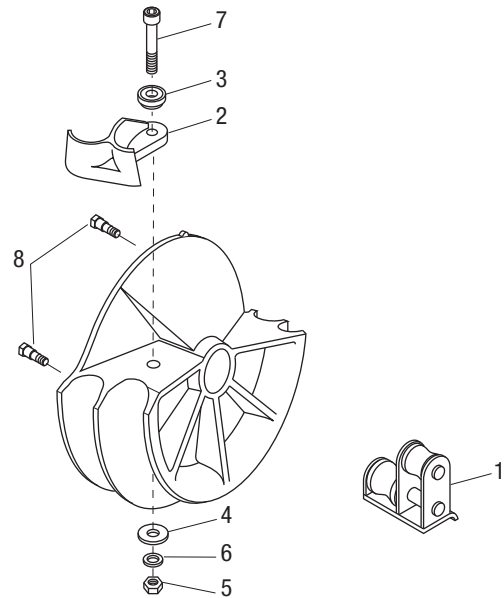
Clave	N.º de pieza	Descripción	Cant.
	52066939	Unidad de zapata, 1/2 in-2 in rígido recubierto de PVC	
	52066940	Unidad de soporte de bobina, 1/2 in-2 in	
15	52065272	Soporte de bobina, 1/2 in-1-1/4 in	
15A		Pieza soldada de soporte	1
15B		Pasador de pivote	1
15C		Anillo de retención, Truarc N.º 5160-42 EX	2
15D		Eje, rodillo 1-1/4 in	1
15E		Rodillo, 1-1/4 in	1
15F		Eje, rodillo de 1 in	1
15G		Rodillo, 1 in	1
15H		Eje, rodillo 3/4 in	1
15J		Rodillo, 3/4 in	1
15K		Eje, rodillo 1/2 in	1
15L		Rodillo, 1/2 in	1
15M		Anillo de retención, Truarc N.º 5160-50 EX	5
2	52065278	Kit de punteros (incluye uno de cada uno de 2A-2C)	
2A		Punto	2
2B		Arandela, 1/4 in estándar	2
2C		Tornillo, 1/4-20 x 3/8 cabeza hexagonal	2
16	52065323	Kit de ganchos, PVC 1/2 in-1-1/4 in	
16A		Gancho, PVC 1/2 in-1-1/4 in	1
3B		Tornillo, 3/8-16 x 1-1/4 cabeza hueca	4
17	52065324	Kit de ganchos, PVC 1-1/2 in-2 in	
17A		Gancho, PVC 1-1/2 in-2 in	1
4B		Tornillo de hombro, ø 0,75 x 1,50 x 5/8-11	3
5	52066933	Pasador de accionamiento	4

Zapatas de curvado y soportes de bobina (cont.)
ZAPATA DE CURVADO Y SOPORTE DE BOBINA
Conducto rígido e IMC de 1/2 in a 1-1/4 in

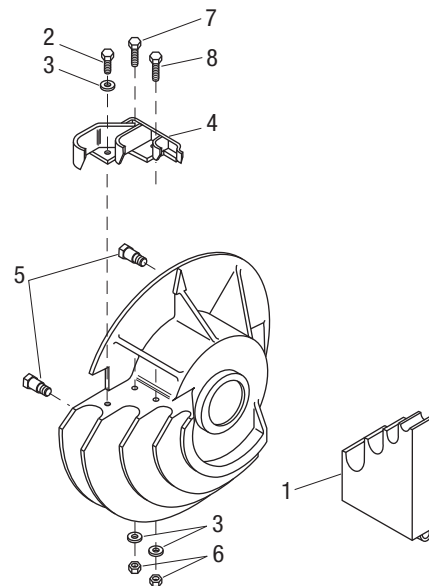
Clave	N.º de pieza	Descripción	Cant.
1	50009362	Soporte de bobina, IMC y rígido de 1/2 in a 1-1/4 in	1
	50005715	Sistema de zapatas de curvado (incluye 2-4). 1	1
2	50005693	Gancho.....	1
3		Tornillo, cabeza hueca 3/8-16 UNC x 1-1/4 in	4
4	50234226	Perno, accionamiento	3

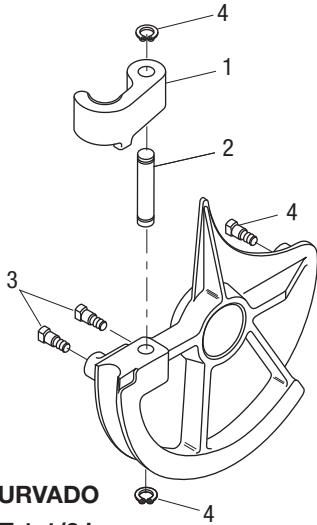
La zapata no está disponible por separado.

ZAPATA DE CURVADO Y SOPORTE DE BOBINA
Conducto rígido de 1-1/2 in a 2 in

Clave	N.º de pieza	Descripción	Cant.
1	50179845	Soporte de bobina, conducto rígido 1-1/2 in a 2 in	1
	50179373	Sistema de zapatas de curvado, conducto rígido 1-1/2 in a 2 in (incluye 2-8) ...	1
2	50179691	Gancho para tubos	1
3	50179748	Pivote	1
4	90526759	Arandela, plana 5/8	1
5	90515692	Tuerca, hexagonal 5/8-11 UNC	1
6	90509056	Arandela de seguridad, división 5/8.....	1
7	90524268	Tornillo, cabeza hueca 5/8-11 UNC x 4 in	1
8	50234226	Perno, accionamiento	4

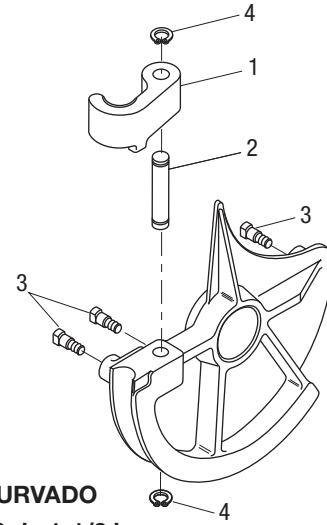
La zapata no está disponible por separado.

ZAPATA DE CURVADO Y APOYO DE TUBERÍA
Conducto EMT de 1/2 in a 1-1/4 in

Clave	N.º de pieza	Descripción	Cant.
1	50179861	Sistema de apoyo de tubería para conducto EMT de 1/2 in a 1-1/4 in.....	1
	50179446	Sistema de zapatas de curvado para conducto EMT de 1/2 in a 2-1/4 in (incluye 2-8).....	1
2		Tornillo, cabeza hueca 3/8-16 UNC x 1 in	1
3		Arandela de seguridad, división 3/8.....	3
4	50245554	Gancho para tubo	1
5	50234226	Perno, accionamiento	4
6		Tuerca, hexagonal, chapada en cadmio 3/8-16 UNC.....	2
7		Tornillo, cabeza hueca SAE grado 5 3/8-16 UNC x 1-1/4	1
8		Tornillo, cabeza hueca 3/8-16 UNC x 1-1/4 ...	1

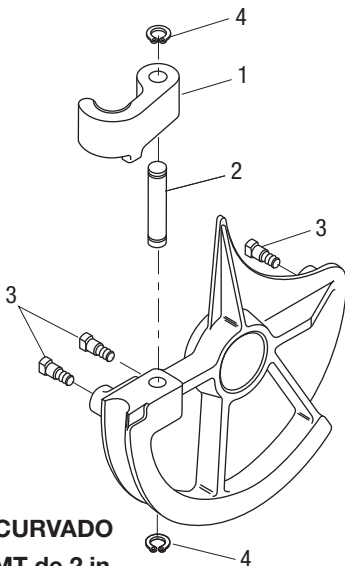
La zapata no está disponible por separado.


Zapatas de curvado y soportes de bobina (cont.)

ZAPATA DE CURVADO
Conducto EMT 1-1/2 in

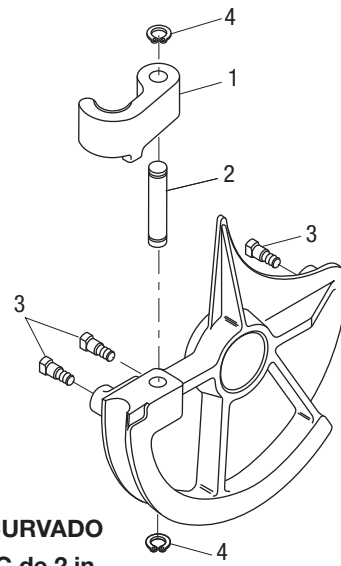
Clave	N.º de pieza	Descripción	Cant.
	50234994	Unidad de zapata, EMT 1-1/2 in (incluye 1-4)	1
1	50188208	Gancho, EMT 1-1/2 in	1
2	50188410	Pasador, gancho EMT 1-1/2 in.....	1
3	50234226	Perno, accionamiento	3
4	90515293	Anillo, retención Tru-Arc N.º 5160-87.....	2


ZAPATA DE CURVADO
Conducto IMC de 1-1/2 in

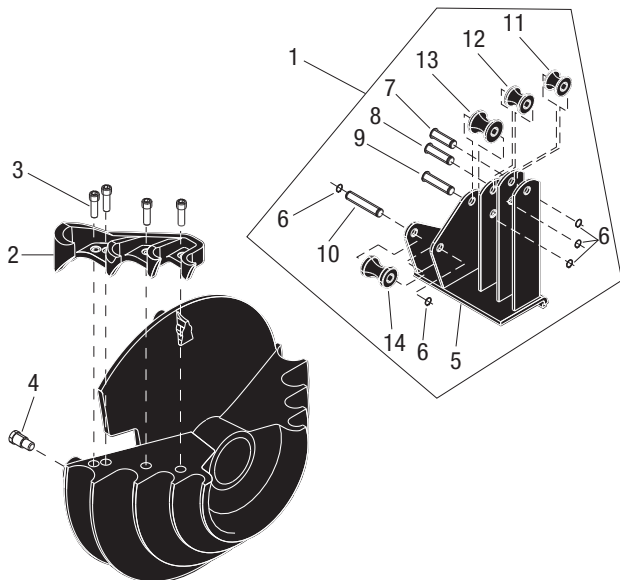
Clave	N.º de pieza	Descripción	Cant.
	50253631	Unidad de zapata, IMC 1-1/2 in (incluye 1-4)	1
1	50188119	Gancho, IMC 1-1/2 in	1
2	50188372	Pasador, IMC 1-1/2 in.....	1
3	50234226	Perno, accionamiento.....	3
4	90515285	Anillo, retención Tru-Arc.....	2


ZAPATA DE CURVADO
Conducto EMT de 2 in

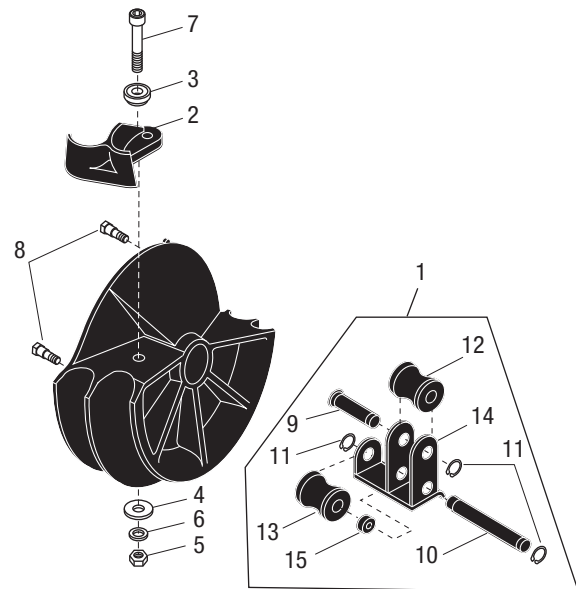
Clave	N.º de pieza	Descripción	Cant.
	50235052	Unidad de zapata, conducto EMT 2 in (incluye 1-4) ...	1
1	50188186	Gancho, EMT 2 in.....	1
2	50188429	Pasador, gancho EMT 2 in	1
3	50234226	Perno, accionamiento	3
4	90515293	Anillo, retención, Tru-Arc N.º 5160-87.....	2


ZAPATA DE CURVADO
Conducto IMC de 2 in

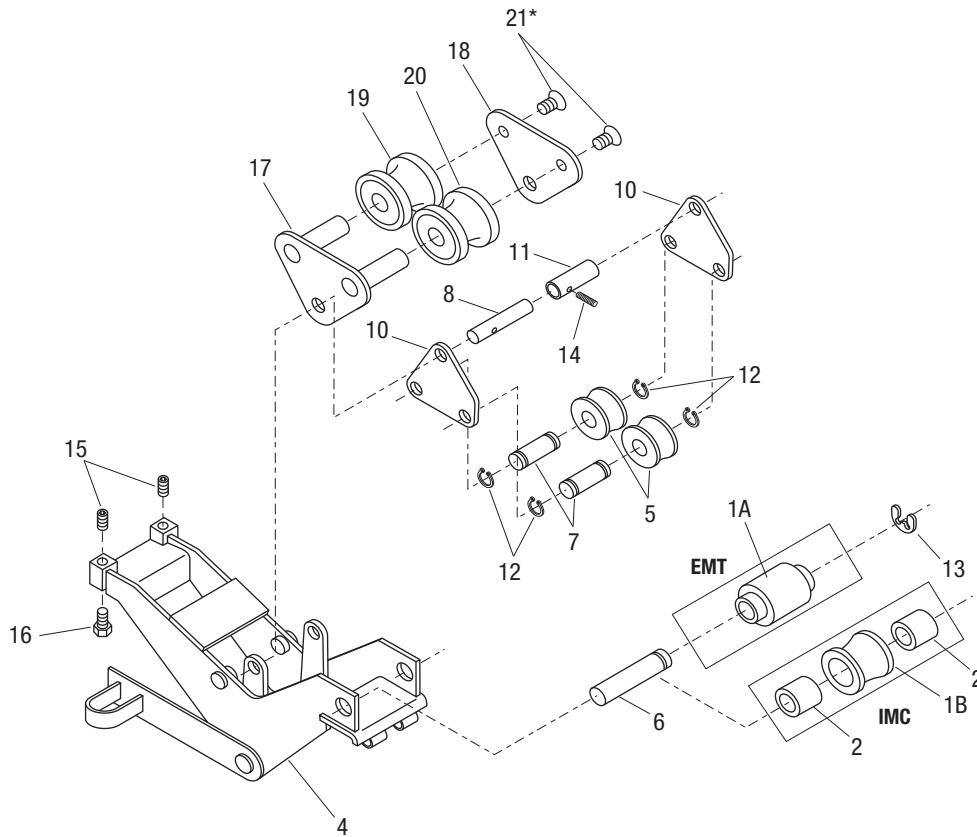
Clave	N.º de pieza	Descripción	Cant.
	50252682	Unidad de zapata, IMC 2 in IMC (incluye 1-4)	1
1	50001957	Gancho, IMC 2 in	1
2	50188429	Pasador, IMC 2 in	1
3	50234226	Perno, accionamiento	3
4	90515293	Anillo, retención Tru-Arc	2

Zapatas de curvado y soportes de bobina (cont.)

ZAPATA DE CURVADO Y SOPORTE DE BOBINA
Conducto rígido de 1/2 in a 1-1/4 in con revestimiento de PVC de 40 mil

Clave	N.º de pieza	Descripción	Cant.
1	50009460	Soporte de bobina, rígido recubierto de PVC de 1/2 in a 1-1/4 in (incluye 5-14).....	1
	50005731	Sistema de zapatas de curvado, rígido recubierto de PVC de 1/2 in a 1-1/4 in (incluye 2-4)	1
2	50005707	Gancho	1
3	90510887	Tornillo de cabeza hueca 3/8-16 UNC x 1-1/4 in ...	4
4	50234226	Perno, accionamiento	3
5	50009451	Pieza soldada de soporte, rodillo.....	1
6	90513533	Anillo de retención	5
7	50009230	Eje de rodillos de 1/2 in	1
8	50009249	Eje de rodillo de 3/4 in	1
9	50009257	Eje de rodillo de 1 in	1
10	50009265	Eje de rodillo de 1-1/4 in	1
11	50009273	Rodillo de 1/2 in.....	1
12	50009281	Rodillo de 3/4 in.....	1
13	50009290	Rodillo de 1 in	1
14	50009303	Rodillo de 1-1/4 in	1


ZAPATA DE CURVADO Y SOPORTE DE BOBINA
Conducto rígido de 1-1/2 in a 2 in con revestimiento de PVC de 40 mil

Clave	N.º de pieza	Descripción	Cant.
1	50372823	Soporte de bobina, rígido recubierto de PVC de 1-1/2 in a 2 in (incluye 9-15)	1
	50372815	Sistema de zapatas de curvado, PVC 1-1/2 in a 2 in (incluye 2-8)	1
2	50024990	Gancho.....	1
3	50179748	Pivote	1
4	90526759	Arandela plana de 5/8 in	1
5	90515692	Tuerca hexagonal 5/8-11 UNC	1
6	90509056	Arandela de seguridad de 5/8 in	1
7	90524268	Tornillo de cabeza hueca 5/8-11 UNC x 4 in ..	1
8	50234226	Perno, accionamiento	4
9	50376624	Eje de 1-1/2 in	1
10	50376616	Eje de 2 in.....	1
11	90515285	Anillo de retención.....	3
12	50372840	Rodillo de 1-1/2 in.....	1
13	50372831	Rodillo de 2 in	1
14	50376640	Pieza soldada de soporte.....	1
15	50320254	Espaciador	1

Zapatas de curvado y soportes de bobina (cont.)

UNIDAD DE SOPORTE DE BOBINA EMT

Clave	N.º de pieza	Descripción	Cant.
	50235419	Unidad de soporte, rodillo EMT de 1-1/2 in y 2 in (incluye todo lo siguiente).....	1
1A	50279831	Unidad de rodillo, amortiguada.....	1
4	50235397	Unidad de armazón.....	1
5	50235109	Rodillo, EMT 1-1/2 in.....	2
6	50235117	Pasador, soporte de bobina.....	1
7	50239325	Pasador, rodillo EMT 1-1/2 in.....	2
8	50235176	Pasador, rodillo pivote.....	1
10	50235249	Placa, pivote EMT de 1-1/2 in.....	2
11	50237934	Espaciador.....	1
12	90515285	Anillo, retención.....	4
13	90524640	Anillo, Tru-Arc N.º X5133-98 serie externa "E" de retención.....	1
14	90514912	Pasador elástico, N.º 59, -040-187-1250.....	1
15	90528484	Tornillo, prisionero con copa ahuecada de 1/2-13 UNC x 3/4.....	2
16	90505425	Tornillo, cabeza hexagonal 1/2-13 UNC x 1....	2
17	50349643	Pieza soldada de soporte, rodillo de 2 in.....	1
18	50349651	Placa, soporte de bobina interno de 2 in.....	1
19	50235192	Rodillo, EMT delantero de 2 in.....	1
20	50237926	Rodillo, EMT trasero de 2 in.....	1
21*	90533941	Tornillo, cabeza plana de 7/16-14 UNC x 1....	2

UNIDAD DE SOPORTE DE BOBINA IMC

Clave	N.º de pieza	Descripción	Cant.
	50252739	Unidad de soporte, rodillo IMC de 1-1/2 in y 2 in (incluye 1 y 2).....	1
1B	50283340	Rodillo.....	1
2	50283359	Espaciador.....	2
4	50263250	Unidad de armazón.....	1
5	50252747	Rodillo, IMC de 1-1/2 in.....	2
6	50235117	Pasador, soporte de bobina.....	1
7	50239325	Pasador, rodillo IMC 1-1/2 in.....	2
8	50235176	Pasador, rodillo pivote.....	1
10	50235249	Placa, pivote IMC de 1-1/2 in.....	2
11	50237934	Espaciador.....	1
12	90515285	Anillo, retención.....	4
13	90524640	Anillo, Tru-Arc N.º X5133-98 serie externa "E" de retención.....	1
14	90514912	Pasador elástico, N.º 59, -040-187-1250.....	1
15	90528484	Tornillo, prisionero con copa ahuecada de 1/2-13 UNC x 3/4.....	2
16	90505425	Tornillo, cabeza hexagonal 1/2-13 UNC x 1....	2
17	50349643	Pieza soldada de soporte, rodillo de 2 in.....	1
18	50349651	Placa, soporte de bobina interno de 2 in.....	1
19	50252798	Rodillo, IMC de 2 in.....	2
21*	90533941	Tornillo, cabeza plana de 7/16-14 UNC x 1....	2

*El número de clave 21 debe tener un par de apriete de 54 a 61 Nm (40 a 45 ft-lb).

