

P/N: T300095

Copyright

© 2021, FLIR Systems, Inc.

All rights reserved worldwide. Names and marks appearing herein are either registered trademarks or trademarks of FLIR Systems and/or its subsidiaries. All other trademarks, trade names or company names referenced herein are used for identification only and are the property of their respective owners.

Document identity

Publ. No.: T300095

Commit: 79192

Language:

Modified: 2021-09-08

Formatted: 2021-11-09

Website

<http://www.flir.com>

Customer support

<http://support.flir.com>

Disclaimer

Specifications subject to change without further notice. Camera models and accessories subject to regional market considerations. License procedures may apply. Products described herein may be subject to US Export Regulations. Please refer to exportquestions@flir.com with any questions.



General description	
<p>The 6° lens is a popular accessory that provides outstanding magnification of details at long distances. It is ideal for small or distant targets such as overhead power lines.</p> <p>To use the lens together with cameras of the FLIR A400, FLIR A500, and FLIR A700 series, see more information in the datasheets of those products.</p>	
Imaging and optical data	
Field of view (FOV)	6° × 4.5° (7.5° diagonally)
Minimum focus distance	5.0 m (16.4 ft.)
Focal length	70 mm (2.8 in.)
Spatial resolution (IFOV)	Dependent on the IR resolution of the camera: <ul style="list-style-type: none"> • 320 × 240 pixels: 0.34 mrad/pixel • 464 × 348 pixels: 0.24 mrad/pixel • 640 × 480 pixels: 0.17 mrad/pixel
Lens identification	Yes, service calibration required
F-number	1.35
Number of lenses	4 (4 asph)
Distortion	< 4.2%
Physical data	
Weight	0.42 kg (0.93 lb.)
Size (L × D)	108 × 75 mm (4.3 × 3.0 in.)
Front lens diameter	63 mm (2.5 in.)
Shipping information	
Packaging, type	Cardboard box
List of contents	<ul style="list-style-type: none"> • Lens • Lens case • Front lens cap • Rear lens cap • Lens mounting instructions



IR lens, f=70 mm (6°) with case

P/N: T300095

© 2021, FLIR Systems, Inc.

#T300095; r. 79192;

Shipping information	
Packaging, weight	1.1 kg (2.4 lb.)
Packaging, size	215 × 140 × 150 mm (8.46 × 5.51 × 5.91 in.)
EAN-13	7332558023037
UPC-12	845188018702
Country of origin	Sweden

Compatible with the following products:

- 85900-0000; FLIR A700 Thermal Core
- 85902-0102; FLIR A700 24° Professional Science Kit
- 85902-0202; FLIR A700 24° Standard Science Kit
- 90600-0000; FLIR A500 Thermal Core
- 91900-0000; FLIR A400 Thermal Core
- 91902-0202; FLIR A400 24° Standard Science Kit
- 91903-0102; FLIR A400 24° Professional Science Kit
- 79301-0101; FLIR T530 14°
- 79302-0101; FLIR T530 24°
- 79304-0101; FLIR T530 24° + 14°
- 79306-0101; FLIR T530 24° + 14° & 42°
- 79305-0101; FLIR T530 24° + 42°
- 79303-0101; FLIR T530 42°
- 79307-0101; FLIR T530 42° + 14°
- 79301-0201; FLIR T540 14°
- 79302-0201; FLIR T540 24°
- 79304-0201; FLIR T540 24° + 14°
- 79306-0201; FLIR T540 24° + 14° & 42°
- 79305-0201; FLIR T540 24° + 42°
- 79303-0201; FLIR T540 42°
- 79307-0201; FLIR T540 42° + 14°
- 89001-0101; FLIR T560 14°
- 89002-0101; FLIR T560 24°
- 89004-0101; FLIR T560 24° + 14°
- 89006-0101; FLIR T560 24° + 14° & 42°
- 89005-0101; FLIR T560 24° + 42°
- 89003-0101; FLIR T560 42°
- 89007-0101; FLIR T560 42° + 14°
- 82501-0201; FLIR T840 14°
- 82502-0201; FLIR T840 24°
- 82504-0201; FLIR T840 24° + 14°
- 82506-0201; FLIR T840 24° + 14° & 42°
- 82509-0201; FLIR T840 24° + 14° & 6°
- 82505-0201; FLIR T840 24° + 42°
- 82508-0201; FLIR T840 24° + 6°
- 82503-0201; FLIR T840 42°
- 82507-0201; FLIR T840 42° + 14°
- 89201-0101; FLIR T860 14°
- 89202-0101; FLIR T860 24°
- 89204-0101; FLIR T860 24° + 14°
- 89206-0101; FLIR T860 24° + 14° & 42°
- 89211-0101; FLIR T860 24° + 14° & 6°
- 89205-0101; FLIR T860 24° + 42°
- 89210-0101; FLIR T860 24° + 6°
- 89203-0101; FLIR T860 42°
- 89207-0101; FLIR T860 42° + 14°
- 89201-0201; FLIR T865 14°
- 89202-0201; FLIR T865 24°
- 89204-0201; FLIR T865 24° + 14°



IR lens, f=70 mm (6°) with case

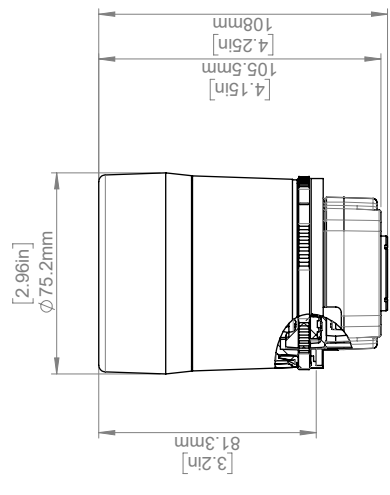
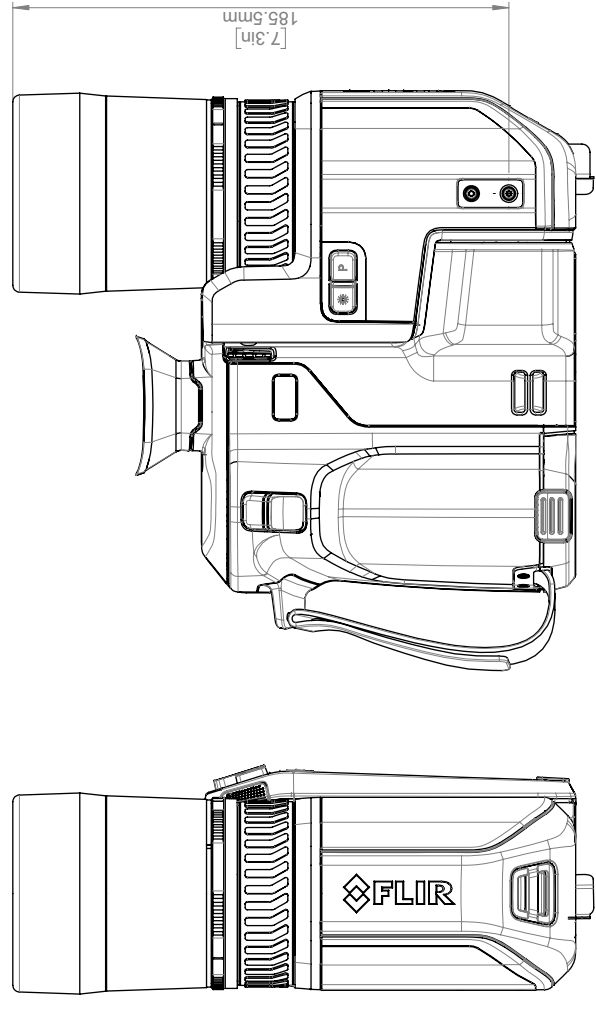
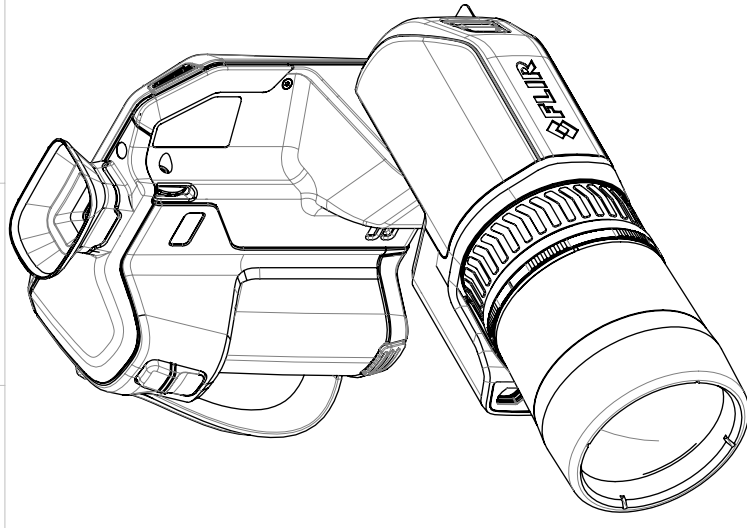
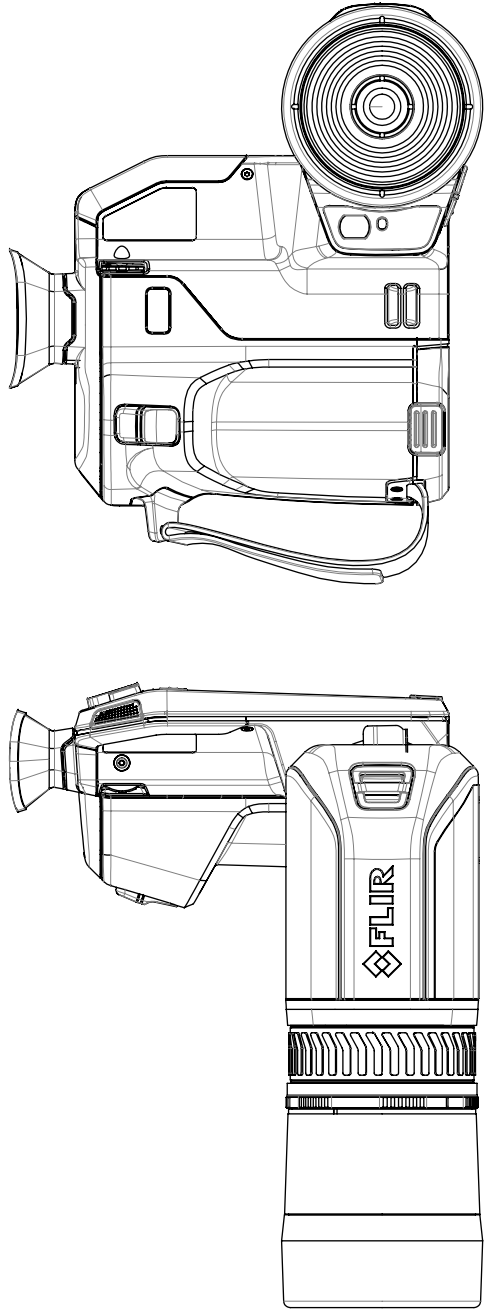
P/N: T300095

© 2021, FLIR Systems, Inc.

#T300095; r. 79192;

- 89206-0201; FLIR T865 24° + 14° & 42°
- 89213-0201; FLIR T865 24° + 14° & 6°
- 89205-0201; FLIR T865 24° + 42°
- 89212-0201; FLIR T865 24° + 6°
- 89203-0201; FLIR T865 42°
- 89207-0201; FLIR T865 42° + 14°

Camera with Lens IR f=70mm (6°)



For additional dimensions see page 1

© 2016, FLIR Systems, Inc. All rights reserved worldwide. No part of this drawing may be reproduced, stored in a retrieval system, or transmitted in any form, or by any means, electronic, mechanical, photocopying, recording, or otherwise, without written permission from FLIR Systems, Inc. Specifications subject to change without further notice. Dimensions data is based on nominal values. Products may be subject to regional market considerations. License procedures may apply. Product may be subject to US Export Regulations. Please refer to exportrequests@flir.com with any questions. Diversion contrary to US law is prohibited.

Modified 2020-01-14 Denomination	Check JOHE	Drawn by R&D Instruments	Size A3	Sheet 3(4)	Rev C
Basic dimensions FLIR T8xx			Scale 1:5	Drawing No. T129914	