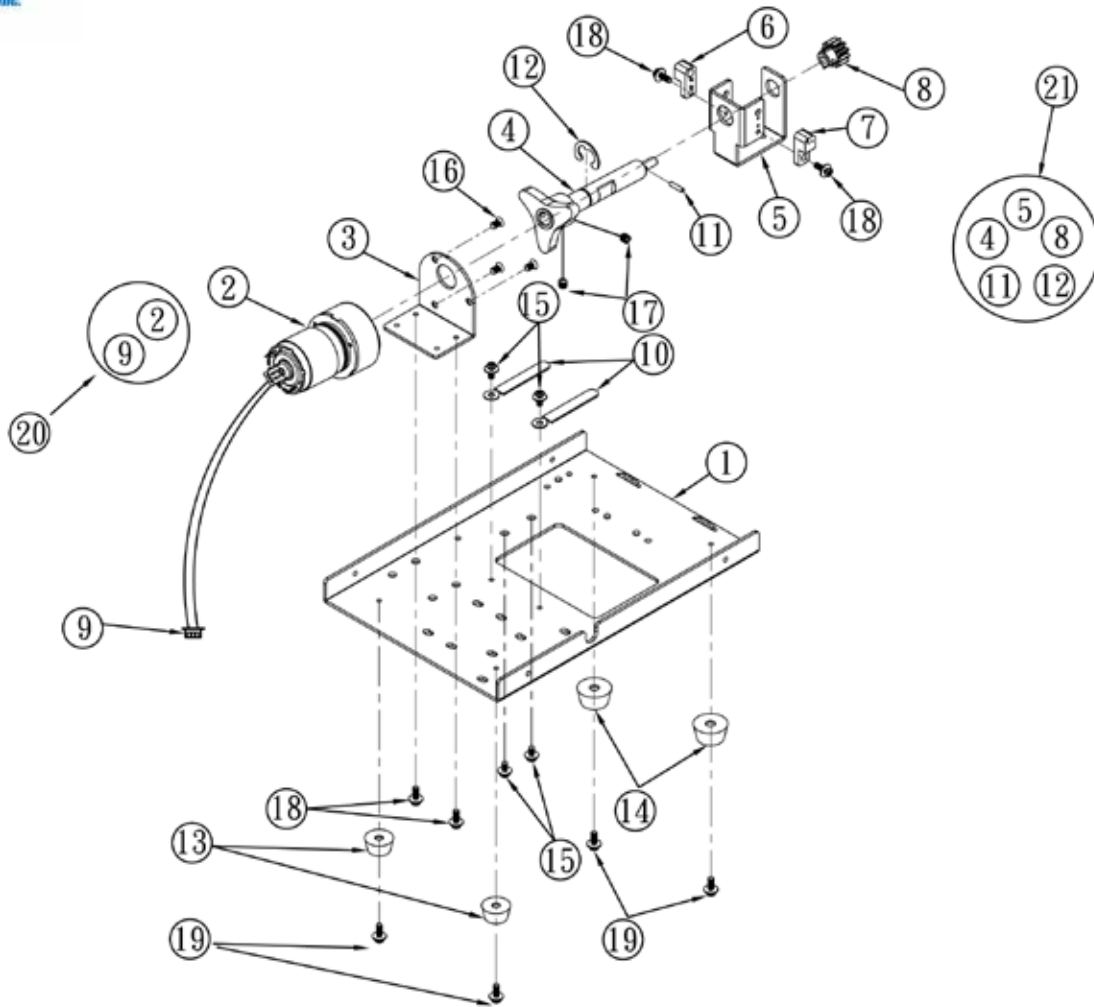


Delta Regis Model # DRFF-520 Screw Feeder - Parts List (Ser No. Starting 1119DLT06301)

Delta Regis Tools, Inc. · 7370 Commercial Circle, Fort Pierce, FL 34951 · Tel: (888) 500-2755 / (772) 465-4302 · Fax: (866) 500-7270 / (772) 465-4368 · www.deltaregis.com

Ref #	Part Number	Description	Page #
A	DRFF-99001	Drive Motor & Base Assembly	1
B	DRFF-99002	Vibration Motor Assembly	2
C	DRFF-99003	Sensor Bracket Assembly	3
D	DRFF-99004-1.4	Rail Assembly - Set For 1.4mm Screw (Factory Default Size)	4
E	DRFF-99005A	Bit Guide and PCB Assembly	5
F	DRFF-99006	Scooping Chamber Assembly	6
	DRFF-99007	Roller Assembly	7
	DRFF-99008	Front Brush Holder Plate Assembly	8
	DRFF-99009	Brush Assembly	9
	DRFF-99010	Rear Plate and Power Bracket Assembly	9
G	DRFF-99011	Rail Adjustment Kit Assembly	10
H	DRFF-99012	Housing Assembly	11

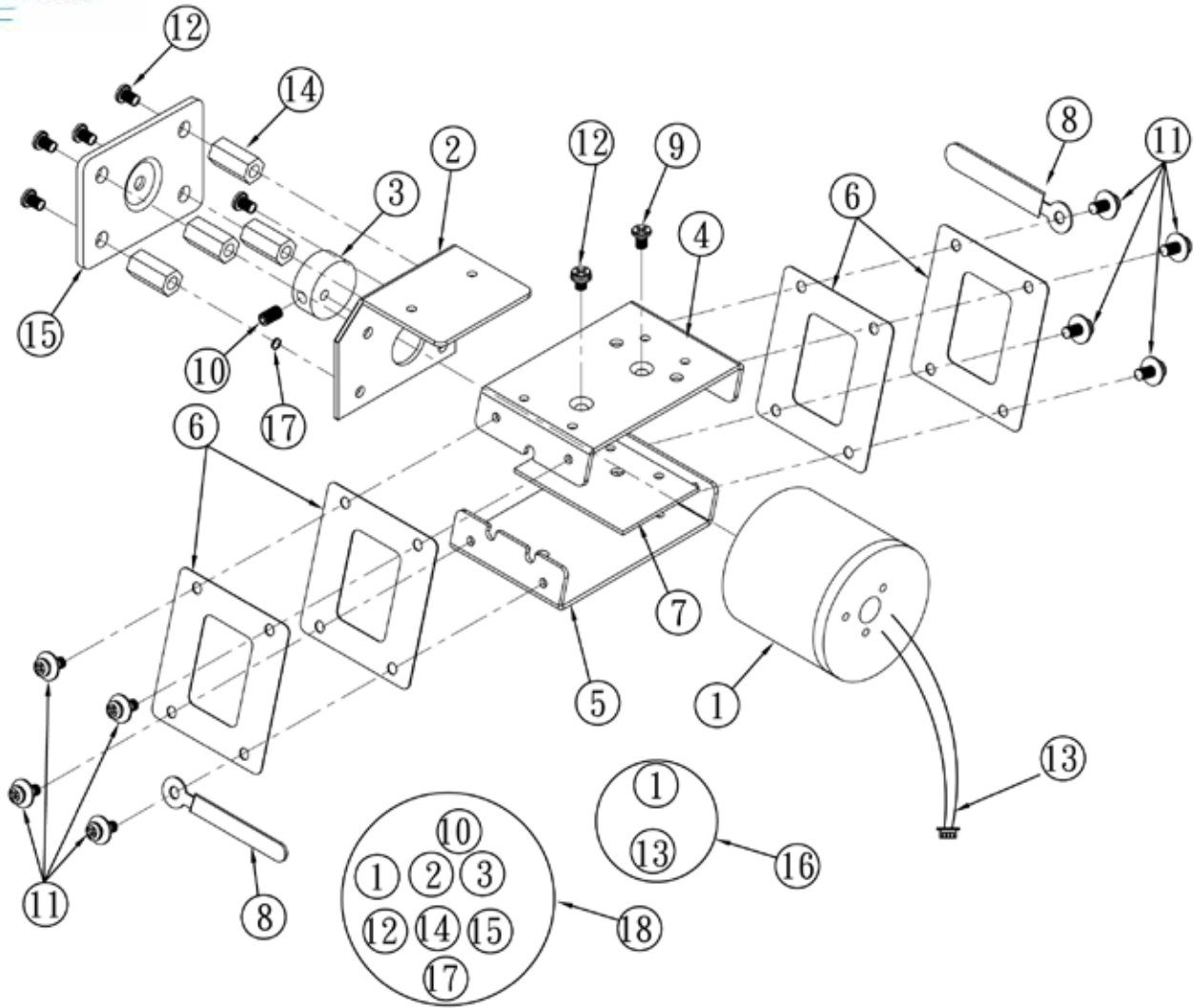


DRFF-99001 - Drive Motor & Base Assembly - Parts List

Delta Regis Tools, Inc. · 7370 Commercial Circle, Fort Pierce, FL 34951 · Tel: (888) 500-2755 / (772) 465-4302 · Fax: (866) 500-7270 / (772) 465-4368 · www.deltaregis.com

Ref #	Part Number	Description	QTY
1	DRFF-80001	Base	1
2	DRFF-54001	Drive Motor - NOT FOR SALE	1
3	DRFF-50001	Drive Motor Bracket	1
4	DRFF-30001	Drive Shaft	1
5	DRFF-30002	Drive Shaft Bracket	1
6	DRFF-40001	Light Receiver Sensor	1
7	DRFF-40002	Light Emitter Sensor	1
8	DRFF-30003	Driving Gear	1
9	DRFF-40003	Drive Motor Wire Harness - NOT FOR SALE	1
10	DRFF-11001	Wire Guide Clip	2
11	DRFF-15001	Spring Pin	1
12	DRFF-11002	Snap Ring	1
13	DRFF-11016A	Rubber Foot (Front)	2
14	DRFF-11017A	Rubber Foot (Back)	2
15	DRFF-10001	Pan Head Screw w/ Washers	4
16	DRFF-10010	Flat Head Screw	3
17	DRFF-10004	Hex Head Set Screw	2
18	DRFF-10005	Pan Head Screw w/ Washers	4
19	DRFF-10021	Pan Head Screw w/ Washers	4
20	DRFF-99013	Drive Motor w/ Wire Harness	1
21	DRFF-99014	Drum Shaft (Semi-Complete)	1

Last update - Feb 2020, subject to change without notice

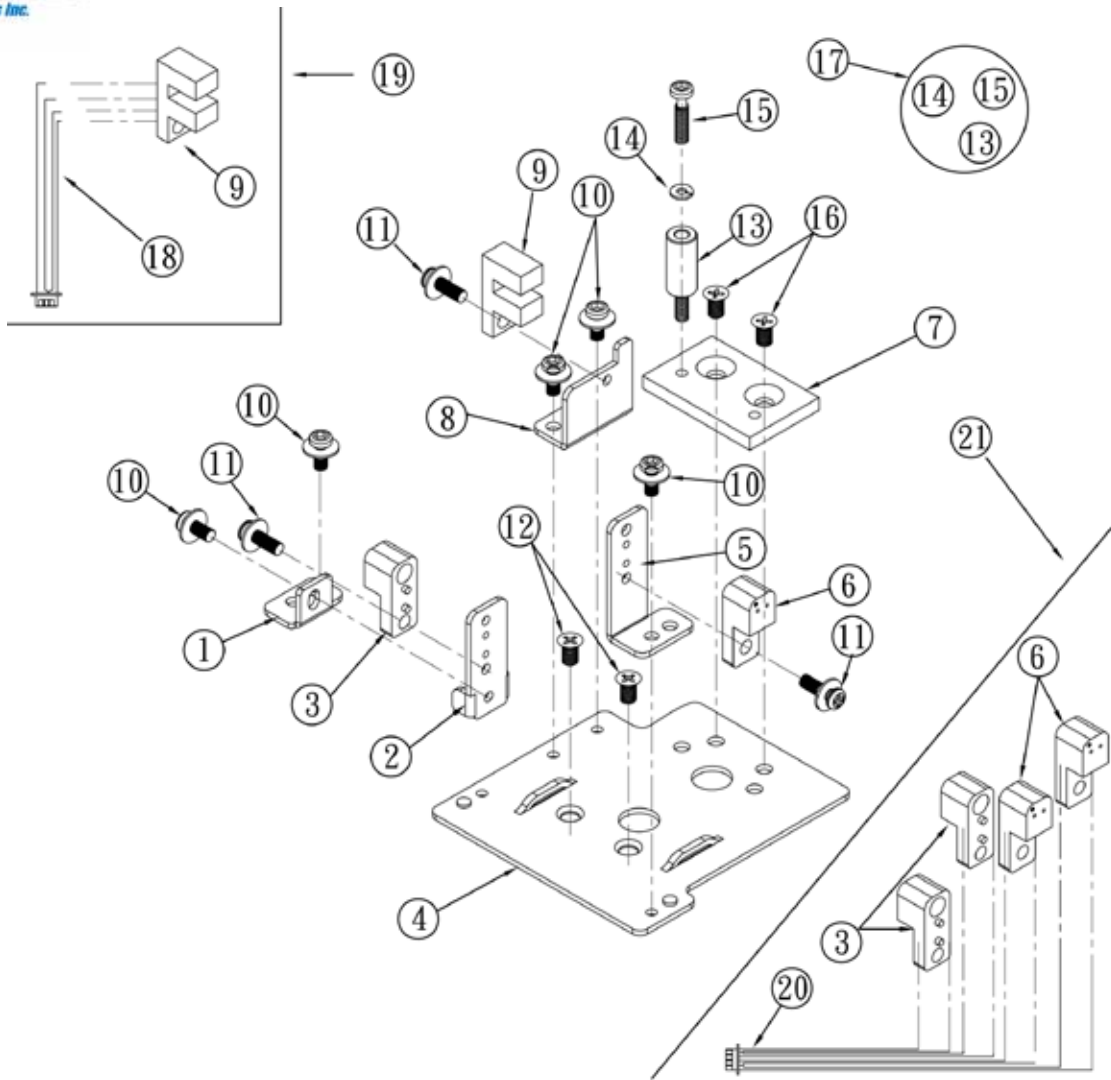


DRFF-99002 - Vibration Motor Assembly - Parts List

Delta Regis Tools, Inc. · 7370 Commercial Circle, Fort Pierce, FL 34951 · Tel: (888) 500-2755 / (772) 465-4302 · Fax: (866) 500-7270 / (772) 465-4368 · www.deltaregis.com

Ref #	Part Number	Description	QTY
1	DRFF-54002A	Vibration Motor - NOT FOR SALE	1
2	DRFF-50003A	Vibration Motor Bracket	1
3	DRFF-40010	Vibration Wheel	1
4	DRFF-50004	Vibration Bracket (Top)	1
5	DRFF-50005	Vibration Bracket (Bottom)	1
6	DRFF-50006	Vibration Spring Plate	4
7	DRFF-94001	Vibration Motor Spacer	1
8	DRFF-11001	Wire Guide Clip	2
9	DRFF-10006A	Pan Head Screw	1
10	DRFF-10007	Hex Head Set Screw	1
11	DRFF-10001	Pan Head Screw w/ Washers	8
12	DRFF-10008	Pan Head Screw	6
13	DRFF-40013	Vibration Motor Wire Harness - NOT FOR SALE	1
14	DRFF-50007	Stand Off	4
15	DRFF-50008	Vibration Wheel Cover Plate	1
16	DRFF-99015	Vibration Motor w/ Wire Harness	1
17	DRFF-11003	Spring Washer	4
18	DRFF-99016	Vibration Motor Assembly (Semi-Complete)	1

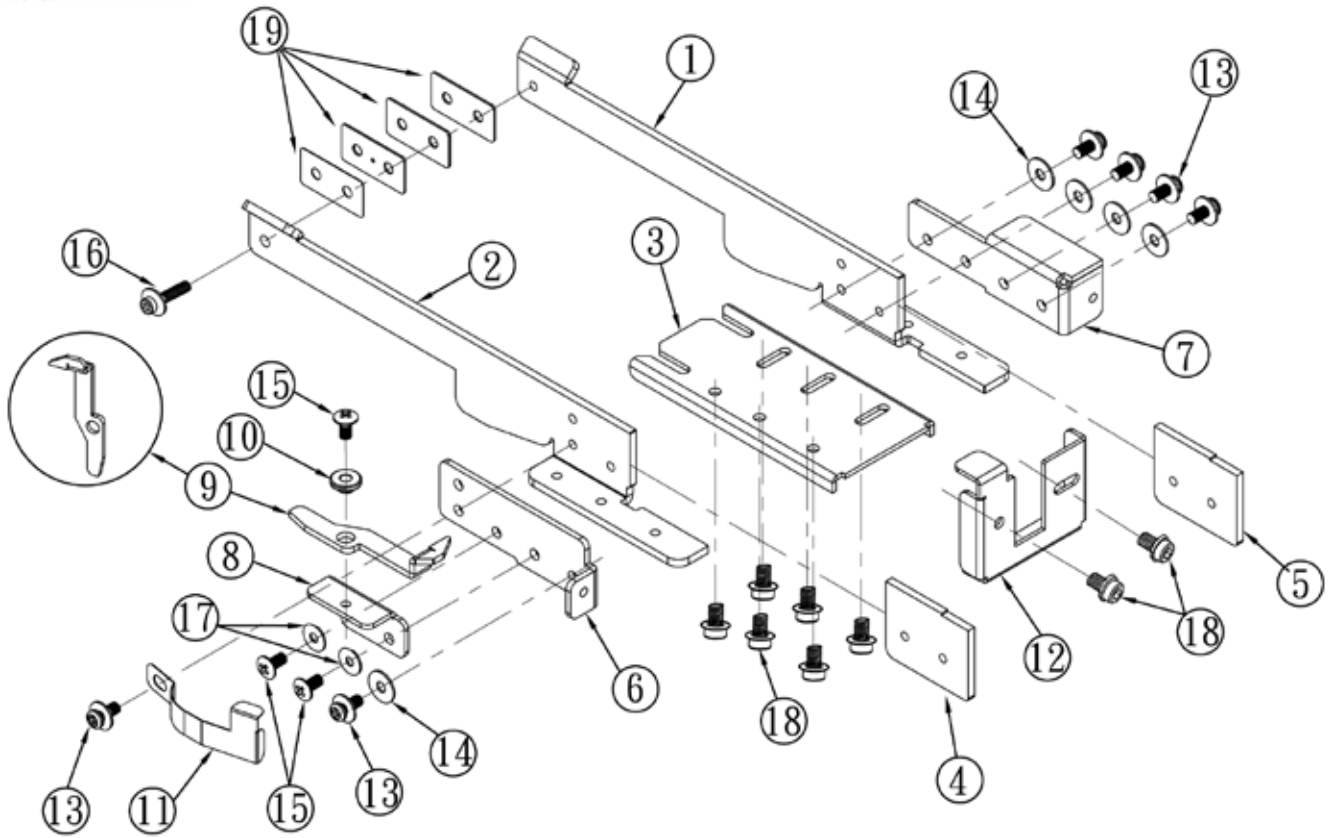
Last update - Feb 2020, subject to change without notice



DRFF-99003 - Sensor Bracket Assembly - Parts List

Delta Regis Tools, Inc. · 7370 Commercial Circle, Fort Pierce, FL 34951 · Tel: (888) 500-2755 / (772) 465-4302 · Fax: (866) 500-7270 / (772) 465-4368 · www.deltaregis.com

Ref #	Part Number	Description	QTY
1	DRFF-17001	Sensor Bracket (L1)	1
2	DRFF-17002	Sensor Bracket (L2)	1
3	DRFF-40001	Light Receiver Sensor	1
4	DRFF-17003	Sensor Support Plate	1
5	DRFF-17045	Sensor Bracket (R)	1
6	DRFF-40002	Light Emitter Sensor	1
7	DRFF-17004	Guide Plate Rail Support Plate	1
8	DRFF-17005	'F' Sensor Bracket	1
9	DRFF-40004	'F' Sensor	1
10	DRFF-10009	Hex Head Screw w/ Washers	5
11	DRFF-10005	Pan Head Screw w/ Washers	3
12	DRFF-10010	Countersunk Head Screw	2
13	DRFF-10011	Rail Support Fixing Screw	1
14	DRFF-11003	Spring Washer	1
15	DRFF-10012	Hex Head Screw	1
16	DRFF-10022	Flat Head Screw	2
17	DRFF-99017	Rail Fixing Screw Assembly	1
18	DRFF-40014	'F' Sensor Wire Harness	1
19	DRFF-99018	'F' Sensor w/ Wire Harness	1
20	DRFF-40015	Light Sensor Wire Harness	1
21	DRFF-99019	Light Sensors w/ Wire Harness	1



DRFF-99004-X.X** - Rail Assembly - Parts List

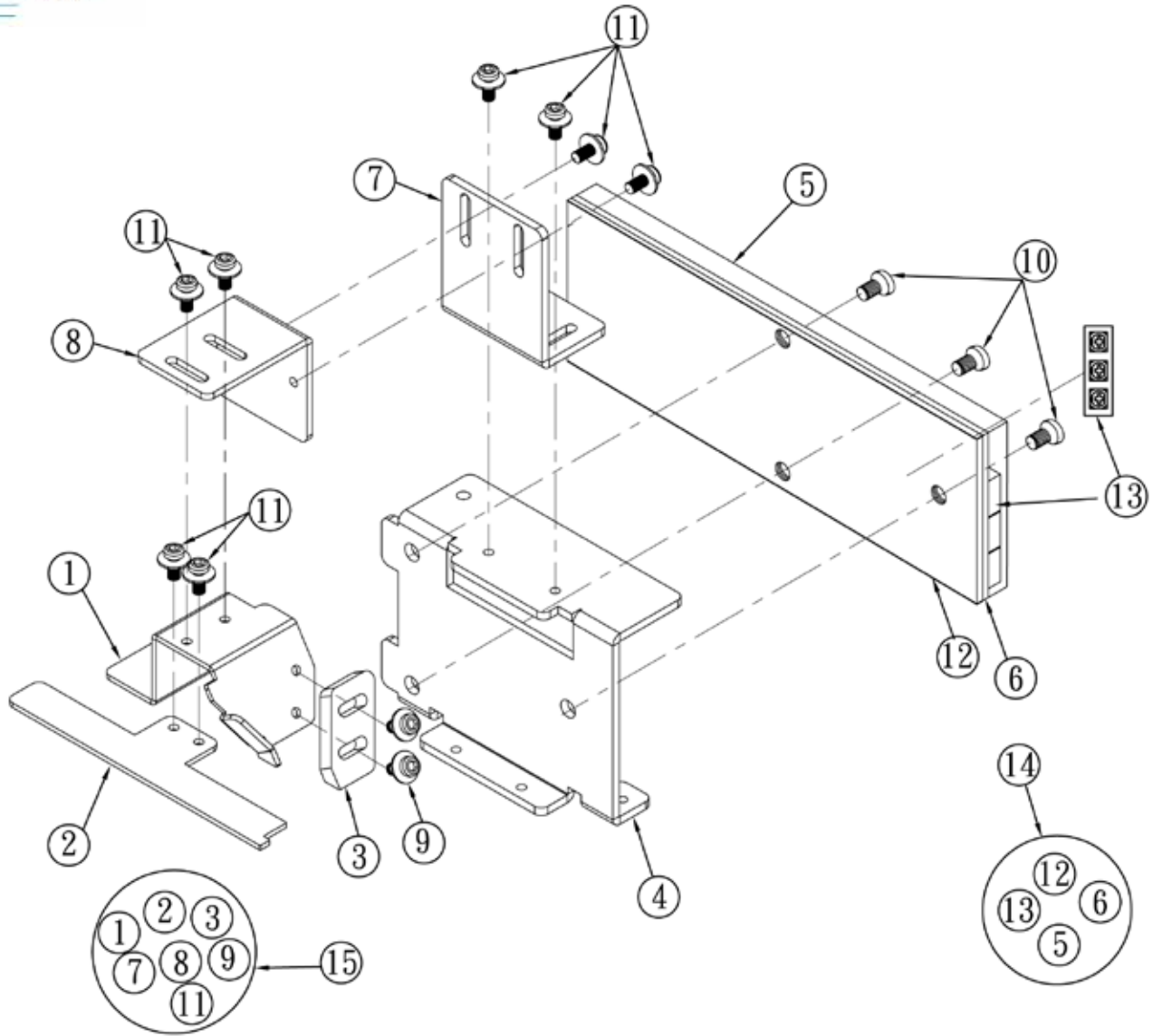
Delta Regis Tools, Inc. Delta Regis Tools, Inc. - 7370 Commercial Circle, Fort Pierce, FL 34951 - Tel: (888) 500-2755 / (772) 465-4302 - Fax: (866) 500-7270 / (772) 465-4368 - www.deltaregis.com - 6945
 LTC Pkwy, Port St. Lucie, FL 34986 - Tel: (888) 500-2755 / (772) 465-4302 - Fax: (866) 500-7270 / (772) 465-4368 - www.deltaregis.com

Ref #	Part Number	Description	QTY
1	DRFF-17006	Rail (R)	1
2	DRFF-17007	Rail (L)	1
3	DRFF-17008	Rail Base	1
4	DRFF-17009	Rail Tip (L)	1
5	DRFF-17010	Rail Tip (R)	1
6	DRFF-17011	Rail Tip Support Plate (L)	1
7	DRFF-17012	Rail Tip Support Plate (R)	1
8	DRFF-17013	Stopper Bracket	1
9	DRFF-17014	Stopper 1.0~2.0mm	1
	DRFF-17015	Stopper 2.0~5.0mm	1
10	DRFF-11004	Stopper Washer	1
11	DRFF-17016	Stopper Spring	1
12	DRFF-17017	Rail Front Cover	1
13	DRFF-10001	Pan Head Screw w/ Washers	6
14	DRFF-11005	Washer	5
15	DRFF-10013	Truss Head Screw	3
16	DRFF-10014	Hex Socket Head Cap Screw w/ Washers	1
17	DRFF-11003	Spring Washer	2
18	DRFF-10023	Hex Socket Head Cap Screw	8
19	DRFF-11015	Spacer Shim 0.2mm	as req'd
	DRFF-11014	Spacer Shim 0.5mm	as req'd

** 'X.X' represents the required preset rail size in mm

eg - standard rail is for 1.4mm screw, part number DRFF-99004-1.4

Last update - Feb 2020, subject to change without notice

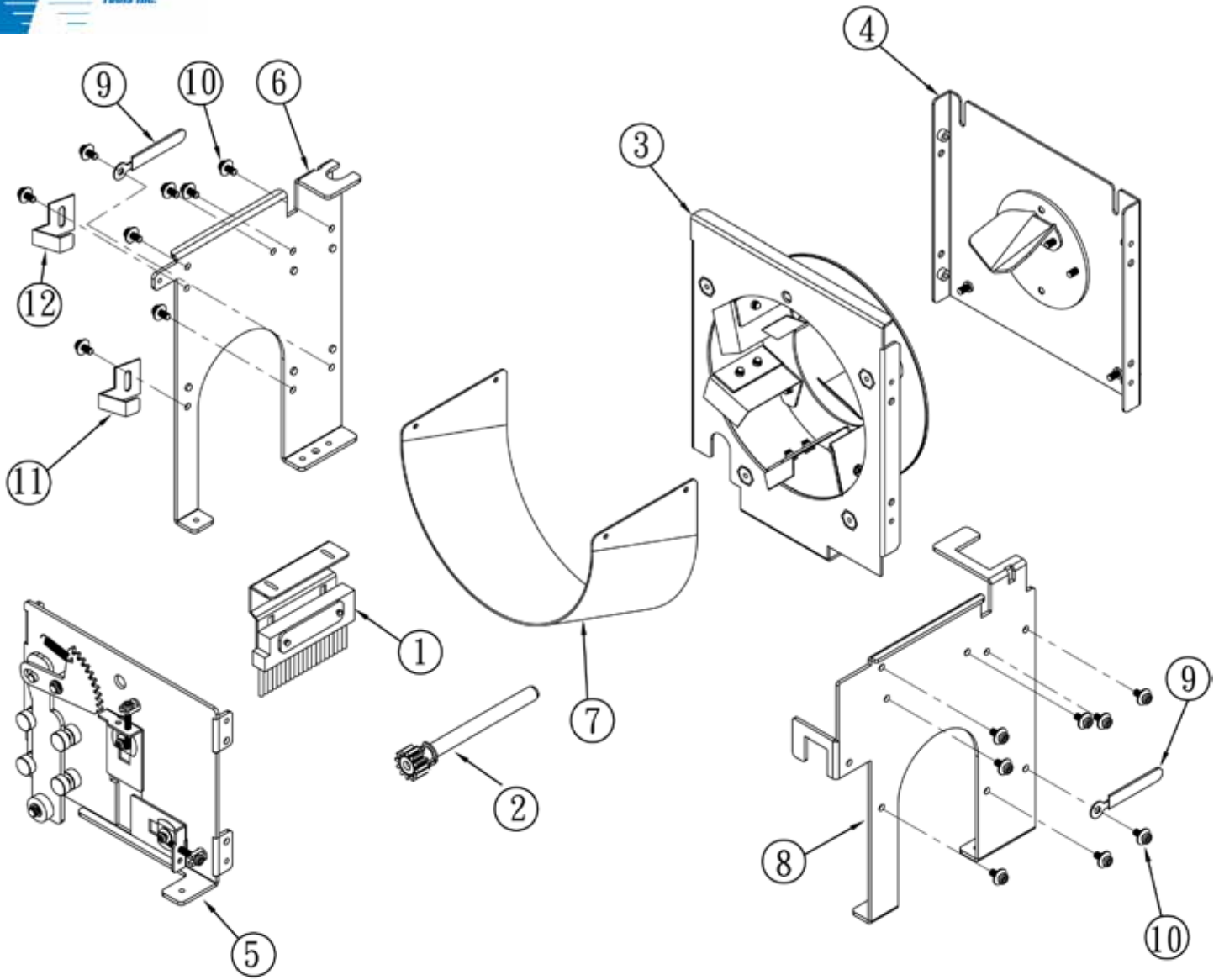


DRFF-99005A - Bit Guide and PCB Assembly - Parts List

Delta Regis Tools, Inc. • 7370 Commercial Circle, Fort Pierce, FL 34951 • Tel: (888) 500-2755 / (772) 465-4302 • Fax: (866) 500-7270 / (772) 465-4368 • www.deltaregis.com

Ref #	Part Number	Description	QTY
1	DRFF-17018	Bit Guide	1
2	DRFF-17019	Bit Guide Holding Plate	1
3	DRFF-17020	Bit Guide Block (R)	1
4	DRFF-17021	PCB Bracket Support	1
5	DRFF-40016	PCB Housing	1
6	DRFF-40005A	Control PCB less Potentiometer Assembly	1
7	DRFF-17024	Bit Guide Bracket Support	1
8	DRFF-17023	Bit Guide Bracket	1
9	DRFF-10014	Hex Head Screw w/ Washers	2
10	DRFF-10008	Pan Head Screw	3
11	DRFF-10009	Hex Head Screw w/ Washers	8
12	DRFF-17022A	Control PCB Insulator	1
13	DRFF-40017	Potentiometer Assembly	1
14	DRFF-99020	Control PCB Assembly	1
15	DRFF-99005	Bit Guide Assembly	1

Last update - Feb 2020, subject to change without notice

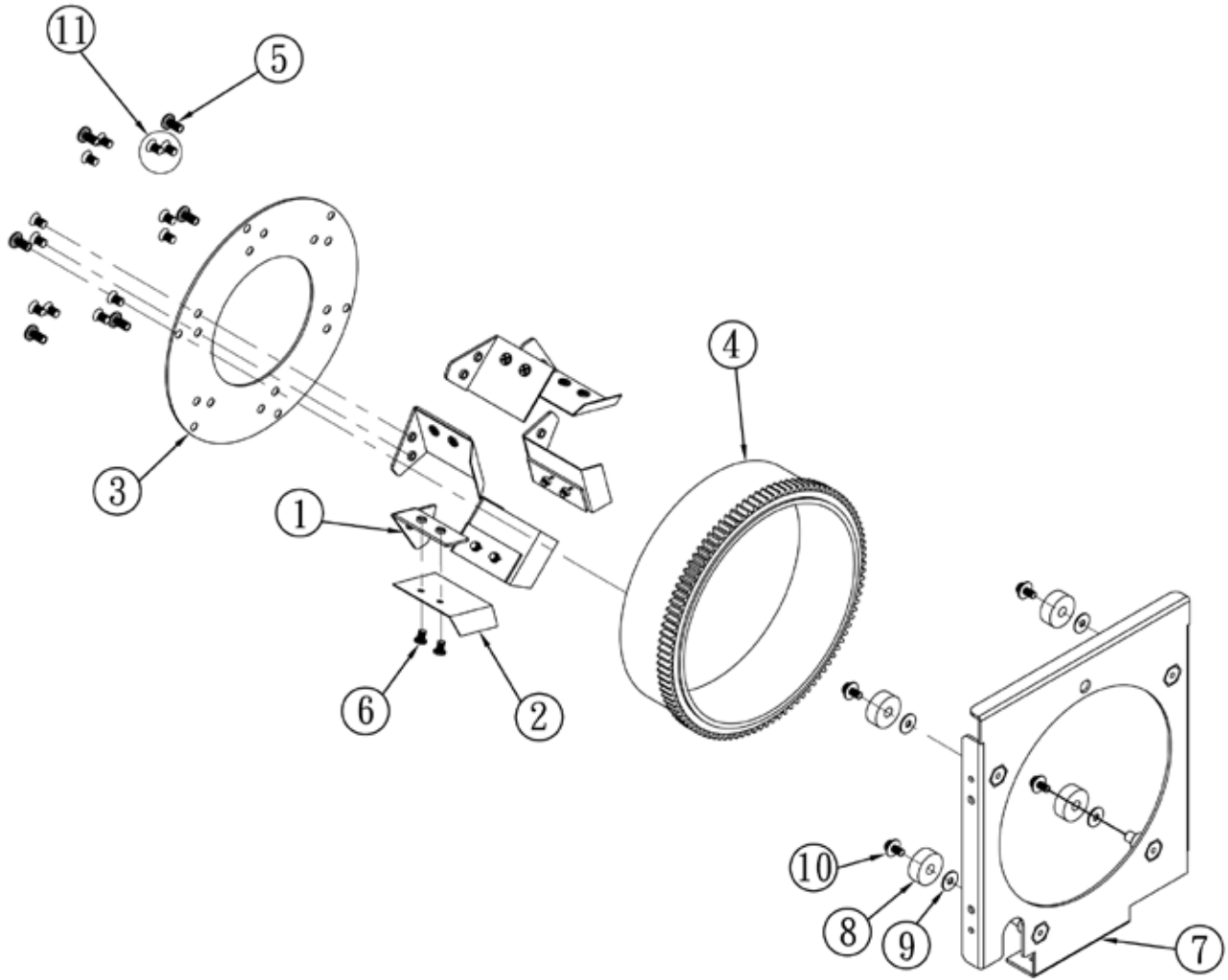


DRFF-99006 - Scooping Chamber Assembly - Parts List

Delta Regis Tools, Inc. · 7370 Commercial Circle, Fort Pierce, FL 34951 · Tel: (888) 500-2755 / (772) 465-4302 · Fax: (866) 500-7270 / (772) 465-4368 · www.deltaregis.com

Ref #	Part Number	Description	QTY
1	DRFF-99009A	Brush Assembly (Semi-Complete)	1
2	DRFF-99021	Brush Shaft (Semi-Complete)	1
3	DRFF-99007	Roller Assembly	1
4	DRFF-99010	Rear Plate and Power Bracket Assembly	1
5	DRFF-99008	Front Brush Holder Plate Assembly	1
6	DRFF-17025	Scooping Chamber L	1
7	DRFF-17026	Scooping Chamber 'U' Plate	1
8	DRFF-17027	Scooping Chamber R	1
9	DRFF-11001	Wire Guide Clip	2
10	DRFF-10001	Pan Head Screw w/ Washers	16
11	DRFF-17046	Auxiliary Plate (Lower)	1
12	DRFF-17047	Auxiliary Plate (Upper)	1

Last update - Feb 2020, subject to change without notice

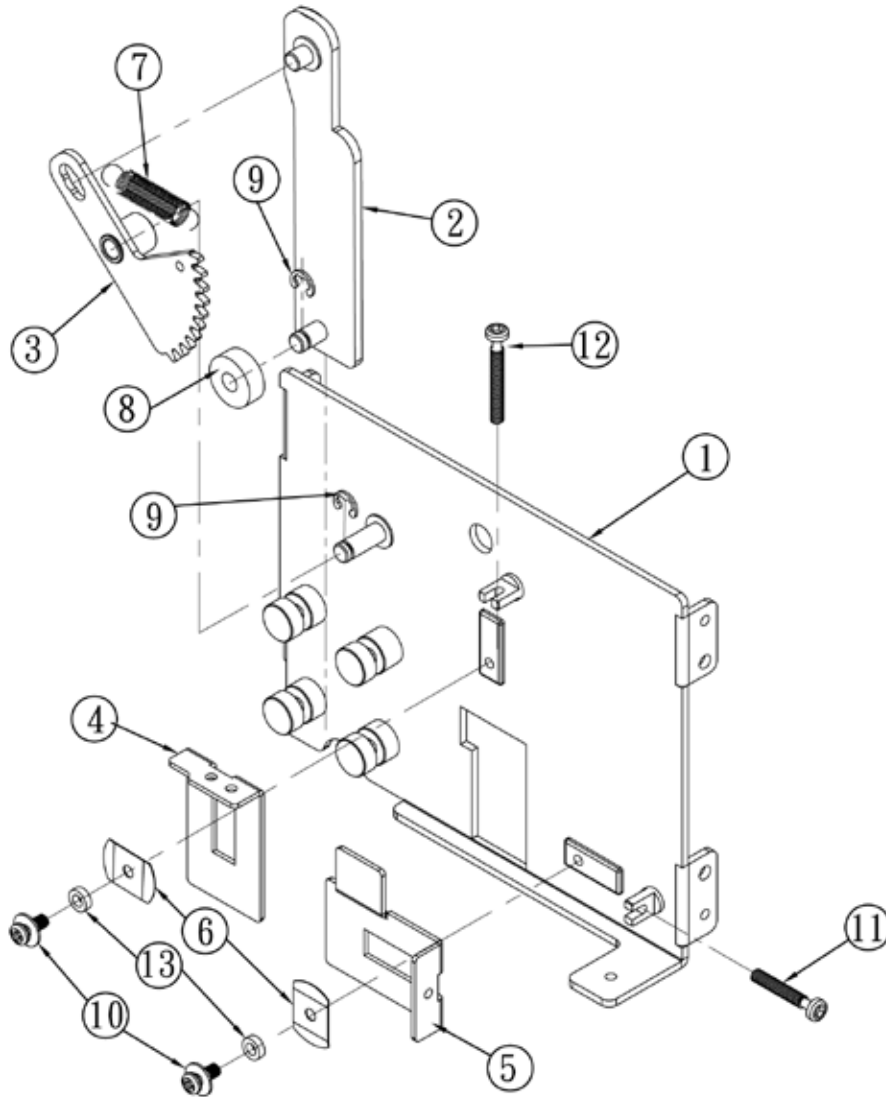


DRFF-99007 - Roller Assembly - Parts List

Delta Regis Tools, Inc. · 7370 Commercial Circle, Fort Pierce, FL 34951 · Tel: (888) 500-2755 / (772) 465-4302 · Fax: (866) 500-7270 / (772) 465-4368 · www.deltaregis.com

Ref #	Part Number	Description	QTY
1	DRFF-17028	Scooping Plate Bracket	6
2	DRFF-17029	Scooping Plate	6
3	DRFF-17030	Roller Plate	1
4	DRFF-17031	Roller	1
5	DRFF-10002	Countersunk Head Screw	6
6	DRFF-10016	Truss Head Screw	12
7	DRFF-17032	Roller Bracket	1
8	DRFF-20001	Roller Bearing	4
9	DRFF-11006	Washer	4
10	DRFF-10001	Pan Head Screw w/ Washers	4
11	DRFF-10010	Countersunk Head Screw	12

Last update - Feb 2020, subject to change without notice

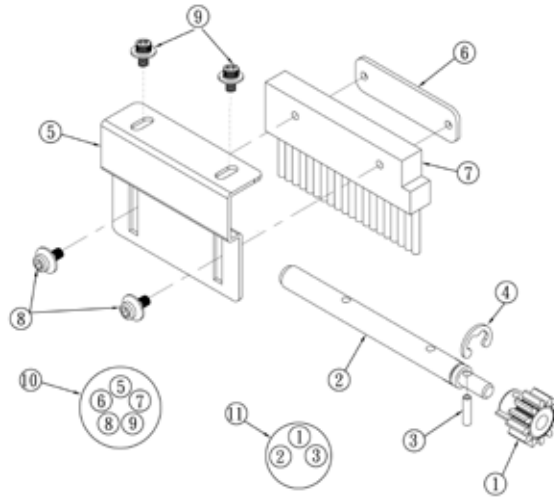


DRFF-99008 - Front Brush Holder Plate Assembly - Parts List

Delta Regis Tools, Inc. · 7370 Commercial Circle, Fort Pierce, FL 34951 · Tel: (888) 500-2755 / (772) 465-4302 · Fax: (866) 500-7270 / (772) 465-4368 · www.deltaregis.com

Ref #	Part Number	Description	QTY
1	DRFF-17033	Brush Holder Plate	1
2	DRFF-17034	Brush Driving Plate	1
3	DRFF-30004	Brush Driving Gear	1
4	DRFF-17035	Top Gate	1
5	DRFF-17036	Side Gate	1
6	DRFF-17037	Gate Spring Plate	2
7	DRFF-14001	Tension Spring	1
8	DRFF-20002	Bearing	1
9	DRFF-12001	Snap ring	2
10	DRFF-10001	Pan Head Screw w/ Washers	2
11	DRFF-10017	Hex Head Screw	1
12	DRFF-10018	Hex Head Screw	1
13	DRFF-11007A	Metal Spacer	2

Last update - Feb 2020, subject to change without notice

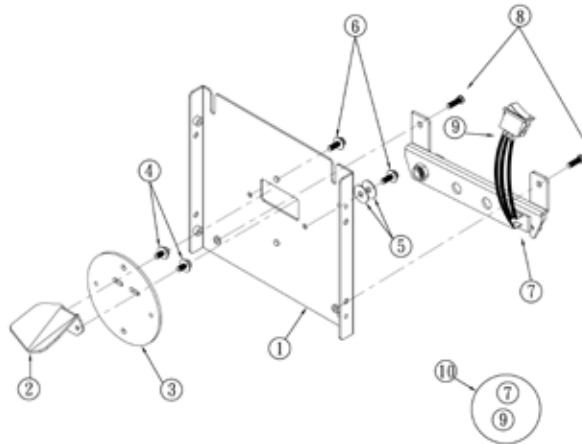


DRFF-99009 - Brush Assembly - Parts List

Delta Regis Tools, Inc. · 7370 Commercial Circle, Fort Pierce, FL 34951 · Tel: (888) 500-2755 / (772) 465-4302 · Fax: (866) 500-7270 / (772) 465-4368 · www.deltaregis.com

Ref #	Part Number	Description	QTY
1	DRFF-30005	Brush Driving Gear	1
2	DRFF-17038	Brush Driving Shaft	1
3	DRFF-15001	Spring Pin	1
4	DRFF-12003	Snap Ring	1
5	DRFF-17039	Brush Bracket	1
6	DRFF-17040	Brush Bracket Plate	1
7	DRFF-17041	Brush	1
8	DRFF-10014	Hex Head Screw w/ Washers	2
9	DRFF-10009	Hex Head Screw w/ Washers	2
10	DRFF-99009A	Brush Assembly (Semi-Complete)	1
11	DRFF-99021	Brush Shaft (Semi-Complete)	1

Last update - Feb 2020, subject to change without notice

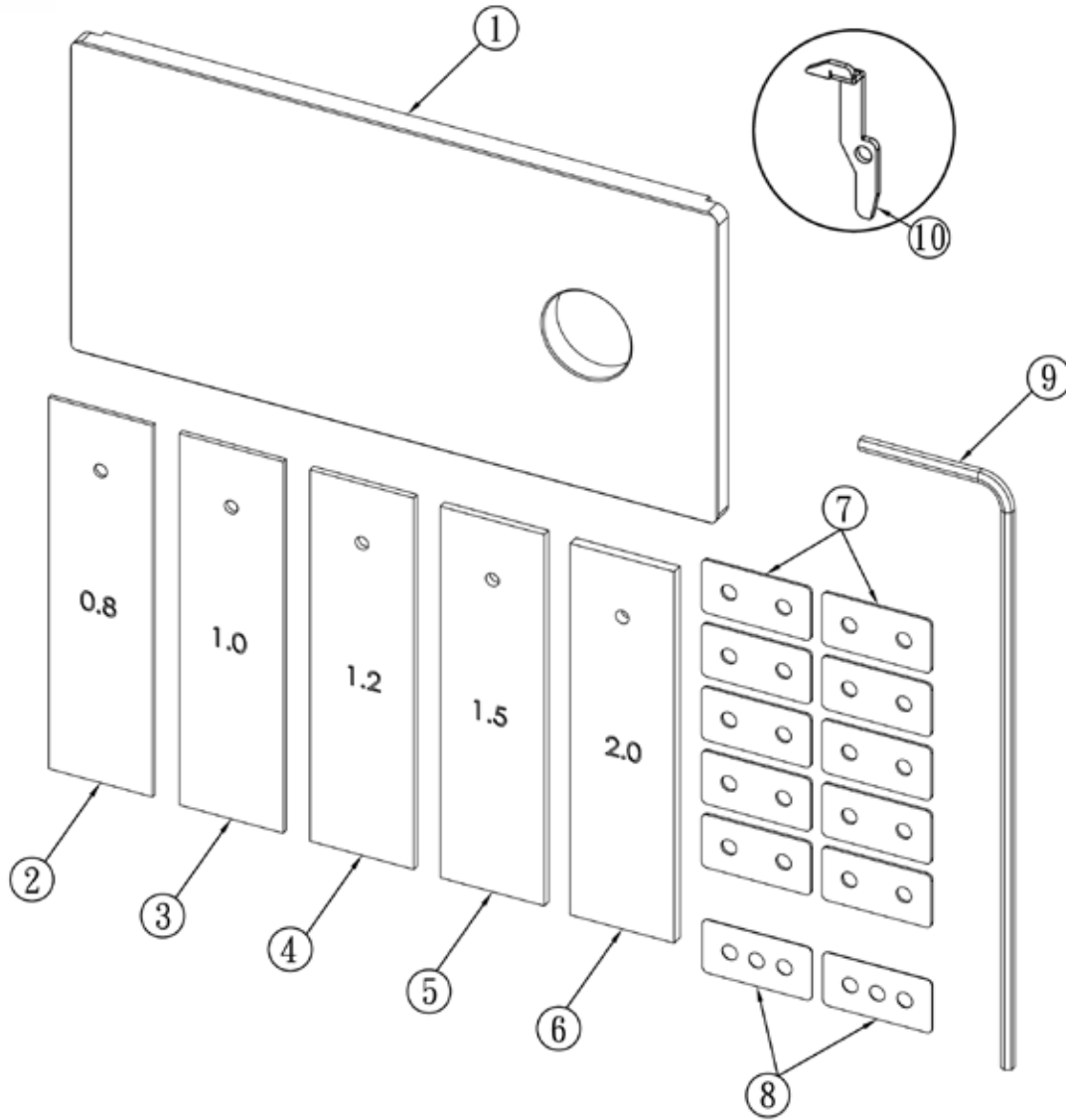


DRFF-99010 - Rear Plate and Power Bracket Assembly - Parts List

Delta Regis Tools, Inc. · 7370 Commercial Circle, Fort Pierce, FL 34951 · Tel: (888) 500-2755 / (772) 465-4302 · Fax: (866) 500-7270 / (772) 465-4368 · www.deltaregis.com

Ref #	Part Number	Description	QTY
1	DRFF-17042	Power Socket Plate Bracket	1
2	DRFF-17043	Chute	1
3	DRFF-17044	Chute Bracket	1
4	DRFF-10009	Hex Head Screw w/ Washers	2
5	DRFF-11005	Washer	2
6	DRFF-10001	Pan Head Screw w/ Washers	2
7	DRFF-40018	Power Socket Plate less wire harness	1
8	DRFF-10016	Truss Head Screw	2
9	DRFF-40009	Power Switch less wire harness	1
10	DRFF-99022	Power Socket Plate w/ Power Switch includes wire harness	1

Last update - Feb 2020, subject to change without notice

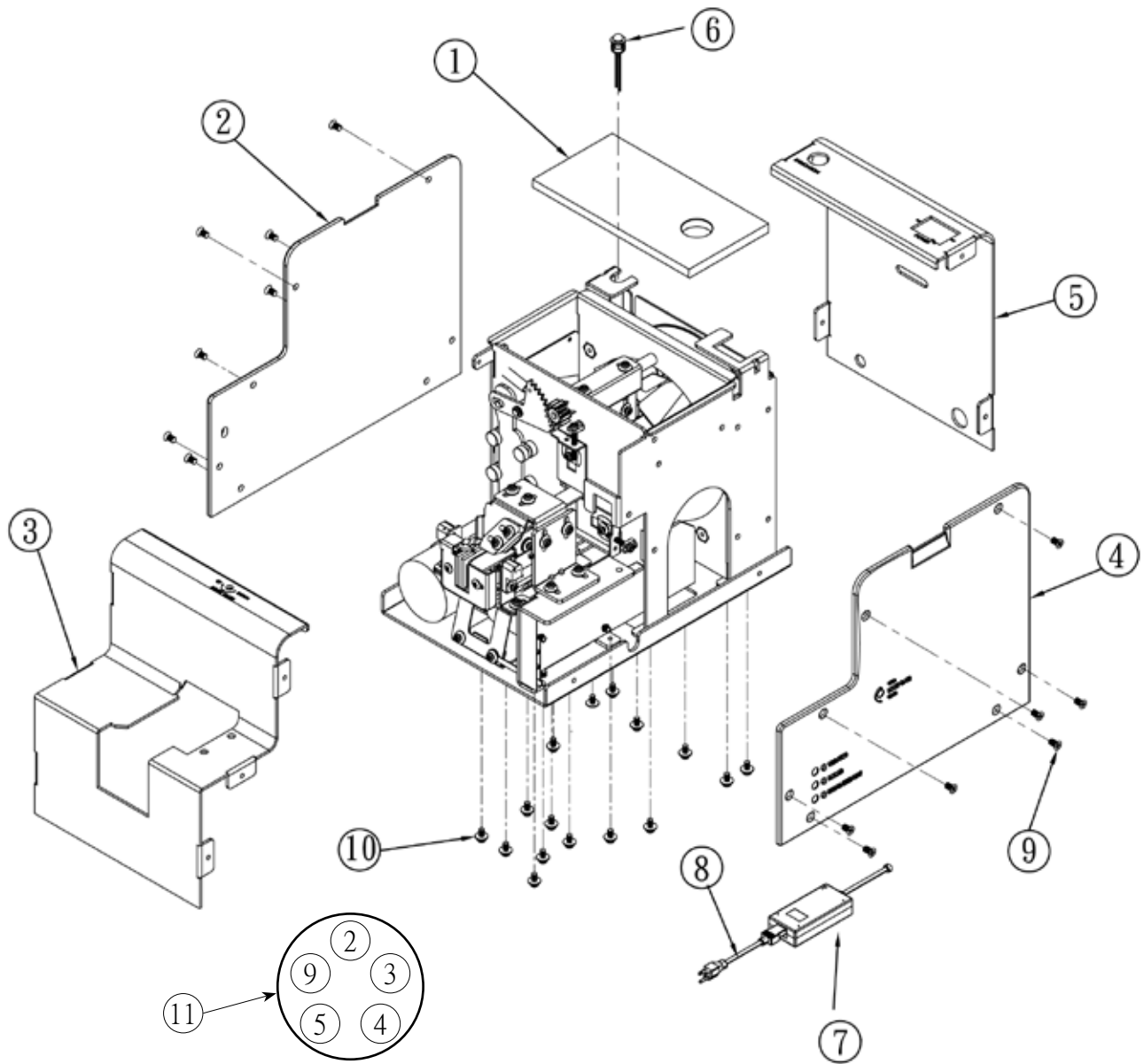


DRFF-99011 - Rail Adjustment Kit Assembly - Parts List

Delta Regis Tools, Inc. · 7370 Commercial Circle, Fort Pierce, FL 34951 · Tel: (888) 500-2755 / (772) 465-4302 · Fax: (866) 500-7270 / (772) 465-4368 · www.deltaregis.com

Ref #	Part Number	Description	QTY
1	DRFF-80006	Rail Adjustment Kit Box (Empty)	1
2	DRFF-11009	Measurement Shim 0.8mm	1
3	DRFF-11010	Measurement Shim 1.0mm	1
4	DRFF-11011	Measurement Shim 1.2mm	1
5	DRFF-11012	Measurement Shim 1.5mm	1
6	DRFF-11013	Measurement Shim 2.0mm	1
7	DRFF-11014	Spacer Shim 0.5mm	10
8	DRFF-11015	Spacer Shim 0.2mm	2
9	DRFF-91001	Hex Key	1
10	DRFF-17014	Stopper 1.0 ~ 2.0mm	1
	DRFF-17015	Stopper 2.0 ~ 5.0mm	1
Not Shown	DRFF-91002	Potentiometer Adjustment Tool	1

Last update - Feb 2020, subject to change without notice



DRFF-99012 - Housing Assembly - Parts List

Delta Regis Tools, Inc. · 7370 Commercial Circle, Fort Pierce, FL 34951 · Tel: (888) 500-2755 / (772) 465-4302 · Fax: (866) 500-7270 / (772) 465-4368 · www.deltaregis.com

Ref #	Part Number	Description	QTY
1	DRFF-99011	Rail Adjustment Kit Assembly (Includes accessories)	1
2	DRFF-80002A	Housing Left	1
3	DRFF-80003	Housing Front	1
4	DRFF-80004A	Housing Right	1
5	DRFF-80005	Housing Back	1
6	DRFF-40007	Overload LED	1
7	DRFF-96001A	Power Supply w/ North American Plug	1
	DRFF-96001D	Power Supply w/ Australian Plug	1
	DRFF-96001E	Power Supply w/ European Plug	1
	DRFF-96001UK	Power Supply w/ United Kingdom Plug	1
8	DR96-10034	Power Cord w/ North American Plug	1
	DR96-10034D	Power Cord w/ Australian Plug	1
	DR96-10034E	Power Cord w/ European Plug	1
	DR96-10034UK	Power Cord w/ United Kingdom Plug	1
9	DRFF-10024	Pan Head Screw	14
10	DRFF-10001	Pan Head Screw w/ Washers	16
11	DRFF-99012	Housing Assembly	1