

USER MANUAL

DR-RB1.5K
DR-RB3K
DR-RB5K



Delta Regis Tools Inc.

7370 Commercial Circle
Fort Pierce, FL 34951
www.deltaregis.com

Specifications

Model	Capacity	Stroke	Weight
DR-RB1.5K	0.5-1.5 kg 1.1-3.3 lbs	2.0 m 6.6 ft	0.5 kg 1.1 lbs
DR-RB3K	1.0-3.0 kg 2.2-6.6 lbs	2.0 m 6.6 ft	0.7 kg 1.5 lbs
DR-RB5K	2.5-5.0 kg 5.5-11.0 lbs	2.0 m 6.6 ft	0.9 kg 2.0 lbs

Operating Instructions

1. Installation <Figure 1>

Install balancer properly to avoid excessive wear and provide proper safety and efficiency.

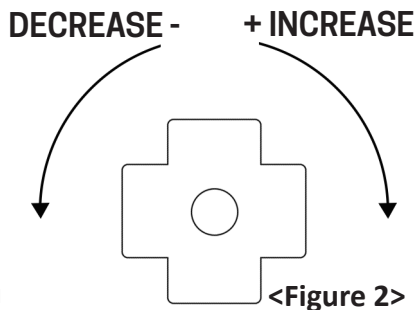
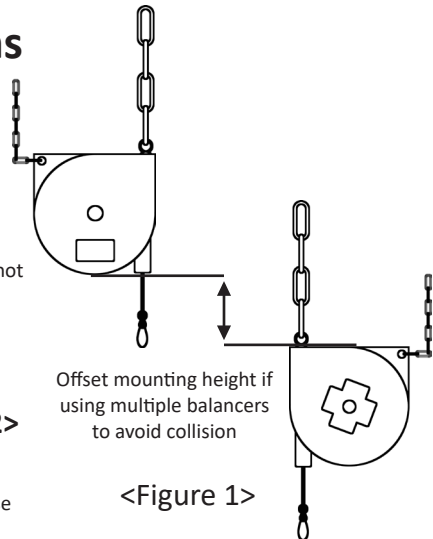
- Hang balancer using main hook.
- Balancers should be mounted strategically to not collide with other balancers or structures.
- Install the tool on the balancer
- Support cable must be installed on secondary hanger.

2. Tension Adjustment <Figure 2>

- Simply hold the unit and turn the dial on the back of the case clockwise to increase tension.
- Hold unit and turn both dials counter-clockwise to decrease tension.
- Take additional precautions when adjusting tension to avoid injury & damage.**
- Spring tension is set to mid-capacity before shipping.
- It is recommended to keep balancer set at mid-capacity for optimal use and long life.

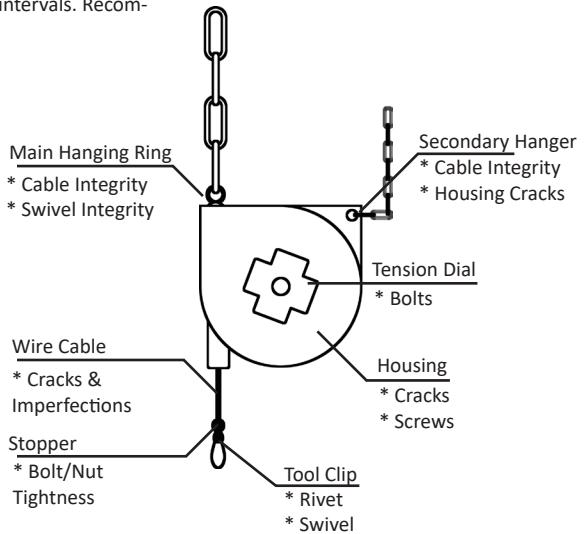
3. CAUTION

- Do not pull at an angle. This will cause unnecessary wear and tear and shortened life.
- Keep away from excessive heat
- Do not extend wire and detach tool this can lead to injury or damage.



Preventative Maintenance

In order to ensure proper use and extended life check all components at regular intervals. Recommended monthly.



Disassembling & Reassembling

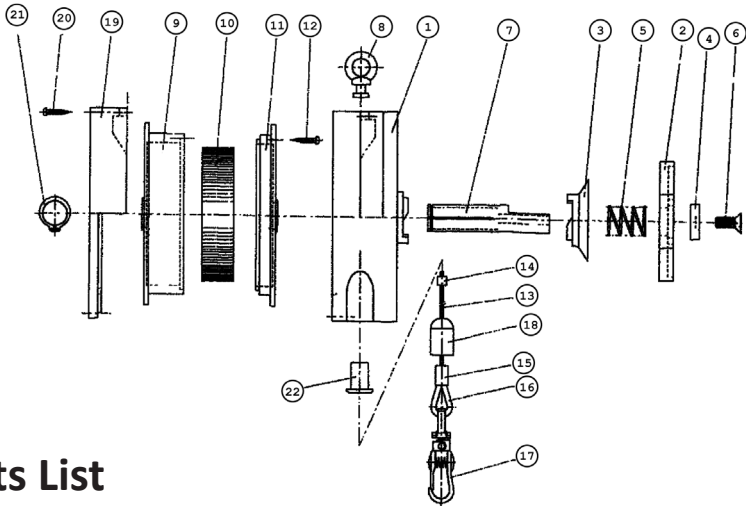
1) Disassembling

The following procedure should only be used if it is necessary to replace any of the internal components.

- Remove tool from clip (17) and place the balancer on the repair table.
 - Turn Dial A(2) and Dial B(3) counter-clockwise in order to decrease spring tension. When tension is released cable will hang freely.
 - Remove stop ring(21)
 - Remove Screws(6), Collar(4), Dial A(2), and Dial B(3)
 - Remove Cover(19), Case(1), and Hanging Ring (8)
 - Remove Drum(9) Drum Cover(11) and Coil Spring(10)
- *CAUTION: Careless disassembly of Coil Spring will cause injury**

1) Assembling

- Place Coil Spring(10) into the Drum(9) and install Drum Cover(11)
- Place Cable Set(13-18) through the Housing(1)
- Assemble Cover(19) and Housing(1)
- Assemble Dial B(3), Spring(5), Dial A(2), Collar(4) and fasten Screws(6)
- Place Stop Ring(21)
- Adjust tension by using Dial(2)



Parts List

No	Part No	Part Name	Quantity		
			DR-RB1.5K	DR-RB3K	DR-RB5K
1	DR-TB06246	Housing Assembly	1	1	1
22	(DR-TQ08344)	Housing Bushing	1	1	1
2	DR-TQ08353	Dial (A)	1	1	1
3	DR-TQ08355	Dial (B)	1	1	1
4	DR-TQ08778	Collar	1	1	1
5	DR-TQ08354	Ratchet Spring	1	1	1
6	DR-TQ08709	Screw	1	1	1
7	DR-TQ08352	Spindle	1	1	1
8	DR-TQ08213	Main Hanger	1	1	1
9	DR-TQ08345	Drum	1	1	1
10	DR-TQ08346	Coil Spring	1		
	DR-TQ08380	Coil Spring		1	
	DR-TQ08391	Coil Spring			1
11	DR-TQ08347	Drum Cover	1	1	1
12	DR-TQ08784	Tapping Screw 2.6x14	3	3	3
13	DR-TB06249	Cable Sub Assembly	1 Set	1 Set	1 Set

Delta Regis Tools Inc.

7370 Commercial Circle

Fort Pierce, FL 34951

www.deltaregis.com

Parts List Continued...

No	Part No	Part Name	Quantity		
			DR-RB1.5K	DR-RB3K	DR-RB5K
14	(DR-TQ08218)	Lock B	1	1	1
15	(DR-TQ08349)	Lock A	1	1	1
16	(DR-TQ08217)	Thimble	1	1	1
17	(DR-TQ08220)	Hook	1	1	1
18	DR-TQ08221	Shock Absorber	1	1	1
19	DR-TQ08351	Cover	1	1	1
20	DR-TQ08723	Tapping Screw 2.6x12	3	3	3
21	DR-TQ08725	Snap Ring	1	1	1

Accessory

No	Part No	Part Name	Quantity		
			DR-RB1.5K	DR-RB3K	DR-RB5K
	DR-TB06511	Cable Stop Assembly	1 Set	1 Set	1 Set
	DR-TQ08361	Instruction Manual	1	1	1



Delta Regis Tools Inc.

7370 Commercial Circle
Fort Pierce, FL 34951
www.deltaregis.com