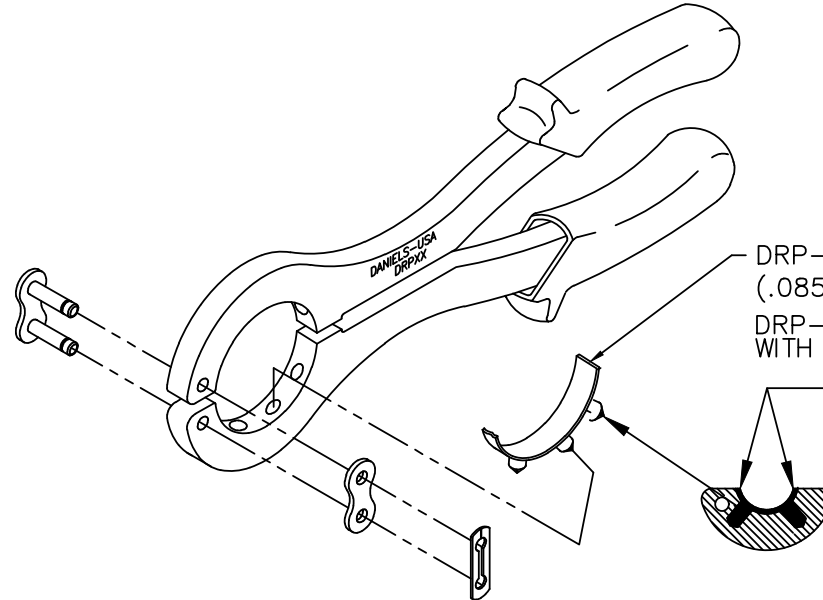


GRIP RANGE*		TOOL PART NUMBER
Inch	Metric (mm)	
0.50 to 0.53	12.70 to 13.46	DRP7, DRP7N**
0.56 to 0.59	14.22 to 14.98	DRP8, DRP8N**
0.62 to 0.65	15.74 to 16.51	DRP9, DRP9N**
0.67 to 0.70	17.01 to 17.78	DRP10, DRP10N**
0.74 to 0.77	18.79 to 19.55	DRP11, DRP11N**
0.80 to 0.83	20.32 to 21.08	DRP12, DRP12N**
0.85 to 0.88	21.59 to 22.35	DRP13, DRP13N**
0.89 to 0.92	22.60 to 23.36	DRP14, DRP14N**
0.97 to 1.00	24.63 to 25.40	DRP15, DRP15N**
1.05 to 1.08	26.67 to 27.43	DRP16, DRP16N**
1.08 to 1.11	27.43 to 28.19	DRP17, DRP17N**
1.11 to 1.14	28.19 to 28.95	DRP18, DRP18N**
1.20 to 1.23	30.48 to 31.24	DRP19, DRP19N**
1.27 to 1.30	32.25 to 33.02	DRP20, DRP20N**
1.33 to 1.36	33.78 to 34.54	DRP21, DRP21N**
1.39 to 1.42	35.30 to 36.06	DRP22, DRP22N**
1.45 to 1.48	36.83 to 37.59	DRP23, DRP23N**
1.49 to 1.52	37.84 to 38.60	DRP24, DRP24N**
1.57 to 1.60	39.87 to 40.64	DRP25, DRP25N**
1.61 to 1.64	40.89 to 41.65	DRP26, DRP26N**
1.76 to 1.79	44.70 to 45.46	DRP27, DRP27N**
1.89 to 1.92	48.00 to 48.76	DRP28, DRP28N**

*On a smooth surface.
Knurled surfaces slightly below this range are compatible with these tools.
 **These part numbers indicate plier sizes with a more narrow head.




REVISIONS				
REV. SYM.	E.C.O. NUMBER	DESCRIPTION	BY DATE	APP'D DATE
1		ORIGINAL RELEASE	JMC 10-7-99	JWJ 10-7-99
2		RUBBER PAD P/N WAS GRP-008	JWJ 2/2/00	RRR 2/2/00
3		UPDATED TABLE, ADDED NEW P/N'S	MF 4/17/12	
4		UPDATED TABLE, ADDED NEW P/N'S	MF 5/7/13	
5		UPDATED TABLE, ADDED NEW P/N'S, ADDED NOTE 2	MF 3/27/17	EF 3/27/17
6		WAS DRP-078R, NOW REFERENCES DRP-RS-1	DPH 1/24/2022	KCK 1/24/2022

**UNCONTROLLED DOCUMENT
 WILL NOT BE UPDATED**

DRP-RS-1 RUBBER PAD (BLACK)
 (.085" THICK X 4-1/4" LONG)
 DRP-RS-1N RUBBER PAD (BLACK) FOR PLIERS
 WITH A MORE NARROW HEAD.
 PLACE RUBBER PAD PINS IN TOOL
 FRAME HOLES AND TRIM PAD EVEN
 WITH TOOL FRAME ENDS

- FOR SMALLER DIAMETERS THAN THOSE LISTED IN THE CHART ABOVE, SEE DRAWING NUMBER: DRPMS-ENV.
- ALL DIMENSIONS ARE IN INCHES UNLESS OTHERWISE SPECIFIED.

NOTES:

RESTRICTED & CONFIDENTIAL CONFIDENTIAL PROPERTY OF DANIELS MANUFACTURING CORP. NOT TO BE DISCLOSED TO OTHERS, REPRODUCED OR USED FOR ANY OTHER PURPOSE, EXCEPT AS AUTHORIZED IN WRITING BY DANIELS MANUFACTURING. MUST BE RETURNED TO DANIELS MANUFACTURING CORP. ON COMPLETION OF ORDER OR OTHER PURPOSE FOR WHICH LENT.	MATERIAL	ITEM	PART NO.	QTY.	DESCRIPTION/REMARKS
	HEAT TREAT	DRN. JMC	DATE 10-7-99		 DANIELS MANUFACTURING CORP. ORLANDO, FLORIDA CAGE 11851
	FINISH	CHK'D. JWJ	DATE 10-7-99		
	DO NOT SCALE DRAWING		APP'D.	DATE	
					WHERE USED: SIZE B SCALE NTS CAD P/N DRP-ENV SHEET OF 1 POSTING DWG. NO. DRP-ENV REV. 6

NOTE:
 THIS DRAWING IS AN OUTLINE DRAWING OF THE RESPECTIVE DMC PART NUMBER INDICATED. ACTUAL DMC PART NUMBER IS DRAWING NUMBER WITHOUT THE "-ENV" SUFFIX.