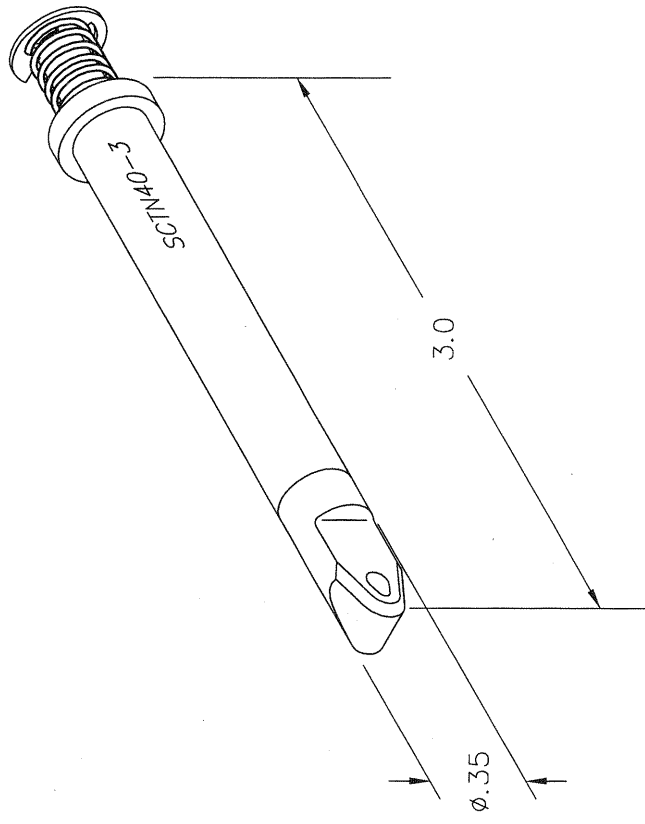


REVISIONS		DESCRIPTION		BY DATE	
REV. SYM.	E.C.O. NUMBER	DESCRIPTION	BY	DATE	APPRO. DATE
1		ORIGINAL RELEASE		8/3/70	



**UNCONTROLLED DOCUMENT  
WILL NOT BE UPDATED**

DIMENSIONS IN INCHES - UNLESS OTHERWISE SPECIFIED

MATERIAL	ITEM	PART NO.	QTY.	DESCRIPTION/REMARKS
	DATE	REV. NO.		
	CHKD.	DATE		
HEAT TREAT	APPD.	DATE		
FINISH	APPD.	DATE		
NOTE: THIS DRAWING IS AN OUTLINE DRAWING. DIMENSIONS INDICATED ARE ACTUAL DIMENSIONS. DIMENSIONS WITHOUT THE "-DIM" SUFFIX ARE TO BE MANUFACTURED TO THE DIMENSIONS SPECIFIED.				
	WHERE USED:	SCALE	SHEET	OF
	SIZE	C	1	1
	POSTING	SC1N40-3ENV		
	DWG. NO.	SC1N40-3ENV		
	REV.	1		