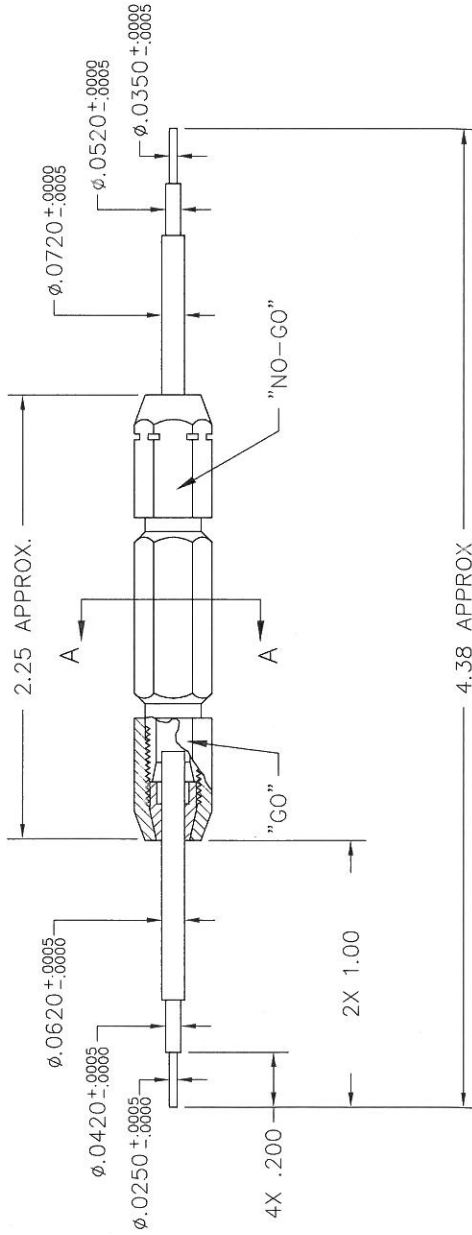


"DO NOT CRIMP"  
"GAGE"

"DANIELS-USA G411"

"M22520/39-01"

SECTION A-A



REVISIONS

REV. SYM.	E.C.O. NUMBER	DESCRIPTION	BY DATE	APP'D DATE
1		ORIGINAL RELEASE	SJS 5/8/86	5/8/86
2		REVISED GAGE PIN DIA'S	MCS 1/23/88	1/25/88
3		ADDED "DO NOT CRIMP GAGE"	MWJ 9/24/01	9/24/01
4		ADDED MIL SPEC #'S	ENF 5-28-10	5-28-10
5		ADDED TOLERANCE TO GAGE PINS	TenD 9-29-16	

ITEM	PART NO.	QTY.	DESCRIPTION/REMARKS
DRN. TS	DATE 5/9/86		DANIELS MANUFACTURING CORP. ORLANDO, FLORIDA CAGE 11851
CHK'D. MGS	DATE 5/8/86		
APP'D. DJR	DATE 5/9/86		GO/NO-GO GAGE M22520/39-01 ENVELOPE DRAWING
APP'D.	DATE		
NOTE: THIS DRAWING IS AN OUTLINE DRAWING OF THE RESPECTIVE DIM PART NUMBER. THE DIM PART NUMBER IS CAD PART NUMBER WITHOUT THE "-ENV" SUFFIX.			
WHERE USED: SIZE SCALE B NTS POSTING		SHEET OF 1 1 CAD P/N G411-ENV DWG. NO. G411	
MATERIAL HEAT TREAT FINISH		RESTRICTED & CONFIDENTIAL CONFIDENTIAL PROPERTY OF DANIELS MANUFACTURING CORP. THIS DRAWING IS TO BE KEPT IN CONFIDENTIALITY AND NOT TO BE DISCLOSED TO OTHERS, REPRODUCED OR USED FOR ANY OTHER PURPOSE EXCEPT AS AUTHORIZED IN WRITING BY DANIELS MANUFACTURING. THIS DRAWING IS THE PROPERTY OF DANIELS MANUFACTURING CORP. AND IS LOANED TO YOU FOR YOUR INFORMATION ONLY. IT IS TO BE RETURNED TO DANIELS MANUFACTURING CORP. ON COMPLETION OF ORDER OR OTHER PURPOSE FOR WHICH LENT.	
DO NOT SCALE DRAWING			

**UNCONTROLLED DOCUMENT  
WILL NOT BE UPDATED**  
DIMENSIONS IN INCHES - UNLESS OTHERWISE SPECIFIED