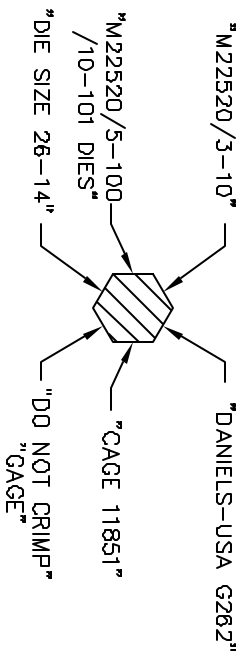
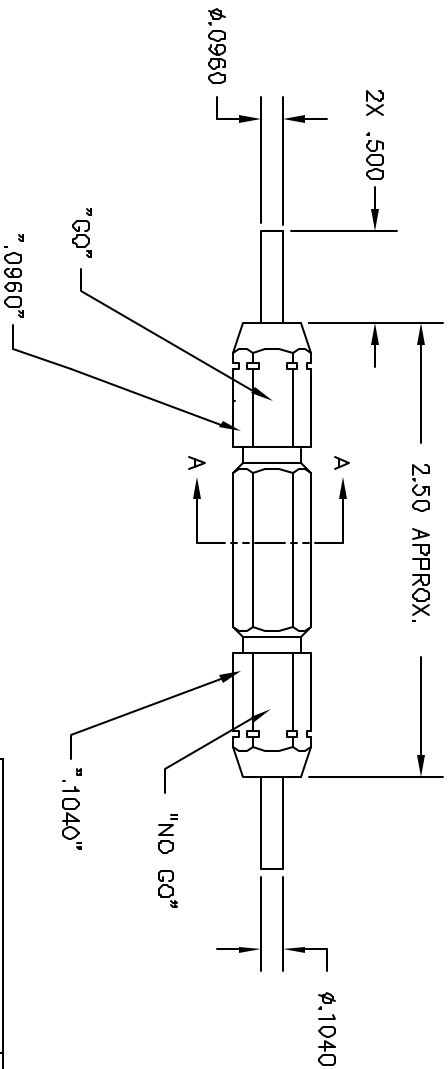


REVISIONS			
REV.	BY	DATE	APP'D
1	STN.	10/27/88	10/29/88



SECTION A-A



**UNCONTROLLED DOCUMENT
WILL NOT BE UPDATED**

RESTRICTED & CONFIDENTIAL		MATERIAL		ITEM		PART NO.		QTY.		DESCRIPTION/REMARKS	
CONFIDENTIAL PROPERTY OF DANIELS MANUFACTURING EQUIP. NOT TO BE REPRODUCED OR USED FOR ANY OTHER PURPOSE EXCEPT AS AUTHORIZED IN WRITING BY DANIELS MANUFACTURING. MUST BE RETURNED TO DANIELS MANUFACTURING UPON COMPLETION OF ORDER WHICH UNIT.		HEAT TREAT		DRN. J. JOYCE		DATE 10/27/88		DATE 10/27/88		TITLE	
DO NOT SCALE DRAWING		FINISH		CHKD. RRR		DATE 10/27/88		DATE 10/27/88		GAGE/NO-GO GAGE ENVELOPE DRAWING (M22520/3-10)	
				APPRD.		DATE		WHILE USING		CAD P/N	
				DATE				SIZE B		SCALE G262-ENV	
				DATE				FINISH		P/N G262-ENV	
				DATE				SHEET 1		OF 1	
				DATE				REV 1		OF 1	