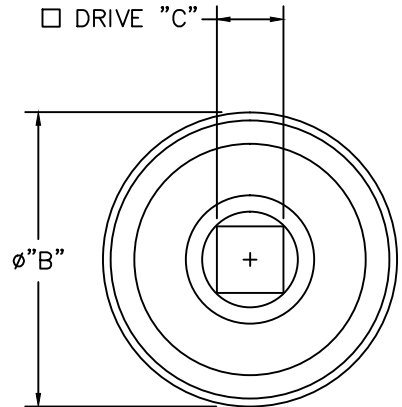
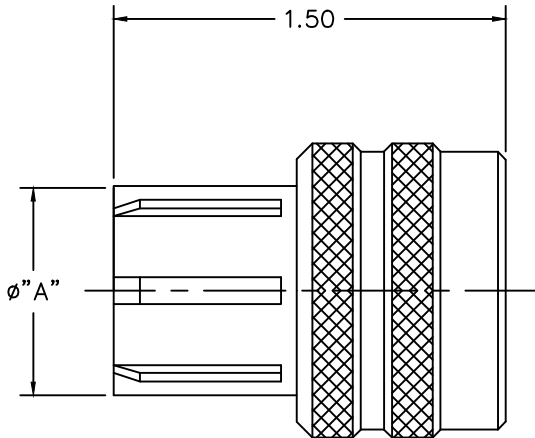


USERS MUST ENSURE CORRECT REVISION

REVISIONS				
REV. SYM.	E.C.O. NUMBER	DESCRIPTION	BY DATE	APP'D DATE
1		ORIGINAL RELEASE	JWJ 2/10/02	RRR 2/10/02
2		ADDED OD TO CHART	TD 7-15-13	
3		UPDATED CHART	ENF 4-8-14	




CM389B-25	1.385	1.687	3/8	ALL
CM389B-23	1.260	1.562	3/8	ALL
CM389B-21	1.135	1.437	3/8	ALL
CM389B-19	1.010	1.375	3/8	ALL
CM389B-17	.896	1.250	3/8	ALL
CM389B-15	.770	1.125	1/4	ALL
CM389B-13	.645	1.000	1/4	ALL
CM389B-11	.510	.875	1/4	ALL
PART NO.	DIM. "A"	DIM. "B"	DIM. "C"	KEYING POSITIONS

**UNCONTROLLED DOCUMENT
WILL NOT BE UPDATED**

DIMENSIONS IN INCHES - UNLESS OTHERWISE SPECIFIED

1. FOR MIL-C-38999 SERIES 4 PLUGS.

NOTES:

<p>RESTRICTED & CONFIDENTIAL</p> <p>CONFIDENTIAL PROPERTY OF DANIELS MANUFACTURING CORP. NOT TO BE DISCLOSED TO OTHERS, REPRODUCED OR USED FOR ANY OTHER PURPOSE, EXCEPT AS AUTHORIZED IN WRITING BY DANIELS MANUFACTURING. MUST BE RETURNED TO DANIELS MANUFACTURING CORP. ON COMPLETION OF ORDER OR OTHER PURPOSE FOR WHICH SENT.</p>	MATERIAL	ITEM	PART NO.	QTY.	DESCRIPTION/REMARKS	
	HEAT TREAT	DRN.	J. JOYCE	DATE	2/10/02	 DANIELS MANUFACTURING CORP. ORLANDO, FLORIDA CAGE 11851
	FINISH	CHK'D.	RRR	DATE	2/10/02	
DO NOT SCALE DRAWING		APP'D.	DATE	APP'D.	DATE	TITLE ADAPTOR TOOL SET (METAL) ENVELOPE DRAWING
		NOTE: THIS DRAWING IS AN OUTLINE DRAWING OF THE RESPECTIVE DMC PART NUMBER INDICATED. ACTUAL DMC PART NUMBER IS DRAWING NUMBER WITHOUT THE "-ENV" SUFFIX.			WHERE USED: SIZE B NTS SCALE NTS POSTING	CAD P/N CM-S-389B-ENV SHEET 1 OF 1 DWG. NO. CM-S-389B-ENV REV. 3