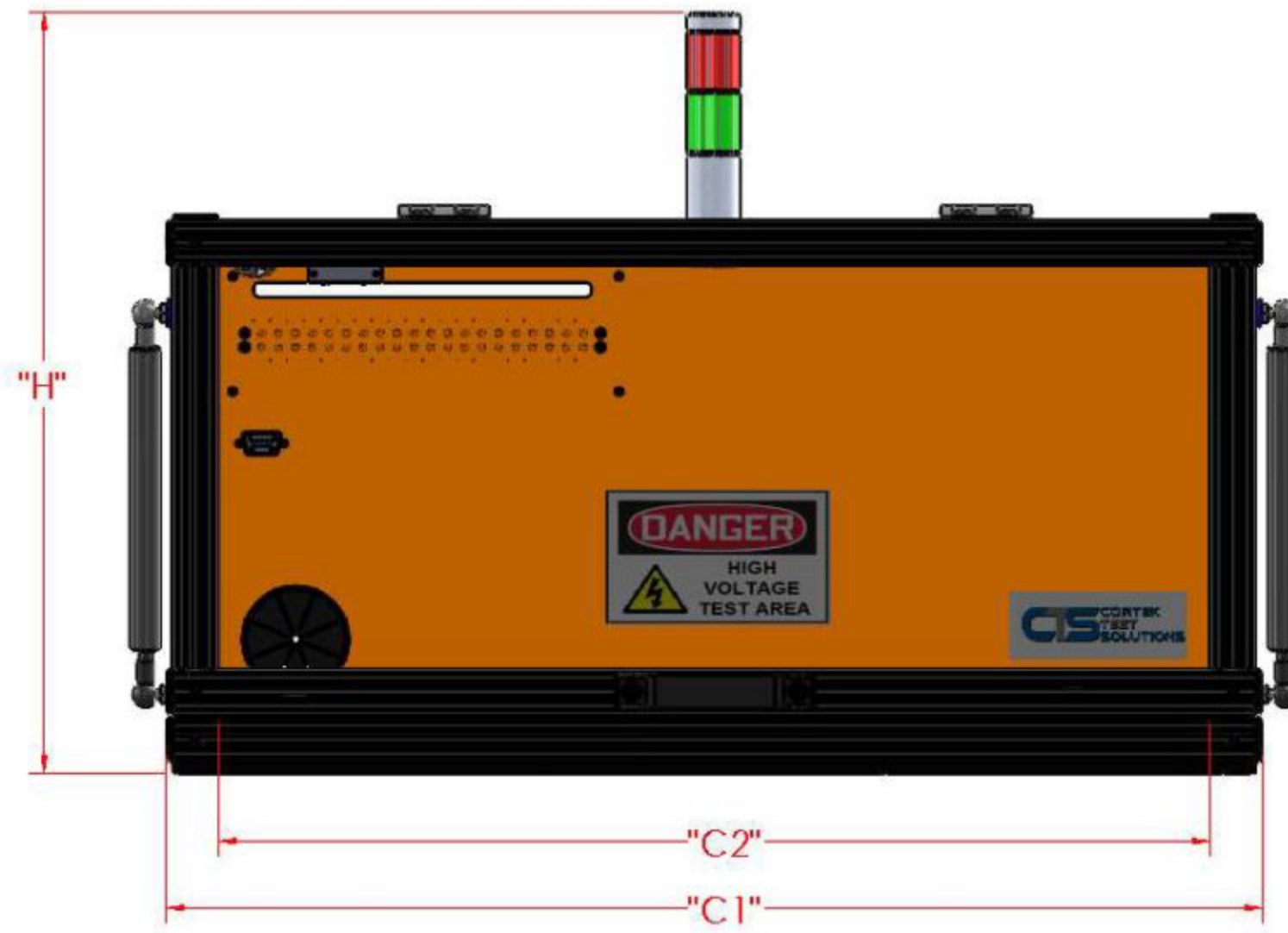
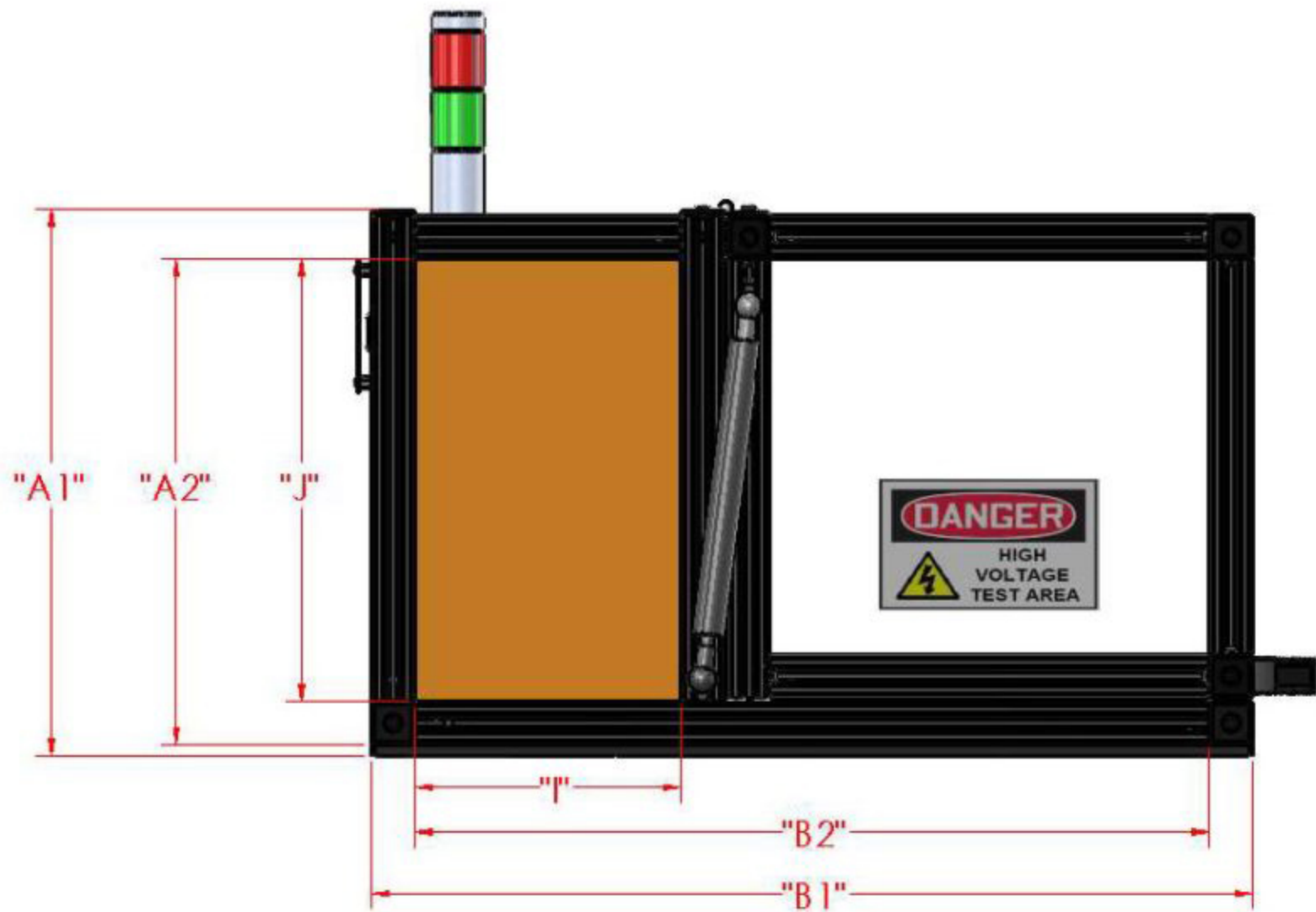
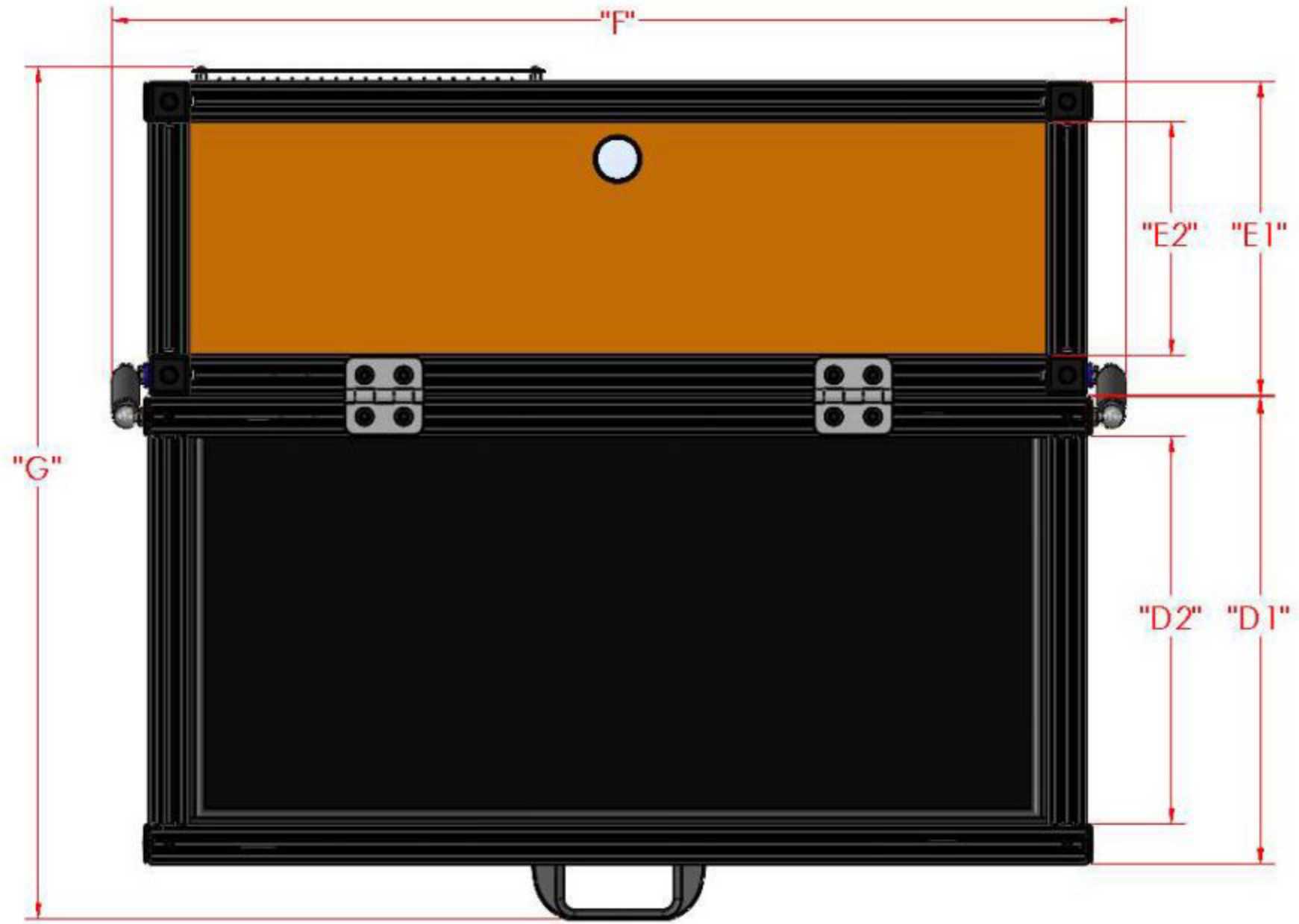
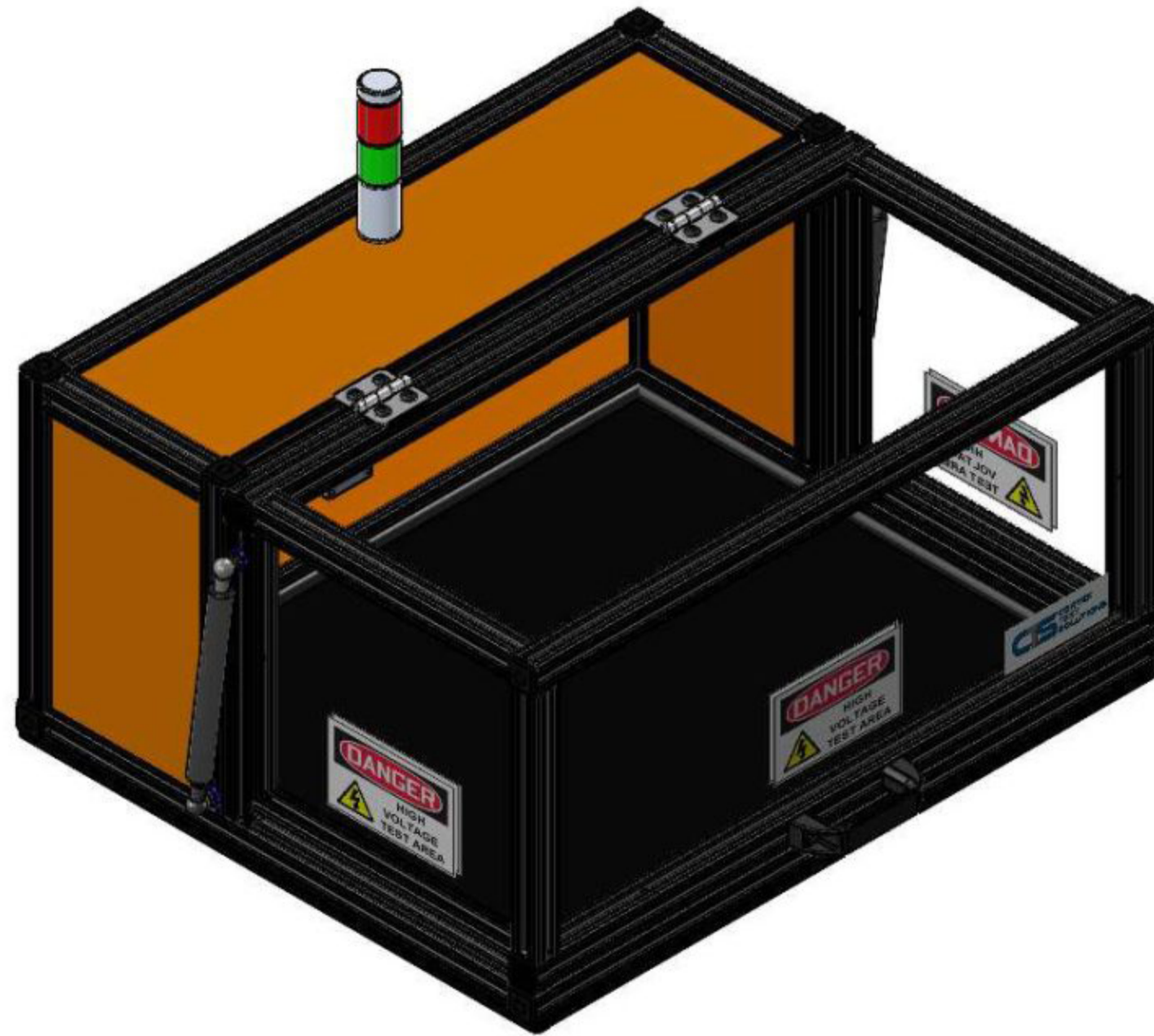


SAFETY ENCLOSURE DIMENSIONING



SE-4836	LIGHT TOWER SOLD SEPERATELY	WEIGHT	68	LBS	PROPRIETARY NOTICE <small>THIS DOCUMENT AND THE TECHNICAL DATA CONTAINED HEREIN ARE OWNED EXCLUSIVELY BY CORTEK TEST SOLUTIONS INC. AND SHALL NOT, WITHOUT THE EXPRESS WRITTEN PERMISSION OF CORTEK TEST SOLUTIONS INC. BE USED, REPRODUCED, RELEASED, OR DISCLOSED IN WHOLE OR IN PART, OR USED IN ANY COMPETITIVE MANNER, INCLUDING USED FOR MANUFACTURE BY ANYONE OTHER THAN CORTEK TEST SOLUTIONS INC. THE INFORMATION HEREIN IS PROPRIETARY AND HAS BEEN DEVELOPED AT PRIVATE EXPENSE SOLELY FOR THE PURPOSES OF ENGINEERING EVALUATION AND FOR INCORPORATION INTO TECHNICAL SPECIFICATIONS AND OTHER DOCUMENTS WHICH SPECIFY PROCUREMENT OF PRODUCTS FROM CORTEK TEST SOLUTIONS INC.</small>
---------	-----------------------------	--------	----	-----	--

DIM.	EXTERNAL DIMENSIONS					INTERNAL DIMENSIONS					OTHER DIMENSIONS				
	A1	B1	C1	D1	E1	A2	B2 W/ RUBBER	C2 W/ RUBBER	D2	E2	F	G	H	I	J
INCH	17.25	36	48	22.6	13.3	16	33	45	20.6	11.3	50	38	22	11.3	15
MM	438.15	914.40	1219.20	574.04	337.82	406.40	838.20	1143.00	523.24	287.02	1270.00	965.20	558.80	287.02	381.00