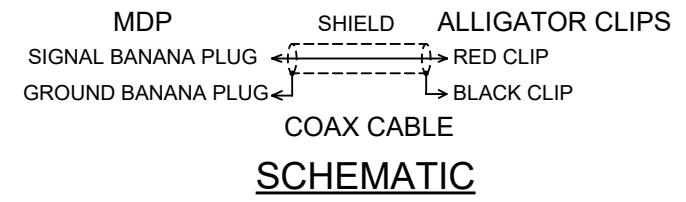
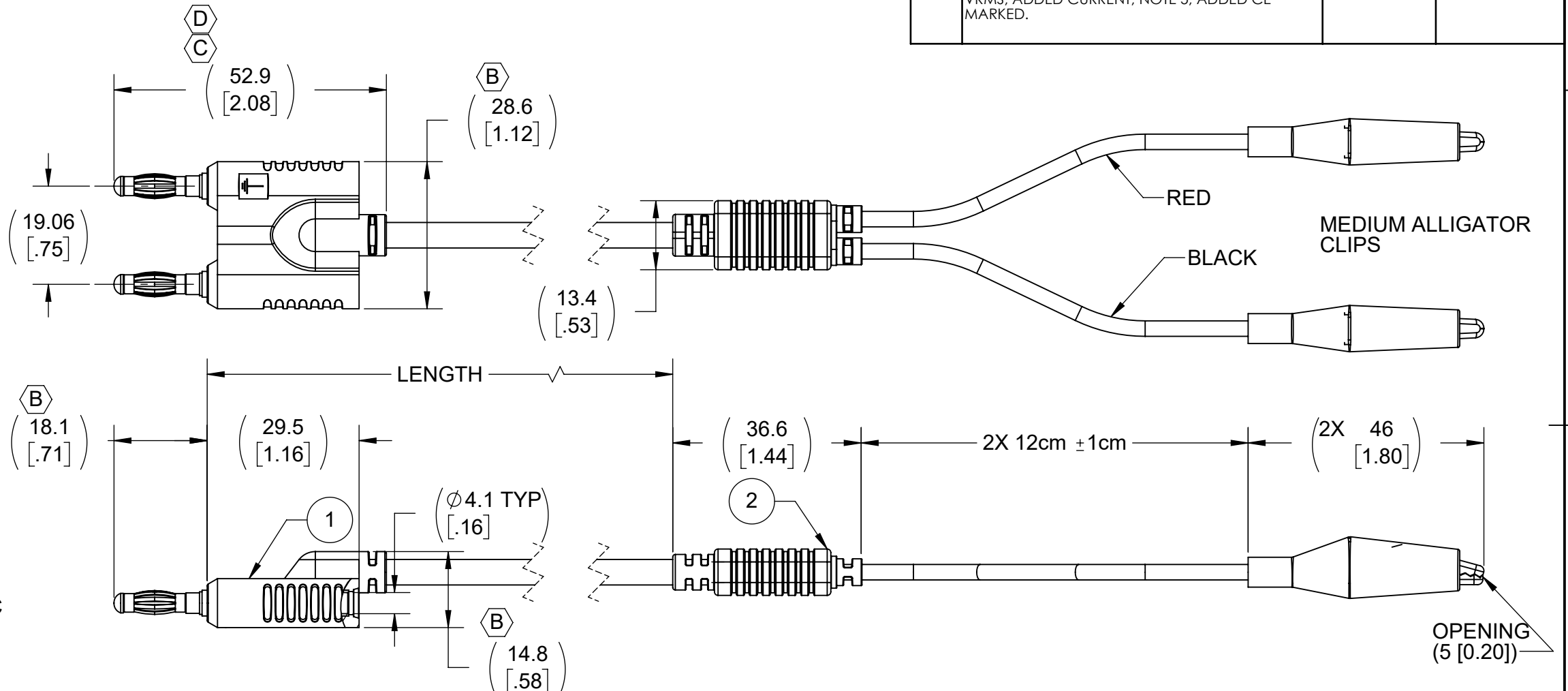


THIS IS ISSUED IN STRICT CONFIDENCE THAT IT IS NOT USED AS A BASIS FOR MANUFACTURE OR SALE AND THAT IT IS NOT COPIED, REPRINTED OR DISCLOSED TO A THIRD PARTY EITHER WHOLLY OR IN PART WITHOUT THE PRIOR WRITTEN CONSENT OF CAL TEST ELECTRONICS, INC.

REVISIONS			
REV.	DESCRIPTION	DATE	APPROVED
A	INITIAL RELEASE	6/3/2021	
B	ITEM I UPDATED TO V4.3.	6/23/2021	
C	DRAWING UPDATED TO NEW B SIZE FORMAT; DWG. NO. WAS P445600; MDP BODY UPDATED TO V4.3.1	11/3/2021	B. HANSEN
D	DIM 52.9 WAS 52.6; NOTE 1, ADDED 22 AWG (19X34), DELETED Ø3.5; NOTE 3, VOLTAGE WAS 300 VRMS, ADDED CURRENT; NOTE 5, ADDED CE MARKED.	6/8/2022	B. Hansen

NOTES:

- ALL SPECIFICATIONS SUBJECT TO CHANGE WITHOUT NOTICE.
- MATERIAL:**
 - MDP CONNECTOR -
 - MOLDED BODY: POLYPROPYLENE (PP), BLACK.
 - 4mm BANANA PLUGS -
 - BODY: BRASS, NICKEL PLT.
 - CAGE CONTACT: BECU, NICKEL PLT.
 - RG58C/U COAX CABLE -
 - JACKET: PVC, BLACK; Ø4.95 O.D.
 - DIELECTRIC: PE
 - CENTER CONDUCTOR: 22 AWG (19X34) TINNED COPPER, STRANDED.
 - BREAKOUT: PVC, BLACK
 - ALLIGATOR CLIP -
 - BODY: STEEL, NICKEL PLT.
 - INSULATOR (BOOT): VINYL.
- ELECTRICAL:**
 - IMPEDANCE:
 - ASSEMBLY: NON-CONSTANT
 - RG50C/U: 50Ω
 - VOLTAGE -
 - 30 VRMS / 60 VDC (HANDHELD)
 - 500 VRMS (HANDS FREE)
 - DO NOT USE ON CIRCUITS SUBJECT TO TRANSIENT OVERVOLTAGES.
 - CURRENT: 3 A MAX.
- MECHANICAL:**
 - OPERATING TEMPERATURE: 0°C TO +50°C
 - CABLE BEND RADIUS:
 - REPEATED MIN. - 49.8 mm
 - ONE-TIME MIN. - 25 mm
- CE MARKED:**
 - ROHS 2 COMPLIANT.



CT4456-100	100 ±1.5	-100
MODEL NUMBER	LENGTH & TOLERANCE (cm)	MODEL NUMBER -XXX EXTENSION

MODEL NUMBER TABLE			
THIRD ANGLE PROJECTION	UNLESS OTHERWISE SPECIFIED DIMENSIONS ARE IN MILLIMETERS TOLERANCES ARE: X.X = ±0.5 X.X* = ±0.5* X.XX = ±0.25 X.XXX = ±0.125 DO NOT SCALE DRAWING	PROJECT NO. A660(a)	METRIC 22820 Savi Ranch Prky. Yorba Linda, CA 92887 USA
	MATERIAL SEE NOTES	APPROVALS	TITLE CABLE ASSEMBLY, MDP TO ALLIGATOR CLIP BREAKOUTS, RG58C/U
	TREATMENT N/A	DATE 6/3/2021	SIZE B
FINISH N/A	ENGR. B. HANSEN	CHECKER	CAGE CODE 43F45
	DESIGN ACTIVITY ENGINEERING	DATE 6/3/2021	DWG. NO. CT4456
		SCALE 1:1	REV. D
			SHEET 1 OF 1

ITEM NO.	DESCRIPTION	QTY.
2	MOLDED BREAKOUT, 3mm PVC LEADS TO MEDIUM ALLIGATOR CLIPS	1
1	MOLDED ASSEMBLY, 4mm DOUBLE PLUG (MDP), RG58C/U CABLE	1