

1662/1663/1664 FC Electrical Installation Tester

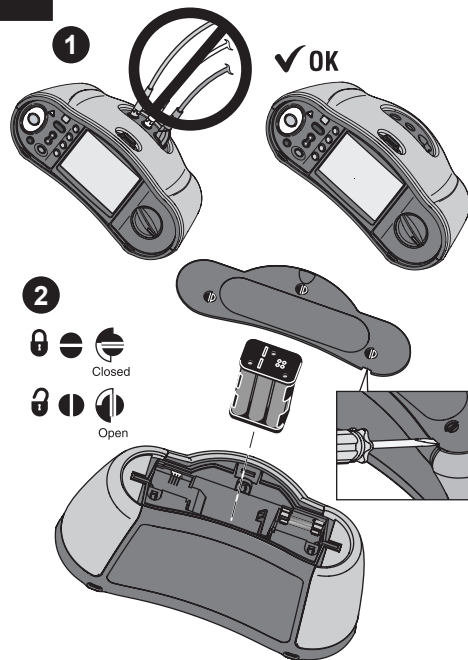


Read all "Safety Information" before you use this Product.

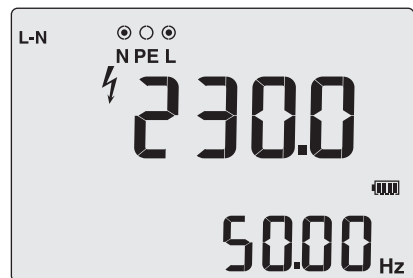
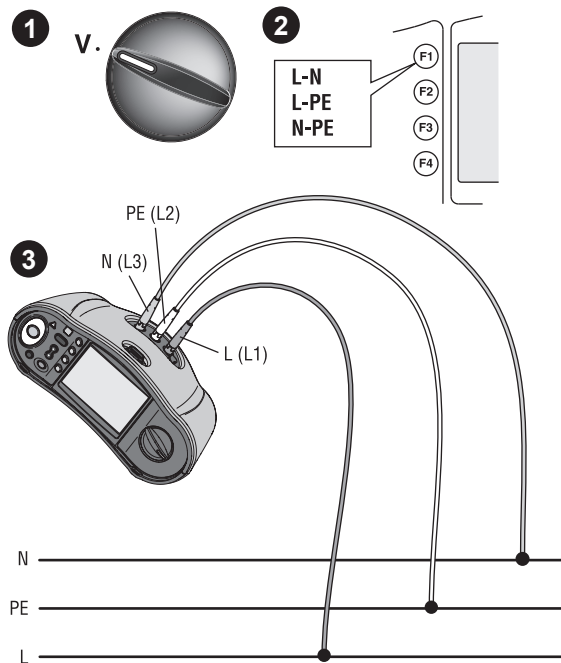
Go to www.fluke.com to register your product and find more information.

To view, print, or download the latest manual or supplement, visit us.fluke.com/user/support/manuals.

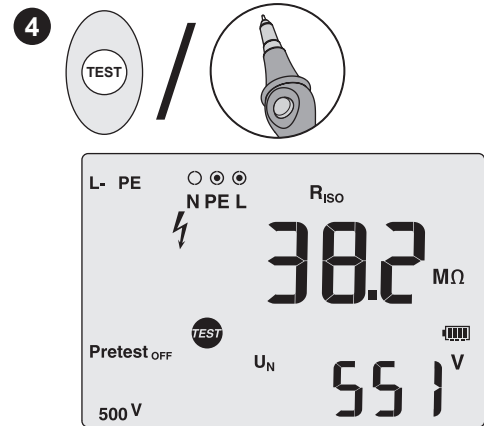
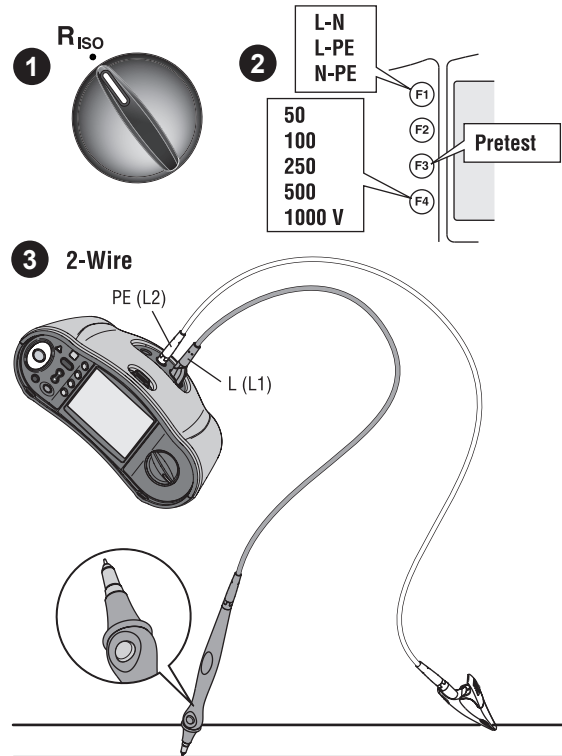
To download the Fluke Connect™ app, go to the Apple App Store or Google Play.



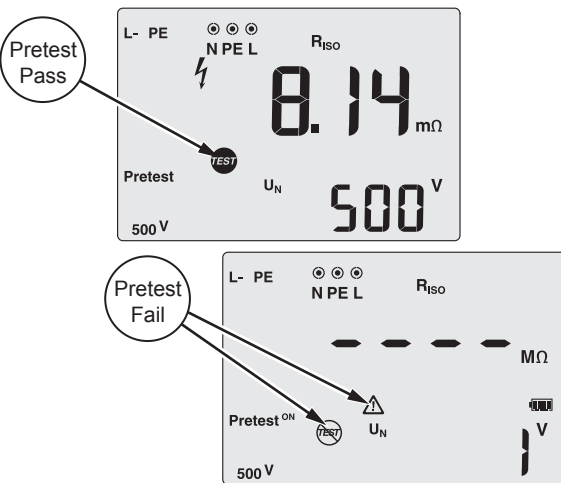
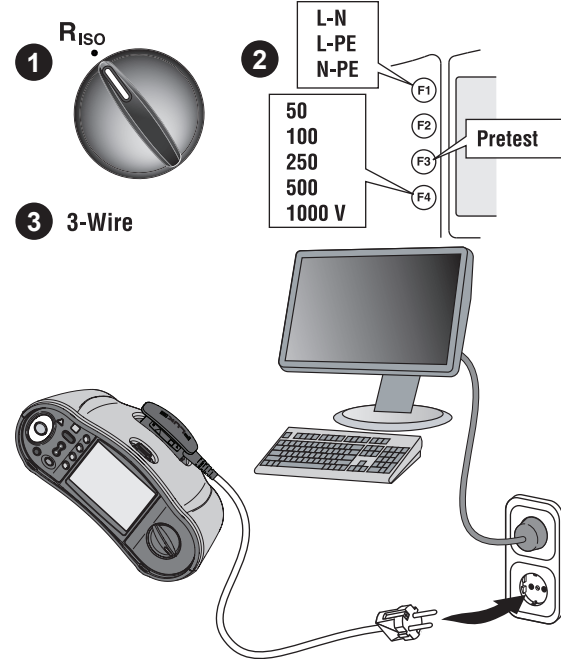
V, Hz



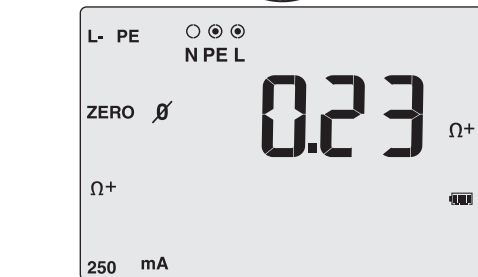
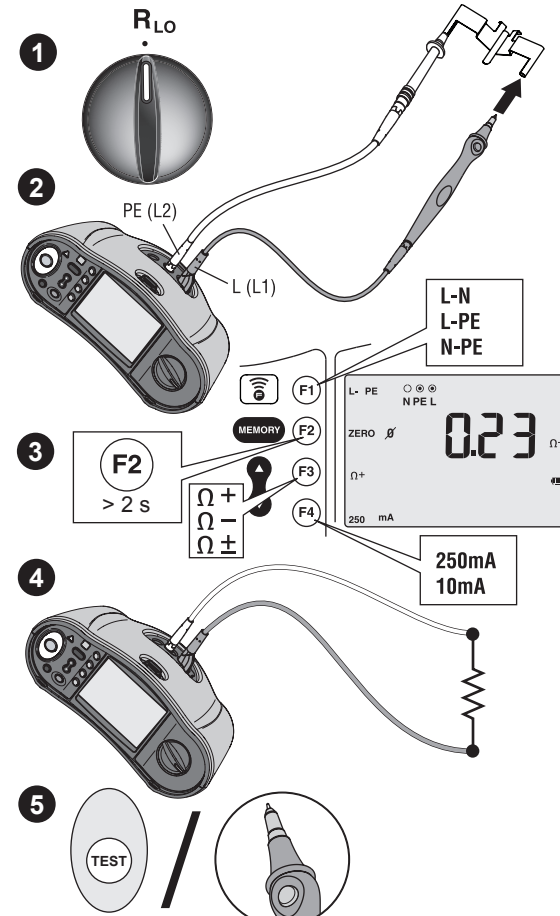
R_{ISO} Insulation · Isolement · Isolation (2-Wire)



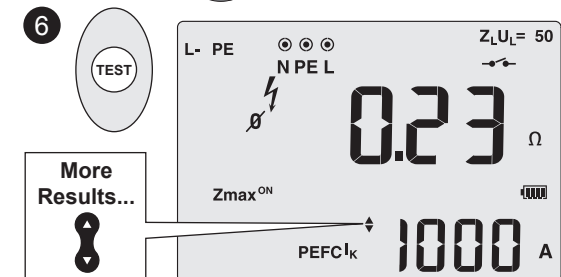
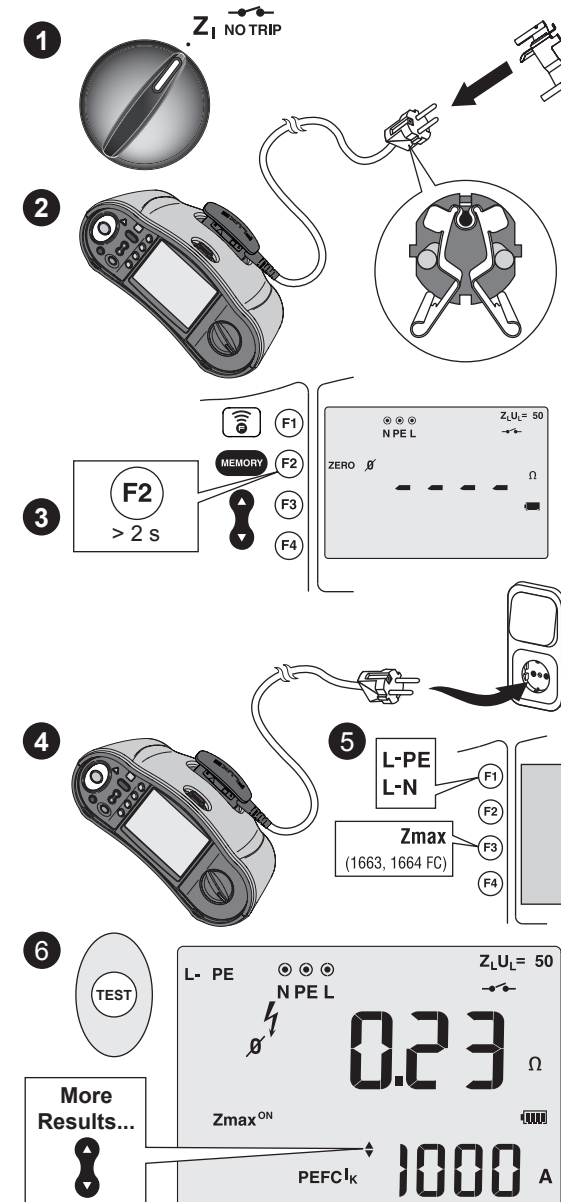
R_{ISO} Insulation · Isolement · Isolation with PRETEST (3-Wire)



R_{LO} Continuity · Continuité · Niederohm



Z_I Loop · Boucle · Schleife



Z₁ Loop · Boucle · Schleife

1 Z_1 -TRIP

2 N PE L

3 F1 F2 F3 F4
MEMORY
ZERO Ω $Z_{LU} = 50$
0.08 Ω
F2 > 2 s

4 N PE L

5 L-PE L-N mΩ

6 L-PE N PE L $Z_{LU} = 50$
0.23 Ω
mΩ PEFC_k 1000 A

$\Delta T / I_{\Delta N}$ RCD · Disjoncteur différentiel · FI

1 ΔT / $I_{\Delta N}$

2 L PE

3 TEST x1/2 x1 x5 Auto

4 TEST $\Delta T / I_{\Delta}$
N PE L $U_L = 50$
310 ms
10.0 V

Phase rotation · Rotation de phase · Phasenfolge (1663, 1664 FC)

1 Phase rotation

2 N PE L1 L2 L3

3 123

R_E Earth · Terre · Erde

1 R_E

2 PE N L

3 TEST
N PE L R_E
20.5 Ω
PE (E) N (S) L (H)
62% L

Auto Test (1664 FC)

1 AUTO TEST

2 N PE L

3 F1 F2 F3 F4
MEMORY
ZERO Ω $U_L = 50$
0.00

4 TEST 30 ma 100 300

5 TEST

6 More Results...
L-PE N PE L R_{ISO}
500 V

- Line test (L-N)
- NoTrip Loop test (L-PE)
- RCD trip current test (type AC, 30mA)
- RCD trip time test (type AC, 30mA)
- Insulation test L-PE, 500V
- Insulation test L-N, 500V
- Insulation test N-PE, 500V

1664 FC / Fluke Connect App

To download the Fluke Connect™ app, go to the Apple App Store or Google Play.

- Bluetooth button
- Bluetooth icon
- Bluetooth icon
- Bluetooth icon
- Bluetooth icon
- FLUKE 1664FC app icon
- TEST button
- CAPTURE button