



PART NAME

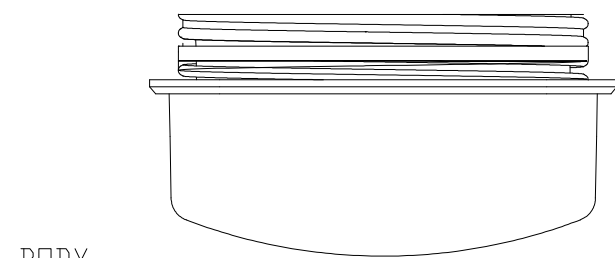
WIDE OPENING EXTERNAL VENT

PART No.

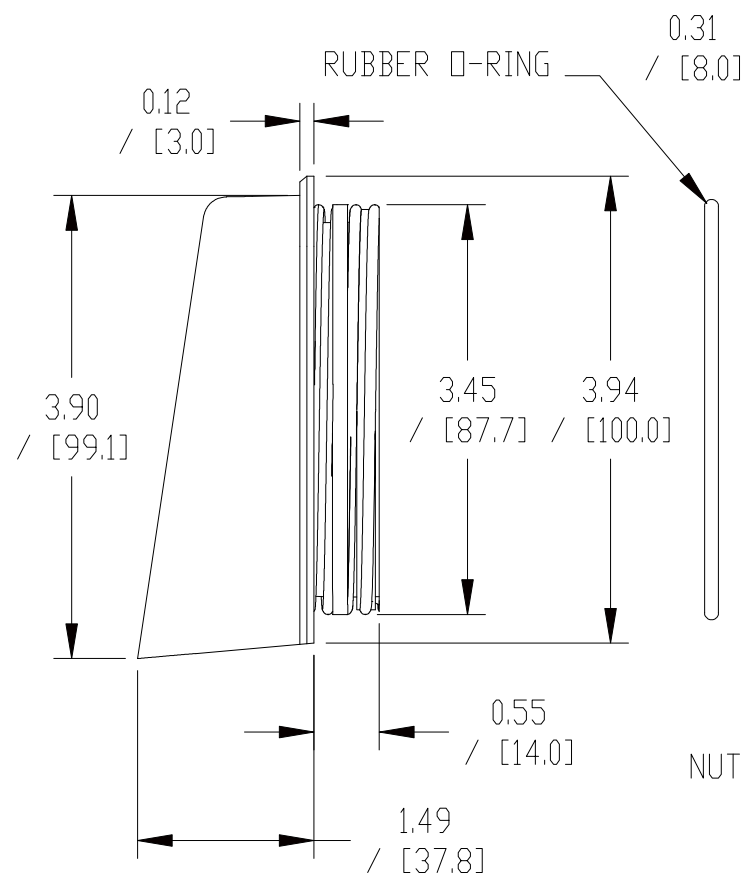
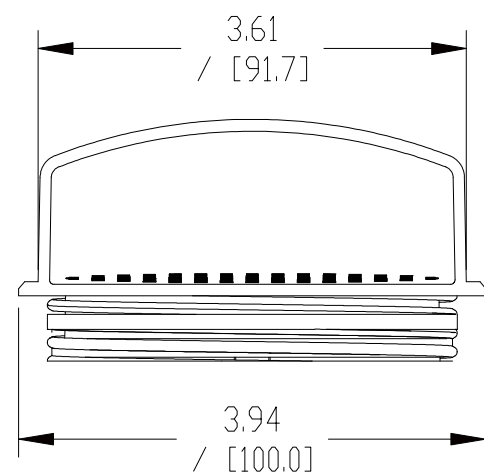
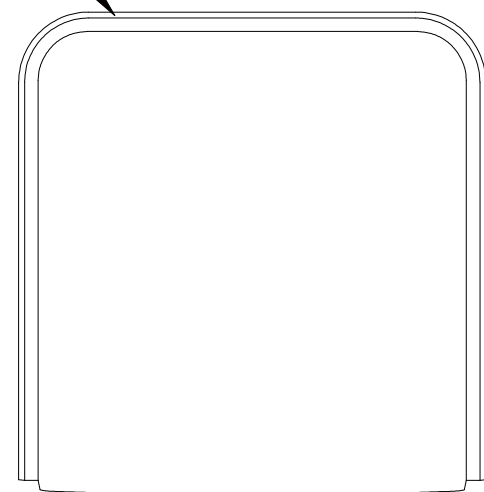
IPV-1116

REV. DATE

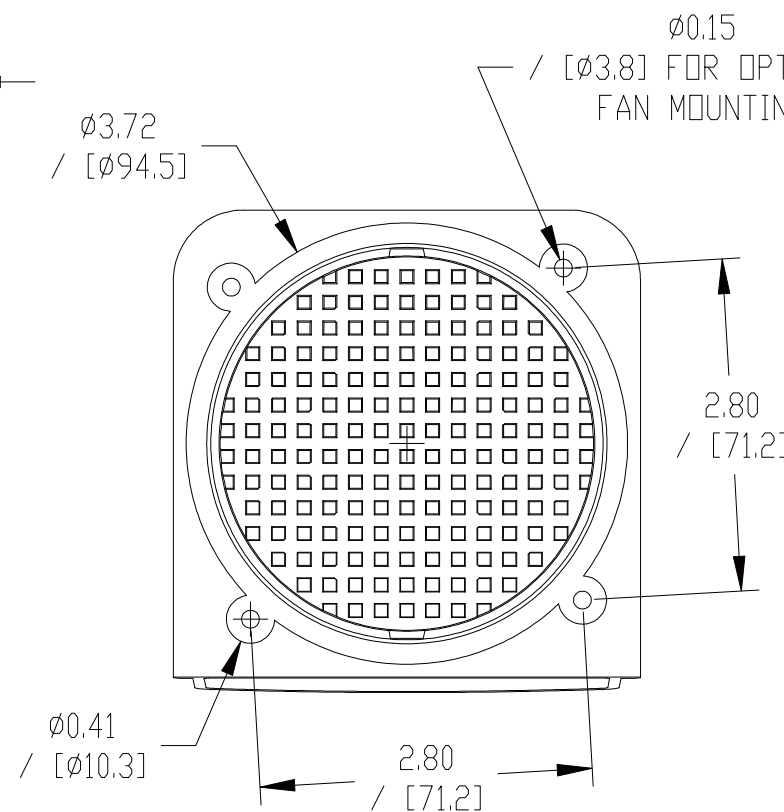
11-23-20



BODY

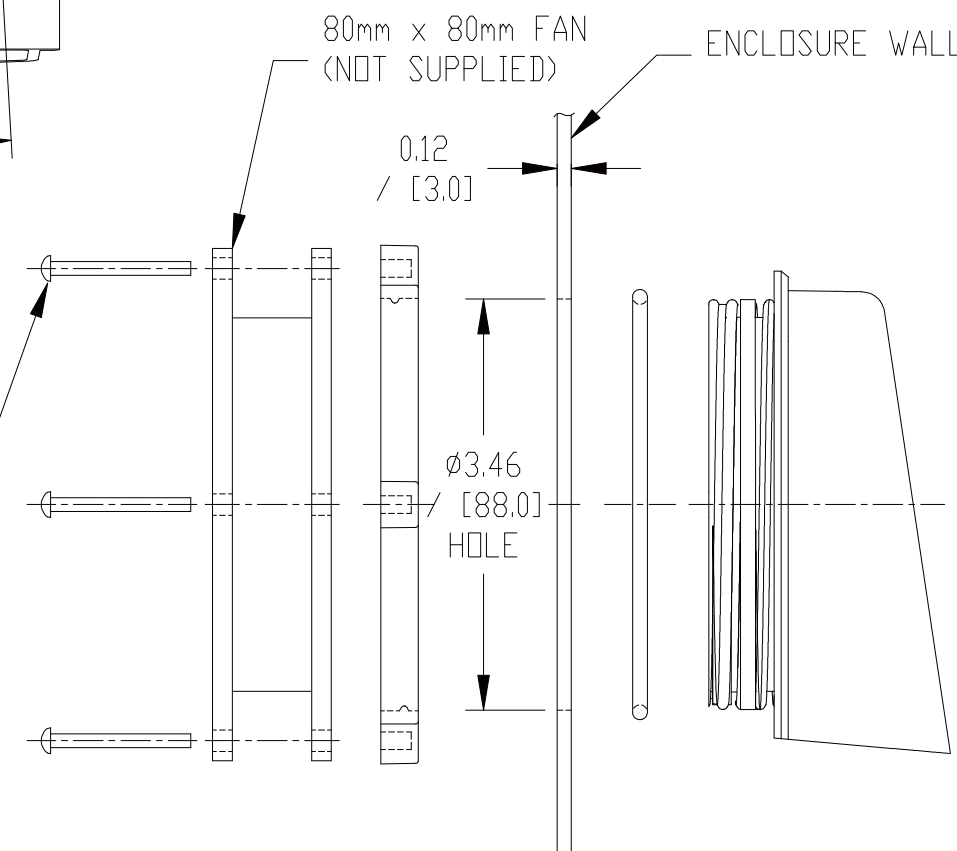


NUT



$\phi 0.41$ / [10.3]

M4 SCREWS
LENGTH AS REQUIRED
(NOT SUPPLIED)



TYPICAL INSTALLATION

MATERIAL:
BODY: LIGHT GRAY POLYCARBONATE (UL94-V0)
NUT: LIGHT GRAY ABS

ALL DIMENSIONS HAVE ± 0.03 [0.76] TOLERANCE
UNLESS OTHERWISE SPECIFIED

DIMENSIONS ARE INCH[MM]