



PART NAME

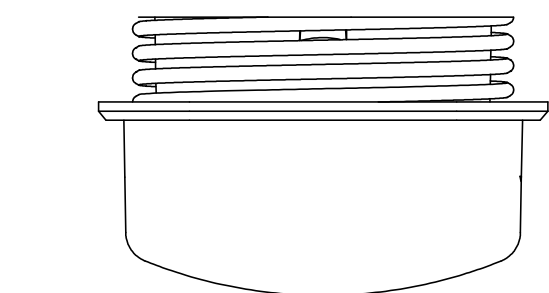
WIDE OPENING EXTERNAL VENT

PART No.

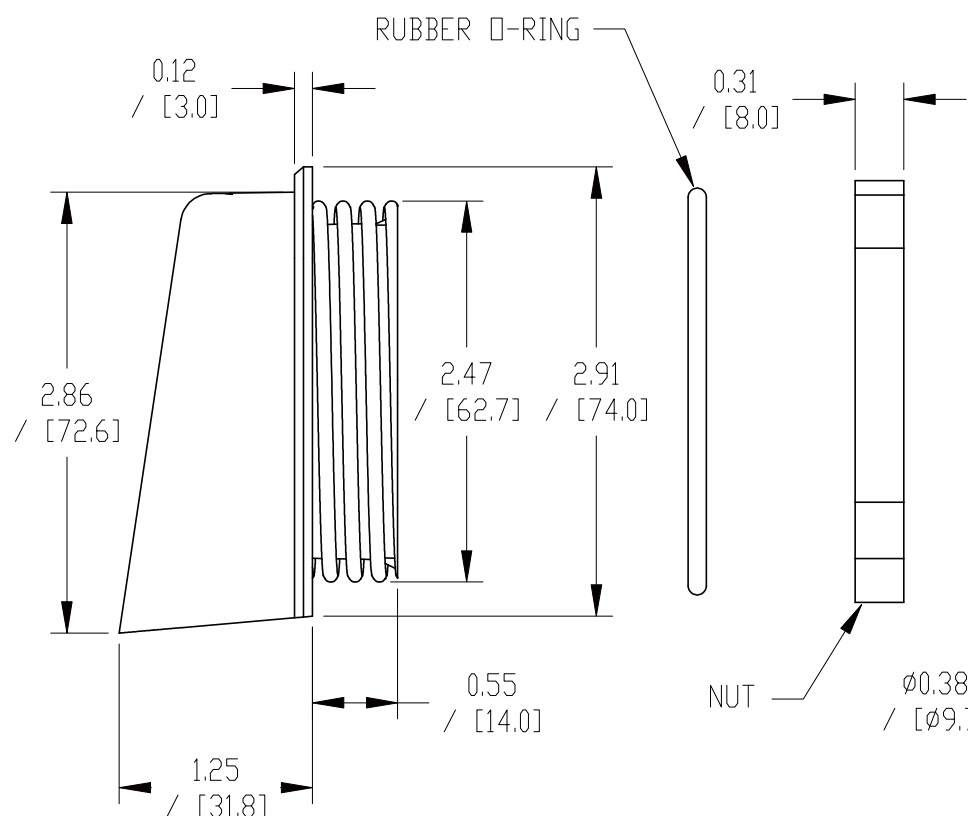
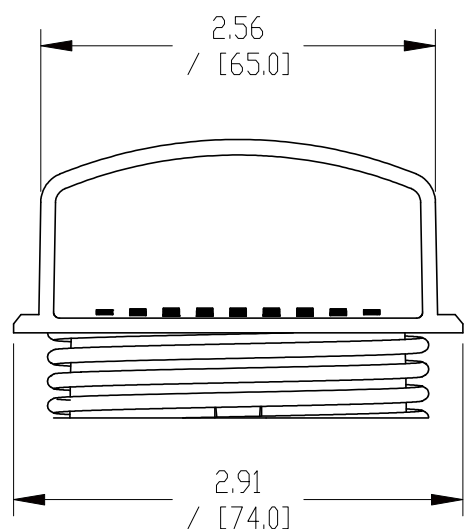
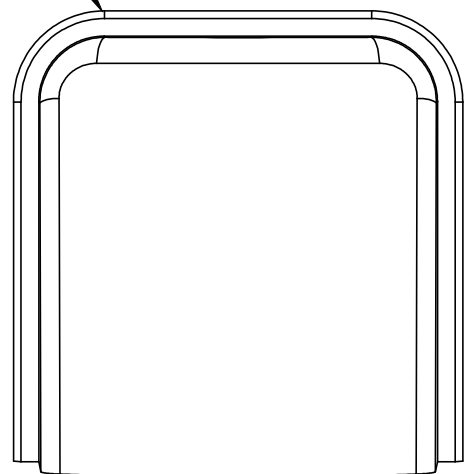
IPV-1115

REV. DATE

11-23-20

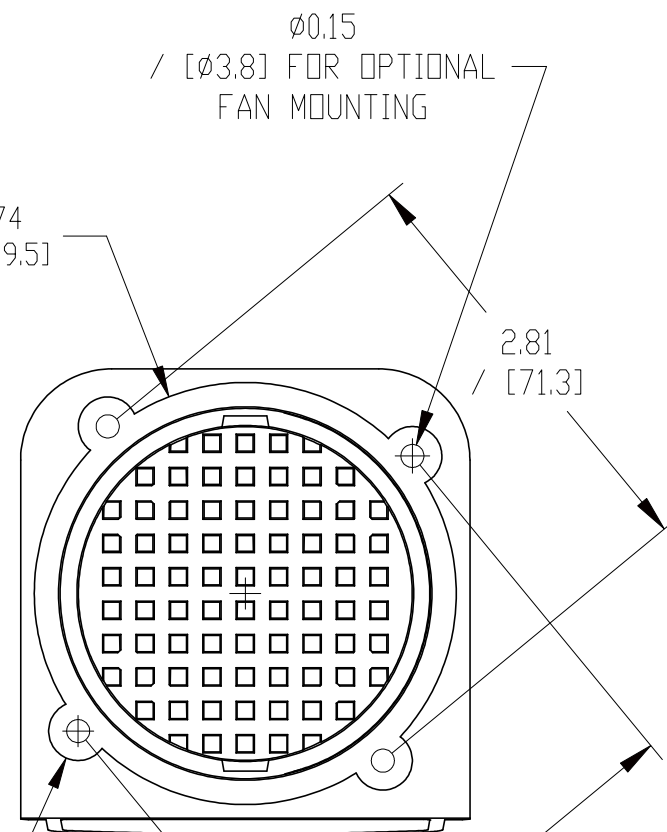


BODY



RUBBER O-RING

NUT



Ø0.15 / [Ø3.8] FOR OPTIONAL FAN MOUNTING

Ø2.74 / [Ø69.5]

2.81 / [71.3]

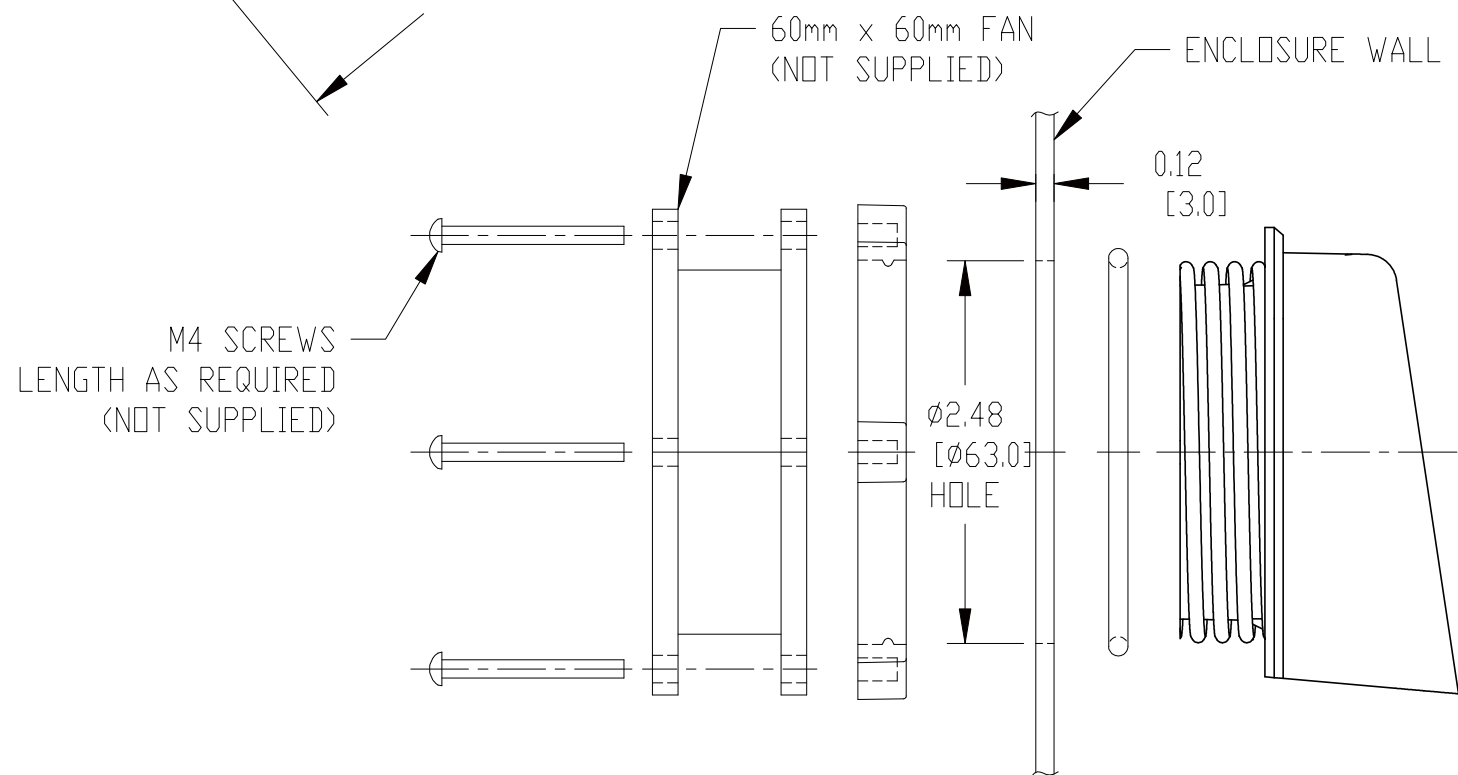
Ø0.38 / [Ø9.7]

2.81 / [71.3]

MATERIAL:  
BODY: LIGHT GRAY POLYCARBONATE (UL94-V0)  
NUT: LIGHT GRAY ABS

ALL DIMENSIONS HAVE ±0.03[0.76] TOLERANCE UNLESS OTHERWISE SPECIFIED

DIMENSIONS ARE INCH[MM]



60mm x 60mm FAN (NOT SUPPLIED)

ENCLOSURE WALL

M4 SCREWS LENGTH AS REQUIRED (NOT SUPPLIED)

Ø2.48 [Ø63.0] HOLE

TYPICAL INSTALLATION