



PART  
NAME

# FLOATING INTERNAL MOUNTING PANEL

PART  
No.

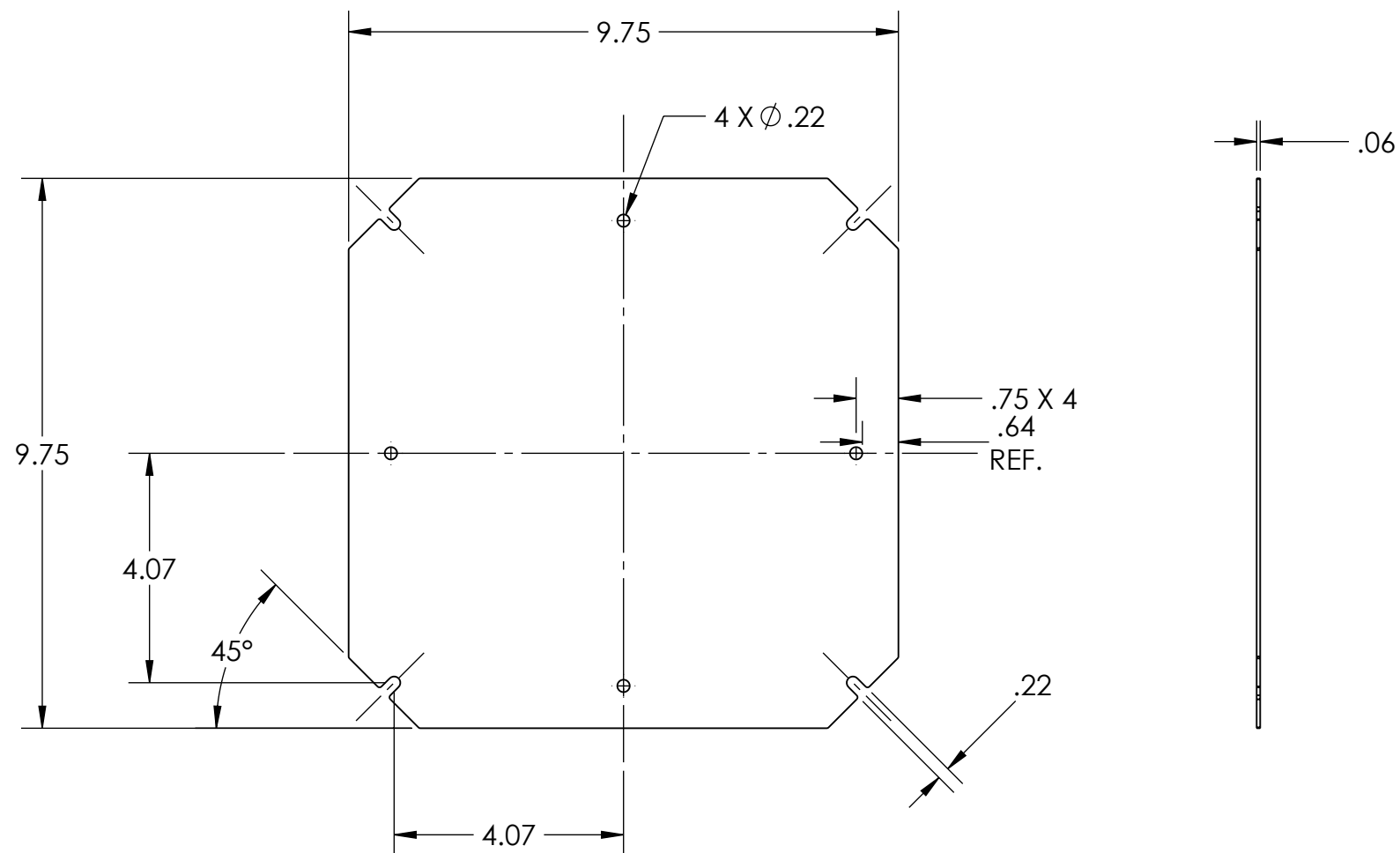
DPX-287254

REV.  
DATE

9/22/22

## MATERIAL:

1. ALUMINUM (.06 THK.) (1.524mm THK.)
2. ALL DIMENSION HAVE A  $\pm .015$  TOLERANCE UNLESS OTHERWISE SPECIFIED
3. FITS DPH-28725, DPS-28725
4. SUPPLIED WITH DPX-444 KIT (INCLUDES 4-# 10-32 X.25" MACHINE SCREWS)



### DRAWING FOR REFERENCE

WE RESERVE THE RIGHT TO MAKE CHANGES TO OUR STANDARD PRODUCTS. PLEASE CONSULT WITH BUD INDUSTRIES PRIOR TO USING THIS DRAWING FOR DESIGN PURPOSE.