



PART
NAME

BASE INTERNAL MOUNTING PANEL

PART
No.

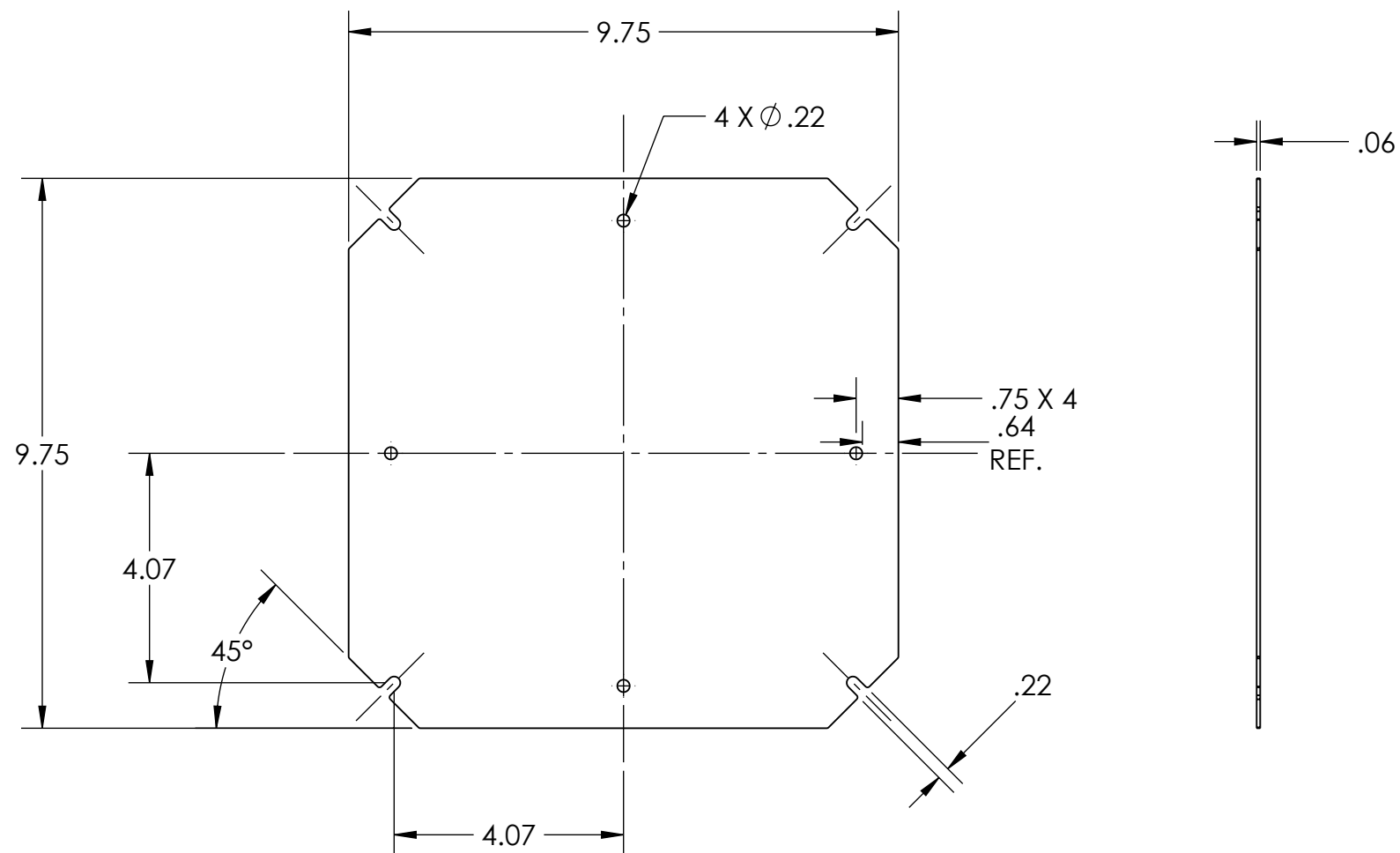
DPX-287251

REV.
DATE

9/22/22

MATERIAL:

1. ALUMINUM (.06 THK.) (1.524mm THK.)
2. ALL DIMENSION HAVE A $\pm .015$ TOLERANCE UNLESS OTHERWISE SPECIFIED
3. FITS DPH-28725, DPS-28725
4. SUPPLIED WITH DPX-103225 (4 X #10-32 X .25" MACHINE SCREWS)



DRAWING FOR REFERENCE

WE RESERVE THE RIGHT TO MAKE CHANGES TO OUR STANDARD PRODUCTS. PLEASE CONSULT WITH BUD INDUSTRIES PRIOR TO USING THIS DRAWING FOR DESIGN PURPOSE.