



PART NAME

PI SERIES - ABS MOLDED ENCLOSURE

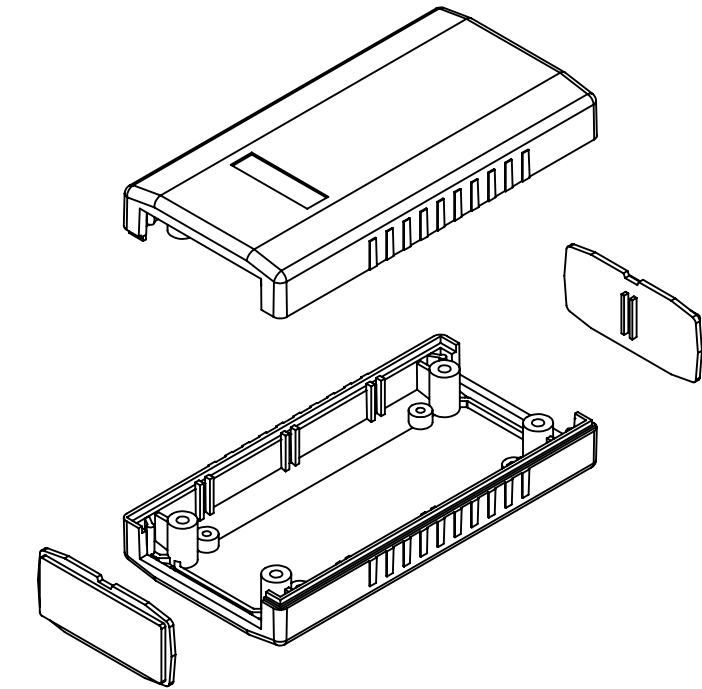
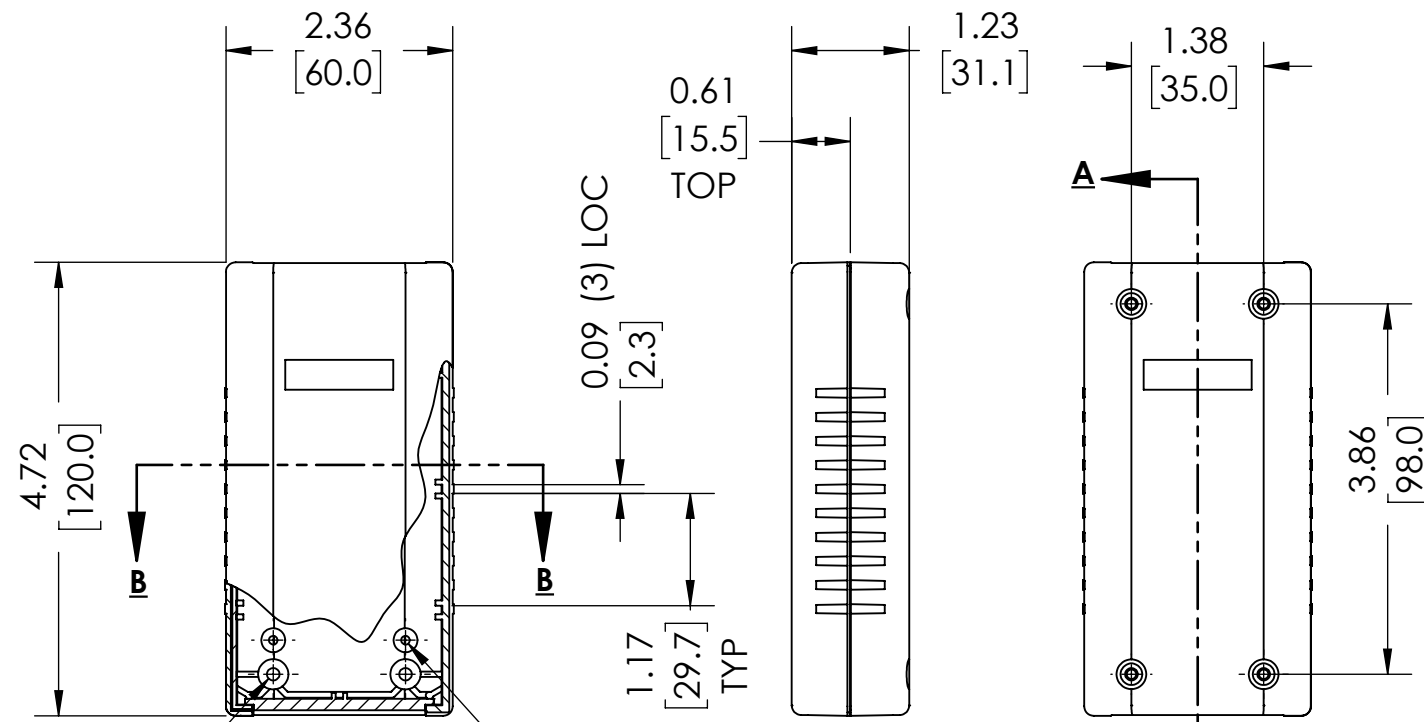
PART No.

PI-1903 & PI-1903-LG

REVISION DATE

5/29/2018

DRAWING FOR REFERENCE
WE RESERVE THE RIGHT TO MAKE CHANGES TO OUR STANDARD PRODUCTS. PLEASE CONSULT WITH BUD INDUSTRIES PRIOR TO USING THIS DRAWING FOR DESIGN PURPOSE.

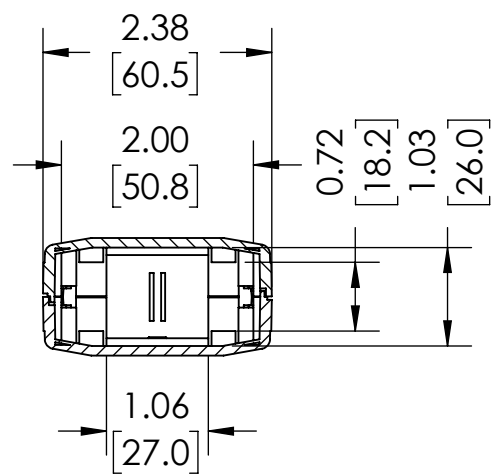


SECTION A-A

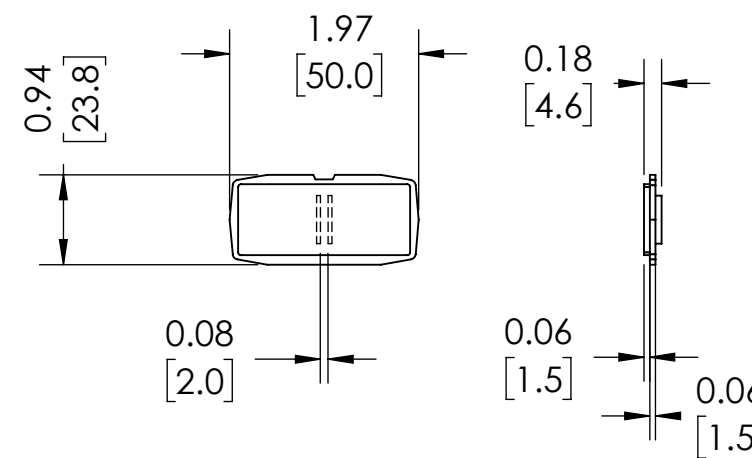
1.79 [45.5]
1.23 [31.1]
1.38 [35.0]
0.09 (3) LOC [2.3]
1.17 [29.7] TYP
3.86 [98.0]
0.78 [19.9]
3.54 [90.0]
4.37 [111.0]

.25 DIA BOSS WITH .09 DIA HOLE X .16 DP
MOUNTING BOSS (4) SEE PCB BELOW FOR LOCATIONS - USE M2.5 OR #4 SHEET METAL SCREW (NOT SUPPLIED)

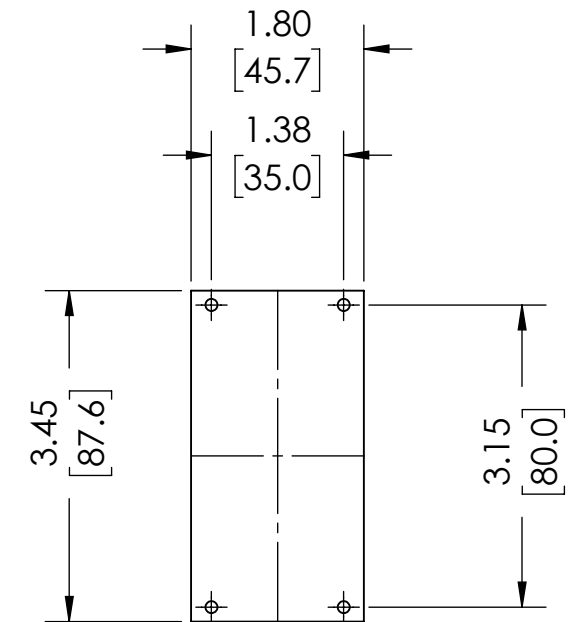
.315 DIA BOSS WITH M3 X .25 INSERT (4)



SECTION B-B



PANEL (2) PCS



SUGGESTED PCB LAYOUT

- NOTE:**
- FOUR (4X) M3 X 20mm [0.79"] SCREWS SUPPLIED FOR ASSEMBLY
 - ALL OUTSIDE AND INSIDE LARGE SURFACES FOLLOW CONTOUR OF MAIN FACE

FOR ADDITIONAL PRODUCT INFORMATION AND ACCESSORIES VISIT WWW.BUDIND.COM

MATERIAL AND FINISH:
NO SUFFIX - DARK GRAY ABS COVERS WITH LIGHT GRAY ABS END PANELS. UL94V-0 FLAMMABILITY RATING.
SUFFIX -LG - LIGHT GRAY ABS COVERS WITH DARK GRAY ABS END PANELS. UL94-HB FLAMMABILITY RATING.