

PART  
NAME

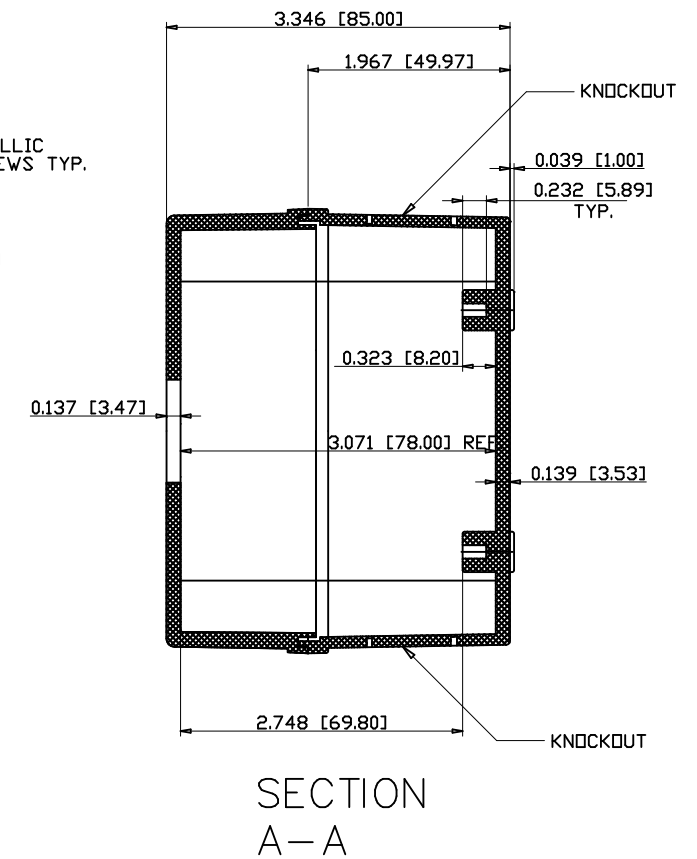
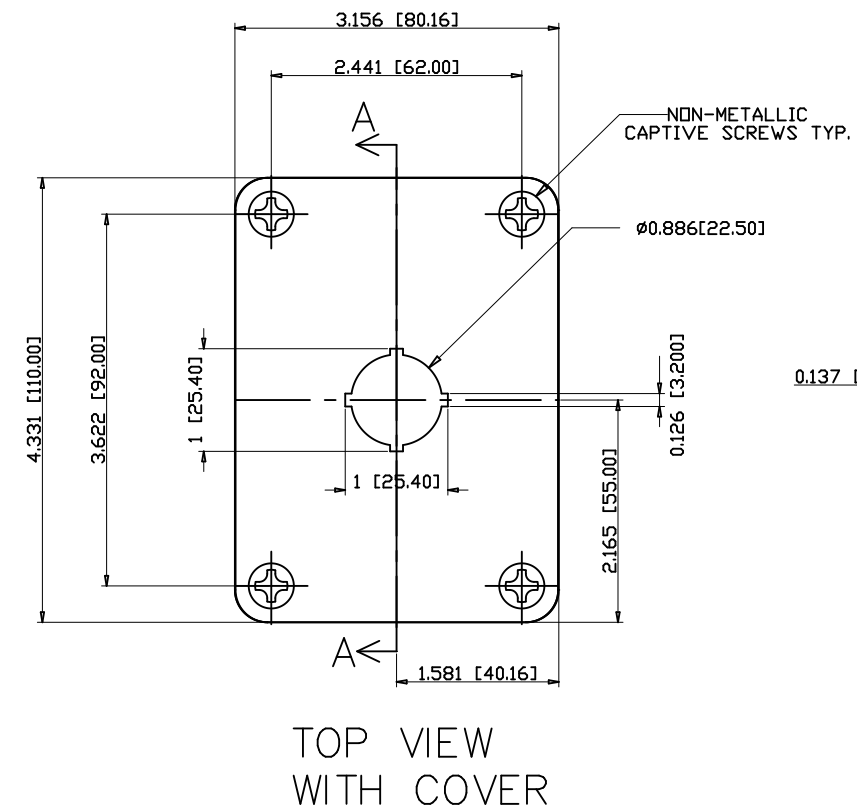
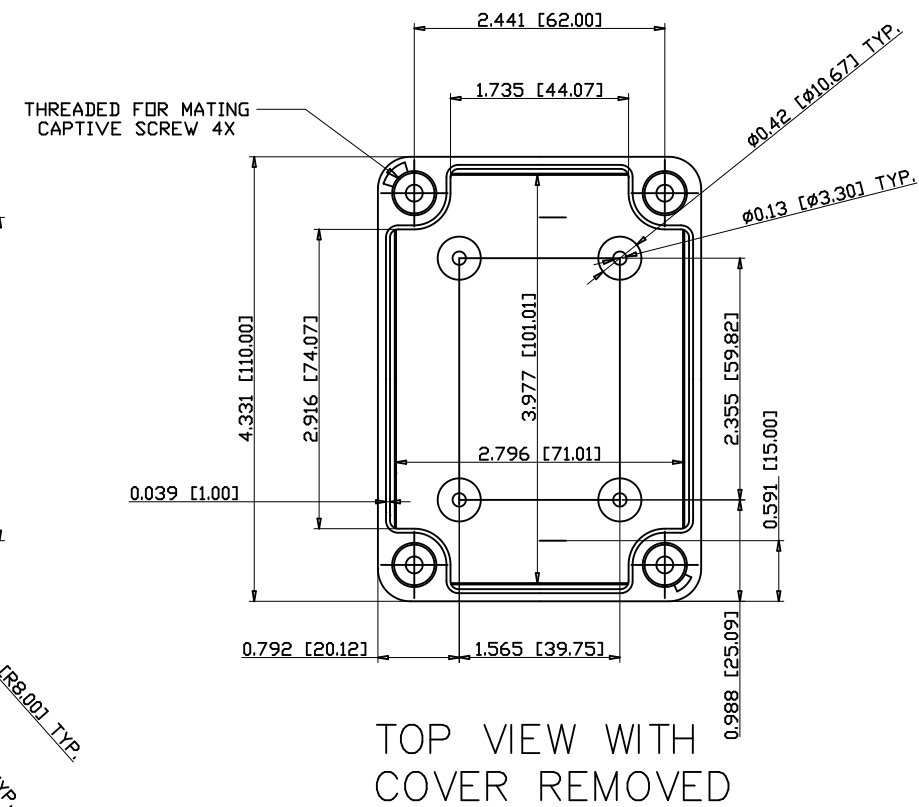
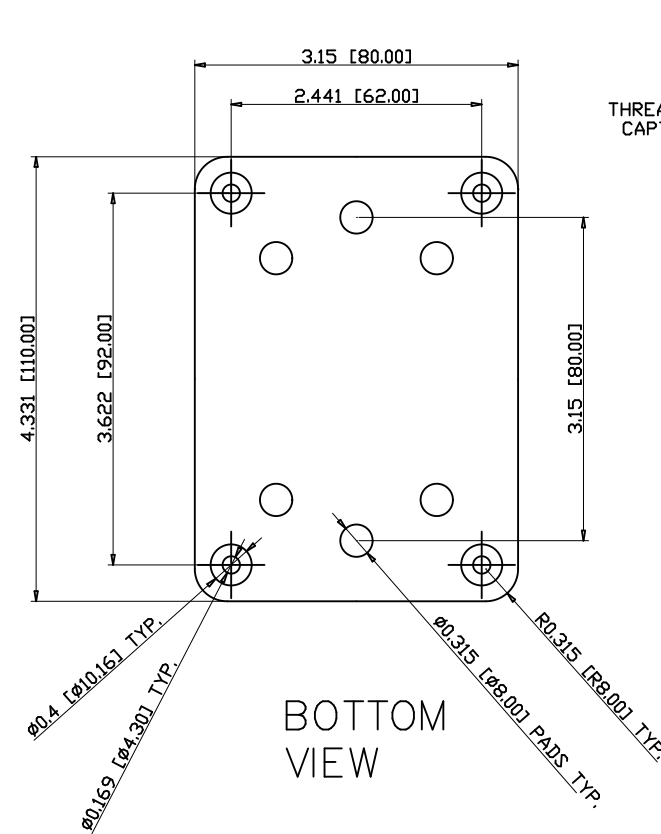
PUSH BUTTON BOX - 1 HOLE (22MM)

PART  
No.

PBB-11815-1

REVISION  
DATE

4-1-14



## NOTES:

- 1- MATERIAL: BODY- GRAY POLYCARBONATE, 10% GLASS FIBER FILLED  
COVER - GRAY POLYCARBONATE
- 2- IP-67 TUV AND UL-94V0 RATING
- 3- UL508/NEMA TYPE 4X AND TYPE 6 LISTED #E343339
- 4- CONTINUOUS GASKET IN COVER
- 5- FOUR NON-METALLIC CAPTIVE SCREWS PROVIDED
- 6- ALL OTHER DIMENSIONS HAVE +/- .03[.76] TOLERANCE
- 7- DIMENSIONS ARE INCH[MM]

