



PART NAME

NEMA DIE CAST ALUMINUM ENCLOSURE

PART No.

AN-1302-A & AN-1302-AB

REVISION DATE

1-25-21

UL LISTED FOR U.S. AND CANADA - FILE #E194432

TYPE RATING 4, 4X, 6, 6P, 12 AND 13, COMPARE TO IP-68

80°C. MAXIMUM OPERATING TEMPERATURE

UPDATE REPLACES PART NO. AN-1302 (NATURAL) & AN-1302-G (DISCONTINUED GRAY)

MATERIAL: BODY & COVER - ALUMINUM ALLOY #ADC-12

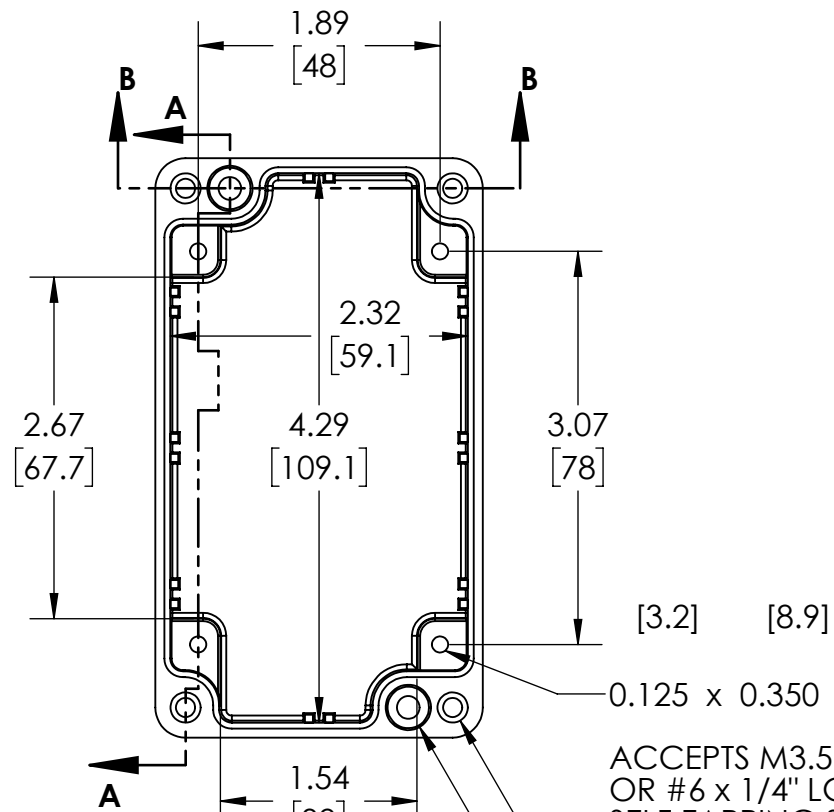
FINISH: NATURAL (SUFFIX -A)
SMOOTH BLACK POWDERCOAT (SUFFIX -AB)

FOUR (4) M4x0.7 x 20mm (.79") LG. 90° CSK. HEAD STAINLESS STEEL SCREWS SUPPLIED FOR ASSEMBLY OF COVER TO BODY. APPLY AT 12 IN./LB. OF TORQUE.

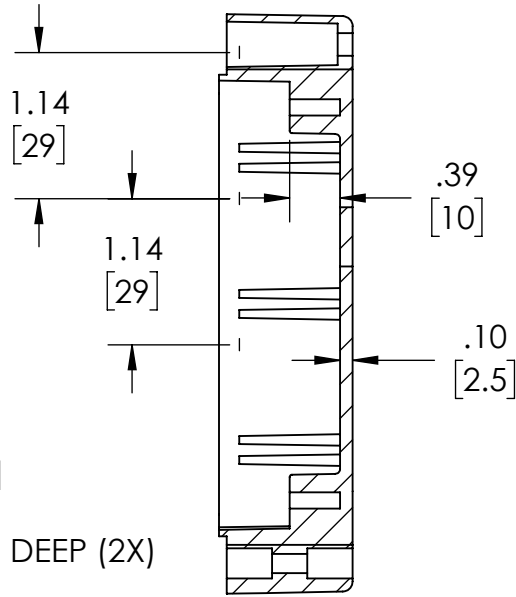
DRAWING FOR REFERENCE

WE RESERVE THE RIGHT TO MAKE CHANGES TO OUR STANDARD PRODUCTS. PLEASE CONSULT WITH BUD INDUSTRIES PRIOR TO USING THIS DRAWING FOR DESIGN PURPOSE.

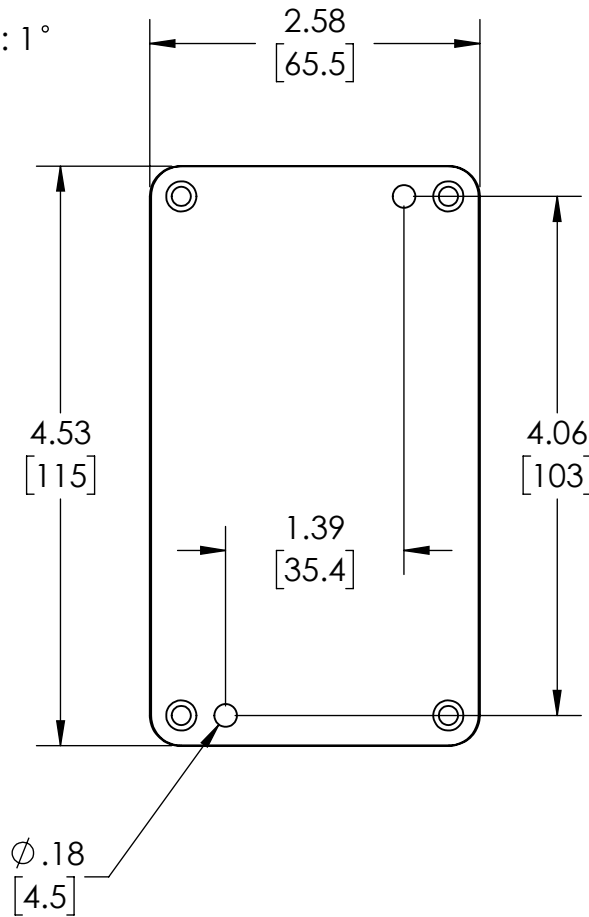
BODY COVER NOT SHOWN



OUTSIDE AND INSIDE DRAFT ANGLE: 1°
DIMENSIONS ARE INCH[MM]



SECTION A-A



0.125 x 0.350 DEEP (2X)
ACCEPTS M3.5 x 6mm LG. OR #6 x 1/4" LG. SELF-TAPPING SCREW (NOT SUPPLIED - FOR PCB MOUNTING)

Ø.18 THRU
✓ Ø.35 [9] X 2°

Ø.24 THRU
Ø.15 ▽ .63

□ Ø.24 [6] ▽ .35

.20 COVER

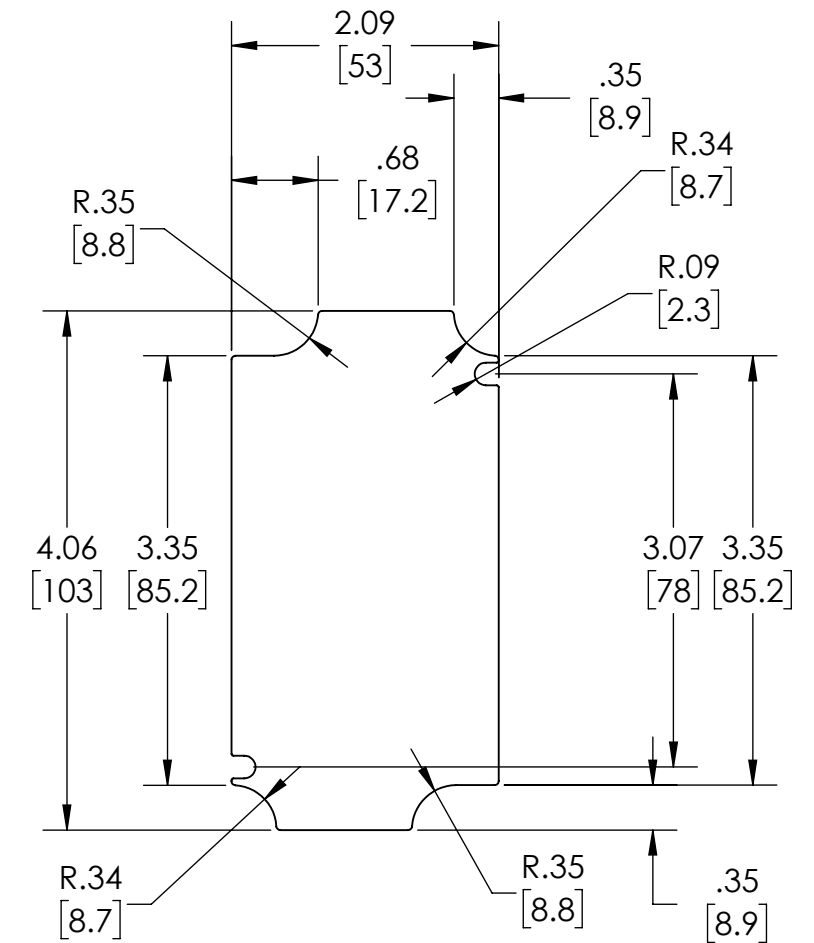
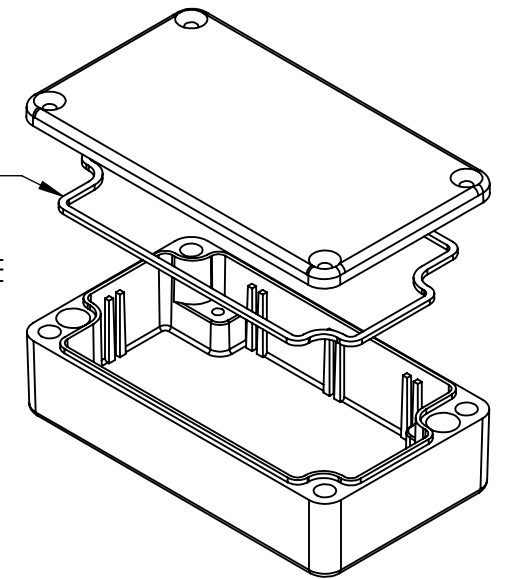
.10 [2.5]

.98 [25]

1.18 [30]

SECTION B-B

GASKET (NOT INSTALLED)
MOLDED SILICONE GRAY



OPTIONAL ACCESSORIES:
PCB MOUNTING KIT #57-58
INTERNAL PANEL #ANX-91302
WALL MOUNT BRACKETS #ANX-1390
REPLACEMENT GASKET #1301GSKTSC

OPTIONAL INTERNAL PANEL AND
SUGGESTED PC BOARD LAYOUT