

BK PRECISION®

Model: XLN3640, XLN6024, XLN8018, XLN10014

High Power Programmable DC Power Supply

USER MANUAL



Safety Summary

The following safety precautions apply to both operating and maintenance personnel and must be observed during all phases of operation, service, and repair of this instrument. Before applying power, follow the installation instructions and become familiar with the operating instructions for this instrument.

Failure to comply with these precautions or with specific warnings elsewhere in this manual violates safety standards of design, manufacture, and intended use of the instrument. B&K Precision assumes no liability for a customer's failure to comply with these requirements. This is a Safety Class I instrument.

GROUND THE INSTRUMENT

To minimize shock hazard, the instrument chassis and cabinet must be connected to an electrical ground. This instrument is grounded through the ground conductor of the supplied, three-conductor ac power cable. The power cable must be plugged into an approved three-conductor electrical outlet. Do not alter the ground connection. Without the protective ground connection, all accessible conductive parts (including control knobs) can render an electric shock. The power jack and mating plug of the power cable meet IEC safety standards.

DO NOT OPERATE IN AN EXPLOSIVE ATMOSPHERE

Do not operate the instrument in the presence of flammable gases or fumes. Operation of any electrical instrument in such an environment constitutes a definite safety hazard.

KEEP AWAY FROM LIVE CIRCUITS

Instrument covers must not be removed by operating personnel. Component replacement and internal adjustments must be made by qualified maintenance personnel. Disconnect the power cord before removing the instrument covers and replacing components. Under certain conditions, even with the power cable removed, dangerous voltages may exist. To avoid injuries, always disconnect power and discharge circuits before touching them.

DO NOT SERVICE OR ADJUST ALONE

Do not attempt any internal service or adjustment unless another person, capable of rendering first aid and resuscitation, is present.

DO NOT SUBSTITUTE PARTS OR MODIFY THE INSTRUMENT

Do not install substitute parts or perform any unauthorized modifications to this instrument. Return the instrument to B&K Precision for service and repair to ensure that safety features are maintained.

WARNINGS AND CAUTIONS

WARNING and **CAUTION** statements, such as the following examples, denote a hazard and appear throughout this manual. Follow all instructions contained in these statements.

A **WARNING** statement calls attention to an operating procedure, practice, or condition, which, if not followed correctly, could result in injury or death to personnel.

A **CAUTION** statement calls attention to an operating procedure, practice, or condition, which, if not followed correctly, could result in damage to or destruction of part or all of the product.

WARNING: *Do not alter the ground connection. Without the protective ground connection, all accessible conductive parts (including control knobs) can render an electric shock. The power jack and mating plug of the power cable meet IEC safety standards.*

WARNING: *To avoid electrical shock hazard, disconnect power cord before removing covers. Refer servicing to qualified personnel.*

CAUTION: *Before connecting the line cord to the AC mains, check the rear panel AC line voltage indicator. Applying a line voltage other than the indicated voltage can destroy the AC line fuses. For continued fire protection, replace fuses only with those of the specified voltage and current ratings.*

CAUTION: *This product uses components which can be damaged by electro-static discharge (ESD). To avoid damage, be sure to follow proper procedures for handling, storing and transporting parts and subassemblies which contain ESD-sensitive components.*

Store/Move/Maintain

Storage

When this device is not in use, properly package it and store it in an environment suitable for storage (if present in a good preserving environment, the packaging process can be waived).

Freight

While moving this product, move it by using the original packaging to pack this product in advance. If the packaging material is lost, use an equivalent buffer material to replace it in packaging; and with external marks indicating “fragile & water-prevention”.

Maintenance

Please return the power supply to factory for any repair, service, or maintenance.

Disposal

When the device is in an unusable condition and can't be repaired, please discard it according to your company's disposal procedures or local legal procedures. Don't discard arbitrarily to avoid polluting the environment.

Table of Contents

- 1. Preface..... 1**
 - 1.1 Products Outline 1
 - 1.2 Features 2
 - 1.3 Specifications 4
- 2. Cautions Before Using 9**
 - 2.1 Check and Confirm Accessories before Using 9
 - 2.2 Operation Instructions 9
 - 2.3 Ambient Environment 9
 - 2.4 Storage 10
 - 2.5 Power-line voltage 10
 - 2.6 Fuses 10
 - 2.7 Warm-up Time 11
 - 2.8 Power-off procedure 11
 - 2.9 Cautions in Operation 11
- 3. Front Panel Operation..... 12**
 - 3.1 XLN3640/XLN6024/XLN8018/XLN10014 Panel 12
 - 3.1.1 Front Panel 12
 - 3.1.2 Rear Panel 31
- 4. Operation Instructions 35**
 - 4.1 Voltage Setting 35
 - 4.2 Current Setting 35
 - 4.3 Over-voltage Protection OVP 35
 - 4.4 Over-current Protection OCP 35
 - 4.5 Voltage Output 36

- 4.6 Control Voltage Output with Rotary knob..... 36
- 4.7 Timer Function 36
- 4.8 Series (cascade) / Parallel Mode Setting 37
 - 4.8.1 Parallel Connection Setting..... 37
 - 4.8.2 Series Mode Setting 39
 - 4.8.3 Error Message of Series/Parallel Connection 42
- 4.9 External Tuning Setting 43
- 4.10 Timer of Current Flow..... 44
- 4.11 Programmable Capability (SCPI Command Only) 45
- 4.12 Multi-unit Connection mode (RS485)..... 51
- 5. Protection and Error Messages..... 55**
 - 5.1 Over-voltage Protection (OVP)..... 55
 - 5.2 Over-current Protection (OCP)..... 55
 - 5.3 Overpower Protection (OPP)..... 55
 - 5.4 Constant Voltage Protection (CV TO CC)..... 56
 - 5.5 Constant Current Protection (CC TO CV)..... 56
 - 5.6 Over-temperature Protection (OTP) 56
 - 5.7 Low Voltage Protection (ACD) 57
 - 5.8 Error Input Message 57
- 6. Remote Interface communication protocol 58**
 - 6.1 Prefaces 58
 - 6.2 Parameters Definition 58
 - 6.3 The Error/Event List..... 59
 - 6.4 Remote Communication Protocol 60
 - 6.5 SCPI Conformity Information 63
 - 6.5.1 Common SCPI commands 63
 - 6.5.2 SCPI Command subsystem..... 64

- 6.6 State Bit Definition..... 75
- 6.7 LAN Communication (-GL versions)..... 76
- Using Web Server..... 76**
 - Main Page (Home)..... 77
 - Using Telnet 79
 - Using Sockets..... 79
- 7. Assemble Accessories..... 80**
 - 7.1 Assemble Rack Mount Brackets 80
 - 7.2 Assembly of Output Protective Cover
(XLN6024/XLN8018/XLN10014)..... 81
 - 7.3 Assembly of Remote Sense Protective Cover
(XLN6024/XLN8018/XLN10014)..... 82
- 8. Accessories..... 83**
- 9. Service Information 85**
- 10. Limited Three-year Warranty 86**

1. Preface

1.1 Products Outline

B&K Precision models XLN3640/XLN6024/XLN8018/XLN10014 are programmable DC power supplies with single outputs that offer the maximum power output up to 1440 watts (0 -- 36 V/40 A or 0 -- 60 V/24 A or 0 -- 80 V/18 A or 0 -- 100 V/14.4 A). With a 16-bit D/A, A/D converter embedded, the power supplies come with the resolution of 1mV in voltage setting and 1mA in current setting. By connecting up to 4 power supplies in parallel or series, a maximum power output up to 5760 watts can be generated. With four XLN10014 connected in series, the maximum output voltage can reach 400 V. With four XLN3640 connected in parallel, the output current can reach up to 160 A.

The XLN series provides a rotary control knob and numerical and function keys to make the instrument convenient and easy to use. Additionally, the power supplies provide a memory space for storage of 10 instrument settings that can be recalled directly. This feature offers an easy way to restore the application settings. In addition, users can program to control when to cut off the output. This feature provides extra safety for burn-in and electroplating applications. The supplies also provide over voltage protection (OVP), over current protection (OCP), and over power protection (OPP) features used to keep the output voltage and current within safety level and preventing damage to the UUT (Unit Under Test) due to excessive current. The key lock feature is added to avoid accidental setting changes to the XLN series. When the input power and the load change, the power supplies maintain a stable output due to load and line regulation of less than 0.05%; the transient time less than 1 ms. In remote mode, the supplies can output a new voltage/current setting 50 ms after receiving a command, which can increase the throughput on production lines.

1.2 Features

1) Output Voltage & Current

Voltage output range: 0 -- 36V (XLN3640) / 0 -- 60V (XLN6024)
0 -- 80V (XLN8018) / 0 -- 100V

(XLN10014)

Current output range: 0 -- 40A (XLN3640) / 0 -- 24A (XLN6024)
0 -- 18A (XLN8018) / 0 -- 14.4A

(XLN10014)

Power output range: 0 -- 1440W

2) Rotary knob, numerical keys and functions keys

The rotary knob can be used to rapidly change the output voltage setting and simulate the surge of the voltage output. It offers a good solution for testing triggering circuits. Numerical keys allow for direct entry of parameters. Using function keys to switch modes makes the overall operation more convenient.

3) Precise voltage and current measurement

Besides the precise output, the XLN series also offers the capability to measure voltage & current accurately (read back), saving users the extra expense and space for extra measuring instruments.

4) Internal memory and timer function

The XLN series provides a memory space for storage and retrieval of 10 instrument settings. The instruments provide one (1) timer with the resolution of 1 second. The timers are used to time the outputs. When the timer counts down to zero the power supply will automatically turn the output off. This feature is useful when the supply is providing power to the test object in a burn-in room where operators can precisely set the time when the equipment is to shut off.

5) OVP (over voltage protection), OCP (over current protection) and OPP (over power protection) and key lock functions

The over voltage protection (OVP), over current protection (OCP) and over power protection (OPP) features limit the maximum output current and voltage to avoid damages to the unit under test (UUT). The key lock feature disables all keys except the CLR key. It prevents damaging the

UUT by accidentally entering the wrong settings.

6) Series & parallel connection mode

The series-parallel connection mode of two or more units (maximum to 4 units) significantly increases the combined output power to a maximum of 5760 W. In parallel connection mode of four XLN3640 the maximum output is 36 V/160 A; and in series connection mode of four XLN10014, the maximum output is 400 V/14.4 A.

7) Multi-unit connection mode

The RS 485 interface can be used to connect multiple power supplies in series, up to maximum of 30 units. They can be controlled via USB interface with a computer.

1.3 Specifications

XLN3640/XLN6024 Specifications		
Output Rating	XLN3640	XLN6024
Output Voltage	0--36 V	0--60 V
Output Current	0--40 A	0--24 A
Output Power	1440 W	1440 W
Output Protection		
OVP Adjustment Range	2--38 V	3--64 V
OVP Accuracy	200 mV	300 mV
Line Regulation		
Voltage	≤ 4 mV	≤ 6 mV
Current	≤ 4 mA	≤ 4 mA
Load Regulation		
Voltage	≤ 8 mV	≤ 8 mV
Current	≤ 8 mA	≤ 7 mA
Ripple/Noise (20Hz-20MHz)		
Normal Mode Voltage (≥ 0.5 % of max. power)	≤ 5 mVrms/ ≤ 60 mVpp	≤ 6 mVrms/ ≤ 70 mVpp
Normal Mode Current	≤ 90 mA	≤ 70 mA
Programming Resolution		
Programming	1 mV/1 mA	1.5 mV/1 mA
Readback	1 mV/1 mA	1.5 mV/1 mA
Programming Accuracy (% output+offset)		
Voltage	0.05 %+10 mV	0.05 %+15 mV
Current	0.05 %+10 mA	0.05 %+18 mA
Readback Accuracy (% output+offset)		
Voltage	0.05 %+10 mV	0.05 %+15 mV
Current	0.05 %+10 mA	0.05 %+18 mA

General		
Average Command Response Time	≤50 ms	≤50 ms
Power Factor Correction	0.99 (Full load)	0.99 (Full load)
Remote Sense Compensation	2V	2V
Rising Time at Full Load	≤ 15 ms	≤ 20 ms
Rising Time at No Load	≤ 15 ms	≤ 20 ms
Falling Time at Full Load	≤ 15 ms	≤ 20 ms
Falling Time at No Load	≤ 1000 ms	≤ 1000 ms
Standard Interface	USB	
Transient Response Time	≤ 1 ms	
Efficiency	80 %	
AC Line Rated Input Voltage	100--240 VAC (Full load)	
Tolerance/Variation in Voltage	-15% -- +10% (10% power de-rating mode when voltage under 95 VAC)	
Rated Frequency	47 Hz--63 Hz	
Maximum Rated Input Power	1700 VA	
Temperature Ratings(O)	Operation (0 °C -- 40 °C)	
Temperature Ratings(S)	Storage (-10 °C -- 70 °C)	
Dimensions(W*H*D)	16.5 x 1.7 x 17 inch(420 x 43.6 x 432 mm)	
Weight	19.8 lbs. (9 kg)	
Standard Accessories	Power Cord, Terminal Blocks for Rapid Plug Connector, Rackmount Kit, Manual	
Standard Interface	USB	
Optional Interface	LAN & GPIB	

XLN8018/XLN10014 Specifications

Output Rate	XLN8018	XLN10014
Output Voltage	0~80 V	0~100 V
Output Current	0~18 A	0~14.4 A
Output Power	1440 W	1440 W
Output Protection		
OVP Adjustment Range	4~85 V	5~105 V
OVP Accuracy	400 mV	500 mV
Line Regulation		
Voltage	≤ 8 mV	≤ 10 mV
Current	≤ 4 mA	≤ 4 mA
Load Regulation		
Voltage	≤ 10 mV	≤ 12 mV
Current	≤ 6.5 mA	≤ 6 mA
Ripple/Noise (20Hz-20MHz)		
Normal Mode Voltage (≥ 0.5 % of max. power)	≤ 7 mVrms/≤ 80 mVpp	≤ 8 mVrms/≤ 80 mVpp
Normal Mode Current	≤ 50 mA	≤ 40 mA
Programming Resolution		
Programming	2 mV/1 mA	2.5 mV/1 mA
Readback	2 mV/1 mA	2.5 mV/1 mA
Programming Accuracy (% output+offset)		
Voltage	0.05 %+20 mV	0.05 %+25 mV
Current	0.05 %+7 mA	0.05 %+6 mA
Readback Accuracy (% output+offset)		
Voltage	0.05 %+20 mV	0.05 %+25 mV
Current	0.05 %+7 mA	0.05 %+6 mA

General		
Average Command Response Time	≤ 50 ms	≤ 50 ms
Power Factor Correction	≥ 0.99 (Full load)	≥ 0.99 (Full load)
Remote Sense Compensation	2 V	2 V
Rising Time at Full Load	≤ 25 ms	≤ 30 ms
Rising Time at No Load	≤ 25 ms	≤ 30 ms
Falling Time at Full Load	≤ 25 ms	≤ 30 ms
Falling Time at No Load	≤ 1000 ms	≤ 1000 ms
Transient Response Time	≤ 1 ms	
Efficiency	≥ 80 %	
AC Line Rated Input Voltage	100~240 VAC (Full load)	
Tolerance/Variation in Voltage	-15 % ~ +10 % (10 % power de-rating mode when voltage under 95 VAC)	
Rated Frequency	47 Hz~63 Hz	
Maximum Rated Input Power	1700 VA	
Temperature Ratings(O)	Operation (0 °C -- 40 °C)	
Temperature Ratings(S)	Storage (-10 °C -- 70 °C)	
Dimensions(W*H*D)	16.5 x 1.7 x 17 inch (420 x 43.6 x 432 mm)	
Weight	19.8 lbs. (9 kg)	
Standard Accessories	Power Cord, Terminal Blocks for Rapid Plug Connector, Rackmount Kit, Manual	
Standard Interface	USB	
Option Interface	LAN & GPIB	

Specifications and information is subject to change without notice

Features of models XLN3640/XLN6024/XLN8018/XLN10014:

- Graphical, easy to read LCD display
- Compact, high efficiency and power density
- 40 A output connector for quick connectivity
- Convenient numerical & function keys
- Store and recall 10 instrument settings
- Timer (1 sec -- 100 hours)
- Programmable (SCPI command only)
- List mode supports up to 10 sets of program and maximum 150 steps in total
- Auxiliary 5 V/1 A output
- Built-in precise voltage and current measurement
- OVP, OCP, OPP and key-lock function
- Series & parallel connection setup (up to 4)
- Multi-unit connection mode via RS485 interface allows connection of up to 30 power supplies.
- Average measuring time per measurement is 50 ms
- Standard USB interface
- Optional interfaces: GPIB, LAN (order models XLN3640-GL, XLN6024-GL, XLN8018-GL, XLN10014-GL)

2. Cautions Before Using

2.1 Check and Confirm Accessories before Using

After receiving this product, please verify the items received in accordance with the ones listed below:

1. The appearance of the products is without scratch or other damages.
2. Standard parts as shown in parts list of section 8.

2.2 Operation Instructions

In order to avoid damaging the instrument due to improper operation, be sure to read this user manual. To maintain the specified accuracy, factory calibration should be performed annually.

2.3 Ambient Environment

1. Do not locate or operate this product in an environment with dust, vibration, or corrosive gas and do not expose this product directly to the sunlight. Operate it in an environment with temperature 0--40°C & relative humidity 20%--80%. Pause the operation when ambient temperature is over 40°C; undo the operation only after the ambient temperatures drops to the acceptable temperature range. Operating temperature over the above range would damage the instrument.
2. This product is equipped with one blow-out type cooling fan on the back board and three in-take cooling fans on inner side of front board. Provide room for good ventilation near the cooling fans and keep the boards with a space above 10cm away from wall. To maintain good accuracy, do not block the ventilation holes in the front and the rear parts of the unit.
3. Although the product is designed with filters to minimize noise from AC power source, it is recommended that it be operated in a low power noise environment with proper earth ground. If the power noise is unavoidable, please install a power filter.

2.4 Storage

The storage temperature range of this product is within -10°C - 70°C and R.H. should be within 80% without moisture condensing. If not operating this product for a long time interval, pack it with original packaging or similar one and put it in a dry place without exposure to direct sunlight.

2.5 Power-line voltage

Rated AC power source connected to this product is within 100 V-240 V (refer to the Product Specification for details). Before connecting to external power source, be sure that the power switch is in OFF state and verify the suitability of power cable (including the extension line). It should be compatible with the rated voltage/current and should be firmly connected.

Warning:

The power cable attached with this product is certified for safety. To change a cable or add an extension cable, be sure that it can meet the required power ratings of this product. Any misuse with an additional cable would void the warranty of this product.

2.6 Fuses

This product is a switching mode power supply. The fuse installed inside is a multi-barrier protection hardware design. It should not break under normal operation. In case the fuse does melt, it indicates another malfunction that causes the fuse to break. In this case, it is suggested to send this product back to service.

Warning:

Any disassembling of the casing or changing the fuse not performed by an authorized service technician will void the warranty of the instrument.

2.7 Warm-up Time

The XLN series is fully operable upon switching the power on. However, to reach the specified equipment accuracy, please allow the supply to warm up for at least 30 minutes.

2.8 Power-off procedure

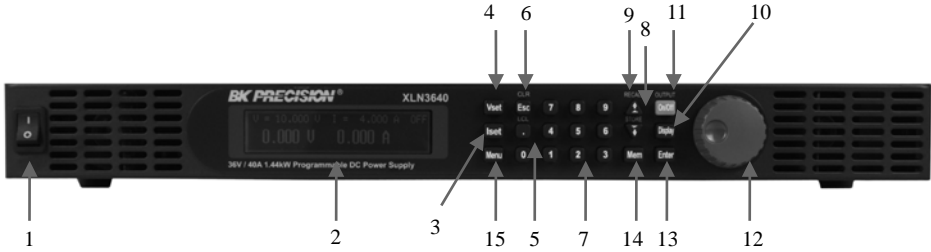
When the supply is not in use, be sure to turn the power switch on the panel to the OFF position to turn off the power. After the power switch is turned to the OFF position, the inner fans will still run for approximately 10-15 seconds to carry on the inside electric capacitor discharge process per safety code requirement. Once the discharge process is complete, this product will carry out the automatic shut-down process

2.9 Cautions in Operation

- A. While connected in series, each power supplies should be in power-on state and output should be "ON". In case there is any one supply that is in power-off state or output is "OFF", the associated output current will flow over the output bypass diode of the power-off unit and burn it out.
- B. While in parallel connection mode, the output voltage of each power supplies should be set to equal values. If the setting value of each unit is not the same, the higher output voltage will feed back to the smaller unit and destroy its inner parts.
- C. When the AC input voltage is lower than the full-load voltage which is 100 VAC, the supplies will activate an inner over temperature protector and cut off the output in response to the condition. To ensure that the entire test process can be complete smoothly, confirm that the input AC voltage is within the specified range.

3. Front Panel Operation

3.1 XLN3640/XLN6024/XLN8018/XLN10014 Panel



3.1.1 Front Panel

(1) **Power switch:**

Please consult the “Cautions before use” section before turning on power switch.

(2) **Display:**

192x32 Graphic LCD Module

(3) **Current setting **Iset**:**

Press **Iset** to set up the current limit.

(4) **Voltage setting **Vset**:**

Press **Vset** to set up the output voltage.

(5) **Dot/Local **.**:**

This button is applied as a decimal point. Or push this button after entering REMOTE online state to revert back to LOCAL mode (unit-operation mode). Or press this button to release after entering LOCK mode.

(6) **ESC/CLR** (Esc):

Press this button to clean up numerical setting or jump to the previous screen.

(7) **Numerical keys** (0) - (9):

They are used to directly input the voltage or current value or choose the setting option in Menu screen.

(8) **Down/Right/Store** (↓):

This key is a multi-function key for the following three functions:

Down: In “Menu Setting” status, use this “Down” key to move cursor to the next item.

Right: Under “Output” status, use this key to move cursor right.

Store: Under Memory Setting status, use this key to store setting to the selected memory set.

(9) **Up/Left/Recall** (↑):

This key is a multi-function key for the following three functions:

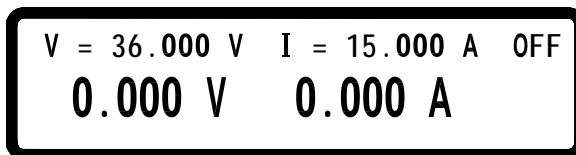
Up: In “Menu Setting” status, use this “Down” key to move cursor to the up item.

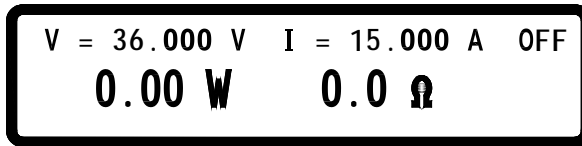
Left: Under “Output” status, use this key to move cursor left.

Recall: Under Memory Setting status, use this key to recall setting from the selected memory set.

(10) **Display** (Display):

In “Menu Setting”, press (Display) to return to main screen or toggle the display to show voltage and current or power and load resistance as shown below:





(11) **Output** **On/Off**:

Control the On/Off of the output power.

(12) **The rotary knob**:

Use this knob to adjust voltage or current (press **Enter** first to let cursor display first). This is adjustable when output is ON.

(13) **Enter** **Enter**:

This key is the confirmation key of current or voltage setting value; or press **Enter** under output status to dynamically adjust voltage (at CV mode) or current (at CC mode).

(14) **Mem** **Mem**:

Press this key to enter access the storage memory. Users can then use the numerical key or knob to select the target memory set to save or recall the configuration by pressing the STORE or RECALL key. Ten sets are available in selection.



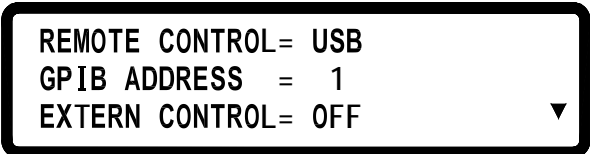
(15) **Menu** **Menu**:

Use this key to enter system parameter settings. There are eight (8) major items under operation. Users may press **↑**, **↓** to scroll through the menu list or the numerical keys to enter the corresponding item number in the menu list.



1. SYSTEM SETTING:

Pressing **1** key in the first page of Menu Setting will enter the following “SYSTEM SETTING” menu.



REMOTE CONTROL: Choose the remote interface
(USB/GPIB/ETHERNET)

*GPIB and ETHERNET available only
with on models with “-GL” suffix

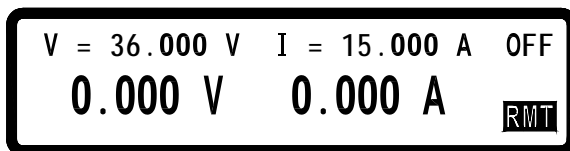
*USB control requires installing USB
drivers first. Download USB driver
from www.bkprecision.com

***USB interface is a virtual COM port. The settings are:**

Baudrate : 57600 bps

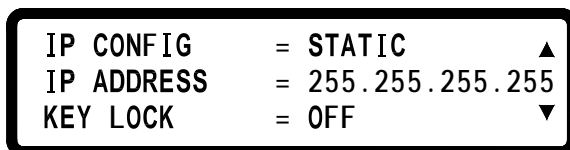
Data bit : 8
Parity check : none
Stop bit : 1

*When entering the Remote mode, screen will present RMT indicator as shown in the following picture.



GPIB ADDRESS: Set up GPIB ADDRESS (1-30)


EXTERN CONTROL: Set up the external control to voltage control (VOLT 0-10 V or 0-5 V), resistance control (RES 0-5K) or off (OFF).

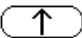
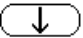


IP CONFIG: **STATIC:** User can input IP address

IP ADDRESS: If IP CONFIG is set to STATIC, users can enter a static IP address here.

Note: If you are not sure of the IP settings, consult your network administrator.

KEY LOCK: While exiting the setting screen after enable KEY LOCK, all keys except the  key are locked. Only this key can disable KEY LOCK.

*Simultaneously pressing both  and  keys in the main screen can also lock keys.

*While entering KEY LOCK state, screen will present LCK indicator in the bottom right corner.

BEEP = ON ▲
LCD BACKLIT = ALWAYS ON
RECALL DEFAULT= NO ▼

- BEEP:** Turns the Buzzer ON/OFF
- LCD BACKLIT:** Set the backlight of the LCD to Always ON or OFF after 1/5/10/30 minutes
- RECALL DEFAULT:** Restores the manufacturer default settings

EXT 5V OUTPUT = OFF ▲
POWER ON STATE = OFF
V= 0.000 V, I= 0.000 A, 0= OFF

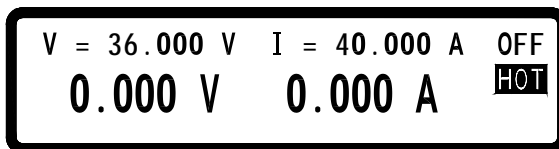
- Ext 5V OUTPUT:** Turns the extra 5V power output (on the rear panel) ON/OFF.
- POWER ON STATE:** Users can set the output state of the supply when powered on. When OFF is selected, the XLN series will do nothing after power on. If LAST is selected, then at power on the supply will use the last setting before it turned off previously. If USER (user defined) is selected, a prompt will ask for setting output voltage, current, and output state. Once set, these values are then used the next time the supply is powered on.

HOT KEY = OFF

- HOT KEY:** Set the HOT KEY function ON/OFF. If the HOT KEY function is ON, user can use 0 – 9 number keys to recall the voltage and current

setting values stored inside internal memory.

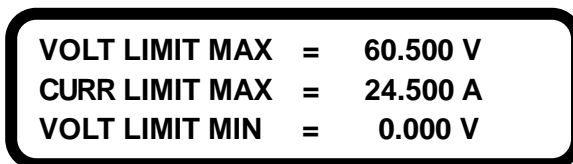
*If entering the HOT KEY mode, screen will indicate HOT symbol as shown in the following illustration.



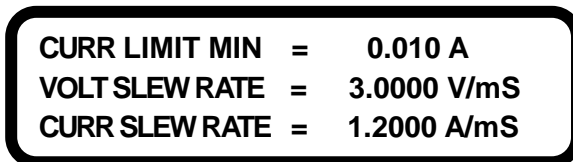
V = 36.000 V I = 40.000 A OFF
0.000 V 0.000 A **HOT**

2. OUTPUT SETTING:

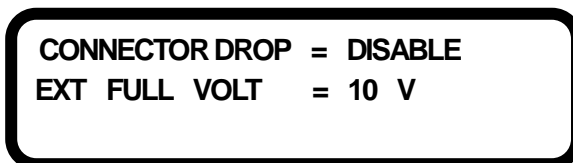
Press **2** in the first page of Menu Setting to enter OUTPUT SETTING menu.



VOLT LIMIT MAX = 60.500 V
CURR LIMIT MAX = 24.500 A
VOLT LIMIT MIN = 0.000 V



CURR LIMIT MIN = 0.010 A
VOLT SLEW RATE = 3.0000 V/mS
CURR SLEW RATE = 1.2000 A/mS



CONNECTOR DROP = DISABLE
EXT FULL VOLT = 10 V

VOLT LIMIT: Upper limit of the output voltage setting
CURR LIMIT: Upper limit of the output current setting
VOLT SLEW RATE: Voltage ascending/descending slope
(XLN3640: 0.01 - 2.4V/ms)
(XLN 6024:0.01 - 3V/ms)
(XLN 8018:0.01 - 3.2V/ms)
(XLN 10014:0.01 - 3.3V/ms)

CURR SLEW RATE: Current ascending/descending slope
 (XLN 3640:0.01 - 2.5A/ms)
 (XLN 6024:0.01 - 1.2A/ms)
 (XLN 8018:0.01 - 0.72A/ms)
 (XLN 10014:0.01 - 0.48A/ms)

CONNECTOR DROP: Turns on/off the connector drop calibration function

EXT FULL VOLT: External voltage control full-scale setting. Select between 10 V or 5 V for full-scale control.

3. PROTECTION SETTING (PROTECTION)

Press **3** key in the first screen of “Menu Setting” to enter PROTECTION menu.

OVP = OFF	SET = 38.000 V
OCP = OFF	SET = 42.000 A
OPP = OFF	SET = 1440.000 W ▼

OVP:turns on/off the overvoltage protection

SET: set up the overvoltage protecting point.

OCP:turns on/off the overcurrent protection

SET: set up the overcurrent protecting point.

OPP:turns on/off the overpower protection

SET: set up the overpower protecting point.

CV TO CC= OFF ▲
CC TO CV= OFF

CV TO CC: Enable/disable the protection of the change

from CV to CC mode
CC TO CV: Enable/disable the protection of the change
from CC to CV mode

4. SERIES/PARALLEL SETTING

Press **4** in the second screen of Menu Setting to enter SERIES/PARALLEL menu.

SELECT MODE = OFF
MASTER/SLAVE = MASTER

SELECT MODE: Choose series or parallel operation mode.

MASTER/SLAVE: Refer to “Series/Parallel Setting” section for the detailed setting procedure of MASTER/SLAVE mode.

5. INFORMATION

Press **5** in the second screen of “Menu Setting” to enter INFORMATION screen.

BK PRECISION XLN3640
PROGRAMMABLE DC POWER SUPPLY
F/W VERSION : 1.13

6. SPECIAL TEST FUNCTION

Press **6** in the second screen of “Menu Setting” to enter SPECIAL TEST FUNCTION menu.

- 1. CURRENT COUNTER TEST**
- 2. PROGRAM MODE**
- 3. MEASURE AVERAGE**

- 6.1 CURRENT COUNTER TEST: Press **1** to enter the CURRENT COUNTER TEST screen.

V= 10.00V I= 1.00A Ib= 0.00A OFF
00 : 00 : 000.0 ms

Refer to “Current Counting” section for the detailed setting procedure.

- 6.2 PROGRAM MODE: Press **2** to enter the PROGRAM MODE menu.

PROGRAM NUMBER = 1
PROGRAM OFF

Before running the program, user needs to input the programmed values through the USB or GPIB interface into the power supplies. Users may save up to 10 programs (program number 1 through 10) inside the memory and recall them in this Program Mode screen by selecting the program number and then pressing **On/Off** to execute the program.

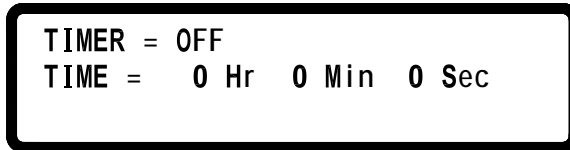
- 6.3 MEASURE AVERAGE: Press **3** to enter the MEASURE AVERAGE page.

AVERAGE TIME = 2

AVERAGE TIME: Set the average measure time.

7. TIMER CONTROL

Press **7** in the third page of Menu Setting to enter TIMER CONTROL screen.



TIMER = OFF
TIME = 0 Hr 0 Min 0 Sec

TIMER: Turn on/off TIMER function.

TIME: Set up OUTPUT ON time (Max:999Hr 59Min 59Sec)

8. CALIBRATION

Press **8** in the third page of “Menu Setting” to enter CALIBRATION menu. Users must enter the password to access calibration mode.



PLEASE KEYIN PASSWORD: _

8.1 Equipment Requirements

1. 5 ½ Digital Volt meter.
2. Shunt for current calibration (100 A/ 10 mΩ)

8.2 Calibration Procedure

VOLTAGE CALIBRATION

- A. Connect power supply output terminal to DVM (as shown in Figure 1 below). Turn on the supply. Once the unit enters the main page, press **MENU** and select “8. Calibration” and key in password “13579” to enter the following calibration menu screen:

Voltage Calibration

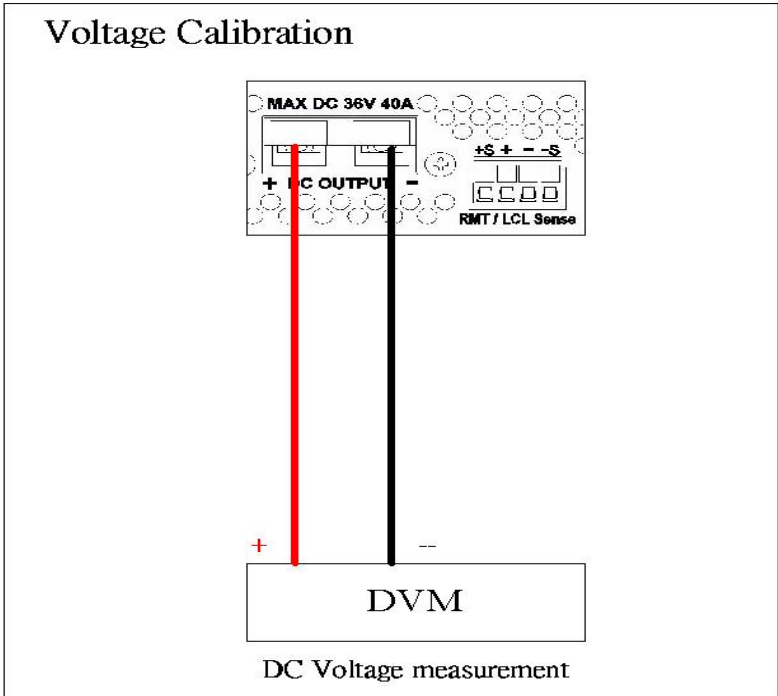


Figure 1

- 1. VOLTAGE CALIBRATION
- 2. OVP CALIBRATION
- 3. CURRENT CALIBRATION

B. Press "1" to access Voltage Calibration Procedure.

C.

```
CALIB VOLT Lo = 1.8640 V
CALIB VOLT MIDL= 12.5540 V
CALIB VOLT MIDH= 25.1140 V
```

CALIB VOLT Hi = 35.7800 V

- D. According to voltage value displayed on DVM, fill in the values for their corresponding functions and press **ENTER**. If any DVM read-back value at each voltage function does not fit with the following table below, please inspect the hardware.

XLN3640

Function	Setting Value	Range of Read-Back Value
Lo	1.8V	1.5 - 2.0 V
MIDL	12V	10 - 13 V
MIDH	24V	21 - 25 V
Hi	32.4V	31 - 34 V

XLN6024

Function	Setting Value	Range of Read-Back Value
Lo	3V	2.4 - 3.6 V
MIDL	20V	18 - 22 V
MIDH	40V	36 - 44 V
Hi	57V	53 - 61 V

XLN8018

Function	Setting Value	Range of Read-Back Value
Lo	4V	3.6 - 4.4 V
MIDL	26V	23.5 - 28.5 V

MIDH	53V	48 - 58 V
Hi	76V	69 - 83 V

XLN10014

Function	Setting Value	Range of Read-Back Value
Lo	5V	4.5 - 5.5 V
MIDL	33V	29.7 - 36.3 V
MIDH	66V	59 - 72 V
Hi	95V	85 - 104 V

- E. When pressing **ENTER** at Hi function, and the calibration data values will be stored in FLASH and unit will return to calibration main screen.

OVP CALIBRATION

- A. Press **2** in the calibration main page to enter OVP calibration page.

CALIB OVP Lo = ▶ Start
CALIB OVP Hi =

- B. Press **ENTER** to access OVP calibration procedure at Low function.

CALIB OVP Lo = ▶ Calibrating...
CALIB OVP Hi =

- C. Jump to Hi function when completed.

CALIB OVP Lo = ▶ OK
CALIB OVP Hi = ▶ Start

- D. Press **ENTER** to access OVP calibration procedure at High function.
E.

CALIB OVP Lo = ▶ OK
CALIB OVP Hi = ▶ Calibrating...

- F. After completing the above steps, calibration value will be stored in FLASH and unit will return to the calibration main screen.
G. If calibration is not completed in 10 seconds after starting, please inspect OVP circuit.

CURRENT CALIBRATION

- A. Connect two output terminals of the power supply to two ends of the current shunt, and connect DVM to the sensor of current shunt to measure DC voltage as shown Figure 2. Press **3** to enter current calibration screen.
B. First, input parameter (resistance of current shunt, mΩ) of current

measurement fixture. According to voltage value shown on DVM, fill in that value that corresponds to the function and press **ENTER** key.

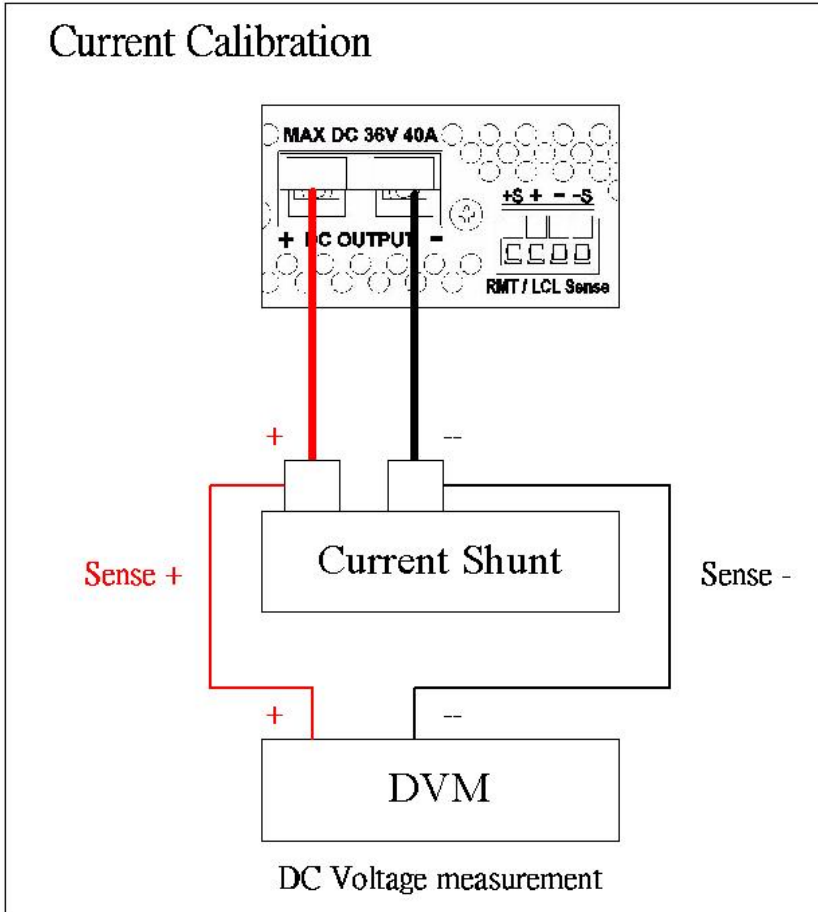


Figure 2

FIX. PARAMETER = 10.000
CALIB CURR Lo = 1.000 mV
CALIB CURR MIDL= 130.000 mV

CALIB CURR MIDH = 258.246 mV
CALIB CURR Hi = 377.559 mV

C. Please inspect the hardware if the current value is inconsistent with the value in the tolerance error table below after the calibration values of each function is changed to actual current value.

XLN3640

Function	Setting	Range of	Transformation Value
Lo	0.1A		0 - 0.5 A
MIDL	13A		11 - 14 A
MIDH	26A		23 - 27 A
Hi	38A		34 - 39 A

XLN6024

Function	Setting	Range of	Transformation Value
Lo	0.06A		0 - 0.5 A
MIDL	7.8A		6.6 - 9 A
MIDH	15.6A		14 - 17.2 A
Hi	22.8A		21 - 24.6 A

XLN8018

Function	Setting	Range of	Transformation Value
Lo	0.045A		0 - 0.1 A
MIDL	5.9A		5.3 - 6.5 A
MIDH	12A		10.8 - 13.2 A
Hi	17A		15.3 - 18.7 A

XLN10014

Function	Setting	Range of	Transformation Value
Lo	0.03625A		0 - 0.1 A
MIDL	4.7A		4.2 - 5.2 A
MIDH	9.5A		8.55 - 10.45 A
Hi	13.7A		12.33 - 15.07 A

- D. The calibration value will be stored in FLASH after pressing ENTER at Hi function.

9. Series Connection Control Setting (CHAIN)

Press in Menu setting page to enter CHAIN SETTING page.

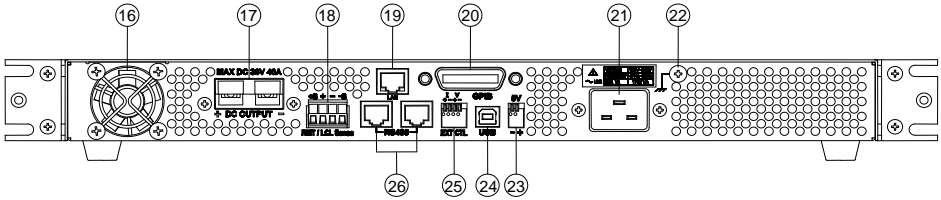
CHAIN ON/OFF = OFF
CHAIN ADDRESS = 1

CHAIN ON/OFF : On/Off Series Connection Mode

CHAIN ADDRESS : Setting Address (1 – 30)

For the detailed setting information, please refer to “SERIES CONNECTION FUNCTION” section.

3.1.2 Rear Panel



Cooling fans:

The supply automatically adjusts fan's rpm according to the load condition.

(16) Cooling fan:

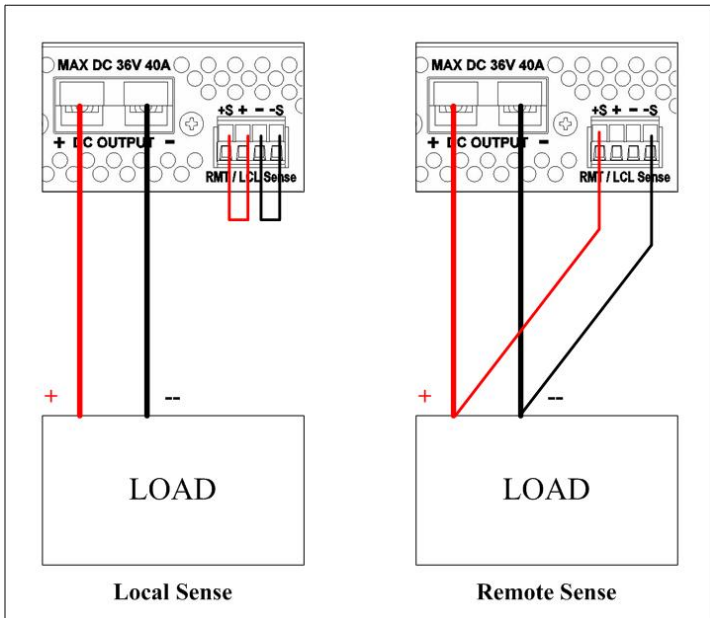
The rear cooling fan speed is temperature control.

(17) Power output terminal:

Please pay attention to the correct polarities when making connection.

(18) RMT/LCL Sense:

When Remote sense is selected, the wire connection can be setup as follows (shown in the figure below): positive sense (+S) and positive lead (+) of the DC output are connected to the positive end (+) of the device, whereas negative sense (-S) and negative lead (-) of the DC output are connected to the negative end (-) of the device under test. This connection will compensate the voltage dropped due to current flow through long power wires (the maximum compensation voltage is 2 V).



When Local sense is selected, the wire connection can be setup as follows (shown in the figure above): positive sense (+S) is connected to the positive lead (+) and negative sense (-S) is connected to the negative lead (-), whereas the positive lead (+) of the DC output is connected to the positive end (+) of the device and the negative lead (-) of the DC output is connected to the negative end (-) of the device under test. When this sensing mode is selected, the power wires from the DC output leads to the device under test should be as short as possible.

(19) LAN (optional):

The ETHERNET interface connector

(20) GPIB (optional):

The GPIB interface connector

(21) AC power input:

The power receptacle is for a power source within 100 VAC - 240 VAC.

(22) Earth connection:

Used for earth ground connection.

(23) 5V/1A Output:

XLN series offers an extra output with a constant output voltage of 5 V and the maximum output current of 1 A. This extra power supply can be switched on or off under the “System Setting” menu.

(24) USB :

USB interface connector.

(25) EXT CTL:

Models XLN3640/XLN6024/XLN8018/XLN10014 offer the capability of setting the output voltage/current by adjusting an external input voltage/resistance. The range of the external input voltage is 0 - 10 VDC or 0 - 5 VDC, which corresponds to the output voltage of 0 - 36 V for XLN3640, 0 - 60 V for XLN6024, 0 - 80 V for XLN8018, and 0 - 100 V for XLN10014 and corresponding to the output current of 0 - 40 A for XLN3640, 0 - 24 A for XLN6024, 0 - 18 A for XLN8018, and 0 - 14.4 A for XLN10014. The range of the external resistance is 0 - 5 K ohm which corresponds to the output voltage of 0 - 36 V for XLN3640, 0 - 60V for XLN6024, 0 - 80 V for XLN8018, and 0 - 100 V for XLN10014 and corresponding to the output current of 0 - 40 A for XLN3640, 0 - 24 A for XLN6024, 0 - 18 A for XLN8018, and 0 - 14.4 A for XLN10014.

(26) RS485:

While in series or parallel connection or multi-unit series connection (CHAIN), RS485 interface can be used for communication and synchronization between master and slave.

(27) Protection cover of the RMT/LCL Sense connector (XLN6024/XLN8018/XLN10014):

<p>WARNING:</p> <p>When the RMT/LCL Sense is not activated and/or not used, the protection cover must be covered. To prevent electric shock, do not dissemble this protective cover.</p>
--

(28) Protection cover of the output leads (XLN6024/XLN8018/XLN10014):

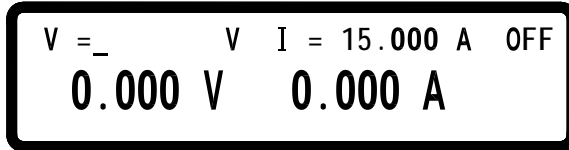
WARNING:

This PRODUCT is designed meeting safety code and has passed the related qualification test. In case no output cable is connected, close the protection cover and fasten the screws in so as to protect user from electric shock or other hazards.

4. Operation Instructions

4.1 Voltage Setting

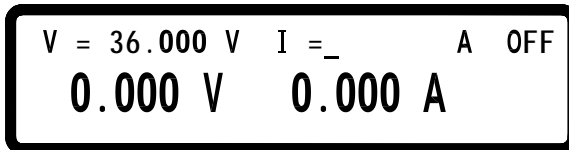
Press **Vset** and set the output voltage by pressing the numerical keys directly, and then press **Enter** to confirm the setting.



V = _ V I = 15.000 A OFF
0.000 V 0.000 A

4.2 Current Setting

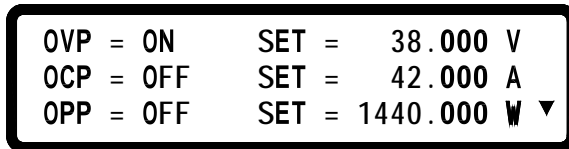
Press **Iset** and set the output current by pressing the numerical keys directly and then press **Enter** to confirm the setting.



V = 36.000 V I = _ A OFF
0.000 V 0.000 A

4.3 Over-voltage Protection OVP

Press **Menu** to enter the Configuration menu and press **3** to enter the PROTECTION setting menu. Then, using the knob set OVP to ON and press **Enter** to confirm it. Now the cursor will move to the value setting for the OVP on the right hand side. Enter the OVP value here by pressing the numerical keys.

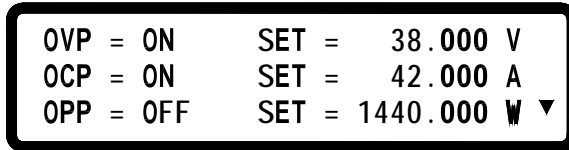


OVP = ON SET = 38.000 V
OCP = OFF SET = 42.000 A
OPP = OFF SET = 1440.000 W ▼

4.4 Over-current Protection OCP

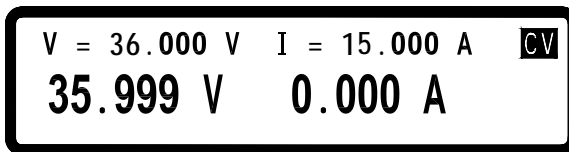
Press **Menu** to enter the “Configuration” menu and press **3** to enter the PROTECTION setting screen. Then, use the knob to set OCP to ON and press

Enter to confirm it. Now the cursor will move to the value setting for the OCP on the right hand side. Enter the OCP value by pressing the numerical keys.



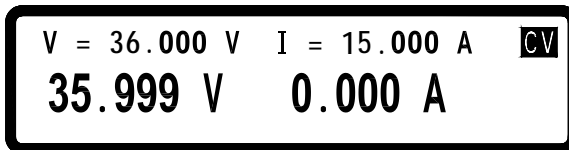
4.5 Voltage Output

After the voltage, current and protection settings are entered, press **On/Off** to output voltage. User will be able to recognize the setting values and the actual output values from the LCD.



4.6 Control Voltage Output with Rotary knob

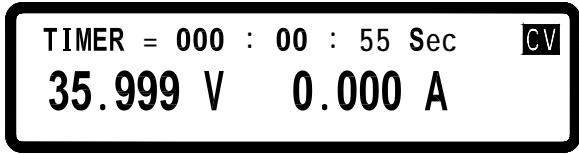
When the output is ON, user may still increase or decrease the output voltage by turning the rotary knob. The procedure is: press **Enter** and cursor appears in response; press **↑** or **↓** to move the cursor to the digit you want to change and turn the knob to increase or decrease the output voltage value at the cursor. The changes of the voltage setting and the output voltage can be observed.



4.7 Timer Function

When the “Timer Setting” function is ON, it will activate the timer. After timer setting is made, return to the main screen. After setting up the output current & voltage and press **On/Off** to output, the screen will show the

countdown of the timer. Once it reaches down to zero, the supply will turn off the output automatically.

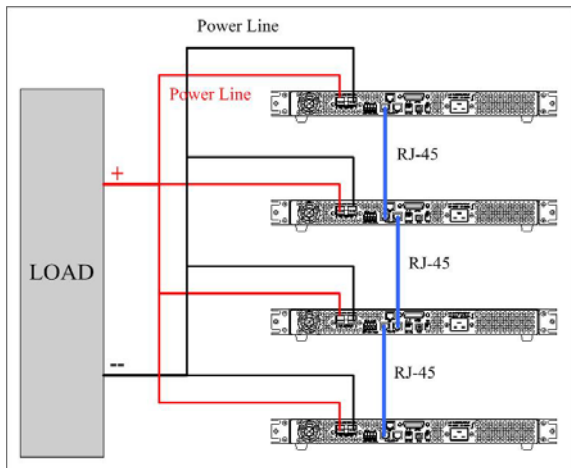


4.8 Series (cascade) / Parallel Mode Setting

The XLN3640/XLN6024/XLN8018/XLN10014 uses the series/parallel mode (4 supplies maximum) to increase the output power capability. By connecting 4 instruments in parallel, the combined unit can offer 36 V/160 A power output. By connecting 4 XLN10014 units in series, the combined supply can output 400 V/14.4 A. Note that you cannot perform both parallel and series mode at the same time. Series connection will be off once series (cascade) / parallel connection function is turned on.

4.8.1 Parallel Connection Setting

While connecting four sets of XLN3640/XLN6024/XLN8018/XLN10014 in parallel, the wiring should be setup like the following:



After wiring is complete, configure one XLN3640 / XLN6024 / XLN8018 / XLN10014 as the Master and the other three are Slave A, B and C. After one of the supplies is configured to be the Master, it will start searching for all Slaves

that are connected to the Master. Therefore, in order to correctly configure the correctly, user must set up the Slaves before the Master is set.

To set a XLN3640/XLN6024/XLN8018/XLN10014 to slave mode, press **Menu**, **↓**, and **4** in the main screen to enter the series/parallel setting option. And then select the parallel mode by turning the knob (SCPI command is “PS:MODE PARALLEL”) and then press **Enter** to confirm. It will continue to the next line for the MASTER/SLAVE selection. Turning the knob to select SLAVE A (SCPI command is “PS:TYPE SLAVEA”) for the supply and press **Enter** to confirm the setting. Using the same procedure, setup SLAVE B and C for another two (2) supplies as shown below.

```
SELECT MODE = PARALLEL
MASTER/SLAVE = SLAVE A
```

To set the master unit, press **Menu**, **↓**, and **4** in the main screen to enter the series/parallel setting option. And then use the knob to select the parallel mode (SCPI command is “PS:MODE PARALLEL”) and press **Enter** to confirm. It will continue to the next line for the MASTER/SLAVE selection. Use knob again to select MASTER (SCPI command is “PS:TYPE MASTER”) and then press **Enter** to confirm. After it is confirmed as the Master the XLN3640/XLN6024/XLN8018/XLN10014 will start searching for all Slaves, as shown below:

```
SELECT MODE = PARALLEL
MASTER/SLAVE = MASTER
CHECKING FOR SLAVE...
```

If wiring is correct, screen will appear as:

```
SELECT MODE = PARALLEL
MASTER/SLAVE = MASTER
FOUND SLAVE : A B C
```

After receiving the control command from the Master, all Slaves will be locked on to the SLAVE screen. At this point all keys except (•) are locked so that slaves cannot be operated by front keys except controlled by the Master as shown below:

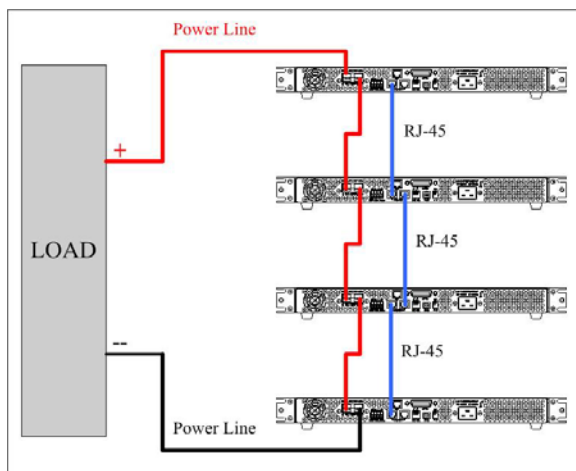


Once the Master and Slave settings are done, users can then operate the Master only to set up the combined output voltage and current of the complete system.

To release from this operation mode (parallel operation mode in this example), press (•) (LCL) to access to the series/parallel setting screen and turn the knob to select OFF for series/parallel selection to disable the series or parallel operation mode and return to the local operation mode so that the XLN3640/XLN6024/XLN8018/XLN10014 can be controlled by press the front keys again. Do not change the operation mode while XLN3640/XLN6024/XLN8018/XLN10014 is in their output states or there will be a Master's communication failure and an error message will be displayed. After power-off, if you want to keep the previous series/parallel setting, please turn on the Slave first. Then turn on the Master.

4.8.2 Series Mode Setting

While connecting four sets of XLN3640/XLN6024/XLN8018/XLN10014 in series, the wiring setup should be configured as shown:



After wiring is complete, configure one supply as the Master and the other three as the Slave A, B, and C. After the power supply is configured as Master, it will start searching for all Slaves that are connected to the Master. Therefore, in order to setup correctly, user must set up the Slaves before the Master is set. To set a XLN3640/XLN6024/XLN8018/XLN10014 to the slave mode, press **(Menu)**, **(↓)**, and **(4)** in the main screen to enter the series/parallel setting option. Then select the SERIES mode by turning the knob (SCPI command is “PS:MODE SERIES”) and then press **(Enter)** to confirm. It will continue to the next line for the MASTER/SLAVE selection. Turn the knob to select SLAVE A (SCPI command is “PS:TYPE SLAVEA”) for the instrument and press **(Enter)** to confirm the setting. Using the same procedure to set up SLAVE B and C for the other two supplies.

SELECT MODE = SERIES
MASTER/SLAVE = SLAVE A


To set the master unit, press **(Menu)**, **(↓)**, and **(4)** in the main screen to enter the series/parallel setting option. Then use the knob to select the series mode (SCPI command is “PS:MODE SERIES”) and press **(Enter)** to confirm. It will continue to the next line for the MASTER/SLAVE selection. Use knob again to select MASTER (SCPI command is “PS:TYPE MASTER”) and then press **(Enter)** to confirm. After confirming the supply as the Master, it will

start searching for all Slaves, as shown below.

**SELECT MODE = SERIES
MASTER/SLAVE = MASTER
CHECKING FOR SLAVE...**


If wiring is correct, this screen will appear:

**SELECT MODE = SERIES
MASTER/SLAVE = MASTER
FOUND SLAVE : A B C**

After receiving the control command from the Master, all Slaves will be locked on the SLAVE screen and all keys except  are disabled so that slaves cannot be operated by pressing front keys. This ensures the Master supply be in control.

**MODE : SERIES ERR : NONE
SLAVE A**

Once the Master and Slave settings are done, users can then operate the Master only to set up the output voltage and current.

To release from this operation mode (series operation mode in this example), press  (LCL) to access to the series/parallel setting screen and turn the knob to select OFF for series/parallel selection to leave the series or parallel operation mode and return to the local operation mode so that the power supply can be controlled by pressing the front keys again. Do not change the operation mode while the instruments are in their output state or they will cause the Master's communication to fail and display an error message. After power-off, if you want to keep the previous series/parallel setting, please turn on the Slave first. Then turn on the Master.

4.8.3 Error Message of Series/Parallel Connection

If the RS485 wiring is wrong or the signal is not correct, the Master will display the following message in the screen for searching Slaves:

```
SELECT MODE = PARALLEL
MASTER/SLAVE = MASTER
FOUND SLAVE : NONE
```

If more than one Master is being set in the series/parallel operation mode, the following message will be displayed.

```
SELECT MODE = PARALLEL
MASTER/SLAVE = MASTER
MULTI-MASTER, PLEASE CHECK AGAIN
```

If one of the power supplies is set to different series/ parallel operation mode, the following message will appear on-screen:

```
SELECT MODE = PARALLEL
MASTER/SLAVE = MASTER
ERROR-MODE, PLEASE CHECK AGAIN
```

After finishing setting procedure, if the Master cannot have a communication with one of the three Slaves, the Master will present the following error message (Slave A in this example).

```
SLAVE A
COMMUNICATION ERROR!!!
```

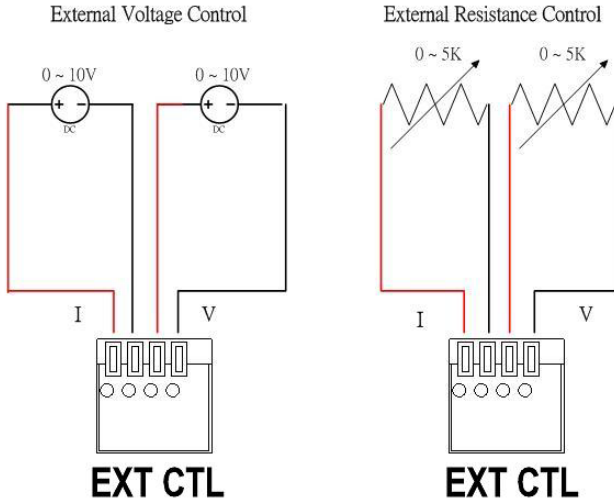
After finishing the setting procedure, if a Slave receives only the output command sent by the Master but does not receive the synchronization signal, it will present the following error messages. The error message “SYNC ON” is shown when the slave is not receiving the synchronous output ON signal. The

error message “SYNC OFF” is shown when the slave is not receiving the synchronous output OFF signal.

MODE : PARALLEL ERR : SYNC ON
SLAVE A

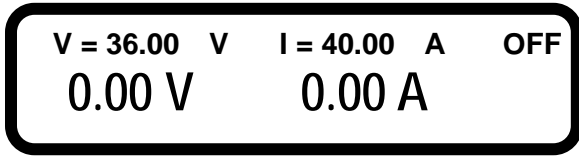
4.9 External Tuning Setting

Models XLN3640/XLN6024/XLN8018/XLN10014 provides the capability to control the output voltages by an external voltage/resistance. The range of the external voltage is in 0 - 10 VDC or 0 - 5 VDC and the range of the external variable resistance is between 0 - 5 kΩ to control the output voltage (0 - 36 V for XLN3640, 0 - 60 V for XLN6024, 0 - 80 V for XLN8018, and 0 - 100 V for XLN10014) and the output current (0 - 40 A for XLN3640, 0 - 24 A for XLN6024, 0 - 18 A for XLN8018, and 0 - 14.4 A for XLN10014). The wirings of the external control are shown in the following figure.



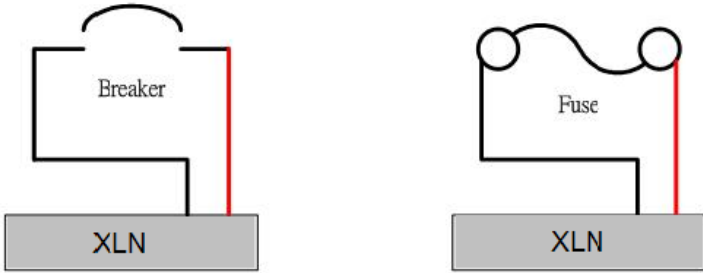
The external voltage control or external resistance control can be set in the “system setting” screen. Since the external control circuit uses a 12bit D/A converter for 0 - 36 V for XLN3640 (or 0 - 60 V for XLN6024 or 0 - 80 V for XLN8018 or 0 - 100 V for XLN10014) output voltage and 0 - 40A for

XLN3640 (or 0 - 24 A for XLN6024 or 0 - 18 A for XLN8018 or 0 - 14.4 A for XLN10014) output current, the resolution of voltage and current will be different in response. The screen will show similar to the following (accuracy is 10mV):

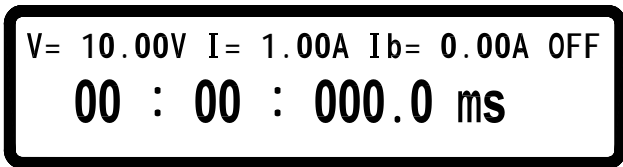


4.10 Timer of Current Flow

This function offers testing of the cutoff time of a breaker or a fuse. First, connect the test object to output terminal as shown below.



Press **Menu**, **6**, and then **1** in the main screen to enter the current flow counter screen.

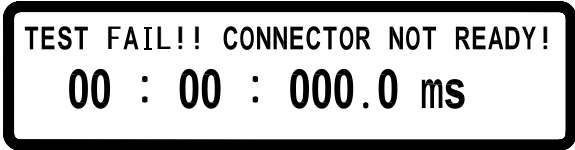


Press **VSET** to set the voltage. Then press **ISET** to set the current (I), which is the maximum current you want to test. Press **ISET** twice to set the breaker/fuse current (Ib). After setting up the output voltage/current and pressing **On/Off** to turn on the output, the system will start counting down the timer until the breaker or fuse is open. The count starts from when output has reached the Ib current. The resolution of the timer is 100us (0.1 ms) and the maximum counting period is one hour. If the counter doesn't work after

pressing **On/Off**, error occurs herein and the screen will display an error message after two seconds. One of the following three scenarios may happen:

A. Connector not ready

If a fuse is not properly connected to the output connector or a breaker under test has not been switched to ON position, the screen will show an error message as shown below.



B. Current setting too large

The output current is set too big that a breaker is open or a fuse is burnt to open before output current is reaching the setting value. The screen will show an error message as shown below.



C. Voltage setting too small

The voltage is set too small, therefore the output current is unable to reach the setting value. The screen will show an error message as shown below.



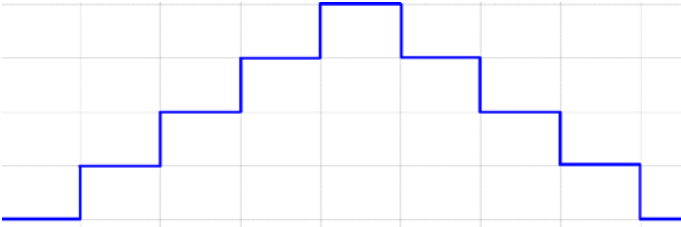
4.11 Programmable Capability (SCPI Command Only)

Models XLN3640/XLN6024/XLN8018/XLN10014 provides the capability to support list mode, which allows users to download a small program to internal memory and execute a program from there. There are memory spaces to store

10 programs that can have 150 steps in total for setting purpose. This can only be programmed remotely via USB, GPIB, or LAN with SCPI commands or with the included software. Each program does not restrict the step quantity, however, the sum of 10 programs are restricted to 150 steps. For each program users can set up how many times to repeat the program. For each step users may be able to set up the output voltage, current, and period of time (50 ms minimum) to stay on the step. Please refer to “SCPI command subsystem” section for detail SCPI commands.

Below are some examples of commands used to setup a custom program in list mode.

Example 1:

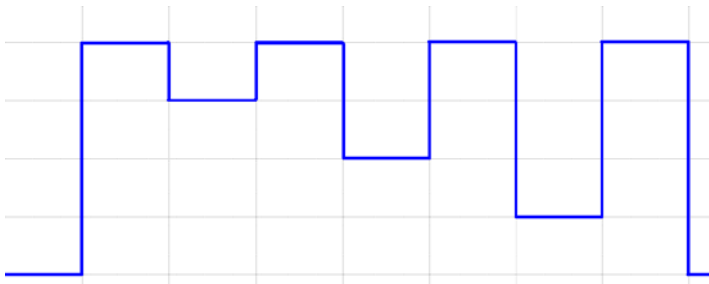


To output the wave form shown above, users may edit the program as the following orders:

PROG 1	Choose program number
PROG:CLE	Clear program 1 data
PROG:REP 0	No repeat (repeat one time for “1”)
PROG:TOTA 8	Set program 1 to have 8 steps in total
PROG:STEP 1	Following 3 settings are for step 1
PROG:STEP:CURR 1	Set output current to 1 ampere
PROG:STEP:VOLT 5	Output voltage is set to 5 volts
PROG:STEP:ONT 0.1	Output ON time is set to 0.1 sec
PROG:STEP 2	Following 3 settings are for step 2
PROG:STEP:CURR 1	
PROG:STEP:VOLT 10	

PROG:STEP:ONT 0.1	
PROG:STEP 3	Choose step 3
PROG:STEP:CURR 1	
PROG:STEP:VOLT 15	
PROG:STEP:ONT 0.1	
PROG:STEP 4	Choose step 4
PROG:STEP:CURR 1	
PROG:STEP:VOLT 20	
PROG:STEP:ONT 0.1	
PROG:STEP 5	Choose step 5
PROG:STEP:CURR 1	
PROG:STEP:VOLT 15	
PROG:STEP:ONT 0.1	
PROG:STEP 6	Choose step 6
PROG:STEP:CURR 1	
PROG:STEP:VOLT 10	
PROG:STEP:ONT 0.1	
PROG:STEP 7	Choose step 7
PROG:STEP:CURR 1	
PROG:STEP:VOLT 5	
PROG:STEP:ONT 0.1	
PROG:STEP 8	Choose step 8
PROG:STEP:CURR 1	
PROG:STEP:VOLT 0	
PROG:STEP:ONT 0.1	
PROG:NEXT 0	Select next program to run after program 1 is complete, 0 means stop
PROG:SAV	After edit, use Save command to store program 1 in the hardware
PROG 1 PROG:RUN ON	To run the program stored in the hardware, select program number and then use RUN ON command to execute the program.

Example 2:

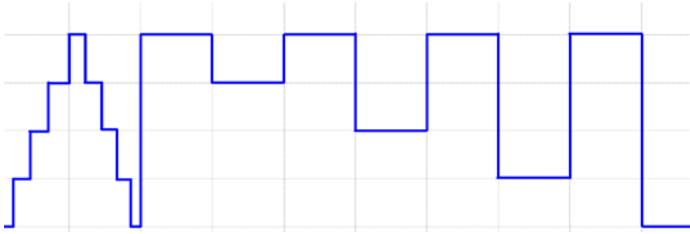


To output the wave form shown above, the following example program can be used.

PROG 2	Choose program number
PROG:CLE	Clear program 2 data
PROG:REP 0	No repeat after running this program
PROG:TOTA 8	Set program 2 to have 8 steps in total
PROG:STEP 1	Settings for step 1
PROG:STEP:CURR 2	Set output current to 2 amperes
PROG:STEP:VOLT 20	Set output voltage to 20 volts
PROG:STEP:ONT 0.5	Set output ON time to 0.5 sec
PROG:STEP 2	Choose step 2
PROG:STEP:CURR 2	
PROG:STEP:VOLT 15	
PROG:STEP:ONT 0.5	
PROG:STEP 3	Settings for step 3
PROG:STEP:CURR 2	
PROG:STEP:VOLT 20	
PROG:STEP:ONT 0.5	
PROG:STEP 4	Choose step 4
PROG:STEP:CURR 2	
PROG:STEP:VOLT 10	
PROG:STEP:ONT 0.5	
PROG:STEP 5	Choose step 5
PROG:STEP:CURR 1	
PROG:STEP:VOLT 20	
PROG:STEP:ONT 0.5	
PROG:STEP 6	Choose step 6

PROG:STEP:CURR 2	
PROG:STEP:VOLT 5	
PROG:STEP:ONT 0.5	
PROG:STEP 7	Choose step 7
PROG:STEP:CURR 2	
PROG:STEP:VOLT 20	
PROG:STEP:ONT 0.5	
PROG:STEP 8	Choose step 8
PROG:STEP:CURR 2	
PROG:STEP:VOLT 0	
PROG:STEP:ONT 0.5	
PROG:NEXT 0	Select next program to run after program 2 is complete, 0 means stop
PROG:SAV	After edit, use Save command to store program 2 in the hardware
PROG 2 PROG:RUN ON	To run the program stored in the hardware, select program number and then use RUN ON command to execute the program.

Example 3:

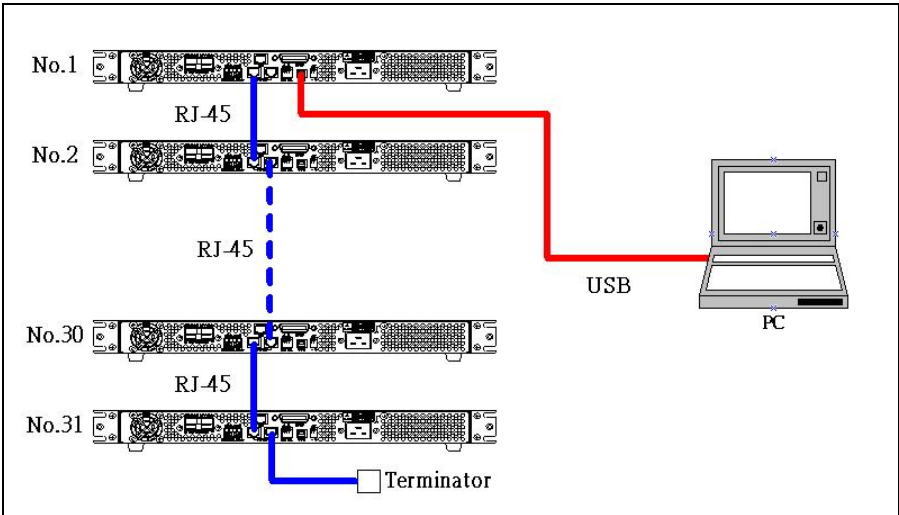


If it needs to execute Program 2 right after Program 1 is executed then program 1 shall be modified to have NEXT 2 command. The following steps can be taken for the modification and execute the programs.

PROG 1	Select program 1
PROG:NEXT 2	Change the NEXT command from NEXT 0 to NEXT 2
PROG:SAV	After edit is complete use Save command to store changes in the hardware
PROG 1 PROG:RUN ON	To run the program, select the program number first and then use RUN ON command to execute it.

4.12 Multi-unit Connection mode (RS485)

XLN3640 / XLN6024 / XLN8018 / XLN10014 can use RS485 to provide multi-units series connection function for up to 30 units (If more than 10 units, please add a 120Ω resistor terminator in the last unit as shown in the below figure. Turn on the system after series connection is completed. Press **Menu** → **9** on the main page and set CHAIN ON/OFF to ON (Series/Parallel connection will be cancelled) and set each unit with a different Address (1 - 30). Then by using USB connected to PC, multiple units can be controlled by using the commands in “SERIES CONNECTION COMMAND LIST” section below.



SERIES CONNECTION COMMAND LIST

The series connection command used by all XLN series power supplies use a carriage return (CR) character for termination of all ASCII strings. For example, the system will respond with the corresponding value or string when delivering the inquire command, or respond “OK” when delivering the setting command. In case any errors happen, the system will respond with an error message. (Please refer to ERROR RESPONSE LIST section).

SYSTEM CONTROL COMMAND:

Command	Description
CADR	followed by address, which can be 1 to 30 and is used to access the power supply
CCLS	Clear status
CRST	Reset command. Brings the power supply to a known state
CIDN?	Returns the power supply model identification
CREV?	Returns the firmware version
CSN?	Returns the serial number
CST?	Returns the device status
CCLR?	Clear protect

OUTPUT CONTROL COMMAND:

Command	Description
CPV	Sets the output voltage value in Volts
CPV?	Reads the output voltage setting
CMV?	Reads the actual output voltage
CPC	Sets the output current value in Amperes
CPC?	Reads the output current setting
CMC	Reads the actual output current
CDVC?	Display voltage and current data
COUT	Turns the output to ON or OFF
COUT?	Returns the output On/Off status
COV	Sets the OVP level
COV?	Returns the OVP setting level
COVP	Sets the OVP on/off
COVP?	Returns the OVP on/off
COC	Sets the OCP level

COC?	Returns the OCP setting level
COCP	Sets the OCP on/off
COCP?	Returns the OCP on/off
COP	Sets the OPP level
COP?	Returns the OPP setting level
COPP	Sets the OPP on/off
COPP?	Returns the OPP on/off
CMODE?	Returns the power supply operation mode

=====

SYNCHRONOUS CONTROL COMMAND:

Command	Description
GRST	Reset command. Brings the power supply to a known state
GCLS	Clear status
GCLR	Clear protect
GPV	Sets the output voltage value in Volts
GPC	Sets the output current value in Amperes
GOUT	Turns the output to ON or OFF
GOV	Sets the OVP level
GOVP	Sets the OVP on/off
GOC	Sets the OCP level
GOCP	Sets the OCP on/off
GOP	Sets the OPP level
GOPP	Sets the OPP on/off

=====

EXAMPLES:

Q1. How to read back ID for Address 5 on the system?

- CADR 5 → OK
- CIDN? → B&K Precision. XLN 3640,A1234567,1.15,0

Q2. How to set up Voltage for Address 7 on the system?

CADR 7 → OK
CPV 20 → OK

Q3. How to set up Output for Address 7 on the system?

CADR 3 → OK
COUT 1 → OK

Q4. How to read back Voltage value for Address 1 on the system?

CADR 1 → OK
CMV? → 10.001

Q5. How to set up Current for all the systems?

GPC 5 → No response

Q6. How to set up Output for all the systems?

GOUT 1 → No response

ERROR RESPONSE LIST

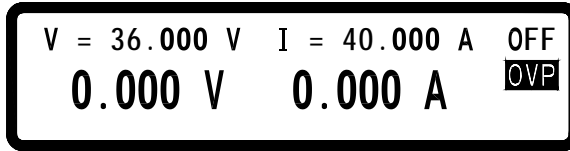
If PC delivers an error command or connection fails, a return string will be sent and is described below:

String	Description
=====	=====
OK	No error
Time out	Wait response time out
Range error	Input value is out of range
Multi master	There are more than one controller in the whole system

5. Protection and Error Messages

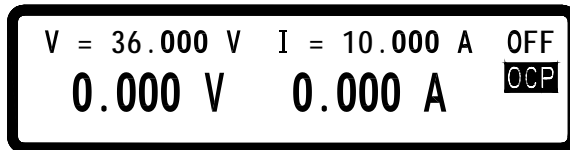
5.1 Over-voltage Protection (OVP)

When the OVP is activated and voltage measured exceeds the setting point of protected voltage, the system will enter the “Over Voltage Protect” mode that will shut off the output and show OVP on the display. Press **Enter** to reset the protection mode and deactivate the buzzer.



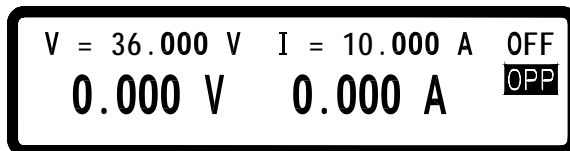
5.2 Over-current Protection (OCP)

When the OCP is activated and current measured exceeds the setting point of protected current, system will enter the “Over Current Protect” mode that will shut off the output and show OCP on the display. Press **Enter** to reset the protection mode and deactivate buzzer.



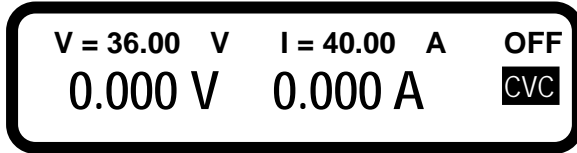
5.3 Overpower Protection (OPP)

When the OPP is activated and power measured exceeds the setting point of protected power, system will enter the “Over Power Protect” mode that will shut off the output and display OPP on the screen. Press **Enter** to reset the protection mode and deactivate buzzer.



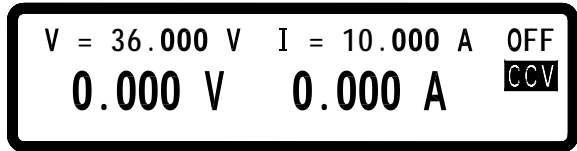
5.4 Constant Voltage Protection (CV TO CC)

When this function is activated, the power supply will stay in CV mode. If load changes force the system to transition from CV to CC (constant current) mode, the system will enter the “CV TO CC Protect” state that will shut off the output and display the CVC message on the screen. Press **Enter** to reset the protection and deactivate the buzzer.



5.5 Constant Current Protection (CC TO CV)

When this function is activated the power supply will stay in CC mode. If load changes forces the transition from CC to CV (constant voltage) mode, the system will enter the “CC TO CV Protect” state that will shut off output and display CCV message on the screen. Press **Enter** to reset the protection and deactivate buzzer.



5.6 Over-temperature Protection (OTP)

When the instrument detects abnormally high temperature, the system will enter the “Over Temperature Protect” mode that will shut off the output and display the error message as shown in the following figure. Press **Enter** to reset the protection and deactivate buzzer.



5.7 Low Voltage Protection (ACD)


When the machine has detected abnormally low AC power input, system will enter the “AC Detect Low Protect” mode that will shut off output and display the error message shown in the following figure. Press **Enter** to reset the protection and deactivate buzzer.



AC DETECT LOW !!!!
LINE VOLTAGE IS UNDER SPEC.
OR POWER SHUTDOWN.

5.8 Error Input Message

When users enter a voltage or current setting that is beyond the acceptable range, system will display “RANGE ERROR” in response and show users the correct input range. Press **Enter** to re-enter the voltage/current setting.



RANGE ERROR !!!!
MIN RANGE : 0.000
MAX RANGE : 36.000

6. Remote Interface communication protocol

The communication protocol includes standard SCPI commands and a few proprietary commands which follow the SCPI convention.

6.1 Prefaces

The SCPI interface enables users to operate the model XLN3640/XLN6024/XLN8018/XLN10014 supply through a computer or a terminal equipped with IEEE-488.2 GPIB or USB interface. Additionally, it allows remote control and monitoring.

SCPI IEEE-488.2 version supports multi units control capability that allows a user to control up to 32 XLN3640/XLN6024/XLN8018/XLN10014 units.

6.2 Parameters Definition

Type	Valid Arguments
<boolean >	" ON" or 1, " OFF" or 0
<NR1 >	The data format <NR1> is defined in IEEE-488.2 for integers. Zero, positive and negative integer numeric values are valid data.
<NRf >	The data format <NRf> is defined in IEEE-488.2 for flexible Numeric Representation. Zero, positive and negative floating-point numeric values are some examples of valid data.
<string >	Characters enclosed by single or double quotes
<LF >	Line Feed, Hex code is 0x0Ah
<CR>	Carriage Return, Hex code is 0x0Dh
<END >	End or identify

Note: All commands are terminated with <CR> and <LF> characters. A space is always included in between the command and the parameter. For example, to set the GPIB address of 10 to a XLN3640/XLN6024/XLN8018/XLN10014. The command line is sent:

ADDR 10<CR><LF>

Note: The <LF> and <CR> are not presented in the following examples and command descriptions. However, users must add them as termination

characters at the end of each command when programming.

6.3 The Error/Event List

SCPI interface can offer an error/event list that contains up to 10 errors/events. Users can read the errors/events through the “**error?**” command in a first-in first-out manner. Once an error/event is read, the read process will clear it from the memory. To clear all errors/events from the memory, the “***CLS**” command is used.

Error	Description
-000	No error
-001	Command error
-002	Execution error
-003	Query error
-004	Input Range error
-005	Parallel/Series function, Error mode
-006	Parallel/Series function, Multi-Master
-007	Parallel/Series function, No Slave found
-008	Parallel/Series function, Communication with Slave A error
-009	Parallel/Series function, Communication with Slave B error
-010	Parallel/Series function, Communication with Slave C error
-011	Parallel/Series function, Sync. signal error when output on
-012	Parallel/Series function, Sync. signal error when output off

6.4 Remote Communication Protocol

Command	Description
ADDRess	set the address of the machine
ADDRess?	return the address of the machine
BEEP	set beep on(1) or off(0)
CLR	clear protect status
CURRent	set current
CURRent?	return current setting
ERRor?	return error message
IOUT?	current readback
ISET	set current
ISET?	return current setting
LOCK	set rotary and keypad lock on(1) or off(0)
MODEL?	return model name
OCp	set current protect to off(0) or on(1)
OISet	set overcurrent protect level
OISet?	return overcurrent value
OPp	set power protect to off(0) or on(1)
OPSet	set overpower protect level
OPSet?	Return overpower value
OUT	set output on(1) or off(0)
OVP	set voltage protect to off(0) or on(1)
OVSet	set overvoltage protect level
OVSet?	return overvoltage value
STATUS?	return status of the machine
VERsion?	return version number
VOLTage	set voltage
VOLTage?	return voltage setting
VOUT?	voltage readback
VSet	Set up output voltage
VSet?	return voltage setting

Examples:

Q 1:How to set GPIB address?

ADDR 10 ==>address is 10

Q 2:How to read back GPIB address?

ADDR? ==>return GPIB address

ADDRESS? ==>return GPIB address

Q 3:How to set up buzzer?

BEEP 1 ==>trigger beep to on

BEEP off ==>trigger beep to off

Q 4:How to clear the protecting state?

CLR ==>clear protect status

Q 5:How to read back to error information?

ERR? ==>return error code

Q 6:How to set up voltage?

VSET 10 ==>set voltage to 10V

VOLT 3.3V ==>set voltage to 3.3V

VOLTAGE 45 ==>set voltage to 45V (for XLN6024)

Q 7:How to read the voltage setting value?

VSET? ==>return voltage setting

VOLT? ==>return voltage setting

VOLTAGE? ==>return voltage setting

Q 8:How to set up current?

ISET 1.1 ==>set current to 1.1A

CURR 4.3022 ==>set current to 4.3022A

CURRENT 0.250 ==>set current to 250mA

Q 9:How to read the setting value of current?

ISET? ==>return current setting

CURR? ==>return current setting

CURRENT? ==>return current setting

Q 10:How to read the voltage outputting value?

VOUT? ==>return voltage output

Q 11:How to read the current outputting value?

IOOUT? ==>return current output

Q 12:How to lock buttons and the rotary knob?

LOCK 1 ==>lock the keypad and knob

LOCK ON ==>lock the keypad and knob

Q 13:How to read the product model number?

MODEL? ==>return machine model name

Q 14:How to set up OVP function?

OVP 1 ==>enable OVP protect

OVP OFF ==>disable OVP protect

Q 15:How to set up OVP voltage value?

OVSET 38 ==>set OVP level to 38 V

Q 16:How to set up OCP function?

OCP 1 ==>enable OCP protect

OCP OFF ==>disable OCP protect

Q 17:How to set up OCP electric current value?

OISET 40 ==>set OCP level to 40 A

Q18:How to set up OPP function?

OPP 1 ==>enable OPP protect

OPP OFF ==>disable OPP protect

Q 19:How to set up OPP power value?

OPSET 1000 ==>set OPP level to 1000 W

Q 20:How to set up output?

OUT 1 ==>output on

OUT OFF ==>output off

Q 21:How to read state value?

STATUS? ==>return status value

Q 22:How to read the firmware version?

VER? ==>return version information

VERSION? ==>return version information

6.5 SCPI Conformity Information

The XLN series is entirely compatible with all IEEE-488.2 and SCPI commands (1995). Commands are included in SCPI commands (in Vol. 2, 1995).

6.5.1 Common SCPI commands

Command	Explanation
*CLS	Clear status (include error code)
*IDN?	Response:<Manufacturer>, <model>, <serial number>, <firmware type, & version >
*RCL	Recalls settings from memory. Memory numbers from 0 to 9 are valid.
*RST	Resets the power supply to its power on state.
*SAV	1. Saves defined parameters 2. Saves current settings to memory. Memory numbers from 0 to 9 are valid.

Examples:

Q 23:How to store the voltage/current settings to memory devices?

*SAV 5 ==>save current settings to memory location 5

Q 24:How to recall the voltage/current settings from memory devices?

*RCL 3 ==>recall setting from memory location 3

Q 25:How to set up software reset?

*RST

Q 26:How to identify the instrument's model number?

*IDN?

Q 27:How to clear error message?

*CLS

6.5.2 SCPI Command subsystem

ABORt	Abort the Output Action
FETCh	Fetch Subsystem
:CURRent?	Return the fetched output current
:VOLTage?	Return the fetched output voltage
MEASure	Measure subsystem
:CURRent?	Return the measured output current
:VOLTage?	Return the measured output voltage
MEMory	Memory Subsystem
<NR1 ? >	select or return memory number, range from 0 - 9
:VSET <NRf ? >	set or return voltage:0-36V/0-60V
:ISet <NRf ? >	set or return current:0-40A/0-24A
:SAVE	store memory subsystem parameters
OUTput	Output Subsystem
<Boolean >	enable or disable output action
?	return output state
:LIMit	
:VOLTage <NRf ? >	set or return voltage limit value
:CURRent <NRf ? >	set or return current limit value
:STATe?	Return output mode (CV or CC)
:PROTection	
:CLEar	Reset latched protection
PROgram	Program Subsystem
<NR1 ? >	select or return memory number, range

	from 1 - 10
:CLEar	clear program n parameters
:ALL	clear all program parameters
:NEXT <NR1 ? >	ser or return next program number (1 - 10 , 0 for end)
:REPeat <NR1 ? >	set or return repeat times (max. 50000)
:RUN<Boolean ? >	set or query program on/off state
:SAV	save program parameters
:STEP < Boolean ? >	set or return step number
:CURRent <NRf ? >	set or return step n current setting
:ONTimet <NRf ? >	set or return step n output time (0.050 - 20000S)
:VOLTage <NRf ? >	set or return step n voltage setting
:TOTA[l] <NR1 ? >	set or return program n total step numbers (max. 150)

PROtection

?	return protect state
:CCCV <Boolean ? >	set or return CC to CV protect state
:CLEar	Resets latched protection
:CVCC <Boolean ? >	set or return CV to CC protect state
:OCP <Boolean ? >	set or return over-current protect state
:LEVel <NRf ? >	set or return over-current protect value
:OPP <Boolean ? >	set or return over-power protect state
:LEVel <NRf ? >	set or return over-power protect value
:OVP <Boolean ? >	set or return over-voltage protect state
:LEVel <NRf ? >	set or return over-voltage protect value

Protection Subsystem

PS

Parallel/Series Subsystem

:MODE <OFF/0,PARALLEL/1,SERIES/2|? >
set or return parallel/series mode

:TYPE <MASTER/0,SLAVEA/1,SLAVEB/2,SLAVEC/3|?>
set or return master/slave setting

[SOURCE]

Source Subsystem

:CURRENT <NRf | ? > set or return current level:0-40/0-24A

:PROTECTION <Boolean | ? >
set or return over-current state

:LEVEL <NRf | ? > set or return over-current level

:VOLTAGE <NRf | ? > set or return voltage level:0-36/0-60V

:PROTECTION <Boolean | ? >
set or return over-voltage state

:LEVEL <NRf | ? > set or return over-voltage level

SYSTEM

System Subsystem

:BEEP <Boolean | ? > set or return BEEP state

:E5V <Boolean | ? > enable or disable extra 5V output

:ERROR? return system error

:EXTERNAL<OFF/0,VOLT/1,RES/2 | ? >
set or return external state

:GPIB

:ADDRESS <NR1 | ? > set or return GPIB address (1-30)

:IP

:ADDRESS <NR1.NR1.NR1.NR1 | ? >
set or return IP address

:CONFIG <STATIC/0? >
set or return IP config mode

:KEY

:LOCK <Boolean | ? > set or return key lock state
 :LCD
 :BL <Boolean | ? > set or return LCD backlight state
 :POWER
 :CURRENT <NRf | ? > set or return user define current level
 :STATE <Boolean | ? > set or return user define output state
 :TYPE <OFF/0, LAST/1, USER/2 | ? >
 set or return power up mode
 :VOLTage <NRf | ? > set or return user define voltage level
 :RECall
 :DEFault recall factory default setting
 :REMote <USB/0, GPIB/1, ETHERNET/2 | ? >
 set or return remote interface
 :SERies? Return series number

TIMER

<Boolean > enable or disable timer mode
 ? return timer state
 :HOUR <NR1 | ? > set or return timer hours
 :MINute <NR1 | ? > set or return timer minutes
 :SECond <NR1 | ? > set or return timer seconds

Timer Subsystem

Examples:

Q 28:How to cancel all actions?

ABOR
ABORT

Q 29:How to fetch current value?

FETC:CURR?
FETCH:CURRENT?

Q 30:How to fetch voltage value?

FETC:VOLT?
FETCH:VOLTAGE?

Q 31:How to measure current?

MEAS:CURR?
MEASURE:CURRENT?

Q 32:How to measure voltage?

MEAS:VOLT?
MEASURE:VOLTAGE?

Q 33:How to set up and read back the specific memory set?

MEM 1
MEMORY 3
MEM?
MEMORY?

Q 34:How to set up and read back the voltage stored in specific memory set?

MEM:VSET 10
MEM:VSET?
MEMORY:VSET 20
MEMORY:VSET?

Q 35:How to set up and read back the current stored in specific memory set?

MEM:ISSET 15

MEM:ISET?
MEMORY:ISET 25
MEMORY:ISET?

Q 36:How to save data to memory set?

MEM:SAVE
MEMORY:SAVE

Q 37:How to set up and cancel output?

OUT ON
OUTPUT 0

Q 38:How to set up and read back the voltage limit?

OUT:LIM:VOLT 30
OUT:LIM:VOLT?
OUTPUT:LIMIT:VOLTAGE 35
OUTPUT:LIMIT:VOLTAGE?

Q 39:How to set up and read back the current limit?

OUT:LIM:CURR 30
OUT:LIM:CURR?
OUTPUT:LIMIT:CURRENT 35
OUTPUT:LIMIT:CURRENT?

Q 40:How to set up and read back the voltage SLEW RATE?

OUT:SR:VOLT 2.4
OUT:SR:VOLT?
OUTPUT:SR:VOLTAGE 0.01
OUTPUT:SR:VOLTAGE?

Q 41:How to set up and read back the current SLEW RATE?

OUT:SR:CURR 2.5
OUT:SR:CURR?
OUTPUT:SR:CURRENT 0.01
OUTPUT:SR:CURRENT?

Q 42:How to read back the output state?

OUT:STAT?
OUTPUT:STATE?

Q 43:How to read back the protection state?

PROT?

PROTECTION?

Q 44:How to set up and read back the CC to CV protection state?

PROT:CCCV ON

PROT:CCCV?

PROTECTION:CCCV 0

PROTECTION:CCCV?

Q 45:How to set up and read back the CV to CC protection state?

PROT:CVCC ON

PROT:CVCC?

PROTECTION:CVCC 0

PROTECTION:CVCC?

Q 46:How to clear the state of protection?

PROT:CLE

PROTECTION:CLEAR

OUT:PROT:CLE

OUTPUT:PROTECTION:CLEAR

Q 47:How to set up and read back the overcurrent protection state?

PROT:OCP ON

PROT:OCP?

PROTECTION:OCP 0

PROTECTION:OCP?

SOUR:CURR:PROT ON

SOUR:CURR:PROT?

SOURCE:CURRENT:PROTECTION 0

SOURCE:CURRENT:PROTECTION?

Q 48:How to set up and read back the overcurrent protection point?

PROT:OCP:LEV 30

PROT:OCP:LEV?

PROTECTION:OCP:LEVEL 40

PROTECTION:OCP:LEVEL?

SOUR:CURR:PROT:LEV 25

SOUR:CURR:PROT:LEV?

SOURCE:CURRENT:PROTECTION:LEVEL 35

SOURCE:CURRENT:PROTECTION:LEVEL?

Q 49:How to set up and read back the overpower protection state?

PROT:OPP ON

PROT:OPP?

PROTECTION:OPP 0

PROTECTION:OPP?

Q 50:How to set up and read back the overpower protection point?

PROT:OPP:LEV 30

PROT:OPP:LEV?

PROTECTION:OPP:LEVEL 40

PROTECTION:OPP:LEVEL?

Q 51:How to set up and read back the overvoltage protection state?

PROT:OVP ON

PROT:OVP?

PROTECTION:OVP 0

PROTECTION:OVP?

SOUR:VOLT:PROT ON

SOUR:VOLT:PROT?

SOURCE:VOLTAGE:PROTECTION 0

SOURCE:VOLTAGE:PROTECTION ?

Q 52:How to set up and read back the overvoltage protection point?

PROT:OVP:LEV 30

PROT:OVP:LEV?

PROTECTION:OVP:LEVEL 40

PROTECTION:OVP:LEVEL?

SOUR:VOLT:PROT:LEV 25

SOUR:VOLT:PROT:LEV?

SOURCE:VOLTAGE:PROTECTION:LEVEL 35

SOURCE:VOLTAGE:PROTECTION:LEVEL?

Q 53:How to set up the buzzer?

SYS:BEEP ON

SYSTEM:BEEP 0

Q 54:How to set up the extra 5V voltage output?

SYS:E5V ON

SYSTEM:E5V 0

Q 55:How to read back error code?

SYS:ERR?

SYSTEM:ERROR?

Q 56:How to set up and read back the external adjustment state?

SYS:EXT VOLT

SYS:EXT?

SYSTEM:EXTERNAL RESISTANCE

SYSTEM:EXTERNAL?

Q 57:How to set up and read back the GPIB address?

SYS:GPIB:ADDR 5

SYS:GPIB:ADDR?

SYSTEM:GPIB:ADDRESS 6

SYSTEM:GPIB:ADDRESS?

Q 58:How to set up and read back the IP address?

SYS:IP:ADDR 192.168.0.208

SYS:IP:ADDR?

SYSTEM:IP:ADDRESS 192.168.10.10

SYSTEM:IP:ADDRESS?

Q 59:How to set up and read back the IP mode?

SYS:IP:CONF STATIC

SYS:IP:CONF?

SYSTEM:IP:CONFIG STATIC

SYSTEM:IP:CONFIG?

Q 60:How to set up and read back the key locking?

SYS:KEY:LOCK ON

SYSTEM:KEY:LOCK?

Q 61:How to set up and read back the LCD backlighting function?

SYS:LCD:BL ON

SYSTEM:LCD:BL?

Q 62:How to set up and read back the booting mode?

SYS:POW:TYPE LAST

SYS:POW:TYPE?
SYS:POWER:TYPE USER
SYS:POWER:TYPE?
SYSTEM:GPIB:ADDRESS?

Q 63:How to set up and read back the voltage under user-defined booting mode?

SYS:POW:VOLT 10
SYS:POW:VOLT?
SYSTEM:POWER:VOLTAGE 20
SYSTEM:POWER:VOLTAGE?

Q 64:How to set up and read back the current under user-defined booting mode?

SYS:POW:CURR 10
SYS:POW:CURR?
SYSTEM:POWER:CURRENT 20
SYSTEM:POWER:CURRENT?

Q 65:How to set up and read back the output state under user-defined booting mode?

SYS:POW:STAT ON
SYS:POW:STAT?
SYSTEM:POWER:STATE 0
SYSTEM:POWER:STATE?

Q 66:How to recall back default setting?

SYS:REC:DEF
SYSTEM:RECALL:DEFAULT

Q 67:How to set up and read back the communication interface?

SYS:REM GPIB
SYS:REM?
SYSTEM:REMOTE ETHERNET
SYSTEM:REMOTE?

Q 68:How to read back the SERIES NUMBER?

SYS:SER?
SYSTEM:SERIES?

Q 69:How to set up and read back the output voltage?

SOUR:VOLT 30

SOUR:VOLT?

SOURCE:VOLTAGE 35

SOURCE:VOLTAGE?

Q 70:How to set up and read back the output current?

SOUR:CURR 40

SOUR:CURR?

SOURCE:CURRENT 35

SOURCE:CURRENT?

Q 71:How to set up and read back parallel/series mode?

PS:MODE PARALLEL

PS:MODE?

PS:MODE 2

PS:MODE OFF

Q 72:How to set up and read back master/slave in parallel/series mode?

PS:TYPE MASTER

PS:MODE?

PS:MODE SLAVEB

PS:MODE 3

Q 73:How to set up Program function?

Refer to “Programmable capability” section for details.

6.6 State Bit Definition

When “**STATE?**” command is used, the system will return three (3) bytes in the order as shown below.

Byte 2	Byte 1	Byte 0
bit 7 - bit 0	bit 7 - bit 0	bit 7 - bit 0

The definition of each bit is described in the following:

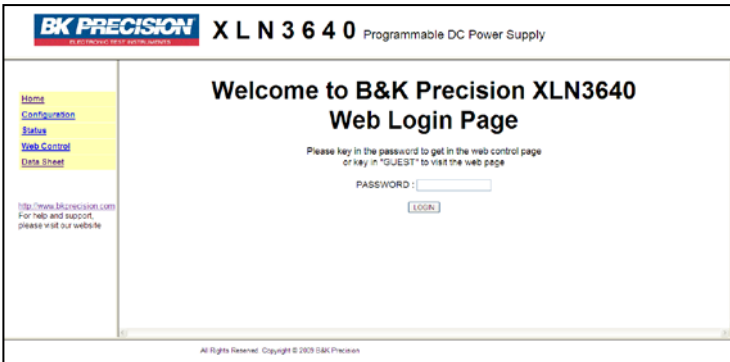
byte 0:	bit 7	OVP on/off status
	bit 6	OCP on/off status
	bit 5	OPP on/off status
	bit 4	CC to CV on/off status
	bit 3	CV to CC on/off status
	bit 2	output on/off status
	bit 1	LCD back light on/off status
	bit 0	External 5V output on/off status
byte 1:	bit 7	OVP occur flag
	bit 6	OCP occur flag
	bit 5	OPP occur flag
	bit 4	CC to CV occur flag
	bit 3	CV to CC occur flag
	bit 2	AC detect low occur flag
	bit 1	OTP occur flag
	bit 0	reserved
byte 2:	bit 7 - 0	reserved

6.7 LAN Communication (-GL versions)

XLN series power supplies provide three LAN control modes, including Web server, Telnet and Sockets. First, enter the first Item “System Setting” on the menu to set the interface selection (Remote Control) to Ethernet. Then, select IP setting procedure as Static. An IP address is required to complete setup. After completed, the supply will be able to use the above LAN control mode to control the power supply.

Using Web Server

XLN series with the –GL option have a built-in Web Server. User can control the power supply on a computer using a Web browser. Open Web browser and input IP address to enter the Welcome page, as shown below.



Enter password (default is 123456) to login the main page (Home), and then click the links on the left column to configure or control settings.

Main Page (Home)

The main page shows all the basic message and network information.

INFORMATION	
Instrument Model	XLN3640
Manufacturer	BK Precision
Serial Number	
Description	Programmable DC Power Supply
MAC Address	86:17:F3:00:05:85
IP Address	192.168.120.110
Firmware Version	1.14

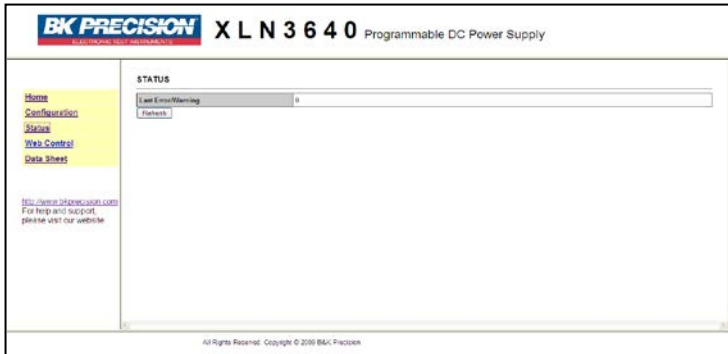
Setting Page (Configuration)

This page allows you to setup protection settings and reset/setup password for the system.

CONFIG		
OVP Setting	<input type="radio"/> ON <input checked="" type="radio"/> OFF	OVP Value = 33.000 (0 ~ 39 V)
OCP Setting	<input type="radio"/> ON <input checked="" type="radio"/> OFF	OCP Value = 42.000 (0 ~ 43 A)
ODP Setting	<input checked="" type="radio"/> ON <input type="radio"/> OFF	ODP Value = 1500.000 (0 ~ 1800 W)
Extra 5V Output	<input type="radio"/> ON <input checked="" type="radio"/> OFF	
LCD back light	<input checked="" type="radio"/> ON <input type="radio"/> 1 MIN. OFF <input type="radio"/> 5 MINS OFF <input type="radio"/> 10 MINS OFF <input type="radio"/> 30 MINS OFF	
Change Password	OLD: <input type="text"/>	NEW: <input type="text"/> CONFIRM NEW: <input type="text"/>
<input type="button" value="SUBMIT"/>		

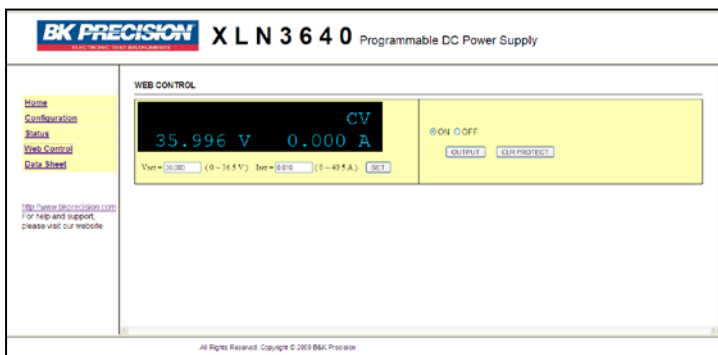
Status Page (Status)

Display the status of the system. If any error codes are shown, please refer to “Error/Event list” section for details.



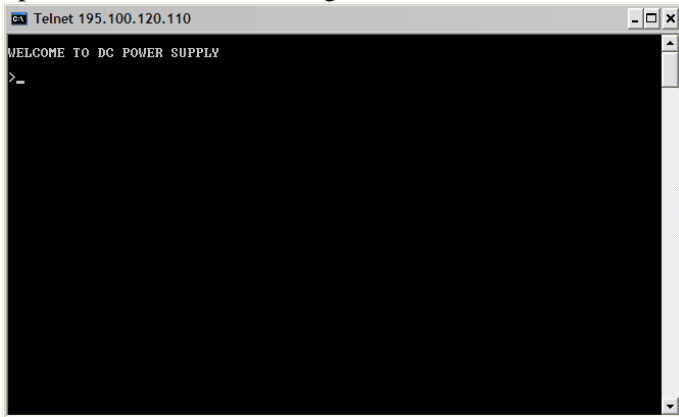
Web Control

This page allows user to set up voltage/current and output. Additionally, the display will allow monitoring of the output voltage/current value (JAVA support is required for display).



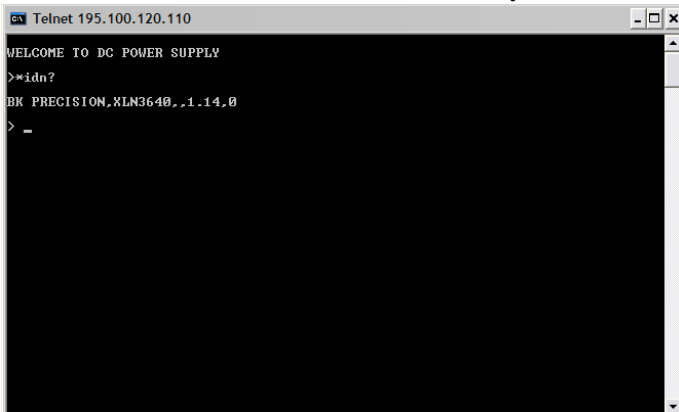
Using Telnet

The power supply can be controlled via Telnet over the Ethernet interface. Simply go into command prompt under MS-DOS and enter: Telnet <DeviceIP> 5024 (<Device IP> is IP address of the unit; 5024 is the Telnet port). A welcome message will be shown as below:



```
Telnet 195.100.120.110
WELCOME TO DC POWER SUPPLY
> _
```

Input SCPI command to communicate with the system, such as below:



```
Telnet 195.100.120.110
WELCOME TO DC POWER SUPPLY
>*idn?
BK PRECISION,XLN3640,,1.14.0
> _
```

Using Sockets

All XLN series use port 5025 for remote communication via socket connection using the LAN interface. Socket connection uses the TCP/IP protocol. Be sure **Suppress End On Reads** is disabled.

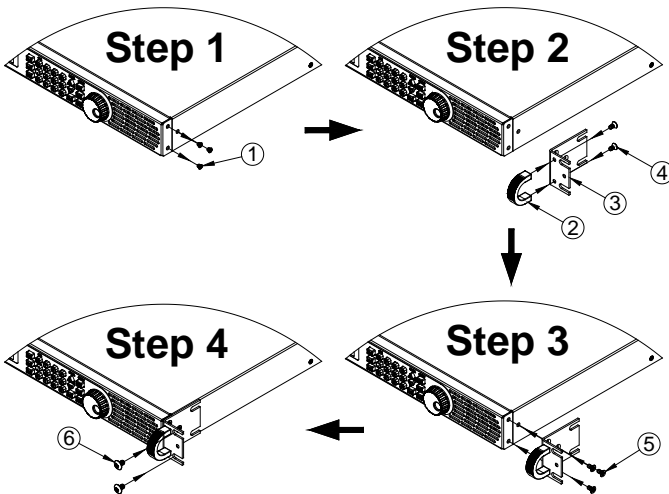
7. Assemble Accessories

7.1 Assemble Rack Mount Brackets

The XLN3640/XLN6024/XLN8018/XLN10014 is designed to fit in a space of one rack unit (1U) and can be mounted in a standard 19-inch rack panel or cabinet. Rack mount brackets must be assembled before mounting the unit in a rack. Refer to the following figure to assemble the rack mount brackets.

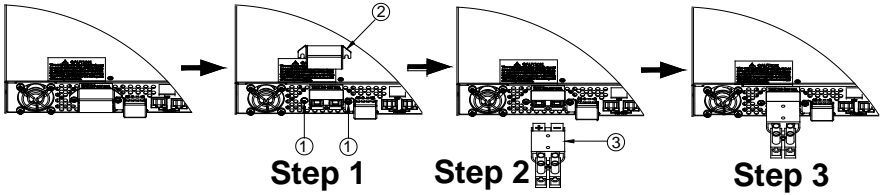


Rack mount Brackets



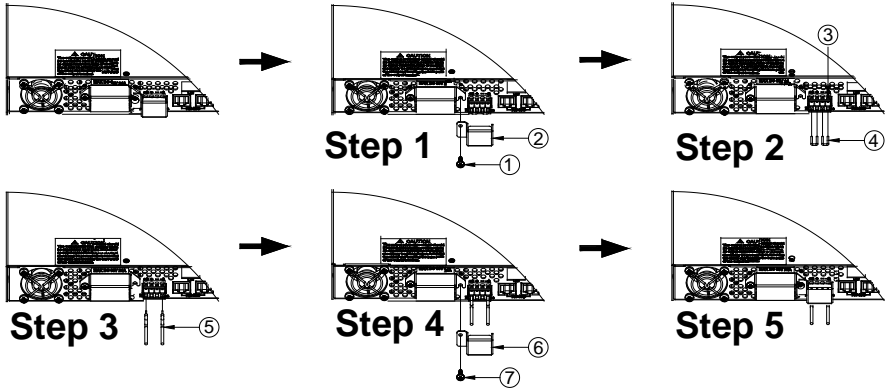
7.2 Assembly of Output Protective Cover (XLN6024/XLN8018/XLN10014)

Safety regulation requests protective cover when the output voltage is higher than 45 VDC. Therefore, there are protective covers for the output connectors for the XLN6024/XLN8018/XLN10014. Refer to the following figure for the assembly/disassembly of the output protective cover.



7.3 Assembly of Remote Sense Protective Cover (XLN6024/XLN8018/XLN10014)

Safety regulation requests protective cover when the voltage is higher than 45 VDC. Therefore, there are protective covers for the remote sense connectors for the XLN6024/XLN8018/XLN10014. Refer to the following figure for the assembly/disassembly of the remote sense protective cover.



8. Accessories

Product Name: XLN3640/XLN6024/XLN8018/XLN10014

Parts List:

Item	Name & Specification	Remarks
1.	Terminal Block for Rapid Plug Connector	
2.	XLNRC Output Rapid Connector	Includes two solder plugs
3.	Rack mount Bracket kit	
4.	Handle bar kit	
5.	Operation Manual	
6.	XLNPC Power Cord	
7.	Test Report and Certificate of Calibration	

9. Service Information

Warranty Service: Please go the support and service section on our website www.bkprecision.com to obtain a RMA #. Return the product in the original packaging with proof of purchase to the address below. Clearly state on the RMA the performance problem and return any leads, probes, connectors and accessories that you are using with the device.

Non-Warranty Service: Please go the support and service section on our website www.bkprecision.com to obtain a RMA #. Return the product in the original packaging to the address below. Clearly state on the RMA the performance problem and return any leads, probes, connectors and accessories that you are using with the device. Customers not on an open account must include payment in the form of a money order or credit card. For the most current repair charges please refer to the service and support section on our website.

Return all merchandise to B&K Precision Corp. with pre-paid shipping. The flat-rate repair charge for Non-Warranty Service does not include return shipping. Return shipping to locations in North America is included for Warranty Service. For overnight shipments and non-North American shipping fees please contact B&K Precision Corp.

B&K Precision Corp.
22820 Savi Ranch Parkway
Yorba Linda, CA 92887
www.bkprecision.com
714-921-9095

Include with the returned instrument your complete return shipping address, contact name, phone number and description of problem.

10. Limited Three-year Warranty

B&K Precision Corp. warrants to the original purchaser that its products and the component parts thereof, will be free from defects in workmanship and materials for a period of **three years** from date of purchase.

B&K Precision Corp. will, without charge, repair or replace, at its option, defective product or component parts. Returned product must be accompanied by proof of the purchase date in the form of a sales receipt.

To help us better serve you, please complete the warranty registration for your new instrument via our website www.bkprecision.com

Exclusions: This warranty does not apply in the event of misuse or abuse of the product or as a result of unauthorized alterations or repairs. The warranty is void if the serial number is altered, defaced or removed.

B&K Precision Corp. shall not be liable for any consequential damages, including without limitation damages resulting from loss of use. Some states do not allow limitations of incidental or consequential damages. So the above limitation or exclusion may not apply to you.

This warranty gives you specific rights and you may have other rights, which vary from state-to-state.

B&K Precision Corp.
22820 Savi Ranch Parkway
Yorba Linda, CA 92887
www.bkprecision.com
714-921-9095

BK PRECISION®

22820 Savi Ranch Parkway
Yorba Linda, CA 92887
www.bkprecision.com

© 2009-2013 B&K Precision Corp.