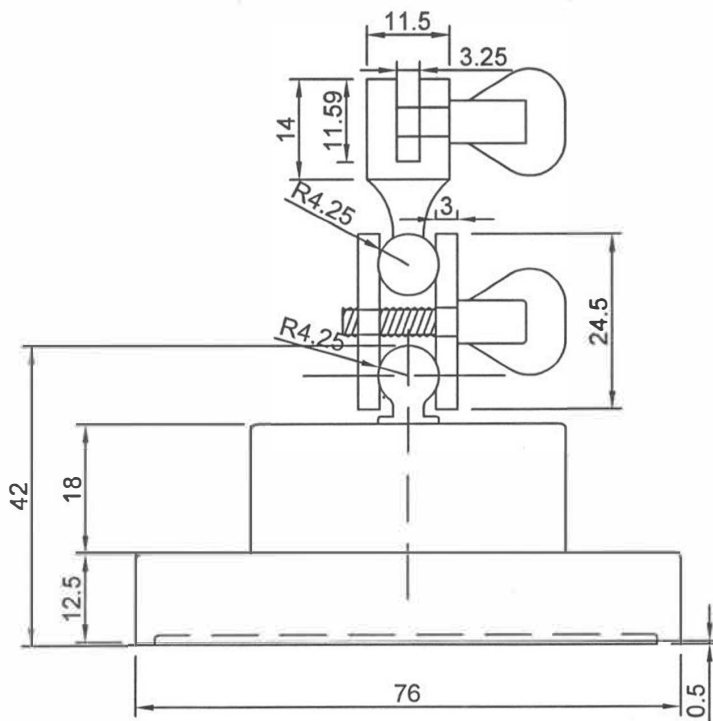
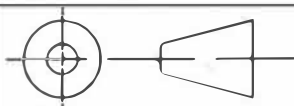


TOP VIEW (ONLY BODY)



FRONT VIEW

Rev. No.	
DRAWN BY CMK	DATE:- 04/20/2023
CHKD. BY OMS	PART NAME ROUND BASE
APPD. BY	
	AVEN INTERNATIONAL
DIMENSION : MM	