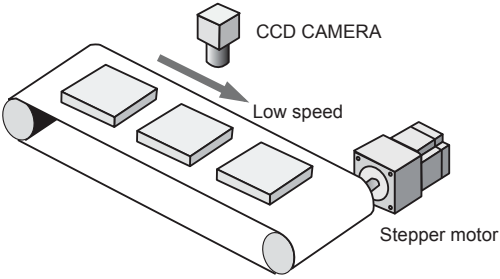
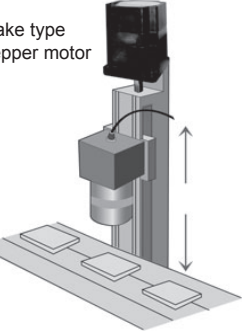
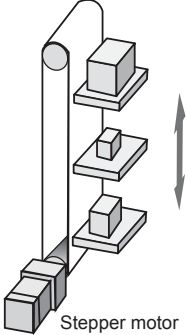
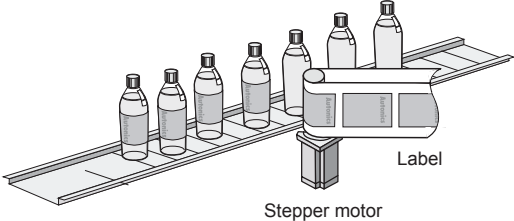
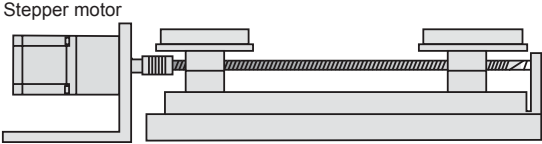
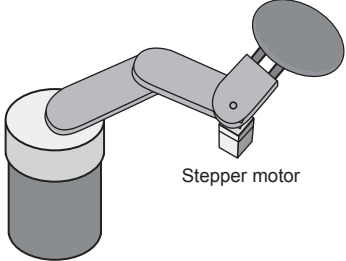
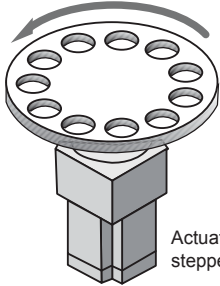
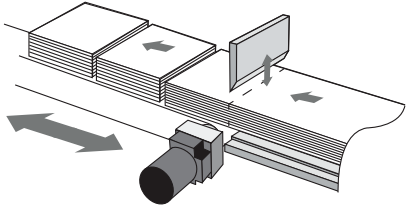


## ■ Applications

<p style="text-align: center;">Inspection facilities</p>  <p style="text-align: right;">Stepper motor</p>	<p style="text-align: center;">Inspection facilities</p>  <p style="text-align: left;">Brake type stepper motor</p>
<p style="text-align: center;">Belt drive</p>  <p style="text-align: right;">Stepper motor</p>	<p style="text-align: center;">Label position control in packaging machine</p>  <p style="text-align: right;">Stepper motor</p>
<p style="text-align: center;">Ball screw drive</p>  <p style="text-align: left;">Stepper motor</p>	<p style="text-align: center;">Wafer transfer robot control</p>  <p style="text-align: right;">Stepper motor</p>
<p style="text-align: center;">Index Table</p>  <p style="text-align: right;">Actuator type stepper motor</p>	<p style="text-align: center;">Cutting position control</p>  <p style="text-align: right;">Stepper motor</p>

(A) Photoelectric Sensors

(B) Fiber Optic Sensors

(C) Door/Area Sensors

(D) Proximity Sensors

(E) Pressure Sensors

(F) Rotary Encoders

(G) Connectors/  
Connector Cables/  
Sensor Distribution  
Boxes/Sockets

(H) Temperature Controllers

(I) SSRs / Power Controllers

(J) Counters

(K) Timers

(L) Panel Meters

(M) Tacho /  
Speed / Pulse  
Meters

(N) Display Units

(O) Sensor Controllers

(P) Switching  
Mode Power  
Supplies

(Q) Stepper Motors  
& Drivers  
& Controllers

(R) Graphic/  
Logic  
Panels

(S) Field  
Network  
Devices

(T) Software