

Groove-depth 9 mm Cable/Connector type Photomicro Sensors



BS5 Series

For your safety, read and follow the considerations written in the instruction manual, other manuals and Autonics website.

The specifications, dimensions, etc. are subject to change without notice for product improvement. Some models may be discontinued without notice.

Features

- Select appearance depending on the install location (K, T, V, L, Y, F, R, TA type)
- Minimize malfunction and improve visibility
 - Minimize sensing part, gap and flush of the body to reduce malfunctions caused by a foreign substance
 - Built-in U-shaped indicator can be checked in many directions
- Selectable models for the operation of indicator
 - Indicator turns ON under the light received condition
 - Indicator turns ON under the light interrupted condition
- Resistant structure for shock and vibration
 - Shock 15,000 m/s² (approx. 1,500 G), vibration 10 to 2,000 Hz (1.5 mm amplitude)
- Selectable operation modes (Light ON/Dark ON) via connector or control wire
- High-frequency response : 2 kHz

Safety Considerations

- Observe all 'Safety Considerations' for safe and proper operation to avoid hazards.
- ⚠ symbol indicates caution due to special circumstances in which hazards may occur.

⚠ Warning Failure to follow instructions may result in serious injury or death.

- 01. Fail-safe device must be installed when using the unit with machinery that may cause serious injury or substantial economic loss. (e.g., nuclear power control, medical equipment, ships, vehicles, railways, aircraft, combustion apparatus, safety equipment, crime/disaster prevention devices, etc.)**
Failure to follow this instruction may result in personal injury, fire or economic loss.
- 02. Do not use the unit in the place where flammable/explosive/corrosive gas, high humidity, direct sunlight, radiant heat, vibration, impact, or salinity may be present.**
Failure to follow this instruction may result in explosion or fire.
- 03. Do not disassemble or modify the unit.**
Failure to follow this instruction may result in fire.
- 04. Do not connect, repair, or inspect the unit while connected to a power source.**
Failure to follow this instruction may result in fire.
- 05. Check 'Connections' before wiring.**
Failure to follow this instruction may result in fire.

⚠ Caution Failure to follow instructions may result in injury or product damage.

- 01. Use the unit within the rated specifications.**
Failure to follow this instruction may result in fire or shortening the life cycle of the product.
- 02. Use dry cloth to clean the unit, and do not use water or organic solvent.**
Failure to follow this instruction may result in fire or electric shock.

Cautions during Use

- Follow instructions in 'Cautions during Use'. Otherwise, It may cause unexpected accidents.
- Use the product, 0.5 sec after supplying power. When using separate power supply for the sensor and load, supply power to sensor first.
- 5-24VDC power supply should be insulated and limited voltage/current or Class 2, SELV power supply device.
- Wire as short as possible and keep away from high voltage lines or power lines, to prevent inductive noise.
- When using sensor with the equipment which generates noise (switching regulator, inverter, servo motor, etc.), ground F.G. terminal of the equipment.
- This unit may be used in the following environments.
 - Indoors (in the environment condition rated in 'Specifications')
 - Altitude max. 2,000m
 - Pollution degree 2
 - Installation category II

Ordering Information

This is only for reference.

For selecting the specific model, follow the Autonics web site.

BS 5 - ① ② - ③

① Appearance+Connection

	Cable type	Connector type
K1		
T1	 Distance from the center of sensing to mounting surface: 7.3 mm	 Distance from the center of sensing to mounting surface: 7.3 mm
L1		
Y1		
V1		
TA1	 Distance from the center of sensing to mounting surface: 10 mm	 Distance from the center of sensing to mounting surface: 10 mm
F1		
R1		

② Indicator

M: Turns ON under the light received condition

R: Turns ON under the light interrupted condition

③ Control output

No mark: NPN open collector output

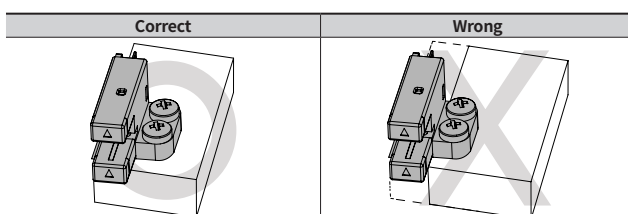
P: PNP open collector output

Sold Separately

- Socket: CT-01 (connector type), CT-02 (cable type, length: 1 m)

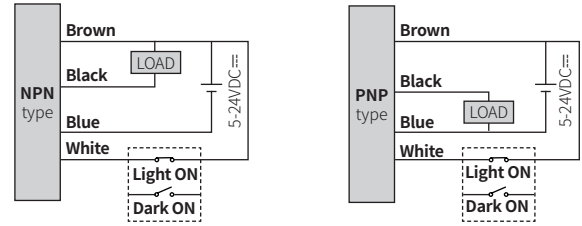
Cautions for Installation

- Tighten the screw with tightening torque under 0.49 N m.
- In case of F and R type, as shown below, make sure that the bottom of the product and the mounting surface are in direct contact with each other.



Connections

■ Cable type

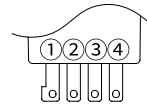


■ Connector type

- For LOAD connection, follow the cable type connection.

- Be sure to connect the unit using the dedicated socket (CT-01 or CT-02, sold separately).

If it is soldered on the unit terminal pin directly not using the connector socket (CT-01), it may cause product damage.



Pin	Color	Function
①	Brown	+V
②	White	Control
③	Black	Output
④	Blue	0V

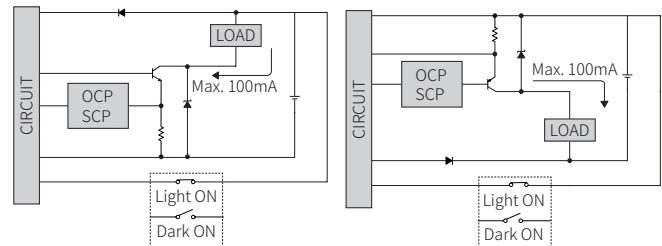
■ Selectable operation mode

Operation mode	Connection
Light ON	(White) Control wire connects with (Brown) +V
Dark ON	(White) Control wire connects with (Blue) 0V or does NOT connect

Inner Circuit

■ NPN open collector output

■ PNP open collector output



- OCP (over current protection), SCP (short circuit protection)
- If short-circuit the control output terminal or supply current over the rated specification, normal control signal is not output due to the protection circuit.

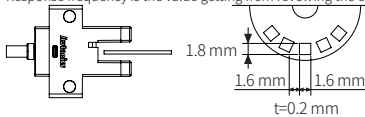
Operation Timing Chart

Model		Indicator turns ON under light received condition	Indicator turns ON under light interrupted condition
Received light	Received		
	Interrupted		
Light ON	Operation indicator	ON: OFF:	ON: OFF:
	Transistor output	ON: OFF:	ON: OFF:
Dark ON	Operation indicator	ON: OFF:	ON: OFF:
	Transistor output	ON: OFF:	ON: OFF:

Specifications

Series	BS5
Sensing type	Through-beam
Sensing distance	5 mm
Sensing target	Opaque materials
Min. sensing target	≥ Ø 0.8 mm × 2 mm
Hysteresis	≤ 0.05 mm
Response time	Received light: ≤ 20 μs, Interrupted light: ≤ 100 μs
Frequency response	2 kHz ⁰¹⁾
Light source	Infrared LED
Peak emission wavelength	940 nm
Operation mode	Light ON-Dark ON selectable (control wire)
Indicator	Operation indicator (red LED)
Approval	CE
Weight	Cable type: ≈ 50 g, Connector type: ≈ 30 g

01) Response frequency is the value getting from revolving the circle panel below.



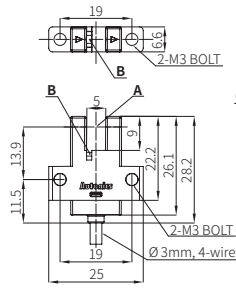
Power supply	5-24 VDC≐ ± 10 % (ripple P-P: ≤ 10 %)
Current consumption	≤ 30 mA
Control output	NPN open collector / PNP open collector output model
Load voltage	≤ 30 VDC≐
Load current	≤ 100 mA
Residual voltage	NPN: ≤ 1.2 VDC≐, PNP: ≤ 1.2 VDC≐
Protection circuit	Reverse power polarity protection circuit, output short overcurrent protection circuit
Insulation resistance	≥ 20 MΩ (250 VDC≐ megger)
Noise immunity	The square wave noise (pulse width: 1 μs) by the noise simulator ± 240 VDC≐
Dielectric strength	1,000 VAC~ 50/60 Hz for 1 minute
Vibration	1.5 mm amplitude (max. acceleration 196 m/s ²) at frequency of 10 to 2,000 Hz in each X, Y, Z direction for 2 hours
Shock	15,000 m/s ² (approx. 1,500 G) in each X, Y, Z direction for 3 times
Ambient illumination	Fluorescent lamp: ≤ 1,000 lx (receiver illumination)
Ambient temperature	-20 to 55°C, storage: -25 to 85°C (a non freezing or condensation environment)
Ambient humidity	35 to 85%RH, storage: 35 to 85%RH (a non freezing or condensation environment)
Protection structure	IP50 (IEC standard)
Connection method	Cable / Connector type model
Cable	Ø 3 mm, 4-wire, 1 m
Core	AWG28 (0.08 mm), 19-core, insulator out diameter: Ø 0.88 mm
Material	Case: PBT, Sensing part: PC

Dimensions

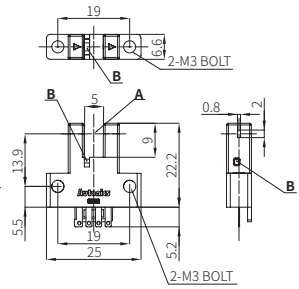
• Unit: mm, For the detailed dimensions of the product, follow the Autonics web site.

A	Optical axis
B	Operation indicator (red LED)

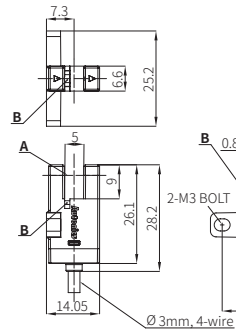
■ BS5-K1



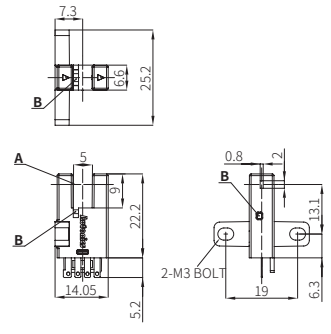
■ BS5-K2



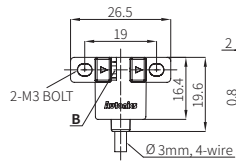
■ BS5-T1



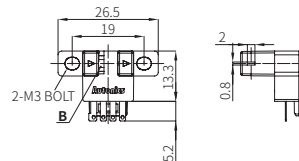
■ BS5-T2



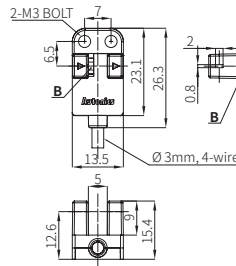
■ BS5-L1



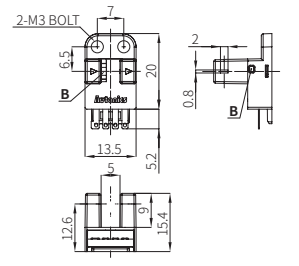
■ BS5-L2



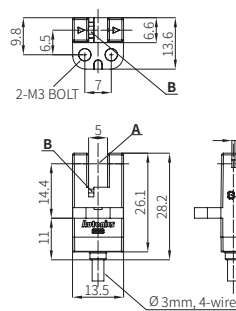
■ BS5-Y1



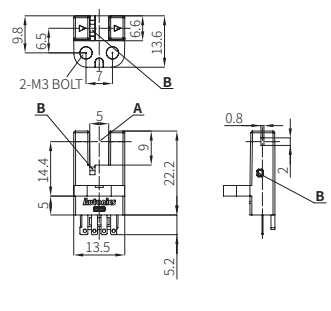
■ BS5-Y2



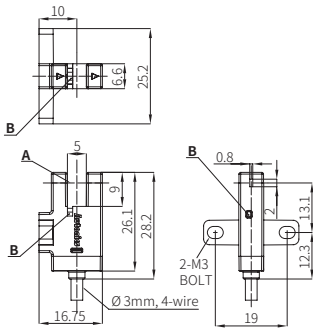
■ BS5-V1



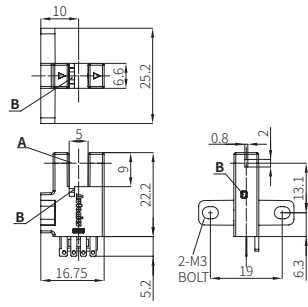
■ BS5-V2



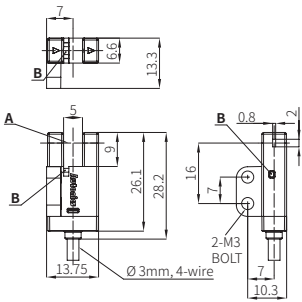
■ BS5-TA1



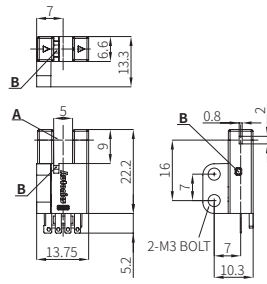
■ BS5-TA2



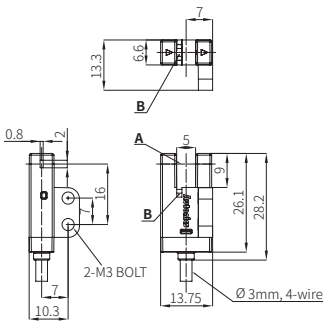
■ BS5-F1



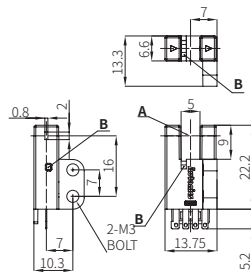
■ BS5-F2



■ BS5-R1



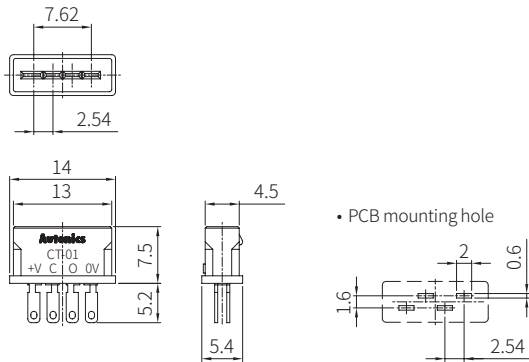
■ BS5-R2



Sockets (Sold Separately)

• Unit: mm, for detailed dimensions, visit our website.

■ CT-01 (connector type)



■ CT-02 (cable type)

