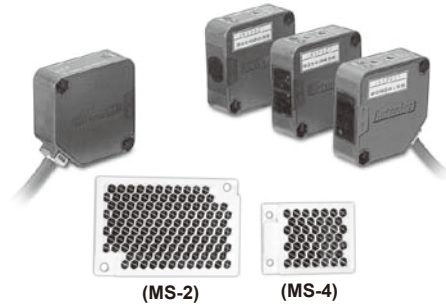


BEN Series


Compact, amplifier built-in type with Universal voltage

■ Features

- Small and power supply built-in type
- Easy installation with LED indicators on product
- Enables to set the operation mode by VR (Light ON/Dark ON)
- Status and output LED indication
- Built-in IC photo diode for ambient light and electrical noise




※MS-4 is sold separately.

 Please read "Caution for your safety" in operation manual before using.



■ Specifications

• Free power, Relay contact output type

Model	BEN10M-TFR	BEN5M-MFR	BEN3M-PFR	BEN300-DFR
Sensing type	Through-beam	Retroreflective (Standard type)	Retroreflective (Built-in polarizing filter)	Diffuse reflective
Sensing distance	10m	0.1 to 5m ^{※1}	0.1 to 3m ^{※1}	300mm ^{※2}
Sensing target	Opaque materials of Min. ø16mm	Opaque materials of Min. ø60mm		Translucent, Opaque materials
Hysteresis	—			Max. 20% at rated setting distance
Response time	Max. 20ms			
Response time	24-240VAC ±10% 50/60Hz, 24-240VDC ±10%(Ripple P-P : Max. 10%)			
Power consumption	Max. 4VA			
Light source	Infrared LED(850nm)		Red LED(660nm)	Infrared LED(940nm)
Sensitivity adjustment	—		Adjustment VR	
Operation mode	Selectable Light ON or Dark ON by VR			
Control output	Relay contact output • Relay contact capacity: 30VDC 3A of resistive load, 250VAC 3A resistive load • Relay contact composition: 1c			
Relay lifetime	Mechanically: Min. 50,000,000 operation, Electrically: Min. 100,000 operation			
Light receiving element	Photo IC			
Indicator	Operation indicator : red, Stability indicator : green (The red lamp on Emitter of transmitted beam type is for power indication)			
Insulation resistance	Min. 20MΩ(at 500VDC megger)			
Insulation type	Double or strong insulation (Mark :  , Dielectric voltage between the measured input and the power: 1kV)			
Noise resistance	±1,000V the square wave noise(pulse width : 1μs) by the noise simulator			
Dielectric strength	1000VAC 50/60Hz for 1minute			
Vibration	Mechanical	1.5mm amplitude or 300m/s ² at frequency of 10 to 55Hz(for 1 min.) in each of X, Y, Z directions for 2 hours		
	Malfunction	1.5mm amplitude or 300m/s ² at frequency of 10 to 55Hz(for 1 min.) in each of X, Y, Z directions for 10 minutes		
Shock	Mechanical	500m/s ² (approx. 50G) in each of X, Y, Z directions for 3 times		
	Malfunction	100m/s ² (approx. 10G) in each of X, Y, Z directions for 3 times		
Environment	Ambient illumination	Sunlight : Max. 11,000lx, Incandescent lamp : Max. 3,000lx (Receiver illumination)		
	Ambient temperature	-20 to 65°C, storage : -25 to 70°C		
	Ambient humidity	35 to 85%RH, storage : 35 to 85%RH		
Protection	IP50(IEC standard)			
Material	• Case, Case cover: Heat resistant ABS • Sensing part: PC(with polarizing filter: PMMA)			
Cable	ø5, 5-wire, Length: 2m(Emitter of through-beam type: ø5, 2-wire, Length: 2m) (AWG22, Core diameter: 0.08mm, Number of cores: 60, Insulator out diameter: ø1.25)			
Accessory	Individual	—	Reflector(MS-2)	—
	Common	VR adjustment driver, Mounting bracket, Bolts/nuts		
Unit weight	Approx. 354g		Approx. 208g	Approx. 195g

※1: The sensing distance is specified with using the MS-2 reflector and same as the MS-4 reflector. Sensing distance is setting range of the reflector. The sensor can detect under 0.1m.

※2: It is for Non-glossy white paper(100×100mm).

※The temperature or humidity mentioned in Environment indicates a non freezing or condensation environment.

Amplifier Built-in type with Universal voltage

● DC power, Solid state output type

Model	BEN10M-TDT	BEN5M-MDT	BEN3M-PDT	BEN300-DDT
Sensing type	Through-beam	Retroreflective	Retroreflective (with polarizing filter)	Diffuse reflective
Sensing distance	10m	0.1 to 5m ※1	0.1 to 3m ※1	300mm ※2
Sensing target	Opaque materials of Min. ø16mm	Opaque materials of Min. ø60mm		Translucent, Opaque materials
Hysteresis	—			Max. 20% at rated setting distance
Response time	Max. 1ms			
Response time	12-24VDC ±10%(Ripple P-P: Max. 10%)			
Current consumption	Max. 50mA			
Light source	Infrared LED(850nm)		Red LED(660nm)	Infrared LED(940nm)
Sensitivity adjustment	—		Adjustment VR	
Operation mode	Selectable Light ON or Dark ON by VR			
Control output	NPN open collector / PNP open collector simultaneous output ●Load voltage: Max. 30VDC ●Load current: Max. 200mA ●Residual voltage - NPN: Max. 1V, PNP: Max. 2.5V			
Protection circuit	Reverse polarity protection, Short-circuit protection			
Light receiving element	Photo IC			
Indicator	Operation indicator : Red, Stability indicator : Green (The red lamp on Emitter of transmitted beam type is for power indication)			
Insulation resistance	Min. 20MΩ(at 500VDC megger)			
Noise resistance	±240V the square wave noise(pulse width: 1μs) by the noise simulator			
Dielectric strength	1000VAC 50/60Hz for 1minute			
Vibration	1.5mm amplitude or 300m/s ² at frequency of 10 to 55Hz(for 1 min.) in each of X, Y, Z directions for 2 hours			
Shock	500m/s ² (approx. 50G) in each of X, Y, Z directions for 3 times			
Environment	Ambient illumination	Sunlight : Max. 11,000lx Incandescent lamp : Max. 3,000lx (Receiver illumination)		
	Ambient temperature	-20 to 65°C, storage : -25 to 70°C		
	Ambient humidity	35 to 85%RH, storage : 35 to 85%RH		
Protection	IP50(IEC standard)			
Material	● Case, Case cover: Heat resistant ABS ● Sensing part: PC(with polarizing filter: PMMA)			
Cable	ø5, 4-wire, Length: 2m(Emitter of through-beam type: ø5, 2-wire, Length: 2m) (AWG22, Core diameter: 0.08mm, Number of cores: 60, Insulator diameter: ø1.25)			
Accessory	Individual	—		Reflector(MS-2)
	Common	VR adjustment driver, Mounting bracket, Bolts/nuts		
Approval	CE			
Unit weight	Approx. 342g	Approx. 200g	Approx. 187g	

※1: The sensing distance is specified with using the MS-2 reflector and same as the MS-4 reflector. Sensing distance is setting range of the reflector. The sensor can detect under 0.1m.

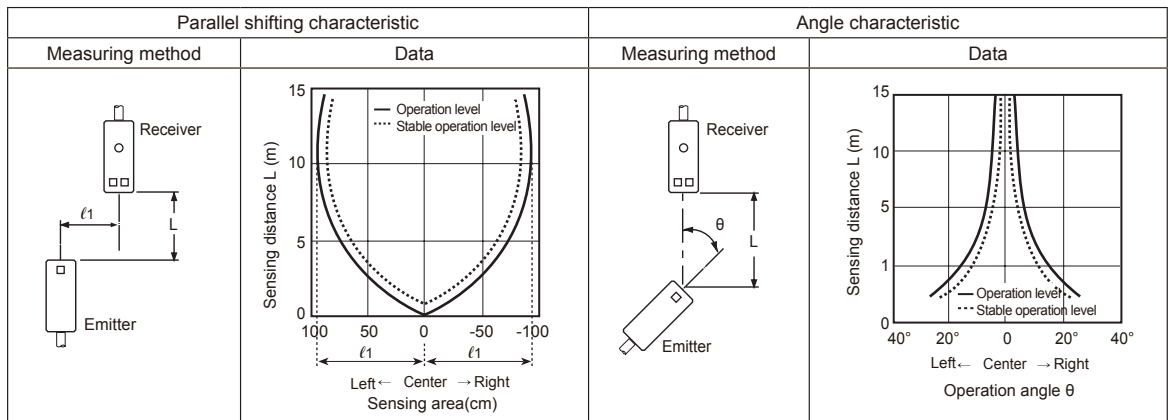
※2: It is for Non-glossy white paper(100×100mm)

※The temperature or humidity mentioned in Environment indicates a non freezing or condensation environment.

■ Feature data

◎ Through-beam type

● BEN10M-TFR ● BEN10M-TDT



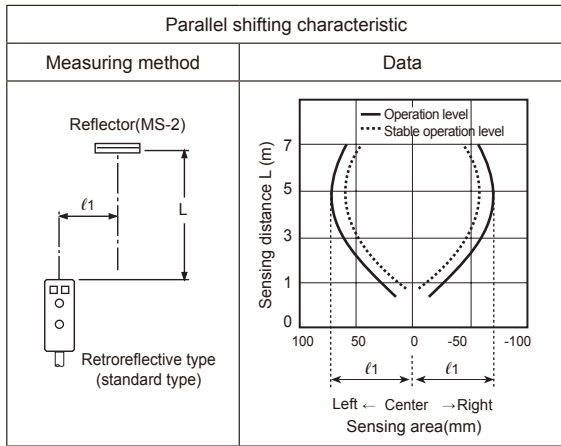
(A)	Photo electric sensor
(B)	Fiber optic sensor
(C)	Door/Area sensor
(D)	Proximity sensor
(E)	Pressure sensor
(F)	Rotary encoder
(G)	Connector/Socket
(H)	Temp. controller
(I)	SSR/Power controller
(J)	Counter
(K)	Timer
(L)	Panel meter
(M)	Tacho/Speed/Pulse meter
(N)	Display unit
(O)	Sensor controller
(P)	Switching mode power supply
(Q)	Stepper motor& Driver&Controller
(R)	Graphic/Logic panel
(S)	Field network device
(T)	Software
(U)	Other

BEN Series

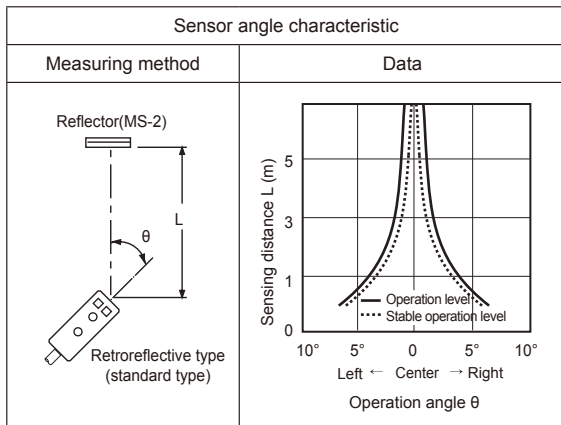
■ Feature data

◎ Retroreflective type(Standard type)

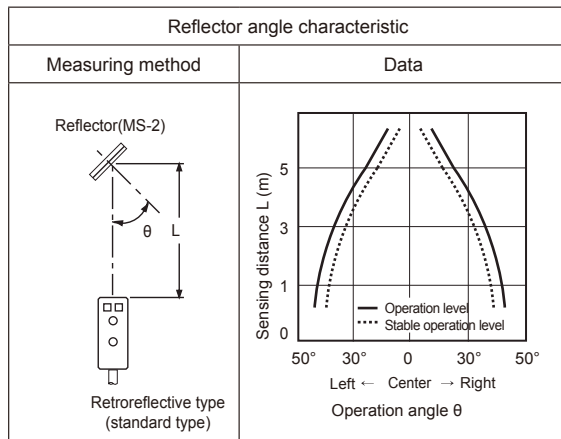
● BEN5M-MFR ● BEN5M-MDT



● BEN5M-MFR ● BEN5M-MDT

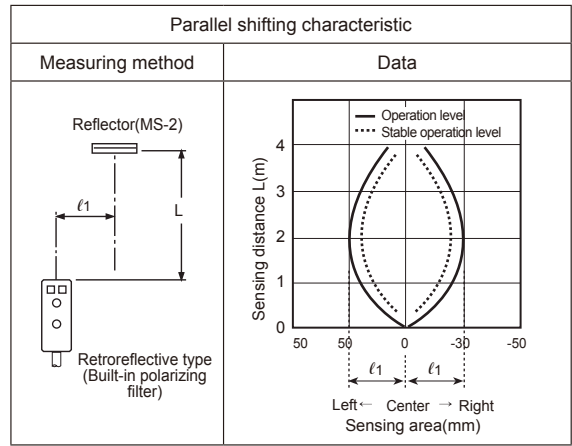


● BEN5M-MFR ● BEN5M-MDT

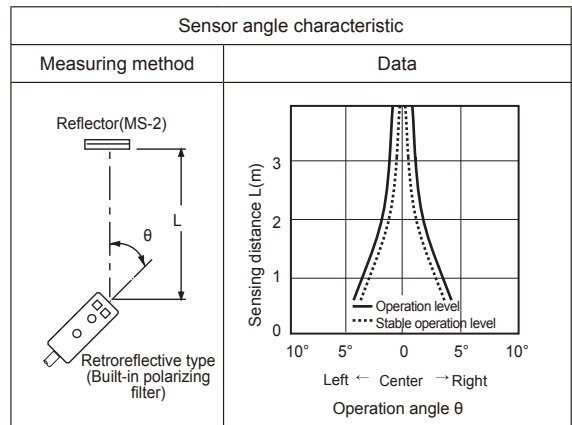


◎ Retroreflective type(Built-in polarizing filter)

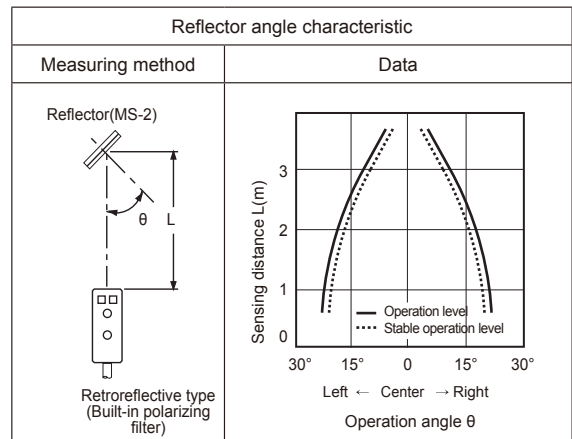
● BEN3M-PFR ● BEN3M-PDT



● BEN3M-PFR ● BEN3M-PDT



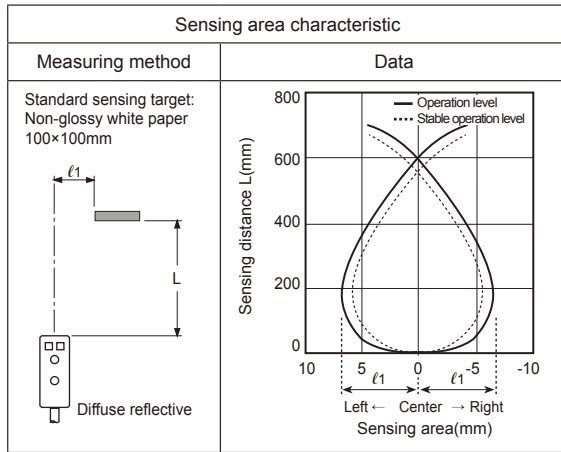
● BEN3M-PFR ● BEN3M-PDT



Amplifier Built-in type with Universal voltage

◎ Diffuse reflective type

● BEN300-DFR ● BEN300-DDT



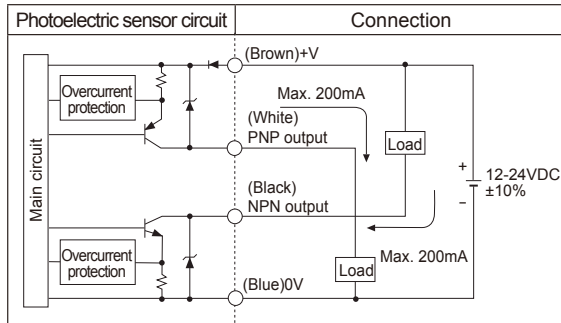
■ Operation mode

Operation mode	Light ON	
Receiver operation	Received light	
	Interrupted light	
Operation indicator (red LED)	ON	
	OFF	
Transistor output	ON	
	OFF	

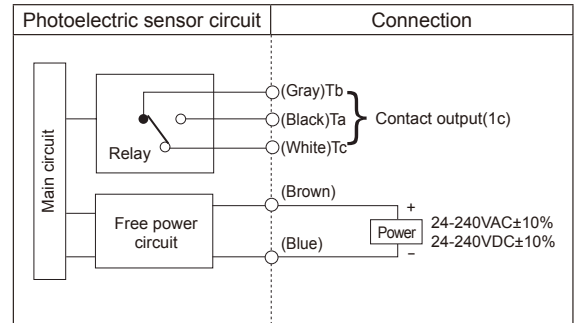
Operation mode	Dark ON	
Receiver operation	Received light	
	Interrupted light	
Operation indicator (red LED)	ON	
	OFF	
Transistor output	ON	
	OFF	

■ Control output diagram

● DC voltage(NPN/PNP synchronous output)

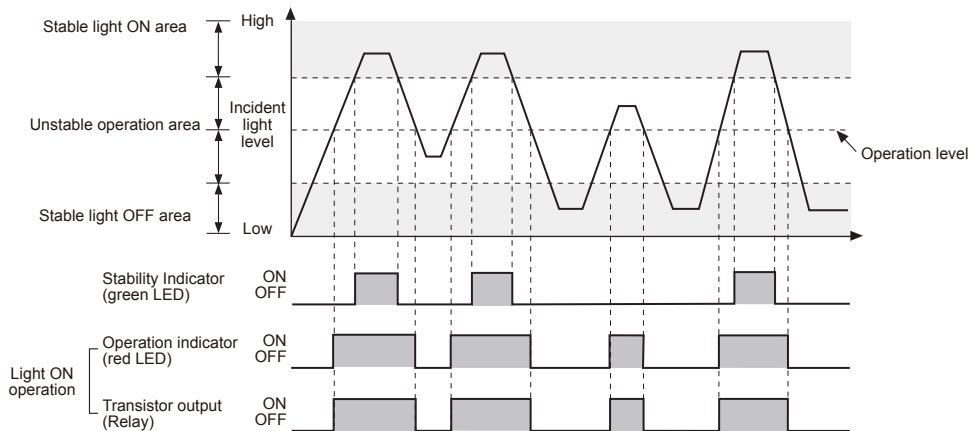


● Free power(Relay contact output)



※ In case of product with the output protection device, if terminals of control output are short circuited or overcurrent condition exists, the control output turns OFF due to protection circuit.

■ Operation timing diagram



※ The waveforms of "Operation indicator" and "Transistor output" are for Light ON operation. They are opposite operation for Dark ON operation.

(A) Photo electric sensor

(B) Fiber optic sensor

(C) Door/Area sensor

(D) Proximity sensor

(E) Pressure sensor

(F) Rotary encoder

(G) Connector/Socket

(H) Temp. controller

(I) SSR/Power controller

(J) Counter

(K) Timer

(L) Panel meter

(M) Tacho/Speed/ Pulse meter

(N) Display unit

(O) Sensor controller

(P) Switching mode power supply

(Q) Stepper motor& Driver&Controller

(R) Graphic/Logic panel

(S) Field network device

(T) Software

(U) Other

BEN Series

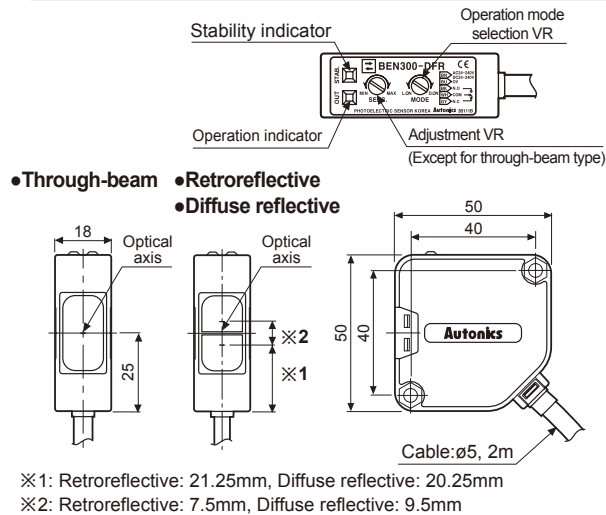
Connections

Through-beam		Retroreflective	Diffuse reflective
<ul style="list-style-type: none"> • BEN10M-TFR1 • BEN10M-TFR2 	<ul style="list-style-type: none"> • BEN5M-MFR(Standard type) • BEN3M-PFR(Built-in polarizing filter) 	<ul style="list-style-type: none"> • BEN300-DFR 	
<ul style="list-style-type: none"> • BEN10M-TDT1 • BEN10M-TDT2 	<ul style="list-style-type: none"> • BEN5M-MDT(Standard type) • BEN3M-PDT(Built-in polarizing filter) 	<ul style="list-style-type: none"> • BEN300-DDT 	

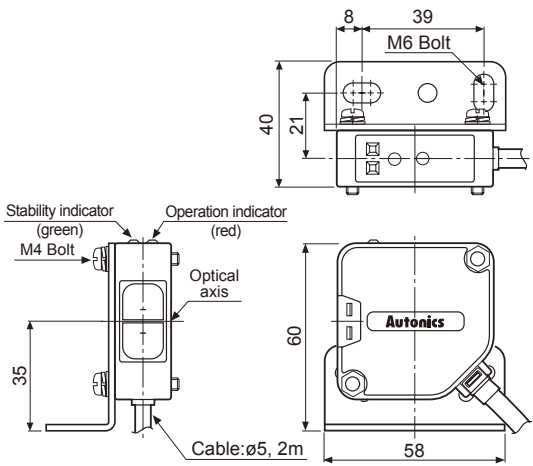
※ Unused line must be insulated.

Dimensions

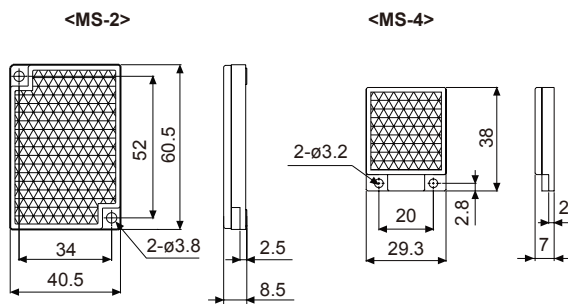
(unit: mm)



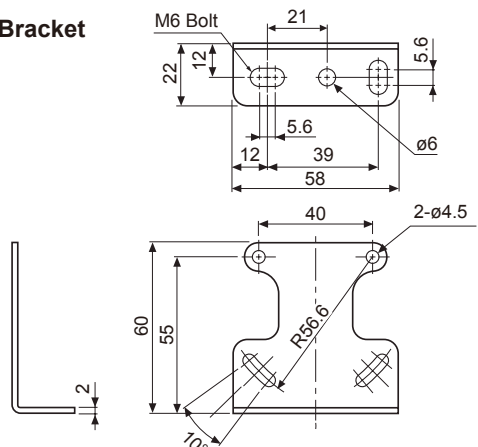
Connect the bracket



Reflector



Bracket

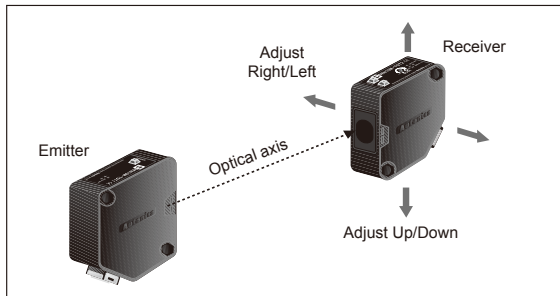


Amplifier Built-in type with Universal voltage

■ Mounting and sensitivity adjustment

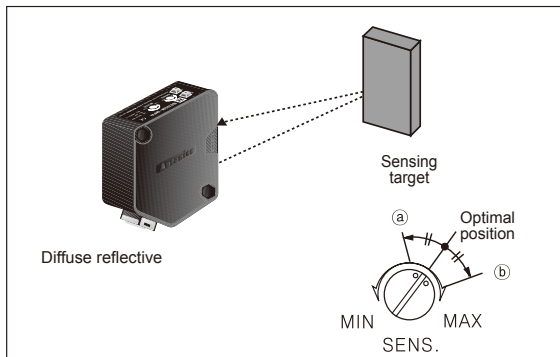
◎ Through-beam type

1. Supply the power to the photoelectric sensor, after setting the emitter and the receiver facing each other.
 2. Set the receiver in center of position in the middle of the stability range of indicator adjusting the receiver or the emitter right and left, up and down.
 3. After adjustment, check the stability of operation putting the object at the optical axis.
- ※If the sensing target is translucent body or smaller than $\phi 16\text{mm}$, it can be missed by sensor cause light penetrate it.



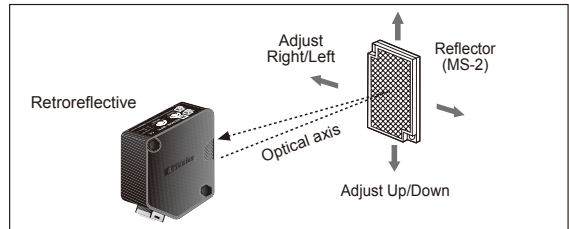
◎ Diffuse reflective type

1. The sensitivity should be adjusted depending on a sensing target or mounting place.
 2. Set the target at a position to be detected by the beam, then turn the adjustment VR until position ㉑ where the operation indicator turns ON from min. position of the adjustment VR.
 3. Take the target out of the sensing area, then turn the adjustment VR until position ㉒ where the the operation indicator turns ON. If the indicator dose not turn ON, max. position is ㉒.
 4. Set the adjustment VR at the center of two switching position ㉑, ㉒.
- ※The sensing distance indicated on specification chart is for 100×100mm of non-glossy white paper. Be sure that it can be different by size, surface and gloss of target.



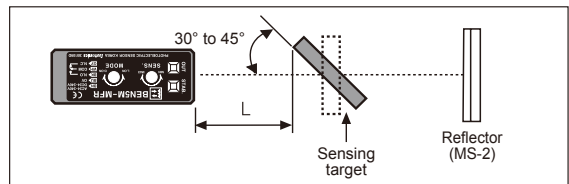
◎ Retroreflective type

1. Supply the power to the photoelectric sensor, after setting the photoelectric sensor and the reflector(MS-2) in face to face.
2. Set the photoelectric sensor in the position which indicator turns on, as adjusting the reflector or the sensor right and left, up and down.
3. Fix both units tightly after checking that the unit detects the target.

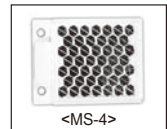


- ※If using more than 2 photoelectric sensors in parallel, the space between them should be more than 30cm.
- ※If reflectance of target is higher than non-glossy white paper, it might cause malfunction by reflection from the target when the target is near to photoelectric sensor. Therefore put enough space between the target and the photoelectric sensor or the surface of the target should be installed at angle of 30° to 45° against optical axis. (When a sensing target with high reflectance near by, photoelectric sensing with the polarizing filter should be used.)

※Sensitivity adjustment: Refer to the diffuse reflective type's.

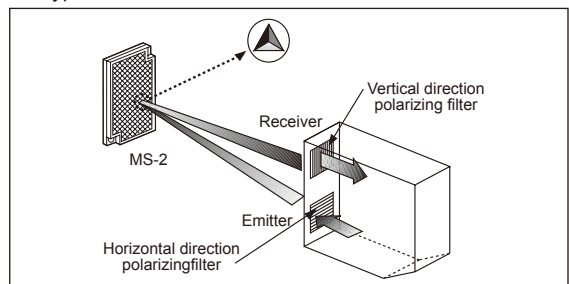


※If the mounting place is too narrow, please use MS-4 instead of MS-2.



◎ Retroreflective type with polarizing filter

The light passed through the polarizing filter of the emitter reaches to the MS-2 reflector converting as horizontal direction. It reaches to the receiver element of polarizing filter converting as vertical by the MS-2 reflector. Therefore, this type can also detect reflective mirror.



(A) Photo electric sensor

(B) Fiber optic sensor

(C) Door/Area sensor

(D) Proximity sensor

(E) Pressure sensor

(F) Rotary encoder

(G) Connector/Socket

(H) Temp. controller

(I) SSR/Power controller

(J) Counter

(K) Timer

(L) Panel meter

(M) Tacho/Speed/Pulse meter

(N) Display unit

(O) Sensor controller

(P) Switching mode power supply

(Q) Stepper motor& Driver&Controller

(R) Graphic/Logic panel

(S) Field network device

(T) Software

(U) Other