



## Items

No.	Description
670027	Workbench with Monitor Bracket
670028	Monitor Bracket

## Specifications

ESD Laminate Table Top Electrical Properties  
(Tested per ANSI/ESD S4.1 and ESD TR53):

Rtt Resistance < 1 x 10<sup>8</sup> ohms

Rtg Resistance < 1 x 10<sup>9</sup> ohms

Table Top Dimensions 36.0" x 24.0"  
(91 cm x 61 cm)

Table Top Height 30" to 36" adjustable  
(76 cm to 91 cm)

Drawer Dimensions 20.0" x 14.5" x 6.0"  
(51 cm x 37 cm x 15 cm)

Weight 190 lbs. (86 kg)

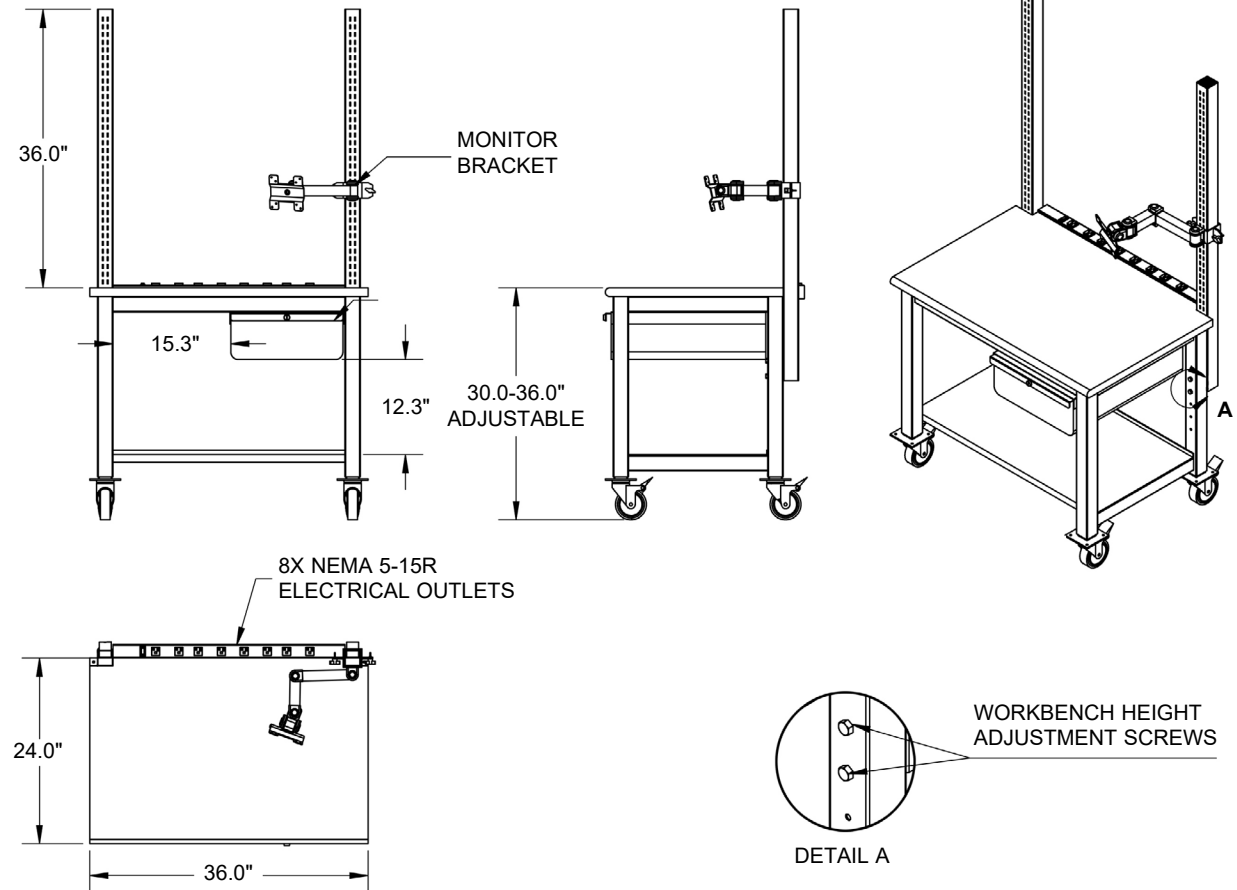
Power Strip Input Voltage 120 VAC @ 60 Hz

Power Cord Length 9.5'

Chassis Powder Coated Steel

Assembly Required Yes

Country of Origin Mexico



All dimensions are in inches unless otherwise specified.  
All dimensions have a tolerance of ±0.5" unless otherwise specified.  
Specifications and procedures are subject to change without notice.

## WORKBENCH, 36" X 24", WITH MONITOR BRACKET

3651 WALNUT AVENUE, CHINO, CA 91710  
PHONE: (909) 664-9980  
WEBSITE: [APR-Rework.com](http://APR-Rework.com)

**DRAWING  
NUMBER**  
670027

**DATE:**  
April  
2020

**APR**