

Site Master™ MS2085A/MS2089A Cable & Antenna Analyzer | Spectrum Analyzer

5 kHz to 4 GHz / 6 GHz

9 kHz to 4 GHz / 6 GHz

Introduction

Anritsu is proud to introduce its eighth generation compact handheld cable and antenna analyzer with spectrum analyzer for installation and maintenance of wireless networks. With frequency coverage up to 6 GHz, the new Site Master MS2085A/89A completely redefines the standards for portable handheld analyzers, setting another new industry benchmark for performance and accuracy. They feature the highest performance and the most capabilities ever offered by Anritsu in a compact handheld tester since introducing its first line sweeper in 1995.

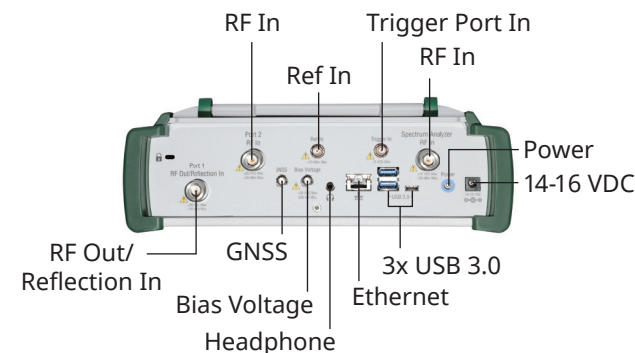
Key features include both traditional swept and real-time spectrum analysis capabilities, IQ capture and streaming, and built-in PDF report generation. The new MS2085A/89A is the culmination of over 60 years of microwave test and measurement equipment development, using the very latest technologies to deliver accuracy and precision in measurements previously reserved only for benchtop instruments.

Spectrum Analyzer Highlights

- 5GNR FDD/TDD FR1 Analyzer
- LTE FDD and TDD Analyzer
- Real-Time Spectrum Analyzer
- Channel Scanner
- Spectrogram
- Gated Sweep
- AM/FM Audio Analysis
- Field Strength
- EIRP
- Occupied Bandwidth
- Channel Power
- High Accuracy Power Measurements (external sensor sold separately)
- Adjacent Channel Power
- Spectral Emissions Mask
- Signal Strength and RSSI
- Carrier Aggregation
- Coverage Mapping in SPA, 5GNR, and LTE
- Interference Finder
- Carrier-to-Interference
- WCDMA Analyzer
- Trace Recording/Playback
- IQ Waveform Capture/Streaming

Cable Antenna Analyzer Highlights

- Calibration Type: OSL, InstaCal™ and FlexCal™
- Calibration Methods: OSL
OSL + Trans (USB Sensor)
OSL + Trans (2-Port)
iOSL
iOSL + Trans (USB Sensor)
iOSL + Trans (2-Port)
Trans (USB Sensor)
Trans (2-Port)
- Reflection Measurements:
Return Loss (RL)
Cable Loss
VSWR
Smith Chart
1-Port Phase
TDR (Ohm/Linear)
Distance-to-Fault (RL, VSWR)
- Transmission Measurements:
Transmission (USB Sensor)
Transmission (2-Port)
- Certified Line Sweeping Training
- Anritsu Remote and Report Tools (ARRT)
- Display: Single or Horizontal Split Measurement
- Built-in PDF Report Generator
- Sweep Speed: 350 μs/data point, fast sweep rate, typical
- Battery Life: Up to 9 hours*



Quick Fact Sheet

Site Master™ MS2085A/MS2089A

Cable & Antenna Analyzer | Spectrum Analyzer

5 kHz to 4 GHz / 6 GHz | 9 kHz to 4 GHz / 6 GHz



Key Specifications

Cable & Antenna Analyzer	
Frequency	5 kHz up to 6 GHz
Sweep Time	350 μs/data point, RF immunity low*
Corrected Directivity	> 40 dB, typical, InstaCal™ Calibration
Spectrum Analyzer	
Frequency	9 kHz up to 6 GHz
Sweep Speed	45 GHz/s (Option 102)
Dynamic Range	>106 dB minimum at 2.4 GHz, 2/3 (TOI-DANL) in 1 Hz RBW
DANL	-167 dBm Typical with Preamp On
Phase Noise	-123 dBc/Hz, 1 GHz, 1 MHz offset, typical
General	
Connectivity	Ethernet, Wi-Fi, USB
Display	10.1-inch capacitive touchscreen, 1280 x 800 resolution
Operating Temperature	-10 °C to 55 °C
Battery Life	9 hours operation*
Dimensions	290 mm x 212 mm x 96 mm (11.4 in x 8.3 in x 3.7 in)
Weight	MS2085A-0804, 0806: 3.1 kg (6.83 lb), without Option 21 MS2085A-0804, 0806: 3.8 kg (8.39 lb) with Option 21 MS2089A-0704, 0804, 0706, 0806: 3.8 kg (8.39 lb) with Option 21

MS2085A Instrument Options

Option Number	Description
MS2085A	Site Master 4 GHz (requires Option 804)
MS2085A	Site Master 6 GHz (requires Option 806)
MS2085A-0804	Cable & Antenna Analyzer, 5 kHz to 4 GHz
MS2085A-0806	Cable & Antenna Analyzer, 5 kHz to 6 GHz
MS2085A-0003*	Time Domain Reflectometry (TDR) Measurement
MS2085A-0017	Secure Communications
MS2085A-0019*	High Accuracy Power Meter (requires USB sensor, sold separately)
MS2085A-0021	2-port Transmission Measurement
MS2085A-0031*	GNSS Receiver (requires GNSS antenna)
MS2085A-xxxx-0097	Accredited Calibration to ISO17025 and ANSI/NCSL Z540-1 (xxxx is the frequency option number)
MS2085A-xxxx-0098	Standard Calibration to ISO17025 and ANSI/NCSL Z540-1 (xxxx is the frequency option number)
MS2085A-xxxx-0099	Premium Calibration to ISO17025 and ANSI/NCSL Z540-1 plus test data (xxxx is the frequency option number)

MS2089A Instrument Options

Option Number	Description
MS2089A	Site Master 4 GHz (requires Option 704 and 804)
MS2089A	Site Master 6 GHz (requires Option 706 and 806)
MS2089A-0704	Spectrum Analyzer, 9 kHz to 4 GHz
MS2089A-0706	Spectrum Analyzer, 9 kHz to 6 GHz
MS2089A-0804	Cable & Antenna Analyzer, 5 kHz to 4 GHz
MS2089A-0806	Cable & Antenna Analyzer, 5 kHz to 6 GHz
MS2089A-0003*	Time Domain Reflectometry (TDR) Measurement
MS2089A-0017	Secure Communications
MS2089A-0019*	High Accuracy Power Meter (requires USB sensor, sold separately)
MS2089A-0021*	2-port Transmission Measurement
MS2089A-0024*	Interference Finder (Option 31 and directional antenna recommended)
MS2089A-0027*	Channel Scanner
MS2089A-0031*	GNSS Receiver (requires GNSS antenna)
MS2089A-0090*	Gated Sweep
MS2089A-0102*	40 MHz Analysis Bandwidth
MS2089A-0126*	IQ Waveform Capture (includes MX280005A IQ Signal Master base feature set)
MS2089A-0127*	IQ Waveform Streaming (includes MX280005A IQ Signal Master base feature set (requires Option 126)
MS2089A-0128*	Vector Signal Analysis Enabled (requires Option 126)
MS2089A-0199*	Real-Time Spectrum Analysis (RTSA)
MS2089A-0400*	Vision Monitor Enabled
MS2089A-0407*	Vision High-Speed Port Scanner Enabled
MS2089A-0431*	Coverage Mapping (requires Option 31)
MS2089A-0444*	EMF Measurement
MS2089A-0509*	AM/FM Modulation Measurements
MS2089A-0871*	WCDMA FDD Measurements
MS2089A-0883*	LTE FDD/TDD Measurements (requires Option 31)
MS2089A-0888*	5G NR Downlink Measurements (requires Option 31)
MS2089A-xxxx-0097	Accredited Calibration to ISO17025 and ANSI/NCSL Z540-1 (xxxx is the frequency option number)
MS2089A-xxxx-0098	Standard Calibration to ISO17025 and ANSI/NCSL Z540-1 (xxxx is the frequency option number)
MS2089A-xxxx-0099	Premium Calibration to ISO17025 and ANSI/NCSL Z540-1 plus test data (xxxx is the frequency option number)

* Refer to the Technical Data Sheet for full specifications and information on ordering time limited options.