

VNA Master™

Handheld Vector Network Analyzer + Spectrum Analyzer

| | | | | |
|------------------|------------------|------------------|------------------|-------------------------|
| MS2024B | MS2034B | MS2025B | MS2035B | |
| 500 kHz to 4 GHz | 500 kHz to 4 GHz | 500 kHz to 6 GHz | 500 kHz to 6 GHz | Vector Network Analyzer |
| | 100 kHz to 4 GHz | | 100 kHz to 6 GHz | + Spectrum Analyzer |

The Affordable, Handheld Vector Network + Spectrum Analyzer for Cable, Antenna and Signal Analysis Anytime, Anywhere

Introduction

Anritsu introduces the MS202xB/3xB VNA Master + Spectrum Analyzer, the industry’s most affordable and compact handheld solution to address cable, antenna, component and signal analysis needs in the field. Models MS2024/25B VNA Masters bring the error-correction power of S-parameter measurements to make more precise field diagnostics. With frequency coverage from 500 kHz to 4/6 GHz. in a truly handheld, battery-operated, rugged multi-function instrument, it also provides a field-friendly touch-screen user interface.

MS2034/35B models include a powerful spectrum analyzer which multiplies user convenience by combining both a VNA and a separate spectrum analyzer into a single measurement powerhouse for the harsh RF and physical environments of field test. Whether it is for spectrum monitoring, broadcast proofing, interference analysis, RF and microwave measurements, regulatory compliance, or 3G/4G, Land Mobile Radio, and wireless data network measurements, this VNA/Spectrum Analyzer combination is the ideal instrument to making fast and reliable measurements in the field.



Performance and Functional Highlights

VNA Master

- Broadband coverage of 500 kHz to 4/6 GHz
- 1-path, 2-port Vector Network Analyzer
- Intuitive Graphical User Interface (GUI) with convenient Touch Screen
- VNA-quality error correction for directivity and source match
- 2-port Transmission Measurements: High/Low Power
- Outstanding calibration stability, up to 16 hours
- User-defined overlays for viewing multiple S-Parameters
- Arbitrary data points up to 4001
- IF Bandwidth selections of 10 Hz to 100 kHz
- 100 dB Transmission Dynamic Range
- 850 μ s/data point sweep speed
- Greater than 3 hour battery life
- USB & (Optional) Ethernet for data transfer and instrument control
- User-selectable menu options: Chose either VNA or simplified Cable & Antenna
- Automate repetitive tasks via optional Ethernet & USB
- Field Upgradable Firmware
- Store more than 4000 traces and setups in memory
- Portable: 7.6 lbs (3.5 kg)
- Full Speed USB Memory support
- High resolution daylight viewable TFT color display
- "Glove Friendly" Resistive Touch-Screen Display
- Distance Domain Option, supports optical DTF module
- Internal Bias Tee Option
- Vector Voltmeter Option, ideal for cable phase matching
- High Accuracy Power Meter Option
- GPS Receiver Option
- Polar Format Impedance Display
- Complies with MIL-PRF-28800F Class 2 specification

VNA Master + Spectrum Analyzer

All of the above VNA features, PLUS:

- Measure: Occupied Bandwidth, Channel Power, ACPR, C/I
- Interference Analyzer: Spectrogram, Signal Strength, RSSI, Signal ID
- Dynamic Range: > 95 dB in 10 Hz RBW
- DANL: -162 dBm in 1 Hz RBW
- Phase Noise: -100 dBc/Hz max @ 10 kHz offset at 1 GHz
- Frequency Accuracy: < \pm 50 ppb with GPS On
- Traces: Normal, Max Hold, Min Hold, Average, # of Averages
- Detectors: Peak, Negative, Sample, Quasi-peak, and true RMS
- Markers: 6, each with a Delta Marker, or 1 Reference with 6 Deltas
- Limit Lines: up to 41 segments with one-button envelope creation
- Trace Save-on-Event: crossing limit line or sweep complete
- Option to automatically optimize sweep-RBW-VBW tradeoff for best possible display
- AM/FM/SSB Audio-only Demodulation
- Optional AM/FM/PM Demodulation Analyzer
- Store 2000 traces internally
- Channel Scanner Option
- GPS tagging of stored traces
- Internal Preamplifier standard
- High Accuracy Power Meter Option
- Coverage Mapping Option

VNA Master Functional Specifications

Definitions

- All specifications and characteristics apply under the following conditions, unless otherwise stated:
- After 15 minutes of warm-up time in VNA mode, where the instrument is left in the ON state.
- Temperature range is $23\text{ }^{\circ}\text{C} \pm 5\text{ }^{\circ}\text{C}$.
- All specifications apply when using internal reference.
- All specifications subject to change without notice. Please visit www.anritsu.com for most current data sheet.
- Typical performance is the measured performance of an average unit.
- Recommended calibration cycle is 12 months.

Frequency

| | | |
|-----------------------------|-------------|------------------|
| VNA Master Frequency Range: | MS2024/34B | 500 kHz to 4 GHz |
| | MS2025/35B: | 500 kHz to 6 GHz |
| Frequency Accuracy: | 2.5 ppm | |
| Frequency Resolution: | 1 Hz | |

Typical Test Port Power

VNA Master supports selection of either High (default) or Low test port power. Changing power after calibration can degrade the calibrated performance. Typical power by bands is shown in the following table.

| Frequency Range (GHz) | High Port Power (dBm) | Low Port Power (dBm) |
|-------------------------|-----------------------|----------------------|
| 500 kHz to \leq 3 GHz | +3 | -25 dBm |
| 3 GHz to \leq 6 GHz | 0 | -25 dBm |

Transmission Dynamic Range

The transmission dynamic range (the difference between test port power and noise floor) using 10 Hz IF Bandwidth and High Port Power is shown in the following table.

| Frequency Range (GHz) | Dynamic Range (dB) |
|-----------------------|--------------------|
| 2 MHz to \leq 4 GHz | 100 |
| 4 GHz to \leq 6 GHz | 90 |

Typical Sweep Speed

The typical sweep speed for IF Bandwidth of 100 kHz, 1001 data points, and single display is shown in the following table. The two receiver architecture will simultaneously collect S_{21} and S_{11} in a single sweep.

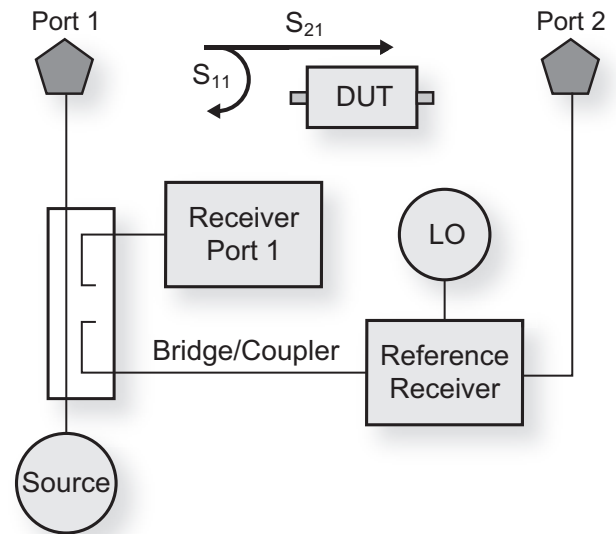
| Frequency Range (GHz) | Typical Sweep Speed ($\mu\text{s}/\text{point}$) |
|-----------------------|--|
| 500 kHz to 6 GHz | 850 |

Interference Immunity

| | |
|--------------|--|
| On-Channel | +17 dBm @ $>$ 1.0 MHz from carrier frequency |
| On-Frequency | 0 dBm within \pm 10 kHz of the carrier frequency |

Block Diagram

As shown in the following block diagram, the VNA Master has a 2-port, 1-path architecture that automatically measures 2 S-parameters with error-correction precision inherent to VNA operation.



The above illustration is a simplified block diagram of VNA Master's 2-port, 1-path architecture. The magnitude AND phase information gained from Vector Network data enables the VNA Master to make significant error corrections and provide improved field measurements.

High Port Power

OSLxx50 Calibration Components (N-Connector)
 Corrected System Performance and Uncertainties:
 MS202xB/3xB with 1-path, 2-port calibration including isolation
 using either OSLN50-1 & OSLNF50-1 Calibration Kits



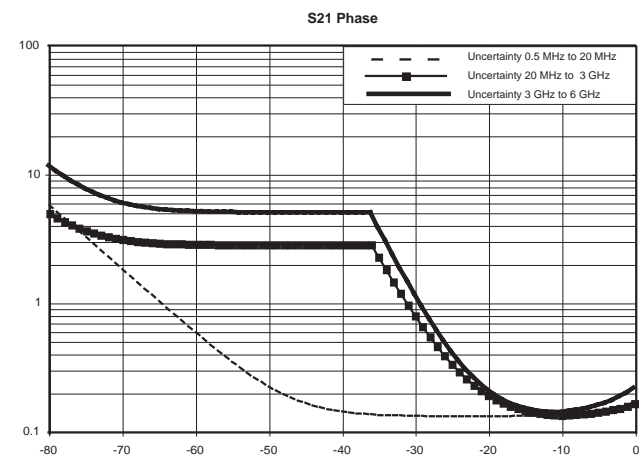
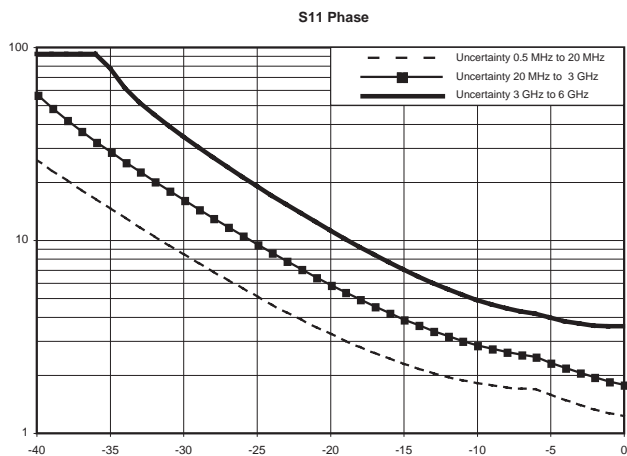
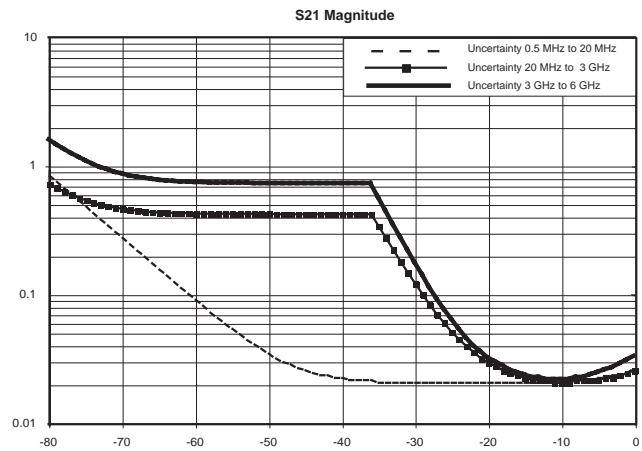
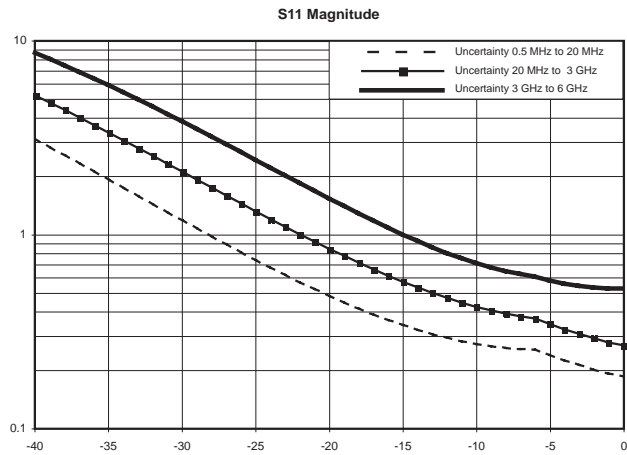
Precision calibration standards come in a convenient configuration for field work.

| Frequency Range (GHz) | Directivity (dB) |
|-----------------------|------------------|
| ≤ 6 | > 42 |

| Frequency Range (GHz) | Typical High Port Power (dBm) |
|-----------------------|-------------------------------|
| ≤ 3 | +3 |
| ≤ 6 | 0 |

Measurement Uncertainties

The following graphs provide measurement uncertainty at 23 °C ± 5 °C for the above indicated connector type and calibration. Errors are worst-case contributions of residual directivity, source match, frequency response, network analyzer dynamic range, and connector repeatability. For two-port measurements, transmission tracking, crosstalk, and physical load match termination were added. Isolation calibration and an IF Bandwidth of 10 Hz is used.



Low Port Power

OSLxx50 Calibration Components (N-Connectors)
 Corrected System Performance and Uncertainties:
 MS202xB/3xB Model with 1-path, 2-port calibration
 including isolation using either OSLN50-1 or OSLNF50-1
 Calibration Kits.

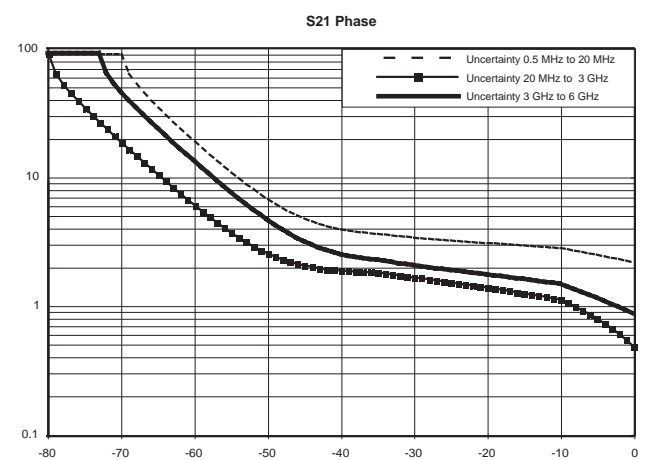
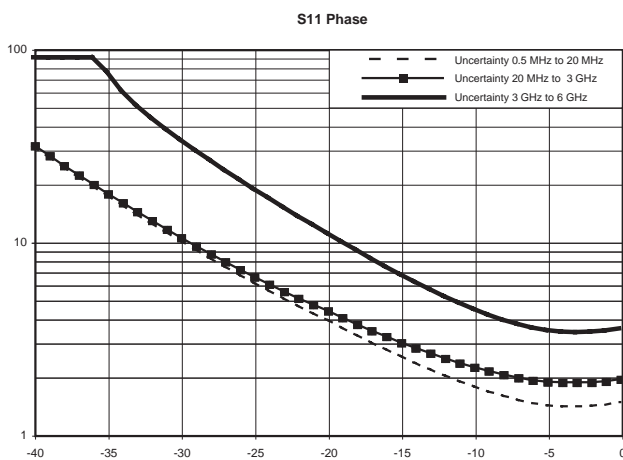
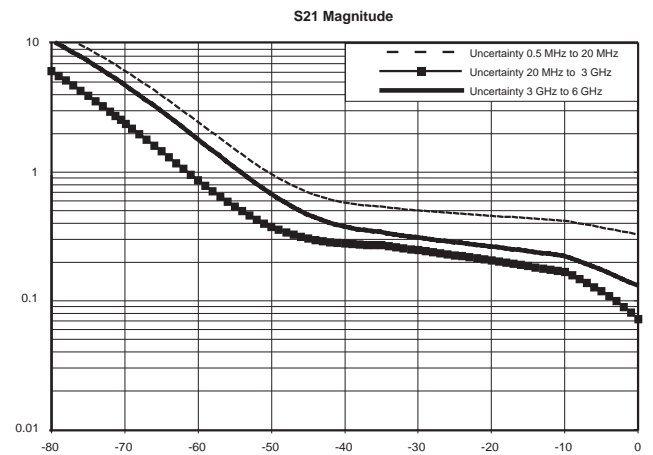
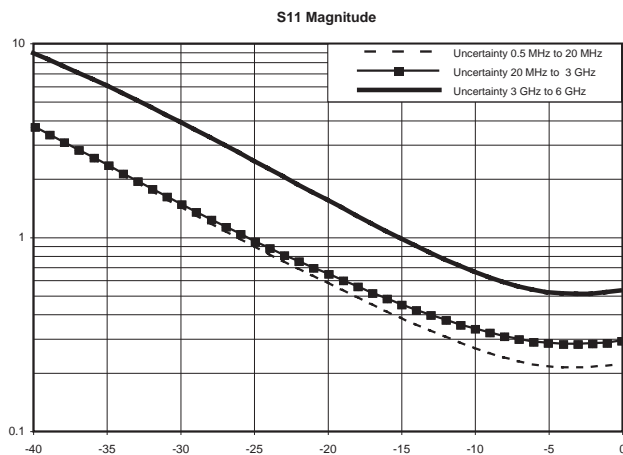


| Frequency Range (GHz) | Directivity (dB) |
|-----------------------|------------------|
| ≤ 6 | > 42 |

| Frequency Range (GHz) | Typical Low Port Power (dBm) |
|-----------------------|------------------------------|
| ≤ 3 | -25 |
| ≤ 6 | -25 |

Measurement Uncertainties

The following graphs provide measurement uncertainty at $23\text{ }^{\circ}\text{C} \pm 5\text{ }^{\circ}\text{C}$ for the above indicated connector type and calibration. Errors are worst-case contributions of residual directivity, source match, frequency response, network analyzer dynamic range, and connector repeatability. For two-port measurements, transmission tracking, crosstalk, and physical load match termination were added. Isolation calibration and an IF Bandwidth of 10 Hz is used.



+ Spectrum Analyzer Functional Specifications (Models MS2034/35B only)

| | | | | |
|---|--|----------|--|----------|
| Frequency | | | | |
| Frequency Range: | MS2034B: 100 kHz to 4 GHz, (usable to 0 Hz) MS2035B: 100 kHz to 6 GHz, (usable to 0 Hz) | | | |
| Tuning Resolution | 1 Hz | | | |
| Frequency Reference | Aging: ± 1.0 ppm/year Accuracy: ± 1.5 ppm ($25\text{ }^{\circ}\text{C} \pm 25\text{ }^{\circ}\text{C}$) + aging < ± 50 ppb with GPS on | | | |
| Frequency Span | MS2034B: 10 Hz to 4 GHz including zero span MS2035B: 10 Hz to 6 GHz including zero span | | | |
| Sweep Time | Minimum 100 ms, 10 μs to 600 seconds in zero span | | | |
| Sweep Time Accuracy | $\pm 2\%$ in zero span | | | |
| Bandwidth | | | | |
| Resolution Bandwidth (RBW) | 10 Hz to 3 MHz in 1–3 sequence $\pm 10\%$ (1 MHz max in zero-span) (–3 dB bandwidth) | | | |
| Video Bandwidth (VBW) | 1 Hz to 3 MHz in 1–3 sequence (–3 dB bandwidth) (auto or manually selectable) | | | |
| RBW with Quasi-Peak Detection | 200 Hz, 9 KHz, 120 kHz (–6 dB bandwidth) | | | |
| VBW with Quasi-Peak Detection | Auto VBW is On, RBW/VBW = 1 | | | |
| Spectral Purity | | | | |
| SSB Phase Noise @ 1 GHz | –100 dBc/Hz, –110 dBc/Hz typical @ 10 kHz offset –105 dBc/Hz, –112 dBc/Hz typical @ 100 kHz offset –115 dBc/Hz, –121 dBc/Hz typical @ 1 MHz offset | | | |
| Amplitude Ranges | | | | |
| Dynamic Range | > 95 dB (2.4 GHz), 2/3 (TOI-DANL) in 10 Hz RBW | | | |
| Measurement Range | DANL to +26 dBm | | | |
| Maximum Continuous Input | +35 dBm | | | |
| Display Range | 1 to 15 dB/div in 1 dB steps, ten divisions displayed | | | |
| Reference Level Range | –120 dBm to +30 dBm | | | |
| Attenuator Resolution | 0 to 55 dB, 5.0 dB steps | | | |
| Amplitude Units | Log Scale Modes: dBm, dBV, dBmV, dB μ V Linear Scale Modes: nV, μ V, mV, V, kV, nW, μ W, mW, W, kW | | | |
| Amplitude Accuracy (single sine wave input < Ref level, and > DANL, auto attenuation) | | | | |
| –10 $^{\circ}\text{C}$ to 50 $^{\circ}\text{C}$ after 30 minute warm-up | Typical: ± 0.5 dB, 100 kHz to 6 GHz Maximum: ± 1.3 dB, 100 kHz to 6 GHz | | | |
| Displayed Average Noise Level (DANL) | Preamp Off (Reference level –20 dBm) | | Preamp On (Reference level –50 dBm) | |
| | (RBW Normalized to 1 Hz, 0 dB attenuation) | Maximum | Typical | Maximum |
| 10 MHz to 2.4 GHz | –141 dBm | –146 dBm | –157 dBm | –162 dBm |
| >2.4 GHz to 4 GHz | –137 dBm | –141 dBm | –154 dBm | –159 dBm |
| >4 GHz to 5 GHz | –134 dBm | –138 dBm | –150 dBm | –155 dBm |
| > 5 GHz to 6 GHz | –126 dBm | –131 dBm | –143 dBm | –150 dBm |
| (RBW = 10 Hz, 0 dB attenuation) | | | | |
| 10 MHz to 2.4 GHz | –131 dBm | –136 dBm | –147 dBm | –152 dBm |
| >2.4 GHz to 4 GHz | –127 dBm | –131 dBm | –144 dBm | –149 dBm |
| >4 GHz to 5 GHz | –124 dBm | –128 dBm | –140 dBm | –145 dBm |
| > 5 GHz to 6 GHz | –116 dBm | –121 dBm | –133 dBm | –140 dBm |
| Spurs | | | | |
| Residual Spurious | <–90 dBm (RF input terminated, 0 dB input attenuation, > 10 MHz) | | | |
| Input-Related Spurious | <–75 dBc (0 dB attenuation, –30 dBm input, span < 1.7 GHz, carrier offset >4.5 MHz) | | | |
| Exceptions, typical | <–70 dBc @ <2.5 GHz, with 2072.5 MHz Input <–68 dBc @ F1-280 MHz with F1 Input <–70 dBc @ F1 + 190.5 MHz with F1 Input <–52 dBc @ 7349-2F2 MHz, with F2 Input, where F2 < 2424.5 MHz <–55 dBc @ 190.5 \pm F1/2 MHz, F1 < 1 GHz | | | |
| Third-Order Intercept (TOI) | Preamp Off (–20 dBm tones 100 kHz apart, 10 dB attenuation) | | | |
| 800 MHz | +16 dBm | | | |
| 2400 MHz | +20 dBm | | | |
| 200-2200 MHz | +25 dBm, typical | | | |
| >2.2 GHz to 5.0 GHz | +28 dBm, typical | | | |
| >5.0 GHz to 6.0 GHz | +33 dBm, typical | | | |
| Second Harmonic Distortion | Preamp Off, 0 dB input attenuation, –30 dBm input | | | |
| 50 MHz | –56 dBc | | | |
| >50 MHz to 200 MHz | –60 dBc, typical | | | |
| >200 MHz to 3000 MHz | –70 dBc, typical | | | |
| VSWR | 2:1, typical | | | |

VNA Performance Capabilities

| | |
|-------------------------------------|---|
| Measurement Parameters | S_{11} , S_{21} |
| Number of Traces | Four: TR1, TR2, TR3, TR4 |
| Trace Format | Single, Dual, Tri, Quad. When used with Number of Traces, overlays are possible including a Single Format with Four trace overlays. |
| Graph Types | Log Magnitude SWR Phase Real Imaginary Group Delay Smith Chart Log Mag / 2 (1-Port Cable Loss) Linear Polar Log Polar Real Impedance Imaginary Impedance |
| Domains | Frequency Domain, Distance Domain |
| Frequency | Start Frequency, Stop Frequency, Center Frequency, Span |
| Distance | Start Distance, Stop Distance |
| Frequency Sweep Type: Linear | Single Sweep, Continuous |
| Data Points | 2 to 4001 (arbitrary setting); data points can be reduced without recalibration. |
| Limit Lines | Upper, Lower, 10 segmented Upper, 10 segmented Lower |
| Test Limits | Pass/Fail for Upper, Pass/Fail for Lower, Limit Audible Alarm |
| Data Averaging | Sweep-by-sweep |
| Smoothing | 0 to 20% |
| IF Bandwidth | 10, 20, 50, 100, 200, 500, 1 k, 2 k, 5 k, 10 k, 20 k, 50 k, 100 k (Hz) |
| Reference Plane | The reference planes of a calibration (or other normalization) can be changed by entering a line length. Assumes no loss, flat magnitude, linear phase, and constant impedance. |
| Auto Reference Plane Extension | Instead of manually entering a line length, this feature automatically adjusts phase shift from the current calibration (or other normalization) to compensate for external cables (or test fixtures). Assumes no loss, flat magnitude, linear phase, and constant impedance. |
| Frequency Range | Frequency range of the measurement can be narrowed within the calibration range without recalibration. |
| Group Delay Aperture | Defined as the frequency span over which the phase change is computed at a given frequency point. The aperture can be changed without recalibration. The minimum aperture is the frequency range divided by the number of points in calibration and can be increased to 20% of the frequency range. |
| Group Delay Range | < 180° of phase change within the aperture |
| Trace Memory | A separate memory for each trace can be used to store measurement data for later display. The trace data can be saved and recalled. |
| Trace Math | Complex trace math operations of subtraction, addition, multiplication, or division are provided. |
| Number of Markers | Eight, arbitrary assignments to any trace |
| Marker Types | Reference, Delta |
| Marker Readout Styles | Log Mag, Cable Loss (Log Mag / 2), Log Mag and Phase, Phase, Real and Imaginary, SWR, Impedance, Admittance, Normalized Impedance, Normalized Admittance, Polar Impedance, and Group Delay |
| Marker Search | Peak Search, Valley Search, Find Marker Value |
| Correction Models | Full S_{11} , 1-Path, 2-Port (S_{11} & S_{21}), Response S_{11} , Response S_{21} |
| Calibration Methods | Short-Open-Load-Through (SOLT) |
| Calibration Standards' Coefficients | Coax: N-Connector, K-Connector, 7/16, TNC, SMA, and four User Defined |
| Cal Correction Toggle | On/Off |
| Impedance Conversion | Support for 50 Ω and 75 Ω are provided. |
| Units | Meters, Feet |
| Bias Tee Settings | Internal, Off |
| Timebase Reference | Internal |
| File Storage Types | Measurement, Setup (with CAL), Setup (without CAL), S2P (Real/Imag), S2P (Lin Mag/Phase), S2P (Log Mag/Phase), JPEG |
| Ethernet Configuration | DHCP or Manual (Static); IP, Gateway, Subnet entries |
| Languages | English, French, German, Spanish, Chinese, Japanese, Korean, Italian, plus two User Defined |

+ Spectrum Analyzer Performance Capabilities (Models MS2034/35B only)

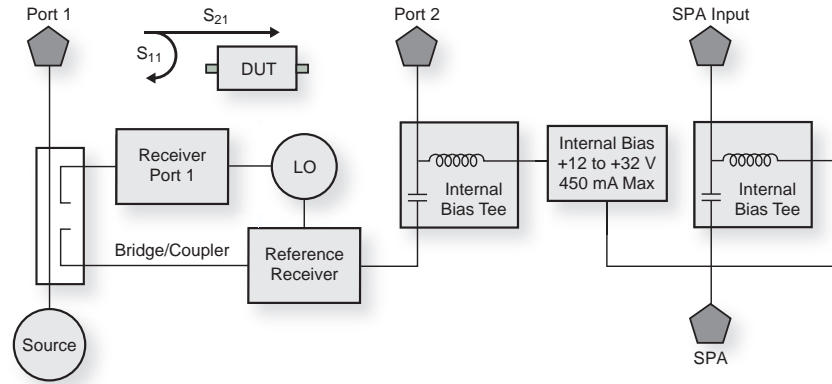
| | |
|----------------------|--|
| Measurements | |
| Smart Measurements | Field Strength (uses antenna calibration tables to measure dBm/m ² or dBmV/m) Occupied Bandwidth (measures 99% to 1% power channel of a signal) Channel Power (measures the total power in a specified bandwidth) ACPR (adjacent channel power ratio) AM/FM/SSB Demodulation (wide/narrow FM, upper/lower SSB), (audio out only) C/I (carrier-to-interference ratio) Emission Mask Coverage Mapping (requires option 0431) |
| Setup Parameters | |
| Frequency | Center/Start/Stop, Span, Frequency Step, Signal Standard, Channel #, Channel Increment |
| Amplitude | Reference Level (RL), Scale, Attenuation Auto/Level, RL Offset, Pre-Amp On/Off, Detection |
| Span | Span, Span Up/Down (1-2-5), Full Span, Zero Span, Last Span |
| Bandwidth | RBW, Auto RBW, VBW, Auto VBW, RBW/VBW, Span/RBW |
| File | Save, Recall, Delete, Directory Management |
| Save/Recall | Setups, Measurements, Limit Lines, Screen Shots Jpeg (save only), Save-on-Event |
| Save-on-Event | Crossing Limit Line, Sweep Complete, Save-then-Stop, Clear All |
| Delete | Selected File, All Measurements, All Mode Files, All Content |
| Directory Management | Sort Method (Name/Type/Date), Ascend/Descend, Internal/USB, Copy, Format USB |
| Application Options | Bias-Tee (On/Off), Impedance (50 Ω, 75 Ω, Other) |
| Sweep Functions | |
| Sweep | Single/Continuous, Manual Trigger, Reset, Detection, Minimum Sweep Time, Trigger Type |
| Detection | Peak, RMS, Negative, Sample, Quasi-peak |
| Triggers | Free Run, External, Video, Change Position, Manual |
| Trace Functions | |
| Traces | Up to three Traces (A, B, C), View/Blank, Write/Hold, Trace A/B/C Operations |
| Trace A Operations | Normal, Max Hold, Min Hold, Average, # of Averages, (always the live trace) |
| Trace B Operations | A→B, B↔C, Max Hold, Min Hold |
| Trace C Operations | A→C, B↔C, Max Hold, Min Hold, A – B→C, B – A→C, Relative Reference (dB), Scale |
| Marker Functions | |
| Markers | Markers 1-6 each with a Delta Marker, or Marker 1 Reference with Six Delta Markers, Marker Table (On/Off), All Markers Off |
| Marker Types | Style (Fixed/Tracking), Noise Marker, Frequency Counter Marker Marker Auto-Position Peak Search, Next Peak (Right/Left), Peak Threshold %, Set Marker to Channel, Marker Frequency to Center, Delta Marker to Span, Marker to Reference Level |
| Marker Table | 1-6 markers frequency and amplitude plus delta markers frequency offset and amplitude |
| Limit Line Functions | |
| Limit Lines | Upper/Lower, On/Off, Edit, Move, Envelope, Advanced, Limit Alarm, Default Limit |
| Limit Line Edit | Frequency, Amplitude, Add Point, Add Vertical, Delete Point, Next Point Left/Right |
| Limit Line Move | To Current Center Frequency, By dB or Hz, To Marker 1, Offset from Marker 1 |
| Limit Line Envelope | Create Envelope, Update Amplitude, Number of Points (41 max), Offset, Shape Square/Slope |
| Limit Line Advanced | Type (Absolute/Relative), Mirror, Save/Recall |

Measurement Options Specifications

Bias Tee (Option 0010)

For tower mounted amplifier tests, the MS202xB/3xB series with optional internal bias tees can supply both DC and RF signals on the center conductor of the cable during measurements. For frequency sweeps in excess of 2 MHz, the VNA Master can supply internal voltage control from +12 to +32 V in 0.1 V steps up to 450 mA. Bias can be directed to VNA Port 2.

| | |
|--------------------------|--|
| Frequency Range | 2 MHz to 4 GHz (MS20x4B) 2 MHz to 6 GHz (MS20x5B) |
| Internal Voltage/Current | +12V to +32V at 450 ma. Steady state |
| Internal Resolution | 0.1V |
| Bias Tee Selections | Internal, Off |



The Compact VNA Master offers optional integrated bias tee for supplying DC plus RF to the DUT as shown in this simplified block diagram. .

Vector Voltmeter (Option 0015)

A phased array system relies on phase matched cables for nominal performance. For this class of application, the VNA Master offers this special software mode to simplify phase matching cables at a single frequency. The similarity between the popular vector voltmeter and this software mode ensures minimal training is required to phase match cables. Operation is as simple as configuring the display for absolute or relative measurements. The easy-to-read large fonts show either reflection or transmission measurements using impedance, magnitude, or VSWR readouts. For instrument landing system (ILS) or VHF Omni-directional

Range (VOR) applications, a table view improves operator efficiency when phase matching up to twelve cables. The MS202x/3xB solution is superior because the signal source is included internally, precluding the need for an external signal generator

| | |
|---------------------|--|
| CW Frequency Range | 500 kHz to 4/6 GHz |
| Measurement Display | CW, Table (Twelve Entries, Plus Reference) |
| Measurement Types | Return Loss, Insertion |
| Measurement Format | dB/VSWR/Impedance |

High Accuracy Power Meter (Option 0019) Requires external USB power sensor.

Conduct precise measurements of CW and digitally modulated transmitters in the field using this VNA Master software mode with a separately purchased Anritsu USB power sensor. After specifying the center frequency and zeroing the sensor to ensure accuracy at low power levels, the software offers intuitive operation for absolute and relative readouts in dBm or Watts.

Option 0019 supports the USB Power Sensors in the following table.

USB Power Sensors (Ordered separately):

| | PSN50 | MA24104A | MA24106A | MA24108A | MA24118A | MA24126A |
|---|--|---|--|---|---|---|
| Frequency Range: | 50 MHz to 6 GHz | 600 MHz to 4 GHz | 50 MHz to 6 GHz | 10 MHz to 8 GHz | 10 MHz to 18 GHz | 10 MHz to 26.5 GHz |
| Description | High Accuracy RF Power Sensor | Inline High Power Sensor | High Accuracy RF Power Sensor | Microwave USB Power Sensor | Microwave USB Power Sensor | Microwave USB Power Sensor |
| Connector | Type N, male, 50 Ω | Type N, female, Ω | Type N, male, 50 Ω | Type N, male, 50 Ω | Type N, male, 50 Ω | Type N, male, 50 Ω |
| Dynamic Range: | -30 dBm to +20 dBm (0.001 mW to 100 mW) | +3 dBm to +51.76 dBm (2 mW to 150 W) | -40 dBm to +23 dBm (0.1 μW to 200 mW) | -40 dBm to +20 dBm (0.1 μW to 100 mW) | -40 dBm to +20 dBm (0.1 μW to 100 mW) | -40 dBm to +20 dBm (0.1 μW to 100 mW) |
| VBW | 100 Hz | 100 Hz | 100 Hz | 50 kHz | 50 kHz | 50 kHz |
| Measurand: | True-RMS | True-RMS | True-RMS | True-RMS, Slot Power, Burst Average Power | True-RMS, Slot power, Burst Average power | True-RMS, Slot power, Burst Average power |
| Measurement Uncertainty | ± 0.16 dB ¹ | ± 0.17 dB ² | ± 0.16 dB ¹ | ± 0.18 dB ³ | ± 0.18 dB ³ | ± 0.18 dB ³ |
| Datasheet for Additional Specifications | 11410-00414 | 11410-00483 | 11410-00424 | 11410-00504 | 11410-00504 | 11410-00504 |

Notes:

- 1) Total RSS measurement uncertainty (0 °C to 50 °C) for power measurements of a CW signal greater than -20 dBm with zero mismatch errors
- 2) Expanded uncertainty with K=2 for power measurements of a CW signal greater than +20 dBm with a matched load. Measurement results referenced to the input side of the sensor.
- 3) Expanded uncertainty with K=2 for power measurements of a CW signal greater than -20 dBm with zero mismatch errors

Interference Analyzer (Option 0025) (Models 2034/35B only) (Recommend GPS)

| | |
|---------------------|--|
| Measurements | Spectrum Field Strength Occupied Bandwidth Channel Power Adjacent Channel Power (ACPR) AM/FM/SSB Demodulation (Wide/Narrow FM, Upper/Lower SSB), (audio out only) Carrier-to-Interference ratio (C/I) Spectrogram (Collect data up to one week) Signal Strength (Gives visual and aural indication of signal strength) Received Signal Strength Indicator (RSSI) (collect data up to one week) Gives visual and aural indication of signal strength Signal ID (up to 12 signals) Center Frequency Bandwidth Signal Type (FM, GSM, W-CDMA, CDMA, Wi-Fi) Closest Channel Number Number of Carriers Signal-to-Nose Ratio (SNR) > 10 dB Interference Mapping |
| Application Options | Impedance (50 Ω, 75 Ω, Other) |

Channel Scanner (Option 0027) (Models MS2034/35B only)

| | |
|---------------------|--|
| Number of Channels | 1 to 20 Channels (Power Levels) |
| Measurements | Graph/Table, Max Hold (On/5 sec/Off), Frequency/Channel, Current/Maximum, Dual Color |
| Scanner | Scan Channels, Scan Frequencies, Scan Customer List, Scan Script Master™ |
| Amplitude | Reference Level, Scale |
| Custom Scan | Signal Standard, Channel, # of Channels, Channel Step Size, Custom Scan |
| Frequency Range | 500 kHz to 4 GHz (MS2034B) 500 kHz to 6 GHz (MS2035B) |
| Frequency Accuracy | ± 10 Hz + Time base error |
| Measurement Range | -110 dBm to +26 dBm |
| Application Options | Bias-Tee (On/Off), Impedance (50 Ω, 75 Ω, Other) |

GPS (Option 0031) Requires external GPS antenna

Built-in GPS provides location information (latitude, longitude, altitude) and Universal Time (UT) information for storage along with trace data so you can later verify that measurements were taken at the right location. The GPS option requires a separately ordered magnet mount GPS antenna (2000-1528-R or 2000-1652-R), which are configured to mount outside on a metallic surface. Frequency accuracy is enhanced for the Spectrum Analyzer when Options 0025 Interference Analyzer and 0027 Channel Scanner are engaged.

| | |
|--|--|
| Setup | On/Off, Antenna Voltage 3.3/5.0 V, GPS Info |
| GPS Time/Location Indicator | Time, Latitude, Longitude and Altitude on display Time, Latitude, Longitude and Altitude with trace storage |
| High Frequency Accuracy | Spectrum Analyzer, Interference Analyzer when GPS Antenna is connected < ± 50 ppb with GPS On, 3 minutes after satellite lock in selected mode |
| GPS Lock – after antenna is disconnected | < ± 50 ppb for 3 days, 0 °C to 50 °C ambient temperature |
| Connector | SMA, female |

Distance Domain (Option 0501)

Distance-to-Fault Analysis is a powerful field test tool to analyze cables for faults, including minor discontinuities that may occur due to a loose connection, corrosion, or other aging effects. By using Frequency Domain Reflectometry (FDR), the Compact VNA Master exploits a user-specified band of full power operational frequencies (instead of DC pulses from TDR approaches) to more precisely identify discontinuities. The Compact VNA Master converts S-parameters from frequency domain into distance domain on the horizontal display axis, using a mathematical computation called Inverse Fourier Transform. Connect a reflection at the opposite end of the cable and the discontinuities appear versus distance to reveal any potential maintenance issues. When access to both ends of the cable is convenient, a similar distance domain analysis is available on transmission measurements.

Option 0501 Distance Domain will improve your productivity with displays of the cable in terms of discontinuities versus distance. This readout can then be compared against previous measurements (from stored data) to determine whether any degradations have occurred since installation (or the last maintenance activity). More importantly, you will know precisely where to go to fix the problem and so minimize or prevent downtime of the system.

Option 0501 Distance Domain also supports field measurements for optical fiber diagnostics. Anritsu Model ODTF-1 test module (see page 15) works directly with RF techniques and converts optical DTF signals to display on the VNA Master.

Ethernet Connectivity (Option 0411)

By enabling the Compact VNA Master to communicate with PCs via Ethernet, you gain the ability to operate automated testing from your PC, or conversely, to upload data from field test to the PC.

AM/FM/PM Demodulation Analyzer, (Option 0509) (Models MS2034/35B only)

The VNA Master + Spectrum Analyzer comes with AM/FM/SSB audio demodulation standard. By adding Option 0509, it then measures, analyzes and displays key modulation parameters of RF Spectrum, Audio Spectrum, Audio Waveform and FM Demod Summary. The RF Spectrum View displays the spectrum analyzer with carrier power, frequency, and occupied BW. Audio Spectrum shows the demodulated audio spectrum along with the Rate, RMS deviation, Pk-Pk/2 deviation, SINAD, Total Harmonic Distortion (THD), and Distortion/Total. Each demodulation also includes an Audio Waveform display that shows the time-domain demodulated waveform. There is a summary table that includes a summary of all the RF and Demod parameters.

Coverage Mapping (Option 0431) (Requires GPS)

| Measurements | Indoor Mapping | | Outdoor Mapping | |
|------------------|-----------------------------|---|-----------------|--|
| | RSSI ACPR | | RSSI ACPR | |
| Setup Parameters | Frequency | Center/Start/Stop, Span, Freq Step, Signal Standard, Channel #, Channel Increment | | |
| | Amplitude | Reference Level (RL), Scale, Attenuation Auto/Level, RL Offset, Pre-Amp On/Off, Detection | | |
| | Span | Span, Span Up/Down (1-2-5), Full Span, Zero Span, Last Span | | |
| | BW | RBW, Auto RBW, VBW, Auto VBW, RBW/VBW, Span/VBW | | |
| | Measurement Setup | ACPR, RSSI | | |
| | Point Distance / Time Setup | Repeat Type Time Distance | | |
| | Save Points Map | Save KML, JPEG, Tab Delimited | | |
| | Recall Points Map | Recall Map, Recall KML Points only, Recall KML Points with Map, Recall Default Grid | | |

VNA Master General Specifications (MS202xB/3xB)

| | |
|---|---|
| Maximum Input (Damage Level) into Vector Network Analyzer | +23 dBm, \pm 50 VDC |
| Interfaces | Type N female Spectrum Analyzer Port (MS203xB) Type N female Type BNC female Trigger In port Type BNC female External Reference In port Type SMA female GPS port supports +3.3 V or +5 V external antenna (Available with opt 0031) USB Interface, Type A (2 connectors) USB Interface, Type Mini-B RJ45 connector for Ethernet 10/100-Base T (Available with opt 0411 Ethernet) 2.5 mm 3-wire cellular headset connector |

Setup Parameters

| | |
|-----------------------------|---|
| System | Status (Temperature, Battery Info, S/N, Firmware Version, Options Installed) Self Test, Application Self Test GPS (see Option 0031) |
| System Options | Name, Date and Time, Brightness, Volume Language (English, French, German, Spanish, Chinese, Japanese, Korean, Italian, User defined) Reset (Factory Defaults, Master Reset, Update Firmware) |
| File | Save, Recall, Delete, Directory Management |
| Save/Recall | Setups, Measurements, Screen Shots Jpeg (save only) |
| Delete | Selected File, All Measurements, All Mode Files, All Content |
| Directory Management | Sort Method (Name/Type/Date), Ascend/Descend, Internal/USB, Copy, Format USB |
| Internal Trace/Setup Memory | 2,000 traces, 2,000 Setups |
| External Trace/Setup Memory | Limited by size of USB Flash drive |
| Mode Switching | Auto- Stores/Recalls most recently used Setup Parameters in the Mode |

Connectors

| | |
|---------------------------------|--|
| VNA Port 1, VNA Port 2 | Type N, female, 50 Ω |
| RF Out Damage Level | +23 dBm, \pm 50 VDC |
| RF In Damage Level | +35 dBm peak, \pm 50 VDC, Maximum Continuous Input (\geq 10 dB attenuation) (MS203xB) |
| GPS | SMA, female |
| External Power | 5.5 mm barrel connector, 12.5 to 15 VDC, < 4.0 Amps |
| USB Interface (2) | Type A, Connect Flash Drive and Power Sensor |
| USB Interface | 5-pin mini-B, Connect to PC for data transfer |
| Headset Jack | 2.5 mm barrel connector |
| External Reference In | BNC, female, 50 Ω , Maximum Input \pm 5 VDC 1 MHz, 5 MHz, 10 MHz, 13 MHz |
| External Trigger/Clock Recovery | BNC, female, 50 Ω , Maximum Input \pm 50 VDC |

Display

| | |
|------------|-------------------------------------|
| Type | Resistive Touch Screen |
| Size | 8.4 in, daylight viewable color LCD |
| Resolution | 800 x 600 |

Power

| | |
|---|---|
| Field replaceable Li-Ion Battery (633-44: 6600 mAh, 4.5 Amps) | 40 Watts on battery power only |
| DC power from Universal 110/220V AC/DC Adaptor | 55 Watts running off AC/DC adaptor while charging battery |
| Life time charging cycles (Li-Ion Battery, 633-44) | > 300 (80% of initial capacity) |
| Battery Operation | 3.0 hours, typical |

Electromagnetic Compatibility

| | |
|---------------------------|--|
| European Union | CE Mark, EMC Directive 89/336/EEC, 92/31/EEC, 93/68/EEC and Low Voltage Directive 73/23/EEC, 93/68/EEC |
| Australia and New Zealand | C-tick N274 |
| Interference | EN 61326-1 |
| Emissions | EN 55011 |
| Immunity | EN 61000-4-2/-4-3/-4-4/-4-5/-4-6/-4-11 |

Safety

| | |
|----------------|--|
| Safety Class | EN 61010-1 Class 1 |
| Product Safety | IEC 60950-1 when used with Company supplied Power Supply |

Environmental

| | |
|-----------------------|--|
| Operating Temperature | -10 $^{\circ}$ C to 55 $^{\circ}$ C |
| Maximum Humidity | 85% |
| Shock | MIL-PRF-28800F Class 2 |
| Storage | -40 $^{\circ}$ C to 71 $^{\circ}$ C |
| Altitude | 4600 meters, operating and non-operating |

Size and Weight

| | | |
|---------------------------|------------------|------------------|
| Dimensions | Height | 199 mm (7.8 in) |
| | Width | 273 mm (10.7 in) |
| | Depth | 91 mm (3.6 in) |
| Weight, Including Battery | 3.5 kg (7.6 lbs) | |

Ancillary Module extends Optical Fiber Testing to Distance-to-Fault

The ODTF-1 module is primarily intended for field use by technicians and engineers responsible for the deployment and maintenance of remote radio heads (RRH). The majority of next generation high speed data networks are being deployed with fiber between the main and remote unit creating a need for contractors to sweep both RF and fiber systems.

The ODTF-1 module is fully compatible with the MS202xB/3xB VNA Masters which are optionally equipped with the Distance Domain Option 0501. Field operation of the ODTF-1 module with the VNA Master requires the normal DTF (RF/microwave) mode along with simple modification of some of the setup parameters such as V_p , cable loss, and frequency.

VNA Master users need only to connect a short cable between the RF output of the VNA and the ODTF-1 module and perform a 1-port calibration at the end of the cable. Essentially the ODTF-1 module is simply a wavelength translator, RF test signals in, RF signals returning. The same physics that apply to the traditional DTF measurements apply to ODTF-1 meaning highly accurate measurements can be made with event resolution as good as 10 cm. The same trade-offs carry over as well so better event resolution translates to shorter maximum distance, and vice-versa. Max distance is specified at 1020 meters (3345 ft).

The battery life of the ODTF-1 module matches the battery life of the VNA Master. It can be charged with the same 40-168-R power supply so there is no need to maintain different power supplies.



Using a VNA Master equipped with Option 0501 Distance-to-Fault, this ODTF-1 optical module translates the RF test wavelengths to display fault locations in standard optical fibers

Specifications

| | |
|-----------------------|---|
| Wavelength | 1550 nm typical |
| Frequency Range | 1 GHz to 2 GHz |
| Fiber Type | Single Mode Fiber (SMF) |
| Event Resolution | 10.2 cm (0.335 ft) maximum, or $150/(n \cdot \Delta F)$, ΔF in MHz, n is IOR |
| Horizontal Range | 1020 meter (3345 ft) maximum, or $(\#dp-1) \cdot \text{Event Resolution}$ |
| Optical Dynamic Range | 30 dB |
| Optical Output Power | 3 dBm typical |

Input and Output Ports

| | |
|--------------------|---------|
| RF Connector | N(m) |
| Max RF Input Power | + 5 dBm |
| Optical Connector | FC/APC |

General Specifications

| | |
|-------------------------------|--|
| External DC Input | +15 VDC, 3A maximum |
| Electromagnetic Compatibility | Meets European Community requirements for CE marking |
| Temperature Operating | 0 to 50 °C |
| Non-operating | 0 to 70 °C recommended |

Dimensions

| | |
|--------|--|
| Size | 15.7 x 5.37 x 18.6 cm (6.18 x 2.1 x 7.3 in.) |
| Weight | < 1 kg (2.2 lbs) |

Ordering Information

| MS2024B¹ | MS2025B¹ | MS2034B¹ | MS2035B¹ | |
|---|---|--|--|--|
| VNA Master™ 2-port, 1-path, VNA: 500 kHz to 4 GHz | VNA Master™ 2-port, 1-path, VNA: 500 kHz to 6 GHz | VNA Master™ + Spectrum Analyzer, S/A: 100 kHz to 4 GHz | VNA Master™ + Spectrum Analyzer, S/A: 100 kHz to 6 GHz | |
| Options | | | | Description |
| MS2024B-0010 | MS2025B-0010 | MS2034B-0010 | MS2035B-0010 | Built-in Bias-Tee, +12 to +24 V variable |
| MS2024B-0015 | MS2025B-0015 | MS2034B-0015 | MS2035B-0015 | Vector Voltmeter |
| MS2024B-0019 | MS2025B-0019 | MS2034B-0019 | MS2035B-0019 | High Accuracy Power Meter (requires external USB sensor) |
| – | – | MS2034B-0025 | – | Interference Analysis, 100 kHz to 4 GHz ² |
| – | – | – | MS2035B-0025 | Interference Analysis, 100 kHz to 6 GHz ² |
| – | – | MS2034B-0027 | – | Channel Scanner, 100 kHz to 4 GHz ² |
| – | – | – | MS2035B-0027 | Channel Scanner, 100 kHz to 6 GHz ² |
| MS2024B-0031 | MS2025B-0031 | MS2034B-0031 | MS2035B-0031 | GPS Receiver (requires GPS antenna, 2000-1528-R or 2000-1652-R) |
| MS2024B-0098 | MS2025B-0098 | MS2034B-0098 | MS2035B-0098 | Z-540 Calibration |
| MS2024B-0099 | MS2025B-0099 | MS2034B-0099 | MS2035B-0099 | Premium Calibration |
| MS2024B-0411 | MS2025B-0411 | MS2034B-0411 | MS2035B-0411 | Ethernet Connectivity |
| – | – | MS2034B-0431 | MS2035B-0431 | Coverage Mapping ³ |
| MS2024B-0501 | MS2025B-0501 | MS2034B-0501 | MS2035B-0501 | Distance Domain |
| – | – | MS2034B-0509 | MS2035B-0509 | AM/FM/PM Demodulation Analyzer |

Notes:

- 1) Includes standard one-year warranty and Certificate of Calibration and Conformance.
- 2) Requires external antenna (Series 2000-xxxx Antenna, or 61532 Antenna Kit), Recommend Option 0031 GPS.
- 3) Requires Option 0031 GPS

MS2024/5/34/5B Standard Accessories

| | |
|-------------|--|
| 10580-00220 | VNA Master User's Guide |
| 3-68736 | Soft Carrying Case |
| 2300-498 | Master Software Tools CD ROM |
| 633-44 | Rechargeable Battery, Li-Ion, 6.6 Ah |
| 40-168-R | AC-DC Adapter |
| 806-141-R | Automotive Cigarette Lighter |
| 3-2000-1498 | USB A-type to Mini USB B-type cable, 3.05 m (10 ft.) |

Optional Accessories

Ancillary Equipment

| | |
|-------------|--|
| ODTF-1 | Optical Time Domain Module |
| 2300-517 | Phase Noise Measurement Software |
| 3-806-152 | Ethernet Crossover Cable |
| 2000-1371-R | Ethernet Cable (7 ft.) |
| 2000-1653 | Protective Screen Cover (Package of 2) |
| 2000-1652-R | GPS Antenna – Magnet mount (active 3-5V) with SMA connector and 1 foot cable |
| 2000-1528-R | GPS Antenna – Magnet Mount (active 3-5V) with SMA connector and 4.6 m (15 ft) extension cable |

High Accuracy Power Sensor

| | |
|----------|---|
| PSN50 | High Accuracy Power Sensor, 50 MHz to 6 GHz |
| MA24104A | Inline High Power Sensor, 600 MHz to 4 GHz, True RMS |
| MA24106A | High Accuracy Power Sensor, 50 MHz to 6 GHz, True RMS |
| MA24108A | Microwave USB Power Sensor, 10 MHz to 8 GHz, True RMS |
| MA24118A | Microwave USB Power Sensor, 10 MHz to 18 GHz, True RMS |
| MA24126A | Microwave USB Power Sensor, 10 MHz to 26.5 GHz, True RMS |

N-Type Connector Components

| | |
|-----------|--|
| OSLN50 | Precision Integrated Open/Short/Load N(m), DC to 18 GHz, 50 Ω |
| OSLNF50 | Precision Integrated Open/Short/Load N(f), DC to 18 GHz, 50 Ω |
| 22N50 | Precision N(m) Short/Open, 18 GHz |
| 22NF50 | Precision N(f) Short/Open, 18 GHz |
| 28N50-2 | Precision Termination, DC to 18 GHz, 50 Ω, N(m) |
| 28NF50-2 | Precision Termination, DC to 18 GHz, 50 Ω, N(f) |
| OSLN50-1 | Precision N(m) Open/Short/Load, 42 dB, 6 GHz |
| OSLNF50-1 | Precision N(f) Open/Short/Load, 42 dB, 6 GHz |
| SM/PL-1 | Precision N(m) Load, 42 dB, 6 GHz |
| SM/PLNF-1 | Precision N(f) Load, 42 dB, 6 GHz |

continued on next page...

Ordering Information (continued)

Phase-Stable Test Port Cables, Armored

| | |
|--------------|---|
| 15NNF50-1.5C | 1.5 m, DC to 6 GHz, N(m) to N(f), 50 Ω |
| 15NN50-1.5C | 1.5 m, DC to 6 GHz, N(m) to N(m), 50 Ω |
| 15NDF50-1.5C | 1.5 m, DC to 6 GHz, N(m) to 7/16 DIN(f), 50 Ω |
| 15ND50-1.5C | 1.5 m, DC to 6 GHz, N(m) to 7/16 DIN(m), 50 Ω |
| 15NNF50-3.0C | 3.0 m, DC to 6 GHz, N(m) to N(f), 50 Ω |
| 15NN50-3.0C | 3.0 m, DC to 6 GHz, N(m) to N(m), 50 Ω |

Directional Antennas

| | |
|-------------|--|
| 2000-1411-R | 824 MHz to 896 MHz, N(f), 10 dBd, Yagi |
| 2000-1412-R | 885 MHz to 975 MHz, N(f), 10 dBd, Yagi |
| 2000-1413-R | 1710 MHz to 1880 MHz, N(f), 10 dBd, Yagi |
| 2000-1414-R | 1850 MHz to 1990 MHz, N(f), 9.3 dBd, Yagi |
| 2000-1415-R | 2400 MHz to 2500 MHz, N(f), 10 dBd, Yagi |
| 2000-1416-R | 1920 MHz to 2170 MHz, N(f), 10 dBd, Yagi |
| 2000-1519-R | 500 MHz to 3000 MHz, log periodic |
| 2000-1617 | 600 MHz to 21000 MHz, N(f), 5-8 dBi to 12 GHz, 0-6 dBi to 21 GHz, log periodic |

Portable Antennas

| | |
|-----------|---|
| 2000-1200 | 806 MHz to 866 MHz, SMA(m), 50 Ω |
| 2000-1473 | 870 MHz to 960 MHz, SMA(m), 50 Ω |
| 2000-1035 | 896 MHz to 941 MHz, SMA (m), 50 Ω (1/4 wave) |
| 2000-1030 | 1710 MHz to 1880 MHz, SMA(m), 50 Ω (1/2 wave) |
| 2000-1474 | 1710 MHz to 1880 MHz with knuckle elbow (1/2 wave) |
| 2000-1031 | 1850 MHz to 1990 MHz, SMA(m), 50 Ω (1/2 wave) |
| 2000-1475 | 1920 MHz to 1980 MHz and 2110-2170 MHz, SMA(m), 50 Ω |
| 2000-1032 | 2400 MHz to 2500 MHz, SMA(m), 50 Ω (1/2 wave) |
| 2000-1361 | 2400 MHz to 2500, 5000 to 6000 MHz, SMA(m), 50 Ω |
| 2000-1616 | 20 MHz to 21000 MHz, N(f), 50 Ω |
| 61532 | Antenna Kit (Consists of: 2000-1030, 2000-1031, 2000-1032-R, 2000-1200, 2000-1035, 2000-1361, and carrying pouch) |

Bandpass Filters

| | |
|------------|---|
| 1030-114-R | 806 MHz to 869 MHz, N(m) to SMA(f), 50 Ω |
| 1030-109-R | 824 MHz to 849 MHz, N(m) to SMA (f), 50 Ω |
| 1030-110-R | 880 MHz to 915 MHz, N(m) to SMA (f), 50 Ω |
| 1030-105-R | 890 MHz to 915 MHz Band, 0.41 dB loss, N(m) to SMA(f), 50 Ω |
| 1030-111-R | 1850 MHz to 1910 MHz, N(m) to SMA (f), 50 Ω |
| 1030-106-R | 1710 MHz to 1790 MHz Band, 0.34 dB loss, N(m) to SMA(f), 50 Ω |
| 1030-107-R | 1910 MHz to 1990 MHz Band, 0.41 dB loss, N(m) to SMA(f), 50 Ω |
| 1030-112-R | 2400 MHz to 2484 MHz, N(m) to SMA (f), 50 Ω |
| 1030-155-R | 2500 MHz to 2700 MHz, N(m) to N(f), 50 Ω |

Adapters

| | |
|------------|---|
| 1091-26-R | SMA(m) to N(m), DC to 18 GHz, 50 Ω |
| 1091-27-R | SMA(f) to N(m), DC to 18 GHz, 50 Ω |
| 1091-80-R | SMA(m) to N(f), DC to 18 GHz, 50 Ω |
| 1091-81-R | SMA(f) to N(f), DC to 18 GHz, 50 Ω |
| 1091-172 | BNC(f) to N(m), DC to 1.3 GHz, 50 Ω |
| 1091-379-R | 7/16 DIN(f) to 7/16 DIN(f), DC to 6 GHz, 50 Ω, w/ Reinforced Grip |

| | |
|-----------|--|
| 510-90 | 7/16 DIN(f) to N(m), DC to 7.5 GHz, 50 Ω |
| 510-91 | 7/16 DIN(f) to N(f), DC to 7.5 GHz, 50 Ω |
| 510-92 | 7/16 DIN(m) to N(m), DC to 7.5 GHz, 50 Ω |
| 510-93 | 7/16 DIN(m) to N(f), DC to 7.5 GHz, 50 Ω |
| 510-96 | 7/16 DIN(m) to 7/16 DIN (m), DC to 7.5 GHz, 50 Ω |
| 510-97 | 7/16 DIN(f) to 7/16 DIN (f), DC to 7.5 GHz, 50 Ω |
| 510-102-R | N(m) to N(m), DC to 11 GHz, 50 Ω, 90 degrees right angle |

Precision Adapters

| | |
|----------|---|
| 34NN50A | Precision Adapter, N(m) to N(m), DC to 18 GHz, 50 Ω |
| 34NFNF50 | Precision Adapter, N(f) to N(f), DC to 18 GHz, 50 Ω |

Attenuators

| | |
|------------|--|
| 3-1010-122 | 20 dB, 5 W, DC to 12.4 GHz, N(m) to N(f) |
| 42N50-20 | 20 dB, 5 W, DC to 18 GHz, N(m) to N(f) |
| 42N50A-30 | 30 dB, 50 W, DC to 18 GHz, N(m) to N(f) |
| 3-1010-123 | 30 dB, 50 W, DC to 8.5 GHz, N(m) to N(f) |
| 1010-127-R | 30 dB, 150 W, DC to 3 GHz, N(m) to N(f) |
| 3-1010-124 | 40 dB, 100 W, DC to 8.5 GHz, N(m) to N(f), Uni-directional |
| 1010-121 | 40 dB, 100 W, DC to 18 GHz, N(m) to N(f), Uni-directional |
| 1010-128-R | 40 dB, 150 W, DC to 3 GHz, N(m) to N(f) |

Backpack and Transit Case

| | |
|-----------|---|
| 67135 | Anritsu Backpack (For Handheld Instrument and PC) |
| 760-243-R | Large Transit Case with Wheels and Handle |

Manuals

| | |
|-------------|---|
| 10580-00215 | ODTF-1 Optical Distance-to-Fault Module – Quick Start Guide |
| 10580-00231 | Spectrum Analyzer Measurement Guide |
| 10580-00240 | Power Meter Measurement Guide |
| 10580-00289 | VNA Measurement Guide |
| 10580-00301 | VNA Master User's Guide |
| 10580-00302 | VNA Master Programming Manual |
| 10580-00303 | VNA Master Maintenance Manual |

Related Literature, Application Notes, Books

| | |
|-------------|---|
| 11410-00206 | Time Domain for Vector Network Analyzers |
| 11410-00214 | Reflectometer Measurements – Revisited |
| 11410-00270 | What is Your Measurement Accuracy? |
| 11410-00373 | Distance-to-Fault |
| 11410-00387 | Primer on Vector Network Analysis |
| 11410-00414 | High Accuracy Power Meter, PSN50 |
| 11410-00424 | USB Power Sensor MA24106A |
| 11410-00483 | Inline High Power Sensor MA24104A |
| 11410-00504 | Microwave USB Power Sensor MA241x8A |
| 11410-00531 | Practical Tips on Making “Vector Voltmeter (VVM)” Phase Measurements using VNA Master (Opt. 15) |
| 11410-00545 | VNA Master + Spectrum Analyzer Brochure |
| 11410-00549 | VNA Master + Spectrum Analyzer Technical Data Sheet |
| 11410-00472 | Measuring Interference |
| 11410-00476 | Essentials of Vector Network Analysis |
| 11410-00565 | Troubleshoot Wire Cable Assemblies with Frequency-Domain Reflectometry |



The Master Users Group is an organization dedicated to providing training, technical support, networking opportunities and links to Master product development teams. As a member you will receive the Insite Quarterly Newsletter with user stories, measurement tips, new product news and more.

Visit us to register today: www.anritsu.com/MUG



To receive a quote to purchase a product or order accessories visit our online ordering site: www.ShopAnritsu.com

Training at Anritsu

Anritsu has designed courses to help you stay up to date with technologies important to your job.

For available training courses visit: www.anritsu.com/training



Anritsu Corporation

5-1-1 Onna, Atsugi-shi, Kanagawa, 243-8555 Japan
Phone: +81-46-223-1111
Fax: +81-46-296-1238

• U.S.A.

Anritsu Company

1155 East Collins Boulevard, Suite 100,
Richardson, TX, 75081 U.S.A.
Toll Free: 1-800-ANRITSU (267-4878)
Phone: +1-972-644-1777
Fax: +1-972-671-1877

• Canada

Anritsu Electronics Ltd.

700 Silver Seven Road, Suite 120, Kanata,
Ontario K2V 1C3, Canada
Phone: +1-613-591-2003
Fax: +1-613-591-1006

• Brazil

Anritsu Eletrônica Ltda.

Praça Amadeu Amaral, 27 - 1 Andar
01327-010 - Bela Vista - São Paulo - SP - Brasil
Phone: +55-11-3283-2511
Fax: +55-11-3288-6940

• Mexico

Anritsu Company, S.A. de C.V.

Av. Ejército Nacional No. 579 Piso 9, Col. Granada
11520 México, D.F., México
Phone: +52-55-1101-2370
Fax: +52-55-5254-3147

• U.K.

Anritsu EMEA Ltd.

200 Capability Green, Luton, Bedfordshire LU1 3LU, U.K.
Phone: +44-1582-433280
Fax: +44-1582-731303

• France

Anritsu S.A.

12 Avenue du Québec,
Bâtiment Iris 1-Silic 638,
91140 VILLEBON SUR YVETTE, France
Phone: +33-1-60-92-15-50
Fax: +33-1-64-46-10-65

• Germany

Anritsu GmbH

Nemetschek Haus, Konrad-Zuse-Platz 1
81829 München, Germany
Phone: +49 (0) 89 442308-0
Fax: +49 (0) 89 442308-55

• Italy

Anritsu S.p.A.

Via Elio Vittorini, 129, 00144 Roma, Italy
Phone: +39-06-509-9711
Fax: +39-06-502-2425

• Sweden

Anritsu AB

Borgafjordsgatan 13, 164 40 KISTA, Sweden
Phone: +46-8-534-707-00
Fax: +46-8-534-707-30

• Finland

Anritsu AB

Teknobulevardi 3-5, FI-01530 VANTAA, Finland
Phone: +358-20-741-8100
Fax: +358-20-741-8111

• Denmark

Anritsu A/S (for Service Assurance)

Anritsu AB (for Test & Measurement)

Kirkebjerg Allé 90 DK-2605 Brøndby, Denmark
Phone: +45-7211-2200
Fax: +45-7211-2210

• Russia

Anritsu EMEA Ltd.

Representation Office in Russia

Tverskaya str. 16/2, bld. 1, 7th floor.
Russia, 125009, Moscow
Phone: +7-495-363-1694
Fax: +7-495-935-8962

• United Arab Emirates

Anritsu EMEA Ltd.

Dubai Liaison Office

P O Box 500413 - Dubai Internet City
Al Thuraya Building, Tower 1, Suite 701, 7th Floor
Dubai, United Arab Emirates
Phone: +971-4-3670352
Fax: +971-4-3688460

• Singapore

Anritsu Pte. Ltd.

60 Alexandra Terrace, #02-08, The Comtech (Lobby A)
Singapore 118502
Phone: +65-6282-2400
Fax: +65-6282-2533

• India

Anritsu Pte. Ltd.

India Branch Office

3rd Floor, Shri Lakshminarayan Niwas, #2726, 80 ft Road,
HAL 3rd Stage, Bangalore - 560 075, India
Phone: +91-80-4058-1300
Fax: +91-80-4058-1301

• P. R. China (Hong Kong)

Anritsu Company Ltd.

Units 4 & 5, 28th Floor, Greenfield Tower, Concordia Plaza,
No. 1 Science Museum Road, Tsim Sha Tsui East,
Kowloon, Hong Kong, P.R. China
Phone: +852-2301-4980
Fax: +852-2301-3545

• P. R. China (Beijing)

Anritsu Company Ltd.

Beijing Representative Office

Room 2008, Beijing Fortune Building,
No. 5, Dong-San-Huan Bei Road,
Chao-Yang District, Beijing 100004, P.R. China
Phone: +86-10-6590-9230
Fax: +86-10-6590-9235

• Korea

Anritsu Corporation, Ltd.

8F Hyunjuk Bldg, 832-41, Yeoksam-Dong,
Kangnam-ku, Seoul, 135-080, Korea
Phone: +82-2-553-6603
Fax: +82-2-553-6604

• Australia

Anritsu Pty Ltd.

Unit 21/270 Ferntree Gully Road, Notting Hill
Victoria, 3168, Australia
Phone: +61-3-9558-8177
Fax: +61-3-9558-8255

• Taiwan

Anritsu Company Inc.

7F, No. 316, Sec. 1, Neihu Rd., Taipei 114, Taiwan
Phone: +886-2-8751-1816
Fax: +886-2-8751-1817



©Anritsu All trademarks are registered trademarks of their respective companies. Data subject to change without notice. For the most recent specifications visit: www.anritsu.com

11410-00549, Rev. D Printed in United States 2011-08
©2011 Anritsu Company. All Rights Reserved