

# ANAHEIM SCIENTIFIC®



## INSTRUCTION MANUAL

*Model: H500  
RGB Color Analyzer*

# Table of Content

<b>1. Product Introduction</b> .....	<b>3</b>
1-1 Features .....	3
1-2 Applications .....	3
<b>2. Safety Information</b> .....	<b>4</b>
2-1 Cautions .....	4
2-2 Safety Symbols .....	4
<b>3. Specifications</b> .....	<b>5</b>
<b>4. Operation Instructions</b> .....	<b>6</b>
4-1 Unit Diagram .....	6
4-2 Non Light Emitting Sample Measurements .....	7
4-3 Light Emitting Sample Measurements .....	7
4-4 RGB & HSL Measurements .....	7
4-5 HSL Measurements .....	7
4-6 REL (Relative) Measurements .....	8
<b>5. Calibration Procedure</b> .....	<b>8</b>
<b>6. RS232 PC Serial Interface Information</b> .....	<b>9</b>
<b>7. Maintenance</b> .....	<b>11</b>
7-1 Battery Replacement .....	11
7-2 Trouble Shooting .....	11
<b>8. Service Information</b> .....	<b>12</b>
<b>9. Warranty Information</b> .....	<b>13</b>

To see all available accessories and downloadable software, please visit  
[www.anaheimscientific.com](http://www.anaheimscientific.com)

## **1. Product Introduction**

Congratulation on your purchase of this Anaheim Scientific RGB Color Analyzer with HSL measuring capabilities. The H500 is equipped with an external sensor probe having a 45°/0° color measuring geometry. It is designed around a microprocessor technology that uses a spectral analysis method to determine the color of the area under test. The model H500 has excellent repeatability due to the spectroscopic analysis technique used.

### **1-1 Features**

- Measure both RGB and HSL levels
- Easy to use
- Relative (REL) feature allows the comparison of to color samples
- Two year warranty

### **1-2 Applications**

- Check color levels of Plastics, Textiles, Paper, Paints and Leathers
- Quality control in production and manufacturing
- Comparisons of color samples against color standards
- Check reference color values of CRTs, LCD monitors and light lamps

## 2. Safety Information

Read the following safety information carefully before attempting to operate or service the meter. Only qualified personnel should perform repairs or servicing not covered in this manual.

### 2-1 Cautions!

- **DO NOT** submerge the products mentioned in this manual in water or any other types of liquids.
- This product is not designed for use in medical applications. The product can only be used to measure body temperature simply for reference.

### 2-2 Safety Symbols



Dangerous, refer to this manual before using the meter.



Conforms to requirements of European Union and European Free Trade Association (EFTA).



Battery level is low.



Don't dispose this product as unsorted municipal waste.

This instrument conforms to the following standards:

**EN61326:** Electrical equipment for measurement, control and laboratory use.

**IEC61000-4-2:** Electrostatic discharge immunity test.

**IEC61000-4-3:** Radiated, radio-frequency, electromagnetic field immunity test.

**IEC61000-4-8:** Power frequency magnetic field immunity test.

### 3. Specifications

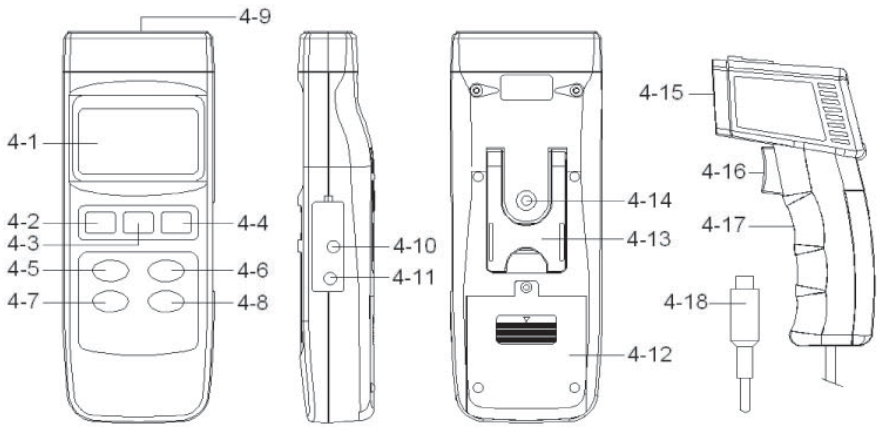
Display	LCD size: 2.3 x 1.3" (59 x 34mm)	
Measuring Geometry	45°/0° - Circular illumination at 45°, measurement at 0°	
Spectral Range	400nm to 700nm	
Light Source	Two white LEDs	
Measuring Principle	<p>- For non light emitting sample measurements such as textiles or paper, a defined light source illuminates the sample and reflected surface light is spectrometrically analyzed.</p> <p>- For light emitting sample measurements such as CRT or LCD, the light source from the sample is spectrometrically analyzed directly.</p>	
Color Sensors	Three color photo transistors. One for all three Red, Blue & Green colors.	
Measurements	RGB Value R (Red) value : 0 to 1023 G (Green) value: 0 to 1023 B (Blue) value: 0 to 1023	
	HSL Value H (Hue) value: 0 to 1.000 S (Saturation) value: 0 to 1.000 L (Luminance) value: 0 to 1.000	
Repeatability	Specified after the instrument is calibrated and measurement is repeated on the same sample tested ten times within two minutes.	
	R (Red) Value	< 4
	G (Green) Value	< 4
	B (Blue) Value	< 4
	H (Hue) Value	< 0.02
	S (Saturation) Value	< 0.02
	L (Luminance) Value	< 0.02
Measurement Sample Material Types	Type 1 = Non light emitting material such as Textiles, Paint etc... Type 2 = Light emitting material such as CRT, LCD, Lamp etc... <b>Important Note:</b> The H500 is designed for measuring type 1 materials. Type 2 materials are for reference only, any accuracies or stated capabilities do not apply to type 2 materials.	
Auto Power Off	Approximately after three minutes	
Operating Temp.	32° to 122°F (0° to 50°C) @ <80% RH	
Power Supply	DC 9V Battery (type 006P, MN1604(PP3) or equivalent), 6.4mA standby / 32mA measurement (AC Adapter not included)	
Weight (approx.)	1.05 lb (478g)	
Dimensions (approx.)	Main instrument: 8 x 3 x 1.5" (203 x 76 x 38mm)	
	Sensor probe: 6.3 x 3.6 x 1.8" (160 x 92 x 45mm)	
Included Accessories	Instruction manual, calibration card, battery, carrying case	

Specifications and information is subject to change without notice.

For the most current and up-to-date product information please visit [www.anaheimscientific.com](http://www.anaheimscientific.com)

## 4. Operating Instructions

### 4-1 Unit Diagram



**Fig. 1**

- 4-1 Display
- 4-2 Power Button
- 4-3 Test Button
- 4-4 Function Button
- 4-5 CAL (calibration) Button
- 4-6 REL (relative) Button
- 4-7 RGB/HSL Button
- 4-8 Light On/Off Button
- 4-9 Input Socket

- 4-10 RS232 Socket
- 4-11 DC 9V Adapter Input Socket
- 4-12 Battery Compartment
- 4-13 Stand
- 4-14 Tripod Screw Mount
- 4-15 Color Sensor Element
- 4-16 Measurement Trigger
- 4-17 Probe Handle
- 4-18 Probe Plug

## 4-2 Non-Light Emitting Sample Measurement

This mode of operation is design for use on materials that do not emit light. The H500 is primarily designed to work on non-light emitting materials.

1. Connect the "Probe Plug" (4-17, Fig.1) to the "Input Socket" (4-9, Fig.1).
2. Power the meter on by pressing the "Power Button" (4-2, Fig.1). The display will show zero values.
3. Use the "Probe Handel" (4-17, Fig.1) to position the "Color Sensor Element" (4-15, Fig. 1) over the color to be measured. Ensure that the front of the color sensor head is flush with the surface.
4. Follow the appropriate steps that appear in sections 4-4 through 4-6 to continue your measurements.

## 4-3 Light Emitting Sample Measurements

This mode of operation is design for use on materials that emit light (such as a LCD or CRT). The H500 is primarily designed to work on non-light emitting materials. Any values measured with this instrument in this mode should be considered estimations and are not actual values.

1. Connect the "Probe Plug" (4-17, Fig.1) to the "Input Socket" (4-9, Fig.1).
2. Power the meter on by pressing the "Power Button" (4-2, Fig.1). The display will show zero values.
3. Press the "Light On/Off Button" (4-8, Fig. 1).
4. Use the "Probe Handel" (4-17, Fig.1) to position the "Color Sensor Element" (4-15, Fig. 1) over the color to be measured. Ensure that the front of the color sensor head is flush with the surface.
5. If the LEDs near the "Color Sensor Element" (4-15, Fig. 1) turn on then the meter is set to still measure non-light emitting samples. Press the "Light On/Off Button" (4-8, Fig. 1) to turn off the LEDs.
6. Follow the appropriate steps that appear in sections 4-4 through 4-6 to continue your measurements.

## 4-4 RGB Measurements

1. For RGB measurements follow steps from section 4-2 and then press the "Measurement Trigger" (4-16, Fig. 1) or the "Test Button" (4-3, Fig. 1).
2. Continue to hold the "Color Sensor Element" (4-15, Fig. 1) in place while the meter makes its measurement. During the measurement you will see the "Mesu" marker on the top of the LCD. The measurement process takes approximately 5 seconds.
3. After the measurement you the RGB values on the LCD and the "Mesu" marker on the LCD will disappear.

## 4-5 HSL Measurements

1. For HSL measurements follow steps from section 4-4, then press the "RGB/HSL Button" (4-7, Fig. 1). This will display the HSL values. A separate measurement is not necessary.
2. You toggle between values by pressing the "RGB/HSL Button" (4-7, Fig. 1).

HSL Considerations:

The HSL color is more closely approximates how the human eye distinguishes a color compared to the common RGB color value.

Hue is what distinguishes one color from another. You can think of Hue as a specific color.  
 Saturation is how much color or the purity of the color is present.  
 Luminance is how bright or intense the color is.

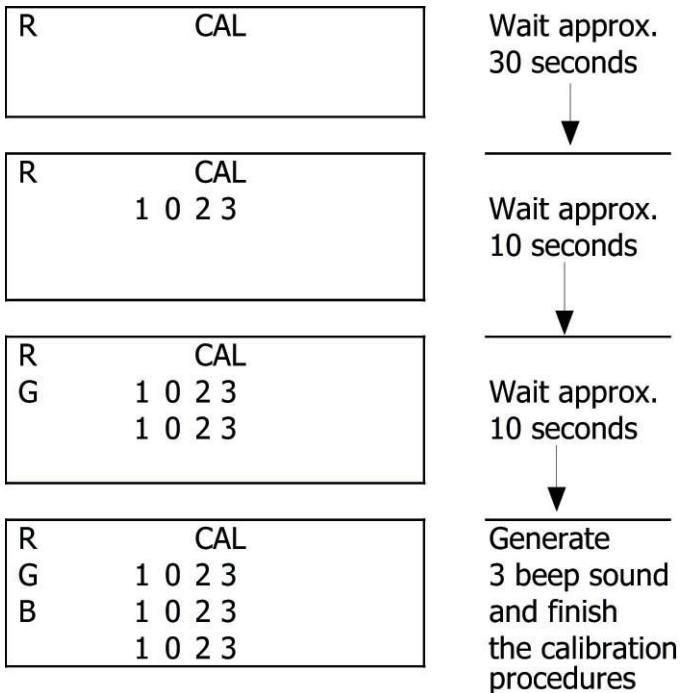
### 4-6 REL (Relative) Measurements

After making a measurement it is possible to subtract the measured values from the display to allow you to easily measure the difference of two color samples.

1. After a measurement has been made, press the "REL Button" (4-6, Fig.1) and the LCD should display all zeros.
2. Now perform your measurement on the new sample. The resulting displayed values will be the difference between the two colors. The values will be flashing on the screen to notify you that you are reading REL values.
3. Press the "REL Button" (4-6, Fig.1) to exit the REL mode.

### 5. Calibration Procedure

1. Set meter to be used to measure RGB by following steps 4-2 and 4-4.
2. Lay the White Color Calibration Card included with your H500 on to a flat surface so you will have access to the White Card.
3. Place the "Color Sensor Element" (4-15, Fig. 1) over the White Card making sure that it is flush with the card surface.
4. Simultaneously press the "Function Button" (4-4, Fig. 1) and the "CAL Button" (4-5, Fig. 1) then release the buttons to commence calibration. It is important to keep the probe in place during the entire process.
5. You will see the following sequence displayed on the LCD.





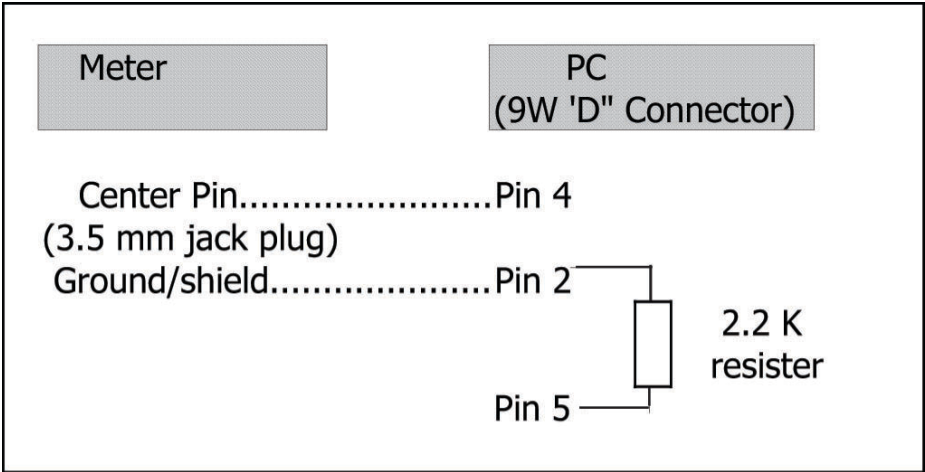
## 6. RS232 PC Serial Interface Information

This instrument has RS232 PC serial interface via a 3.5 mm terminal (4-12, Fig. 1).

The data output is a 16 digit stream which can be utilized for user's specific application.

A RS232 lead with the following connection will be required to link the instrument with the PC serial port.

Visit [www.anaheimscientific.com](http://www.anaheimscientific.com) to see any available downloadable software for your instrument.



The 16 digit data stream will be displayed in the following format:

D15 D14 D13 D12 D11 D10 D9 D8 D7 D6 D5 D4 D3 D2 D1D0
--

Each digit indicates the following status:

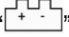
D15	Start Word		
D14	4		
D13	When send the R color value = 1 When send the G color value = 2 When send the B color value = 3 When send the H color value = 4 When send the S color value = 5 When send the L color value = 6 Note: Send these values in sequence		
D12 & D11	Indicator for Display		
	R = 70	G = 71	B = 72
	H = 42	S = 73	L = 99
D10	Polarity: 0 = Positive / 1 = Negative		
D9	Decimal Point (DP), position from right to left 0 = No DP, 1 = 1 DP, 2 = 2 DP, 3 = 3 DP		
D8 to D1	Display reading, D1 = LSD, D8 = MSD Example: If the display reading is 1234, then D8 to D1 is: 00001234		
D0	End Word		

**RS232 Setting**

Baud Rate	9600
Parity	No Parity
Data bit #	8 Data bits
Stop bit	1 Stop bit

## 7. Maintenance

### 7-1 Battery Replacement

1. When the LCD display shows the  low battery symbol, It is necessary to replace the battery. The specifications listed for this instrument do not apply when the low battery symbol is displayed.

2. Open the "Battery Compartment" (4-12, Fig. 1) by first loosening the single battery cover screw.

3. Replace the batteries with "good" batteries noting the correct polarity. Replace "Battery Compartment" (4-12, Fig. 1) and battery cover screw. Ensure the cover is securely fastened.

### 7-2 Trouble Shooting

Low Value Measurements:

1. If during a "Non-Light Emitting Sample Measurement" the meter displays unusually low RGB values, check and make sure both LEDs are turning on when you press the "Measurement Trigger" (4-16, Fig. 1) or the "Test Button" (4-3, Fig. 1).

2. If neither LEDs turn on follow steps from section 4-2.

3. If only one LED turns on then the unit needs repair.

Unit will not power on or buttons not performing specified functions:

1. Replace the batteries following step from 7-1..

2. Perform calibration process from section 5.

## **8. Service Information**

**Warranty Service:** Please return the product in the original packaging with proof of purchase to the address below. Clearly state in writing the performance problem and return any leads, probes, connectors and accessories that you are using with the device.

**Non-Warranty Service:** Return the product in the original packaging to the address below. Clearly state in writing the performance problem and return any leads, probes, connectors and accessories that you are using with the device. Customers not on open account must include payment in the form of a money order or credit card. For the most current repair charges please visit [www.anaheimscientific.com](http://www.anaheimscientific.com) and click on "service/repair".

Return all merchandise to Anaheim Scientific with pre-paid shipping. The flat-rate repair charge for Non-Warranty Service **does not** include return shipping. Return shipping to locations in North America is included for Warranty Service only. For overnight shipments and non-North American shipping fees please contact Anaheim Scientific.

Anaheim Scientific  
22820 Savi Ranch Parkway  
Yorba Linda, CA 92887  
[www.anaheimscientific.com](http://www.anaheimscientific.com)  
714-921-9095

**Include with the returned instrument your complete return shipping address, contact name, phone number and description of problem.**

## **9. Limited Two-Year Warranty**

*Anaheim Scientific warrants to the original purchaser that its products and the component parts thereof, will be free from defects in workmanship and materials for a period of two years from date of purchase from an authorized Anaheim Scientific distributor.*

*Anaheim Scientific will, without charge, repair or replace, at its option, defective product or component parts. Returned product must be accompanied by proof of the purchase date in the form of a sales receipt.*

*To obtain warranty coverage in the U.S.A., this product must be registered by completing the warranty registration form on [www.anaheimscientific.com](http://www.anaheimscientific.com) within fifteen (15) days of purchase.*

***Exclusions: This warranty does not apply in the event of misuse or abuse of the product or as a result of unauthorized alterations or repairs. The warranty is void if the serial number is altered, defaced or removed.***

*Anaheim Scientific shall not be liable for any consequential damages, including without limitation damages resulting from loss of use. Some states do not allow limitations of incidental or consequential damages. So the above limitation or exclusion may not apply to you.*

*This warranty gives you specific rights and you may have other rights, which vary from state-to-state.*

*Anaheim Scientific  
22820 Savi Ranch Parkway  
Yorba Linda, CA 92887  
[www.anaheimscientific.com](http://www.anaheimscientific.com)  
714-921-9095*



**Anaheim Scientific**

22820 Savi Ranch Parkway

Yorba Linda, CA 92887

U.S.A.

<http://www.anaheimscientific.com>

Printed in Taiwan / Ver. 1.1/081209

© 2009 Anaheim Scientific Corporation