

AMPROBE®

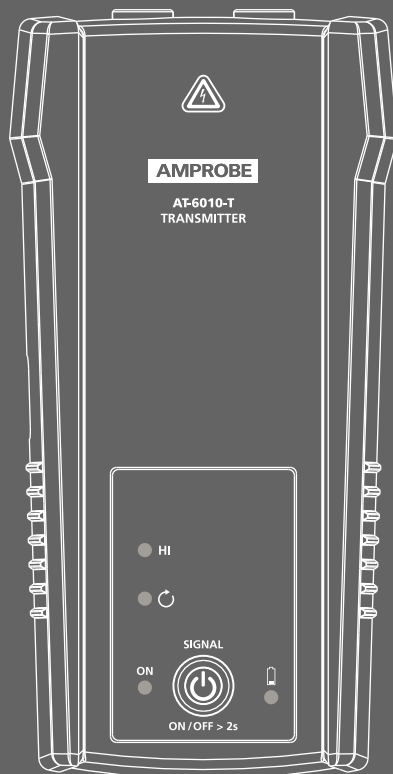
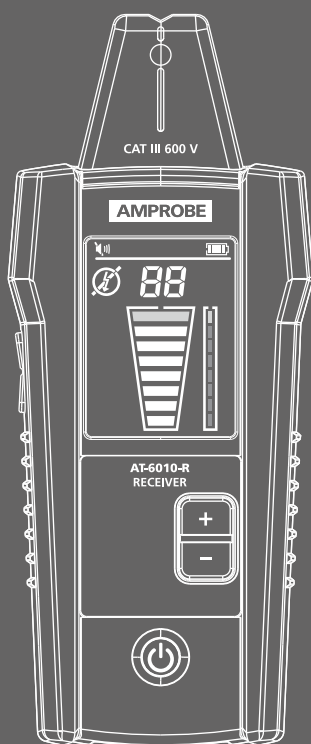
AT-6010 Advanced Wire Tracer

User Manual

ENG

FRE

SPA



AMPROBE®

AT-6010

Advanced Wire Tracer

User Manual

English

Limited Warranty and Limitation of Liability

Your Amprobe product will be free from defects in material and workmanship for one year from the date of purchase unless local laws require otherwise. This warranty does not cover fuses, disposable batteries or damage from accident, neglect, misuse, alteration, contamination, or abnormal conditions of operation or handling. Resellers are not authorized to extend any other warranty on the behalf of Amprobe. To obtain service during the warranty period, return the product with proof of purchase to an authorized Amprobe Service Center or to an Amprobe dealer or distributor. See Repair Section for details. THIS WARRANTY IS YOUR ONLY REMEDY. ALL OTHER WARRANTIES - WHETHER EXPRESS, IMPLIED OR STATUTORY - INCLUDING IMPLIED WARRANTIES OF FITNESS FOR A PARTICULAR PURPOSE OR MERCHANTABILITY, ARE HEREBY DISCLAIMED. MANUFACTURER SHALL NOT BE LIABLE FOR ANY SPECIAL, INDIRECT, INCIDENTAL OR CONSEQUENTIAL DAMAGES OR LOSSES, ARISING FROM ANY CAUSE OR THEORY. Since some states or countries do not allow the exclusion or limitation of an implied warranty or of incidental or consequential damages, this limitation of liability may not apply to you.

Repair

All Amprobe returned for warranty or non-warranty repair or for calibration should be accompanied by the following: your name, company's name, address, telephone number, and proof of purchase. Additionally, please include a brief description of the problem or the service requested and include the test leads with the meter. Non-warranty repair or replacement charges should be remitted in the form of a check, a money order, credit card with expiration date, or a purchase order made payable to Amprobe.

In-warranty Repairs and Replacement – All Countries

Please read the warranty statement and check your battery before requesting repair. During the warranty period, any defective test tool can be returned to your Amprobe distributor for an exchange for the same or like product. Please check the "Where to Buy" section on amprobe.com for a list of distributors near you. Additionally, in the United States and Canada, in-warranty repair and replacement units can also be sent to an Amprobe Service Center (see address below).

Non-warranty Repairs and Replacement – United States and Canada

Non-warranty repairs in the United States and Canada should be sent to an Amprobe Service Center. Call Amprobe or inquire at your point of purchase for current repair and replacement rates.

USA:

Amprobe

Everett, WA 98203

Tel: 877-AMPROBE (267-7623)

Canada:

Amprobe

Mississauga, ON L4Z 1X9

Tel: 905-890-7600

Non-warranty Repairs and Replacement – Europe

European non-warranty units can be replaced by your Amprobe distributor for a nominal charge. Please check the "Where to Buy" section on beha-amprobe.com for a list of distributors near you.

Beha-Amprobe*

In den Engematten 14

79286 Glottertal, Germany

Tel.: +49 (0) 7684 8009 - 0

beha-amprobe.com

*(Correspondence only – no repair or replacement available from this address. European customers please contact your distributor.)

CONTENTS

1. PRECAUTIONS AND SAFETY MEASURES2

2. KIT COMPONENTS.....5

 2.1 AT-6010-R Receiver5

 2.2 AT-6010-T Transmitter6

 2.3 CT-400 Signal Clamp (optional accessory for the AT-6010)9

3. MAIN APPLICATIONS10

 3.1 Tracing – Energized and De-energized Wires.....11

 3.2 Identifying Breakers and Fuses (Energized and De-energized).....13

4. SPECIAL APPLICATIONS15

 4.1 GFCI-Protected Circuit Wire Tracing15

 4.2 Finding Breaks/Opens.....15

 4.3 Finding Shorts16

 4.4 Tracing Wires in Metal Conduit.....16

 4.5 Tracing Non-Metallic Pipes and Conduits17

 4.6 Tracing Shielded Wires.....17

 4.7 Tracing Underground Wires.....18

 4.8 Tracing Low Voltage Wires and Data Cables18

 4.9 Sorting Bundled Wires19

 4.10 Mapping a Circuit using Test Leads Connection.....19

 4.11 Tracing Breakers on Systems with Light Dimmers20

 4.12 Signal Clamp (optional accessory) - Closed Loop Circuits20

 4.13 Signal Clamp (optional accessory) - Mapping Circuits.....21

5. MAINTENANCE22

 5.1 Battery Replacement22

 5.2 Fuse Replacement.....24

6. SPECIFICATIONS.....25

1. PRECAUTIONS AND SAFETY MEASURES

General

For your own safety and to avoid damage to the instrument it is suggested to follow the procedures listed below:




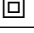
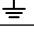
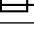






NOTE: Before and during measurements be diligent to follow the instructions.

- Make sure that the electrical instrument is operating properly before use.
- Before attaching any of the conductors, make sure the voltage present in the conductor is within the range of the instrument.
- Keep the instruments in their carrying case when not in use.
- If the Transmitter or Receiver will not be used for a long time, remove the batteries to prevent leakage in the instruments.
- Use Amprobe approved cables and accessories only.

Safety precautions

- In many instances, dangerous levels of voltage and/or current may be present. Therefore, it is important to avoid direct contact with any uninsulated current carrying surfaces. Insulated gloves and protective clothing should be worn in hazardous voltage areas.
- Do not measure voltage or current in wet, damp or dusty places.
- Do not measure voltage in the presence of gas, explosive materials or combustibles.
- Do not touch the circuit under test if no measurement is being taken.
- Do not touch exposed metal parts, such as unused terminals and circuits.
- Do not use the instrument if it appears to be malfunctioning (i.e. if you notice deformations, breaks, leakage of substances, absence of messages on the display, etc).

SYMBOLS

	Caution! Refer to the explanation in this manual.
	WARNING HAZARDOUS VOLTAGE. Risk of electric shock.
	Consult user documentation.
	The equipment is protected by double insulation or reinforced insulation.
	Earth (Ground).
	Fuse.
	Battery.
	Certified by CSA Group to North American safety standards.
	Conforms to relevant South Korean EMC Standards. Electromagnetic Compatibility: Korea (KCC): Class A Equipment (Industrial Broadcasting & Communication Equipment) ^[1] ^[1] This product meets requirements for industrial (Class A) electromagnetic wave equipment and the seller or user should take notice of it. This equipment is intended for use in business environments and is not to be used in homes.
	Conforms to relevant Australian standards.
	Complies with European Directives.
	This product complies with the WEEE Directive marking requirements. The affixed label indicates that you must not discard this electrical/electronic product in domestic household waste. Product Category: With reference to the equipment types in the WEEE Directive Annex I, this product is classed as category 9 "Monitoring and Control Instrumentation" product. Do not dispose of this product as unsorted municipal waste.

1. PRECAUTIONS AND SAFETY MEASURES

Safety information

The product complies with:

- UL/IEC/EN 61010-1, CAN/CSA C22.2 No. 61010-1, Pollution Degree 2, Measurement CAT III 600 V MAX
- IEC/EN 61010-2-033
- IEC/EN 61010-2-032
- IEC/EN 61010-031 (test leads)
- EMC IEC/EN 61326-1

Measurement Category III (CAT III) is applicable to test and measure circuits connected to the distribution part of the building's low-voltage MAINS installation. This part of the installation is expected to have a minimum of two levels of over-current protective devices between the transformer and possible connecting points.

CENELEC Directives

The instrument conforms to CENELEC Low-voltage directive 2014/35/EU and Electromagnetic compatibility directive 2014/30/EU.

Warnings: Read Before Using

To avoid the possibility of electric shock or personal injury:

- Use the Product only as specified in this manual or the protection provided by the instrument may be compromised.
- Avoid working alone so assistance can be rendered.
- Test on a known signal source within the rated voltage range of the Product both before and after use to ensure the Product is in good working conditions.
- Do not use the Product around explosive gas, vapor, or in damp or wet environments.
- Inspect the Product before use and do not use if it appears damaged. Check for cracks or missing plastic. Pay particular attention to the insulation around the connectors.
- Inspect the test leads before use. Do not use if insulation is damaged or metal is exposed.
- Do not use the Product if it operates incorrectly. Protection may be impaired. When in doubt, have the Product serviced.
- Check the test leads for continuity. Replace damaged test leads before using the Product.
- Have the Product serviced only by qualified service personnel.
- Use extreme caution when working around bare conductors or bus bars. Contact with the conductor could result in electric shock.
- Do not hold the Product beyond the tactile barrier.
- Do not apply more than the rated voltage and CAT rating, as marked on the Product, between the terminals or between any terminal and earth ground.
- Remove test leads from the Product before opening the Product case or battery cover.
- Never operate the Product with the battery cover removed or the case open.
- Use caution when working with voltages above 30 V AC RMS, 42 V AC peak, or 60 V DC. These voltages pose a shock hazard.
- Do not attempt to connect to any circuit carrying voltage that may exceed the maximum range of the Product.
- Use the proper terminals, functions and ranges for your measurements.
- When using alligator clips, keep fingers behind the finger guards.
- Use only exact fuse replacement and specified replacement parts.
- When making electrical connections, connect the common test lead before connecting the live test lead; when disconnecting, disconnect the live test lead before disconnecting the common test lead.

1. PRECAUTIONS AND SAFETY MEASURES

- To avoid false readings that can lead to electrical shock and/or injury, replace the batteries as soon as the low battery indicator appears. Check Meter operation on a known source before and after use.
- Use only AA batteries, properly installed in the Meter case, to power the Product (see Section 5.1: Battery Replacement).
- When servicing, use only specified user serviceable replacement parts.
- Adhere to local and national safety codes. Individual protective equipment must be used to prevent shock and arc blast injury where hazardous live conductors are exposed.
- Only use the test lead provided with the Product or UL Listed Probe Assembly rated CAT III 600 V or better.
- Do not use the HOT STICK (TIC 410A) to operate the AT-6000-R Receiver at voltages above 600 V.
- Remove the batteries if the Meter is not used for an extended period of time, or if stored in temperatures above 122 °F (50 °C). If the batteries are not removed, battery leakage can damage the Meter.
- Follow all battery care and charging instructions from the battery manufacturer.
- Do not use the Product to check for absence of voltage. Please use a voltage tester instead.

This manual contains information and warnings that must be followed for safe operation and maintenance of the instrument. If the Product is used in a manner not specified by the manufacturer, the protection provided by the Product may be impaired. This Product meets water and dust protection IP52 (Receiver) and IP40 (Transmitter and signal clamp) per IEC 60529. Do NOT operate outside during periods of rainfall. The Product is double insulated for protection per EN 61010-1 to CAT III 600 V.

CAUTION: Do not connect the Transmitter to a separate ground in Electrically Susceptible Patient areas of a health care facility. Make the ground connection before disconnecting.

Your shipping box should include:

	AT-6010 KIT
AT-6010-R RECEIVER	1
AT-6010-T TRANSMITTER	1
TL-6000-INTL TEST LEAD AND ACCESSORY KIT*	1
CC-6010 SOFT CARRYING CASE	1
USER MANUAL	1
1.5 V AA (IEC LR6) BATTERY	12

*TL-6000-INTL test lead and accessory kit includes:

- 2 x 1 m test leads (red, black)
- 1 x 7 m test lead (green)
- 2 x Alligator clips (red, black)
- 2 x Outlet blade adapter (red, black)
- 2 x Outlet round adapter (red, black)

Optional accessories:

ADPTR-SCT Socket adapter

HS-1 Magnetic hanger

TL-7000-25M Test lead

CT-400 Signal clamp

2. KIT COMPONENTS

2.1 AT-6010-R Receiver

The AT-6010-R Receiver detects the signal in wires and cables. The signal is generated by the AT-6010-T Transmitter, which is connected to the wire.

The main advantage of this method is the ability to trace the path of the particular wire using the Receiver. Since the signal is not present in any neighboring wires, the Receiver will detect only the wire that is connected to the Transmitter.

Note: The Receiver will NOT detect signals from a wire through metal conduit or shielded cable. Refer to Special Applications, section 4.4 "Tracing Wires In Metal Conduit" for alternative tracing methods.

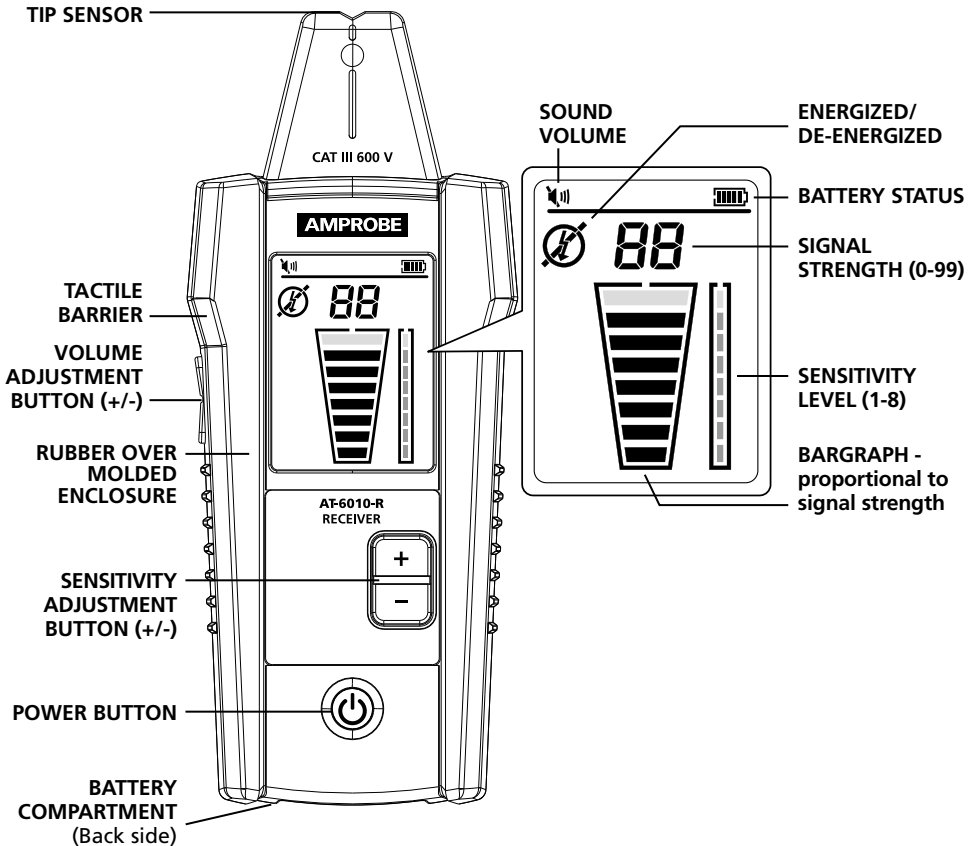


Figure 2.1: Overview of AT-6010-R Receiver

POWER BUTTON: Short press to turn the Receiver on. Long press >2s to turn the Receiver off.

VOLUME ADJUSTMENT: The volume can be changed by short presses on the volume +/- buttons. The mute and four loudness level are available. The chosen volume level will be shown on the display.

TIP SENSOR: The LED on the Tip Sensor will blink when a signal is detected. The stronger the signal, the faster the blinking.

SENSITIVITY: Press +/- buttons to adjust the sensitivity of the Receiver. Eight levels are available.

2. KIT COMPONENTS

2.2 AT-6010-T Transmitter

The AT-6010-T Transmitter works on Energized and De-energized circuits up to 600 V AC/DC in Category I through Category III electrical environments.

Transmitter signal modes:

High Signal (Hi) – The HIGH mode function is recommended for most wire tracing applications on Energized and De-energized circuits including breaker location. This function will be used majority of the time.

Loop mode – This mode is initiated by short pressing On/Off button. Loop LED is On when this mode is activated. It should be used when working with closed loop De-energized circuits, such as shorted wires, shielded cables or De-energized wires that are grounded on the far-end.

How is the Loop function different from the Hi setting when using test leads?

HIGH mode (Hi) generates a signal in all open branches of the De-energized circuit. This is useful when tracing open wires. Hi mode will NOT work on wires that are grounded on the far-end because the signal cannot be generated.

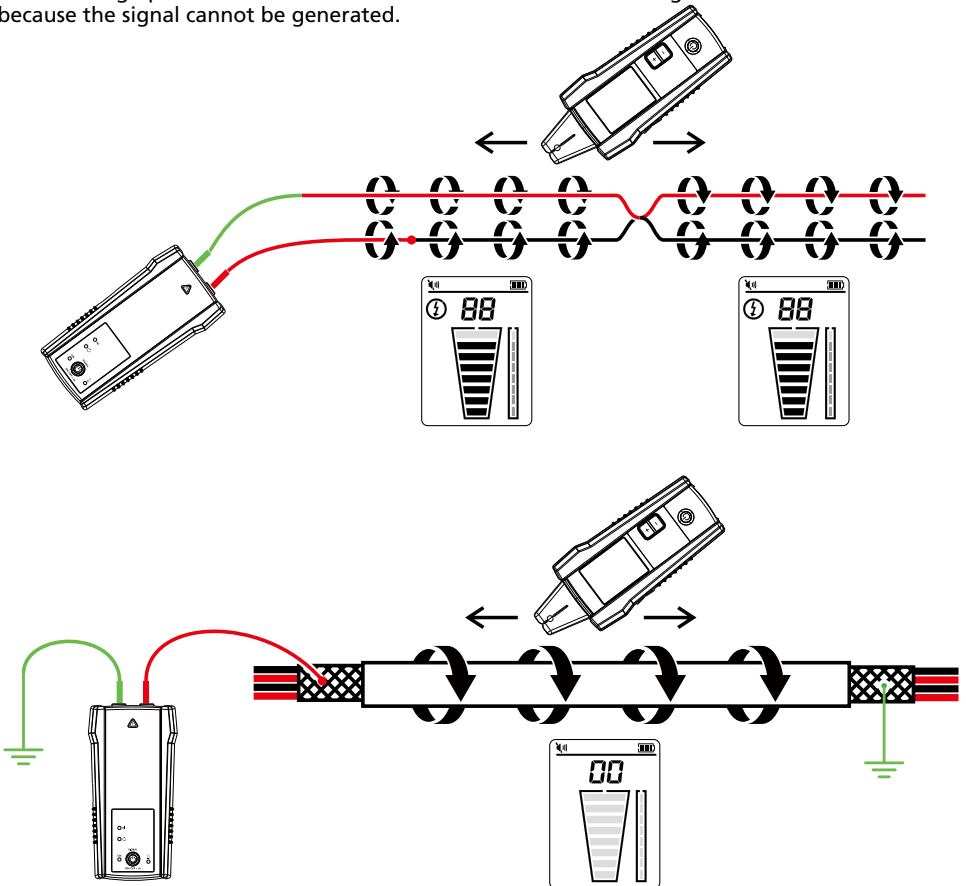


Figure 2.2a: Generating a signal with HIGH mode

Loop mode generates a signal (current flow) in closed loop De-energized circuits only. Loop mode is used to pinpoint the location of a short (because the current will not be able to flow in open branches) and to trace wires that are grounded on the far end (because the loop is closed via ground connection).

2. KIT COMPONENTS

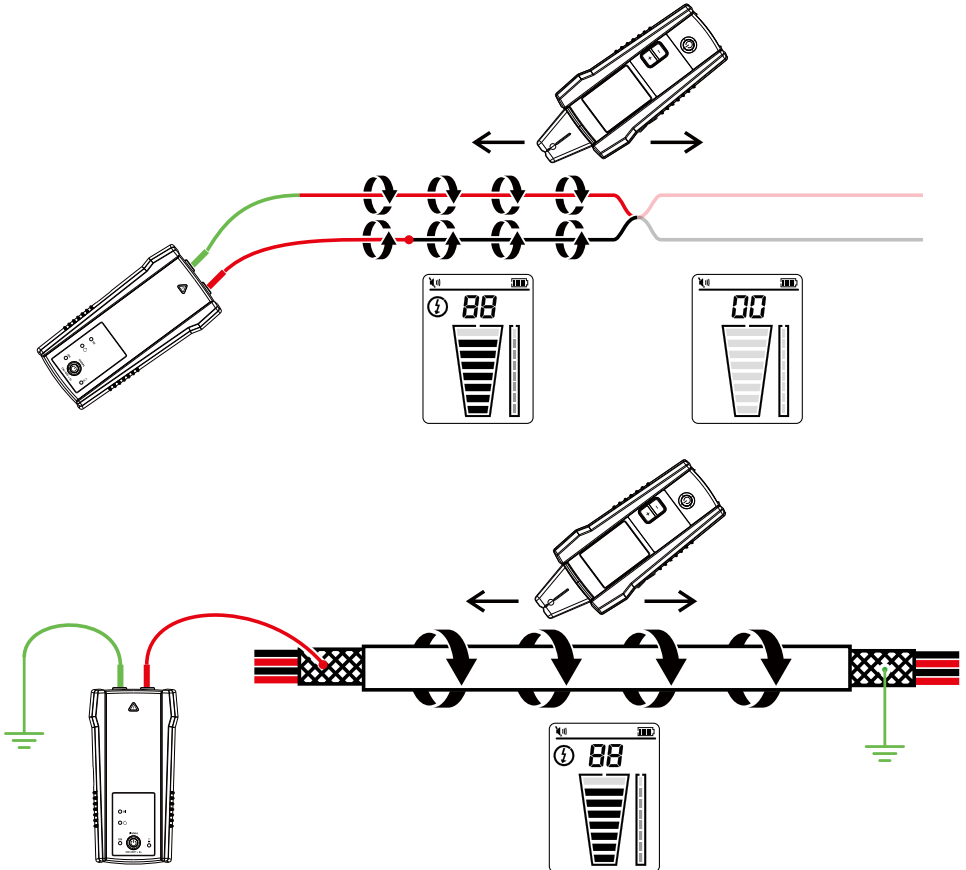


Figure 2.2b: Generating a signal in Loop mode

Note: Loop mode only works on De-energized circuits. It is automatically disabled when the Transmitter is connected to an Energized line with test leads.

Working with the Transmitter:

When the Transmitter is on and connected to the circuit with test leads, it checks for voltage. A red Voltage Warning Indicator will light up if the Transmitter detects dangerous voltage levels above 30 V AC/DC.

IMPORTANT!

The Voltage Warning Indicator light will blink when overvoltage (> 650 V AC/DC) is detected. In case of overvoltage immediately disconnect the Transmitter from the circuit.

This Voltage Warning Indicator is not designed to check for absence of voltage. Please use a voltage tester instead.

The Transmitter starts generating a tracing signal as soon as it is turned on. Based on the detected voltage, the Transmitter automatically switches to either:

- Energized mode (30 to 600 V AC/DC) generating 6 kHz frequency
- De-energized mode (0 to 30 V AC/DC) generating 33 kHz frequency

Energized mode uses a lower transmission frequency (6 kHz) than De-energized mode (33 kHz) to reduce signal coupling between wires. De-energized mode requires a higher frequency in order to generate a reliable signal.

2. KIT COMPONENTS

Energized mode: In Energized mode, the Transmitter draws a very low current from the Energized circuit and generates a 6 kHz signal. This is a very important feature of the Transmitter, since drawing current does not inject any signal that would harm sensitive equipment connected to the circuit. The signal is also generated in a direct path between the Transmitter and the power source, thus NOT placing a signal onto any branches enabling wiring tracing directly back to the breaker panel. Please note that due to this feature, the Transmitter has to be connected on the load side of the circuit.

De-energized mode: In De-energized mode, the Transmitter injects a 33 kHz signal onto the circuit. In this mode, the signal will travel through all the circuit branches because it is injected. The high frequency/low energy signal will not harm any sensitive equipment.

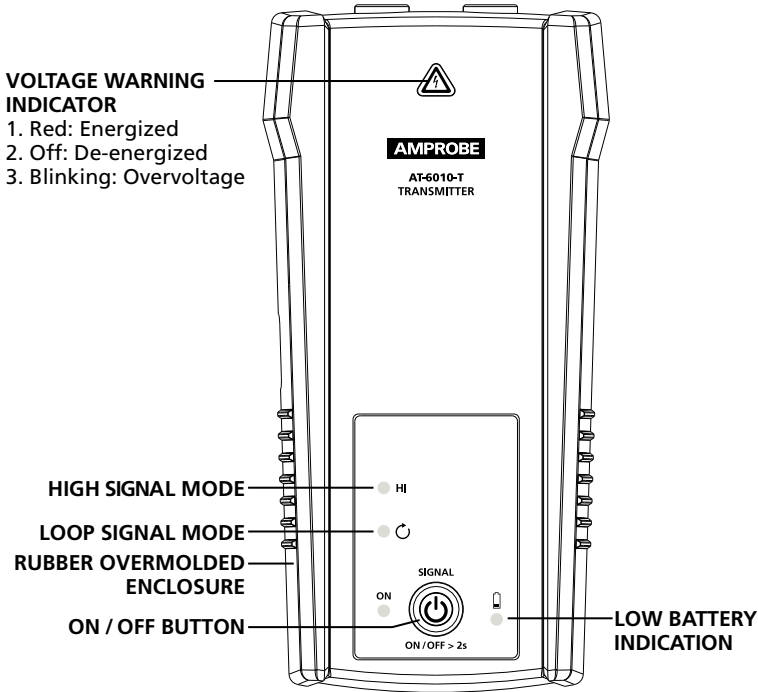


Figure 2.2c: Overview of AT-6010-T Transmitter

ON/OFF:

- Long press >2s to turn the Transmitter on (Transmitter is automatically in HIGH mode).
- Short press ON/OFF button to switch between HIGH and LOOP mode.
- Long press >2s to turn the Transmitter off.

VOLTAGE WARNING INDICATOR: The warning light will be ON for Energized circuits (30 to 600 V AC/DC), OFF for De-energized circuits (0 to 30 V AC/DC), and BLINKING if an overvoltage is detected (> 650 V AC/DC).

Low battery indication:

LED OFF	Batteries OK	approx. 10V to 12V
LED ON	Low battery warning	approx. 9.5V to 10V
LED Blinking	Replace battery	approx. 7.3V to 9.5V

Device will power off if voltage is below 6.9 V

2. KIT COMPONENTS

2.3 CT-400 Signal Clamp

(optional accessory for the AT-6010)

The Signal Clamp accessory is used for applications when where is no access to the bare conductors. The clamp attachment enables the Transmitter to induce a signal through the insulation into either wires. The clamp works on low impedance closed circuits.

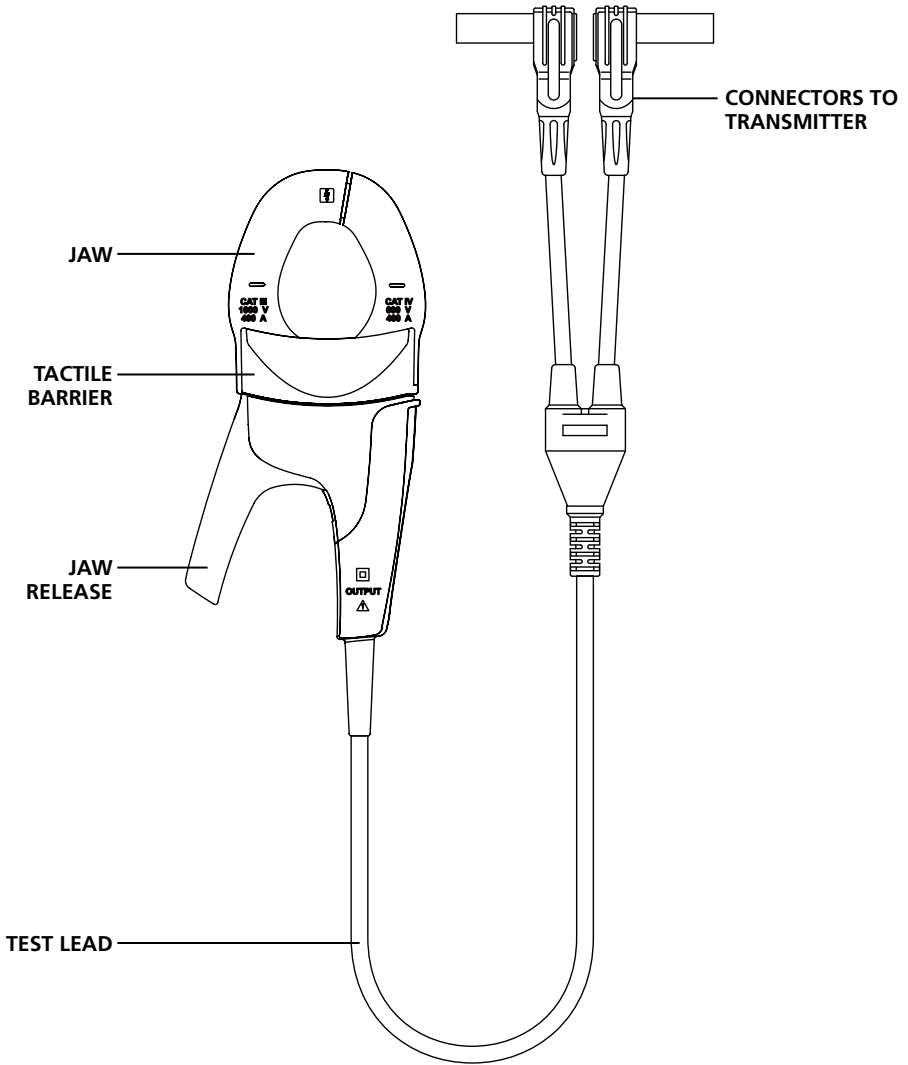


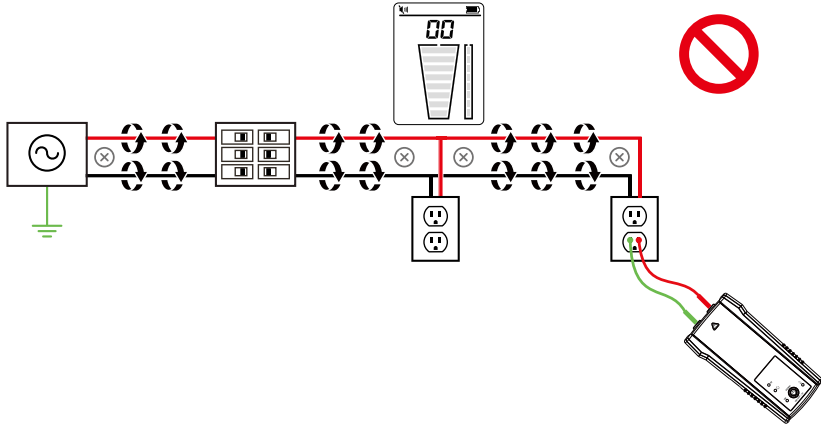
Figure 2.3: Overview of CT-400 Signal Clamp

3. MAIN APPLICATIONS

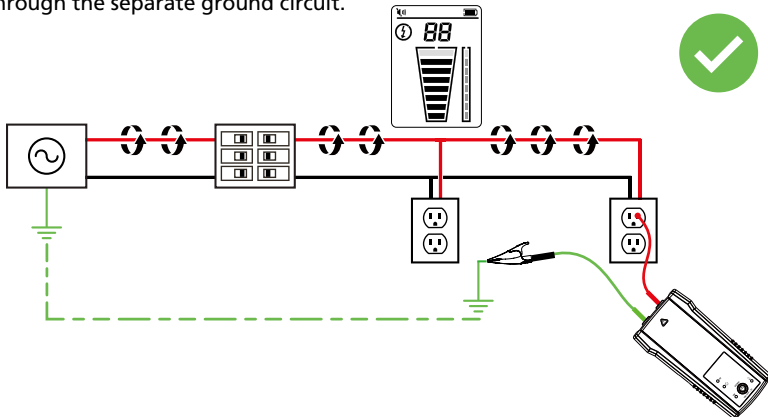
⚠️ ⚠️ IMPORTANT NOTICE, PLEASE READ BEFORE STARTING TRACING

Avoiding signal cancellation problems with a separate ground connection

The signal generated by the Transmitter creates an electromagnetic field around the wire. This field is what is detectable by the Receiver. The clearer this signal, the easier it is to trace the wire. If Transmitter is connected to two adjacent wires on the same circuit (for example, hot and neutral wires on a Romax cable), the signal travels in one direction through the first wire and then returns (in opposite direction) through the second. This causes the creation of two electromagnetic fields around each wire with opposite direction. These opposing fields will partially or completely cancel each other out, making wire tracing difficult if not impossible.



To avoid the cancellation effect, a separate ground connection method should be used. The red test lead of the Transmitter should be connected to the hot wire of the circuit you wish to trace, and the green lead to a separate ground, such as water pipe, ground stake, metal grounded structure of the building, or outlet ground connection of an outlet on a different circuit. It is important to understand that an acceptable separate ground is NOT the grounding terminal of any receptacle on the same circuit as the wire you wish to trace. If hot wire is Energized and the Transmitter is properly connected to a separate ground, the red LED on the Transmitter will light up. The separate ground connection creates maximum signal strength because the electromagnetic field created around the hot wire is not being cancelled by a signal on the return path flowing along an adjacent wire (hot or neutral) in the opposite direction, but rather through the separate ground circuit.



3. MAIN APPLICATIONS - TRACING ENERGIZED AND DE-ENERGIZED WIRES

3.1 Tracing – Energized and De-energized Wires

Connecting test leads to the Transmitter

1. Connect the green and red test leads to the Transmitter (polarity does not matter).
2. Using provided test leads accessories, connect the red test lead to the wire being traced, Energized or De-energized. For receptacles, make sure to connect the test lead to the line (hot) wire. For Energized systems the signal will ONLY be transmitted between the load-side to which the Transmitter is connected and the source of power (see Figure 3.1a).
3. Connect the green wire to a separate ground (metal building structure, metal water pipe, or ground wire on a separate circuit).

***Note:** Please note that if working with GFCI protected circuits, this method will trip the GFCI protection. Refer to Special Applications, section 4.1 “GFCI-Protected Circuit Wire Tracing” for alternative tracing methods.

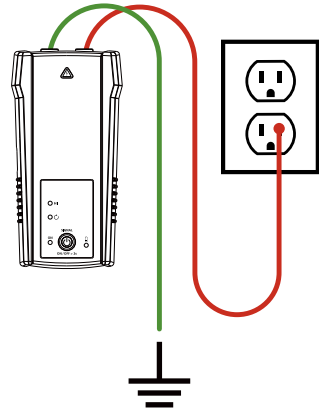


Figure 3.1a: Proper connection with separate ground

TIP: The Transmitter, with the red test lead, can be directly connected to the live wire of the working electrical equipment under load (motor, electronics, etc). Tracing can be performed without needing to turn off the equipment or switching power off.

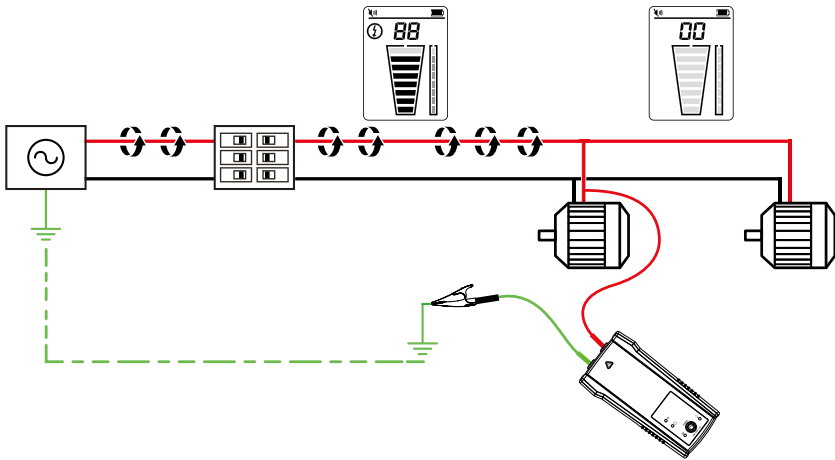


Figure 3.1b: Connecting Transmitter to Energized working system

Setting up the AT-6010-T Transmitter

1. Press ON/OFF key to turn on the Transmitter.
2. Verify that the test leads are properly connected; the red LED voltage status light should be on for circuits with voltage above 30 V AC/DC, and it should be off for De-energized circuits below 30 V AC/DC.
Note: Make sure to use the separate ground connection as described above.
3. HIGH signal mode is automatically activated when the Transmitter is turned on. The LED on the Transmitter should appear as in Figure 3.1c.

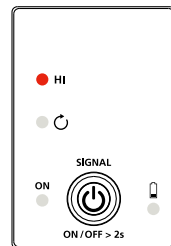


Figure 3.1c: Transmitter indicator showing signal in HIGH mode

3. MAIN APPLICATIONS - TRACING ENERGIZED AND DE-ENERGIZED WIRES

Using the AT-6010-R Receiver in Tracing Mode

Use Receiver to precisely pinpoint the wire location or the place of the fault. The Receiver will indicate detected signal strength using a two digit readout, bar graph and sound.

1. Turn the Receiver on. Tracing mode is automatically activated.
2. Scan target area with the Tip Sensor to find the highest signal level. While tracing, periodically adjust sensitivity to keep the signal strength near 50. Increase or decrease sensitivity by pressing + or - on the keypad.
3. For best results while tracing Energized wires, align groove on the Tip Sensor with wire direction as shown in Figure 3.1d. Signal may be not detected if not properly aligned. To verify wire direction, periodically rotate the Receiver 90 degrees. Signal strength will be the highest when wire is aligned with the Tip Sensor groove.

Depending on the detected signal, the Receiver automatically switches to either Energized ⚡ or De-energized ⚡ mode, and displays this information on the LCD. No manual setup is necessary.

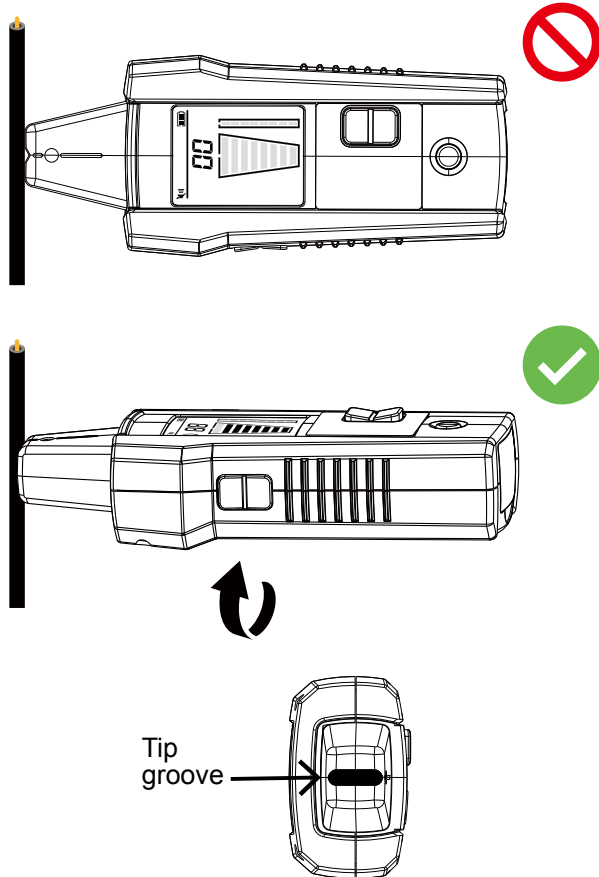


Figure 3.1d: Aligning the Tip Sensor groove

Note: For best results, keep the Receiver at least 3 feet from the Transmitter and test leads to minimize signal interference.

3. MAIN APPLICATIONS - TRACING ENERGIZED AND DE-ENERGIZED WIRES

3.2 Identifying Breakers and Fuses (Energized and De-energized)

Note: For breaker locating, a simplified direct connection to hot and neutral wires can be used because these wires are separated at the breaker panel. There is no risk of signal cancellation effect if wires are at least a few inches away from each other. However, the separate ground connection (section 3.1) should be used for superior results specifically if wires need to be traced in addition to breaker identification.

The simplified direct connection to hot and neutral wire will NOT trip the GFCI circuit.

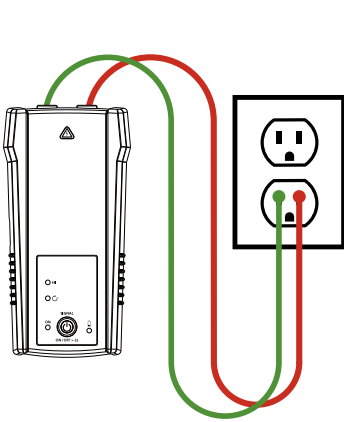


Figure 3.2a: Simplified direct connection

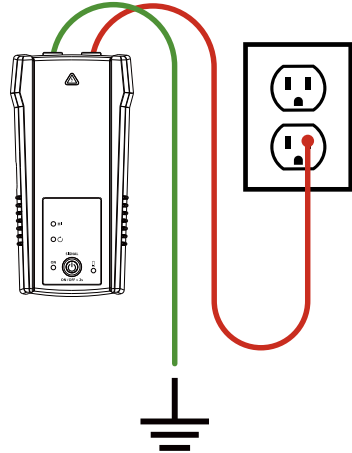


Figure 3.2b: Separate ground connection (Preferred)

Connecting the test leads

1. Connect the Transmitter using either simplified direct connection or separate ground connection.
2. If the simplified direct connection method is used, connect the test leads directly to the hot and neutral wires. While locating a breaker, wires will not be traceable as the signals will cancel each other out.
3. For separate ground connection, connect the red lead to the line (hot) wire on the load side of the system. The wire can be energized or de-energized. Connect the green lead to a separate ground, such as a metal building structure, metal water pipe, or ground wire on a separate circuit.

TIP: The Transmitter, with the red test lead, can be directly connected to the live wire of the working electrical equipment under load (motor, electronics, etc). Tracing can be performed without needing to turn off the equipment or switching power off.

3. MAIN APPLICATIONS – LOCATING BREAKERS

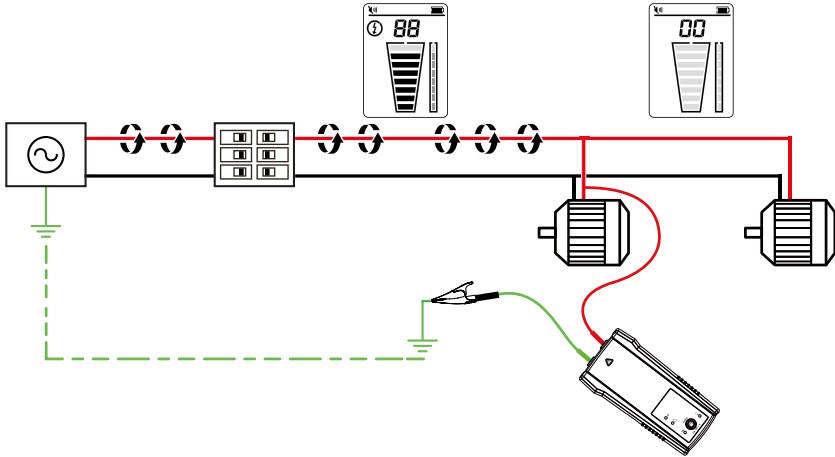


Figure 3.2c: Connecting Transmitter to Energized working system

Setting up the AT-6010-T Transmitter

1. Press the ON/OFF key to turn on the Transmitter.
2. Verify that the test leads are properly connected. The red LED voltage status light will illuminate for Energized circuits with a voltage above 30 V AC/DC. If the voltage is De-energized, the light will be off.
3. HIGH signal mode is automatically activated when Transmitter is turned on.

Using the AT-6010-R Receiver

1. Turn the Receiver on. Tracing mode is automatically activated.
2. Align the groove on the Tip Sensor with the breaker lengthwise (See Figure 3.2d).
3. Scan all breakers in any order to find a breaker with the highest signal. Adjust sensitivity by pressing + or - on the keypad to show the signal strength near 50 for the breaker with the highest signal. After any sensitivity adjustment rescan all breakers to find the one with the highest signal level.

Important note: Differentiation in breaker designs, height and internal contact structure may affect the precision of breaker identification. For most reliable results, remove the breaker panel cover and perform a scan on the wires instead of the breakers.

Depending on the detected signal, the Receiver automatically switches to either Energized ⚡ or De-energized ⚡ mode, and displays this information on the LCD.

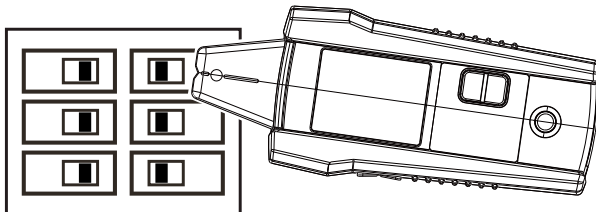


Figure 3.2d: Aligning the Tip Sensor groove with the breaker

4. SPECIAL APPLICATIONS

4.1 GFCI-Protected Circuit Wire Tracing: Connecting the AT-6010-T Transmitter to GFCI Protected Circuits

Connecting the Transmitter to an Energized GFCI protected circuit using a separate ground method will trip the GFCI protection. Use the following methods to work with GFCI protected circuits. For a De-energized GFCI-protected outlet that is not tripped, you can connect test leads directly to the outlet contacts using the De-energized Tip Sensor mode.

Method 1 – Bypass the GFCI circuitry to avoid tripping GFCI:

(for Energized GFCI-protected outlets only)

- Remove the protective receptacle wall plate.
- Using the alligator clip, attach the red test lead to the screw to connect the Energized hot wire to the receptacle.
- Connect the green test lead using a separate ground method.
- Perform tracing as described in sections 3.1 or 3.2.

Method 2 – Do NOT use separate ground to avoid tripping GFCI:

(for GFCI-protected outlets and breakers)

- Connect the Transmitter with the test leads to the Neutral and Hot wires.
- Perform tracing as described in sections 3.1 or 3.2.

Note: This type of connection causes signal coupling and reduces signal strength. If the signal is too weak or untraceable, use Method 3.

Method 3 - De-energize the circuit:

(for GFCI-protected breakers)

- Connect the Transmitter directly to the wire as described in section 3.1.
- Perform tracing as described in sections 3.1 or 3.2.

4.2 Finding Breaks/Opens

It is possible to pinpoint the exact location where a wire is broken, even if the wire is located behind walls, floors or ceilings.

1. Make sure that wire is De-energized.
2. Use the steps described in section 3.1 to connect the Transmitter and perform tracing.
3. For best results, ground all De-energized wires that run parallel with the black test lead.

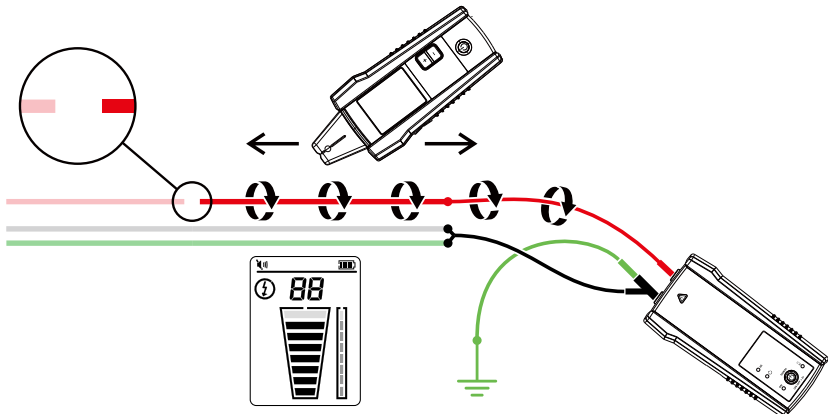


Figure 4.2: Locating a break or open

4. SPECIAL APPLICATIONS

The tracing signal generated by the Transmitter is conducted along the wire as long as there is continuity in the metal conductor. To find a fault, trace the wire until the signal stops. To verify the fault's location, move the Transmitter to the other end of the wire and repeat, tracing from the opposite end. If signal stops at the exact same location, the fault has been located.

Note: If the place of the fault is not found, the result may be a high resistance break (partially open circuit). Such a break would stop higher currents from flowing but will conduct the tracing signal through the break. Such faults will not be detected until the wire is completely open.

4.3 Finding Shorts

Shorted wires will cause a breaker to trip. To correct this, disconnect the wires and make sure the ends of the wires on both sides of the cable are isolated from each other and other wires or loads.

1. Connect the Transmitter with the test leads to the circuit as shown in Figure 4.3.
2. Switch the Transmitter to Loop mode by short press of On/Off button. Verify that the Loop LED is ON.
3. Turn on the Receiver. Tracing mode is automatically activated.

Start tracing the cable until the signal stops. To verify the place of the fault, move the Transmitter to the other end of the wire and repeat tracing from the opposite end. If the signal stops at the exact same location the fault has been located.

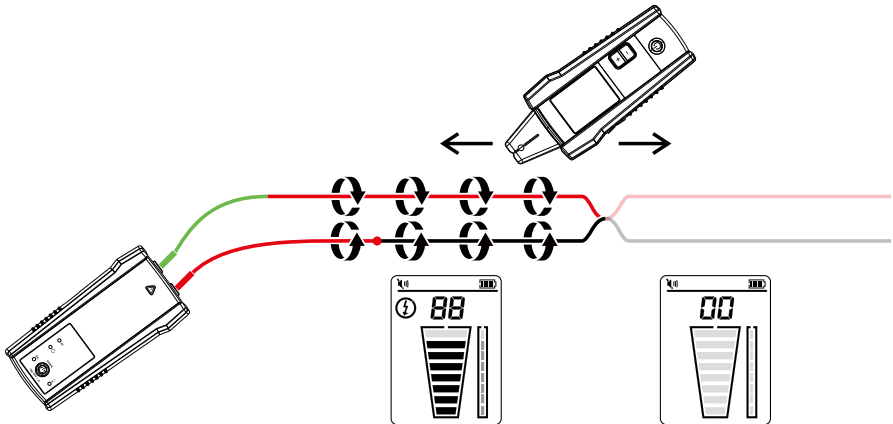


Figure 4.3: Tracing a cable to find shorts

Note: This method will be affected by signal cancellation effect. Expect a relatively weak signal.

4.4 Tracing Wires in Metal Conduit

The Receiver is unable to pick up the signal from a wire through a metal conduit. The metal conduit will completely shield the tracing signal.

Note: The Receiver will be able to detect wires in a non-metallic conduit. For these applications follow general tracing guidelines.

To trace wires in a metal conduit:

1. Turn on the Receiver. Tracing mode is automatically activated.
2. Open junction boxes and use the Receiver Tip Sensor to detect which wire in the junction box is carrying the signal.
3. Move from junction box to junction box to follow the path of the wire.

Note: Applying a signal directly to the conduit will send the signal through all the conduit branches, making tracing a particular conduit path impossible.

4. SPECIAL APPLICATIONS

4.5 Tracing Non-Metallic Pipes and Conduits

The Transmitter can indirectly trace plastic conduits and pipes using the following steps:

1. Insert fish tape or wire inside the conduit.
2. Connect the Transmitter with the red test lead to the fish tape and the green ground wire to a separate ground (see section 3.1 for further set-up instructions).
3. Turn on the Receiver and trace the conduit. Tracing mode is automatically activated.
4. The Receiver will pick up the signal conducted by the fish tape or wire through the conduit.

4.6 Tracing Shielded Wires

Shielded wire prevents the Receiver from detecting a tracing signal when following the standard user instructions. To effectively trace shielded wire, follow these procedures.

If shielded wire is grounded at the far-end:

1. Switch the Transmitter to Loop mode by short press of On/Off button. Verify that the Loop LED is ON.
2. Disconnect the ground on the near-end of the shielded wire and connect the shield to one of the terminals of the Transmitter (polarity does not matter) with a test lead.
3. Connect the second output of the Transmitter to a separate ground.
4. Turn on the Receiver and trace the shield. Tracing mode is automatically activated.

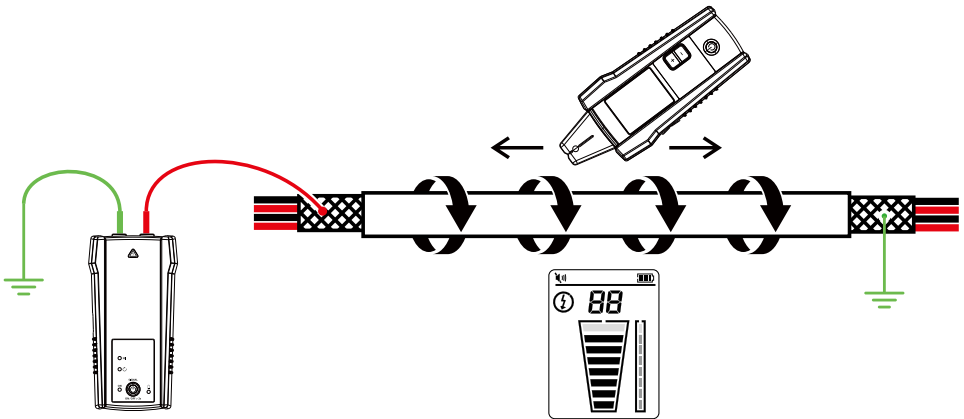


Figure 4.6a: Tracing a shielded wire grounded at the far-end

If shielded wire is disconnected from ground at the far-end:

1. Connect the Transmitter directly to the wire as described in section 3.1.
2. Disconnect the ground on the near-end of the shielded wire and connect the shield to one of the terminals of the Transmitter (polarity does not matter) with a test lead.
3. Connect the second output of the Transmitter to a separate ground.
4. Turn on the Receiver and trace the shield. Tracing mode is automatically activated.

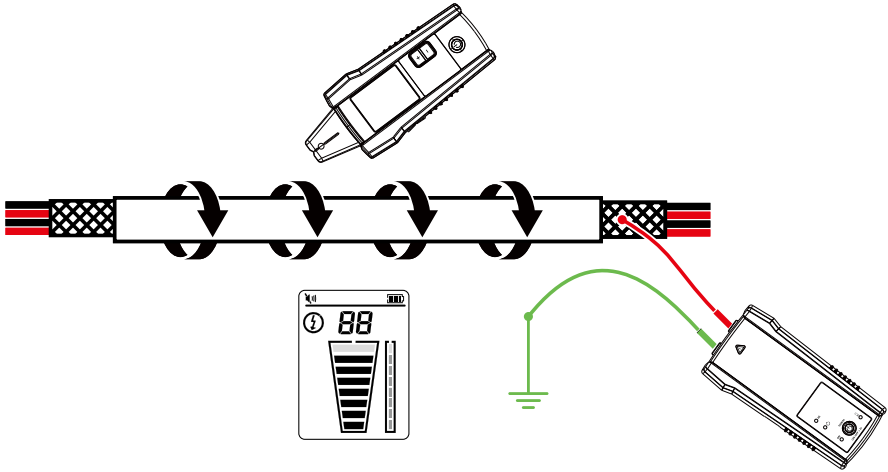


Figure 4.6b: Tracing a shielded wire disconnected from the ground at far-end

4.7 Tracing Underground Wires

The AT-6010 can trace Energized and De-energized wires underground the same way it can locate wires behind walls or floors. Follow general wire tracing instructions in section 3.

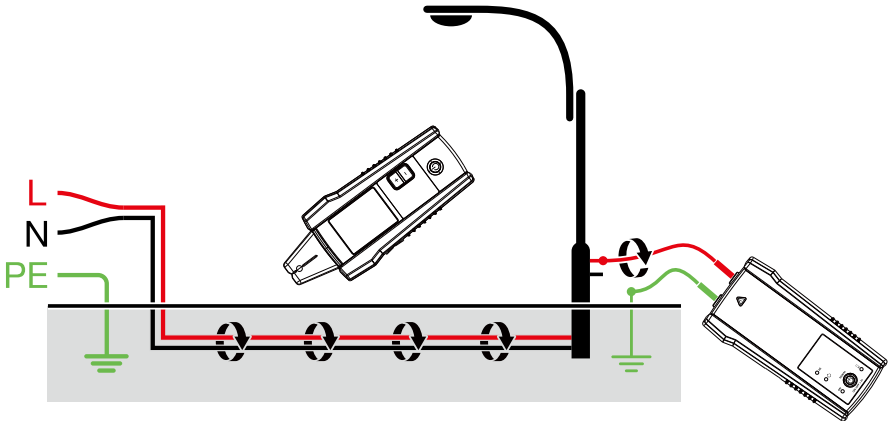


Figure 4.7: Tracing underground wires

4.8 Tracing Low Voltage Wires and Data Cables

The AT-6010 can trace data, audio and thermostat cables (to trace shielded data cables, refer to section 4.6).

Trace data, audio, and thermostat cables

1. Connect the Transmitter using the separate ground method described in section 3.1.
2. Turn on the Receiver and trace the wire. Tracing mode is automatically activated.

4. SPECIAL APPLICATIONS

4.9 Sorting Bundled Wires

Identify a specific wire in a bundle

1. Connect the Transmitter as described in section 3.1. If connecting to an Energized wire, make sure the Transmitter is connected on the load side.
2. Turn on the Receiver. Tracing mode is automatically activated.
3. One at a time, pull each wire away from the others and touch it with the Tip Sensor of the Receiver. The strongest signal indicates the proper wire in the bundle.
4. Adjust the Receiver sensitivity as required with +/- buttons.

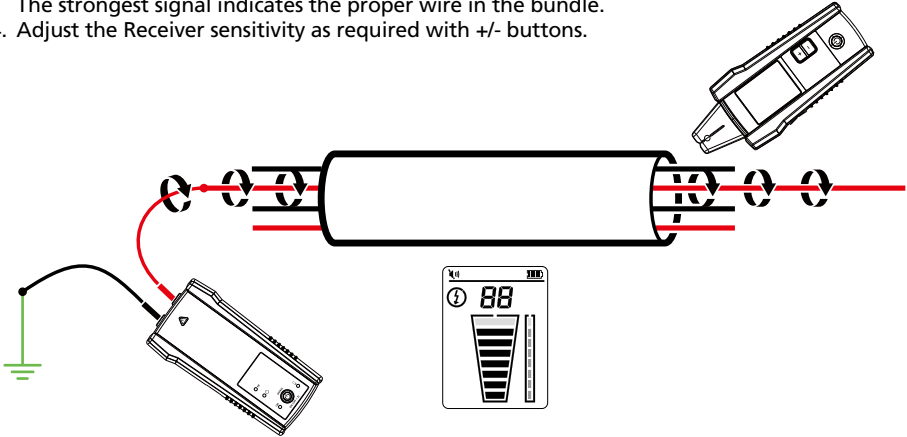


Figure 4.9: Identifying a specific wire in a bundle

4.10 Mapping a Circuit using Test Leads Connection

Mapping a circuit can be only performed on a De-energized circuit when using test leads connection.

1. Switch the breaker to the OFF position.
2. Set up the Transmitter and Receiver as described in the section 3.1.
3. Scan face plates of receptacles and wires connecting loads with the Tip Sensor of the Receiver
4. All the wires, receptacles and loads that have a strong signal as indicated by the Receiver are connected to the breaker.

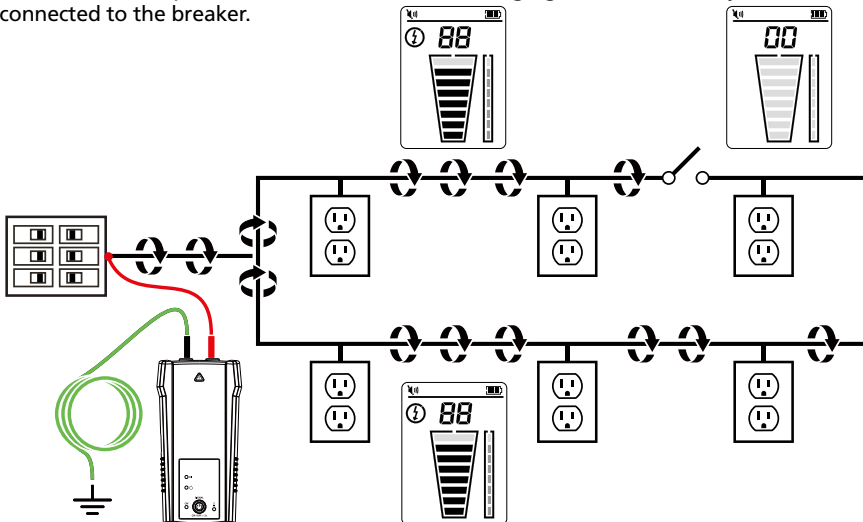


Figure 4.10: Mapping a circuit using test leads connection

4. SPECIAL APPLICATIONS

4.11 Tracing Breakers on Systems with Light Dimmers

Light dimmers can produce a significant amount of electrical “noise” that consists of multi-frequency signals. In some rare situations, the Receiver can misread this noise, often called a “ghost” signal, as a Transmitter - generated signal. Therefore, the Receiver may provide wrong readings.

When locating breakers or fuses on systems with light dimmers, the dimmer should be off (the light switch is off). This prevents the Receiver from indicating a wrong breaker/fuse.

4.12 Signal Clamp (optional accessory) - Closed Loop Circuits

Closed loop, De-energized and low impedance circuits

The clamp accessory is used for applications where there is no access to a bare conductor to connect the test leads. When the clamp is connected to the Transmitter, it enables the Transmitter to induce a signal to the Energized or De-energized wire through the insulation. Typical applications of the Signal Clamp include tracing conduits or shields grounded on both ends. For signal cables and De-energized wires or loads, temporarily ground the circuit on both ends to perform tracing.

Connecting the Signal Clamp

1. Connect the CT-400 test leads to the terminals of the Transmitter (polarity does not matter).
2. Clamp the CT-400 Signal Clamp around the conductor. To increase the signal strength, wind a few turns of the conductor wire around the clamp if possible.

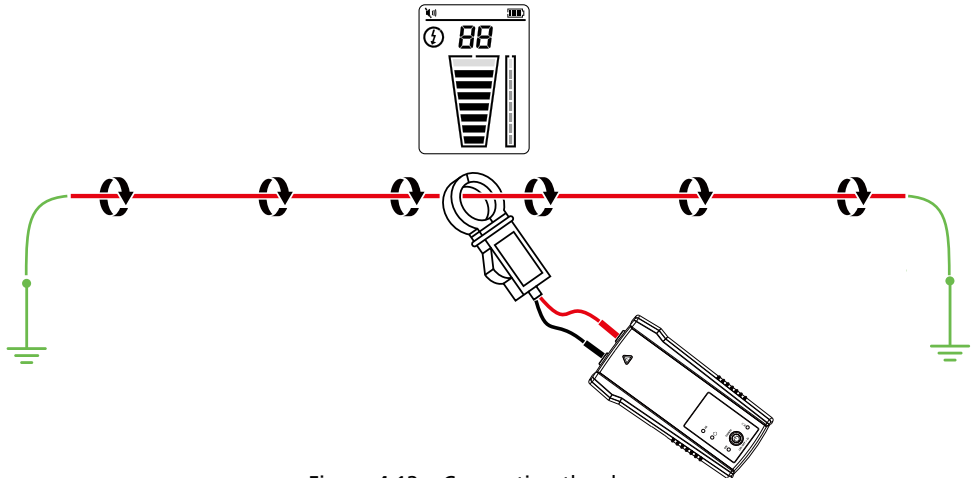


Figure 4.12a: Connecting the clamp

Setting up the AT-6010-T Transmitter

1. Press the ON/OFF key to turn on the Transmitter. The red LED voltage status indicator should be OFF when the clamp is connected and when working with either Energized or De-energized systems.
2. Short press ON/OFF button to select the Loop mode (LOOP red LED will be ON). The clamp mode generates a boosted 6 kHz signal in order to provide superior tracing results. The LED on the Transmitter should appear as in Figure 4.12b.

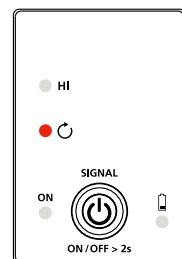


Figure 4.12b: Transmitter indicator showing signal in Loop mode

4. SPECIAL APPLICATIONS

Using the AT-6010-R Receiver

1. Turn on the Receiver. Tracing mode is automatically activated.
2. Hold the Receiver with the Tip Sensor facing the target area.
3. Scan the target area with the Tip Sensor to find the highest signal level. While tracing, periodically adjust the sensitivity to keep the signal strength near 50. Increase or decrease the sensitivity by pressing + / - on the keypad.
4. Receiver Positioning: For best results while tracing Energized wires, align the groove on the Tip Sensor with the wire direction as shown. The signal may be lost if not properly aligned.
5. To verify the wire direction, periodically rotate the Receiver 90 degrees. Signal strength will be highest when wire is aligned with the Tip Sensor groove.

4.13 Signal Clamp (optional accessory) - Mapping Circuits

The clamp accessory can be used to map loads to the specific breakers on both Energized and De-energized circuits. There is no need to disconnect the power.

1. Connect the CT-400 test leads to the terminals of the Transmitter (polarity does not matter) and select HIGH mode.
2. Clamp the CT-400 around the hot (line) wire at the breaker panel.
3. Set Receiver sensitivity to the maximum level by pressing + button.

Scan the face plates of receptacles and wires by touching them with the Tip Sensor of the Receiver. All the wires, receptacles and loads that the Receiver indicates by reading a signal are connected to the breaker.

Note: Expect a relatively weak signal. For best performance, install new batteries to the Transmitter. Use the "Mapping a circuit using test leads connection" method if a much stronger signal is required.

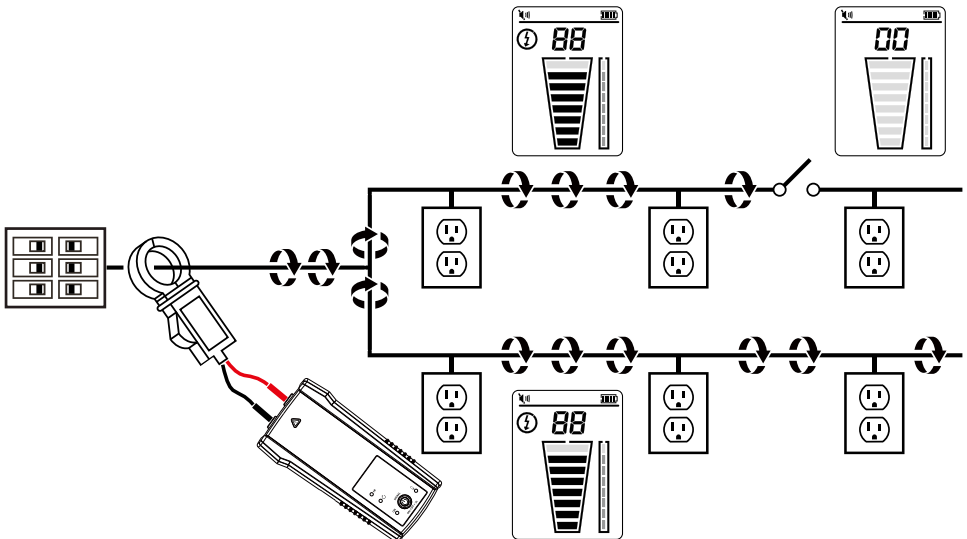


Figure 4.13: Using the Signal Clamp to map loads to specific breakers

5. MAINTENANCE

5.1 Battery Replacement

Changing the Transmitter Batteries

The battery compartment on the back of the Transmitter is designed to make it easy for the user to change the batteries. A screw is added to secure the battery in case the unit is dropped. Eight (8) AA alkaline batteries should be used.

Note: Batteries do not come pre-installed in the Transmitter.

1. Make sure that the Transmitter is turned off and disconnected from the circuit.
2. Use a star screw driver to unscrew the battery compartment screws.
3. Remove the battery cover.
4. Install batteries.
5. Replace the battery cover and secure it with the screws.

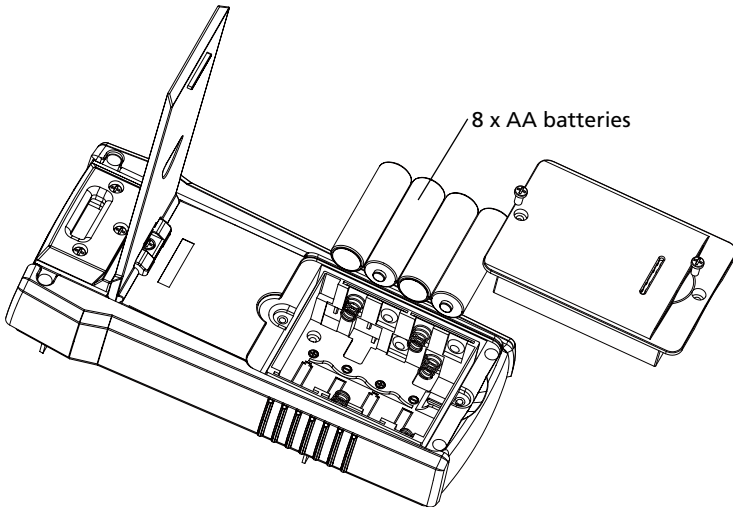


Figure 5.1a: Changing the Transmitter batteries

5. MAINTENANCE

Changing the Receiver Batteries

The battery compartment on the back of the Receiver is designed to make it easy for the user to change the batteries. Use four (4) AA 1.5 V alkaline batteries.

Note: Batteries do not come pre-installed in the Receiver.

1. Make sure that the Receiver is turned off.
2. Use a screw driver to unscrew the captive screw.
3. Remove the battery cover.
4. Install batteries.
5. Replace the battery cover and secure it with the provided screw.

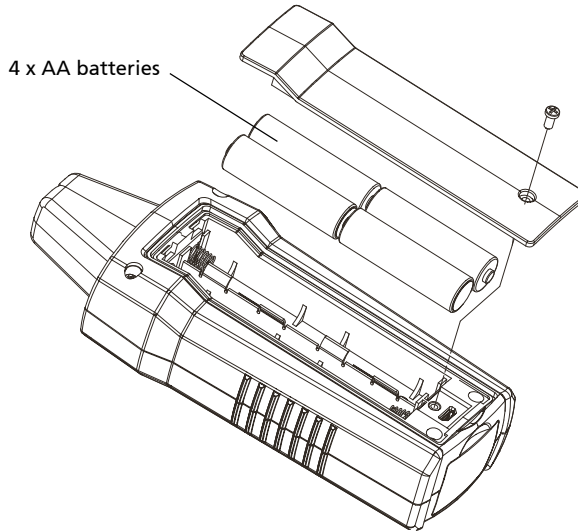


Figure 5.1b: Changing the Receiver batteries

5. MAINTENANCE

5.2 Fuse Replacement

Transmitter Fuse Replacement:

⚠ ⚠ Warning: To avoid shock, injury, or damage to the Transmitter, disconnect test leads before opening case.

1. Disconnect all test leads from the Transmitter.
2. Make sure the Transmitter is turned off.
3. Use a star screw driver to unscrew the tilt-stand screws.
4. Remove the battery door and remove all batteries.
5. Use a star screw driver to unscrew holding screws.
6. Remove the back cover by pulling it upwards.
7. Remove the fuse from the fuse holder.
8. Insert the new fuse (1.6 A, 700 V MAX, FAST \varnothing 6X32 mm) in the fuse holder.
9. Insert the back cover, secure it with the holding screws and tighten with a star screw driver.

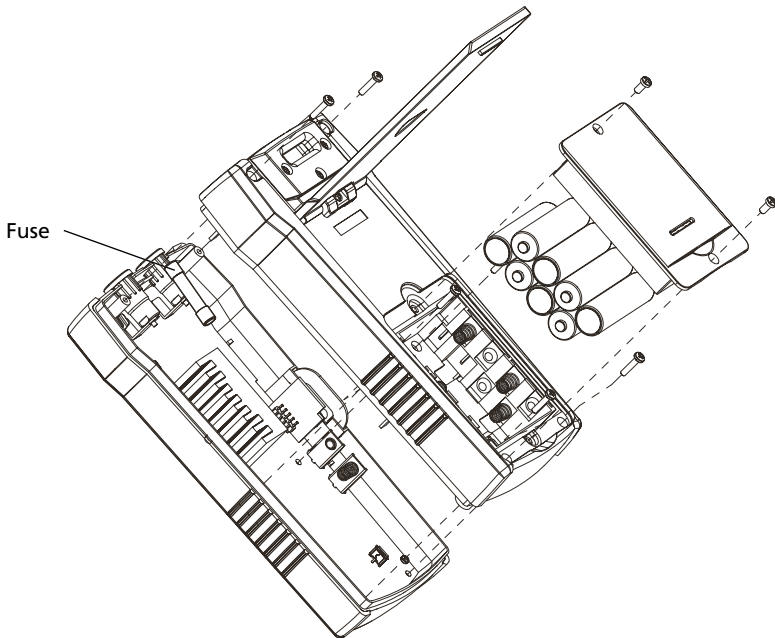





Figure 5.2: Transmitter fuse replacement

6. SPECIFICATIONS

Features	AT-6010-R	AT-6010-T	CT-400
Measurement Category	CAT III 600 V	CAT III 600 V	CAT IV 600 V, CAT III 1000 V
Operating Voltage	0 to 600 V AC/DC	0 to 600 V AC/DC	0 to 1000 V AC
Operating Frequency	Energized: 6.25 kHz De-Energized: 32.768 kHz	Energized: 6.25 kHz De-Energized: 32.768 kHz	Wire tracing: 32.768 kHz AC current measurement: 45 Hz to 400 Hz
Hazardous Voltage Detection	N/A	> 30 V AC/DC	N/A
Signal Indications	Numeric bar graph display and audible beep	LEDs	N/A
Response Time	Tip Sensor (Energized / De-energized): 500 ms Battery voltage monitoring: 5 sec	Line voltage monitoring: 1 sec Battery voltage monitoring: 5 sec	Instantaneous
Current Output of Signal (typical)	N/A	Energized circuit: HI mode: 60 mA RMS De-energized circuit: HI mode: 130 mA RMS Loop mode: 160 mA RMS	1 mA/A for AC current measurement with multimeter
Signal Voltage Output (nominal)	N/A	De-energized circuit: HIGH: 33 V RMS, 140 Vp-p With CT-400: Loop model: 31 V RMS, 120 Vp-p	De-energized circuit: 2.4 V RMS, 24 Vp-p
Range Detection (open air)	Tip Sensor (Energized): Max distance via air: up to 20 ft (6.1 m) Pinpointing: approx. 1.97 in (5 cm) Tip Sensor (De-energized): Max distance via air: up to 14.7 ft (4.5 m) Pinpointing: approx. 1.97 in (5 cm)	N/A	N/A



6. SPECIFICATIONS

General specifications

Features	AT-6010-R	AT-6010-T	CT-400
Display Size	LCD 2.5 in (6.35 cm)	LEDs	N/A
Display Dimensions (W x H)	1.45 x 1.93 in (36.72 x 48.96 mm)	N/A	N/A
Display Type	Segment LCD	LEDs	N/A
Display Color	Black and white	Operating mode LEDs: red Battery status LED: red	N/A
Booting Time	< 3 sec	< 2 sec	N/A
Backlight	Yes	N/A	N/A
Operating Temperature	-4 °F to 122 °F (-20 °C to 50 °C)	-4 °F to 122 °F (-20 °C to 50 °C)	32 °F to 122 °F (0 °C to 50 °C)
Operating Humidity	45%:-4 °F to <50 °F (-20 °C to <10 °C) 95%:50 °F to <86 °F (10 °C to <30 °C) 75%:86 °F to <104 °F (30 °C to <40 °C) 45%:104 °F to 122 °F (40 °C to 50 °C)	45%:-4 °F to <50 °F (-20 °C to <10 °C) 95%:50 °F to <86 °F (10 °C to <30 °C) 75%:86 °F to <104 °F (30 °C to <40 °C) 45%:104 °F to 122 °F (40 °C to 50 °C)	95%:50 °F to <86 °F (10 °C to <30 °C) 75%:86 °F to <104 °F (30 °C to <40 °C) 45%:104 °F to <122 °F (40 °C to <50 °C)
Storage Temperature and Humidity	-4 °F to 158 °F (-20 °C to 70 °C), <95% RH	-4 °F to 158 °F (-20 °C to 70 °C), <95% RH	-4 °F to 140 °F (-20 °C to 60 °C), <95% RH
Operating Altitude	0 to 6561 ft (2000 m)	0 to 6561 ft (2000 m)	0 to 6561 ft (2000 m)
Transient Protection	N/A	6.00 kV (1.2/50µs surge)	N/A
Pollution Degree	2	2	2
IP Rating	IP 52	IP 40	IP 40
Drop Test	3.28 ft (1 m)	3.28 ft (1 m)	3.28 ft (1 m)
Power Supply	4 x AA (alkaline)	8 x AA (alkaline)	N/A
Power Consumption (typical)	70 mA	Hi mode: 70 mA Loop mode with Clamp: 90 mA Consumption without signal transmission: 10 mA	N/A
Battery Life (typical)	Approx. 25 h	Hi mode: approx. 25 h Loop mode: approx. 18 h	N/A
Low Battery Indication	Yes	Yes	N/A
Fuse	N/A	1.6 A, 700 V, fast-acting, Ø 6x32mm	N/A
Maximum conductor size	N/A	N/A	1.26 in (32 mm)
Dimensions (L x W x H)	Approx. 7.2 x 2.95 x 1.69 in (183 x 75 x 43 mm)	Approx. 7.2 x 3.66 x 1.97 in (183 x 93 x 50 mm)	Approx. 5.9 x 2.75 x 1.18 in (150 x 70 x 30 mm)
Weight (batteries installed)	Approx. 0.6 lb (0.27 kg)	Approx. 1.25 lb (0.57 kg)	Approx. 0.25 lb (0.114 kg)
Certifications			

6. SPECIFICATIONS

Accessory specifications

Features	TL-6000-INTL
Measurement Category	CAT III (test leads) CAT IV (alligator clips) CAT II (outlet adapters)
Operating Voltage and Current	1000 V, 16 A max. (red/green leads) 600 V, 16 A max. (black lead) 600 V, 10 A max. (alligator clips) 300 V, 10 A max. (outlet adapters)
Operating Temperature	32 °F to 122 °F (0 °C to 50 °C)
Operating Humidity	95%: 50 °F to <86 °F (10 °C to <30 °C) 75%: 86 °F to <104 °F (30 °C to <40 °C) 45%: 104 °F to <122 °F (40 °C to <50 °C)
Storage Temperature and Humidity	-4 °F to 140 °F (-20 °C to 60 °C), <95% RH
Operating Altitude	0 to 6561 ft (2000 m)
Pollution Degree	2
IP Rating	IP 20
Drop Test	3.28 ft (1 m)
Dimensions	Red/black leads: 3.28 ft (1 m) Green lead: 22.97 ft (7 m) Alligator clips: approx. 3.74 x 1.77 x 0.94 in (95 x 45 x 24 mm) Outlet adapters: 2.83 x 0.71 x 0.71 in (72 x 18 x 18 mm)
Weight	Approx. 0.78 lb (0.356 kg)
Certifications	 

AMPROBE®

AT-6010

Traceur de câble avancé

Manuel de l'utilisateur

Français

Garantie limitée et limitation de responsabilité

Votre produit Amprobe sera exempt de défauts de matériaux et de fabrication pendant un (1) an à compter de la date d'achat, sauf exigence contraire en vertu de la juridiction locale. Cette garantie ne s'applique pas aux fusibles, aux piles jetables ou endommagées par accident, à la négligence, à la mauvaise utilisation, à l'altération, à la contamination ou aux conditions anormales d'utilisation ou de manipulation. Les revendeurs ne sont pas autorisés à prolonger toute autre garantie au nom de Amprobe. Pour une réparation au cours de la période de garantie, retournez le produit avec la preuve d'achat à un centre de service autorisé par Amprobe ou à un revendeur ou un distributeur Amprobe. Voir la section Réparation pour plus de détails. CETTE GARANTIE EST VOTRE SEUL RECOURS. TOUTES LES AUTRES GARANTIES – QU'ELLES SOIENT EXPLICITES, IMPLICITES OU JURIDIQUES – Y COMPRIS LES GARANTIES IMPLICITES D'ADAPTATION À UN USAGE PARTICULIER OU MARCHAND, SONT EXCLUES. LE FABRICANT NE SERA PAS RESPONSABLE DES DOMMAGES SPECIAUX, INDIRECTS, ACCESSOIRES OU CONSECUTIFS PROVENANT DE TOUTE CAUSE OU THEORIE. Etant donné que certains pays ou états n'autorisent pas l'exclusion ou la limitation des garanties implicites ou des dommages directs ou indirects, cette limitation de responsabilité peut ne pas s'appliquer à vous.

Réparation

Tout produit Amprobe retourné pour réparation sous garantie ou hors garantie ou pour l'étalonnage doit être accompagné des documents suivants : votre nom, le nom de votre société, votre adresse, votre numéro de téléphone et la preuve d'achat. De plus, veuillez inclure une brève description du problème ou du service demandé et incluez les cordons de mesure avec le compteur. Les frais de réparation ou de remplacement non garantis doivent être réglés sous forme de chèque, mandat, carte de crédit avec date d'expiration ou bon de commande payable à Amprobe.

Réparations et remplacement couverts par la garantie – Tous les pays

Veuillez lire la déclaration de garantie et vérifier la pile avant de demander une réparation. Pendant la période de garantie, tout outil de vérification défectueux peut être retourné à votre distributeur Amprobe pour un échange de produit identique ou similaire. Veuillez consulter la section « Où acheter » sur le site amprobe.com pour obtenir une liste des distributeurs près de chez vous. En outre, aux États-Unis et au Canada, les réparations sous garantie et les unités de remplacement peuvent également être envoyées à un centre de service Amprobe (voir adresse ci-dessous).

Réparation et remplacement non couverts par la garantie – États-Unis et Canada

Pour les réparations non couvertes par la garantie aux États-Unis et au Canada, l'appareil doit être envoyé à un centre de service Amprobe. Appelez Amprobe ou renseignez-vous auprès de votre point de vente pour les tarifs de réparation et de remplacement actuels.

États-Unis :

Amprobe

Everett, WA 98203

Tél : 877-AMPROBE (267-7623)

Canada :

Amprobe

Mississauga, ON L4Z 1X9

Tél : 905-890-7600

Réparation et remplacement non couverts par la garantie – Europe

Les unités hors garantie européenne peuvent être remplacées par votre distributeur Amprobe pour une somme modique. Veuillez consulter la section « Où acheter » sur le site beha-amprobe.com pour obtenir une liste des distributeurs près de chez vous.

Beha-Amprobe*

In den Engematten 14

79286 Glottertal, Germany

Tél. : +49 (0) 7684 8009 - 0

beha-amprobe.com

*(Correspondance uniquement : aucune réparation ou remplacement à cette adresse. Clients européens, veuillez contacter votre distributeur.)

TABLE DES MATIÈRES

1. PRÉCAUTIONS ET MESURES DE SÉCURITÉ.....2

2. COMPOSANTS DU KIT.....5

 2.1 Récepteur AT-6010-R5

 2.2 Transmetteur AT-6010-T6

 2.3 Pince de signal CT-400 (accessoire en option pour l'AT-6010)9

3. PRINCIPALES APPLICATIONS10

 3.1 Traçage – Fils sous tension et hors tension11

 3.2 Identifier les disjoncteurs et les fusibles (Sous tension et hors tension)13

4. APPLICATIONS SPÉCIALES15

 4.1 Traçage de fils dans les circuits à protection DDFT.....15

 4.2 Trouver les sectionnements/ouvertures.....15

 4.3 Trouver des courts-circuits.....16

 4.4 Tracer des fils dans un conduit métallique16

 4.5 Tracer des tuyaux et des conduits non métalliques.....17

 4.6 Tracer des fils blindés17

 4.7 Tracer des fils souterrains.....18

 4.8 Tracer des fils à basse tension et des câbles de données18

 4.9 Trier des fils en faisceau19

 4.10 Situer un circuit à l'aide du raccordement de câbles d'essai19

 4.11 Tracer des disjoncteurs sur des systèmes avec des variateurs d'éclairage.....20

 4.12 Pince de signal (accessoire en option) - Circuits à boucle fermée20

 4.13 Pince de signal (accessoire en option) - Situer des circuits.....21

5. ENTRETIEN22

 5.1 Remplacement des piles.....22

 5.2 Remplacement du fusible24

6. SPÉCIFICATIONS.....25

1. PRÉCAUTIONS ET MESURES DE SÉCURITÉ

Généralités

Pour votre propre sécurité et pour éviter d'endommager l'instrument, il est conseillé de suivre les procédures indiquées ci-dessous :





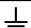
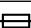






Remarque: Avant et pendant les mesures, efforcez-vous de suivre les instructions.

- Assurez-vous que l'instrument électrique fonctionne correctement avant de l'utiliser.
- Avant de raccorder les conducteurs, assurez-vous que la tension présente dans le conducteur est dans la plage de l'instrument.
- Conservez les instruments dans leur mallette de transport quand vous ne les utilisez pas.
- Si le transmetteur ou le récepteur ne vont pas être utilisés pendant une longue période, retirez les piles pour éviter toute fuite dans les instruments.
- Utilisez uniquement des câbles et des accessoires approuvés par Amprobe.

Précautions de sécurité

- Dans de nombreux cas, des niveaux dangereux de tension et/ou de courant peuvent être présents. Par conséquent, il est important d'éviter le contact direct avec des surfaces porteuses de courant non isolées. Des gants isolés et des vêtements de protection doivent être portés dans les zones présentant une tension dangereuse.
- Ne mesurez pas la tension ou le courant dans des endroits mouillés, humides ou poussiéreux.
- Ne mesurez pas la tension en présence de gaz, de matériaux explosifs ou de combustibles.
- Ne touchez pas le circuit en essai si aucune mesure n'est en cours.
- Ne touchez pas les éléments métalliques exposés, tels que les bornes et les circuits non utilisés.
- N'utilisez pas l'instrument s'il semble présenter un dysfonctionnement (à savoir si vous remarquez des déformations, des cassures, une fuite de substances, une absence de messages à l'écran, etc.).

SYMBOLES

	Attention! Reportez-vous aux explications de ce guide.
	AVERTISSEMENT TENSION DANGEREUSE. Risque de choc électrique.
	Consultez la documentation de l'utilisateur.
	Cet équipement est protégé par une isolation double ou renforcée.
	Prise de terre.
	Fusible.
	Pile.
	Certifié par le Groupe CSA selon les normes de sécurité d'Amérique du Nord.
	Conforme aux normes relatives aux CEM applicables en Corée du Sud. Compatibilité électromagnétique : Corée (KCC) : Équipement de classe A (Équipement de diffusion et de communication industriel) ^[1] ^[1] Ce produit respecte les exigences pour les équipements à ondes électromagnétiques industriels (Classe A) et le vendeur ou l'utilisateur doivent en tenir compte. Cet équipement est destiné à être utilisé dans des environnements professionnels et ne doit pas être utilisé à domicile.
	Conforme aux normes australiennes.
	Conforme aux directives européennes.
	Ce produit est conforme aux exigences de marquage de la directive DEEE. L'étiquette apposée indique que vous ne devez pas jeter ce produit électrique/électronique avec les déchets ménagers. Catégorie du produit : Concernant les types d'équipements de l'Annexe I de la Directive DEEE, ce produit est classifié en tant que produit de catégorie 9 « Instrumentation de surveillance et de contrôle ». Ne jetez pas ce produit avec les déchets municipaux non triés.

1. PRÉCAUTIONS ET MESURES DE SÉCURITÉ

Informations de sécurité

Ce produit est conforme à :

- UL/IEC/EN 61010-1, CAN/CSA C22.2 No. 61010-1, degré de pollution 2, mesure CAT III 600 V MAX
- IEC/EN 61010-2-033
- IEC/EN 61010-2-032
- IEC/EN 61010-031 (câbles d'essai)
- EMC IEC/EN 61326-1

La **catégorie de mesure III (CAT III)** est applicable pour tester et mesurer des circuits connectés à la partie distribution de l'installation SECTEUR basse tension du bâtiment. Cette partie de l'installation devrait avoir au minimum deux niveaux de dispositifs de protection contre les surintensités entre le transformateur et les points de raccordement possibles.

Directives CENELEC

L'instrument est conforme à la directive basse tension CENELEC 2014/35/UE et à la directive de compatibilité électromagnétique 2014/30/UE.

⚠️ Avertissements : Lire avant utilisation

Pour éviter la possibilité d'une électrocution ou d'une blessure :

- Utilisez le produit comme indiqué dans ce manuel, dans le cas contraire la protection fournie par l'instrument peut être compromise.
- Évitez de travailler seul pour pouvoir bénéficier d'une assistance.
- Faites un essai sur une source de signal connue dans la plage nominale de tension du produit avant et après utilisation pour vous assurer que le produit est en bon état de fonctionnement.
- N'utilisez pas le Produit près de vapeurs et de gaz explosifs ou dans des environnements humides.
- Inspectez le produit avant utilisation et ne l'utilisez pas s'il semble endommagé. Contrôlez la présence de fissures ou le plastique manquant. Faites particulièrement attention à l'isolation autour des connecteurs.
- Inspectez les câbles d'essai avant utilisation. Ne l'utilisez pas si l'isolation est endommagée ou si le métal est exposé.
- N'utilisez pas le produit s'il ne fonctionne pas correctement. La protection peut être altérée. En cas de doute, faites réparer le produit.
- Vérifiez la continuité des câbles d'essai. Remplacez les câbles d'essai endommagés avant d'utiliser le produit.
- Seul du personnel qualifié peut se charger de l'entretien du produit.
- Utilisez avec une grande prudence lorsque vous travaillez avec des conducteurs ou barres omnibus exposés. Le contact avec le conducteur pourrait causer une électrocution.
- Ne tenez pas le produit au-delà de la barrière tactile.
- N'appliquez pas une tension ou un courant plus élevé que la tension nominale et la classification CAT, indiquée sur le produit, entre les bornes ou entre une borne et la terre.
- Retirez les câbles d'essai du produit avant d'ouvrir le boîtier ou le couvercle des piles du produit.
- N'utilisez jamais le produit lorsque le couvercle des piles est retiré ou le boîtier est ouvert.
- Faites preuve de prudence en travaillant sur des tensions supérieures à 30 V CA RMS, 42 V CA crête ou 60 V CC. Ces tensions posent des risques d'électrocution.
- N'essayez pas d'effectuer un raccordement à un circuit conduisant une tension qui peut dépasser la plage maximale du produit.
- Utilisez les bornes, les fonctions et les plages appropriées pour vos mesures.
- Lors de l'utilisation de pinces crocodile, placez vos doigts derrière les protège-doigts.
- Utilisez uniquement le fusible de rechange exact et les pièces de rechange spécifiées.

1. PRÉCAUTIONS ET MESURES DE SÉCURITÉ

- Si vous effectuez des connexions électriques, raccordez le cordon commun avant de raccorder le câble de test sous tension. Lors de la déconnexion, débranchez le cordon de mesure sous tension avant de débrancher le cordon commun.
- Pour éviter les mauvaises lectures pouvant entraîner une électrocution et/ou une blessure corporelle, remplacez les piles dès que le voyant de piles faibles s'affiche. Vérifiez le fonctionnement du multimètre sur une source connue avant et après utilisation.
- Utilisez uniquement des piles AA, correctement installées dans le boîtier du compteur, pour alimenter le produit (voir Section 5.1 : Remplacement des piles).
- Lors des réparations, n'utilisez que les pièces de rechange préconisées réparables par les utilisateurs.
- Conformez-vous aux normes locales et nationales de sécurité. De l'équipement de protection individuelle doit être utilisé pour éviter les chocs et les blessures lorsque des conducteurs en fonctionnement sont exposés.
- Utilisez uniquement les câbles d'essai fournis avec le produit ou une sonde certifiée UL de classe CAT III 600 V ou de mesure plus élevée.
- N'utilisez pas la PERCHE ISOLANTE (TIC 410A) pour faire fonctionner le récepteur AT-6000-R à des tensions au-delà de 600 V.
- Retirez les piles si le compteur n'est pas utilisé pendant une durée prolongée ou s'il est stocké à une température supérieure à 122 °F (50 °C). Si les piles ne sont pas retirées, une fuite des piles peut endommager le compteur.
- Respectez toutes les consignes d'entretien et de chargement des piles émises par le fabricant des piles.
- N'utilisez pas le produit pour vérifier l'absence de tension. Veuillez utiliser un testeur de tension à la place.

Ce manuel contient des informations et des avertissements qui doivent être respectés pour l'utilisation et l'entretien en toute sécurité de l'instrument. Si le produit est utilisé d'une manière non spécifiée par le fabricant, la protection fournie par le produit peut être altérée. Ce produit est conforme aux indices de protection contre l'eau et la poussière IP52 (Récepteur) et IP40 (transmetteur et pince de signal) selon la norme IEC 60529. Ne l'utilisez PAS à l'extérieur par temps de pluie. Le produit est doté d'une protection par double isolation conformément à EN 61010-1 pour la CAT III 600 V.

ATTENTION : Ne connectez pas le transmetteur à une terre séparée dans les zones de patients sensibles à l'électricité d'un établissement de santé. Effectuez le raccordement à la terre avant de débrancher.

Votre emballage doit contenir :

	KIT AT-6010
RÉCEPTEUR AT-6010-R	1
Transmetteur AT-6010-T	1
KIT CÂBLE D'ESSAI ET ACCESSOIRES TL-6000-INTL*	1
MALLETTE DE TRANSPORT SOUPLE CC-6010	1
MANUEL DE L'UTILISATEUR	1
PILE 1,5 V AA (IEC LR6)	12

***Le kit câble d'essai et accessoires TL-6000-INTL comprend :**

- 2 x câbles d'essai 1 m (rouge, noir)
- 1 x câble d'essai 7 m (vert)
- 2 x pinces crocodile (rouge, noir)
- 2 x adaptateurs de lames pour prises (rouge, noir)
- 2 x adaptateurs ronds pour prises (rouge, noir)

Accessoires en option :

Adaptateur de prise ADPTR-SCT

Potence magnétique HS-1

Câble d'essai TL-7000-25M

Pince de signal CT-400

2. COMPOSANTS DU KIT

2.1 Récepteur AT-6010-R

Le récepteur AT-6010-R détecte le signal dans les fils et les câbles. Le signal est généré par le transmetteur AT-6010-T, qui est raccordé au fil.

L'avantage principal de cette méthode est la possibilité de tracer le cheminement du fil particulier avec le récepteur. Dans la mesure où le signal n'est pas présent dans les fils voisins, le récepteur ne détectera que le fil connecté au transmetteur.

Remarque: Le récepteur NE détecte PAS les signaux d'un fil à travers les conduits métalliques ou les câbles blindés. Consultez les Applications spéciales, dans la section 4.4 « Tracer des câbles dans des conduits métalliques » pour obtenir d'autres méthodes de traçage.

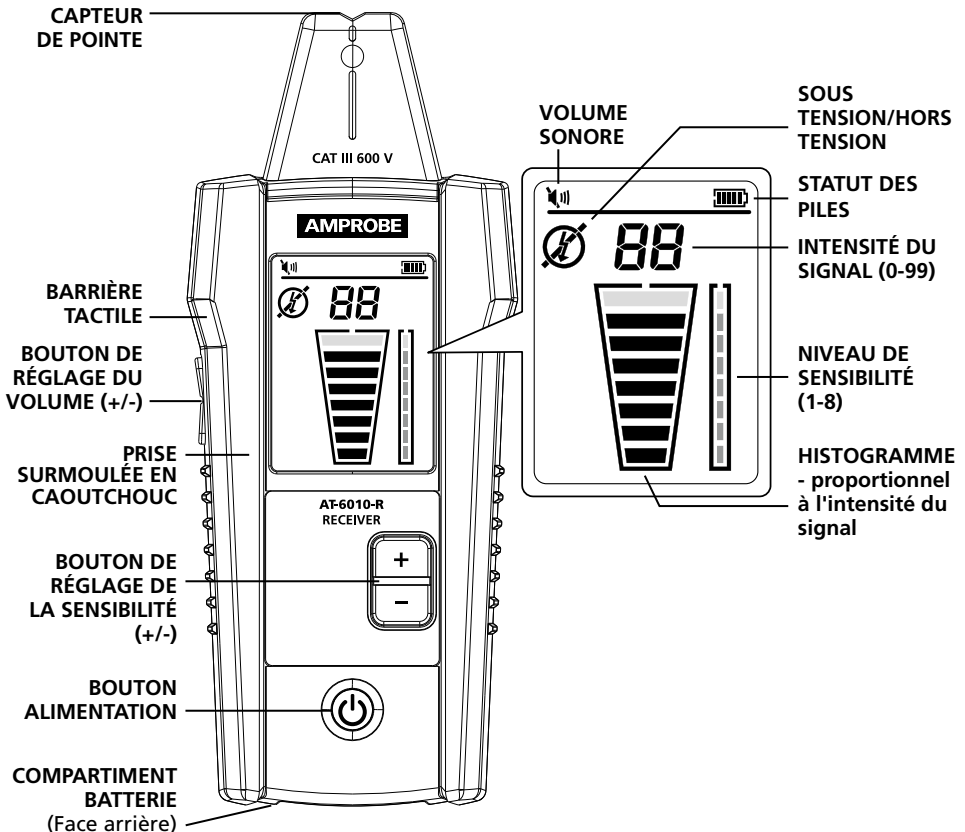


Figure 2.1 : Vue d'ensemble du récepteur AT-6010-R

BOUTON ALIMENTATION : Appuyez brièvement pour allumer le récepteur. Appuyez longuement > 2 s pour éteindre le récepteur.

RÉGLAGE DU VOLUME : Le volume peut être réglé en appuyant brièvement sur les boutons Volume +/-.

La fonction muet et quatre niveaux sonores sont disponibles. Le niveau de volume choisi sera affiché à l'écran.

CAPTEUR DE POINTE : La LED du capteur de pointe clignote lorsqu'un signal est détecté. Plus le signal est fort, plus le clignotement est rapide.

SENSIBILITÉ : Appuyez sur les boutons +/- pour régler la sensibilité du récepteur. Huit niveaux sont disponibles.

2. COMPOSANTS DU KIT

2.2 Transmetteur AT-6010-T

Le transmetteur AT-6010-T fonctionne sur les circuits sous tension et hors tension jusqu'à 600 V CA/CC dans les environnements électriques de catégorie I à catégorie III.

Modes de signal du transmetteur :

Signal élevé (Hi) – La fonction Mode ÉLEVÉ est recommandée pour la plupart des applications de traçage de fil sur des circuits sous tension et hors tension, y compris la localisation de disjoncteurs. Cette fonction sera utilisée la plupart du temps.

Mode Boucle – Ce mode est lancé en appuyant brièvement sur le bouton ON/OFF. La LED Boucle est allumée lorsque ce mode est activé. Il doit être utilisé lorsque vous travaillez avec des circuits hors tension à boucle fermée, tels que des fils court-circuités, des câbles blindés ou des fils hors tension mis à la terre à l'extrémité.

En quoi la fonction Boucle est-elle différente du paramètre Hi lors de l'utilisation de câbles d'essai ?

Le mode ÉLEVÉ (Hi) génère un signal dans toutes les branches ouvertes du circuit hors tension. Cela est utile lors du traçage de fils ouverts. Le mode Hi ne fonctionne PAS sur des fils mis à la terre à l'extrémité car le signal ne peut pas être généré.

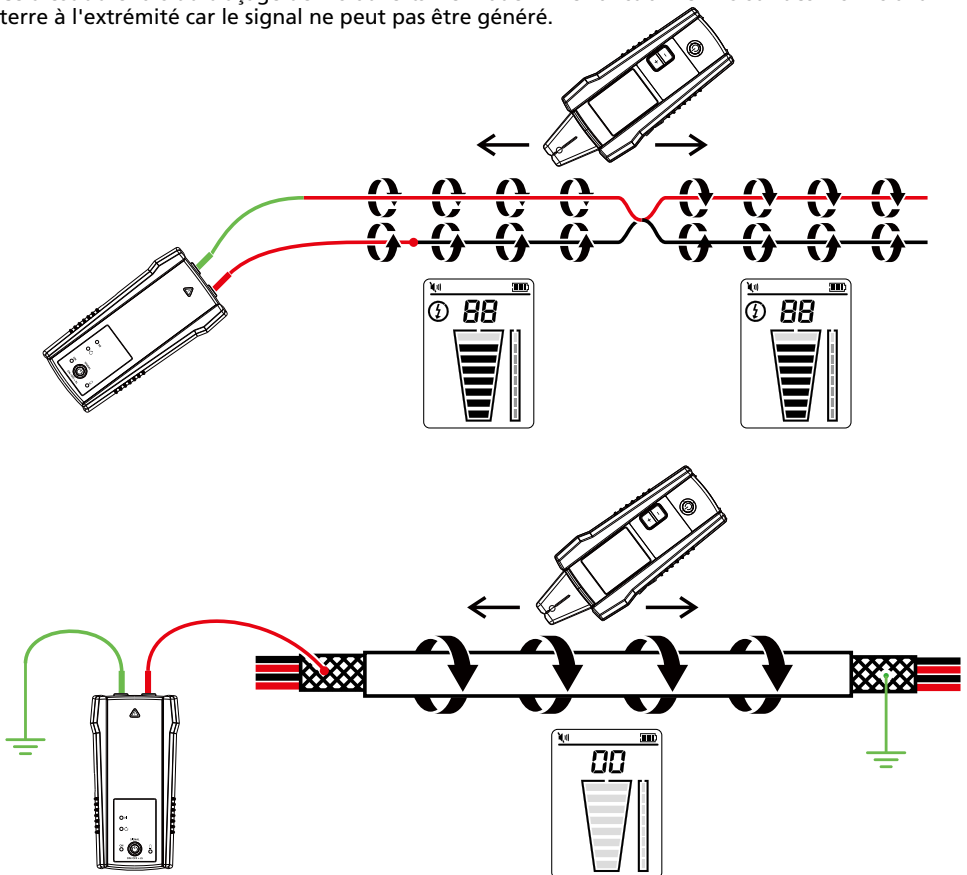


Figure 2.2a : Générer un signal avec le mode ÉLEVÉ

Le mode Boucle génère un signal (flux de courant) dans les circuits hors tension à boucle fermée uniquement. Le mode Boucle sert à localiser un court-circuit (car le courant ne pourra pas circuler dans les branches ouvertes) et à tracer les fils mis à la terre à l'extrémité (car la boucle est fermée via le raccordement à la terre).

2. COMPOSANTS DU KIT

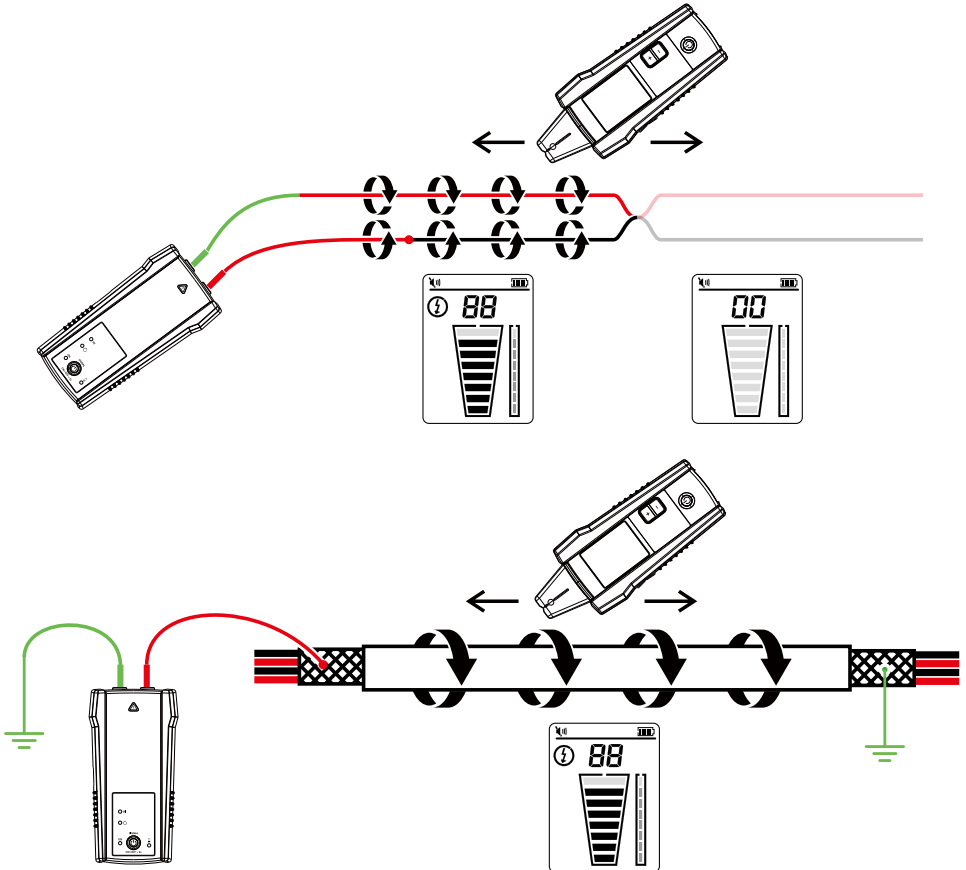


Figure 2.2b : Générer un signal en mode Boucle

Remarque: Le mode Boucle fonctionne uniquement sur des circuits hors tension. Il est automatiquement désactivé lorsque le transmetteur est raccordé à une ligne sous tension avec des câbles d'essai.

Travailler avec le transmetteur :

Lorsque le transmetteur est allumé et raccordé au circuit avec des câbles d'essai, il vérifie la tension.

Un indicateur d'avertissement de tension rouge s'allume si le transmetteur détecte des niveaux de tension dangereux au-delà de 30 V CA/CC.

IMPORTANT !

L'indicateur lumineux d'avertissement de tension clignote lorsqu'une surtension (> 650 V CA/CC) est détectée. En cas de surtension, déconnectez immédiatement le transmetteur du circuit. Cet indicateur d'avertissement de tension n'est pas conçu pour vérifier l'absence de tension. Veuillez utiliser un testeur de tension à la place.

Le transmetteur commence à générer un signal de traçage dès qu'il est allumé. En fonction de la tension détectée, le transmetteur passe automatiquement en :

- Mode sous tension (30 à 600 V CA/CC) générant une fréquence de 6 kHz
- Mode hors tension (0 à 30 V CA/CC) générant une fréquence de 33 kHz

Le mode sous tension utilise une fréquence de transmission plus basse (6 kHz) que le mode hors tension (33 kHz) pour réduire le couplage de signaux entre les fils. Le mode Hors tension nécessite une fréquence plus élevée afin de générer un signal fiable.

2. COMPOSANTS DU KIT

Mode sous tension : En mode sous tension, le transmetteur conduit un courant très faible provenant du circuit sous tension et génère un signal de 6 kHz. Il s'agit d'une fonctionnalité très importante du transmetteur, car conduire du courant n'injecte pas de signal pouvant endommager les équipements sensibles raccordés au circuit. Le signal est également généré dans un chemin direct entre le transmetteur et la source d'alimentation, donc NE PAS placer un signal sur des branches autorisant le traçage du câblage directement vers le panneau du disjoncteur. Veuillez noter qu'en raison de cette fonctionnalité, le transmetteur doit être raccordé au côté charge du circuit.

Mode hors tension : En mode hors tension, le transmetteur injecte un signal de 33 kHz dans le circuit. Dans ce mode, le signal passe dans toutes les branches du circuit car il est injecté. Le signal à haute fréquence/basse énergie n'endommagera pas les équipements sensibles.

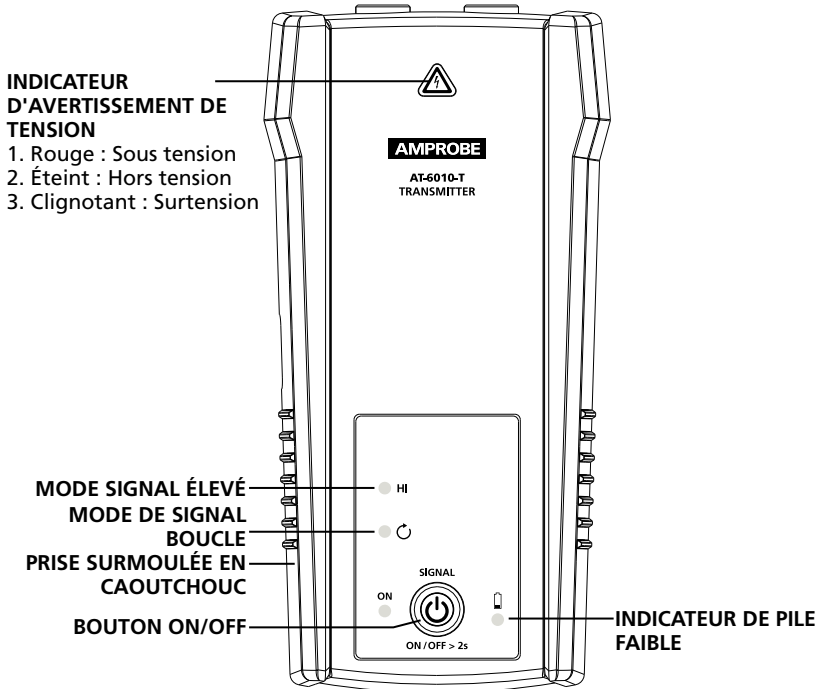


Figure 2.2c : Vue d'ensemble du transmetteur AT-6010-T

MARCHE/ARRÊT :

- Appuyez longuement > 2 s pour allumer le transmetteur (Le transmetteur est automatiquement en mode ÉLEVÉ).
- Appuyez brièvement sur le bouton ON/OFF pour basculer entre le mode ÉLEVÉ et le mode BOUCLE.
- Appuyez longuement > 2 s pour éteindre le transmetteur.

INDICATEUR D'AVERTISSEMENT DE TENSION : Le voyant d'avertissement est ALLUMÉ pour les circuits sous tension (30 à 600 V CA/CC), ÉTEINT pour les circuits hors tension (0 à 30 V CA/CC) et CLIGNOTANT si une surtension est détectée (> 650 V CA/CC).

Indicateur de pile faible :

LED ÉTEINTE	Piles OK	environ 10 V à 12 V
LED ALLUMÉE	Avertissement de piles faibles	environ 9,5 V à 10 V
LED clignotante	Remplacez la pile	environ 7,3 V à 9,5 V

L'appareil s'éteint si la tension est inférieure à 6,9 V

2. COMPOSANTS DU KIT

2.3 Pince de signal CT-400

(accessoire en option pour l'AT-6010)

L'accessoire pince de signal est utilisé dans les applications ne permettant pas d'accéder aux conducteurs nus. L'accessoire pince permet au transmetteur d'induire un signal à travers l'isolation dans l'un des fils. La pince fonctionne sur les circuits fermés à basse impédance.

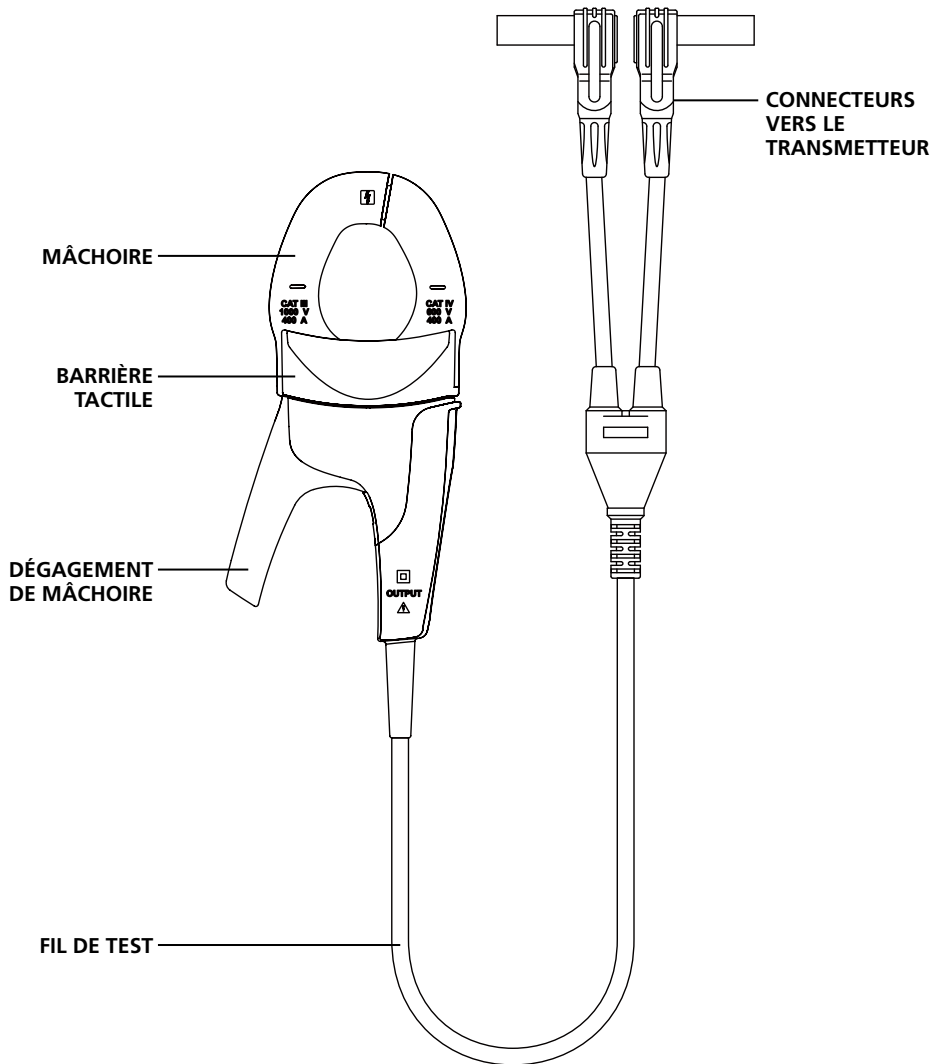


Figure 2.3 : Vue d'ensemble de la pince de signal CT-400

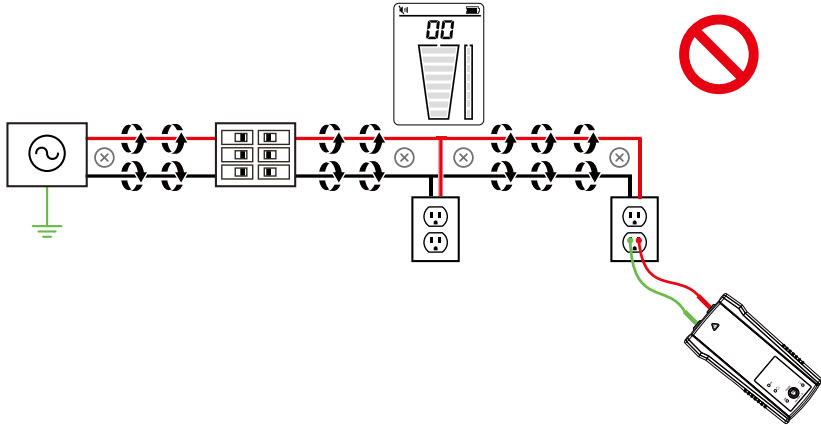
3. PRINCIPALES APPLICATIONS

⚠️ ⚠️ AVIS IMPORTANT, À LIRE AVANT DE COMMENCER LE TRAÇAGE

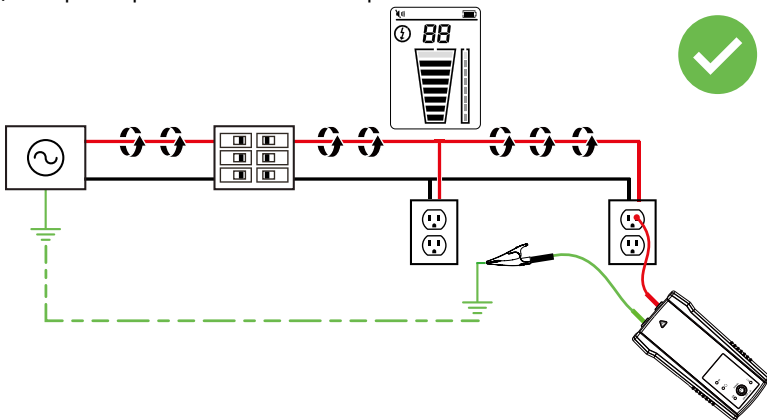
Éviter les problèmes d'annulation du signal avec un raccordement à la terre séparé

Le signal généré par le transmetteur crée un champ électromagnétique autour du fil. Ce champ est ce qui est détectable par le récepteur. Plus ce signal est clair, plus il est facile de tracer le fil.

Si le transmetteur est raccordé à deux fils adjacents sur le même circuit (par exemple, fils alimenté et neutre sur un câble Romax), le signal passe dans une direction dans le premier fil puis retourne (dans la direction opposée) dans le deuxième. Ceci entraîne la création de deux champs électromagnétiques autour de chaque fil dans des directions opposées. Ces champs en opposition s'annulent mutuellement partiellement ou complètement, rendant le traçage du fil difficile sinon impossible.



Pour éviter l'effet d'annulation, une méthode séparée de raccordement à la terre doit être utilisée. Le câble d'essai rouge du transmetteur doit être connecté au fil alimenté du circuit que vous souhaitez tracer, et le câble vert à une terre séparée, telle qu'une canalisation d'eau, un poteau relié à la terre, la structure métallique reliée à la terre du bâtiment ou le raccordement à la terre d'une prise sur un autre circuit. Il est important de comprendre qu'une terre séparée acceptable N'est PAS la borne de mise à la terre d'une prise électrique située sur le même circuit que le fil que vous souhaitez tracer. Si le fil alimenté est sous tension et si le transmetteur est correctement raccordé à une terre séparée, la LED rouge du transmetteur s'allume. Le raccordement séparé à la terre crée une intensité de signal maximale, car le champ électromagnétique créé autour du fil alimenté n'est pas annulé par un signal sur le chemin de retour transitant le long d'un fil adjacent (alimenté ou neutre) dans la direction opposée, mais plutôt par le circuit de terre séparé.



3. APPLICATIONS PRINCIPALES

- TRAÇAGE DES FILS SOUS TENSION ET HORS TENSION

3.1 Traçage – Fils sous tension et hors tension

Raccordement des câbles d'essai au transmetteur

1. Connectez les câbles d'essai vert et rouge au transmetteur (la polarité n'a pas d'importance).
2. Avec les câbles d'essai fournis en accessoires, raccordez le câble d'essai rouge au fil tracé, sous tension ou hors tension. Pour les prises électriques, assurez-vous de raccorder le câble d'essai au fil de ligne (alimenté). Sur les systèmes sous tension, le signal sera **UNIQUEMENT** transmis entre le côté charge auquel le transmetteur est raccordé et la source d'alimentation (voir Figure 3.1a).
3. Connectez le fil vert à une terre séparée (structure métallique de bâtiment, canalisation d'eau métallique ou câble de terre sur un circuit séparé).

***Remarque :** Veuillez noter que si elle est utilisée sur des circuits à protection DDFT, cette méthode déclenche la protection DDFT. Consultez les Applications spéciales, dans la section 4.1 « Traçage de câbles dans des circuits protégés par DDFT » pour obtenir d'autres méthodes de traçage.

ASTUCE : Le transmetteur, avec le câble d'essai rouge, peut être raccordé directement au fil sous tension de l'équipement électrique en fonctionnement sous charge (moteur, électronique, etc). Le traçage peut être effectué sans avoir besoin de éteindre l'équipement ou de couper l'alimentation.

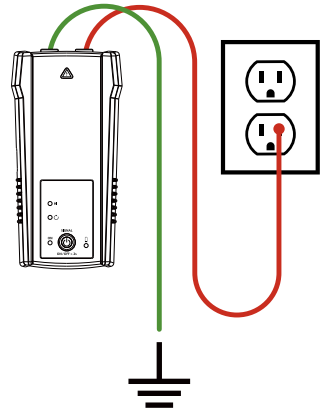


Figure 3.1a : Raccordement approprié avec mise à la terre séparée

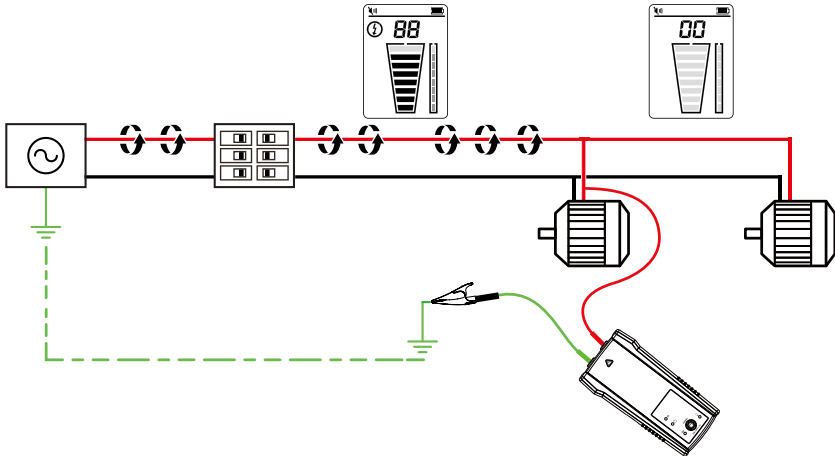


Figure 3.1b : Raccorder le transmetteur à un système en fonctionnement sous tension

Configurer le transmetteur AT-6010-T

1. Appuyez sur la touche ON/OFF pour allumer le transmetteur.
2. Vérifiez que les câbles d'essai sont correctement raccordés ; l'indicateur LED rouge de statut de la tension doit être allumé pour les circuits avec une tension supérieure à 30 V CA/CC et il doit être éteint pour les circuits hors tension sous 30 V CA/CC. **Remarque :** Assurez-vous d'utiliser le raccordement séparé à la terre comme décrit ci-dessus.
3. Le mode de signal ÉLEVÉ est automatiquement activé lorsque le transmetteur est allumé. La LED du transmetteur doit apparaître comme dans la figure 3.1c.

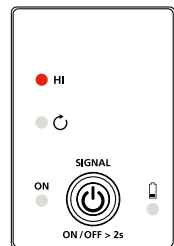


Figure 3.1c : Indicateur du transmetteur affichant le signal en mode ÉLEVÉ

3. APPLICATIONS PRINCIPALES

- TRAÇAGE DES FILS SOUS TENSION ET HORS TENSION

Utilisation du récepteur AT-6010-R en mode Traçage

Utilisez le récepteur pour localiser précisément l'emplacement du fil ou du défaut. Le récepteur indique l'intensité du signal détecté avec une mesure à deux chiffres, un histogramme et un son.

1. Allumez le récepteur. Le mode Traçage est automatiquement activé.
2. Balayez la zone cible avec le capteur de pointe pour trouver le niveau de signal le plus élevé. En traçant, réglez de temps à autre la sensibilité pour maintenir l'intensité du signal autour de 50. Augmentez ou diminuez la sensibilité en appuyant sur + ou - sur le clavier numérique.
3. Pour de meilleurs résultats lors du traçage de fils sous tension, alignez la rainure sur le capteur de pointe avec la direction du fil comme indiqué dans la Figure 3.1d. Le signal peut ne pas être détecté si elle n'est pas alignée correctement. Pour vérifier la direction du fil, tournez de temps en temps le récepteur de 90 degrés. L'intensité du signal sera la plus élevée si le fil est aligné avec la rainure du capteur de pointe.

En fonction du signal détecté, le récepteur bascule automatiquement en mode Sous tension ⚡ ou Hors tension ⚡ et affiche cette information sur l'écran LCD. Aucune configuration manuelle n'est nécessaire.

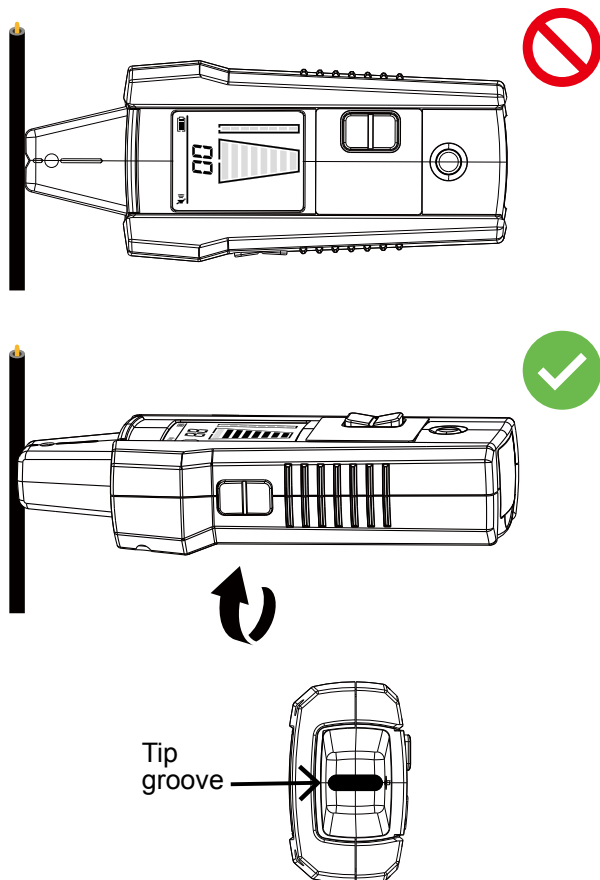


Figure 3.1d : Aligner la rainure du capteur de pointe

Remarque: Pour de meilleurs résultats, maintenez le récepteur à au moins 3 pieds (90 cm) du transmetteur et de ses câbles d'essai afin de réduire les interférences du signal.

3. APPLICATIONS PRINCIPALES - TRAÇAGE DES FILS SOUS TENSION ET HORS TENSION

3.2 Identifier les disjoncteurs et les fusibles (Sous tension et hors tension)

Remarque: Pour localiser un disjoncteur, un raccordement direct simplifié aux fils alimenté et neutre peut être utilisé car ces fils sont séparés au niveau du panneau du disjoncteur. Il n'y a aucun risque d'effet d'annulation du signal si les fils sont au moins à quelques centimètres l'un de l'autre. Cependant, le raccordement séparé à la terre (section 3.1) doit être utilisé pour de meilleurs résultats, en particulier si les fils doivent être tracés en plus de l'identification du disjoncteur.

Le raccordement direct simplifié au fil alimenté et neutre NE déclenche PAS le circuit GFCI.

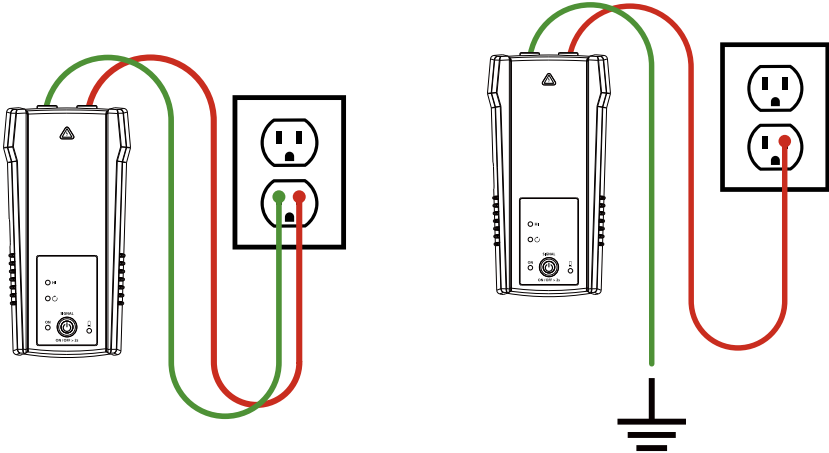


Figure 3.2a : Raccordement direct simplifié

Figure 3.2b : Raccordement avec mise à la terre séparée (Préférable)

Connexion des câbles d'essai

1. Raccordez le transmetteur à l'aide du raccordement direct simplifié ou du raccordement avec mise à la terre séparée.
2. Si la méthode de raccordement direct simplifié est utilisée, raccordez les câbles d'essai directement aux fils alimenté et neutre. Pendant la localisation d'un disjoncteur, les fils ne sont pas traçables car les signaux s'annulent mutuellement.
3. Pour un raccordement avec mise à la terre séparée, raccordez le câble rouge au fil de ligne (alimenté) sur le côté charge du système. Le fil peut être sous tension ou hors tension. Connectez le câble vert à une terre séparée, telle qu'une structure métallique de bâtiment, une canalisation d'eau métallique ou un câble de terre sur un circuit séparé.

ASTUCE : Le transmetteur, avec le câble d'essai rouge, peut être raccordé directement au fil sous tension de l'équipement électrique en fonctionnement sous charge (moteur, électronique, etc). Le traçage peut être effectué sans avoir besoin d'éteindre l'équipement ou de couper l'alimentation.

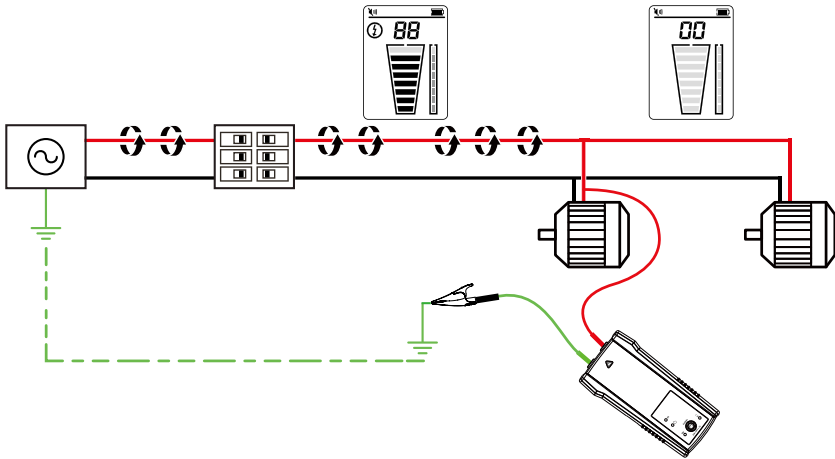


Figure 3.2c : Raccorder le transmetteur à un système en fonctionnement sous tension

Configurer le transmetteur AT-6010-T

1. Appuyez sur la touche ON/OFF pour allumer le transmetteur.
2. Vérifiez que les câbles d'essai sont correctement raccordés. Le voyant LED rouge de statut de la tension s'allume pour les circuits sous tension avec une tension supérieure à 30 V CA/CC. Si le circuit est hors tension, le voyant est éteint.
3. Le mode de signal ÉLEVÉ est automatiquement activé lorsque le transmetteur est allumé.

Utiliser le récepteur AT-6010-R

1. Allumez le récepteur. Le mode Traçage est automatiquement activé.
2. Alignez la rainure du capteur de pointe avec la longueur du disjoncteur (voir Figure 3.2d).
3. Balayez tous les disjoncteurs dans n'importe quel ordre pour trouver le disjoncteur avec le signal le plus élevé. Réglez la sensibilité en appuyant sur + ou - sur le clavier pour afficher l'intensité du signal autour de 50 pour le disjoncteur avec le signal le plus élevé. Après un réglage de sensibilité, balayez à nouveau tous les disjoncteurs pour trouver celui ayant le niveau de signal le plus élevé.

Remarque importante : La différence de conception, de hauteur et de structure de contact interne des disjoncteurs peut affecter la précision de l'identification du disjoncteur. Pour obtenir les résultats les plus fiables, retirez le couvercle du panneau des disjoncteurs et effectuez un balayage sur les fils au lieu des disjoncteurs.

En fonction du signal détecté, le récepteur bascule automatiquement en mode Sous tension ⚡ ou Hors tension ⚡ et affiche cette information sur l'écran LCD.

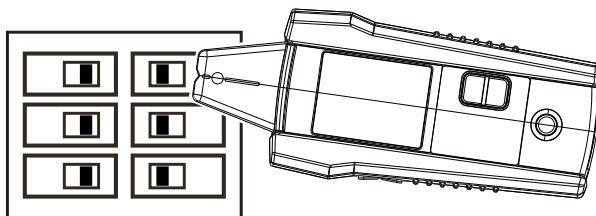


Figure 3.2d : Aligner la rainure du capteur de pointe avec le disjoncteur

4. APPLICATIONS SPÉCIALES

4.1 Traçage de fils dans les circuits à protection DDFT : Raccorder le transmetteur AT-6010-T à des circuits à protection DDFT.

Raccorder le transmetteur à un circuit à protection DDFT sous tension avec une méthode de mise à la terre séparée déclenche la protection DDFT. Utilisez les méthodes suivantes pour travailler avec des circuits à protection DDFT. Pour une prise à protection DDFT hors tension non déclenchée, vous pouvez brancher les câbles d'essai directement sur les contacts de la prise à l'aide du mode Capteur de pointe hors tension.

Méthode 1 – Court-circuitez le système de circuits GFCI pour éviter de déclencher le DDFT : (uniquement pour les prises à protection DDFT sous tension)

- Retirez la plaque murale de protection de la prise électrique.
- À l'aide de la pince crocodile, fixez le câble d'essai rouge à la vis pour raccorder le fil alimenté sous tension à la prise électrique
- Raccordez le câble d'essai vert à l'aide d'une méthode de mise à la terre séparée.
- Effectuez le traçage comme décrit dans les sections 3.1 ou 3.2.

Méthode 2 – N'utilisez PAS la mise à la terre séparée pour éviter de déclencher le DDFT : (pour les prises et les disjoncteurs à protection DDFT)

- Raccordez le transmetteur avec les câbles d'essai aux fils Neutre et Alimenté.
- Effectuez le traçage comme décrit dans les sections 3.1 ou 3.2.

Remarque: Ce type de raccordement entraîne le couplage du signal et réduit l'intensité du signal. Si le signal est trop faible ou non traçable, utilisez la Méthode 3.

Méthode 3 – Mettez le circuit hors tension : (pour les disjoncteurs à protection DDFT)

- Raccordez directement le transmetteur au fil comme décrit dans la section 3.1.
- Effectuez le traçage comme décrit dans les sections 3.1 ou 3.2.

4.2 Trouver les sectionnements/ouvertures

Il est possible de repérer la localisation exacte de l'endroit où un fil est sectionné, même si le fil se situe derrière des murs, des sols ou des plafonds.

1. Assurez-vous que le fil est hors tension.
2. Utilisez les étapes décrites dans la section 3.1 pour raccorder le transmetteur et effectuer le traçage.
3. Pour de meilleurs résultats, raccordez à la terre tous les fils hors tension qui passent en parallèle avec le câble d'essai noir.

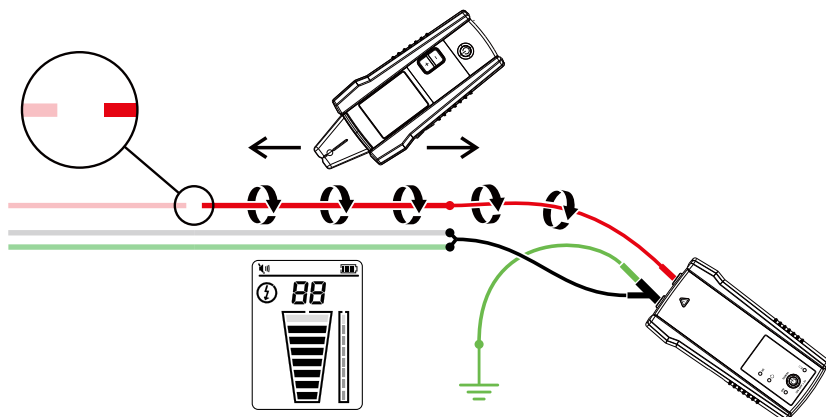


Figure 4.2 : Localisation d'un circuit interrompu ou ouvert

4. APPLICATIONS SPÉCIALES

Le signal de traçage généré par le transmetteur est conduit le long du fil tant qu'il existe une continuité dans le conducteur métallique. Pour trouver un défaut, tracez le fil jusqu'à ce que le signal s'arrête. Pour vérifier la localisation du défaut, déplacez le transmetteur à l'autre extrémité du fil et répétez le traçage depuis l'extrémité opposée. Si le signal s'arrête exactement au même endroit, le défaut a été localisé.

Remarque: Si la localisation du défaut est introuvable, le résultat peut être une rupture de résistance élevée (circuit partiellement ouvert). Un tel sectionnement empêche des courants plus élevés de transiter mais conduit le signal de traçage par le sectionnement. De tels défauts ne sont pas détectés jusqu'à ce que le fil soit complètement ouvert.

4.3 Trouver des courts-circuits

Les fils en court-circuit entraînent le déclenchement d'un disjoncteur. Pour corriger ce problème, débranchez les fils et assurez-vous que les extrémités des fils des deux côtés du câble sont isolées l'une de l'autre et des autres fils ou charges.

1. Raccordez le transmetteur avec les câbles d'essai au circuit comme indiqué dans la Figure 4.3.
2. Passez le transmetteur en mode Boucle en appuyant brièvement sur le bouton ON/OFF. Vérifiez que la LED Boucle est allumée.
3. Allumez le récepteur. Le mode Traçage est automatiquement activé.

Commencez le traçage du câble jusqu'à ce que le signal s'arrête. Pour vérifier la localisation du défaut, déplacez le transmetteur à l'autre extrémité du fil et répétez le traçage depuis l'extrémité opposée. Si le signal s'arrête exactement au même endroit, le défaut a été localisé.

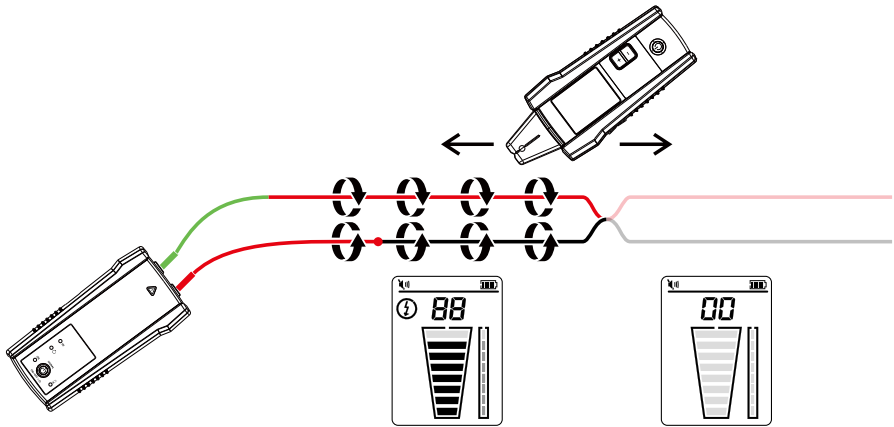


Figure 4.3 : Traçage d'un câble pour trouver des courts-circuits

Remarque: Cette méthode est affectée d'un effet d'annulation du signal. Prévoyez un signal relativement faible.

4.4 Tracer des fils dans un conduit métallique

Le récepteur ne peut pas capter le signal provenant d'un fil à travers un conduit métallique. Le conduit métallique masque complètement le signal de traçage.

Remarque: Le récepteur peut détecter des fils dans un conduit non métallique. Pour ces applications, suivez les directives générales de traçage.

Pour tracer des fils dans un conduit métallique :

1. Allumez le récepteur. Le mode Traçage est automatiquement activé.
2. Ouvrez les boîtiers de raccordement et utilisez le capteur de pointe du récepteur pour détecter quel fil du boîtier de raccordement transmet le signal.
3. Passez de boîtier de raccordement en boîtier de raccordement pour suivre le cheminement du fil.

Remarque: Appliquer un signal directement au conduit envoie le signal dans toutes les branches du conduit, rendant impossible le traçage du cheminement d'un conduit particulier.

4. APPLICATIONS SPÉCIALES

4.5 Tracer des tuyaux et des conduits non métalliques

Le transmetteur peut tracer indirectement des conduits et des tuyaux en plastique à l'aide des étapes suivantes :

1. Insérez le ruban de tirage ou le fil à l'intérieur du conduit.
2. Raccordez le transmetteur avec le câble d'essai rouge au ruban de tirage et le fil de terre vert à une terre séparée (voir la section 3.1 pour de plus amples instructions de configuration).
3. Allumez le récepteur et tracez le conduit. Le mode Traçage est automatiquement activé.
4. Le récepteur capte le signal conduit par le ruban de tirage ou le fil à travers le conduit.

4.6 Tracer des fils blindés

Les fils blindés empêchent le récepteur de détecter un signal de traçage en suivant les instructions d'utilisation standard. Pour tracer efficacement un fil blindé, suivez ces procédures.

Si le fil blindé est mis à la terre à l'extrémité :

1. Passez le transmetteur en mode Boucle en appuyant brièvement sur le bouton ON/OFF. Vérifiez que la LED Boucle est allumée.
2. Débranchez la mise à la terre près de l'extrémité du fil blindé et raccordez le blindage à l'une des bornes du transmetteur (la polarité n'a pas d'importance) avec un câble d'essai.
3. Raccordez la deuxième sortie du transmetteur à une mise à la terre séparée.
4. Allumez le récepteur et tracez le blindage. Le mode Traçage est automatiquement activé.

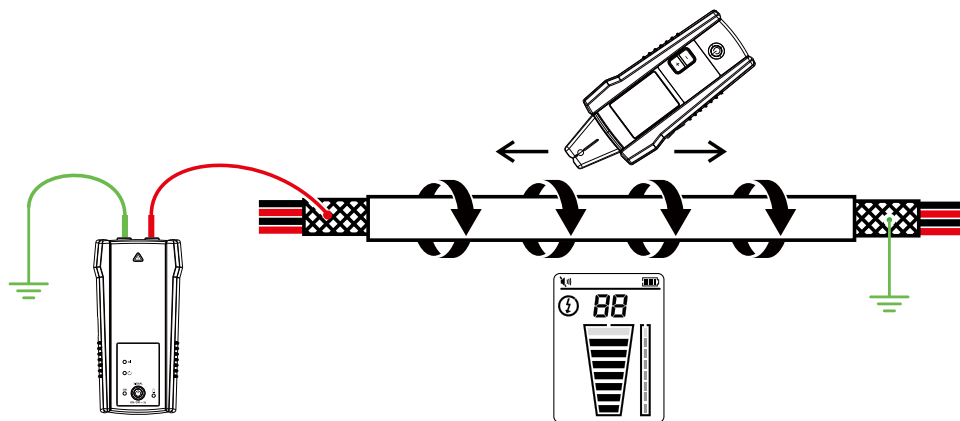


Figure 4.6a : Tracer un fil blindé mis à la terre à l'extrémité

Si le fil blindé est débranché de la terre à l'extrémité :

1. Raccordez directement le transmetteur au fil comme décrit dans la section 3.1.
2. Débranchez la mise à la terre près de l'extrémité du fil blindé et raccordez le blindage à l'une des bornes du transmetteur (la polarité n'a pas d'importance) avec un câble d'essai.
3. Raccordez la deuxième sortie du transmetteur à une mise à la terre séparée.
4. Allumez le récepteur et tracez le blindage. Le mode Traçage est automatiquement activé.

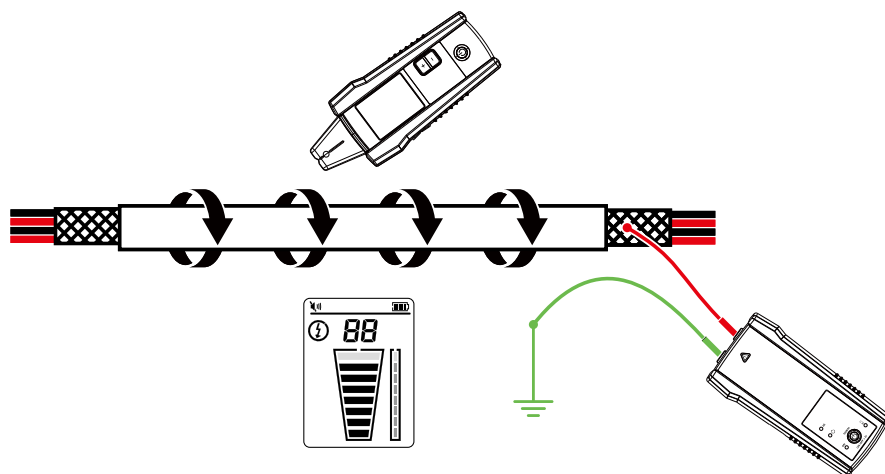


Figure 4.6b : Tracer un fil blindé déconnecté de la terre à l'extrémité

4.7 Tracer des fils souterrains

L'AT-6010 peut tracer des fils sous tension et hors tension souterrains de la même manière qu'il peut localiser des fils derrière les murs ou sous les sols. Suivez les instructions générales de traçage de fils dans la section 3.

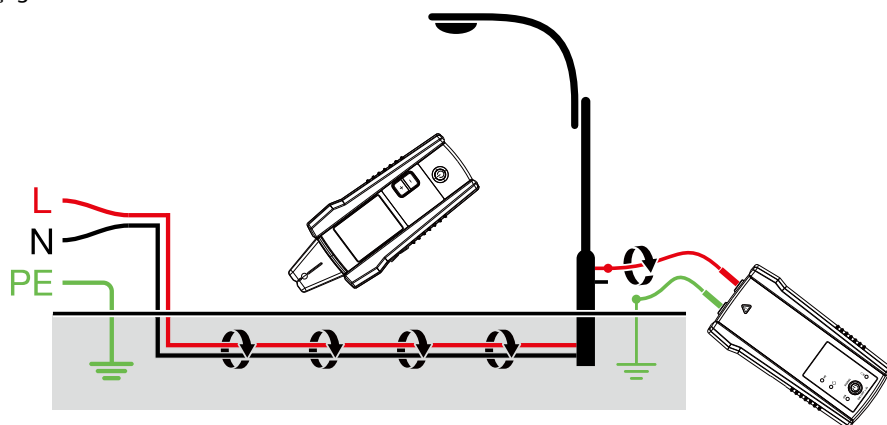


Figure 4.7 : Tracer des fils souterrains

4.8 Tracer des fils à basse tension et des câbles de données

L'AT-6010 peut tracer des câbles de données, audio et de thermostats (pour tracer des câbles de données blindés, consultez la section 4.6).

Tracer les câbles de données, audio et de thermostats

1. Raccordez le transmetteur à l'aide de la méthode de mise à la terre séparée décrite dans la section 3.1.
2. Allumez le récepteur et tracez le fil. Le mode Traçage est automatiquement activé.

4. APPLICATIONS SPÉCIALES

4.9 Trier des fils en faisceau

Identifier un fil spécifique dans un faisceau

1. Raccordez le transmetteur comme décrit dans la section 3.1. En cas de connexion à un fil sous tension, assurez-vous que le transmetteur est raccordé sur le côté charge.
2. Allumez le récepteur. Le mode Traçage est automatiquement activé.
3. Un par un, tirez chaque fil pour l'éloigner des autres et touchez-le avec le capteur de pointe. Le signal le plus fort indique le bon fil dans le faisceau.
4. Réglez la sensibilité du récepteur si nécessaire avec les boutons +/-.

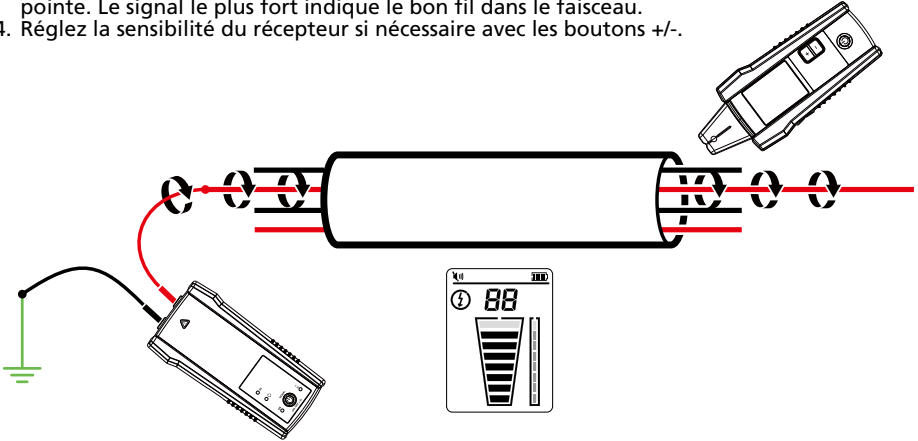


Figure 4.9 : Identifier un fil spécifique dans un faisceau

4.10 Situer un circuit à l'aide du raccordement de câbles d'essai

Situer un circuit ne peut être effectué que sur un circuit hors tension en utilisant le raccordement des câbles d'essai.

1. Passez le disjoncteur en position ARRÊT.
2. Configurez le transmetteur et le récepteur comme décrit dans la section 3.1.
3. Balayez les plaques avant des prises et des fils raccordant les charges au capteur de pointe du récepteur.
4. Tous les fils, prises et charges présentant un signal élevé indiqué par le récepteur sont raccordés au disjoncteur.

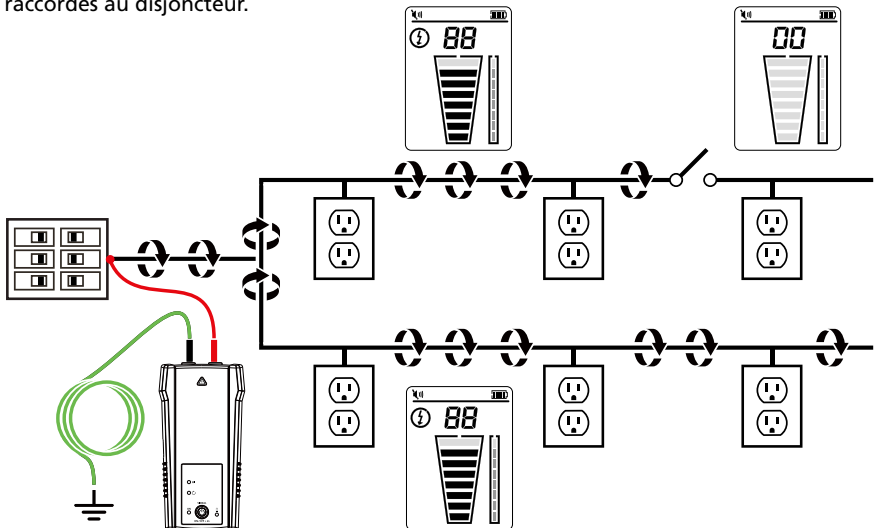


Figure 4.10 : Situer un circuit à l'aide du raccordement de câbles d'essai

4. APPLICATIONS SPÉCIALES

4.11 Tracer des disjoncteurs sur des systèmes avec des variateurs d'éclairage

Les variateurs d'éclairage peuvent produire une quantité significative de « bruit » électrique, composé de signaux multifréquences. Dans certaines situations rares, le récepteur peut interpréter à tort ce bruit, souvent appelé signal « fantôme », comme un signal généré par le transmetteur. Par conséquent, le récepteur peut fournir des mesures erronées.

Lors de la localisation de disjoncteurs ou de fusibles sur des systèmes avec des variateurs d'éclairage, le variateur doit être désactivé (l'interrupteur d'éclairage est éteint). Cela empêche le récepteur d'indiquer un disjoncteur/fusible erroné.

4.12 Pince de signal (accessoire en option) - Circuits à boucle fermée

Circuits à boucle fermée, hors tension et à basse impédance

L'accessoire pince est utilisé pour les applications où aucun accès à un conducteur dénudé n'existe pour raccorder les câbles d'essai. Quand la pince est raccordée au transmetteur, elle permet au transmetteur d'induire un signal au fil sous tension ou hors tension à travers l'isolation. Les applications courantes de la pince de signal comprennent le traçage de conduits ou de blindages mis à la terre aux deux extrémités. Pour les câbles de signal et les fils ou les charges hors tension, mettez temporairement le circuit à la terre aux deux extrémités pour effectuer le traçage.

Raccordement de la pince de signal

1. Raccordez les câbles d'essai du CT-400 aux bornes du transmetteur (la polarité n'est pas importante).
2. Fixez la pince de signal CT-400 autour du conducteur. Pour augmenter l'intensité du signal, enroulez quelques tours du fil conducteur autour de la pince si possible.

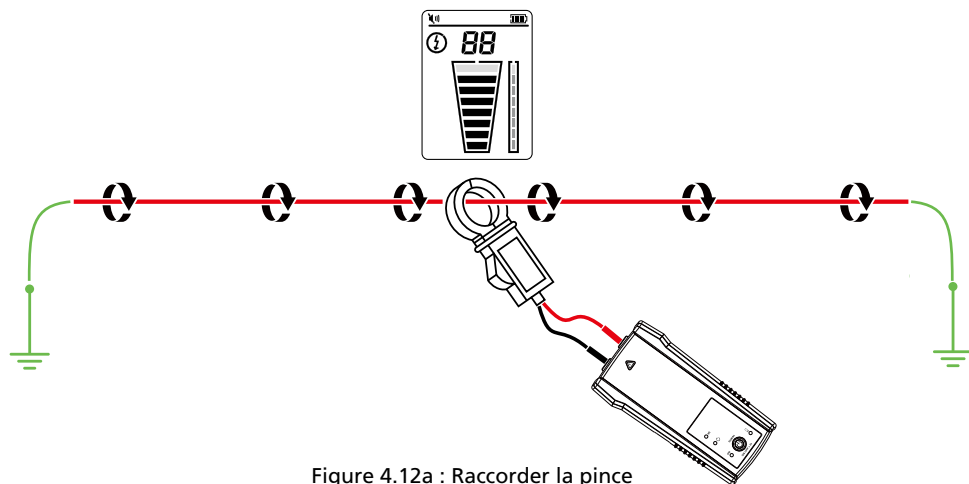


Figure 4.12a : Raccorder la pince

Configurer le transmetteur AT-6010-T

1. Appuyez sur la touche ON/OFF pour allumer le transmetteur. L'indicateur LED rouge de statut de tension doit être ÉTEINT quand la pince est raccordée et en travaillant avec des systèmes sous tension ou hors tension.
2. Appuyez brièvement sur le bouton ON/OFF pour sélectionner le mode Boucle sur le transmetteur (La LED rouge BOUCLE est ALLUMÉE). Le mode pince génère un signal amplifié de 6 kHz afin de procurer des résultats de traçage supérieurs. La LED du transmetteur doit apparaître comme dans la figure 4.12b.

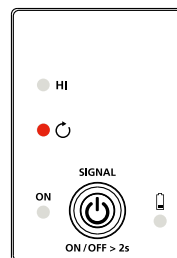


Figure 4.12b : Indicateur du transmetteur affichant le signal en mode Boucle

4. APPLICATIONS SPÉCIALES

Utiliser le récepteur AT-6010-R

1. Allumez le récepteur. Le mode Traçage est automatiquement activé.
2. Tenez le récepteur avec le capteur de pointe orienté vers la zone cible.
3. Balayez la zone cible avec le capteur de pointe pour trouver le niveau de signal le plus élevé. En traçant, réglez de temps à autre la sensibilité pour maintenir l'intensité du signal autour de 50. Augmentez ou diminuez la sensibilité en appuyant sur +/- sur le clavier.
4. Positionnement du récepteur : Pour de meilleurs résultats lors du traçage de fils sous tension, alignez la rainure sur le capteur de pointe avec la direction du fil comme indiqué. Le signal peut être perdu si elle n'est pas alignée correctement.
5. Pour vérifier la direction du fil, tournez de temps en temps le récepteur de 90 degrés. L'intensité du signal sera la plus élevée si le fil est aligné avec la rainure du capteur de pointe.

4.13 Pince de signal (accessoire en option) - Situer des circuits

L'accessoire pince peut être utilisé pour situer des charges sur les disjoncteurs spécifiques dans des circuits sous tension et hors tension. Il n'y a pas besoin de couper l'alimentation électrique.

1. Raccordez les câbles d'essai du CT-400 aux bornes du transmetteur (la polarité n'est pas importante) et sélectionnez le mode ÉLEVÉ.
2. Fixez le CT-400 autour du fil alimenté (ligne) sur le panneau du disjoncteur.
3. Réglez la sensibilité du récepteur sur le niveau maximum en appuyant sur le bouton +.

Balayez les plaques avant des prises et des fils en les touchant avec le capteur de pointe du récepteur. Tous les fils, prises et charges que le récepteur indique en mesurant un signal sont raccordés au disjoncteur.

Remarque: Prévoyez un signal relativement faible. Pour de meilleures performances, installez des piles neuves dans le transmetteur. Utilisez la méthode « Situer un circuit avec raccordement des câbles d'essai » si un signal beaucoup plus fort est requis.

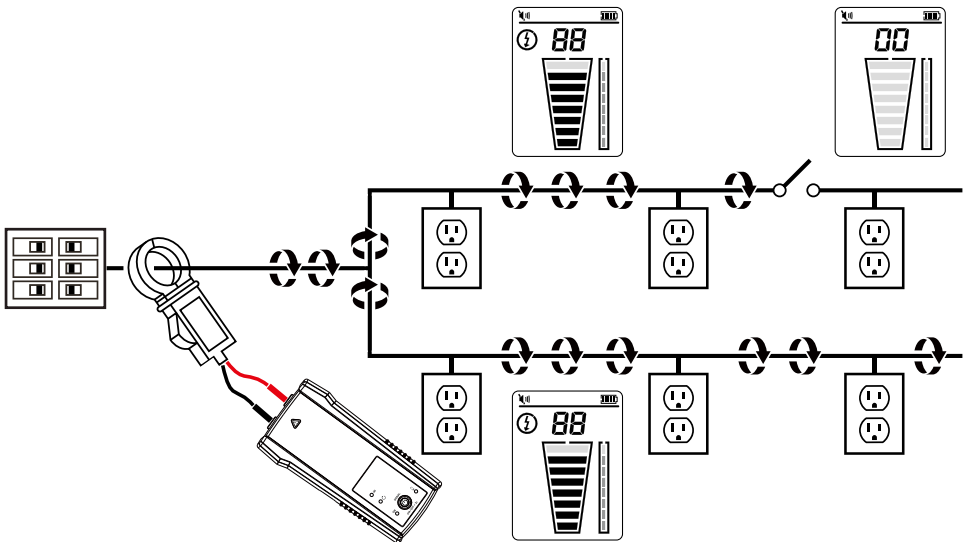


Figure 4.13 : Utilisation de la pince de signal pour situer des charges sur des disjoncteurs spécifiques

5. MAINTENANCE

5.1 Remplacement des piles

Changer les piles du transmetteur

Le compartiment des piles à l'arrière du transmetteur est conçu pour faciliter le changement de piles par l'utilisateur. Une vis est ajoutée pour retenir la pile en cas de chute de l'appareil.

Huit (8) piles alcalines AA doivent être utilisées.

Remarque: Les piles ne sont pas préinstallées dans le transmetteur.

1. Assurez-vous que le transmetteur est éteint et déconnecté du circuit.
2. Utilisez un tournevis cruciforme pour dévisser les vis du compartiment des piles.
3. Retirez le couvercle des piles.
4. Installez les piles.
5. Remettez le couvercle des piles et fixez-le avec les vis.

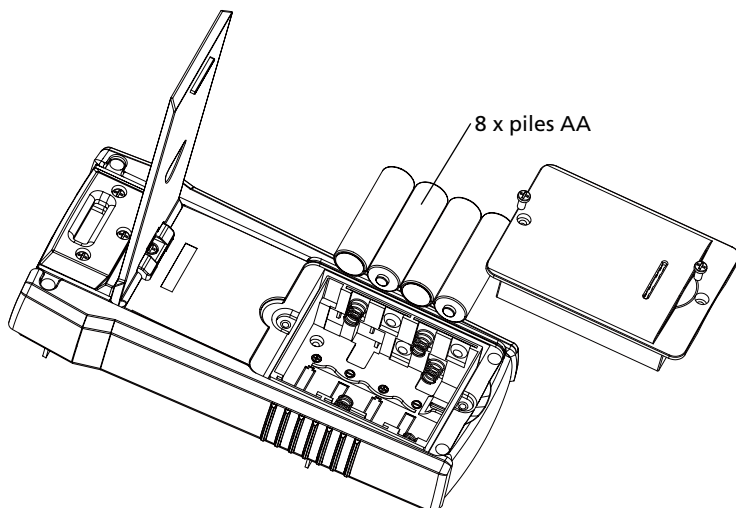


Figure 5.1a : Changer les piles du transmetteur

5. MAINTENANCE

Changer les piles du récepteur

Le compartiment des piles à l'arrière du récepteur est conçu pour faciliter le changement de piles par l'utilisateur. Utilisez quatre (4) piles alcalines AA 1,5 V.

Remarque: Les piles ne sont pas préinstallées dans le récepteur.

1. Assurez-vous que le récepteur est éteint.
2. Utilisez un tournevis pour dévisser la vis imperdable.
3. Retirez le couvercle des piles.
4. Installez les piles.
5. Remettez le couvercle des piles et fixez-le avec la vis fournie.

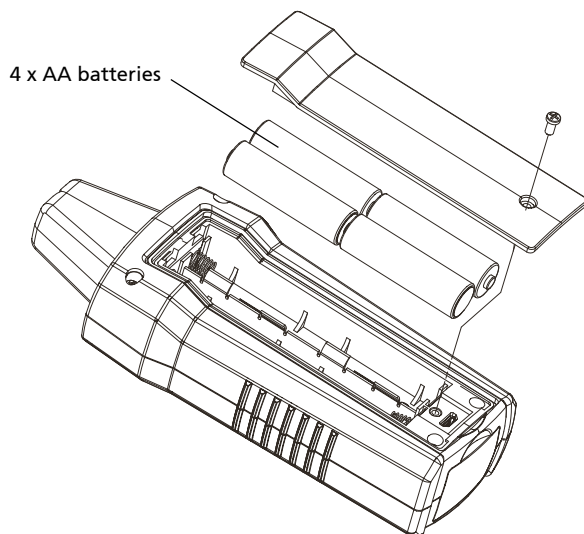


Figure 5.1b : Changer les piles du récepteur

5.2 Remplacement du fusible

Remplacement du fusible du transmetteur :

⚠ ⚠ Avertissement : Pour éviter les chocs, les blessures ou les dommages au transmetteur, débranchez les câbles d'essai avant d'ouvrir le boîtier.

1. Débranchez tous les câbles d'essai du transmetteur.
2. Assurez-vous que le transmetteur est éteint.
3. Utilisez un tournevis cruciforme pour dévisser les vis du support basculant.
4. Enlevez la trappe du compartiment des piles et retirez toutes les piles.
5. Utilisez un tournevis cruciforme pour dévisser les vis de fixation.
6. Retirez le couvercle arrière en le tirant vers le haut.
7. Retirez le fusible du porte-fusible.
8. Insérez le nouveau fusible (1,6 A, 700 V MAX, RAPIDE Ø 6X32 mm) dans le porte-fusible.
9. Insérez le couvercle arrière, attachez-le bien avec les vis de fixation puis serrez avec un tournevis cruciforme.

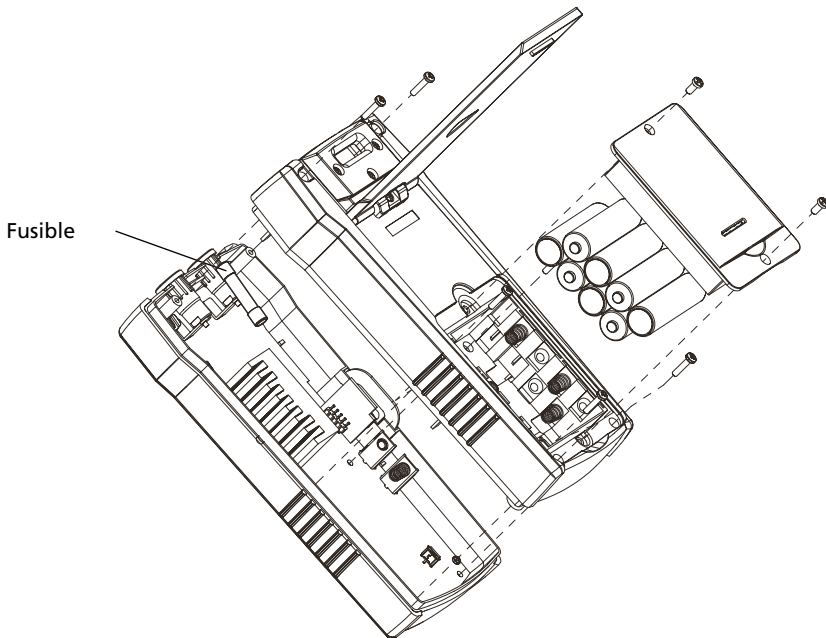












Figure 5.2 : Remplacement du fusible du transmetteur

6. SPÉCIFICATIONS

Caractéristiques	AT-6010-R	AT-6010-T	CT-400
Catégorie de mesure	CAT III 600 V	CAT III 600 V	CAT IV 600 V, CAT III 1000 V
Tension de fonctionnement	0 à 600 V CA/CC	0 à 600 V CA/CC	0 à 1000 V CA
Fréquence de fonctionnement	Sous tension : 6,25 kHz Hors tension : 32,768 kHz	Sous tension : 6,25 kHz Hors tension : 32,768 kHz	Traçage de fil : 32,768 kHz Mesure du courant CA : 45 Hz à 400 Hz
Détection des tensions dangereuses	S/O	> 30 V CA/CC	S/O
Indications de signal	Affichage d'un histogramme numérique et émission d'un bip sonore	LED	S/O
Temps de réponse	Capteur de pointe (Sous tension / Hors tension) : 500 ms Contrôle de la tension de la pile : 5 s	Contrôle de la tension de ligne : 1 s Contrôle de la tension de la pile : 5 s	Instantané
Sortie de courant du signal (type)	S/O	Circuit sous tension : Mode FORT : 60 mA RMS Circuit hors tension : Mode FORT : 130 mA RMS Mode Boucle : 160 mA RMS	1 mA/A pour la mesure de courant CA avec un multimètre
Tension du signal en sortie (nominal)	S/O	Circuit hors tension : FORT : 33 V RMS, 140 V p-p Avec CT-400 : Modèle Boucle : 31 V RMS, 120 V p-p	Circuit hors tension : 2,4 V RMS, 24 V p-p
Plage de détection (en plein air)	Capteur de pointe (Sous tension) : Distance max par air : jusqu'à 20 pi (6,1 m) Repérage : environ 1,97 po (5 cm) Capteur de pointe (Hors tension) : Distance max par air : jusqu'à 14,7 pi (4,5 m) Repérage : environ 1,97 po (5 cm)	S/O	S/O



6. SPÉCIFICATIONS

Caractéristiques générales

Caractéristiques	AT-6010-R	AT-6010-T	CT-400
Taille de l'écran	LCD 2,5 po (6,35 cm)	LED	S/O
Dimensions de l'écran (l x H)	1,45 x 1,93 po (36,72 x 48,96 mm)	S/O	S/O
Type d'écran	Afficheur LCD à segments	LED	S/O
Couleur d'affichage	Noir et blanc	LED du mode de fonctionnement : rouges LED de statut des piles : rouge	S/O
Durée de démarrage	< 3 s	< 2 s	S/O
Rétroéclairage	Oui	S/O	S/O
Température de fonctionnement	-4 °F à 122 °F (-20 °C à 50 °C)	-4 °F à 122 °F (-20 °C à 50 °C)	32 °F à 122 °F (0 °C à 50 °C)
Humidité en fonctionnement	45 % : -4 °F à < 50 °F (-20 °C à < 10 °C) 95 % : 50 °F à < 86 °F (10 °C à < 30 °C) 75 % : 86 °F à < 104 °F (30 °C à < 40 °C) 45 % : 104 °F à 122 °F (40 °C à 50 °C)	45 % : -4 °F à < 50 °F (-20 °C à < 10 °C) 95 % : 50 °F à < 86 °F (10 °C à < 30 °C) 75 % : 86 °F à < 104 °F (30 °C à < 40 °C) 45 % : 104 °F à 122 °F (40 °C à 50 °C)	95 % : 50 °F à < 86 °F (10 °C à < 30 °C) 75 % : 86 °F à < 104 °F (30 °C à < 40 °C) 45 % : 104 °F à < 122 °F (40 °C à < 50 °C)
Température et humidité de stockage	-4 °F à 158 °F (-20 °C à 70 °C), < 95 % HR	-4 °F à 158 °F (-20 °C à 70 °C), < 95 % HR	-4 °F à 60,00 °F (-20 °C à 60 °C), < 95 % HR
Altitude de fonctionnement	0 à 6561 pieds (2000 m)	0 à 6561 pieds (2000 m)	0 à 6561 pieds (2000 m)
Protection contre les tensions transitoires	S/O	6,00 kV (surtension 1,2/50 µS)	S/O
Degré de pollution	2	2	2
Classification IP	IP 52	IP 40	IP 40
Test de chute	3,28 pi (1 m)	3,28 pi (1 m)	3,28 pi (1 m)
Alimentation	4 x AA (alcalines)	8 x AA (alcalines)	S/O
Consommation électrique (normale)	70 mA	Mode Hi : 70 mA Mode Boucle avec pince : 90 mA Consommation sans transmission de signal : 10 mA	S/O
Durée de vie des piles (normale)	Environ 25 h	Mode Hi : environ 25 h Mode Boucle : environ 18 h	S/O
Indicateur de piles faibles	Oui	Oui	S/O
Fusible	S/O	1,6 A, 700 V, à action rapide, Ø 6 x 32 mm	S/O
la taille maximale de conducteur	S/O	S/O	1,26 po (32 mm)
Dimensions (L x l x H)	Environ 7,2 x 2,95 x 1,69 po (183 x 75 x 43 mm)	Environ 7,2 x 3,66 x 1,97 po (183 x 93 x 50 mm)	Environ 5,9 x 2,75 x 1,18 po (150 x 70 x 30 mm)
Poids (piles installées)	Environ 0,27 kg (0,27 kg)	Environ 0,57 kg (0,57 kg)	Environ 0,25 lb (0,114 kg)
Certifications	   	   	 

6. SPÉCIFICATIONS

Spécifications des accessoires

Caractéristiques	TL-6000-INTL
Catégorie de mesure	CAT III (câbles d'essai) CAT IV (pinces crocodile) CAT II (sortie des adaptateurs)
Tension et courant de fonctionnement	1000 V, 16 A max. (fils rouge/vert) 600 V, 16 A max. (fil noir) 600 V, 10 A max. (pinces crocodile) 300 V, 10 A max. (sortie des adaptateurs)
Température de fonctionnement	32 °F à 122 °F (0 °C à 50 °C)
Humidité en fonctionnement	95%: 50 °F à < 86 °F (10 °C à < 30 °C) 75%: 86 °F à < 104 °F (30 °C à < 40 °C) 45%: 104 °F à < 122 °F (40 °C à < 50 °C)
Température et humidité de stockage	-4 °F à 140 °F (-20 °C à 60 °C), < 95 % HR
Altitude de fonctionnement	0 à 6561 pieds (2000 m)
Degré de pollution	2
Classification IP	IP 20
Test de chute	3,28 pi (1 m)
Dimensions	Fils rouge/noir : 3,28 pi (1 m) Fil vert : 22,97 pi (7 m) Pinces crocodile : environ 3,74 x 1,77 x 0,94 po (95 x 45 x 24 mm) Sortie des adaptateurs: 2,83 x 0,71 x 0,71 po (72 x 18 x 18 mm)
Poids	Environ 0,78 lb (0,356 kg)
Certifications	 

AMPROBE®

AT-6010

Rastreador de cable avanzado

Manual de usuario

Español

Garantía limitada y limitación de responsabilidad

Su producto Amprobe no presentará defectos materiales ni de mano de obra durante un año a partir de la fecha de compra, a menos que las leyes locales se pronuncien en otro sentido. Esta garantía no cubre fusibles, pilas desechables o daños provocados por accidentes, negligencia, mal uso, alteración, contaminación o condiciones anómalas de funcionamiento o manipulación. Los revendedores no tienen autorización para ampliar ninguna otra garantía en nombre de Amprobe. Para obtener servicio durante el periodo de garantía, devuelva el producto con una prueba de compra a un Centro de servicio técnico autorizado de Amprobe o a un proveedor o distribuidor de Amprobe. Consulte la sección Reparaciones para obtener más detalles. **ESTA GARANTÍA SERÁ SU ÚNICO MEDIO DE COMPENSACIÓN. POR EL PRESENTE DOCUMENTO, SE RECHAZAN EL RESTO DE GARANTÍAS (YA SEAN EXPRESAS, IMPLÍCITAS O LEGALES), INCLUIDAS LAS GARANTÍAS IMPLÍCITAS, DE ADECUACIÓN PARA UNA FINALIDAD DETERMINADA O DE COMERCIALIZACIÓN. EL FABRICANTE NO ASUMIRÁ NINGUNA RESPONSABILIDAD POR NINGÚN DAÑO O PÉRDIDA ESPECIAL, INDIRECTA, INCIDENTAL O CONSECUENTE, QUE SE HAYA PROVOCADO POR CUALQUIER CAUSA O TEORÍA.** Dado que algunos estados o países no permiten la exclusión o limitación de una garantía implícita o de daños incidentales o consecuentes, es posible que esta limitación no se le aplique a usted.

Reparación

Todas las herramientas de Amprobe devueltas para realizar una reparación cubierta o no por la garantía, o para realizar tareas de calibración, deben estar acompañadas de lo siguiente: su nombre, nombre de la compañía, dirección, número de teléfono y justificante de compra. Además, incluya una breve descripción del problema o del servicio solicitado, así como los conductores de comprobación con el medidor. El pago de la reparación o sustitución no cubierta por la garantía se hará a través de un cheque, giro postal, tarjeta de crédito con fecha de caducidad o una orden de compra pagadera a Amprobe.

Reparaciones y sustituciones cubiertas por la garantía – Todos los países

Lea la declaración de garantía y compruebe la pila antes de solicitar el servicio de reparación. Durante el periodo de garantía, puede devolver cualquier herramienta de comprobación defectuosa al distribuidor de Amprobe para que se la cambien por otra nueva o similar. Consulte la sección "Where to Buy" (Lugares de compra) en amprobe.com para obtener una lista de los distribuidores cercanos. Además, en Estados Unidos y Canadá, las unidades de reparación y sustitución cubiertas por la garantía también se pueden enviar al Centro de servicio técnico de Amprobe (consulte la dirección a continuación).

Reparaciones y sustituciones no cubiertas por la garantía – Estados Unidos y Canadá

Las reparaciones no cubiertas por la garantía en Estados Unidos y Canadá se deben enviar a un Centro servicio técnico de Amprobe. Llame a Amprobe o pregunte en su punto de compra las tarifas actuales de reparación y sustitución.

EE.UU.:	Canadá:
Amprobe	Amprobe
Everett, WA 98203	Mississauga, ON L4Z 1X9
Teléfono: 877-AMPROBE (267-7623)	Teléfono: 905-890-7600

Reparaciones y sustituciones no cubiertas por la garantía – Europa

Su distribuidor de Amprobe debe reemplazar las unidades europeas no cubiertas por la garantía por una cuota nominal. Consulte la sección "Dónde comprar" en el sitio web beha-amprobe.com para obtener una lista de distribuidores cercanos.

Beha-Amprobe*
In den Engematten 14
79286 Glottertal, Germany
Teléfono: +49 (0) 7684 8009 - 0
beha-amprobe.com

* (Solo correspondencia; en esta dirección no se permiten reparaciones o sustituciones. En el caso de países europeos, se deben poner en contacto con el distribuidor).

CONTENIDO

1. PRECAUCIONES Y MEDIDAS DE SEGURIDAD	2
2. COMPONENTES DEL KIT	5
2.1 Receptor AT-6010-R	5
2.2 Transmisor AT-6010-T.....	6
2.3 Pinza de señal CT-400 (accesorio opcional para el modelo AT-6010)	9
3. APLICACIONES PRINCIPALES	10
3.1 Rastreo: cables energizados y desenergizados	11
3.2 Identificación de disyuntores y fusibles (energizados y desenergizados).....	13
4. APLICACIONES ESPECIALES	15
4.1 Rastreo de cables en circuitos protegidos con GFCI	15
4.2 Búsqueda de rupturas/aperturas	15
4.3 Búsqueda de cortocircuitos.....	16
4.4 Rastreo de cables en conducto metálico.....	16
4.5 Rastreo de tuberías y conductos no metálicos.....	17
4.6 Rastreo de cables blindados.....	17
4.7 Rastreo de cables subterráneos	18
4.8 Rastreo de cables de baja tensión y cables de datos.....	18
4.9 Cómo ordenar cables agrupados.....	19
4.10 Mapeo de circuitos utilizando la conexión de los terminales de prueba	19
4.11 Rastreo de disyuntores en sistemas con atenuadores de luz.....	20
4.12 Pinza de señal (accesorio opcional): circuitos de bucle cerrado	20
4.13 Pinza de señal (accesorio opcional): mapeo de circuitos	21
5. MANTENIMIENTO.....	22
5.1 Reemplazo de las pilas	22
5.2 Reemplazo del fusible.....	24
6. ESPECIFICACIONES	25

1. PRECAUCIONES Y MEDIDAS DE SEGURIDAD

General

Para su propia seguridad y para evitar daños en el instrumento, se recomienda seguir los procedimientos indicados a continuación:






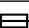






NOTA: Antes y durante las mediciones, siga cuidadosamente las instrucciones.

- Asegúrese de que el instrumento eléctrico esté funcionando correctamente antes de usarlo.
- Antes de conectar los conductores, asegúrese de que la tensión presente en el conductor esté dentro del rango del instrumento.
- Guarde los instrumentos en su funda de transporte cuando no estén en uso.
- Si el transmisor o el receptor no se usarán durante un tiempo prolongado, extraiga las pilas para evitar fugas en los instrumentos.
- Use cables y accesorios aprobados por Amprobe únicamente.

Precauciones de seguridad

- En muchos casos, es posible que estén presentes niveles peligrosos de tensión y/o corriente. Por lo tanto, es importante que evite el contacto directo con superficies con conducción de corriente sin aislamiento. Se deberán utilizar guantes aislantes y ropa de protección en áreas con tensiones peligrosas.
- No mida la tensión o la corriente en lugares húmedos o con polvo.
- No realice mediciones de la tensión en presencia de gas, materiales explosivos o combustibles.
- No toque el circuito que se está probando si no se están tomando mediciones.
- No toque las piezas metálicas expuestas, como los terminales y los circuitos sin utilizar.
- No use el instrumento si sospecha que está funcionando mal (es decir, si observa deformaciones, rupturas, fugas de sustancias y ausencia de mensajes en la pantalla, etc.).

SÍMBOLOS

	¡Precaución! Consulte la explicación de este manual.
	ADVERTENCIA SOBRE TENSIÓN PELIGROSA. Riesgo de descarga eléctrica.
	Consulte la documentación del usuario.
	El equipo está protegido por un doble aislamiento o un aislamiento reforzado.
	Masa (tierra).
	Fusible
	Pilas.
	Certificado por el CSA Group conforme los estándares de seguridad de Norteamérica.
	Cumplimiento con los estándares EMC de Corea del Sur pertinentes. Compatibilidad electromagnética: Corea (KCC): Equipo "Clase A" (Equipo de difusión y comunicación industrial) ^[1] ^[1] Este producto cumple los requisitos de un equipo industrial de onda electromagnética (Clase A), y el vendedor o el usuario deberán estar al tanto de esto. Este equipo está diseñado para el uso en entornos comerciales y no se deberá utilizar en hogares.
	Está conforme con la normativa relevante en Australia.
	Cumple con la normativa europea.
	Este producto cumple con los requisitos de señalización de la Directiva WEEE. La etiqueta adherida al producto indica que no debe desechar este producto eléctrico/electrónico con los residuos domésticos. Categoría de producto: Con referencia a los tipos de equipos del Anexo I de la Directiva WEEE, este producto está clasificado como producto de categoría 9: "Instrumento de supervisión y control". No deseche este producto como un residuo municipal sin clasificación.

1. PRECAUCIONES Y MEDIDAS DE SEGURIDAD

Información de seguridad

El producto cumple con:

- UL/IEC/EN 61010-1, CAN/CSA C22.2 núm. 61010-1, nivel de 2 contaminación, categoría de medición III 600 V MÁX.
- IEC/EN 61010-2-033
- IEC/EN 61010-2-032
- IEC/EN 61010-031 (terminales de prueba)
- EMC IEC/EN 61326-1

La categoría de medición III (CAT III) corresponde a la prueba y medición de circuitos conectados a la parte de distribución de la instalación de suministro eléctrico de baja tensión de la edificación. Se espera que esta parte de la instalación tenga un mínimo de 2 niveles de dispositivos de protección contra excesos de corriente entre el transformador y los posibles puntos de conexión.

Directivas CENELEC

El instrumento cumple con la directiva de baja tensión CENELEC 2014/35/EU y la directiva de compatibilidad electromagnética 2014/30/EU.

Advertencias: Leer antes de usar

Para evitar la posibilidad de descargas eléctricas o lesiones personales:

- Utilice el producto solo como se especifica en este manual o, de lo contrario, la protección ofrecida por el instrumento podría verse comprometida.
- Evite trabajar solo a fin de poder recibir asistencia en caso de que sea necesario.
- Mida en una fuente de señal activa dentro del rango de tensión nominal del producto antes y después de utilizarlo a fin de garantizar que el producto esté en buenas condiciones de funcionamiento.
- No utilice el producto alrededor de gases explosivos, vapor o en ambientes húmedos.
- Inspeccione el producto antes del uso y no lo utilice si presenta daños. Examine en búsqueda de grietas o plásticos faltantes. Preste especial atención al aislamiento alrededor de los conectores.
- Inspeccione los terminales de prueba antes de utilizarlos. No los utilice si el aislamiento está dañado o el metal está expuesto.
- No utilice el producto si funciona de forma incorrecta. La protección podría verse afectada. Si existe alguna duda, haga revisar el producto.
- Inspeccione la continuidad de los terminales de prueba. Reemplace los terminales de prueba dañados antes de utilizar el producto.
- Solicite la reparación del producto solo a personal de servicio técnico calificado.
- Tenga extremo cuidado al trabajar alrededor de conductores o barras de conexión expuestos. El contacto con el conductor podría derivar en una descarga eléctrica.
- No sujete el producto más allá de la barrera táctil.
- No aplique más de la tensión nominal y la clasificación de categoría, tal como se indica en el producto, entre los terminales o entre cualquier terminal y la masa de conexión a tierra.
- Extraiga los conductores de prueba del producto antes de abrir la cubierta o tapa de las pilas del producto.
- Nunca utilice el producto con la tapa de las pilas extraída o la cubierta abierta.
- Tenga cuidado al trabajar con tensiones superiores a 30 V de CA (RMS), 42 V de CA (pico) o 60 V de CC. Estas tensiones representan un peligro de descarga eléctrica.
- No intente realizar una conexión con algún circuito que tenga una tensión que podría exceder el rango máximo del producto.
- Utilice los terminales, las funciones y los rangos correctos para las mediciones.
- Al utilizar pinzas de cocodrilo, mantenga los dedos detrás de las protecciones para los dedos.
- Utilice solo un reemplazo del fusible exacto y piezas de reemplazo especificadas.
- Al realizar conexiones eléctricas, conecte el terminal de prueba neutro antes de conectar el terminal de prueba vivo; al realizar la desconexión, desconecte el terminal de prueba vivo antes de desconectar el terminal de prueba neutro.

1. PRECAUCIONES Y MEDIDAS DE SEGURIDAD

- Para evitar que existan lecturas incorrectas que podrían provocar descargas eléctricas y/o lesiones, reemplace las pilas ni bien aparezca el indicador de pilas por agotarse. Verifique el funcionamiento del medidor con una fuente conocida antes y después de cada utilización.
- Utilice solo pilas "AA" colocadas correctamente en el medidor para alimentar el producto (consulte la sección 5.1: Reemplazo de las pilas).
- Al solicitar el servicio técnico del medidor, utilice solo las piezas de reemplazo especificadas que el usuario puede reemplazar.
- Respete los códigos de seguridad locales y nacionales. Se deberán utilizar equipos de protección individual para evitar lesiones por descargas y estallidos por arco en aquellas situaciones en las que los conductores vivos están expuestos.
- Utilice solo los terminales de prueba suministrados con el producto o el conjunto de sonda con clasificación UL y CAT III de 600 V o superior.
- No utilice la VARILLA DE TIERRA (TIC 410A) para utilizar el receptor AT-6000-RE en tensiones superiores a 600 V.
- Extraiga las pilas si el medidor no se utilizará durante un período extenso o si se lo almacenará a temperaturas superiores a 122 °F (50 °C). Si no se extraen las pilas, la fuga de las pilas podría provocar daños en el medidor.
- Siga todas las instrucciones de mantenimiento y carga de las pilas proporcionadas por el fabricante de las pilas.
- No utilice el producto para comprobar la ausencia de tensión. En cambio, utilice un voltímetro.

Este manual incluye información y advertencias que deben seguirse para el funcionamiento y mantenimiento seguros del instrumento. Si el producto se usa de una manera que no esté especificada por el fabricante, la protección ofrecida por el producto podría verse afectada. Este producto cumple con protección contra agua y polvo IP52 (receptor) e IP40 (transmisor y pinza de señal) conforme IEC 60529. NO utilice el producto en exteriores durante períodos de lluvia. El producto tiene un aislamiento doble de protección según EN 61010-1 para CAT III de 600 V.

PRECAUCIÓN: No conecte el transmisor a una conexión a tierra independiente en áreas de pacientes eléctricamente susceptibles de instalaciones de atención médica. Realice una conexión a tierra antes de desconectar.

La caja de embalaje debe incluir:

	KIT DE AT-6010
RECEPTOR AT-6010-R	1
Transmisor AT-6010-T	1
KIT DE ACCESORIOS Y TERMINALES DE PRUEBA TL-6000-INTL*	1
FUNDA DE TRANSPORTE SUAVE CC-6010	1
MANUAL DE USUARIO	1
PILAS AA DE 1,5 V (IEC LR6)	12

*El kit de accesorios y terminales de prueba TL-6000-INTL incluye:

- 2 terminales de prueba de 1 m (rojo y negro)
- 1 terminal de prueba de 7 m (verde)
- 2 pinzas de cocodrilo (roja y negra)
- 2 adaptadores de clavija de tomacorriente (rojo y negro)
- 2 adaptadores redondos de tomacorriente (rojo y negro)

Accesorios opcionales:

Adaptador de tomacorrientes ADPTR-SCT

Soporte magnético HS-1

Terminal de prueba TL-7000-25M

Pinza de señal CT-400

2. COMPONENTES DEL KIT

2.1 Receptor AT-6010-R

El receptor AT-6010-R detecta la señal en cables. El transmisor AT-6010-T, conectado al cable, es el encargado de generar la señal.

La principal ventaja de este método es la capacidad de rastrear la trayectoria del cable en particular utilizando el receptor. Puesto que la señal no está presente en cualquiera de los cables cercanos, el receptor detectará solo un cable que esté conectado al transmisor.

Nota: El receptor **NO** detectará señales del cable a través de un conducto metálico o el cable blindado. Para conocer métodos alternativos de rastreo, consulte Aplicaciones especiales, sección 4.4 "Rastreo de cables en conducto metálico".

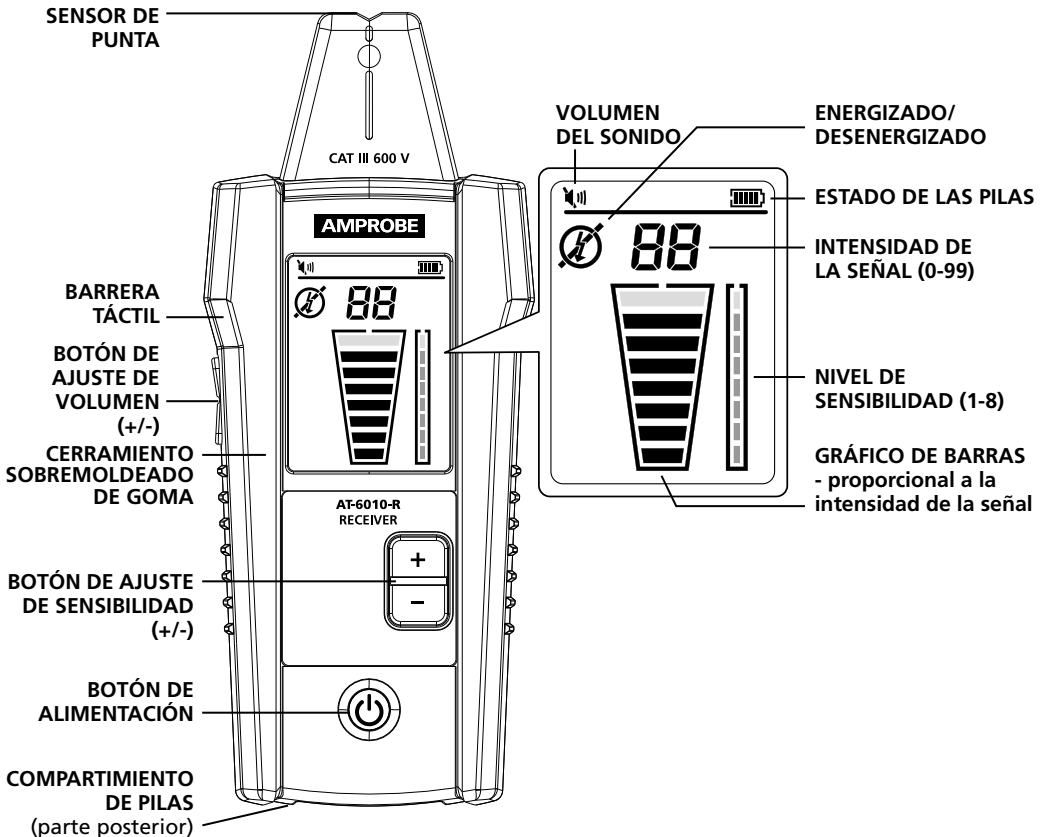


Figura 2.1: Descripción general del receptor AT-6010-R

BOTÓN DE ALIMENTACIÓN: presione brevemente para encender el receptor. Mantenga presionado durante más de 2 segundos para apagar el receptor.

AJUSTE DEL VOLUMEN: el volumen puede cambiarse presionando brevemente los botones para subir y bajar el volumen.

Se encuentran disponibles cuatro niveles de volumen y la función de silencio. Se mostrará en la pantalla el nivel de volumen elegido.

SENSOR DE PUNTA: el LED del sensor de punta parpadeará cuando se detecte una señal. Cuanto más fuerte sea la señal, más rápido será el parpadeo.

SENSIBILIDAD: presione los botones +/- para ajustar la sensibilidad del receptor. Se encuentran disponibles 8 niveles.

2. COMPONENTES DEL KIT

2.2 Transmisor AT-6010-T

El transmisor AT-6010-T funciona en circuitos energizados y desenergizados de hasta 600 V de CA/CC en entornos eléctricos de categoría I a categoría III.

Modos de señal del transmisor:

Señal alta (Hi): la función de modo HIGH (ALTO) se recomienda para la mayoría de aplicaciones de rastreo de cables en circuitos energizados y desenergizados, incluida la ubicación de disyuntores. Esta función es la que se utilizará la mayoría del tiempo.

Modo Loop (Bucle): este modo puede activarse presionando brevemente el botón de ON/OFF. El led Loop (Bucle) se encenderá cuando se active este modo. Se deberá utilizar al trabajar con circuitos desenergizados de bucle cerrado, como cables en cortocircuito, cables blindados o cables desenergizados que están conectados a tierra en el extremo lejano.

¿Cómo la función de bucle es diferente de la configuración Hi (Alto) al utilizar terminales de prueba?

El modo HIGH (ALTO) genera una señal en todas las ramas abiertas del circuito desenergizado. Esto es de suma utilidad al rastrear cables abiertos. El modo Hi (Alto) NO funcionará en los cables que están conectados a tierra en el extremo lejano, puesto que no se puede generar la señal.

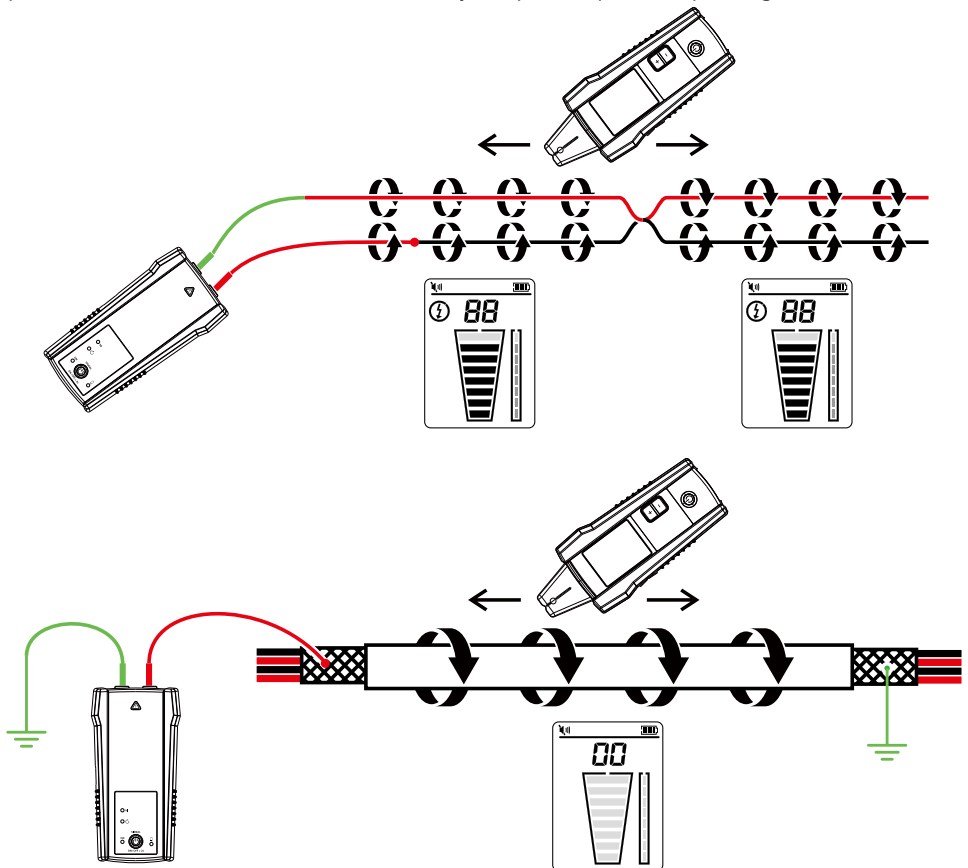


Figura 2.2a: Generación de una señal en el modo HIGH (ALTO)

El modo Loop (Bucle) genera una señal (flujo de circuito) solo en circuitos desenergizados de bucle cerrado. El modo de bucle se utiliza para encontrar con precisión la ubicación de un cortocircuito (debido a que la corriente no podrá fluir en ramas abiertas) y para rastrear los cables que están conectados a tierra en el extremo lejano (debido a que el bucle está cerrado a través de la conexión a tierra).

2. COMPONENTES DEL KIT

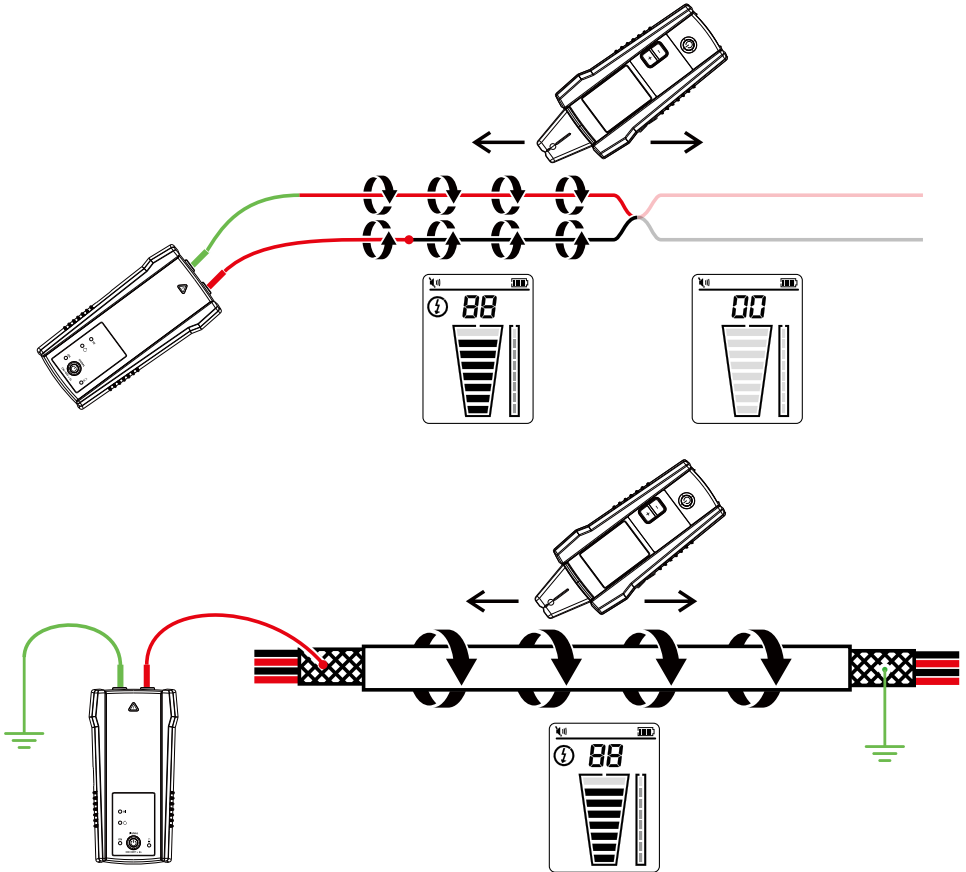


Figura 2.2b: Generación de una señal en el modo Loop (Bucle)

Nota: El modo Loop (Bucle) solo funciona en los circuitos desenergizados. Se activa de forma automática cuando el transmisor está conectado a la línea energizada con terminales de prueba.

Cómo trabajar con el transmisor:

Cuando el transmisor está encendido y conectado al circuito con los terminales de prueba, comprueba la tensión.

Un indicador de advertencia de tensión rojo se encenderá si el transmisor detecta niveles de tensión peligrosos por encima de 30 V de CA/CC.

IMPORTANTE:

La luz indicadora de advertencia de tensión parpadeará cuando se detecte una sobretensión (> 650 V de CA/CC). En caso de una sobretensión, desconecte de inmediato el transmisor del circuito. El indicador de advertencia de tensión no está diseñado para comprobar la ausencia de tensión. En cambio, utilice un voltímetro.

Ni bien se lo enciende, el transmisor comienza a generar una señal de rastreo. En función de la tensión detectada, el transmisor cambia automáticamente a:

- Modo energizado (de 30 600 V de CA/CC) que genera una frecuencia de 6 kHz
- Modo desenergizado (de 0 30 V de CA/CC) que genera una frecuencia de 33 kHz

El modo energizado utiliza una frecuencia de transmisión más baja (6 kHz) que el modo desenergizado (33 kHz) para reducir el acople de señal entre los cables. El modo desenergizado requiere una frecuencia más elevada para poder generar una señal confiable.

2. COMPONENTES DEL KIT

Modo energizado: En modo energizado, el transmisor obtiene una corriente muy baja del circuito energizado y genera una señal de 6 kHz. Esta es una característica muy importante del transmisor, dado que la obtención de corriente no inyecta ninguna señal que pueda dañar los equipos sensibles conectados al circuito. La señal también se genera en una trayectoria directa entre el transmisor y la fuente de alimentación, por lo que **NO** se coloca una señal en las ramas, lo cual permite el rastreo de cables directamente hacia el panel del interruptor. Tenga en cuenta que, debido a esta característica, el transmisor debe conectarse del lado de carga del circuito.

Modo desenergizado: En modo desenergizado, el transmisor inyecta una señal de 33 kHz en el circuito. En este modo, la señal viajará a través de las ramas del circuito debido a que se la inyecta. La señal de muy baja energía y alta frecuencia que no dañará los equipos sensibles.

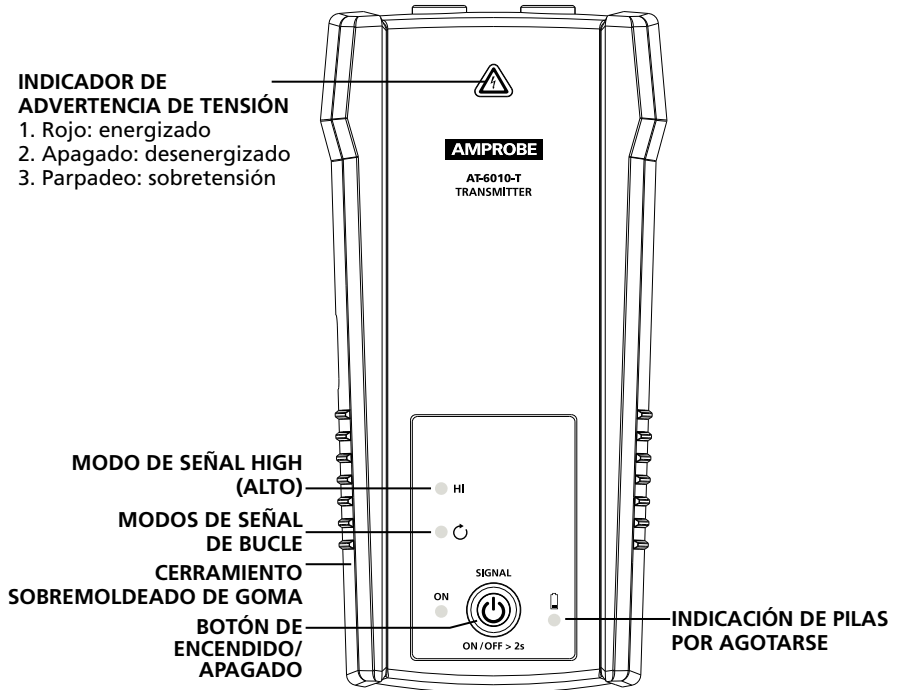


Figura 2.2c: Descripción general del transmisor AT-6010-T

ENCENDIDO/APAGADO:

- Mantenga presionado durante más de 2 segundos para encender el transmisor (el transmisor se activará automáticamente en el modo HIGH (ALTO)).
- Presione brevemente el botón de ON/OFF para cambiar entre el modo HIGH (ALTO) y LOOP (BUCLE).
- Mantenga presionado durante más de 2 segundos para apagar el transmisor.

INDICADOR DE ADVERTENCIA DE TENSIÓN: La luz de advertencia estará encendida para circuitos energizados (de 30 a 600 V de CA/CC), apagada para circuitos desenergizados (de 0 a 30 V de CA/CC) y parpadeando si se detecta una sobretensión (> 650 V de CA/CC).

Indicación de pilas por agotarse:

LED apagado	Pilas en buen estado	Aprox. de 10 V a 12 V
LED encendido	Advertencia de pilas por agotarse	Aprox. de 9,5 V a 10 V
LED parpadeando	Reemplazar pilas	Aprox. de 7,3 V a 9,5 V

El dispositivo se apagará si la tensión es inferior a 6,9 V

2. COMPONENTES DEL KIT

2.3 Pinza de señal CT-400

(accesorio opcional para el modelo AT-6010)

La pinza de señal se usa para aplicaciones donde no hay acceso a los conductores expuestos. El accesorio de pinza le permite al transmisor inducir una señal a través del aislamiento a cualquiera de los cables. La pinza funciona en circuitos cerrados de baja impedancia.

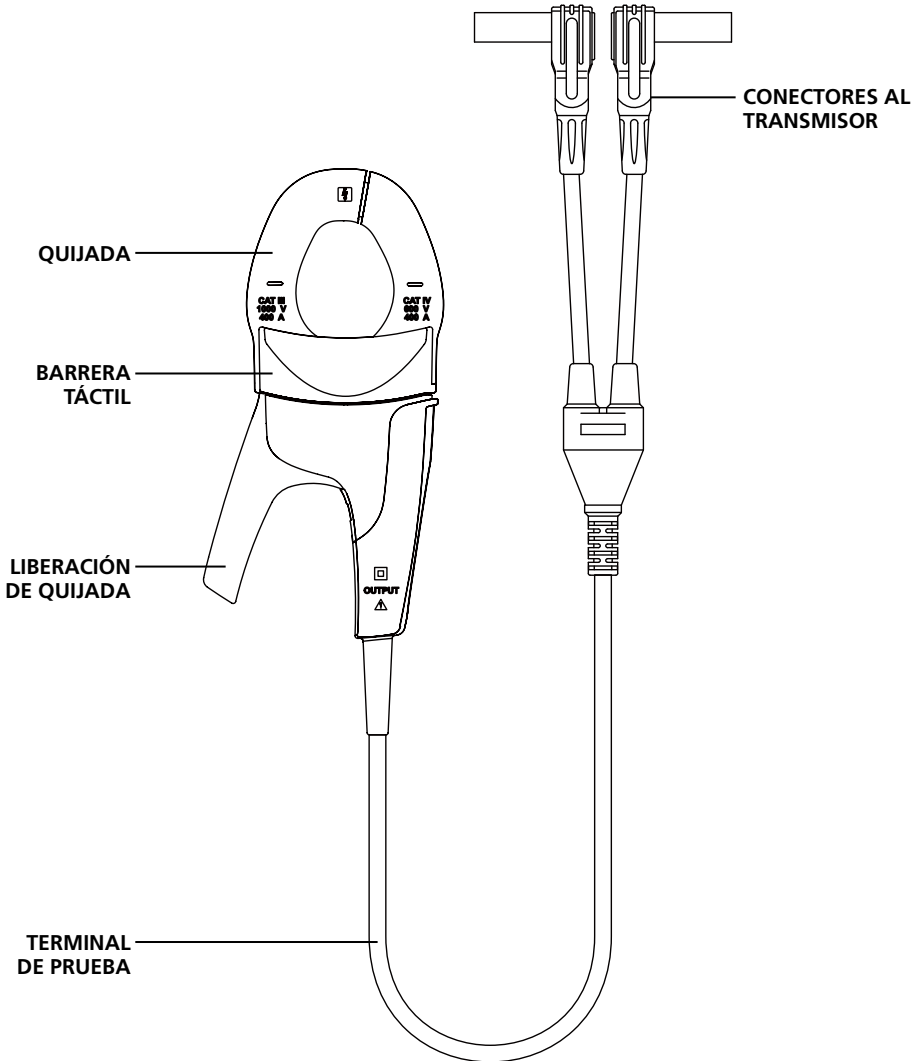


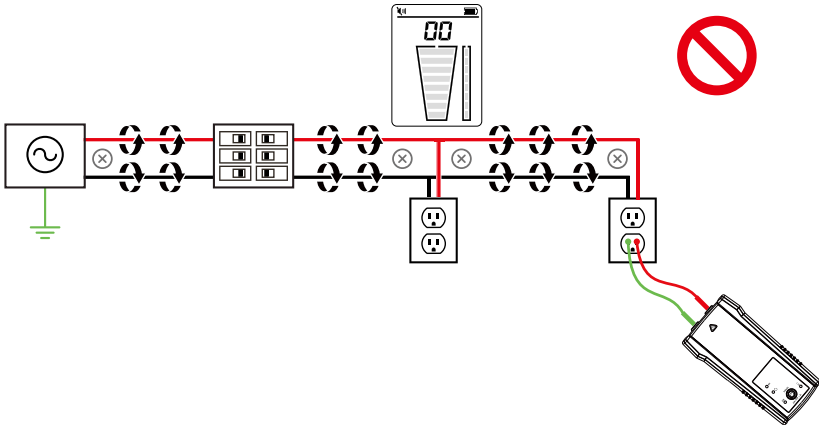
Figura 2.3: Descripción general de la pinza de señal CT-400

3. APLICACIONES PRINCIPALES

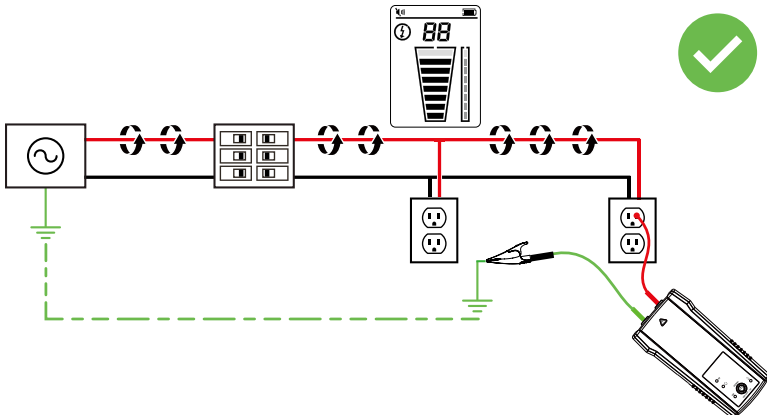
⚠️ ⚠️ AVISO IMPORTANTE: LÉALO ANTES DE COMENZAR EL RASTREO

Cómo evitar problemas de cancelación de señal con una conexión a tierra independiente

La señal generada por el transmisor crea un campo electromagnético alrededor del cable. Este campo es lo que detecta el receptor. Cuanto más clara sea esta señal, más fácil será rastrear el cable. Si el transmisor está conectado a dos cables adyacentes del mismo circuito (por ejemplo, cables vivo y neutro de un cable Romax), la señal se desplaza en una dirección a través del primer cable y vuelve (en la dirección opuesta) por el segundo. Esto causa la creación de dos campos electromagnéticos alrededor de cada cable con dirección opuesta. Estos campos opuestos se cancelarán parcial o completamente entre sí, lo que hará que el rastreo resulte difícil o imposible.



Para evitar el efecto de cancelación, se debe usar un método de conexión a tierra independiente. El terminal de prueba rojo del transmisor debe estar conectado al cable vivo del circuito que desea rastrear, y el terminal verde a una conexión a tierra independiente, como una tubería de agua, un poste a tierra, una estructura metálica a tierra del edificio o una conexión a tierra de toma de una toma de corriente de un circuito diferente. Es importante comprender que una conexión a tierra independiente aceptable NO es la terminal de puesta a tierra de un receptáculo del mismo circuito que el cable que desea rastrear. Si el cable vivo está energizado y el transmisor está conectado correctamente a una conexión a tierra independiente, la luz LED roja del transmisor se encenderá. La conexión a tierra independiente crea la intensidad de señal máxima, porque el campo electromagnético creado alrededor del cable vivo no se cancela por una señal en la trayectoria de retorno que fluye a lo largo de un cable adyacente (vivo o neutro) en la dirección opuesta, sino a lo largo de un circuito a tierra independiente.



3. APLICACIONES PRINCIPALES: RASTREO DE CABLES ENERGIZADOS Y DESENERGIZADOS

3.1 Rastreo: cables energizados y desenergizados Conexión de los terminales de prueba con el transmisor

1. Conecte los terminales de prueba verde y rojo al transmisor (no es necesario tener en cuenta la polaridad).
2. Con los accesorios de terminales de prueba suministrados, conecte el terminal de prueba rojo al cable que se rastreará (energizado o desenergizado). En el caso de receptáculos, asegúrese de conectar el terminal de prueba al cable de línea (vivo). En el caso de sistemas energizados, la señal se transmitirá ÚNICAMENTE entre el lado de carga al que está conectado el transmisor y la fuente de alimentación (consulte la Figura 3.1a).
3. Conecte el cable verde a una conexión a tierra independiente (estructura metálica del edificio, tubería de agua metálica o cable a tierra en un circuito independiente).

***Nota: Tenga en cuenta que si trabaja con circuitos protegidos con GFCI, este método interrumpirá la protección de GFCI. Para conocer métodos alternativos de rastreo, consulte Aplicaciones especiales, sección 4.1 "Rastreo de cables en circuitos protegidos con GFCI".**

SUGERENCIA: El transmisor, con el terminal de prueba rojo, puede conectarse directamente al cable vivo del equipo eléctrico en funcionamiento con carga (motor, dispositivo electrónico, etc.). Se puede realizar el rastreo sin necesidad de apagar el equipo o la alimentación.

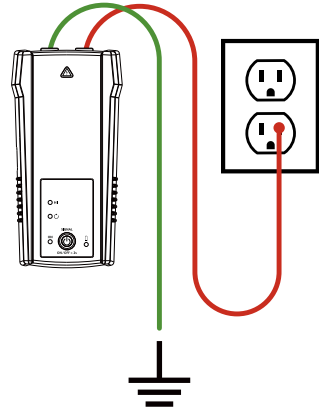


Figura 3.1a: Conexión adecuada con conexión a tierra independiente

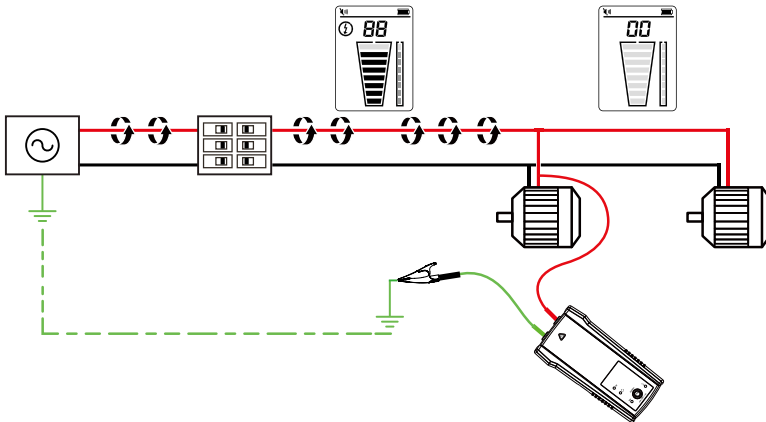


Figura 3.1b: Conexión del transmisor al sistema energizado en funcionamiento

Configuración del transmisor AT-6010-T

1. Presione el botón de ON/OFF para encender el transmisor.
2. Verifique que los terminales de prueba estén conectados de forma correcta. La luz de estado de tensión LED roja deberá encenderse para circuitos con tensiones superiores a 30 V de CA/CC y deberá estar apagada en el caso de circuitos desenergizados con tensiones inferiores a 30 V de CA/CC.

Nota: Asegúrese de utilizar la conexión a tierra independiente, tal como se describe anteriormente.

3. El modo de señal HIGH (ALTO) se activa de forma automática cuando se enciende el transmisor. El LED del transmisor debe aparecer como se muestra en la Figura 3.1c.

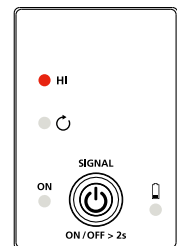


Figura 3.1c: Indicador del transmisor que muestra la señal en el modo HIGH (ALTO)

3. APLICACIONES PRINCIPALES: RASTREO DE CABLES ENERGIZADOS Y DESENERGIZADOS

Uso del receptor AT-6010-R en el modo de rastreo

Utilice el receptor para establecer de forma precisa la ubicación del cable o la ubicación de la falla. El receptor indicará la intensidad de señal detectada utilizando la lectura de dos dígitos, un gráfico de barras y un sonido.

1. Encienda el receptor. El modo de rastreo se activa automáticamente.
2. Realice una lectura del área de destino con el sensor de punta para buscar el nivel de señal más alto. Al realizar un rastreo, ajuste periódicamente la sensibilidad para mantener la intensidad de señal cerca de 50. Aumente o reduzca la sensibilidad presionando + o - en el teclado.
3. Para obtener los mejores resultados al rastrear cables energizados, alinee la marca de la punta del sensor de punta con la dirección del cable, tal como se muestra en figura 3.1d. Si no se alinea correctamente, es posible que la señal no se detecte. Para comprobar la dirección del cable, gire periódicamente el receptor 90 grados. La intensidad de señal será más alta cuando esté alineado con la marca del sensor de punta.

En función de la señal detectada, el receptor cambia automáticamente al modo Energizado ⚡ o Desenergizado ⚡, y muestra esta información en la pantalla LCD. No se requiere ninguna configuración manual.

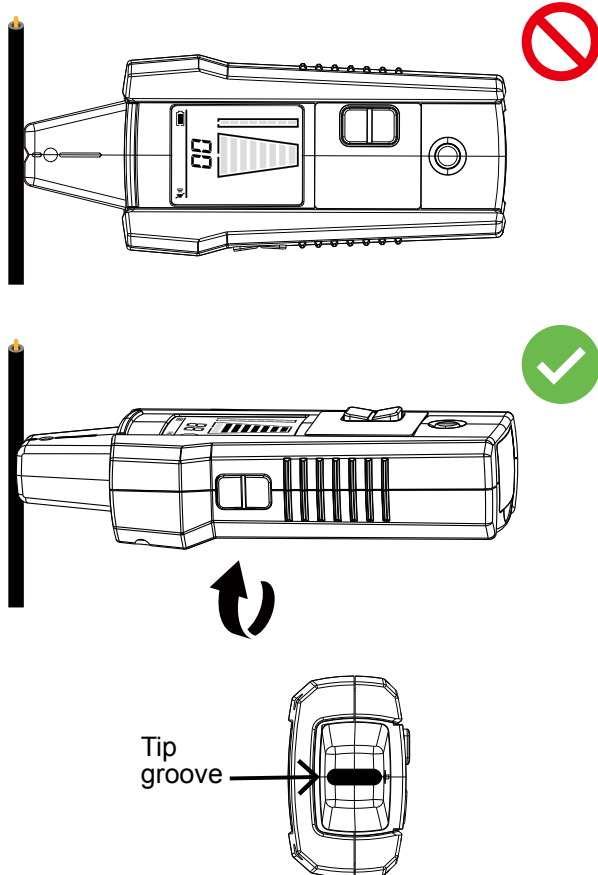


Figura 3.1d: Alineación de la ranura del sensor de punta

Nota: Para obtener mejores resultados, mantenga el receptor a 3 pies como mínimo del transmisor y sus terminales de prueba para minimizar la interferencia de señal.

3. APLICACIONES PRINCIPALES: RASTREO DE CABLES ENERGIZADOS Y DESENERGIZADOS

3.2 Identificación de disyuntores y fusibles (energizados y desenergizados)

Nota: Para la ubicación de interruptores, se puede utilizar una conexión directa simplificada a los cables vivo y neutral, porque estos cables se separan en el panel del interruptor. No hay riesgo de efecto de cancelación de señal si los cables están alejados al menos unos centímetros (pulgadas) entre sí. Sin embargo, debe utilizarse la conexión a tierra independiente (sección 3.1) para obtener resultados superiores si se deben rastrear cables además de identificar el disyuntor.

La conexión directa simplificada a los cables vivo y neutral **NO** interrumpirá el circuito de GFCI.

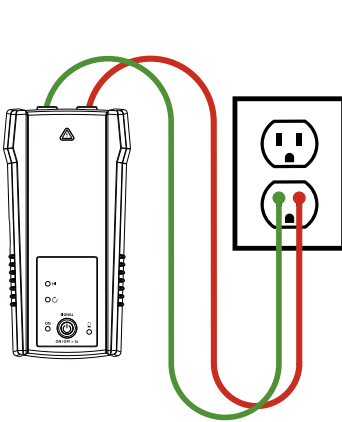


Figura 3.2a: Conexión directa simplificada

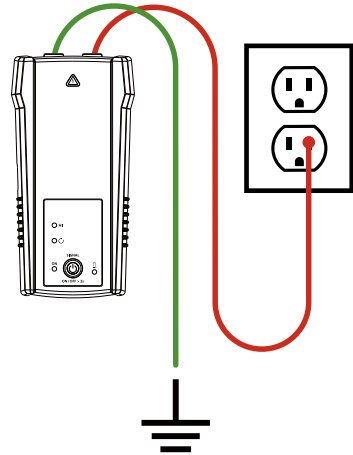


Figura 3.2b: Conexión a tierra independiente (preferida)

Conexión de los terminales de prueba

1. Conecte el transmisor con la conexión directa simplificada o la conexión a tierra independiente.
2. Si se utiliza el método de conexión directa simplificada, conecte los terminales de prueba directamente a los cables vivo y neutro. Al localizar un disyuntor, los cables no deberán ser rastreables, puesto que las señales se cancelarán entre sí.
3. Para la conexión a tierra independiente, conecte el terminal rojo al cable de línea (vivo) en el lado de carga del sistema. El cable puede estar energizado o desenergizado. Conecte el terminal verde a una conexión a tierra independiente, como una estructura metálica del edificio, tubería de agua metálica o cable a tierra en un circuito independiente.

SUGERENCIA: El transmisor, con el terminal de prueba rojo, puede conectarse directamente al cable vivo del equipo eléctrico en funcionamiento con carga (motor, dispositivo electrónico, etc.). Se puede realizar el rastreo sin necesitar de apagar el equipo o la alimentación.

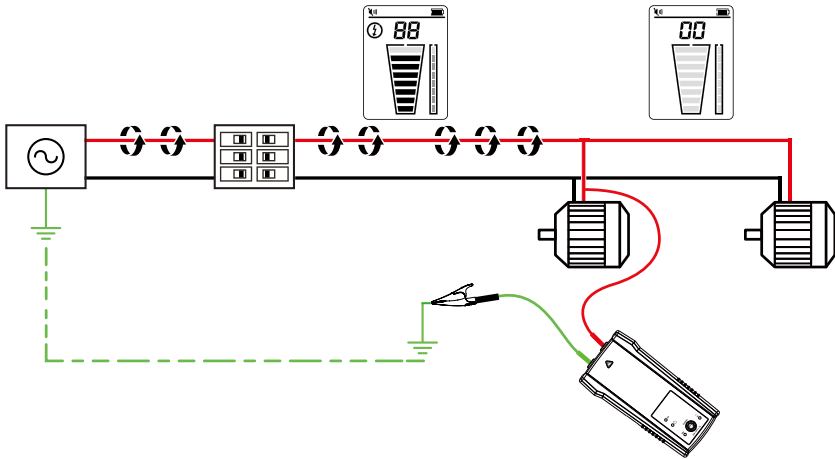


Figura 3.2c: Conexión del transmisor al sistema energizado en funcionamiento

Configuración del transmisor AT-6010-T

1. Presione el botón de encendido/apagado para encender el transmisor.
2. Verifique que los terminales de prueba estén conectados de forma correcta. La luz LED de estado de tensión roja se encenderá en el caso de circuitos energizados con una tensión superior a 30 V de CA/CC. Si la tensión está desenergizada, la luz se apagará.
3. El modo de señal HIGH (ALTO) se activa de forma automática cuando se enciende el transmisor.

Uso del receptor AT-6010-R

1. Encienda el receptor. El modo de rastreo se activa automáticamente.
2. Alinee la marca del sensor de punta con el disyuntor a lo largo (consulte la Figura 3.2d).
3. Realice la lectura de todos los disyuntores en cualquier orden para encontrar el disyuntor con la señal más alta. Ajuste la sensibilidad presionando + o - en el teclado para mostrar la intensidad de señal cerca de 50 para el disyuntor con la señal más alta. Después de cualquier ajuste de sensibilidad, vuelva a realizar la lectura de todos los disyuntores para encontrar aquel con el nivel de señal más alto.

Nota importante: Las diferencias en los diseños, la altura y la superficie de contacto interna de los disyuntores podría afectar la precisión de la identificación del disyuntor. Para obtener los resultados más confiables, extraiga la tapa del panel del disyuntor y realice la lectura en los cables en lugar de realizarlo en los disyuntores.

En función de la señal detectada, el receptor cambia automáticamente al modo Energizado (⚡) o Desenergizado (⚡), y muestra esta información en la pantalla LCD.

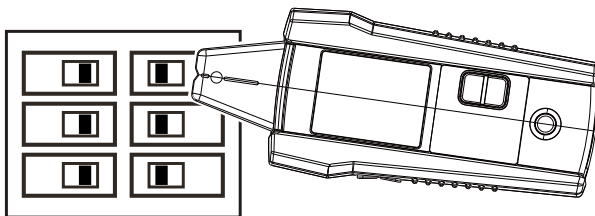


Figura 3.2d: Alinee la ranura del sensor de punta con el disyuntor

4. APLICACIONES ESPECIALES

4.1 Rastreo de cables en circuitos protegidos con GFCI: Conexión del transmisor AT-6010-T a circuitos protegidos con GFCI

La conexión del transmisor a un circuito protegido con GFCI energizado a través de un método de conexión a tierra independiente interrumpirá la protección de GFCI. Utilice los siguientes métodos para trabajar con circuitos protegidos con GFCI. Para una toma de corriente protegida con GFCI desenergizada que no esté desconectada, puede conectar directamente los terminales de prueba a la toma de corriente a través del modo de sensor de punta desenergizado:

Método 1 – Derive el circuito con GFCI para evitar la interrupción del GFCI:

(para tomas de corriente protegidas con GFCI energizadas únicamente)

- Extraiga la placa protectora de pared del receptáculo.
- Con la pinza cocodrilo, conecte un terminal de prueba rojo al tornillo para conectar el cable vivo energizado al receptáculo.
- Conecte el terminal de prueba verde con un método de conexión a tierra independiente.
- Realice el rastreo tal como se describe en las secciones 3.1 o 3.2.

Método 2 – NO use una conexión a tierra independiente para evitar que se interrumpa el GFCI:

(para tomas de corriente e interruptores protegidos con GFCI)

- Conecte el transmisor con los terminales de prueba a los cables neutro y vivo.
- Realice el rastreo tal como se describe en las secciones 3.1 o 3.2.

Nota: Este tipo de conexión causa acoplamiento de señal y reduce la intensidad de señal. Si la señal es demasiado débil o no rastreable, use el Método 3.

Método 3 - Desenergice el circuito:

(para interruptores protegidos con GFCI)

- Conecte el transmisor directamente al cable como se describe en la sección 3.1.
- Realice el rastreo tal como se describe en las secciones 3.1 o 3.2.

4.2 Búsqueda de rupturas/aperturas

Es posible encontrar con precisión la ubicación exacta donde el cable está roto, incluso si el cable está ubicado detrás de paredes, pisos o techos.

1. Asegúrese de que el cable esté desenergizado.
2. Utilice los pasos descritos en la sección 3.1 para conectar el transmisor y realizar el rastreo.
3. Para obtener los mejores resultados, realice la conexión a tierra de todos los cables desenergizados colocados en paralelo al terminal de prueba negro.

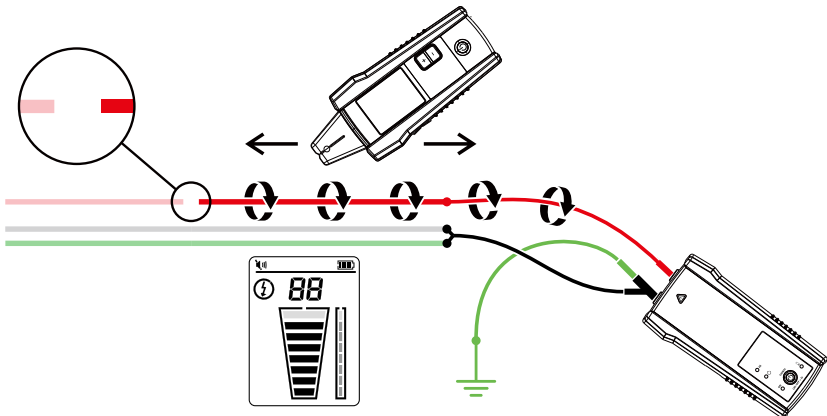


Figura 4.2: Cómo localizar un corte o apertura

4. APLICACIONES ESPECIALES

La señal de rastreo generada por el transmisor se conduce por el cable siempre que haya continuidad en el conductor metálico. Para encontrar una falla, rastree el cable hasta que se detenga la señal. Para verificar la ubicación de la falla, mueva el transmisor al otro extremo del cable y repita el rastreo del extremo opuesto. Si la señal se detiene en la misma ubicación exacta, ha localizado la falla.

Nota: Si no se encuentra el lugar de la falla, el resultado podría ser una ruptura de alta resistencia (circuito parcialmente abierto). Una ruptura de este tipo podría impedir que fluyan las corrientes más altas pero conducirá la señal del rastreo por la ruptura. Dichas fallas no se detectarán hasta que el cable esté completamente abierto.

4.3 Búsqueda de cortocircuitos

Los cables con cortocircuitos harán que se desconecten los interruptores. Para corregir esto, desconecte los cables y asegúrese de que los extremos de los cables a ambos lados estén aislados entre sí y de otros cables o cargas.

1. Conecte el transmisor con los terminales de prueba al circuito, tal como se muestra en la Figura 4.3.
2. Active el transmisor en el modo Loop (Bucle) presionando brevemente el botón de ON/OFF. Verifique que el LED de bucle esté encendido.
3. Encienda el receptor. El modo de rastreo se activa automáticamente.

Comience el rastreo del cable hasta que se detenga la señal. Para comprobar el lugar o la falla, mueva el transmisor al otro extremo del cable y repita el rastreo del extremo opuesto. Si la señal se detiene en la misma ubicación exacta, ha localizado la falla.

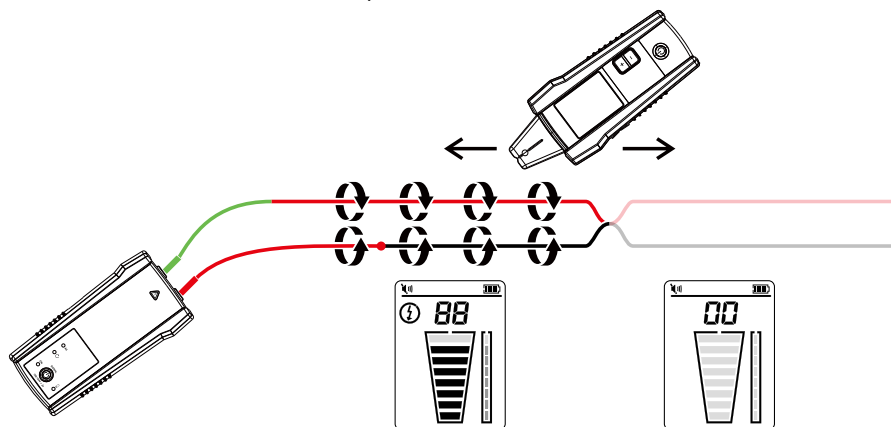


Figura 4.3: Rastreo de un cable para buscar cortocircuitos

Nota: Este método se verá afectado por el efecto de cancelación de señal. Espere una señal relativamente débil.

4.4 Rastreo de cables en conducto metálico

El receptor no podrá recoger la señal de un cable a través de un conducto metálico. El conducto metálico protegerá completamente la señal de rastreo.

Nota: El receptor podrá detectar cables en conducto no metálico. Para estas aplicaciones, siga las pautas de rastreo generales.

Para rastrear los cables en un conducto de metal:

1. Encienda el receptor. El modo de rastreo se activa automáticamente.
2. Abra las cajas de empalmes y use el sensor de punta del receptor para detectar qué cable de la caja de empalmes está transportando la señal.
3. Muévase entre las cajas de empalmes para seguir la trayectoria del cable.

Nota: Si se aplica una señal directamente al conducto, se enviará señal a través de todas las ramas del conducto, lo que impedirá el rastreo de una trayectoria del conducto en particular.

4. APLICACIONES ESPECIALES

4.5 Rastreo de tuberías y conductos no metálicos

El transmisor puede rastrear indirectamente tuberías y conductos plásticos a través de los siguientes pasos:

1. Inserte alambre guía o cable dentro del conducto.
2. Conecte el transmisor con el terminal de prueba rojo al alambre guía y el cable a tierra verde a una conexión a tierra independiente (consulte la sección 3.1 para obtener más instrucciones de configuración).
3. Encienda el receptor y realice el rastreo del conducto. El modo de rastreo se activa automáticamente.
4. El receptor recogerá la señal conducida por el alambre guía o el cable a través del conducto.

4.6 Rastreo de cables blindados

El cable blindado evita que el receptor detecte una señal de rastreo al seguir las instrucciones de usuario estándares. Para realizar un rastreo efectivo del cable blindado, siga estos procedimientos.

Si el cable blindado está conectado a tierra en el extremo lejano:

1. Active el transmisor en el modo Loop (Bucle) presionando brevemente el botón de ON/OFF. Verifique que el LED de bucle esté encendido.
2. Desconecte la conexión a tierra en el extremo cercano del cable blindado y conecte la protección a uno de los terminales del transmisor (la polaridad no tiene importancia) con un terminal de prueba.
3. Conecte la segunda salida del transmisor a una conexión a tierra independiente.
4. Encienda el receptor y realice el rastreo de la protección. El modo de rastreo se activa automáticamente.

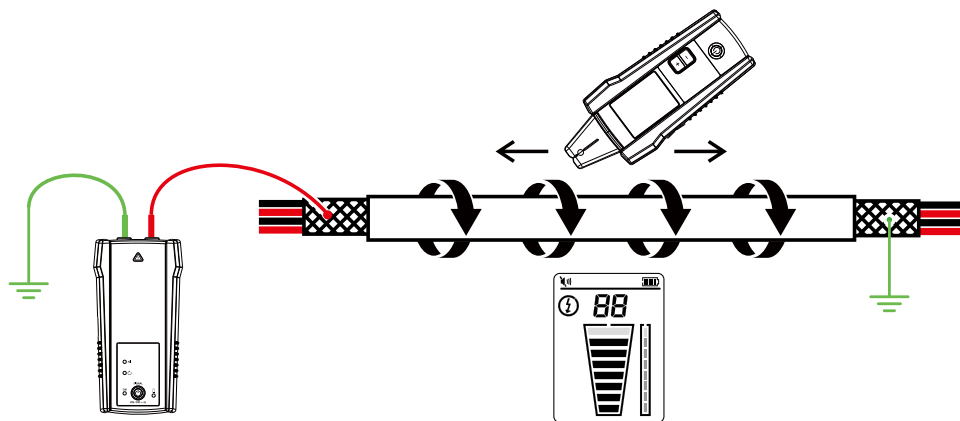


Figura 4.6a: Rastreo de un cable blindado conectado a tierra en el extremo lejano

Si el cable blindado está desconectado de la conexión a tierra en el extremo lejano:

1. Conecte el transmisor directamente al cable como se describe en la sección 3.1.
2. Desconecte la conexión a tierra en el extremo cercano del cable blindado y conecte la protección a uno de los terminales del transmisor (la polaridad no tiene importancia) con un terminal de prueba.
3. Conecte la segunda salida del transmisor a una conexión a tierra independiente.
4. Encienda el receptor y realice el rastreo de la protección. El modo de rastreo se activa automáticamente.

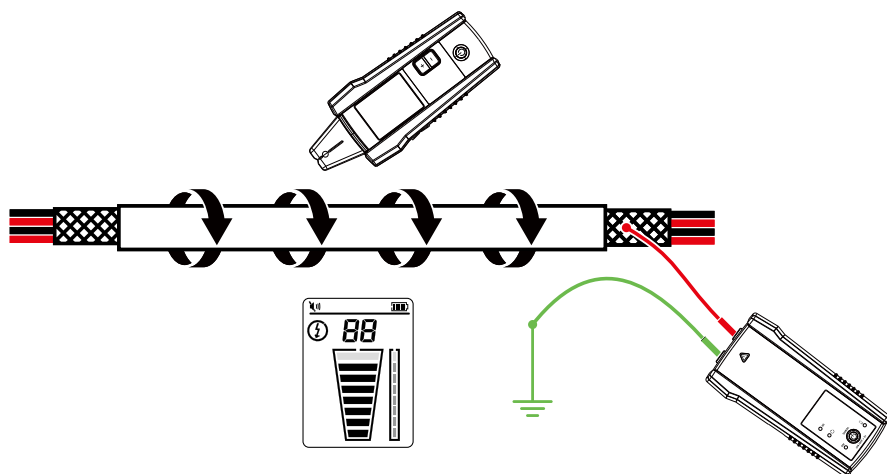


Figura 4.6b: Rastreo de un cable blindado desconectado de la tierra en el extremo lejano

4.7 Rastreo de cables subterráneos

El AT-6010 puede rastrear cables energizados y desenergizados subterráneos, al igual que puede ubicar cables detrás de paredes o pisos. Siga las instrucciones generales de rastreo de cables de la sección 3.

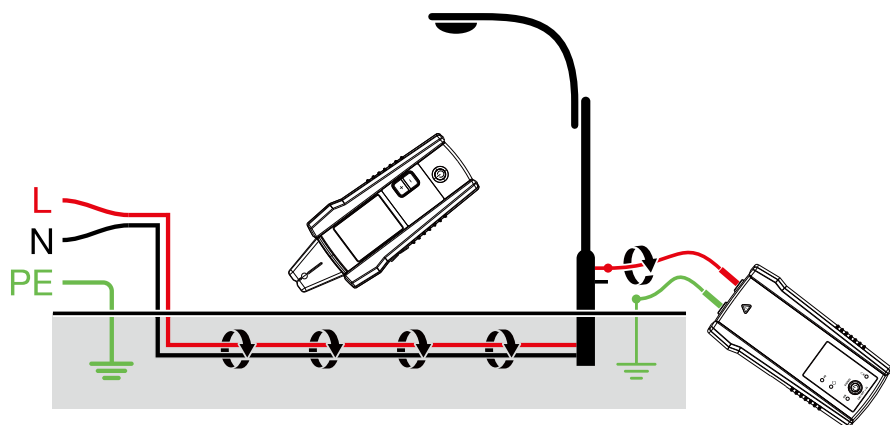


Figura 4.7: Rastreo de cables subterráneos

4.8 Rastreo de cables de baja tensión y cables de datos

El AT-6010 puede rastrear cables de datos, audio y termostato (para rastrear cables de datos blindados, consulte la sección 4.6).

Rastreo de cables de datos, audio y termostato

1. Conecte el transmisor con el método de conexión a tierra independiente que se describe en la sección 3.1.
2. Encienda el receptor y realice el rastreo del cable. El modo de rastreo se activa automáticamente.

4. APLICACIONES ESPECIALES

4.9 Cómo ordenar cables agrupados

Identificación de un cable específico en un grupo

1. Conecte el transmisor como se describe en la sección 3.1. Si lo conecta a un cable energizado, asegúrese de que el transmisor esté conectado del lado de carga.
2. Encienda el receptor. El modo de rastreo se activa automáticamente.
3. De a uno a la vez, separe cada cable entre sí y tóquelo con el sensor de punta. La señal más intensa indica el cable adecuado en el grupo.
4. Ajuste la sensibilidad del receptor, tal como sea necesario, con los botones +/-.

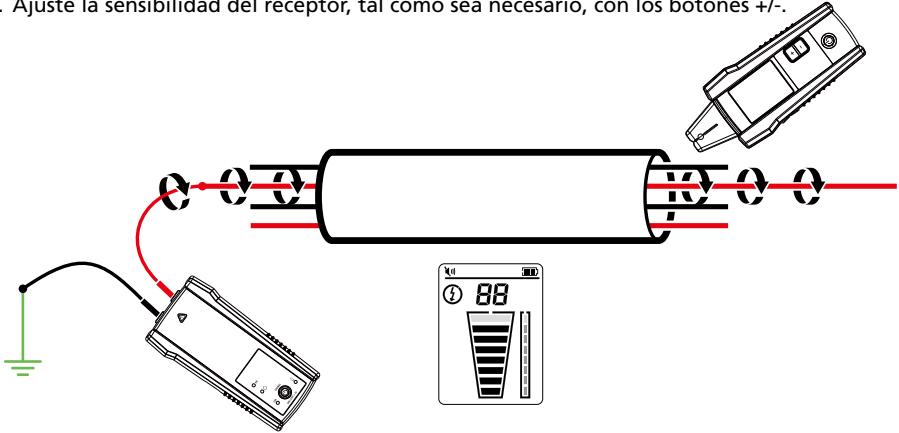


Figura 4.9: Identificación de un cable específico en un grupo

4.10 Mapeo de circuitos utilizando la conexión de los terminales de prueba

El mapeo de un circuito solo puede realizarse en el circuito desenergizado cuando se utiliza la conexión de los terminales de prueba.

1. Coloque el disyuntor en la posición de apagado.
2. Configure el transmisor y el receptor tal como se describe en la sección 3.1.
3. Realice una lectura de las placas frontales del receptáculo y los cables que conectan cargas con el sensor de punta del receptor.
4. Todos los cables, receptáculos y cargas que tengan señal intensa como se indica en el receptor se conectan al interruptor.

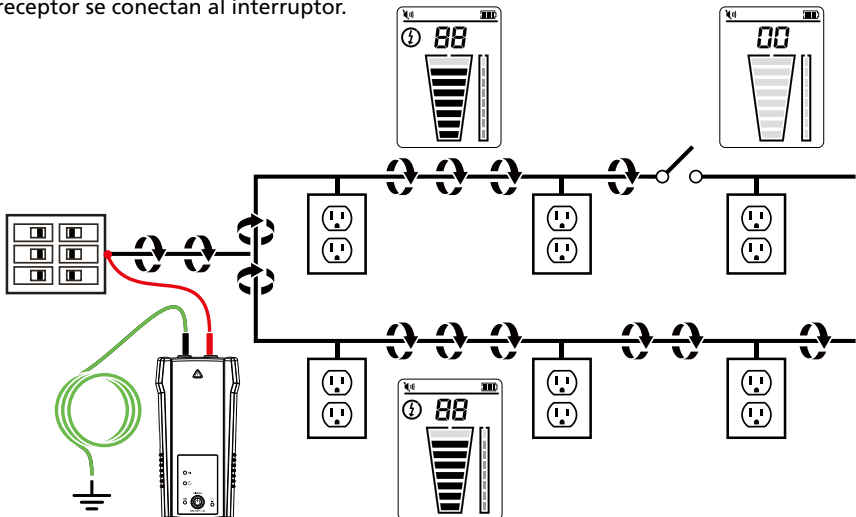


Figura 4.10: Mapeo de circuitos utilizando la conexión de los terminales de prueba

4. APLICACIONES ESPECIALES

4.11 Rastreo de interruptores en sistemas con atenuadores de luz

Los atenuadores de luz puede generar una cantidad significativa de "ruido" eléctrico que está compuesto por señal de varias frecuencias. En algunas situaciones, el receptor puede leer incorrectamente este ruido, generalmente denominado señal "fantasma", como una señal generada por el transmisor. Por lo tanto, el receptor podría indicar lecturas incorrectas.

Al encontrar disyuntores o fusibles en sistemas con atenuadores de luz, asegúrese de que el atenuador esté apagado (el interruptor de la luz esté apagado). Esto evitará que el receptor indique un disyuntor/fusible incorrecto.

4.12 Pinza de señal (accesorio opcional): circuitos de bucle cerrado

Circuitos de bucle cerrado, desenergizados y baja impedancia

El accesorio de pinza se usa para aplicaciones donde no hay acceso a un conductor expuesto para conectar terminales de prueba del transmisor. Cuando la pinza se conecta al transmisor, permite que el transmisor induzca señal al cable energizado o desenergizado a través del aislamiento.

Las aplicaciones típicas de la pinza de señal incluyen el rastreo de conductos o protecciones conectadas a tierra en ambos extremos. Para los cables de señal y cables o cargas desenergizados, conecte a tierra temporalmente el circuito en ambos extremos para realizar el rastreo.

Conexión de la pinza de señal

1. Conecte los terminales de prueba CT-400 a los terminales del transmisor (no es necesario tener en cuenta la polaridad).
2. Conecte la pinza de señal CT-400 alrededor del conductor. Para aumentar la intensidad de señal, enrolle algunas vueltas del cable conductor alrededor de la pinza si es posible.

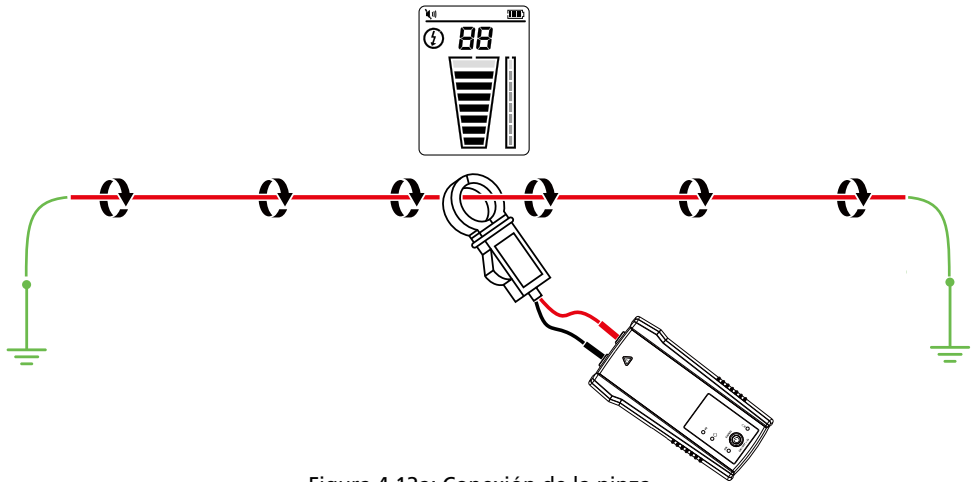


Figura 4.12a: Conexión de la pinza

Configuración del transmisor AT-6010-T

1. Presione el botón de ON/OFF para encender el transmisor. El indicador de estado de tensión LED rojo debe estar apagado (OFF) cuando la pinza está conectada y cuando está funcionando en sistemas energizados o desenergizados.
2. Presione brevemente el botón de ON/OFF para seleccionar el modo Loop (Bucle) en el transmisor (el LED rojo de Loop (Bucle) estará encendido). El modo de pinza genera una señal de 6 kHz amplificada para proporcionar resultados de rastreo superiores. El LED del transmisor debe aparecer como se muestra en la Figura 4.12b.

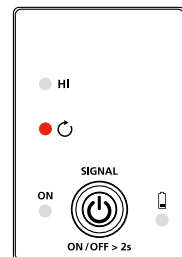


Figura 4.12b: Indicador del transmisor que muestra la señal en el modo Loop (Bucle)

4. APLICACIONES ESPECIALES

Uso del receptor AT-6010-R

1. Encienda el receptor. El modo de rastreo se activa automáticamente.
2. Sostenga el receptor con el sensor de punta con orientación hacia el área de destino.
3. Realice una lectura del área de destino con el sensor de punta para buscar el nivel de señal más alto. Al realizar un rastreo ajuste periódicamente la sensibilidad para mantener la intensidad de señal cerca de 50. Aumente o reduzca la sensibilidad presionando + o - en el teclado.
4. Posicionamiento del receptor: Para obtener los mejores resultados al rastrear cables energizados, alinee la marca de la punta del sensor de punta con la dirección del cable, tal como se muestra. Si no se alinea correctamente, es posible que se pierda la señal.
5. Para comprobar la dirección del cable, gire periódicamente el receptor 90 grados. La intensidad de señal será más alta cuando esté alineado con la marca del sensor de punta.

4.13 Pinza de señal (accesorio opcional): mapeo de circuitos

El accesorio de pinza se puede utilizar para asignar cargas a disyuntores específicos en circuitos energizados y desenergizados. No hay necesidad de desconectar la alimentación.

1. Conecte los terminales de prueba CT-400 a los terminales del transmisor (no es necesario tener en cuenta la polaridad) y seleccione el modo HIGH (ALTO).
2. Conecte la pinza CT-400 alrededor del cable vivo (línea) en el panel del interruptor.
3. Establezca la sensibilidad del receptor en el nivel máximo presionando el botón +.

Realice una lectura de las placas frontales de los receptáculos y los cables tocándolos con el sensor de punta del receptor. Todos los cables, receptáculos y cargas que el receptor indica en el modo de lectura rápida están conectados al disyuntor.

Nota: Espere una señal relativamente débil. Para obtener el mejor rendimiento, coloque pilas nuevas en el transmisor. Utilice el método "Mapeo de circuitos utilizando la conexión de los terminales de prueba" si se requiere una señal mucho más fuerte.

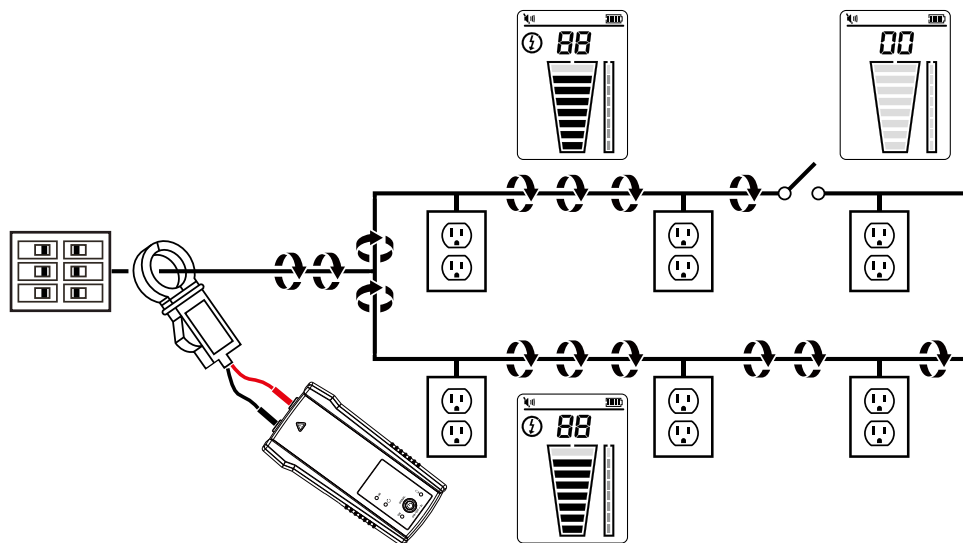


Figura 4.13: Uso de la pinza de señal para asignar cargas a disyuntores específicos

5. MANTENIMIENTO

5.1 Reemplazo de las pilas

Cambio de las pilas del transmisor

El compartimiento de pilas de la parte posterior del transmisor está diseñado para que el usuario pueda cambiar las pilas fácilmente. Se agrega un tornillo para asegurar las pilas en caso de que la unidad se caiga.

Se deberán utilizar ocho (8) pilas alcalinas "AA".

Nota: Las pilas no vienen colocadas en el transmisor.

1. Asegúrese de que el transmisor esté apagado y desconectado del circuito.
2. Use el destornillador de estrella para desatornillar los tornillos del compartimiento de las pilas.
3. Extraiga la tapa de las pilas.
4. Coloque las pilas.
5. Vuelva a colocar la tapa de las pilas y asegúrela con los tornillos.

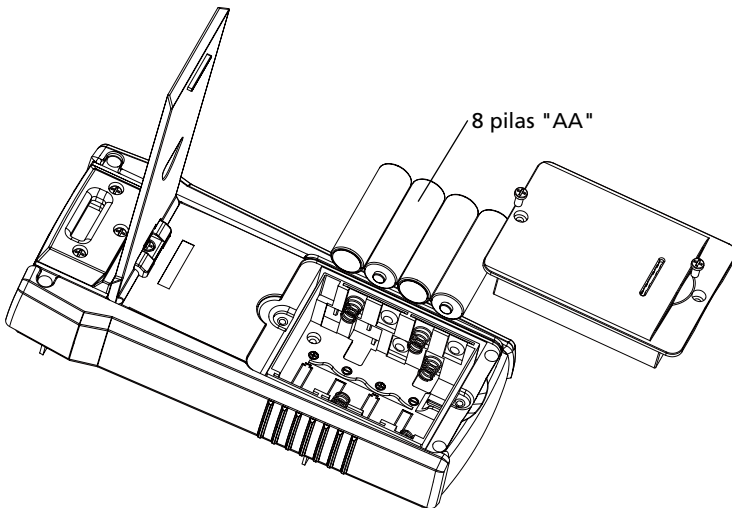


Figura 5.1a: Cambio de las pilas del transmisor

5. MANTENIMIENTO

5.2 Reemplazo del fusible

Reemplazo del fusible del transmisor:

⚠ ⚠ Advertencia: Para evitar descargas eléctricas, lesiones o daños al transmisor, desconecte los terminales de prueba antes de abrir la cubierta.

1. Desconecte todos los terminales de prueba del transmisor.
2. Asegúrese de que el transmisor esté apagado.
3. Use un destornillador de estrella para desatornillar los tornillos de la base inclinable.
4. Extraiga la tapa de las pilas y extraiga todas las pilas.
5. Use un destornillador de estrella para desatornillar los tornillos de sujeción.
6. Extraiga la tapa posterior tirando hacia arriba.
7. Extraiga el fusible del soporte.
8. Inserte el fusible nuevo (1,6 A, 700 V máx., acción rápida, Ø 6 x 32 mm) en el portafusible.
9. Inserte la tapa posterior, asegúrela con los tornillos de sujeción y apriételos con un destornillador de estrella.

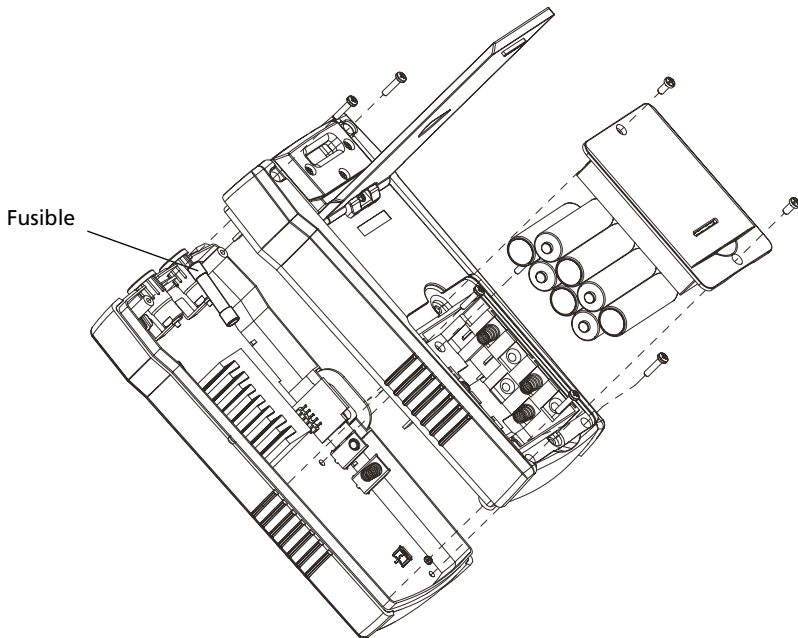





Figura 5.2: Reemplazo del fusible del transmisor

6. ESPECIFICACIONES

Características	AT-6010-R	AT-6010-T	CT-400
Categoría de medición	CAT III 600 V	CAT III 600 V	CAT IV 600 V, CAT III 1000 V
Tensión de funcionamiento	0 a 600 V de CA/CC	0 a 600 V de CA/CC	0 a 1000 V de CA
Frecuencia de funcionamiento	Energizado: 6,25 kHz Desenergizado: 32,768 kHz	Energizado: 6,25 kHz Desenergizado: 32,768 kHz	Rastreo de cables: 32,768 kHz Medición de corriente de CA: De 45 Hz a 400 Hz
Detección de tensión peligrosa	N/D	> 30 V de CA/CC	N/D
Indicaciones de señal	Gráfico de barras numérico y tono sonoro	Cantidad de LED	N/D
Tiempo de respuesta	Sensor de punta (energizado/desenergizado): 500 ms Control de tensión de las pilas: 5 seg.	Control de tensión de la línea: 1 seg. Control de tensión de las pilas: 5 seg.	Instantáneo
Salida de corriente de señal (típica)	N/D	Circuito energizado: Modo HI (ALTO): 60 mA RMS Circuito desenergizado: Modo HI (ALTO): 130 mA RMS Modo Loop (Bucle): 160 mA RMS	1 mA/A para la medición de corriente de CA con la pinza amperimétrica
Salida de tensión de señal (nominal)	N/D	Circuito desenergizado: HIGH (ALTO): 33 V RMS, 140 Vp-p Con el CT-400: Modo Loop (Bucle): 31 V RMS, 120 Vp-p	Circuito desenergizado: 2,4 V RMS, 24 Vp-p
Detección de rango (exterior)	Sensor de punta (energizado): Distancia máx. por aire: hasta 20 pies (6,1 metros) Ubicación con precisión: aprox. 1,97" (5 cm) Sensor de punta (desenergizado): Distancia máx. por aire: hasta 14,7 pies (4,5 metros) Ubicación con precisión: aprox. 1,97" (5 cm)	N/D	N/D



6. ESPECIFICACIONES

Especificaciones generales

Características	AT-6010-R	AT-6010-T	CT-400
Tamaño de pantalla	LCD de 2,5" (6,35 cm)	Cantidad de LED	N/D
Dimensiones de la pantalla (ancho x alto)	1,45" x 1,93" (36,72 x 48,96 mm)	N/D	N/D
Tipo de pantalla	LCD de segmentos	Cantidad de LED	N/D
Representación de color	Blanco y negro	LED de modo de funcionamiento: rojo LED de estado de la batería: rojo	N/D
Tiempo de arranque	< 3 seg.	< 2 seg.	N/D
Retroiluminación	Sí	N/D	N/D
Temperatura de funcionamiento	De -4 °F a 122 °F (de -20 °C a 50 °C)	De -4 °F a 122 °F (de -20 °C a 50 °C)	De 32 °F a 122 °F (de 0 °C a 50 °C)
Humedad de funcionamiento	45 %:de -4 °F a < 50 °F (de -20 °C a < 10 °C) 95 %:de 50 °F a < 86 °F (de 10 °C a < 30 °C) 75 %:de 86 °F a < 104 °F (de 30 °C a < 40 °C) 45 %:de 104 °F a < 122 °F (de 40 °C a 50 °C)	45 %:de -4 °F a < 50 °F (de -20 °C a < 10 °C) 95 %:de 50 °F a < 86 °F (de 10 °C a < 30 °C) 75 %:de 86 °F a < 104 °F (de 30 °C a < 40 °C) 45 %:de 104 °F a < 122 °F (de 40 °C a 50 °C)	95 %:de 50 °F a < 86 °F (de 10 °C a < 30 °C) 75 %:de 86 °F a < 104 °F (de 30 °C a < 40 °C) 45 %:de 104 °F a < 122 °F (de 40 °C a < 50 °C)
Temperatura y humedad de almacenamiento	De -4 °F a 158 °F (de -20 °C a 70 °C), < 95 % (humedad relativa)	De -4 °F a 158 °F (de -20 °C a 70 °C), < 95 % (humedad relativa)	De -4 °F a 140 °F (de -20 °C a 60 °C), < 95 % (humedad relativa)
Altitud de funcionamiento	De 0 a 6561 pies (2000 m)	De 0 a 6561 pies (2000 m)	De 0 a 6561 pies (2000 m)
Protección de transientes	N/D	6,00 kV (sobretensión de 1,2/50 µs)	N/D
Grado de contaminación	2	2	2
Clasificación de IP	IP 52	IP 40	IP 40
Prueba de caída	3,28 pies (1 m)	3,28 pies (1 m)	3,28 pies (1 m)
Fuente de alimentación	4 pilas "AA" (alcalinas)	8 pilas "AA" (alcalinas)	N/D
Consumo de energía (típica)	70 mA	Modo HI (ALTO): 70 mA Modo de bucle con pinza: 90 mA Consumo sin transmisión de señal: 10 mA	N/D
Duración de las pilas (típica)	Aprox. 25 horas	Modo HI (ALTO):aprox. 25 horas Modo Loop (Bucle):aprox. 18 horas	N/D
Indicación de pilas por agotarse	Sí	Sí	N/D
Fusible	N/D	1,6 A, 700 V, acción rápida, Ø 6 x 32 mm	N/D
Máximo tamaño de conductor	N/D	N/D	1,26 pulg. (32 mm)
Dimensiones (largo x ancho x alto)	Aprox. 7,2 x 2,95 x 1,69 pulgadas (183 x 75 x 43 mm)	Aprox. 7,2 x 3,66 x 1,97 pulgadas (183 x 93 x 50 mm)	Aprox. 5,9 x 2,75 x 1,18 pulgadas (150 x 70 x 30 mm)
Peso (con las pilas colocadas)	Aprox. 0,6 libras (0,27 kg)	Aprox. 1,25 libras (0,57 kg)	Aprox. 0,25 libras (0,114 kg)
Certificaciones			

6. ESPECIFICACIONES

Especificaciones de los accesorios

Características	TL-6000-INTL
Categoría de medición	CAT III (terminales de prueba) CAT IV (pinzas de cocodrilo) CAT II (Adaptadores de tomacorrientes)
Tensión y corriente de funcionamiento	1000 V, 16 A máx. (terminales rojo/verde) 600 V, 16 A máx. (terminal negro) 600 V, 10 A máx. (pinzas de cocodrilo) 300 V, 10 A máx. (Adaptadores de tomacorrientes)
Temperatura de funcionamiento	De 32 °F a 122 °F (de 0 °C a 50 °C)
Humedad de funcionamiento	95%: De 50 °F a < 86 °F (de 10 °C a < 30 °C) 75%: De 86 °F a < 104 °F (de 30 °C a < 40 °C) 45%: De 104 °F a < 122 °F (de 40 °C a < 50 °C)
Temperatura y humedad de almacenamiento	De -4 °F a 140 °F (de -20 °C a 60 °C), < 95 % (humedad relativa)
Altitud de funcionamiento	De 0 a 6561 pies (2000 m)
Grado de contaminación	2
Clasificación de IP	IP 20
Prueba de caída	3,28 pies (1 m)
Dimensiones	Terminales rojo/negro: 3,28 pies (1 m) Terminal verde: 22,97 pies (7 metros) Pinzas de cocodrilo: aprox. 3,74 x 1,77 x 0,94 pulgadas (95 x 45 x 24 mm) Adaptadores de tomacorrientes: 2,83 x 0,71 x 0,71 pulgadas (72 x 18 x 18 mm)
Peso	Aprox. 0,78 libras (0,356 kg)
Certificaciones	 

Visit amprobe.com for

- **Catalog**
- **Application notes**
- **Product specifications**
- **User manuals**

Amprobe®

amprobe.com

Division of Fluke Corp.

6920 Seaway Blvd.

M/S 143F

Everett, WA 98203 USA

Tel: 877-AMPROBE (267-7623)

Beha-Amprobe®

beha-amprobe.com

c/o Fluke Europe BV

Science Park

Eindhoven 5110

NL-5692 EC Son

Tel.: +49 (0) 7684 8009 - 0



Please
Recycle