

NOTES:

1. MATERIALS AND FINISHES:

CAP FORMING TOOL - TOOL STEEL  
 PLUNGER - DELRIN, COLOR: BLACK  
 CONE TOOL - TOOL STEEL

2. FOR USE WITH 3FAIENXRJ-C01E3 (REF. 349-50883)

3. PACKAGING:

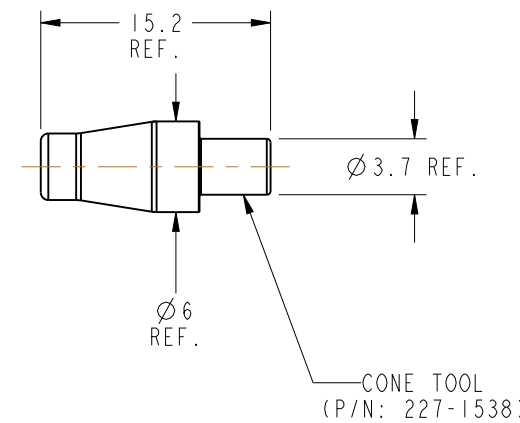
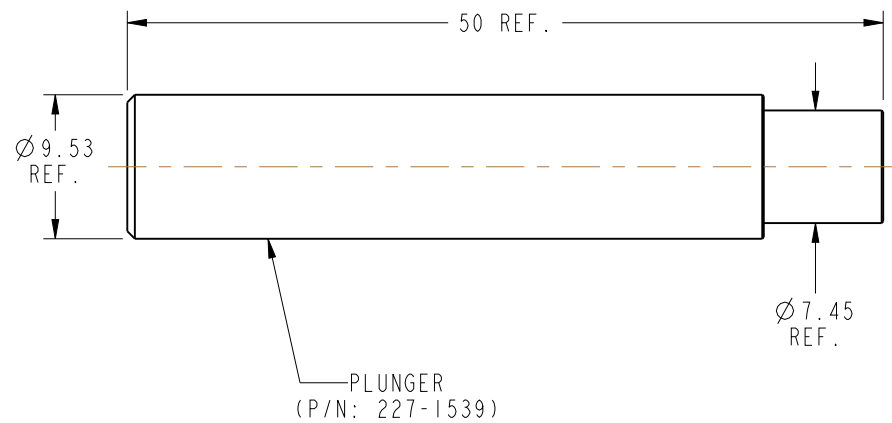
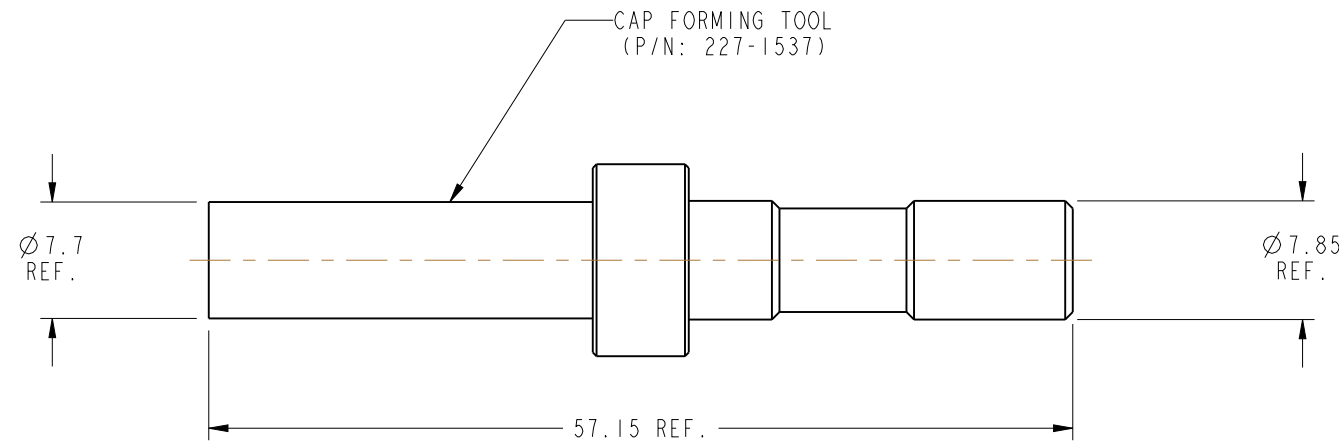
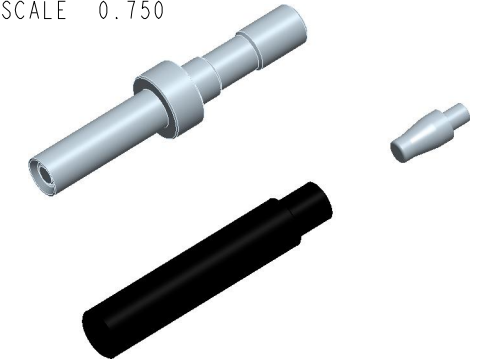
A. QUANTITY: SINGLE PACK  
 B. BAG TO BE MARKED: AMPHENOL RF  
 227-1540  
 DATE CODE

THIRD ANGLE PROJ.

REVISIONS

| REV | DESCRIPTION     | DATE     | ECO   | APPR |
|-----|-----------------|----------|-------|------|
| A   | RELEASE TO MFG. | 10/30/15 | 50463 | BCG  |

SCALE 0.750



**CUSTOMER OUTLINE DRAWING**

ALL OTHER SHEETS ARE FOR INTERNAL USE ONLY

UNLESS OTHERWISE SPECIFIED, DIMENSIONS ARE IN METRIC AND TOLERANCES ARE:  
 <0.5mm ±0.05mm    0.5 - 6mm ±0.1mm    6 - 30mm ±0.2mm    30 - 120mm ±0.3mm    ANGLES ±1°

NOTICE - These drawings, specifications, or other data (1) are, and remain the property of Amphenol corp. (2) must be returned upon request; and (3) are confidential and not to be disclosed to any person other than those to whom they are given by Amphenol Corp. the furnishing of these drawings, specifications, or other data by Amphenol Corp., or to any other person to anyone for any purpose is not to be regarded by implication or otherwise in any manner licensing, granting rights to permitting such holder or any other person to manufacture, use or sell any product, process or design, patented or otherwise, that may in any way be related to or disclosed by said drawings, specifications, or other data.

|                               |                            |                   |
|-------------------------------|----------------------------|-------------------|
| MATERIAL<br>(SEE NOTE 1)      | DRAWN<br>B.C. GLEISSNER    | DATE<br>31-Mar-15 |
| REFERENCE<br>EAR 6219 AND --- | ENGINEER<br>B.C. GLEISSNER | DATE<br>31-Mar-15 |
| CONFIGURATION LEVEL: ---      | APPROVED<br>K. CAPOZZI     | DATE<br>10/30/15  |
| FINISH                        | CAD FILE                   |                   |

|   |
|---|
| TITLE<br>INSTALLATION TOOL KIT<br>FOR SEALED FAKRA<br>R/A JACKS |
| SCALE: 2.0:1.0   SHEET 1 OF 1                                   |
| DWG SIZE<br>B   |
| REV<br>A  |

|                                   |  |
|-----------------------------------|--|
| Amphenol RF<br>www.amphenolrf.com |  |
| DRAWING NO. 227-1540              |  |
| ITEM NO. 227-1540                 |  |
| PART NO. 227-1540                 |  |