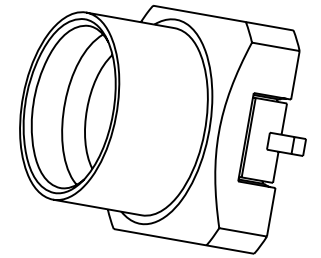


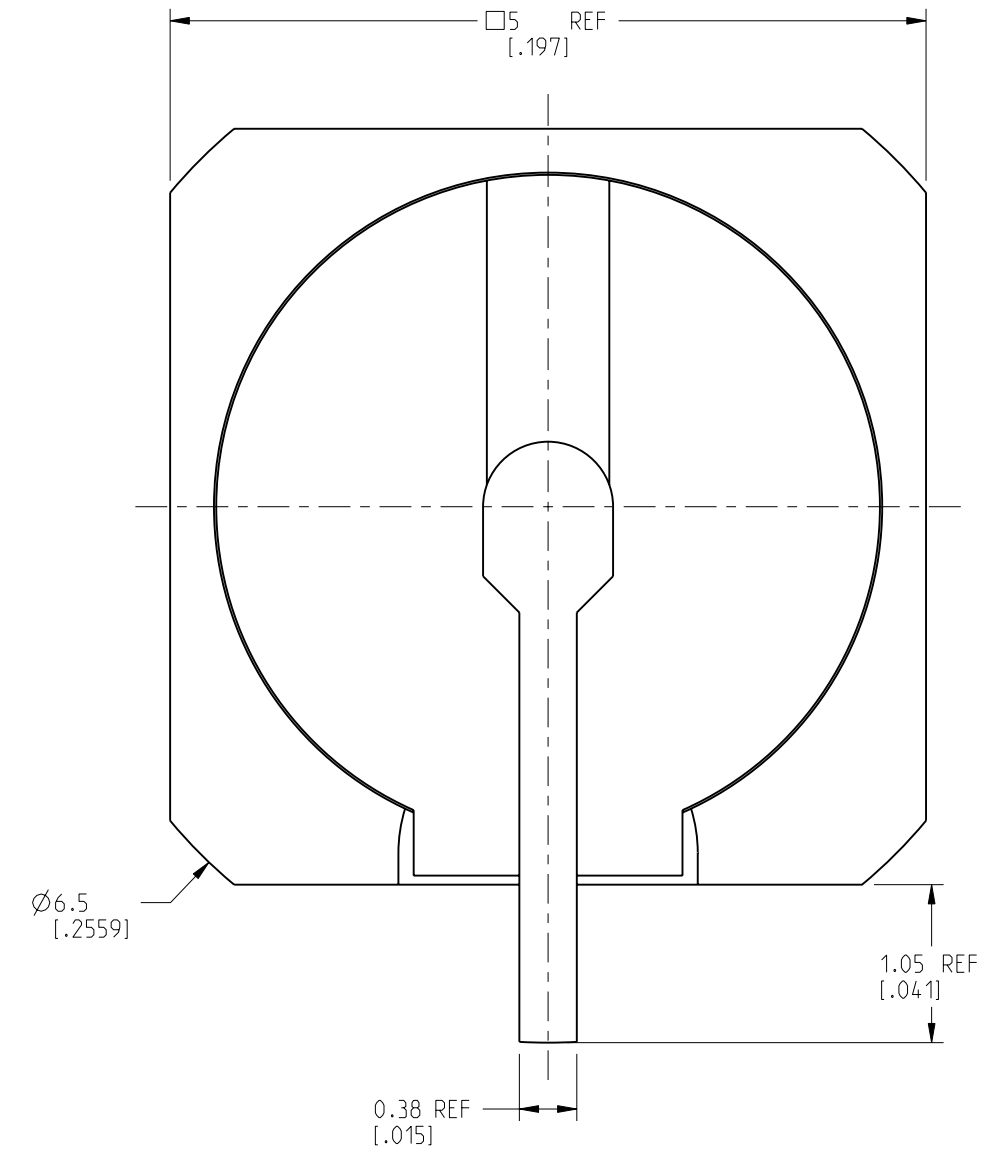
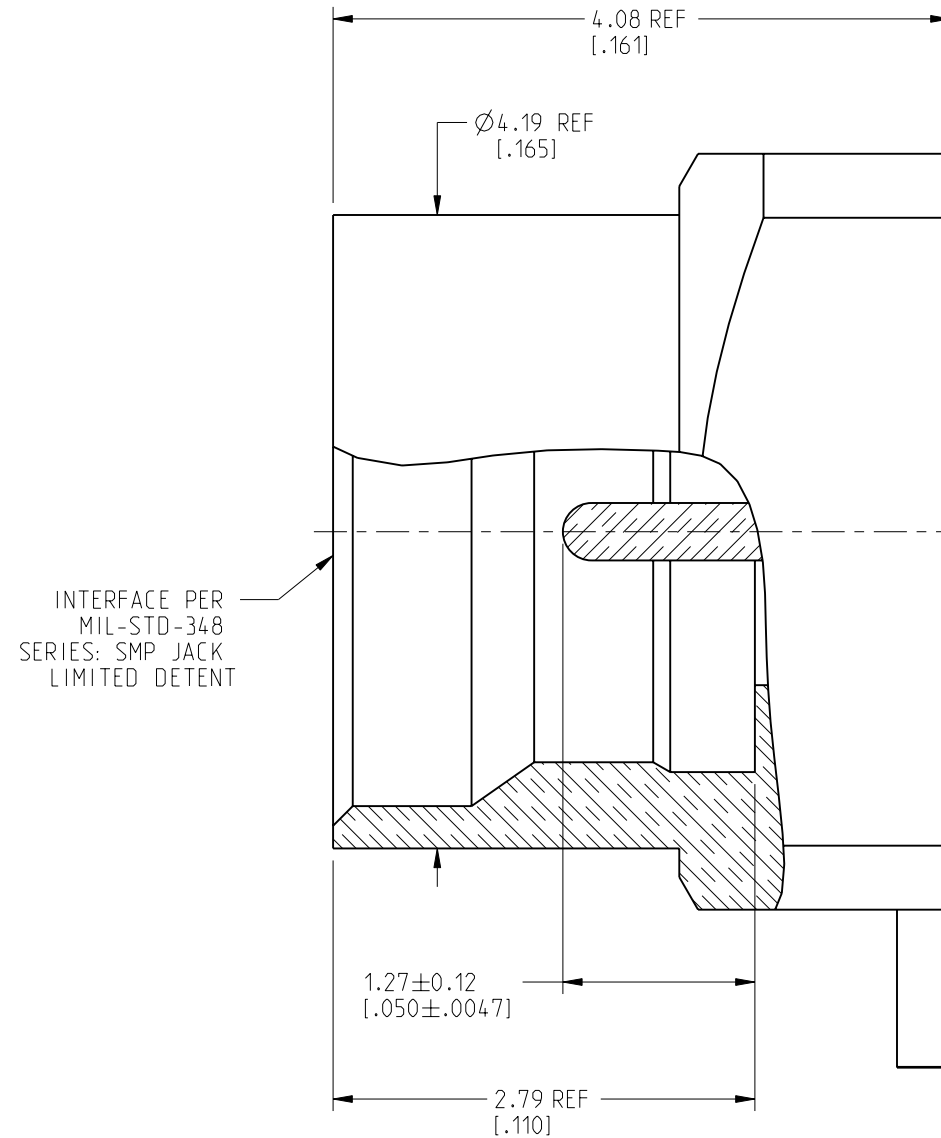
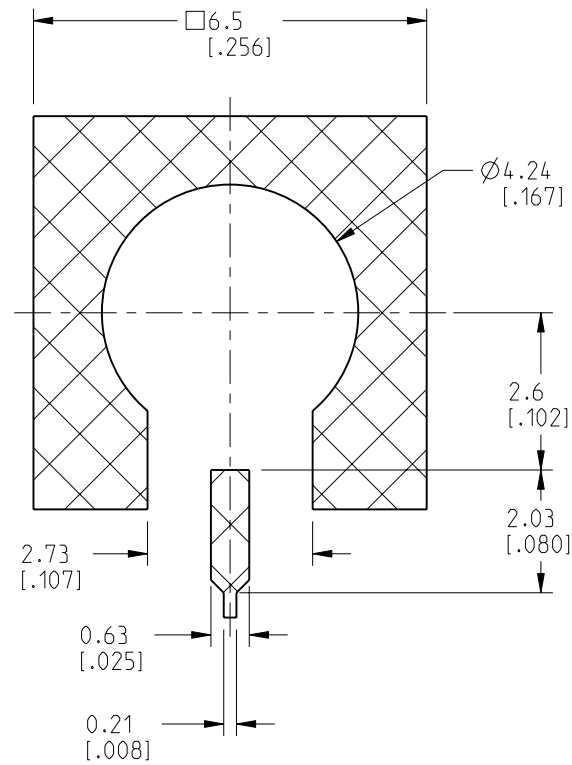
NOTES:

1. MATERIALS AND FINISHES:  
 BODY - BRASS, GOLD PLATING  
 CONTACT - BRASS, GOLD PLATING  
 INSULATOR - LCP E130i, NATURAL
2. ELECTRICAL:  
 A. IMPEDANCE: 50 OHM  
 B. FREQUENCY RANGE: DC-20 GHz  
 C. VSWR (RETURN LOSS): 1.10 (-26.4 dB MIN.) MAX. @ DC-8 GHz  
 1.22 (-20 dB MIN.) MAX. @ 8-20 GHz  
 D. DIELECTRIC WITHSTANDING VOLTAGE: 500 VRMS, MIN.
3. MECHANICAL:  
 A. DURABILITY: 500 CYCLES MIN.  
 B. TEMPERATURE RANGE: -40°C TO +85°C
4. PACKAGING:  
 A. QUANTITY: 50 PCS/TRAY  
 B. MARKING: PACKAGING TO BE MARKED  
 "AMPHENOL RF, SMP-MSLD-PCS-20, DATE CODE"

REVISIONS				
REV	DESCRIPTION	DATE	ECN	APPR
A	RELEASE TO MFG.	20-Apr-20	14923	S.HSIEH



SCALE 6.000



**CUSTOMER OUTLINE DRAWING**

ALL OTHER SHEETS ARE FOR INTERNAL USE ONLY

NOTICE: These drawings, specifications, or other data (1) are, and remain the property of Amphenol corp. (2) must be returned upon request; and (3) are confidential and not to be disclosed to any person other than those to whom they are given by Amphenol Corp. The furnishing of these drawings, specifications, or other data by Amphenol Corp., or to any other person to anyone for any purpose is not to be regarded by implication or otherwise in any manner licensing, granting rights to permitting such holder or any other person to manufacture, use or sell any product, process or design, patented or otherwise, that may in any way be related to or disclosed by said drawings, specifications, or other data.		UNLESS OTHERWISE SPECIFIED DIMENSIONS ARE METRIC (INCHES) AND TOLERANCES ARE: <0.5mm = ±0.05mm [ $<0.020 = \pm 0.002$ ] >0.5 - 6mm = ±0.1mm [ $>0.020 - 0.236 = \pm 0.004$ ] >6.00 - 30mm = ±0.2mm [ $>0.236 - 1.181 = \pm 0.008$ ] >30.00 - 120mm = ±0.3mm [ $>1.181 - 4.725 = \pm 0.012$ ] ANGLES = ±1°		MATERIAL NOTE 1		TITLE SMP JACK SURFACE MOUNT LIMITED DETENT		Amphenol RF	
THIRD ANGLE PROJ.		REFERENCE SMP-MSLD-PCS-17		ENGINEER WIKI		DATE 16-Apr-20		SHEET NO. 2 OF 2 SCALE: 20.0:1.0	
EAR# 9644		DRAWING NO. SMP-MSLD-PCS-20		ITEM NO. SMP-MSLD-PCS-20		PART NO. SMP-MSLD-PCS-20		REV A	