

NOTES:

1. MATERIALS AND FINISHES:

BODY - BRASS, GOLD PLATING, OVER HIGH PHOSPHOROUS NICKEL
 CONTACT - BRASS, GOLD PLATING, OVER HIGH PHOSPHOROUS NICKEL
 INSULATOR - PTFE

2. ELECTRICAL:

A. IMPEDANCE: 50 OHM
 B. FREQUENCY RANGE: DC - 12 GHz
 C. VSWR: 1.15 MAX
 D. DIELECTRIC WITHSTANDING VOLTAGE: 500 VRMS MIN

3. MECHANICAL:

A. TEMPERATURE RANGE: -65°C TO +165°C
 B. DURABILITY: 500 CYCLES MIN.

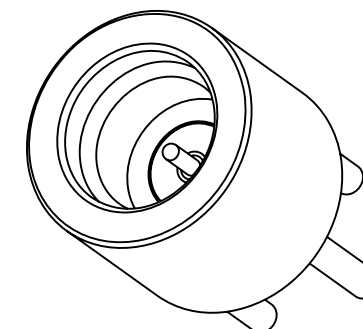
4. PACKAGING:

A. QUANTITY: SINGLE PACK
 B. MARKING: BAG TO BE MARKED
 "AMPHENOL RF, SMP-FS-SBPCT, AND DATE CODE"

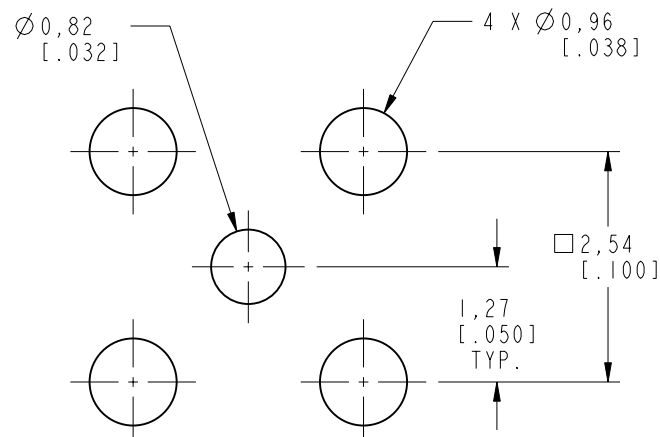
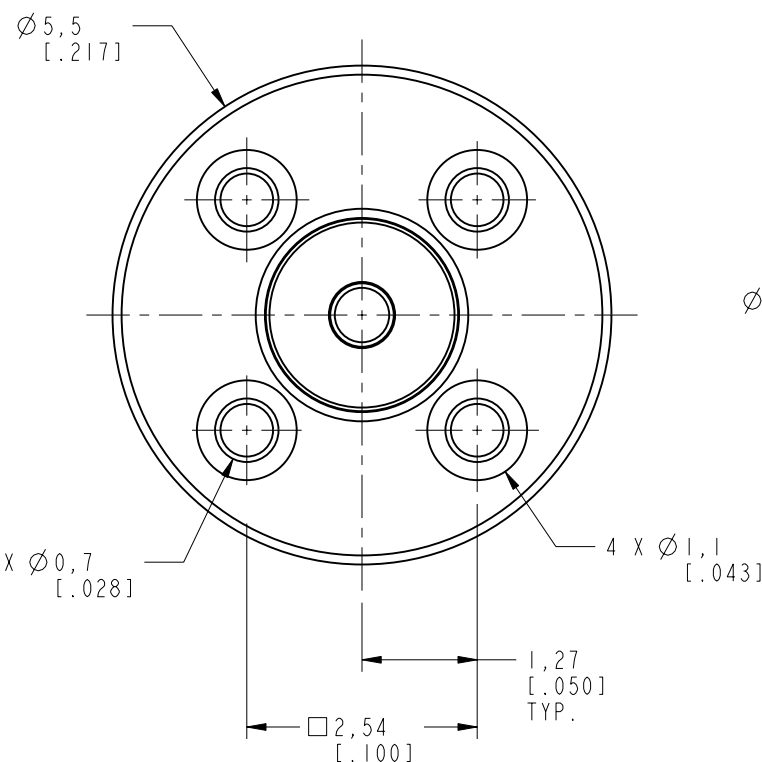
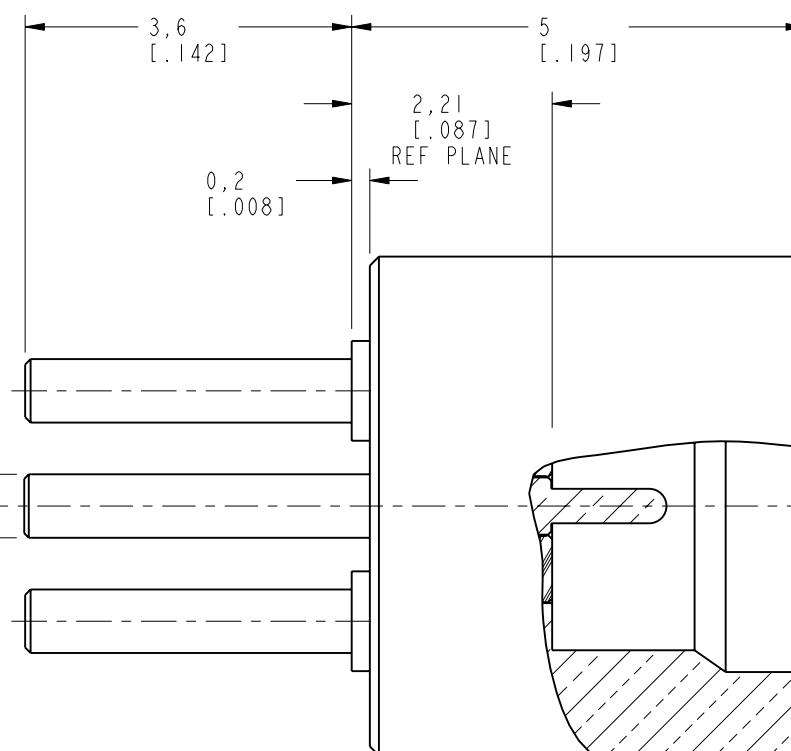
THIRD ANGLE PROJ.

REVISIONS

REV	DESCRIPTION	DATE	ECO	APPR
A	RELEASED TO MFG	13-Jan-17	47842	NMV



SCALE 6.000



SCALE 12.000
RECOMMENDED MOUNTING
HOLE DIMENSION

CUSTOMER OUTLINE DRAWING

ALL OTHER SHEETS ARE FOR INTERNAL USE ONLY

UNLESS OTHERWISE SPECIFIED, DIMENSIONS ARE IN METRIC AND TOLERANCES ARE: <0.5mm ±0.05mm 0.5 - 6mm ±0.1mm 6 - 30mm ±0.2mm 30 - 120mm ±0.3mm ANGLES ±1°	MATERIAL SEE NOTES	DRAWN M. ZHANG	DATE 13-Jan-17	TITLE ASSEMBLY SMP, JACK SMOOTH BORE	Amphenol RF www.amphenolrf.com
	NOTICE - These drawings, specifications, or other data (1) are, and remain the property of Amphenol corp. (2) must be returned upon request; and (3) are confidential and not to be disclosed to any person other than those to whom they are given by Amphenol Corp. the furnishing of these drawings, specifications, or other data by Amphenol Corp., or to any other person to anyone for any purpose is not to be regarded by implication or otherwise in any manner licensing, granting rights to permitting such holder or any other person to manufacture, use or sell any product, process or design, patented or otherwise, that may in any way be related to or disclosed by said drawings, specifications, or other data.	REFERENCE EAR # 2983 AND 615X-2333-200 CONFIGURATION LEVEL: In Work FINISH	ENGINEER NISCHIT MV		
		APPROVED S. HSIEH	DATE 18-Jan-17	SCALE: 12.0:1.0 SHEET 2 OF 2	ITEM NO. SMP-FS-SBPCT
		CAD FILE		DWG SIZE B REV A	PART NO. SMP-FS-SBPCT