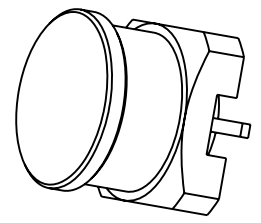


NOTES:

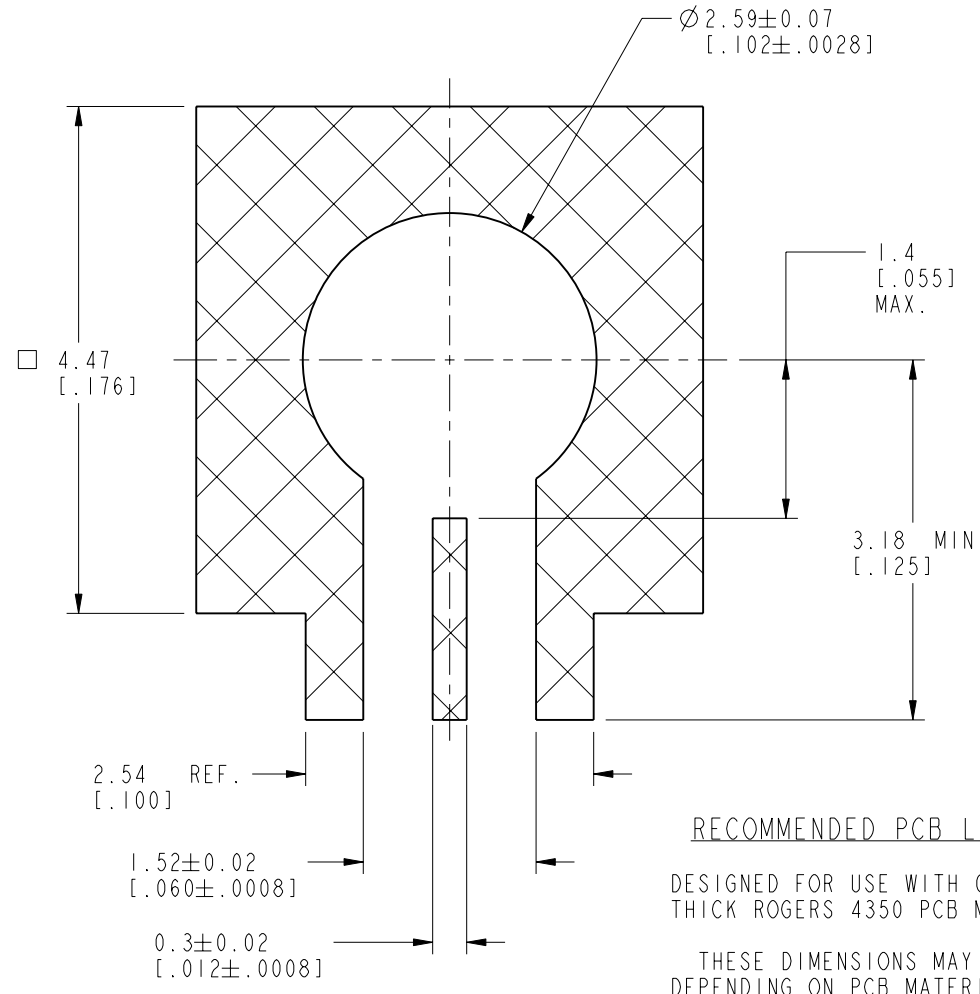
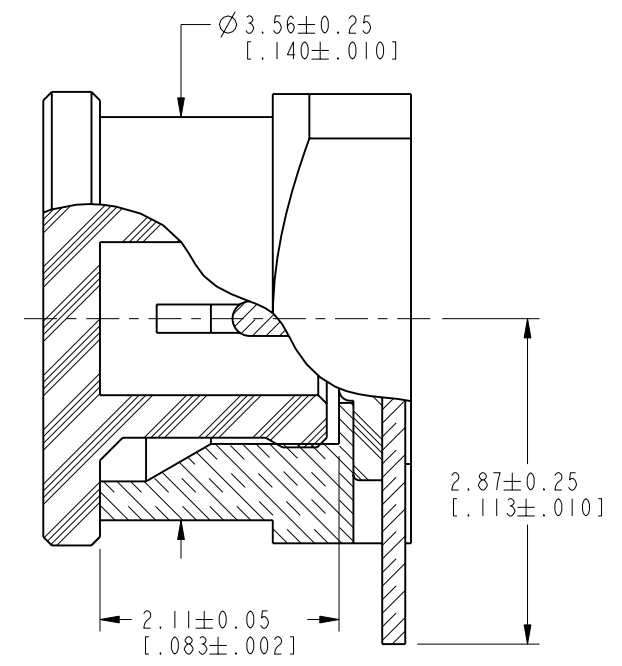
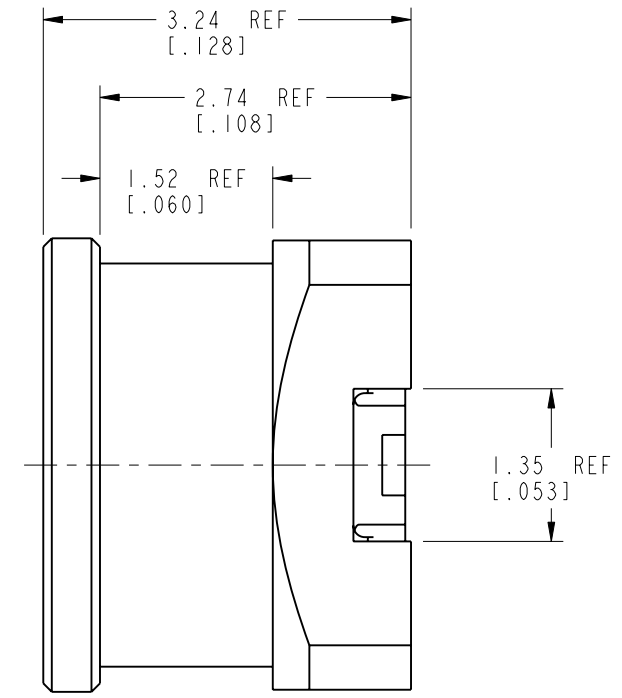
1. MATERIALS AND FINISHES:
 BODY - BRASS, GOLD PLATING
 CONTACT - BRASS, GOLD PLATING
 INSULATOR - LCP, NATURAL
2. ELECTRICAL:
 A. IMPEDANCE: 50 OHM
 B. FREQUENCY RANGE: DC - 26.5 GHz
 C. VSWR(RETURN LOSS): 1.15 MAX AT DC - 10 GHz
 1.25 MAX AT 10 - 26.5 GHz
 RESULTS WILL VARY BASED ON BOARD CONFIGURATION
3. MECHANICAL:
 A. DURABILITY: 500 CYCLES MIN.
 B. TEMPERATURE RANGE: -65° C TO +165° C
4. PACKAGING:
 A. QUANTITY: 50 PCS/TRAY
 B. MARKING: PACKAGING TO BE MARKED
 "AMPHENOL RF, 925-197J-51P, DATE CODE"

THIRD ANGLE PROJ.

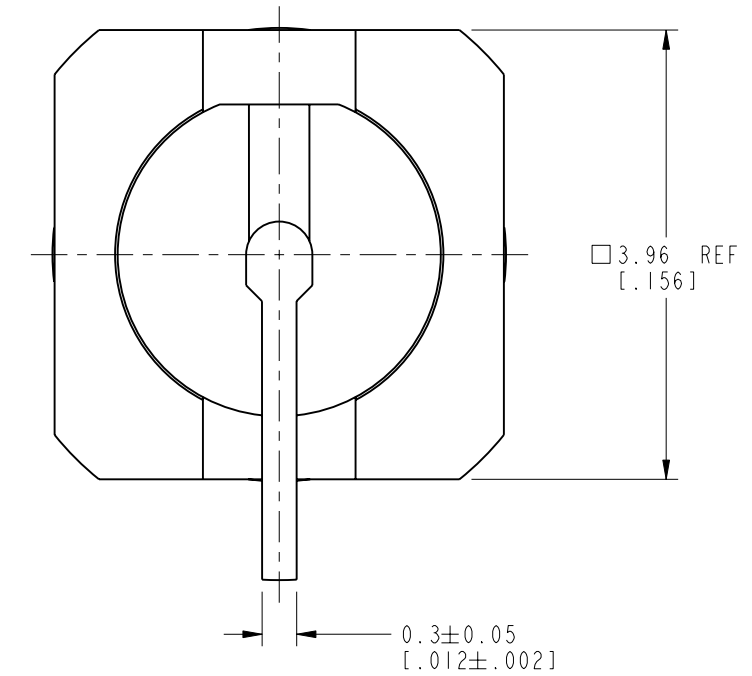
REVISIONS				
REV	DESCRIPTION	DATE	ECN	APPR
A	RELEASE TO MFG.	07-Nov-19	13561	EH



SCALE 6.000



RECOMMENDED PCB LAYOUT
 DESIGNED FOR USE WITH 0.0100"
 THICK ROGERS 4350 PCB MATERIAL
 THESE DIMENSIONS MAY VARY
 DEPENDING ON PCB MATERIAL USED



CUSTOMER OUTLINE DRAWING
 ALL OTHER SHEETS ARE FOR INTERNAL USE ONLY

UNLESS OTHERWISE SPECIFIED, DIMENSIONS ARE IN METRIC AND TOLERANCES ARE: <0.5mm ± 0.05mm 0.5 - 6mm ± 0.1mm 6 - 30mm ± 0.2mm 30 - 120mm ± 0.3mm ANGLES ±1°	MATERIAL NOTE 1	DRAWN WIKI	DATE 15-Nov-19	TITLE SMPM SURFACE MOUNT JACK, SMOOTH BORE		Amphenol RF www.amphenolrf.com	
	REFERENCE EAR# 8725	ENGINEER STAR	DATE 25-Nov-19	SCALE: 15.0:1.0 SHEET 2 OF 2		DRAWING NO. 925-197J-51P	
NOTICE - These drawings, specifications, or other data (1) are, and remain the property of Amphenol corp. (2) must be returned upon request; and (3) are confidential and not to be disclosed to any person other than those to whom they are given by Amphenol Corp. the furnishing of these drawings, specifications, or other data by Amphenol Corp., or to any other person to anyone for any purpose is not to be regarded by implication or otherwise in any manner licensing, granting rights to permitting such holder or any other person to manufacture, use or sell any product, process or design, patented or otherwise, that may in any way be related to or disclosed by said drawings, specifications, or other data.	REF:	APPROVED S.HSIEH	DATE 25-Nov-19	DWG SIZE B	REV A	ITEM NO. 925-197J-51P	
	CONFIGURATION LEVEL: In Work	FINISH	CAD FILE				PART NO. 925-197J-51P