

THIRD ANGLE PROJ.

REVISONS

REV	DESCRIPTION	DATE	ECO	APPR
A	RELEASE TO MFG.	30-Mar-14	49535	S. HEISH

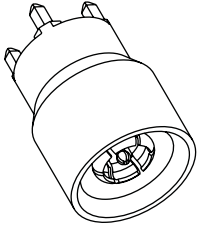
1. MATERIALS AND FINISHES:  
 BODY: BRASS, GOLD PLATING  
 CONTACT: BERYLLIUM COPPER, GOLD PLATING.  
 INSULATOR: PTFE

2. PHYSICAL:  
 A. OPERATING TEMPERATURE: -65°C to +165°C  
 B. DURABILITY: 100 MATING CYCLES MINIMUM  
 C. INTERFACE: PROPRIETARY AFI INTERFACE

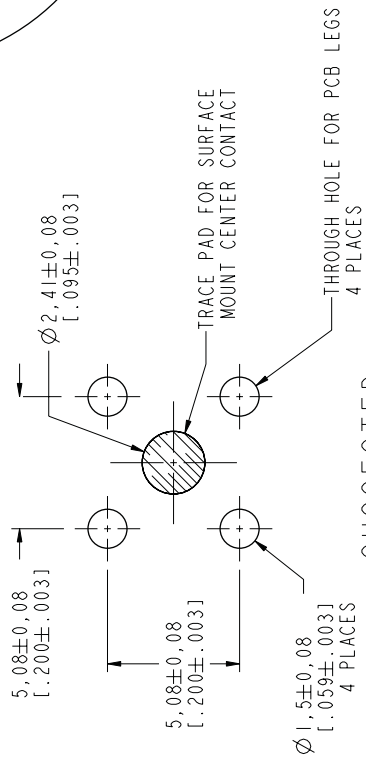
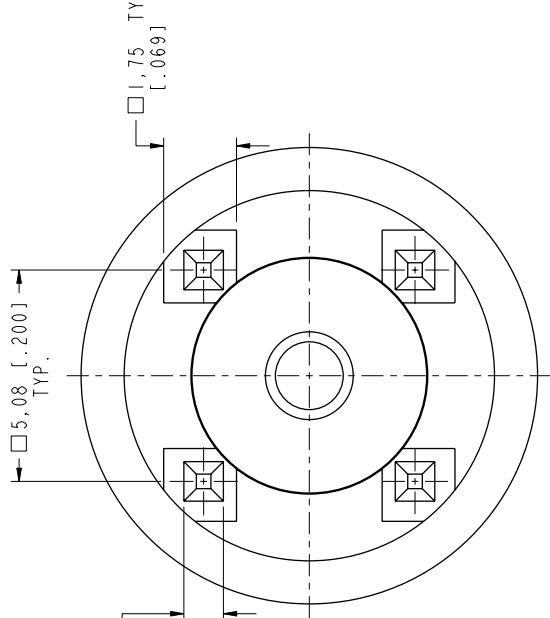
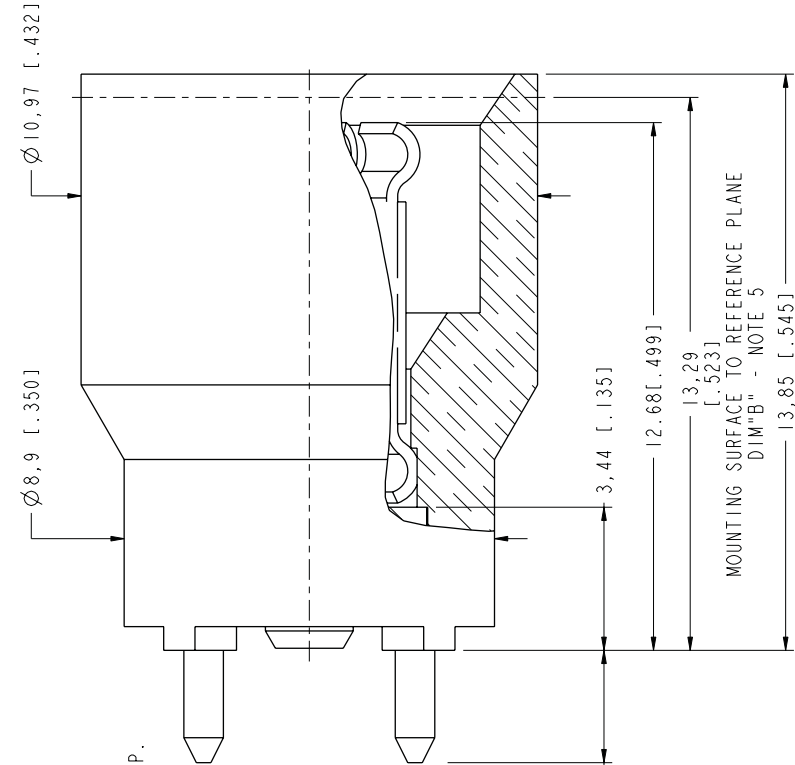
3. ELECTRICAL:  
 A. IMPEDANCE: 50 OHMS, NOMINAL  
 B. FREQUENCY RANGE: 0 TO 6 GHz  
 C. VSWR: 1.10 + 0.06 x F (GHz) MAX, FROM 0 TO 3 GHz  
 0.56 + 0.24 x F (GHz) MAX, FROM 3 TO 6 GHz  
 D. SEE 349-50861 FOR RECOMMENDED LAUNCH

4. PACKAGING:  
 A. SINGLE PACK IN BAG.  
 B. MARK BAG OR TAG: AMPHENOL RF  
 920-248P-51P  
 DATE CODE (YYWW)

5. ADD DIM "B" FROM PLUG AND DIM "A" FROM JACK OF TWO MATING CONNECTORS TO FIND THE NOMINAL BOARD-TO-BOARD SPACING. AXIAL FLOAT IS ±0.50 [0.020"] RADIAL FLOAT IS ±0.38 [0.015"]



SCALE 2.400



SUGGESTED PCB FOOTPRINT

UNLESS OTHERWISE SPECIFIED, DIMENSIONS ARE IN METRIC AND TOLERANCES ARE:  
 <math>0.5 - 6\text{mm}</math> ±0.1mm  
 <math>6 - 30\text{mm}</math> ±0.2mm  
 <math>30 - 120\text{mm}</math> ±0.3mm  
 ANGLES ±1°

NOTICE - These drawings, specifications, or other data (1) are, and remain the property of Amphenol Corp. (2) must be returned upon request; and (3) are confidential and not to be disclosed to any person other than those to whom they are given by Amphenol Corp. The furnishing of these drawings, specifications, or other data by Amphenol Corp., or to any other person in any manner, for any purpose is not to be regarded by implication or otherwise in any manner as licensing, granting any patent, or any other right in any person's manufacture, use or sale of any product, or permitting such product to be made, used, sold, or otherwise distributed, or disclosed by said drawings, specifications, or other data.

MATERIAL	SEE NOTES
REFERENCE	EAR # 3289
CONFIGURATION LEVEL:	□□□□
FINISH	

DRAWN	M. DONG	DATE	28-Mar-14
ENGINEER	T. SMITH	DATE	17-Aug-12
APPROVED	S. HEISH	DATE	30-Mar-14
CAD FILE			

TITLE	AFI STR PLUG PCB MOUNT
SCALE:	8.0:1.0 SHEET 2 OF 2
DWG SIZE	B
REV	A

Amphenol RF	www.amphenolrf.com
DRAWING NO. 920-248P-51P	
ITEM NO. 920-248P-51P	
PART NO. 920-248P-51P	

CUSTOMER OUTLINE DRAWING  
 ALL OTHER SHEETS ARE FOR INTERNAL USE ONLY