

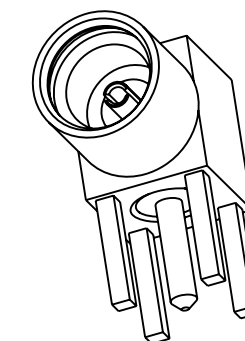
NOTES:

- I. MATERIALS AND FINISHES:
 BODIES - BRASS, GOLD PLATED
 CONTACT - BERYLLIUM COPPER, GOLD PLATED
 INSULATORS - PTFE, NATURAL

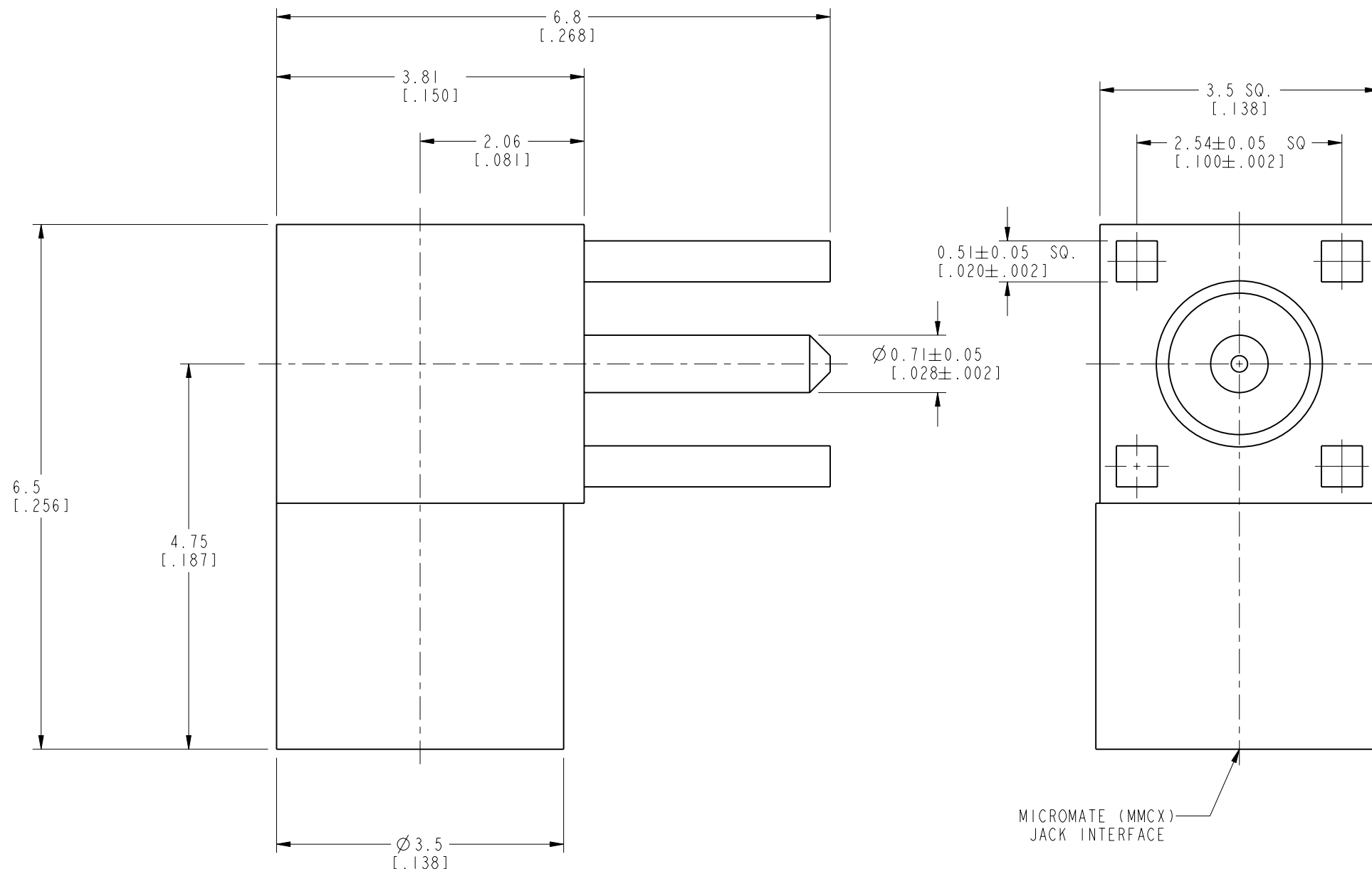
THIRD ANGLE PROJ.

REVISIONS

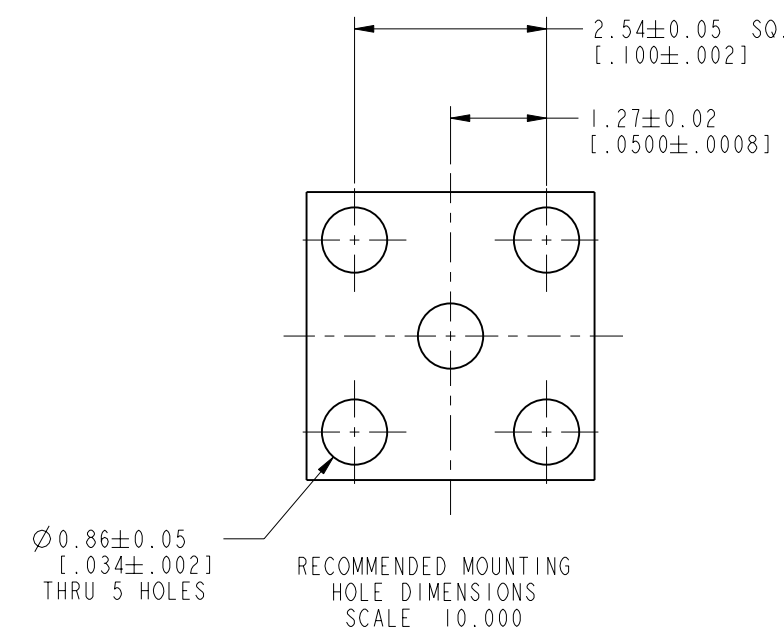
REV	DESCRIPTION	DATE	ECO	APPR
A	ENGINEERING RELEASE	7/25/97	42082	BCG/
B	ADD MOUNTING HOLE REF	1/27/06	45895	CPM
C	MOUNTING HOLES (5) WERE $\varnothing .031$	3/6/06	45920	CPM
D	RELEASE IN ARFA, UPDATE DRAWING	04-Jan-13	49376	DH
E	BODY, INSULATOR AND CONTACT WERE CHANGED	22-Dec-14	50315	SH



SCALE 5.000



MICROMATE (MMCX)
 JACK INTERFACE



RECOMMENDED MOUNTING
 HOLE DIMENSIONS
 SCALE 10.000

CUSTOMER OUTLINE DRAWING

ALL OTHER SHEETS ARE FOR INTERNAL USE ONLY

UNLESS OTHERWISE SPECIFIED, DIMENSIONS ARE IN METRIC AND TOLERANCES ARE:
 <0.5mm ± 0.05mm 0.5 - 6mm ± 0.1mm 6 - 30mm ± 0.2mm 30 - 120mm ± 0.3mm ANGLES ± 1°

NOTICE - These drawings, specifications, or other data (1) are, and remain the property of Amphenol corp. (2) must be returned upon request; and (3) are confidential and not to be disclosed to any person other than those to whom they are given by Amphenol Corp. the furnishing of these drawings, specifications, or other data by Amphenol Corp., or to any other person to anyone for any purpose is not to be regarded by implication or otherwise in any manner licensing, granting rights to permitting such holder or any other person to manufacture, use or sell any product, process or design, patented or otherwise, that may in any way be related to or disclosed by said drawings, specifications, or other data.

MATERIAL	DRAWN	DATE	TITLE	Amphenol RF
	TANGOR	22-Dec-14		
REFERENCE	ENGINEER	DATE	SCALE: 15.0:1.0 SHEET 2 OF 2	DRAWING NO. 908-24100
	B.GLEISSNER	04-Mar-97		ITEM NO. 908-24100
FINISH	APPROVED	DATE	DWG SIZE	PART NO. 908-24100
	S.HSIEH	22-Dec-14		
	CAD FILE		REV	
			E	