

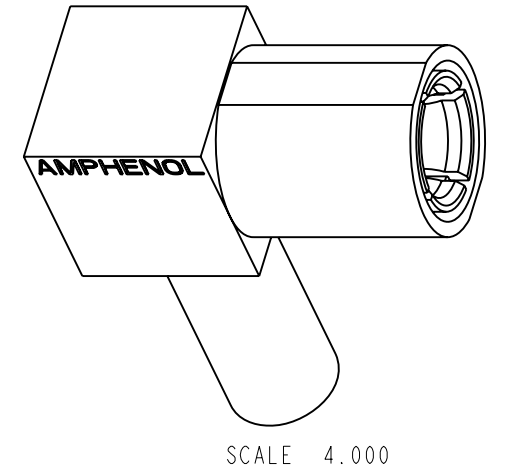
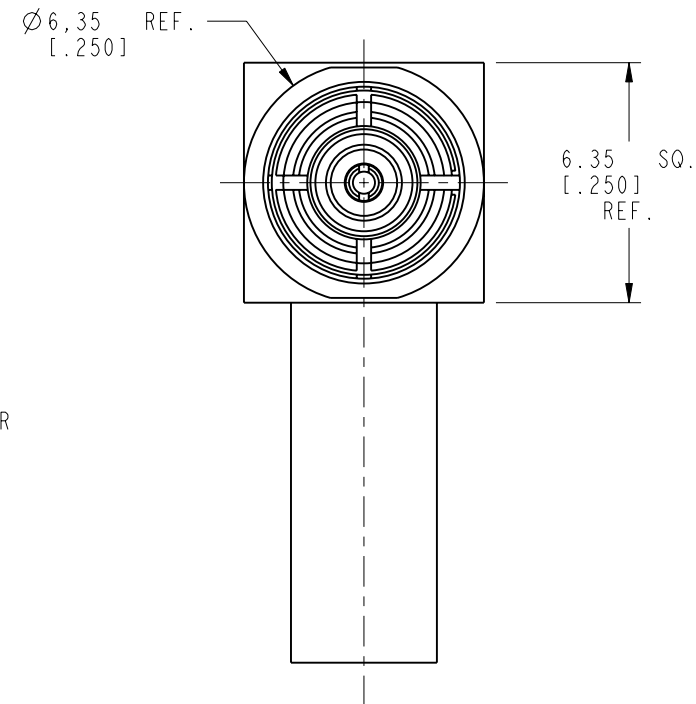
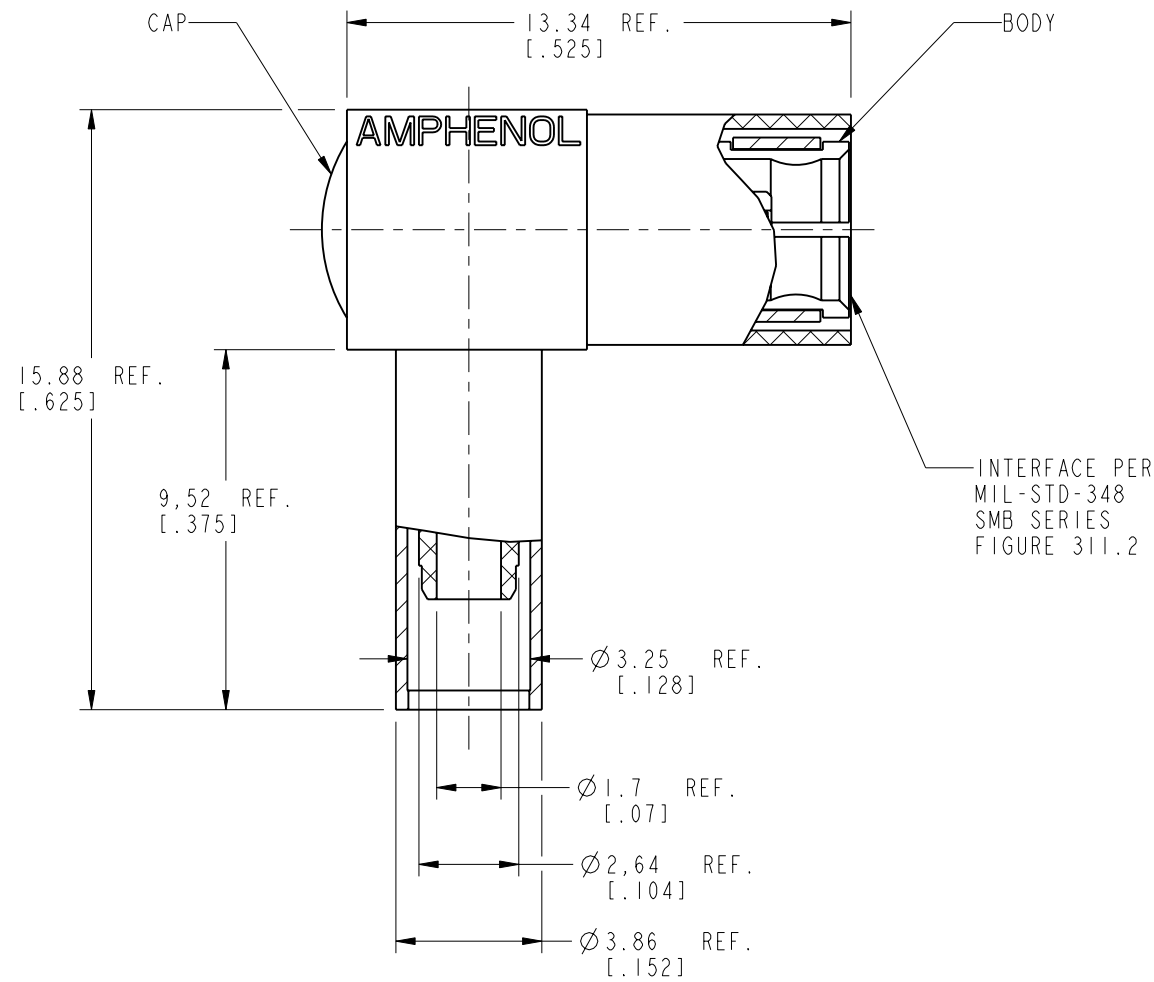
NOTES:

1. MATERIALS AND FINISHES:
 BODY- BRASS, GOLD PLATING
 HOUSING - ZINC DIECAST, NICKEL PLATING
 CONTACT - BERYLLIUM COPPER, GOLD PLATING
 INSULATOR - PTFE, NATURAL
2. ELECTRICAL:
 A. IMPEDANCE: 50 OHM
 B. FREQUENCY RANGE: DC 0 - 4 GHz
 C. VSWR(RETURN LOSS): 1.35+.04f(GHz), MAX.
 D. DIELECTRIC WITHSTANDING VOLTAGE: 1000 VRMS, MIN.
3. MECHANICAL:
 A. DURABILITY: 500 CYCLES MIN.
 B. TEMPERATURE RANGE: -65° C TO +165° C
4. FOR ASSEMBLY INSTRUCTIONS SEE AMPHENOL SPEC. 349-50521,SHEET 3

THIRD ANGLE PROJ.

REVISIONS

REV	DESCRIPTION	DATE	ECO	APPR
A	RELEASE TO MFG.	17-Apr-07	38489	SH
O	ADD NOTE 4/RD-DM08072901SI	08-Aug-08	47141	SH
R	CAP WAS CHANGED, BODY WAS CHANGED\RD-DM1103010IT1	15-Mar-11	48113	SH
T	ADDED THE BOM FOR CHINA	24-Oct-17	05562	SH



CUSTOMER OUTLINE DRAWING
 ALL OTHER SHEETS ARE FOR INTERNAL USE ONLY

UNLESS OTHERWISE SPECIFIED, DIMENSIONS ARE IN METRIC AND TOLERANCES ARE: <0.5mm ±0.05mm 0.5 - 6mm ±0.1mm 6 - 30mm ±0.2mm 30 - 120mm ±0.3mm ANGLES ±1°	MATERIAL	DRAWN M. ZHANG	DATE 23-Oct-17	TITLE SMB 50 OHM R/A PLUG FOR RG-316/U		Amphenol RF www.amphenolrf.com	
		ENGINEER P. BRENZEL	DATE 16-Sep-91				
NOTICE - These drawings, specifications, or other data (1) are, and remain the property of Amphenol corp. (2) must be returned upon request; and (3) are confidential and not to be disclosed to any person other than those to whom they are given by Amphenol Corp. the furnishing of these drawings, specifications, or other data by Amphenol Corp., or to any other person to anyone for any purpose is not to be regarded by implication or otherwise in any manner licensing, granting rights to permitting such holder or any other person to manufacture, use or sell any product, process or design, patented or otherwise, that may in any way be related to or disclosed by said drawings, specifications, or other data.	REFERENCE EAR 111-961389 2, GEN# ASSYM18.SMB 615X-963-100 AGILENT# 1250-0872 REV C CONFIGURATION LEVEL:	APPROVED S. HSIEH	DATE 23-Oct-17	SCALE: 5.0:1.0	SHEET 2 OF 2	DRAWING NO. 903-350P-51A1	ITEM NO. 903-350P-51A1
	FINISH	CAD FILE	DWG SIZE B	REV T	PART NO. 903-350P-51A1		