

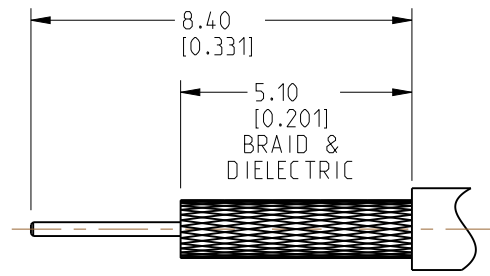
NOTES:

- MATERIALS AND FINISHES:**
 BODY & CONTACT - BeCu, GOLD PLATING
 BUSHING, BRAID CLAMP, CLAMP NUT &
 HEX NUT - BRASS, GOLD PLATING
 INSULATOR & INSULATOR REAR - PTFE, NATURAL
 GASKETS - SILICONE RUBBER, RED
 LOCK WASHER - STAINLESS STEEL, GOLD PLATING
- ELECTRICAL:**
 A. IMPEDANCE: 50 OHM
 B. FREQUENCY RANGE: DC - 11 GHz
- MECHANICAL:**
 A. DURABILITY: 500 CYCLES MIN.
 B. TEMPERATURE RANGE: -65°C TO +165°C

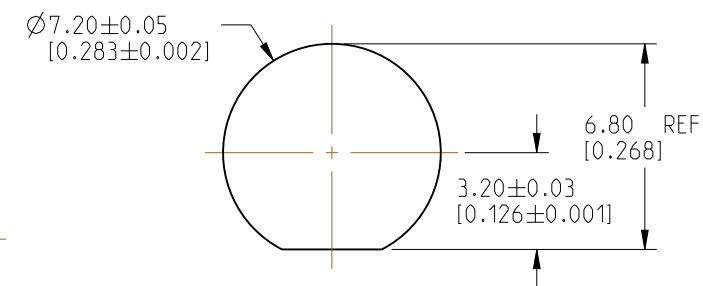
- PACKAGING:**
 A. QUANTITY: SINGLE PACK
 B. MARKING: PACKAGING TO BE MARKED
 "AMPHENOL RF, 901-255-11 AND DATE CODE"
- CABLE ASSEMBLY INSTRUCTIONS:**
 A. SEE SHEET 11 OF AMPHENOL SPECIFICATION 349-50114.

6 SHOWS CABLE ENTRY DIMENSIONS.

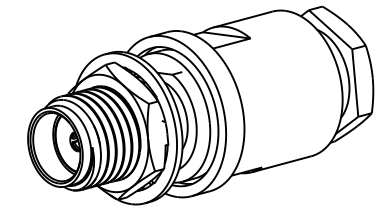
REVISIONS				
REV	DESCRIPTION	DATE	ECN	APPR
--	RELEASE TO MFG.	--	--	--
M	REDRAWN IN CREO & COD SHEET ADDED	23-SEP-20	15344	VK



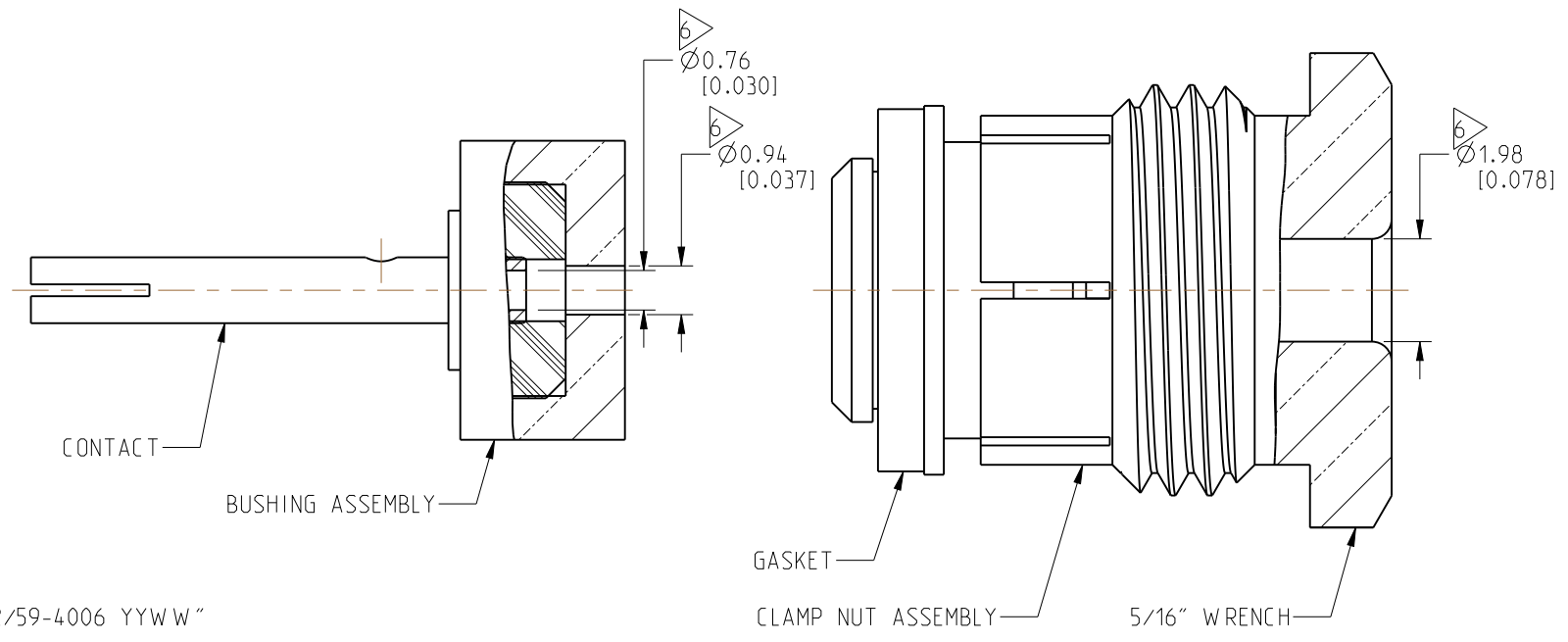
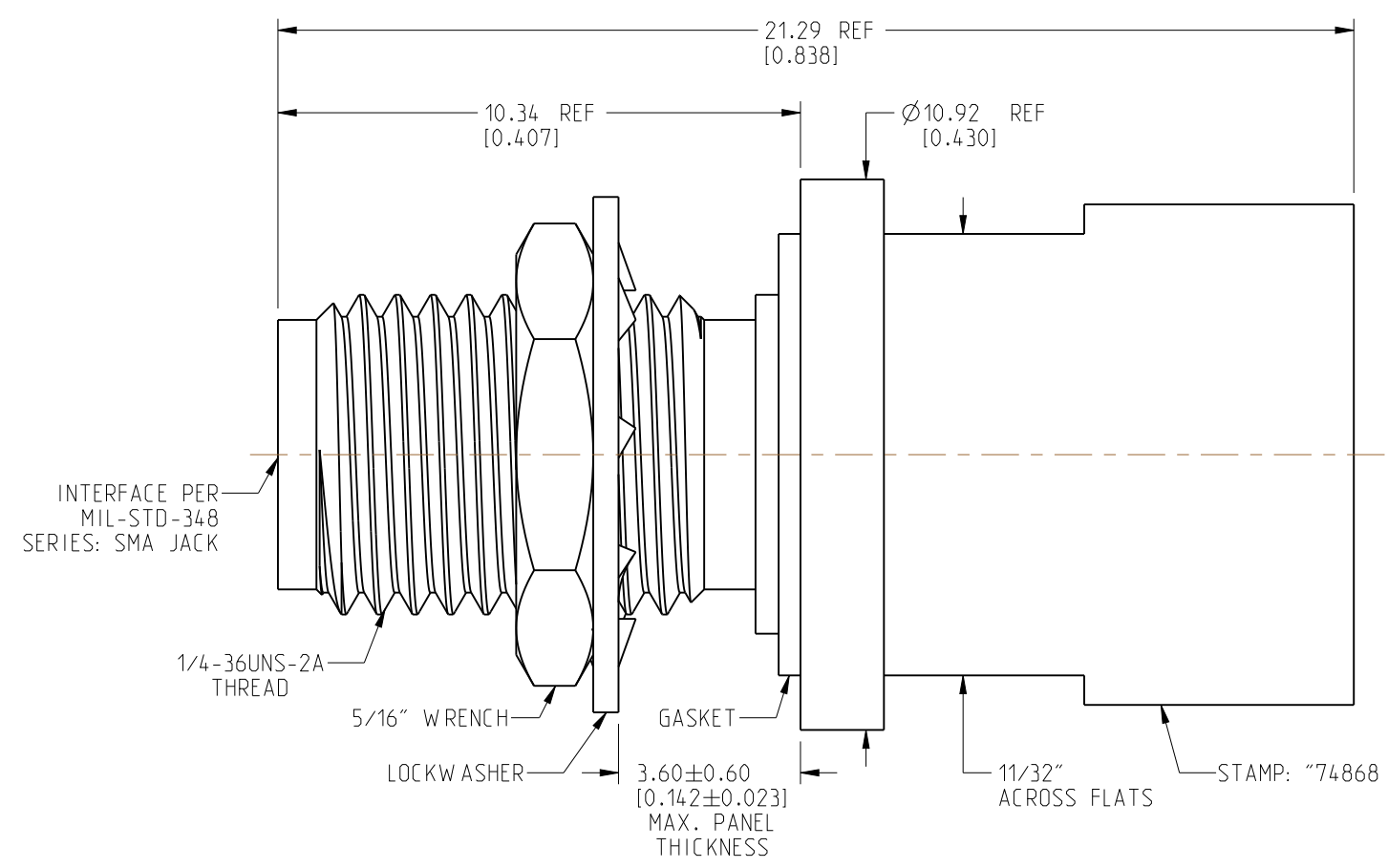
RECOMMENDED CABLE STRIPPING DIMENSIONS



RECOMMENDED MOUNTING HOLE DIMENSIONS



SCALE 2.000



MIL-C-39012 INSPECTION

THIS CONNECTOR IS COVERED BY U.S. PATENT 3,676,573 & 3,059,981

CUSTOMER OUTLINE DRAWING

ALL OTHER SHEETS ARE FOR INTERNAL USE ONLY

NOTICE: These drawings, specifications, or other data (1) are, and remain the property of Amphenol corp. (2) must be returned upon request; and (3) are confidential and not to be disclosed to any person other than those to whom they are given by Amphenol Corp. The furnishing of these drawings, specifications, or other data by Amphenol Corp., or to any other person to anyone for any purpose is not to be regarded by implication or otherwise in any manner licensing, granting rights to permitting such holder or any other person to manufacture, use or sell any product, process or design, patented or otherwise, that may in any way be related to or disclosed by said drawings, specifications, or other data.		UNLESS OTHERWISE SPECIFIED DIMENSIONS ARE METRIC (INCHES) AND TOLERANCES ARE: <0.5mm = ±0.05mm [-0.020 = ±0.002] >0.5 - 6mm = ±0.1mm [0.020 - 0.236 = ±0.004] >6.00 - 30mm = ±0.2mm [0.236 - 1.181 = ±0.008] >30.00 - 120mm = ±0.3mm [1.181 - 4.725 = ±0.012]		MATERIAL SEE NOTES		TITLE SMA STR BHD JACK WITH CAPTIVE CONTACT FOR RG 178B/U CABLE CLAMP TYPE		Amphenol RF	
THIRD ANGLE PROJ.		REFERENCE MIL-C-39012 / 59-4006		ENGINEER O.BARTHELMES		DATE 09-JUN-20		SHEET NO. 2 OF 2	
EAR#		ANGLES = ±1°		SCALE: 7.0:1.0		SIZE B		DRAWING NO. 901-255-11 ITEM NO. 901-255-11 PART NO. 901-255-11	
								REV M	