

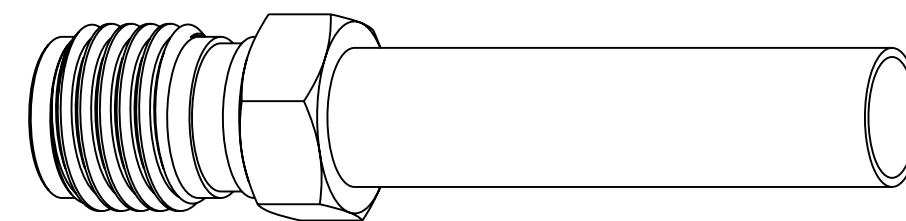
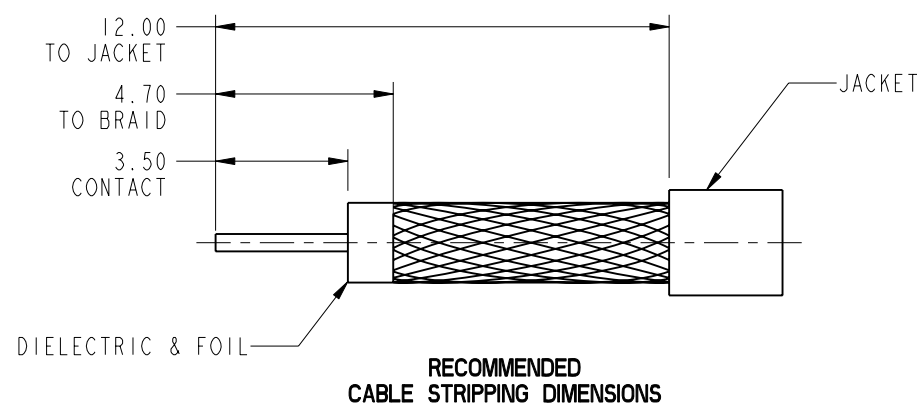
NOTES:

1. MATERIALS AND FINISHES:
 - BODY - BRASS, NICKEL PLATING
 - CONTACT - BeCu, GOLD PLATING
 - INSULATOR - PTFE, NATURAL
 - INSULATOR DISC - ULTEM, NATURAL
 - FERRULE - COPPER, NICKEL PLATING
 - HEAT SHRINK TUBE - POLYOEFIN, BLACK
2. ELECTRICAL:
 - A. IMPEDANCE: 50 OHM
 - B. FREQUENCY RANGE: DC - 12.4 GHz
 - C. VSWR : 1.10 MAX. DC - 6 GHz
1.20 MAX. 6 - 12.4 GHz
 - D. DIELECTRIC WITHSTANDING VOLTAGE: 500 VRMS, MIN.
3. MECHANICAL:
 - A. DURABILITY: 500 CYCLES MIN.
 - B. TEMPERATURE RANGE: -65° C TO +165° C
4. PACKAGING:
 - A. QUANTITY: SINGLE PACK
 - B. MARKING: BAG TO BE MARKED
"AMPHENOL RF, 901-10605, DATE CODE"
5. CABLE ASSEMBLY INSTRUCTIONS:
 - A. TRIM CABLE AS SHOWN, TAKING CARE TO NOT DAMAGE THE FOIL.
 - B. SLIDE INSULATOR DISC, FERRULE AND HEAT SHRINK TUBE ONTO CABLE
 - C. SOLDER CONTACT TO CABLE CENTER CONDUCTOR
 - D. INSERT CABLE AND CONTACT INTO CONNECTOR.
FOIL IS A SLIP FIT INTO Ø1.75 BODY DIAMETER
 - E. CRIMP FERRULE WITH .128" HEX

THIRD ANGLE PROJ.

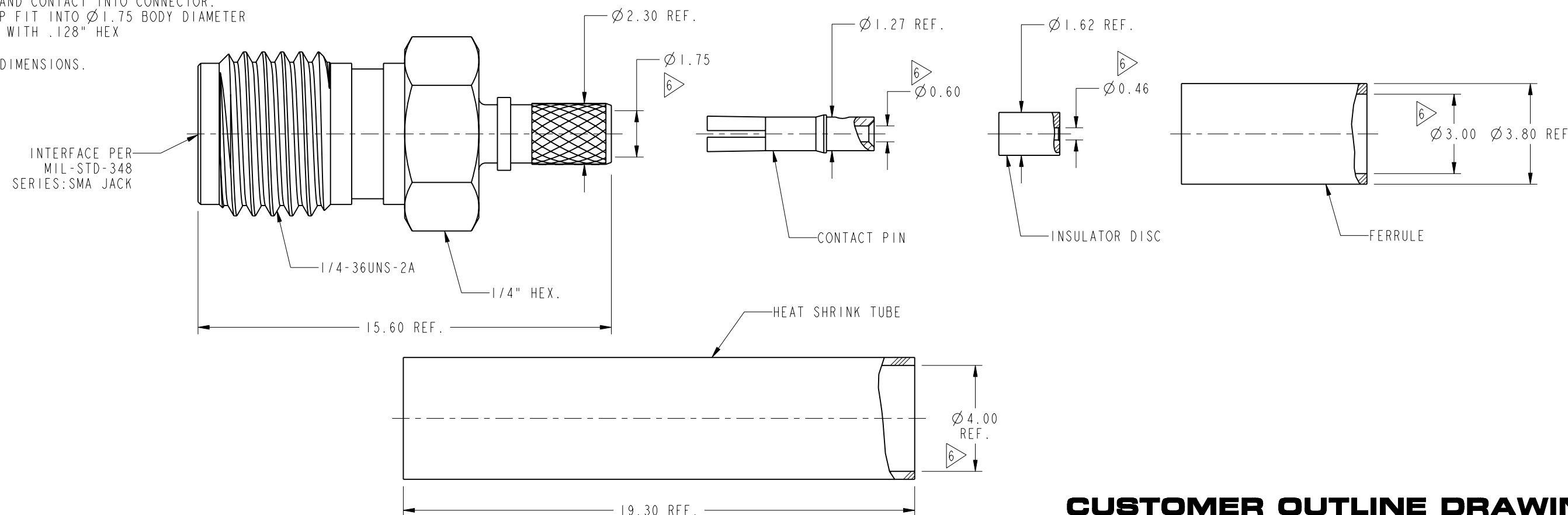
REVISIONS

| REV | DESCRIPTION | DATE | ECO | APPR |
|-----|--------------------------|-----------|-------|------|
| A | RELEASE TO MANUFACTURING | 07-May-19 | 11442 | CJV |
| B | NO CHANGE THIS SHEET | 03-Jun-19 | 11701 | CJV |



SCALE 4.000

SHOWS CABLE ENTRY DIMENSIONS.



CUSTOMER OUTLINE DRAWING

ALL OTHER SHEETS ARE FOR INTERNAL USE ONLY

| | | | | | | | |
|---|----------------------|-----------|-----------|--|---|---|--------------------|
| UNLESS OTHERWISE SPECIFIED, DIMENSIONS ARE IN METRIC AND TOLERANCES ARE: <0.5mm ±0.05mm 0.5 - 6mm ±0.1mm 6 - 30mm ±0.2mm 30 - 120mm ±0.3mm ANGLES ±1° | MATERIAL | DRAWN | DATE | TITLE SMA CRIMP JACK WITH LMR-100A CABLE | | Amphenol RF www.amphenolrf.com | |
| | SEE NOTES | W. ZENG | 04-Jun-19 | | | | |
| NOTICE - These drawings, specifications, or other data (1) are, and remain the property of Amphenol corp. (2) must be returned upon request; and (3) are confidential and not to be disclosed to any person other than those to whom they are given by Amphenol Corp. the furnishing of these drawings, specifications, or other data by Amphenol Corp., or to any other person to anyone for any purpose is not to be regarded by implication or otherwise in any manner licensing, granting rights to permitting such holder or any other person to manufacture, use or sell any product, process or design, patented or otherwise, that may in any way be related to or disclosed by said drawings, specifications, or other data. | REFERENCE | ENGINEER | DATE | SCALE: 6.0:1.0 SHEET 2 OF 2 | | DRAWING NO. 901-10605 ITEM NO. 901-10605 | |
| | EAR 7994 | S. DUAN | 23-May-19 | | | | |
| | CONFIGURATION LEVEL: | APPROVED | DATE | | DWG SIZE REV B B | | PART NO. 901-10605 |
| FINISH | S. HSIEH | 04-Jun-19 | | | | | |