

NOTES:

1. MATERIALS AND FINISH (IN MICRO-INCHES)

BODY = ZINC DIECAST (PER ASTM B86, UNS Z33520) ,
 MATTE TIN PL. 100 MIN.
 INSULATOR = PTFE PER ASTM D1710, COLOR: NATURAL
 HOUSING = PPE+PS, COLOR: PER TABLE
 FERRULE = COPPER (PER ASTM B15, UNS C11000 OR C12200)
 NICKEL PL. 100 MIN. THICK OVER COPPER STRIKE

CONTACT SUPPLIED SEPARATELY AS P/N:
 1. FKCP03302 (5,000 PCS. REEL), CRIMP AREA: NICKEL PLATED
 2. 923-10734 (5,000 PCS. REEL), CRIMP AREA: TIN PLATED
 C04 FERRULE MAY BE PURCHASED SEPARATELY AS P/N: FKFR00201A
 CABLE DEFINITIONS PER AMPHENOL REPORT DE825

2. ELECTRICAL:

A. IMPEDANCE: 50 OHM, NOMINAL
 B. FREQUENCY RANGE: DC-3.0 GHz
 C. VSWR(RETURN LOSS): 1.400 (-15.6dB), MAX. (DC-2.0 GHz)
 (MATED PAIR): 1.500 (-13.9dB), MAX. (2.0-3.0 GHz)
 D. D.W.V: 800 VRMS, MIN.

3. MECHANICAL:

A. DURABILITY: 100 CYCLES MIN.
 B. TEMPERATURE RANGE: -40° C TO 85° C
 C. USCAR-17 COMPLIANT
 D. INTERFACE PER DIN 72594-1

4. PACKAGING:

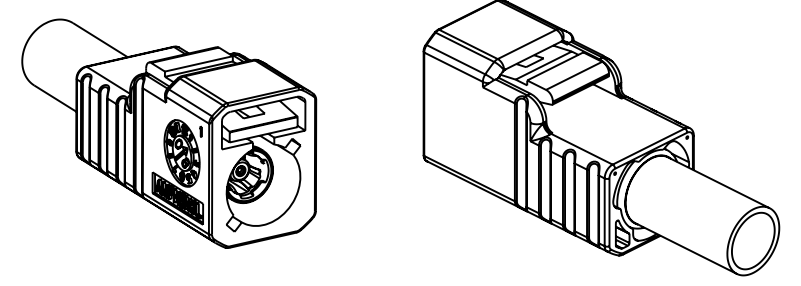
A. QUANTITY: TRAY PACK
 B. MARKING: TRAY TO BE MARKED
 "AMPHENOL, 3FAI-NXSJ-C04W0, AND DATE CODE"

5. CABLE ASSEMBLY INSTRUCTIONS
 PER 349-50801

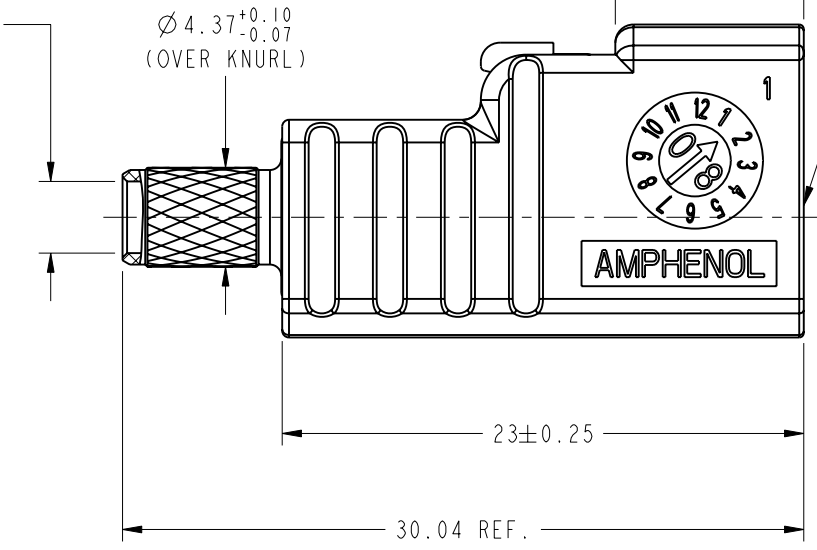
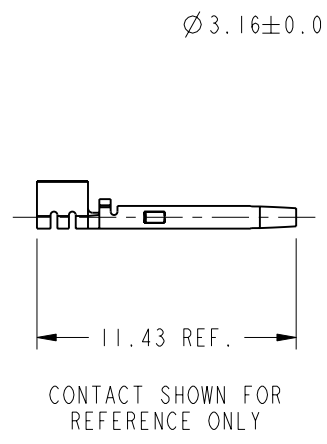
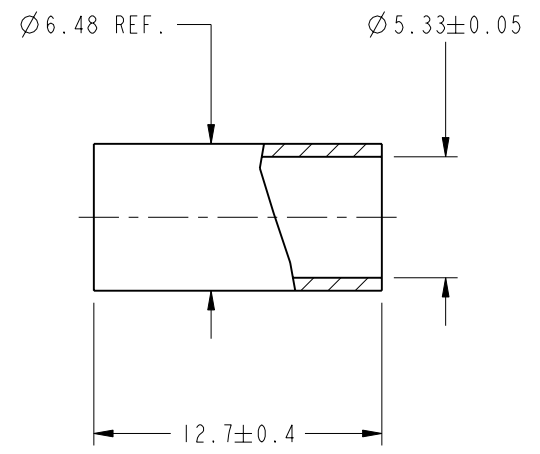
THIRD ANGLE PROJ.

REVISIONS

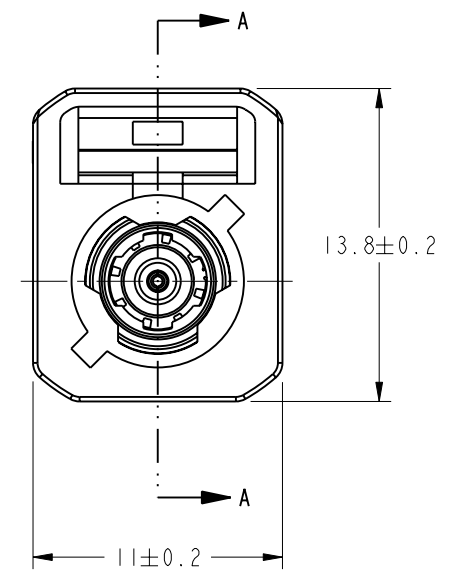
REV	DESCRIPTION	DATE	ECO	APPR
A	RELEASE TO MFG.	29-Dec-09	-----	SH
B	ADDED TIN PLATED CONTACT SELECTION IN NOTE 1	15-Mar-18	06181	HL



SCALE 1.500



SEE NOTE 3D



SEE TABLE FOR
 PART NUMBER, COLOR,
 AND KEY CODING
 - "C" KEYING SHOWN -

SECTION A-A

CODING	DRAWING NO.	COLOR	RAL NO.
A	3FAI-NASJ-C04W0	JET BLACK	9005
B	3FAI-NBSJ-C04W0	CREAM	9001
C	3FAI-NCSJ-C04W0	SIGNAL BLUE	5005
D	3FAI-NDSJ-C04W0	CLARET VIOLET	4004
E	3FAI-NESJ-C04W0	LEAF GREEN	6002
F	3FAI-NFSJ-C04W0	NUT BROWN	8011
G	3FAI-NGSJ-C04W0	BLUE GREY	7031
H	3FAI-NHSJ-C04W0	HEATHER VIOLET	4003
I	3FAI-NISJ-C04W0	BEIGE	1001
K	3FAI-NKSJ-C04W0	CURRY	1027
L	3FAI-NLSJ-C04W0	CARMINE RED	3002
M	3FAI-NMSJ-C04W0	PASTEL ORANGE	2003
N	3FAI-NNSJ-C04W0	PASTEL GREEN	6019
Z	3FAI-NZSJ-C04W0	WATER BLUE	5021

CONFIGURATION CONTROL:
 NO CHANGES PERMITTED TO DRAWING WITHOUT
 PPAP QUALIFIED CUSTOMER APPROVAL

CUSTOMER OUTLINE DRAWING
 ALL OTHER SHEETS ARE FOR INTERNAL USE ONLY

UNLESS OTHERWISE SPECIFIED, DIMENSIONS ARE IN METRIC AND TOLERANCES ARE:
 <0.5mm ±0.05mm 0.5 - 6mm ±0.1mm 6 - 30mm ±0.2mm 30 - 120mm ±0.3mm ANGLES ±1°

NOTICE - These drawings, specifications, or other data (1) are, and remain the property of Amphenol corp. (2) must be returned upon request; and (3) are confidential and not to be disclosed to any person other than those to whom they are given by Amphenol Corp. the finishing of these drawings, specifications, or other data by Amphenol Corp., or to any other person to anyone for any purpose is not to be regarded by implication or otherwise in any manner licensing, granting rights to permitting such holder or any other person to manufacture, use or sell any product, process or design, patented or otherwise, that may in any way be related to or disclosed by said drawings, specifications, or other data.

MATERIAL	DRAWN A. LIU	DATE 23-Sep-08	TITLE GEN 3.0 FAKRA JACK, C04 CABLE GROUP, TAPE AND REEL CONTACT (SUPPLIED SEPARATELY)	<p style="text-align: center;">Amphenol RF</p> Danbury CT USA, Tainan, Taiwan, Shenzhen, China www.amphenolrf.com
REFERENCE EAR # 2865 AND CONFIGURATION LEVEL: RELEASE	ENGINEER J. YANG	DATE 23-Sep-08	SCALE: 3.0:1.0 SHEET 2 OF 2	
FINISH	APPROVED S. HSIEH	DATE 22-Mar-18	DWG SIZE B	DRAWING NO. 3FAI-NXSJ-C04W0 ITEM NO. 3FAI-NXSJ-C04W0 PART NO. 3FAI-NXSJ-C04W0
	I:\FAKRA\3FAI-NXSJ-C04W0		REV B	