

NOTES:

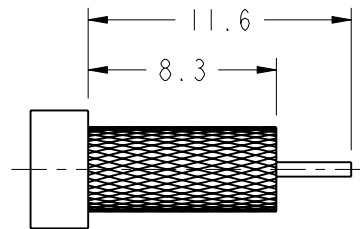
1. MATERIALS AND FINISHES(MICRO-INCHES)
 BODY = ZINC DIECAST (PER ASTM-B86, UNS Z33520) NICKEL PL. (150 MIN)
 THICK OVER COPPER PL. (100 MIN) THICK
 INSULATOR = PTFE PER DI710, COLOR: NATURAL.
 HOUSING = NYLON 46, 15% GLASS FILLED, PER KDF, AKROMID A GRADE
 A3GF14 COLOR PER AMPHENOL SPEC. 349-50688 (REFER TO TABLE
 BELOW FOR KEY CODE)
 FERRULE = COPPER (PER ASTM-B75 , UNS C11000 OR C12200)
 NICKEL PL. 100 MIN THICK. OVER COPPER STRIKE
 CONTACT SUPPLIED SEPARATELY AS P/N:
 1. FKCP03402 (5,000 PCS. REEL), CRIMP AREA: NICKEL PLATED
 2. 923-10736 (5,000 PCS. REEL), CRIMP AREA: TIN PLATED
 FERRULE MAY BE PURCHASED SEPARATELY AS P/N: FKFR00201A (100 PCS. TRAY)
2. ELECTRICAL:
 A. IMPEDANCE: 50 OHM, NOMINAL
 B. FREQUENCY RANGE: DC-4.0GHz
 C. VSWR(RETURN LOSS): 1.400 (-15.6dB), MAX.
 D. DIELECTRIC WITHSTANDING VOLTAGE: 800 VRMS, MIN.
3. MECHANICAL:
 A. DURABILITY: 100 CYCLES MIN.
 B. TEMPERATURE RANGE: -40° C TO 100° C
4. PACKAGING:
 A. QUANTITY: TRAY PACK
 B. MARKING: TRAY TO BE MARKED
 "AMPHENOL, 2FAI-NXSP-C04WI, AND DATE CODE"
5. A. CABLE ASSEMBLY INSTRUCTIONS AND FERRULE HEX CRIMP PER 349-50914.
 B. CRIMP CONTACT ONTO CABLE PER 349-50747

THIRD ANGLE PROJ.

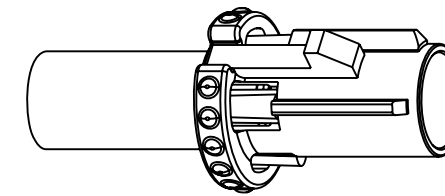
REVISIONS

REV	DESCRIPTION	DATE	ECO	APPR
A	RELEASE TO MFG.	11-Sep-18	-----	JY
B	CONTACT PN FROM FKCP03401A CHANGE TO FKCP03402	24-Sep-15	50760	RS
C	ADDED TIN PLATED CONTACT SELECTION IN MAT'L NOTES REPLACE FERRULE HEX CRIMP NOTE WITH 349-50914	02-May-18	08004	RD

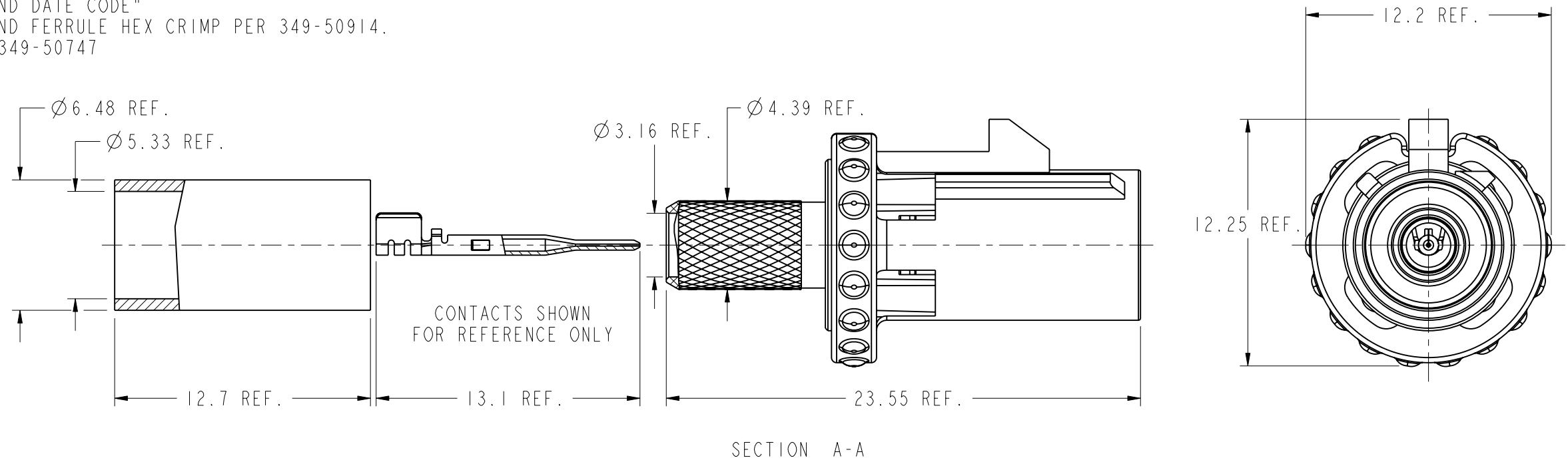
CONFIGURATION CONTROL:
 NO CHANGES PERMITTED TO DRAWING WITHOUT
 PPAP QUALIFIED CUSTOMER APPROVAL



**RECOMMENDED
CABLE STRIPPING DIM'S**



SCALE 2.000



CODING	DRAWING NO.	COLOR	RAL NO.
A	2FAI-NASP-C04WI	JET BLACK	9005
B	2FAI-NBSP-C04WI	CREAM	9001
C	2FAI-NCSP-C04WI	SIGNAL BLUE	5005
D	2FAI-NDSP-C04WI	CLARET VIOLET	4004
E	2FAI-NESP-C04WI	LEAF GREEN	6002
F	2FAI-NFSP-C04WI	NUT BROWN	8011
G	2FAI-NGSP-C04WI	BLUE GREY	7031
H	2FAI-NHSP-C04WI	HEATHER VIOLET	4003
I	2FAI-NISP-C04WI	BEIGE	1001
K	2FAI-NKSP-C04WI	CURRY	1027
L	2FAI-NLSP-C04WI	CARMINE RED	3002
M	2FAI-NMSP-C04WI	PASTEL ORANGE	2003
N	2FAI-NNSP-C04WI	PASTEL GREEN	6019
Z	2FAI-NZSP-C04WI	WATER BLUE	5021

CUSTOMER OUTLINE DRAWING
 ALL OTHER SHEETS ARE FOR INTERNAL USE ONLY

UNLESS OTHERWISE SPECIFIED, DIMENSIONS ARE IN METRIC AND TOLERANCES ARE: <0.5mm ±0.05mm 0.5 - 6mm ±0.1mm 6 - 30mm ±0.2mm 30 - 120mm ±0.3mm ANGLES ±1°	MATERIAL	DRAWN C. YU	DATE 24-Sep-15	TITLE FAKRA(GEN II) PLUG, C04 CABLE GROUP WITH STAMPED CONTACT	Amphenol RF www.amphenolrf.com
	REFERENCE EAR# 03142 AND	ENGINEER R. SHANG	DATE 24-Sep-15		
NOTICE - These drawings, specifications, or other data (1) are, and remain the property of Amphenol corp. (2) must be returned upon request; and (3) are confidential and not to be disclosed to any person other than those to whom they are given by Amphenol Corp. the furnishing of these drawings, specifications, or other data by Amphenol Corp., or to any other person to anyone for any purpose is not to be regarded by implication or otherwise in any manner licensing, granting rights to permitting such holder or any other person to manufacture, use or sell any product, process or design, patented or otherwise, that may in any way be related to or disclosed by said drawings, specifications, or other data.	CONFIGURATION LEVEL:	APPROVED S. HSIEH	DATE 09-May-18	SCALE: 4.0:1.0 SHEET 2 OF 2	ITEM NO. 2FAI-NXSP-C04WI
	FINISH	I:\FAKRA\2FAI-NXSP-C04WI	CAD FILE	DWG SIZE B	REV C