

NOTES:

1. MATERIALS AND FINISHES:

BODY - BRASS, GOLD PLATING
 CONTACT - BERYLLIUM COPPER, GOLD PLATING
 INSULATOR - PTFE, NATURAL

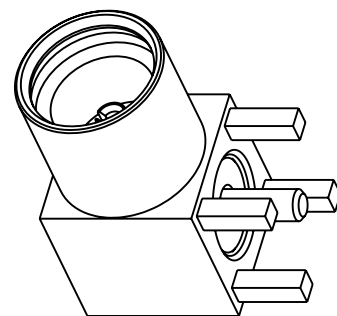
2. ELECTRICAL:

A. IMPEDANCE: 50 OHM
 B. FREQUENCY RANGE: DC - 6 GHz
 C. DIELECTRIC WITHSTANDING VOLTAGE: 500 VRMS, MIN.

3. MECHANICAL:

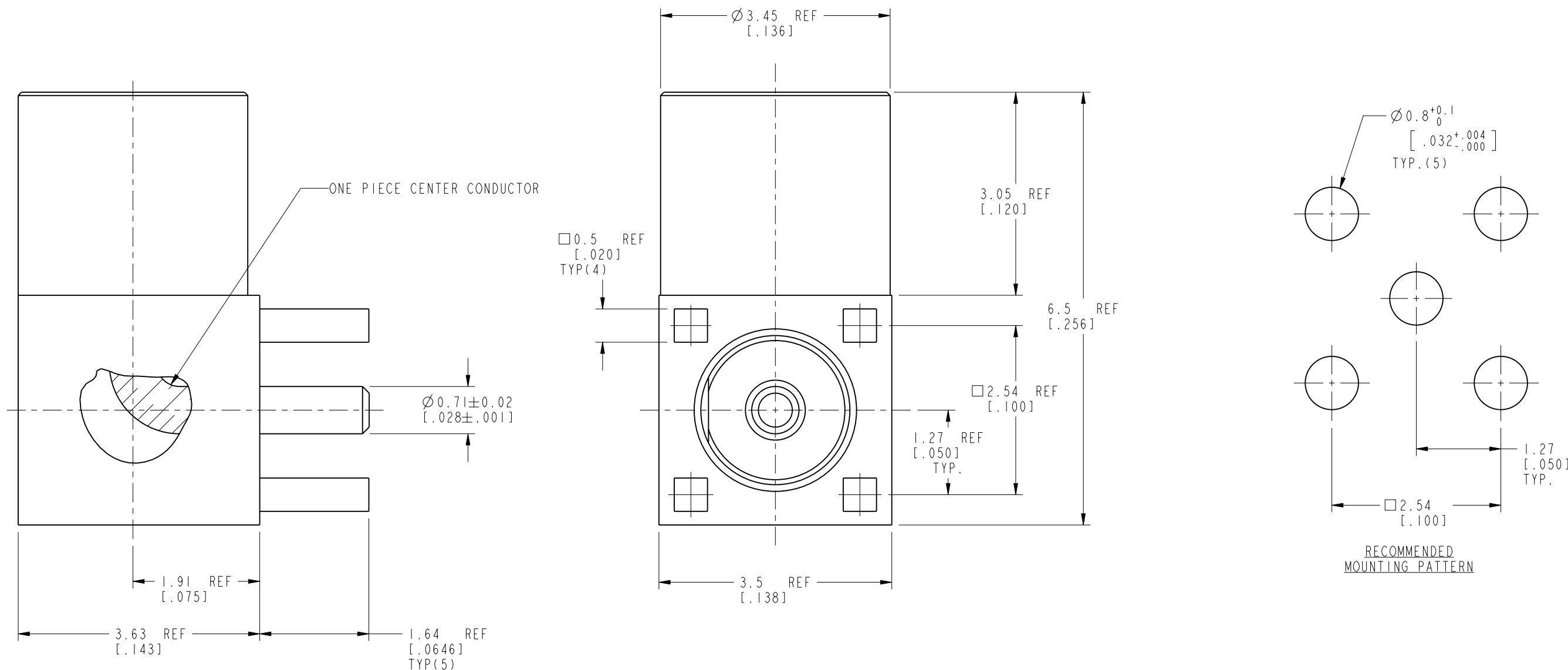
A. DURABILITY: 500 CYCLES MIN.
 B. TEMPERATURE RANGE: -65°C TO +165°C

THIRD ANGLE PROJ.



REVISIONS

| REV | DESCRIPTION | DATE | ECO | APPR |
|-----|--|-----------|-------|------|
| NC | INITIAL RELEASE | 01/18/12 | ----- | GRS |
| A | REVISED LEGS/CONTACT LENGTH, ADDED Ø0.8 +0.1/-0.0 TYP(5) | 01/30/12 | ----- | TD |
| B | SYNC, ADDED PACAGING NOTES ON SHEET 1, UPDATED DRAWING TEMPLATE\N/A | 29-Jun-16 | 01184 | SH |
| C | ADDED A D-FLAT INTO THE SMALL INSULATOR | 19-Jan-18 | 06601 | SH |



CUSTOMER OUTLINE DRAWING

ALL OTHER SHEETS ARE FOR INTERNAL USE ONLY

| | | | | | |
|---|--|-------------------|----------------|-----------------------------------|--|
| UNLESS OTHERWISE SPECIFIED, DIMENSIONS ARE IN METRIC AND TOLERANCES ARE: <0.5mm ±0.05mm 0.5 - 6mm ±0.1mm 6 - 30mm ±0.2mm 30 - 120mm ±0.3mm ANGLES ±1° | MATERIAL SEE NOTES | DRAWN M. ZHANG | DATE 19-Jan-18 | TITLE MMCX R/A PCB JACK | Amphenol RF www.amphenolrf.com |
| | | ENGINEER S. LI | DATE 02-Feb-12 | | |
| NOTICE - These drawings, specifications, or other data (1) are, and remain the property of Amphenol corp. (2) must be returned upon request; and (3) are confidential and not to be disclosed to any person other than those to whom they are given by Amphenol Corp. the furnishing of these drawings, specifications, or other data by Amphenol Corp., or to any other person to anyone for any purpose is not to be regarded by implication or otherwise in any manner licensing, granting rights to permitting such holder or any other person to manufacture, use or sell any product, process or design, patented or otherwise, that may in any way be related to or disclosed by said drawings, specifications, or other data. | REFERENCE AND CONFIGURATION LEVEL: In Work | APPROVED S. HSIEH | DATE 19-Jan-18 | SCALE: 15.0:1.0 SHEET 2 OF 2 | DRAWING NO. MMCX6252NI-010-3GT5GP-50 |
| | | FINISH | CAD FILE | DWG SIZE B | REV C |