

NOTES:

- MATERIALS AND FINISHES:
 FERRULE - BRASS, GOLD PLATING [3 MICRO INCH THICKNESS]
 BODY - BRASS, GOLD PLATING [3 MICRO INCH THICKNESS]
 RETAINER RING - BeCu, NATURAL
 CONTACT - BeCu, GOLD PLATING [30 MICRO INCH THICKNESS]
 INSULATOR - PTFE, NATURAL

- ELECTRICAL:
 A. IMPEDANCE: 50 OHM
 B. FREQUENCY RANGE: DC-2 GHz
 C. VSWR: 1.30 MAX.
 D. DIELECTRIC WITHSTANDING VOLTAGE: 1000 VRMS, MIN.

- MECHANICAL:
 A. DURABILITY: 500 CYCLES MIN.
 B. TEMPERATURE RANGE: -65° C TO 165° C

4. CRIMPED FERRULE HEX CRIMP SIZE .255"

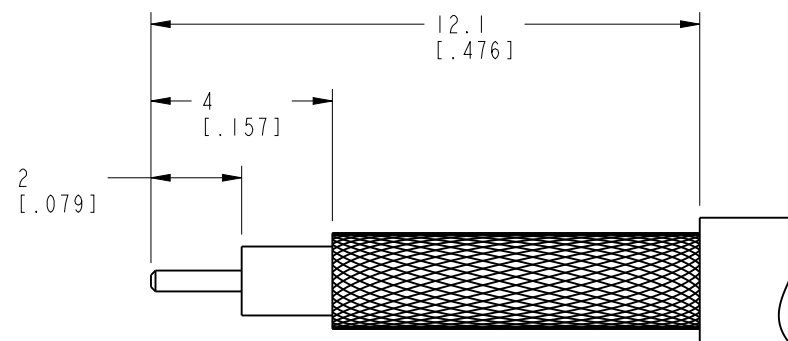
5. CONTACT PIN TO SOLDER

6 SHOWS CABLE ENTRY DIMENSION.

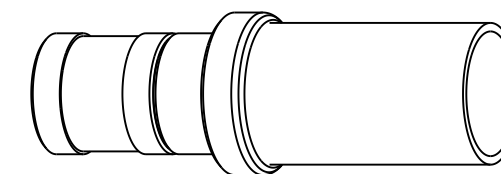
THIRD ANGLE PROJ.

REVISIONS

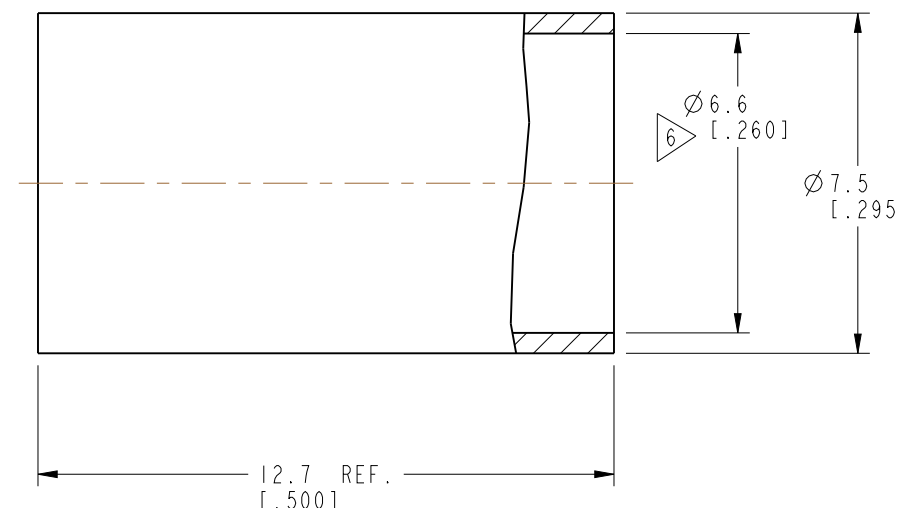
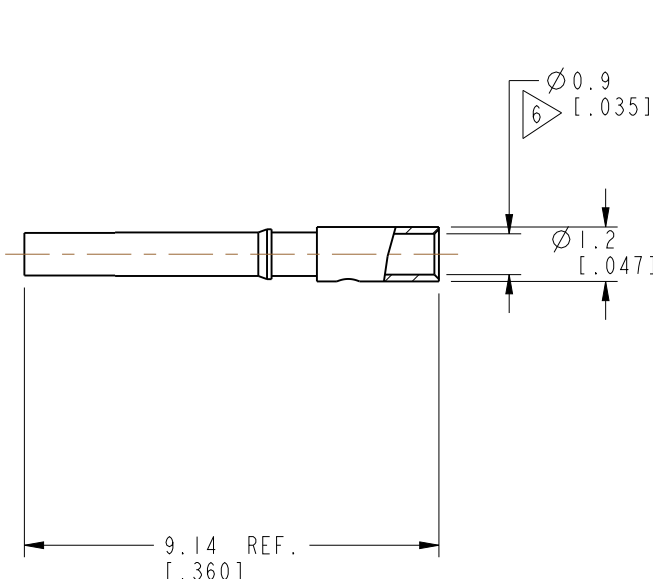
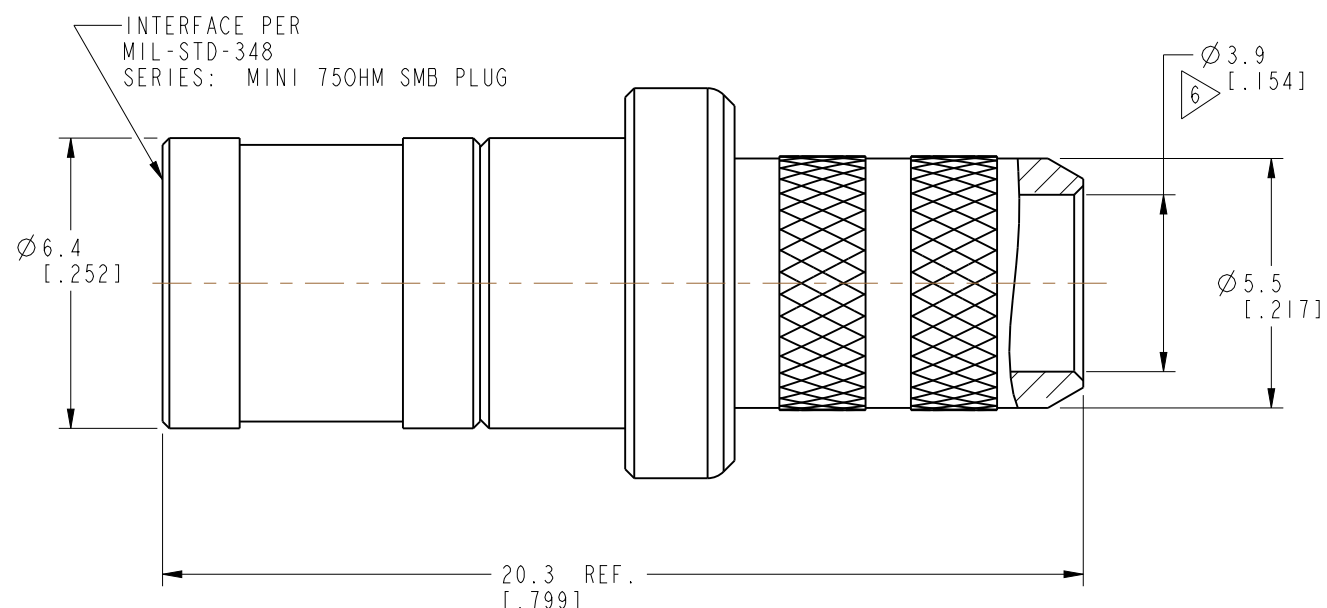
REV	DESCRIPTION	DATE	ECN	APPR
NC	UPDATE DRAWING FORMAT	17-Jan-06	----	GRS
B	REDRAWN IN PRO/E TO LATEST GLOBAL DRAWING FORMAT	08-May-19	12161	SS



RECOMMENDED CABLE STRIPPING DIMENSIONS



SCALE 2.500



CUSTOMER OUTLINE DRAWING

ALL OTHER SHEETS ARE FOR INTERNAL USE ONLY

UNLESS OTHERWISE SPECIFIED, DIMENSIONS ARE IN METRIC AND TOLERANCES ARE: <0.5mm ±0.05mm 0.5 - 6mm ±0.1mm 6 - 30mm ±0.2mm 30 - 120mm ±0.3mm ANGLES ±1°	MATERIAL	DRAWN	DATE	TITLE		Amphenol RF www.amphenolrf.com	
	SEE NOTES	M. ZHANG	08-May-19	MINI 750HM SMB CRIMP PLUG (FOR RG-59/U 20AWG CABLE)			
NOTICE - These drawings, specifications, or other data (1) are, and remain the property of Amphenol corp. (2) must be returned upon request; and (3) are confidential and not to be disclosed to any person other than those to whom they are given by Amphenol Corp. the furnishing of these drawings, specifications, or other data by Amphenol Corp., or to any other person to anyone for any purpose is not to be regarded by implication or otherwise in any manner licensing, granting rights to permitting such holder or any other person to manufacture, use or sell any product, process or design, patented or otherwise, that may in any way be related to or disclosed by said drawings, specifications, or other data.	REFERENCE	ENGINEER	DATE	SCALE: 6.0:1.0 SHEET 2 OF 2		DRAWING NO. SMB6111AC-3GT30G-59U/20AWG-75	
	EAR# ---	GRS	17-Jan-06			ITEM NO. 126111ABD52GE7F	
	REF:	APPROVED	S. HSIEH	DATE			PART NO. 142335-75
	CONFIGURATION LEVEL: In Work	CAD FILE		08-May-19			
FINISH				DWG SIZE	REV		
				B	B		