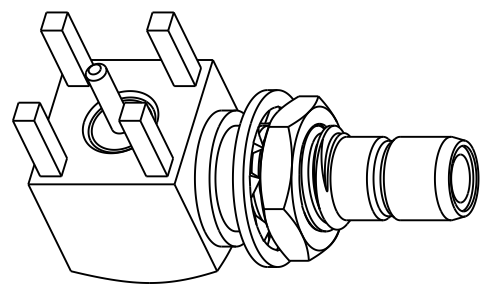
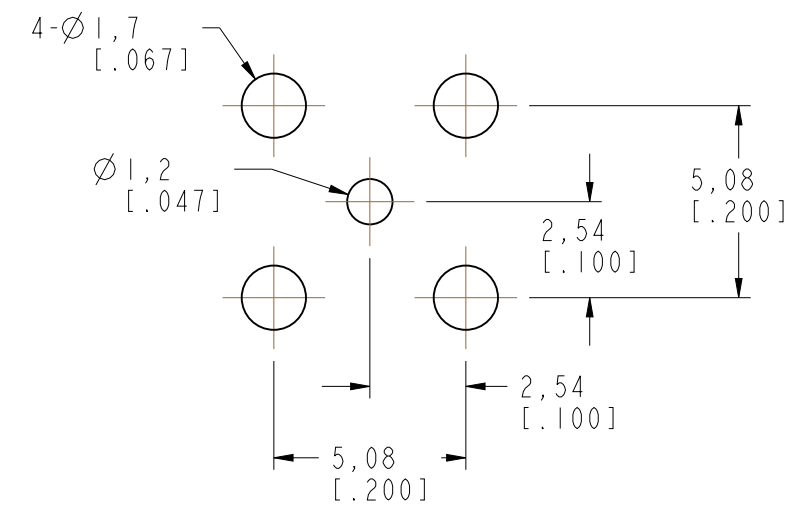
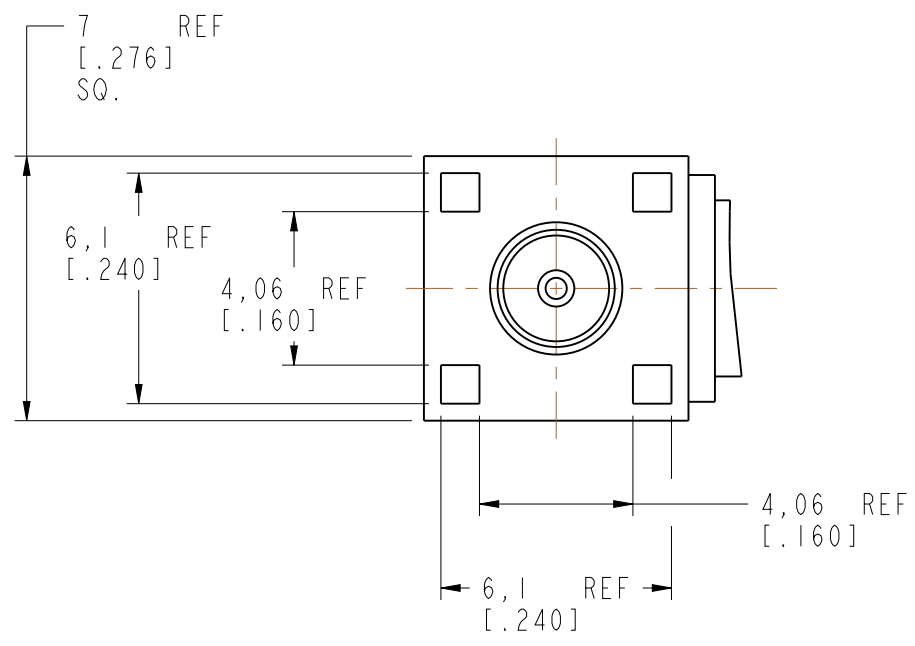
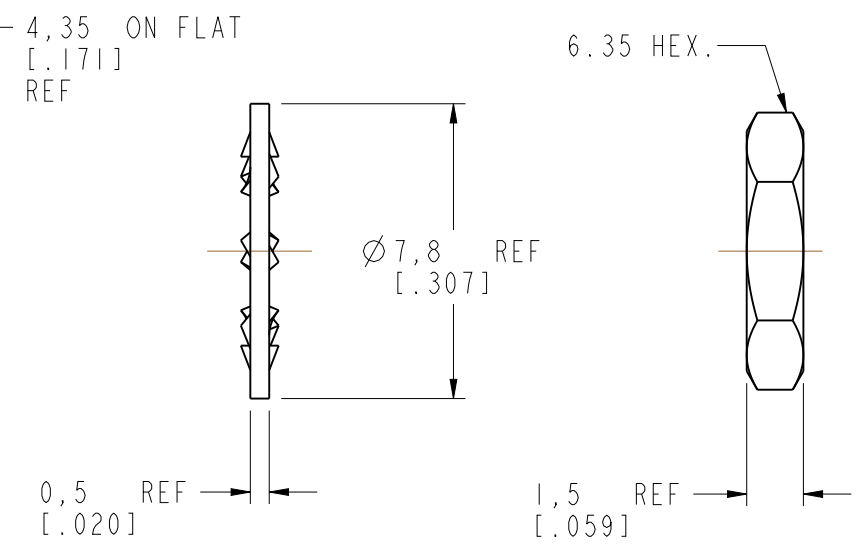
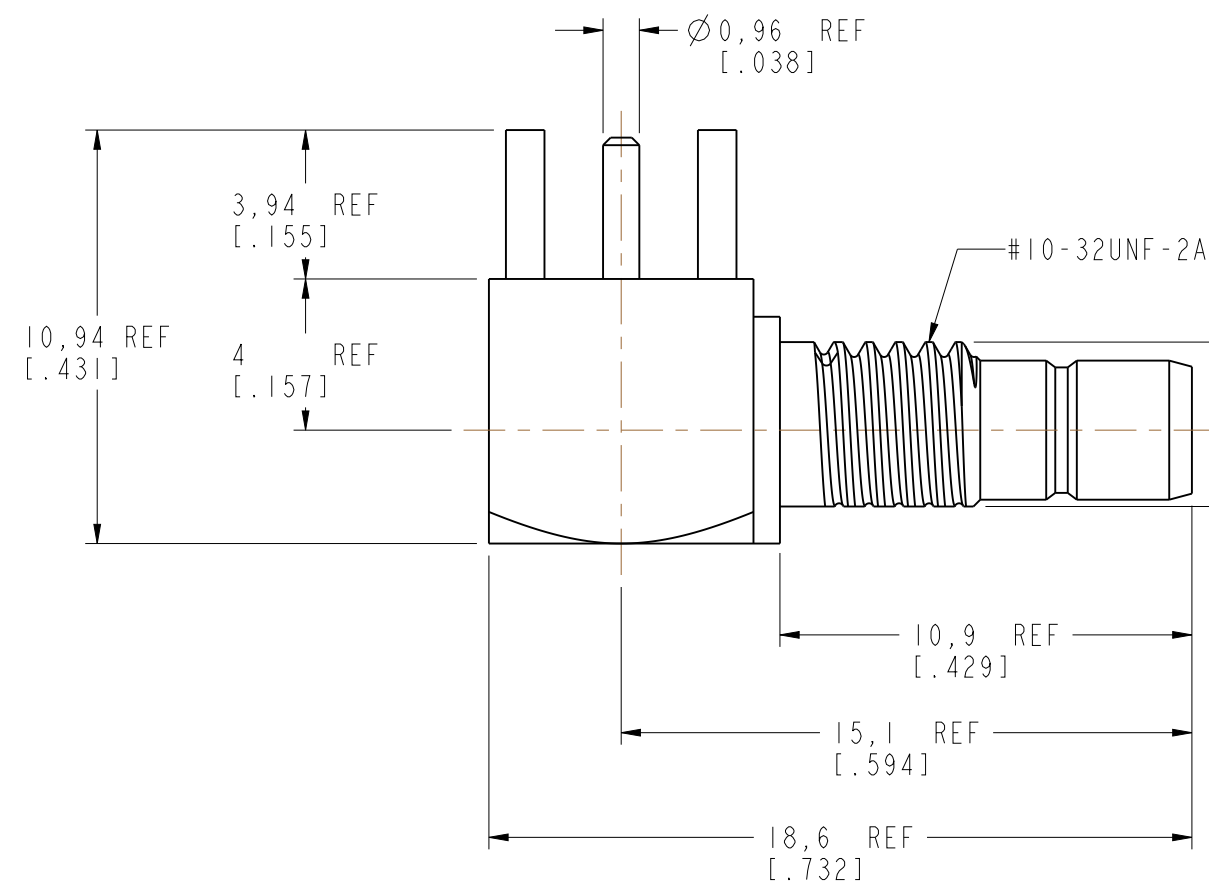


- NOTES:
- MATERIAL AND FINISH
 BODY - BRASS, GOLD PLATING
 CONTACT - BRASS, GOLD PLATING
 INSULATOR - PTFE, NATURAL
 - ELECTRICAL:
 A. IMPEDANCE: 50 OHM
 B. FREQUENCY RANGE: 0-4 GHz
 C. DIELECTRIC WITHSTANDING VOLTAGE: 750 VRMS. MIN.
 - MECHANICAL:
 A. DURABILITY: 500 CYCLES MIN.
 B. TEMPERATURE RANGE: -65°C TO +165°C
 - PACKAGING
 A. SINGLE PACK.
 B. BAG TO BE MARKED "AMPHENOL RF,
 142184
 SMB74971-001-3GT30G-50
 DATE CODE"

REVISIONS				
REV	DESCRIPTION	DATE	ECN	BY
A	RELEASE TO MFG.	25-FEB-02		TONY
B	ADD PART NO, UPDATE BODIES	10-DEC-20	15470	EW



SCALE 3.000



CUSTOMER OUTLINE DRAWING
 ALL OTHER SHEETS ARE FOR INTERNAL USE ONLY

NOTICE: These drawings, specifications, or other data (1) are, and remain the property of Amphenol corp. (2) must be returned upon request; and (3) are confidential and not to be disclosed to any person other than those to whom they are given by Amphenol Corp. The furnishing of these drawings, specifications, or other data by Amphenol Corp., or to any other person to anyone for any purpose is not to be regarded by implication or otherwise in any manner licensing, granting rights to permitting such holder or any other person to manufacture, use or sell any product, process or design, patented or otherwise, that may in any way be related to or disclosed by said drawings, specifications, or other data.		UNLESS OTHERWISE SPECIFIED DIMENSIONS ARE METRIC (INCHES) AND TOLERANCES ARE: <0.5mm = ±0.05mm [± 0.002] >0.5 - 6mm = ±0.1mm [± 0.004 - ± 0.008] >6.00 - 30mm = ±0.2mm [± 0.008 - ± 0.012] >30.00 - 120mm = ±0.3mm [± 0.012 - ± 0.015]		MATERIAL ENGINEER E.W.U		TITLE SMB R/A PCB MOUNT JACK DATE 5-DEC-20		SHEET NO. 2 OF 2 SCALE: 5.0:1.0		DRAWING NO. SMB74971-001-3GT30G-50 ITEM NO. 127497AAAA1GE5F PART NO. 142184		Amphenol RF REV B	
THIRD ANGLE PROJ.		REFERENCE		EAR# EAR #		ANGLES = ±1°							